

VI45G

FEATURES

- Rigorously tested for decades of use
- Exceptional support from our Customer Care team in Madison
- Powerful blower options
- Four LED lights with two brightness settings
- Front-mounted electronic controls
- Telescoping chimney reaches standard ceiling heights
- Dishwasher-safe filters
- Heavy-duty stainless steel

ACCESSORIES

- 300 CFM Internal Blower
- 600 CFM Internal Blower
- Flue Extension
- Recirculating Filter
- Recirculating Kit
- Remote Control

Accessories available through an authorized dealer.
For local dealer information, visit subzero-wolf.com/locator.



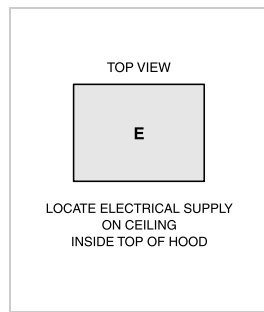
BLOWER OPTIONS

- 300 CFM Internal
- 600 CFM Internal
- 600 CFM Inline
- 600 CFM Remote

PRODUCT SPECIFICATIONS

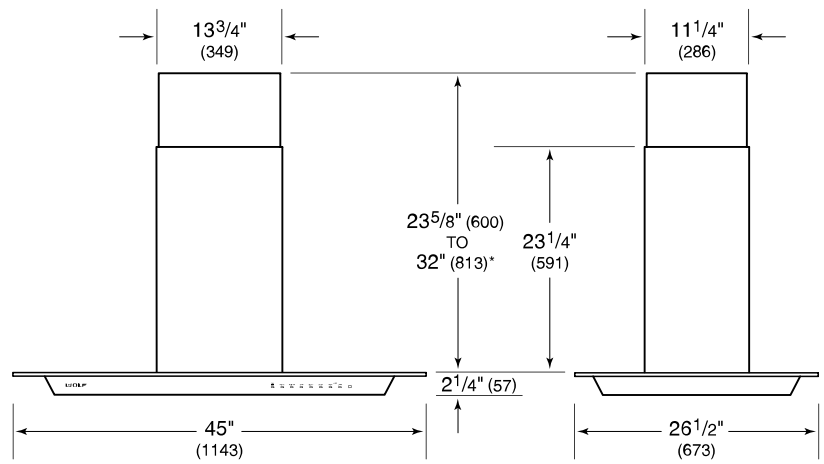
Model	VI45G
Dimensions	45"W x 2 1/4"H x 26 1/2"D
Weight	92 lbs
Electrical Supply	110/120 VAC, 60 Hz
Electrical Service	15 amp dedicated circuit
Discharge Location	Vertical
Discharge Dimensions	6" Round
Bottom of Hood to Countertop	24" to 36"
Receptacle	3-prong grounding-type

ELECTRICAL



NOTE: Dimensions in parenthesis are in millimeters unless otherwise specified

DIMENSIONS



*46¹/₄" (1175) to 55" (1397) with accessory flue extension.