

**VI42S**

**FEATURES**

- Rigorously tested for decades of use
- Exceptional support from our Customer Care team in Madison
- Heavy-gauge stainless steel
- Powerful blower options
- Four LED lights with two brightness settings
- Front-mounted electronic controls
- Dishwasher-safe filters
- Telescoping chimney reaches standard ceiling heights

**ACCESSORIES**

- 1200 CFM Remote Blower
- 300 CFM Internal Blower
- 600 CFM Internal Blower
- Flue Extension
- Recirculating Filter
- Recirculating Kit
- Remote Control

Accessories available through an authorized dealer.  
For local dealer information, visit [subzero-wolf.com/locator](http://subzero-wolf.com/locator).



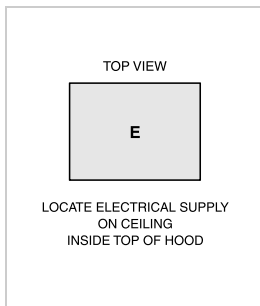
**BLOWER OPTIONS**

- 300 CFM Internal
- 600 CFM Internal
- 600 CFM Inline
- 600 CFM Remote
- 1200 CFM Remote

**PRODUCT SPECIFICATIONS**

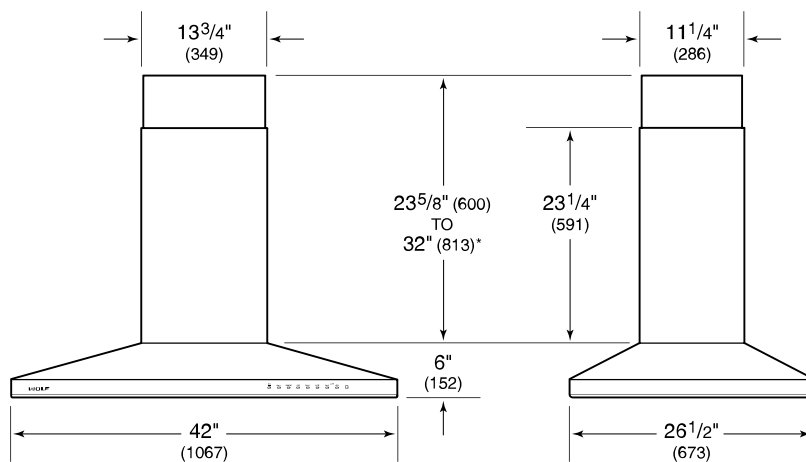
Model	VI42S
Electrical Supply	110/120 VAC, 60 Hz
Electrical Service	15 amp dedicated circuit
Discharge Dimensions	6" Round
Bottom of Hood to Countertop	24" to 36"
Receptacle	3-prong grounding-type

**ELECTRICAL**



**NOTE:** Dimensions in parenthesis are in millimeters unless otherwise specified

**DIMENSIONS**



\*46<sup>1</sup>/<sub>4</sub>" (1175) to 55" (1397) with accessory flue extension.