

DD45

FEATURES

Rigorously tested for decades of use

Exceptional support from our Customer Care team in Madison

Rises 14 inches to whisk away smoke and odors

Lowers when not in use

Heavy-gauge stainless steel

Remote control operation from up to 9' away

Blower required (internal, in-line or remote blowers available)

Delay-off feature

Delay-off feature shuts off blower after approximately 5 minutes

Reversible motor box can be installed on either side of the downdraft

Adjustable discharge lets you negotiate around ducting

ACCESSORIES

10" Round Inline Damper

1200 CFM Remote Blower

600 CFM Internal Blower

8" Round Inline Damper

Make-Up Air Damper

Recirculating Filter

Recirculating Kit

Accessories available through an authorized dealer.

For local dealer information, visit subzero-wolf.com/locator.



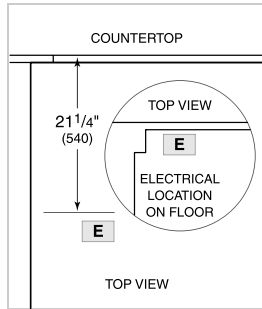
BLOWER OPTIONS

- 600 CFM Internal
- 600 CFM Inline
- 600 CFM Remote
- 1200 CFM Remote

PRODUCT SPECIFICATIONS

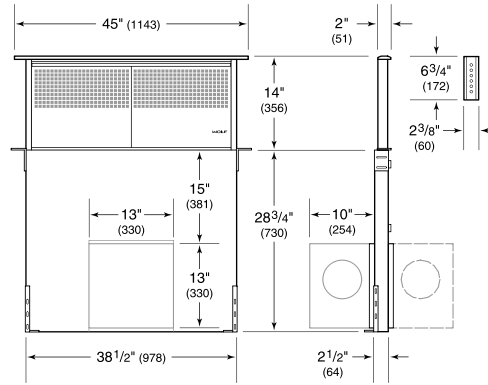
Model	DD45
Dimensions	45"W x 14"H x 2"D
Weight	85 lbs
Electrical Supply	110/120 VAC, 60 Hz
Electrical Service	15 amp dedicated circuit
Discharge Location	Vertical or Horizontal
Discharge Dimensions	6" round internal or 10" round inline or remote
Receptacle	3-prong grounding-type

ELECTRICAL



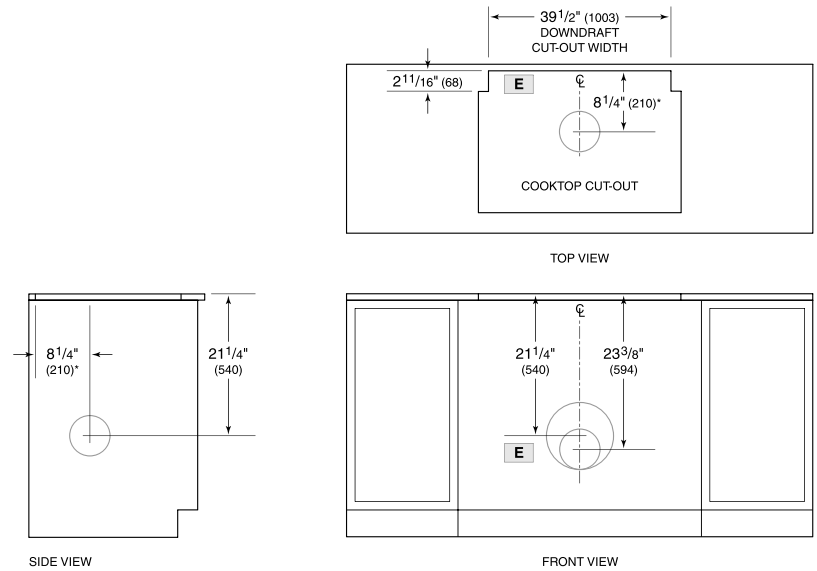
NOTE: Dimensions in parenthesis are in millimeters unless otherwise specified

DIMENSIONS



NOTE: Shown with front mounted internal blower with 6" (152) round discharge, dashed line represents rear mount.

STANDARD INSTALLATION



NOTE: 6" (152) back from countertop cut-out when internal blower is rear mounted.

NOTE: Internal blower 6" (152) round, side, rear or bottom discharge. In-line and remote blower 10" (254) round, rear discharge. Centerline indicates center of downdraft cut-out.