

SRT486G



## FEATURES

Rigorously tested for decades of use

Exceptional support from our Customer Care team in Madison

Signature red infinite control knobs

Dual-stacked burners go from 20,000 Btu down to a mere breath of flame

Heavy-gauge stainless steel

Spark ignition system re-ignites if flame goes out

Continuous cast-iron grates for easy movement of pots and pans

6 dual-stacked burners plus 15,000 Btu infrared griddle

## ACCESSORIES

2-Burner Wok Grate

809710-11" Cutting Board

Filler Trim

Griddle Ceaning Pads

Griddle Cleaning Kit

Griddle Cleaning Solution

S-Grates

Stainless steel, brass or chrome bezels

High altitude conversion kit

5" and 10" stainless steel risers, and 20" riser with shelf

Signature red, black or stainless steel control knobs

Accessories available through an authorized dealer.

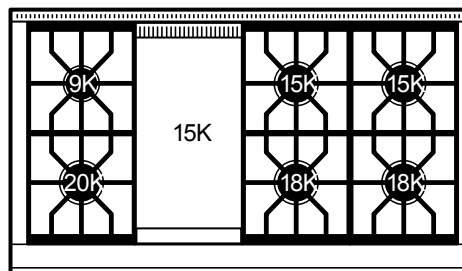
For local dealer information, visit [subzero-wolf.com/locator](http://subzero-wolf.com/locator).



## KNOB OPTIONS



## TOP CONFIGURATION



## RANGETOP SPECIFICATIONS

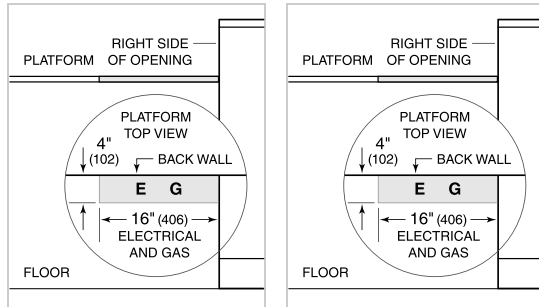
- 1 - 9,200 Btu Burner
- 2 - 15,000 Btu Burners
- 2 - 18,000 Btu Burners
- 1 - 20,000 Btu Burner
- 1 - 15,000 Btu (13,000 Btu LP) Griddle

**PRODUCT SPECIFICATIONS**

Model	SRT486G
Dimensions	47 7/8"W x 8 1/2"H x 28 1/2"D
Weight	280 lbs
Electrical Supply	110/120 VAC, 60 Hz
Electrical Service	15 amp dedicated circuit
Gas Supply	3/4" ID line
Gas Inlet	1/2" NPT female
Receptacle	3-prong grounding-type

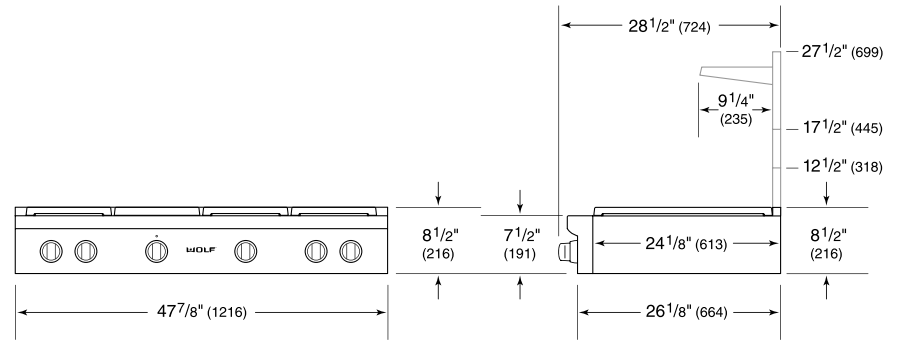
**ELECTRICAL**

**GAS**

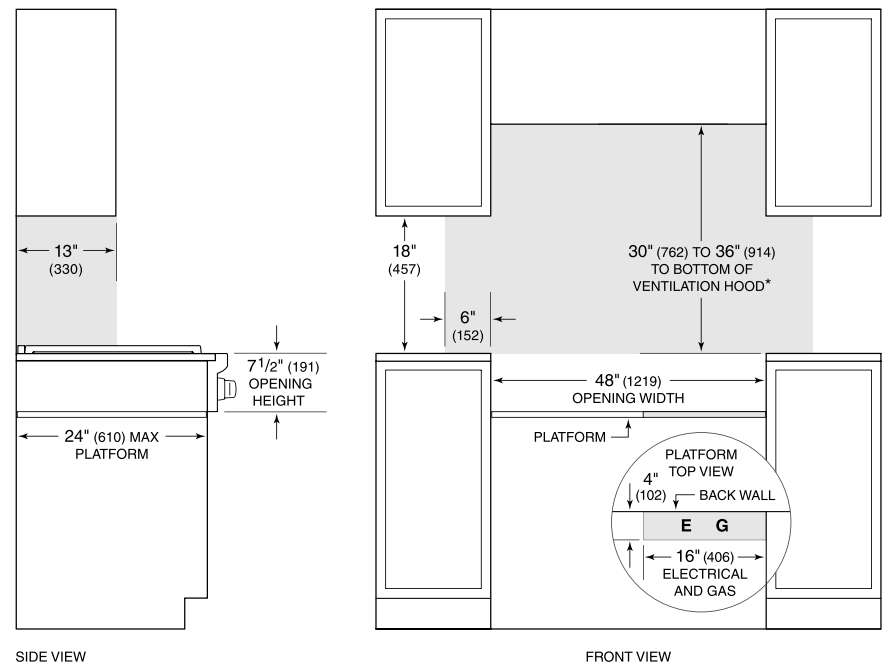


NOTE: Dimensions in parenthesis are in millimeters unless otherwise specified

**DIMENSIONS**



**STANDARD INSTALLATION**



SIDE VIEW

FRONT VIEW

\*Without ventilation hood, 36" (914) minimum clearance countertop to combustible materials, 44" (118) for charbroiler.

NOTE: Shaded area above countertop indicates minimum clearance to combustible surfaces, combustible materials cannot be located within this area.

Electrical and gas supply located through bottom of platform.

For island installation, 12" (305) minimum clearance back of range to combustible rear wall above countertop.