

OG 54

FEATURES

- _____ Rigorously tested for decades of use
- _____ Exceptional support from our Customer Care team in Madison
- _____ Utilizes both direct and radiant heat for more thorough grilling
- _____ Six individually contained grill burners for versatile cooking
- _____ Infrared sear zone seals in juices and flavors
- _____ Available built-in only
- _____ Two-position rotisserie handles foods big and small
- _____ Halogen lights for night-time grilling
- _____ Double-wall hood front holds in heat
- _____ Hood assist system makes opening and closing easy
- _____ Three-position warming rack for the exact temperature you want
- _____ Electric hot surface ignition for reliable start ups
- _____ Stainless steel burner grates

ACCESSORIES

- _____ 30" Access Doors
- _____ 36" Access Doors
- _____ 42" Access Doors
- _____ 54" Access Doors
- _____ 54" Grill Liner
- _____ Access Door - Left Hinge
- _____ Access Door - Right Hinge
- _____ Black Knobs
- _____ Built-In Cover
- _____ Combo Door and Drawer
- _____ Double Storage Drawer
- _____ Griddle Plate
- _____ Paper Towel Drawer
- _____ Rotisserie Conversion
- _____ Single Drawer Storage
- _____ Triple Storage Drawer
- _____ Stainless steel doors and drawers for built-in enclosure

Accessories available through an authorized dealer.
For local dealer information, visit subzero-wolf.com/locator.



KNOB OPTIONS



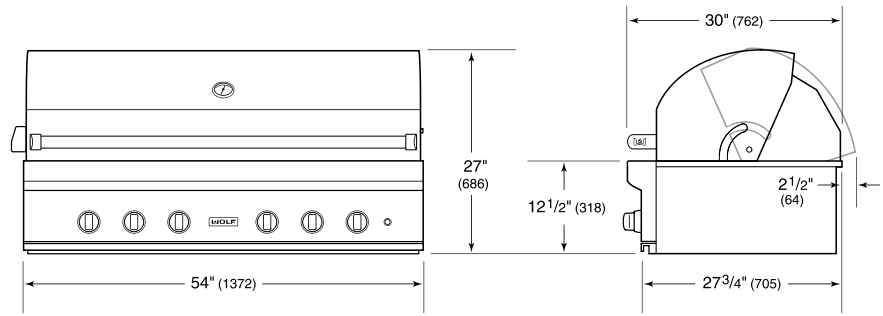
GRILL SPECIFICATIONS

- 3 - 25,500 Btu Burners
- 1 - 25,500 Sear Burner
- 2 - 14,000 Btu Rotisserie Burners

PRODUCT SPECIFICATIONS

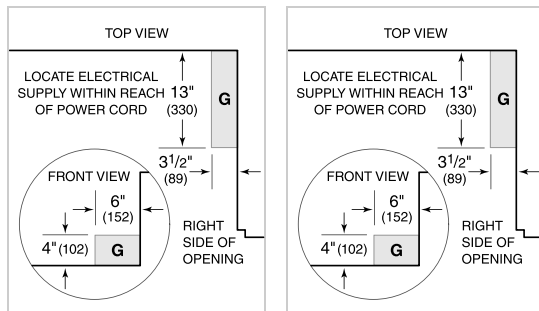
Model	OG54
Dimensions	54"W x 27"H x 30"D
Weight	350 lbs
Electrical Supply	120 VAC, 60 Hz
Electrical Service	15 amp dedicated circuit
Gas Supply	3/4" ID line
Gas Inlet	1/2" NPT female
Power Cord Length	5 Feet
Receptacle	3-prong grounding-type

DIMENSIONS



ELECTRICAL

GAS



NOTE: Dimensions in parenthesis are in millimeters unless otherwise specified