

## OG 36

## FEATURES

- \_\_\_\_\_ Rigorously tested for decades of use
- \_\_\_\_\_ Exceptional support from our Customer Care team in Madison
- \_\_\_\_\_ Three individually contained grill burners and one rotisserie burner for versatile cooking
- \_\_\_\_\_ Utilizes both direct and radiant heat for more thorough grilling
- \_\_\_\_\_ Infrared sear zone seals in juices and flavors
- \_\_\_\_\_ Two-position rotisserie handles foods big and small
- \_\_\_\_\_ Halogen lights for night-time grilling
- \_\_\_\_\_ Double-wall hood front holds in heat
- \_\_\_\_\_ Hood assist system makes opening and closing easy
- \_\_\_\_\_ Three-position warming rack for the exact temperature you want
- \_\_\_\_\_ Stainless steel burner grates
- \_\_\_\_\_ Heavy-duty stainless steel construction
- \_\_\_\_\_ Available built-in or freestanding
- \_\_\_\_\_ Three individually contained grill burners and one rotisserie burner for versatile cooking

## ACCESSORIES

- \_\_\_\_\_ 30" Access Doors
- \_\_\_\_\_ 36" Access Doors
- \_\_\_\_\_ 36" Grill Liner
- \_\_\_\_\_ 42" Access Doors
- \_\_\_\_\_ 54" Access Doors
- \_\_\_\_\_ Access Door - Left Hinge
- \_\_\_\_\_ Access Door - Right Hinge
- \_\_\_\_\_ Black Knobs
- \_\_\_\_\_ Built-In Cover
- \_\_\_\_\_ Cart Cover
- \_\_\_\_\_ Combo Door and Drawer
- \_\_\_\_\_ Double Storage Drawer
- \_\_\_\_\_ Griddle Plate
- \_\_\_\_\_ Paper Towel Drawer
- \_\_\_\_\_ Rotisserie Conversion
- \_\_\_\_\_ Single Drawer Storage
- \_\_\_\_\_ Triple Storage Drawer
- \_\_\_\_\_ Stainless steel portable grill cart with fold-down side shelves
- \_\_\_\_\_ Stainless steel doors and drawers for built-in enclosure

Accessories available through an authorized dealer.  
For local dealer information, visit [subzero-wolf.com/locator](http://subzero-wolf.com/locator).



## KNOB OPTIONS



## GRILL SPECIFICATIONS

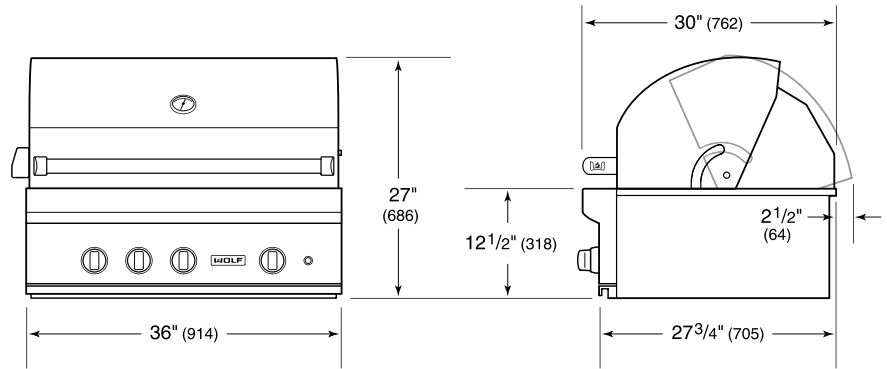
- 2 - 25,000 Btu Burners
- 1 - 25,000 Sear Burner
- 1 - 14,000 Btu Rotisserie Burner



**PRODUCT SPECIFICATIONS**

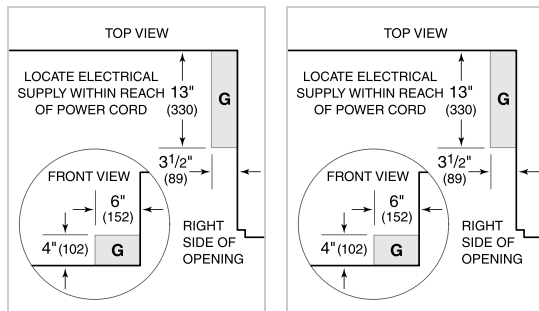
Model	OG36
Dimensions	36"W x 27"H x 30"D
Weight	247 lbs
Electrical Supply	120 VAC, 60 Hz
Electrical Service	15 amp dedicated circuit
Gas Supply	3/4" ID line
Gas Inlet	1/2" NPT female
Power Cord Length	5 Feet
Receptacle	3-prong grounding-type

**DIMENSIONS**



**ELECTRICAL**

**GAS**



**NOTE:** Dimensions in parenthesis are in millimeters unless otherwise specified