

MD30TE/S

FEATURES

20% larger interior capacity

Classic stainless steel

Control panel lock

Installs standard or flush inset

10 power levels and sensor cooking for easy meals

Rigorously tested in our U.S. manufacturing facilities for decades of use

Exceptional 24/7 support from our Customer Care team in Madison

"Keep Warm" mode

ACCESSORIES

Air vent for flush inset installations

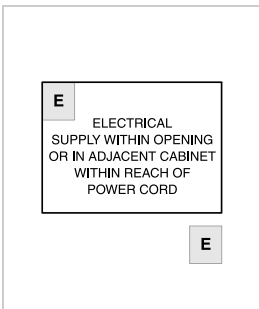
Accessories available through an authorized Sub-Zero dealer.
For local dealer information, visit subzero-wolf.com/locator.



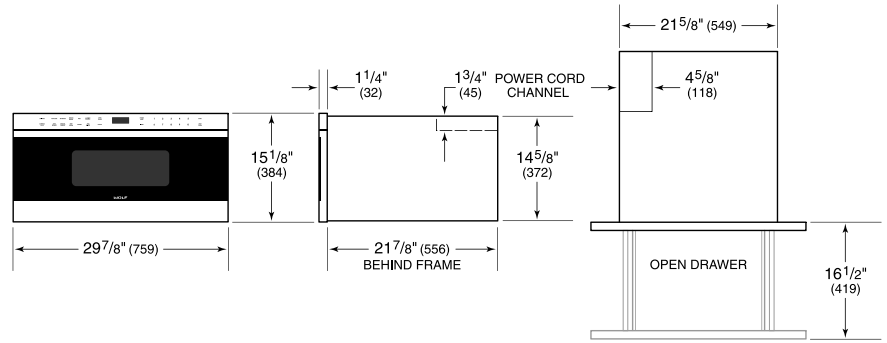
PRODUCT SPECIFICATIONS

Model	MD30TE/S
Dimensions	29 7/8"W x 15 1/8"H x 21 7/8"D
Weight	96 lb
Electrical Supply	120 VAC, 60 Hz
Electrical Service	15 amp dedicated circuit
Overall Capacity	1.2 cu ft
Power Cord Length	4 feet
Receptacle	3-prong grounding-type

ELECTRICAL



DIMENSIONS



STANDARD INSTALLATION

