

MD30PE/S

FEATURES

20% larger interior capacity

Classic stainless steel

Control panel lock

Installs standard or flush inset

10 power levels and sensor cooking for easy meals

"Keep Warm" mode

Rigorously tested in our U.S. manufacturing facilities for decades of use

Exceptional 24/7 support from our Customer Care team in Madison

ACCESSORIES

Air vent for flush inset installations

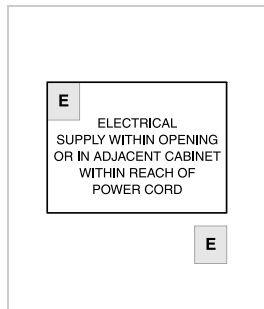
Accessories available through an authorized Sub-Zero dealer.
For local dealer information, visit subzero-wolf.com/locator.



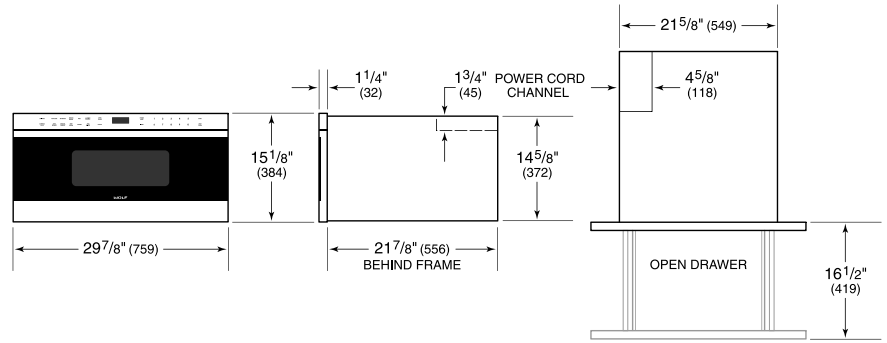
PRODUCT SPECIFICATIONS

| | |
|--------------------|--------------------------------|
| Model | MD30PE/S |
| Dimensions | 29 7/8"W x 15 1/8"H x 21 7/8"D |
| Weight | 96 lb |
| Electrical Supply | 120 VAC, 60 Hz |
| Electrical Service | 15 amp dedicated circuit |
| Overall Capacity | 1.2 cu ft |
| Power Cord Length | 4 feet |
| Receptacle | 3-prong grounding-type |

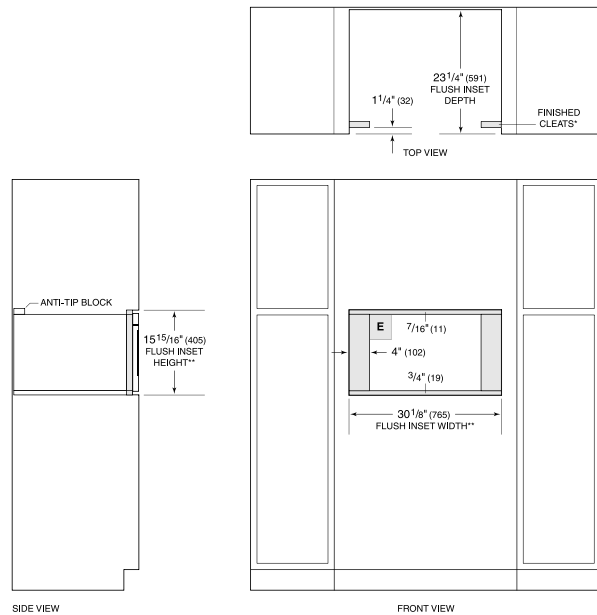
ELECTRICAL



DIMENSIONS



FLUSH INSTALLATION



*Will be visible and should be finished to match cabinetry.
 **Dimension provides minimum reveals.