



Induction Ranges Use & Care Guide



Contents

- 4 Safety Precautions
- 8 Induction Range Features
- 9 Oven Operation
- 16 Surface Operation
- 20 Care Recommendations
- 21 Troubleshooting
- 23 Wolf Warranty

Customer Care

The model and serial number are printed on the enclosed product registration card. Both numbers are also listed on the product rating plate. Refer to page 8 for rating plate location. For warranty purposes, you will also need the date of installation and name of your authorized Wolf dealer. Record this information below for future reference.

If your product ever needs attention, be sure to use a Wolf factory certified service provider recommended by our customer care center, or select one from our list of providers available at wolfappliance.com/locator. All factory certified service providers are carefully selected and thoroughly trained by us.

SERVICE INFORMATION

Model Number

Serial Number

Date of Installation

Certified Service Name

Certified Service Number

Authorized Dealer

Dealer Number

Important Note

To ensure this product is installed and operated as safely and efficiently as possible, take note of the following types of highlighted information throughout this guide:

IMPORTANT NOTE highlights information that is especially important.

CAUTION indicates a situation where minor injury or product damage may occur if instructions are not followed.

WARNING states a hazard that may cause serious injury or death if precautions are not followed.

IMPORTANT NOTE: Throughout this guide, dimensions in parentheses are millimeters unless otherwise specified.

Thank You

Thank you for your purchase. We look forward to being part of your home for decades to come. As a third-generation family-owned company, we take a very personal stake in the preparation of your family's food. We built our business and our reputation on helping families serve the finest food possible.

With your purchase, you receive one of the strongest warranties in the appliance industry. Take a moment to read the full warranty statement on page 23. It's also important to register your Wolf appliance to ensure that you don't miss out on exclusive owner benefits, such as; assurance that you will be taken care of in the unlikely event that service becomes necessary during the warranty period, and a proof-of-purchase record in case of a home insurance claim. You may register by one of the following options:

- Mail in the completed Wolf product registration card.
- Register online at wolfappliance.com/register and create a personalized My Sub-Zero/ Wolf account using the serial number on your product.
- Register by phone by calling Wolf Customer Care at 800-222-7820.

As a Wolf owner, you can count on ongoing support, day in and day out. Our customer care center is available 24 hours a day, seven days a week and staffed by knowledgeable product experts at our factory in Madison, Wisconsin. Should the need arise, simply call 800-222-7820 and speak with one of our product experts. They will help troubleshoot any issues you might have.

We are confident this guide will answer your questions about the features, operation, and maintenance of your Wolf, but if you have additional questions, please contact us at 800-222-7820 or visit us online at wolfappliance.com.



IMPORTANT INSTRUCTIONS

⚠ WARNING

A child or adult can tip this appliance and be killed.

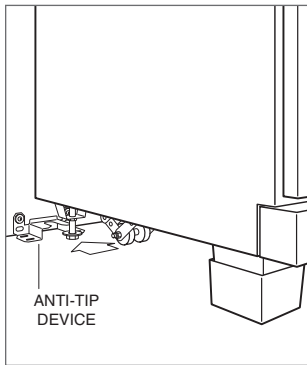
Verify the anti-tip device has been properly installed and engaged. Ensure the anti-tip device is re-engaged when this appliance is moved. Refer to the illustrations below for how to verify correct installation.

Do not operate this appliance without the anti-tip device in place and engaged. Failure to do so can result in death or serious burns to children or adults.

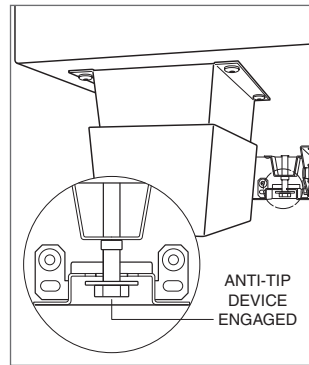
To reduce the risk of burns, do not move this appliance while hot.

GENERAL SAFETY PRECAUTIONS

- Read this guide carefully before using this appliance to reduce risk of fire, electric shock or injury.
- Ensure proper installation and servicing. This appliance must be properly installed and grounded by a qualified technician. Have the installer show you the location of the circuit breaker or fuse so that you know where to turn off power.
- Warranty service must be performed by Wolf factory certified service.
- Do not repair or replace any part of the appliance unless it is specifically recommended in literature you received. All service should be referred to Wolf factory certified service.
- **IMPORTANT NOTE:** Performance may be compromised if the electrical supply is less than 240 volts.



Anti-tip device location.



Anti-tip device engaged.

IMPORTANT INSTRUCTIONS

GENERAL SAFETY PRECAUTIONS

- Keep appliance area clear and free from combustible material.
- Exercise caution when opening oven door. Let hot air or steam escape before looking or reaching into oven.
- Do not use aluminum foil to line any part of this appliance.
- Be sure the oven cool air intake (above the door) and oven exhaust vent (below the door) are unobstructed at all times.
- Do not obstruct the flow of air to ensure proper ventilation.
- Wear proper apparel. Loose-fitting or hanging garments should never be worn using this appliance.
- Use extreme caution when moving a grease kettle or disposing of hot grease.
- Use only dry pot holders when removing pans from this appliance. Wet or damp pot holders can cause steam burns. Do not use a towel or bulky cloth in place of pot holders.
- Position oven racks in desired locations when oven is cool. If a rack must be repositioned after the oven is already hot, be sure pot holder does not contact a hot heating element in the oven.
- Clean only those parts listed in this guide.
- Do not use oven cleaners. No commercial oven cleaner or oven liner protective coating of any kind should be used in or around any part of the oven.
- Before using self-clean, remove broiler pan, oven racks, oven rack guides and any other utensils.
- Do not clean oven gasket; rubbing or moving the gasket may compromise the door seal.
- Do not touch heating elements or interior surfaces of oven. Heating elements may be hot even though they are dark in color. Interior surfaces become hot enough to cause burns. During and after use, do not touch, or let clothing or other flammable materials contact heating elements or interior surfaces of oven until they have had sufficient time to cool.
- Do not leave children alone or unattended in the area where this appliance is in use. Never allow children to sit or stand on the appliance.
- Do not store items of interest to children above or at the back of this appliance, as they could climb on the appliance to reach items and be injured.
- Do not heat unopened food containers, such as baby food jars and cans. Pressure build-up may cause the container to burst and cause injury.
- Do not store flammable materials in an oven, near burners or let grease or other flammable substances accumulate on this appliance.

IMPORTANT INSTRUCTIONS

- Do not use water on grease fires. Smother the flame or use a dry chemical or foam-type extinguisher.
- Never leave this appliance unattended when in use. Boilovers and greasy spills may smoke or ignite.
- Select cookware of the proper size, material and construction for the particular type of cooking being done. This unit is equipped with induction elements of different size. Refer to element rating on page 8.
- Never heat an empty pan. It may damage the cooking surface or cookware and overheat the unit.
- Do not heat cookware with water droplets on the outside of the pan. The droplets may begin to boil and splatter. Cookware should always be dry.
- When using the cooking surface, do not touch the glass surface directly above or adjacent to the induction elements or zones. The glass surface may become hot enough to cause burns.
- Always turn pan handles inward so they do not extend over adjacent work areas, induction elements or edges of cooking surface to reduce the risk of burns, ignition of flammable materials and spillage due to unintentional contact with pan. Do not turn handles toward the room, where they may be bumped or easily hit.
- Do not operate the induction elements if the glass-ceramic surface is broken or severely pitted. Call Wolf factory certified service to repair the range.
- Do not store flammable materials near hot components or let grease or other flammable substances accumulate on the cooking surface.
- Do not clean the induction surface while it is still hot. If using a damp sponge or cloth, wait until the surface has cooled sufficiently to prevent steam burns. Also, some cleaners give off noxious fumes when applied to hot surfaces. Refer to care recommendations on page 20.
- Do not use a griddle, open roaster or fish poacher across two induction elements unless the bridge element is turned on. This type of use without the bridge element turned on could damage or crack the glass. Refer to bridge element on page 18.
- Do not block the cooling fan exhaust or intake vents. The cooling fan automatically turns on to cool internal parts. It may continue to run even after the cooking surface has been turned off.

IMPORTANT INSTRUCTIONS

CALIFORNIA PROPOSITION 65

▲ WARNING


This product may contain chemicals known to the state of California to cause cancer or reproductive harm.

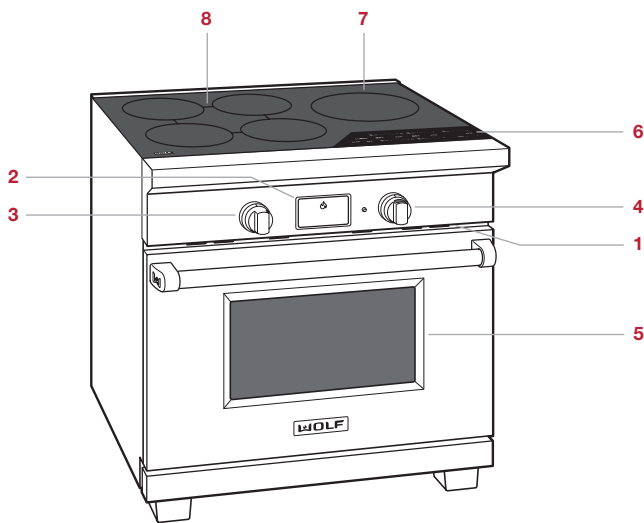
COMMONWEALTH OF MASSACHUSETTS

- Installations and repairs must be performed by a qualified or licensed contractor, plumber or gas fitter, qualified or licensed by the state, province or region where this appliance is being installed.

Induction Range Features

FEATURES

1	Product Rating Plate
2	Oven Control Panel (press  to access)
3	Oven Cooking Mode Selector Knob
4	Oven Temperature Control Knob
5	Convection Oven
6	Surface Control Panel
7	Induction Element
8	Bridge Element



36" induction range shown.

Getting Started

We know you are eager to start cooking, but before you do, please take some time to read this use & care guide. Whether you are an occasional cook or an expert chef, it will be to your benefit to familiarize yourself with the safety practices, features, operation and care recommendations of your Wolf induction range.

In induction cooking, the electricity flows through a coil to produce a magnetic field under the glass-ceramic surface. When an induction-compatible pan is placed on the cooking surface, currents are induced in the pan and instant heat is generated. Cookware made of magnetic materials, such as cast iron or magnetic stainless steel is required for induction cooking.

To ensure all residual oil from the manufacturing process has been removed, clean the range thoroughly with hot water and mild detergent prior to use. Rinse and dry with a soft cloth. Refer to care recommendations on page 20.

To ensure the best results, review cooking modes and special features on page 12.

⚠ CAUTION

Do not place cookware on the oven floor or use aluminum foil or other material to line the oven floor or side walls. Failure to adhere to this notice will damage the porcelain interior and will void your warranty.

INDUCTION ELEMENT RATING

30" RANGE	W
10 ¹ / ₂ " (267)	2600 3150 boost
(2) 8" (203)	2100 3000 boost
6" (152)	1400
36" RANGE	W
10 ¹ / ₂ " (267)	2600 3700 boost
(4) 8" (203)	2100 3000 boost

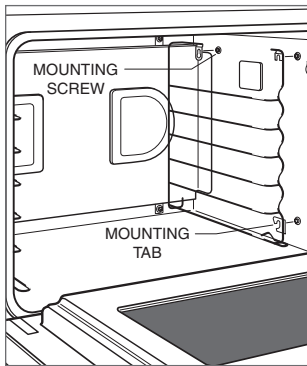
Oven Racks

OVEN RACK GUIDES

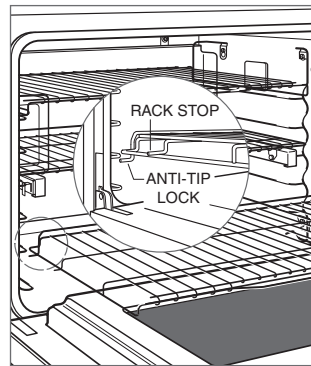
To insert the rack guides in the oven, locate the mounting screws on the oven side walls. Place the rack guide mounting tabs over the screws and slide down until fully seated. Refer to the illustration below.

OVEN RACKS

To insert a standard rack in the oven, place the rack anti-tip lock under the side rack guide rails. Slide the rack back and lift up to clear the rack stops. Continue to slide the rack back until completely inside the oven. Refer to the illustration below.



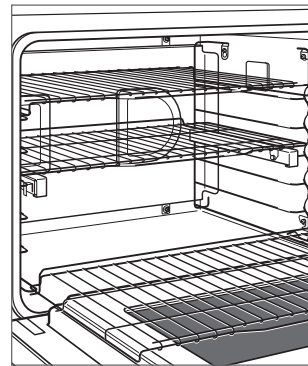
Oven rack guides.



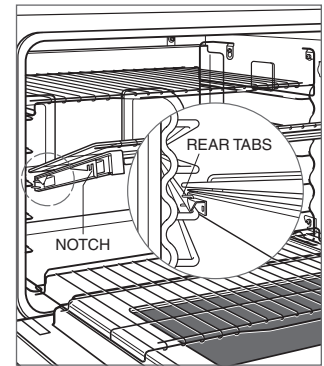
Oven rack anti-tip lock.

The bottom oven rack has a full-extension capability which is supported by the oven door. With the rack in the lowest rack guide position, slide it onto the door guides for greater stability and accessibility. Refer to the illustration below.

To insert a full-extension easy glide rack, place the two rear tabs onto the rack guide (one tab above and one below). Refer to the illustration below. Angle the rack slightly and slide back until the front rack notch engages the front rack guide.




Bottom rack.




Full-extension rack.

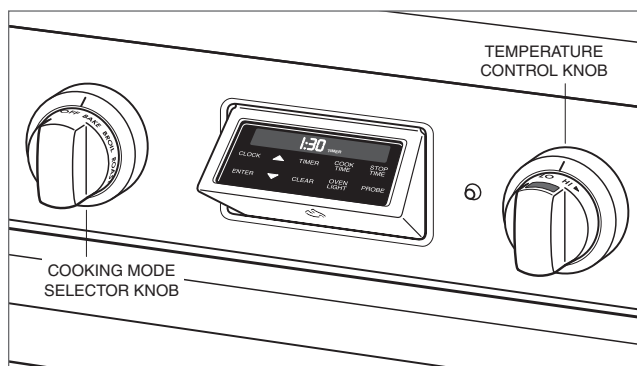
Oven Operation

Wolf induction ranges utilize a combination of a cooking mode selector knob, oven temperature control knob and electronic control panel to select desired cooking modes, oven temperature and exclusive features. Open the control panel by pressing .

Temperatures are displayed in Fahrenheit. To change to Celsius, touch and hold CLOCK for 5 seconds. Touch COOK TIME to alternate between °F and °C, then touch ENTER.

When using the oven, Wolf has created a two-step process to ensure it is never accidentally turned on:

- 1 Rotate cooking mode selector knob to desired cooking mode. Convection modes are indicated by . Refer to the illustration below. Once desired cooking mode is selected, a preset temperature will appear on the temperature control knob.
- 2 Select the preset temperature by touching ENTER on the control panel or turn temperature control knob to increase or decrease temperature. Either action completes the second step of the process. Oven indicator light illuminates and preheat begins.



Oven controls.

OVEN LIGHT


The oven light turns on automatically when the door is open and off when closed. To turn the light on while the door is closed, touch OVEN LIGHT on the control panel.

PREHEAT

During preheat, the oven is heated as quickly and evenly as possible and is not ideal for cooking. Preheat should be utilized for all cooking modes except broil and convection broil. During preheat, temperatures below 150°F (65°C) appear as 'Lo'. Once preheat is complete, an audible chime indicates the oven has reached set temperature and the oven indicator light is no longer illuminated. To adjust temperature once preheat is complete, turn the knob to the desired temperature.

PRIOR TO USE

To ensure all residual oil from the manufacturing process has been removed, each oven must go through the following procedure.

- 1 Clean oven thoroughly with hot water and mild detergent. Rinse and dry with a soft cloth.
- 2 Turn on ventilation. Some smoke and odor is normal.
- 3 Rotate mode selector knob to  ROAST and adjust temperature to 550°F (290°C) for one hour.
- 4 Rotate mode selector knob to OFF and allow oven to cool with the door closed.

Oven Operation

CLOCK

The clock is visible on the control panel during all cooking modes, except when the timer is in use. It is very important the clock is set to the correct time if the cook time or stop time feature is used. The clock must be reset after a power outage.

Setting clock:

- 1 Touch CLOCK on the control panel.
- 2 Use up and down arrows to set time of day. Time will change from am to pm by passing 12:00.
- 3 Touch CLOCK. An audible chime indicates time has been set.
- 4 To change to 24-hour clock, press and hold CLOCK for 5 seconds. Touch CLOCK, then ENTER.

CLOCK STANDBY POWER

The range is shipped in standby power mode which disables the clock approximately 10 minutes after the cooling fan operation is complete or the oven is inactive. The clock will illuminate after any touch of the controls or oven use.

Enable | disable standby power:

- 1 Touch and hold CLOCK on the control panel for 5 seconds.
- 2 Touch STOP TIME to toggle on or off, then touch ENTER.

TIMER

The timer on the oven control panel can be set for a maximum of 9 hours, 59 minutes. Once a time is set, the countdown is illuminated on the control panel display. The last minute counts down in seconds. The timer is independent from the oven. Setting the timer does not affect cook time or stop time. For information regarding auto program features, refer to page 14.

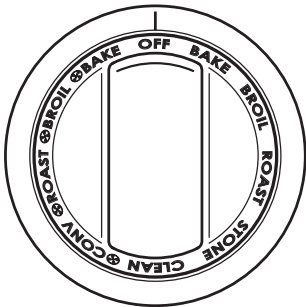
Setting timer:

- 1 Touch TIMER on the oven control panel.
- 2 Use up and down arrows to set time in hours and minutes.
- 3 Touch TIMER to start. An audible chime indicates timer has been set. Oven will chime and time will flash when complete. Timer will continue to chime until CLEAR is touched on the control panel.

OVEN OPERATION

Cooking Modes

MODE	MODE KNOB	PRESET	RANGE	PROBE	USES
Convection	⊗ CONV	325°F (165°C)	170–550°F (75–290°C)	•	Uniform air movement makes it possible to multi-level rack cook with even browning.
Convection Bake	⊗ BAKE	375°F (190°C)	170–550°F (75–290°C)	•	Ideal for pie baking.
Convection Broil	⊗ BROIL	Br1 Br2 Br3	550°F (290°C) 450°F (230°C) 350°F (175°C)		Shortens broiling times for thicker cuts of meat, fish and poultry. Utilize two-piece broiler pan and always broil with oven door closed.
Convection Roast	⊗ ROAST	325°F (165°C)	170–550°F (75–290°C)	•	Perfect for roasting tender cuts of beef, lamb, pork and poultry.
Bake	BAKE	350°F (175°C)	170–550°F (75–290°C)	•	Best for single-rack cooking, primarily baked foods. Use for standard recipes.
Broil	BROIL	Br1 Br2 Br3	550°F (290°C) 450°F (230°C) 350°F (175°C)		Best for broiling meats, fish and poultry pieces up to 1" thick. Utilize two-piece broiler pan and always broil with oven door closed.
Roast	ROAST	350°F (175°C)	170–550°F (75–290°C)	•	Best for roasting less tender cuts of meat, such as chuck roasts and stew meat that should be covered.
Bake Stone	STONE	400°F (205°C)	170–550°F (75–290°C)	•	Baking on a ceramic stone. Great for pizza and bread. Bake stone accessory required.
Dehydration	⊗ CONV	135°F (60°C)	110–160°F (45–70°C)		Dry a variety of fruits, vegetables and meats. Accessory racks required. Refer to page 13.
Self-Clean	CLEAN				Oven heats to an extremely high temperature to allow food soil to burn off. Refer to page 14.



Cooking mode selector knob.

Proof


Setting controls:

- 1 Rotate mode selector knob to BAKE.
- 2 Turn temperature control knob left until 'PrF' is displayed, then release.
- 3 Oven temperature is preset to 85°F (30°C). Touch ENTER to select preset temperature or turn temperature control knob to change temperature. Display alternates between set temperature and 'PrF.'

Dehydration

Accessory kit required. Accessories are available through an authorized Wolf dealer. For local dealer information, visit the find a showroom section of our website, wolfappliance.com.

Setting controls:

- 1 Place door stop supplied with accessory kit, onto oven door lock.
- 2 Rotate mode selector knob to  CONV.
- 3 Turn temperature control knob left until 'dEH' is displayed, then release.
- 4 Oven temperature is preset to 110°F (45°C). Touch ENTER to select preset temperature or turn temperature control knob to change temperature. Display alternates between set temperature and 'dEH.'

Temperature Probe

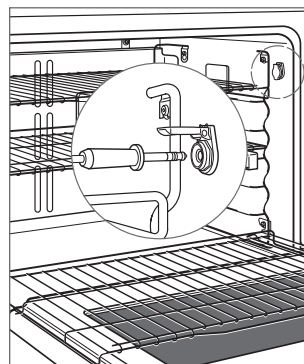
The temperature probe measures the internal temperature of food while cooking. It can be used with all cooking modes except broil and convection broil.

Setting controls:

- 1 Rotate mode selector knob to desired cooking mode.
- 2 Touch ENTER to select preset temperature or turn temperature control knob to change temperature.
- 3 Insert probe into the thickest area of food. When making bread, cook for approximately 10 minutes before inserting probe.
- 4 When preheat is complete, use a pot holder to lift probe receptacle cover, then insert probe. Refer to the illustration below.
- 5 Probe temperature is preset to 160°F (70°C). Touch ENTER to select preset temperature or turn temperature control knob to change temperature. Display alternates between oven set temperature and actual probe temperature. To alternate between probe set point and actual probe temperature, press PROBE. Temperatures below 70°F (20°C) are displayed as 'Lo.'
- 6 An audible chime indicates internal temperature has reached probe set point. Remove, then reinsert probe to verify internal temperature.

CAUTION

Probe and probe receptacle will be very hot. Handle with care.



Probe receptacle.

Auto Program

TIMED COOK

Timed cook automatically turns the oven off at a specified time. The oven will begin to heat immediately and will turn off at the desired stop time. The clock must be set to the correct time for timed cook to function properly. Use in any cooking mode except broil, convection broil and bake stone.

Setting controls:

- 1 Rotate mode selector knob to desired cooking mode.
- 2 Touch ENTER to select preset temperature or turn temperature control knob to change temperature.
- 3 Touch COOK TIME. Use arrows to select desired cook time in hours and minutes.
- 4 Touch ENTER.

DELAYED START

Delayed start automatically turns the oven on and off at specified times. The oven will remain idle until the desired start time and will turn off at the desired stop time. The clock must be set to the correct time for delayed start to function properly. Use in any cooking mode except broil, convection broil and bake stone.

Setting controls:

- 1 Rotate mode selector knob to desired cooking mode.
- 2 Touch ENTER to select preset temperature or turn temperature control knob to change temperature. If ENTER is touched, oven will begin to heat immediately, but will enter idle mode once stop time is set.
- 3 Touch COOK TIME. Use arrows to select desired cook time in hours and minutes.
- 4 Touch STOP TIME. Use arrows to select desired time oven should turn off.
- 5 Touch ENTER.

Self-Clean

During self-clean, the oven is heated to an extremely high temperature to burn off food soil. Remove all oven racks and rack guides. They will discolor if left in during self-clean. The oven door will lock and remain locked until self-clean is complete and oven temperature has cooled below 300°F (150°C). Self-clean times include one hour for cool down.

Setting controls for 4-hour self-clean:

- 1 Rotate mode selector knob to CLEAN.
- 2 Touch ENTER.

Setting controls for 3-hour self-clean:

- 1 Rotate mode selector knob to CLEAN.
- 2 Touch STOP TIME.
- 3 Touch down arrow to reduce stop time by 1 hour.
- 4 Touch ENTER twice.

CAUTION

During self-clean, exterior surfaces may get hotter than usual. Children should be kept away.

Sabbath (oven only)

This appliance is certified by Star-K to meet strict religious regulations in conjunction with specific instructions found on www.star-k.org.

Sabbath overrides the automatic 12-hour shut off feature. Sabbath must be reset after a power outage.

Setting controls:

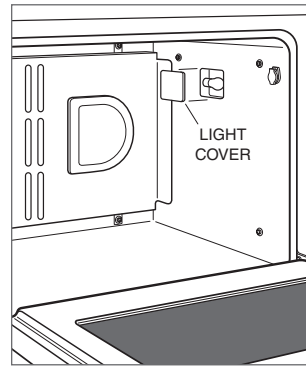
- 1 Turn oven light on or off.
- 2 Rotate mode selector knob to BAKE or ROAST and select desired temperature.
- 3 Touch and hold ENTER for 5 seconds. 'SAb' will appear and flash on oven control knob indicating Sabbath mode has been initiated.
- 4 To change oven temperature while in Sabbath mode, turn temperature control knob. Each turn will increase or decrease temperature by 10° (F or C). Display and audible chime are disabled, but temperature will randomly change after new temperature is selected. Oven will remain on until mode selector knob is rotated to OFF.

Oven Light

⚠ WARNING

Verify power is disconnected from the electrical box before replacing a light bulb.

Allow the oven to cool completely, then remove oven racks and rack guides. To remove the light cover, gently pry the bottom edge with a flat screwdriver. Remove the existing bulb and replace with a 20-watt halogen bulb. Refer to the illustration below.



Light bulb replacement.









Surface Operation

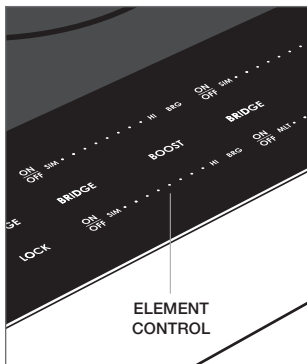
CONTROL PANEL

The control panel features illuminated touch controls that are invisible when the cooking surface is off. A power level indicator for each control displays the heat setting from SIM (MLT) to HI. Each control is positioned to the corresponding induction element. Refer to the illustration below.

Indicators on the control panel will illuminate to indicate specific surface operation. Refer to the chart below.

INDICATORS

	Control Panel Lock
	Element(s) On
	Hot Surface
	Timer Set
	Boost Mode
	Front-to-Back Bridge
	Side-to-Side Bridge
	All Bridge




Touch controls.

⚠ CAUTION

Do not place hot cookware directly over the control panel.

CONTROL PANEL LOCK

The control panel lock feature prevents unwanted surface operation. Touch and hold LOCK for three seconds to lock and unlock the control panel.  will illuminate when the control panel is locked.

The control panel will automatically lock after 10 minutes of inactivity. This automatic lock feature can be disabled through the extended options menu. Refer to page 19.

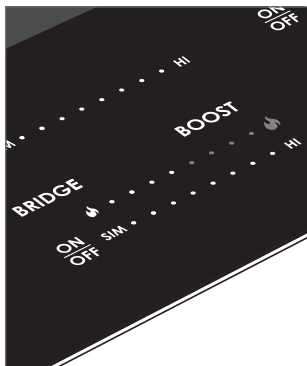
When the range is powered up for the first time and after a power outage, the induction surface will default to lock mode.

Surface Operation

POWER LEVEL INDICATOR

When an element is activated, a power level indicator will illuminate above the corresponding control indicating the level of heat. The lowest heat is represented by the small flame, varying levels of heat by additional indicators (dots), and the highest heat by all indicators including the large flame. Refer to the chart and illustration below.

SETTING	POWER LEVEL	USES
Melt	1 (small flame) indicator	Melting butter, holding chocolate and sauces.
Simmer	2-6 indicators	Simmering sauces and steaming rice.
Medium	6-7 indicators	Making French toast and pancakes, heating milk, cream sauces, soups and gravies.
Medium High	7-8 indicators	Sauteing, browning and frying.
High	8-10 (large flame) indicators	Boiling water, searing meat and canning.



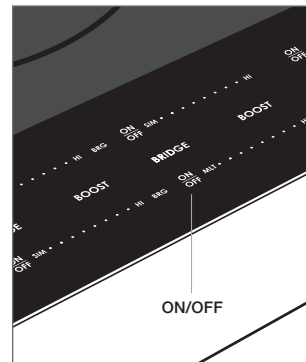
Power level indicator.

SINGLE ELEMENT | INNER ZONE

Setting controls:

- 1 To activate a induction element, touch ON/OFF for the desired single element on the control panel. Power level indicator will flash and all indicators for that zone will flash. Refer to the illustration below.
- 2 To complete the activation, touch HI for highest heat, SIM (MLT) for lowest heat, BOOST to activate boost mode, or touch desired power level indicator.
- 3 To change heat setting while the element is on, touch or slide to desired power level.
- 4 To turn element off, touch ON/OFF.

IMPORTANT NOTE: If no cookware or an incompatible pan is placed on an induction element after activation, the control will flash for 30 seconds, then the element will turn off automatically.



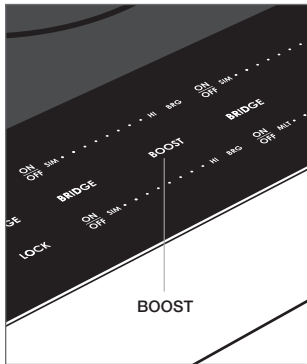
Element activation.

Surface Operation

BOOST MODE

Boost mode boosts power on one element by diverting power from an adjacent element. If the adjacent element is on high, the power output will be reduced. The reduction in power will be displayed on the power level indicator of the adjacent element. Refer to the illustration below. 🔥🔥 will illuminate when an element is in boost mode.

Boost mode will deactivate automatically after approximately 15 minutes of continuous operation and can be reactivated if desired.



Boost mode.

BRIDGE ELEMENT

Setting controls:

- 1 To activate bridge, select desired power level on one of the single elements.
- 2 Touch BRIDGE between corresponding element controls to bridge elements front to back, BRG to bridge elements side to side, or ALL BRIDGE to bridge all elements. 🔗, 🔗🔗 or 🔗🔗🔗 will illuminate respectively.
- 3 To change power level, adjust the power level on any active bridged element.
- 4 To turn off, touch ON/OFF on any active bridged element.

ALL BRIDGE should be used for cookware larger than 12" (305) in diameter. For smaller cookware, use the right rear element.

GRIDDLE USE

The bridge element provides an oblong heating area for use with a griddle, open roaster or fish poacher.


To preheat a griddle, set the bridge element power level to high for five minutes, then reduce for cooking.

⚠ CAUTION

A griddle, open roaster or fish poacher should not be used when the bridge element is off or with any other combination of heating elements.

Surface Operation


TIMER

The surface timer can be set in one-minute increments up to 99 minutes. Once a time is set,  will illuminate on the surface control panel and the countdown is visible on the timer display. The timer is independent from the cooking surface. Refer to the illustration below.


Setting timer:

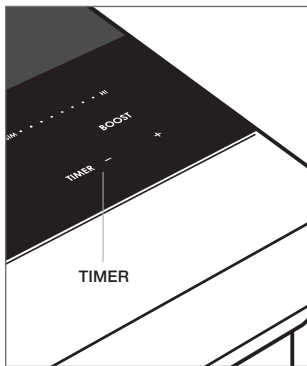
- 1 Touch TIMER.
- 2 Touch and hold + or – until desired time is shown in the timer display. Timer will begin the countdown in minutes.
- 3 Timer will chime with one minute left and completes the countdown in seconds.
- 4 When complete, timer will chime and continue to chime until TIMER is touched.

HOT SURFACE INDICATOR

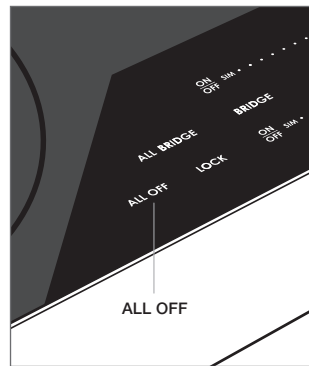
 will illuminate on the surface control panel and may remain illuminated even when the induction surface is off.

ALL OFF

When one or more induction elements are on,  will illuminate on the surface control panel. To turn off all elements at the same time, touch ALL OFF. Refer to the illustration below.



Timer controls.



All off.

EXTENDED OPTIONS

The extended options feature allows the user to set preferences for volume, tone and surface control panel lock feature.

Setting adjustment:

- 1 While unit is off and unlocked, touch and hold ALL OFF for five seconds.
- 2 Power level 1 on the rear element control will be displayed and 'VO' will appear on the timer display.

Touch SIM (MLT) or HI on the front element control to adjust volume.

- 3 Touch + on the timer control to adjust tone. Power level 2 on the rear element control will be displayed and 'Fr' will appear on the timer display.

Touch SIM (MLT) or HI on the front element control to adjust tone.

- 4 Touch + on the timer control to adjust the automatic control panel lock. Power level 3 on the rear element control will be displayed and 'Lo' will appear on the timer display.

Touch SIM (MLT) or HI on the front element control to turn the automatic lock feature off or on respectively.

- 5 Touch ALL OFF at any time while in extended options to confirm settings and return to idle.

Care Recommendations

CLEANING

Stainless steel	Use a nonabrasive stainless steel cleaner and apply with a soft lint-free cloth. To bring out the natural luster, lightly wipe surface with a water-dampened microfiber cloth followed by a dry polishing chamois. Always follow the grain of stainless steel.
Glass-ceramic surface	Allow to cool. Use a spray degreaser to remove fingerprints and a non-abrasive Ceran® cooktop cleaner for food soil. Do not allow any item that could melt to come in contact with the glass-ceramic surface when hot. If this occurs, use the razor blade scraper provided with the range to remove.
Control panel	Use a spray degreaser to remove fingerprints and food soil. Spray on a cloth before wiping panel. IMPORTANT NOTE: Do not spray cleaners directly on the control panel.
Control knobs	Using a damp cloth, wipe with a mild detergent or spray degreaser; rinse and dry. Do not place in dishwasher.
Oven rack guides	Remove and place on a flat surface near the sink. Clean with hot water and mild detergent or paste of baking soda and water. Do not immerse in water. Towel dry.
Oven interior	Before utilizing the self-clean feature, use a razor blade to gently lift baked on foods from the oven cavity and window. For stubborn stains, spray with a mild abrasive cleaner or spray degreaser and scrub with a no-scratch Scotch-Brite™ pad (pink or blue). Wash the entire oven cavity with soap and water to remove cleaning chemicals before entering self-clean mode. If residue is not cleaned from the cavity, etching of the porcelain may occur. Once the self-clean cycle is complete, allow the oven to cool completely and wipe out ash with a damp cloth.
Broiler pan	To clean the upper rack, use a mild detergent and scouring pad. Rinse and dry. To clean the bottom pan, discard grease and wash with hot water and mild detergent. Rinse and dry. The stainless steel upper rack is dishwasher safe, however, do not place any porcelain-coated rack or pan in dishwasher.

Troubleshooting

OPERATION

Range does not operate.

- Verify power is on.
- Verify electrical power to range and home circuit breaker is on.
- Oven will automatically turn off after 12 hours of continual use, except in dehydration or Sabbath mode.

Clock display turns off.

- Clock display is in standby power mode. Refer to page 11.

OVEN

Oven temperature issue.

- Contact Wolf customer care at 800-222-7820 for recommendations.

No control knob display.

- Pull temperature control knob out and reinsert fully. Turn circuit breaker off for 5 seconds, then turn back on.

No response from oven control panel touch pads.

- Turn mode selector knob to OFF to exit Sabbath mode.
- Turn circuit breaker off for 5 seconds, then turn back on.

'SAb' displayed on temperature control knob.

- Turn mode selector knob to OFF to exit Sabbath mode.

'PF' displayed on temperature control knob.

- Unit had a power outage. Turn mode selector knob to a cooking mode, then back to OFF to reset.
- Turn circuit breaker off for 5 seconds, then turn back on.

'OE', 'OC' or other error displayed.

- Contact Wolf factory certified service.

Oven 'pops' or 'bangs' during preheat or cool down.

- Normal with new oven cavity expansion and contraction.
- Run self-clean cycle. If it persists, contact Wolf customer care at 800-222-7820.

INDUCTION SURFACE

Induction elements do not operate.

- Verify power is on.
- Verify electrical power to range and home circuit breaker is on.
- Induction surface is in lock mode. Touch and hold LOCK for three seconds to unlock surface control panel.
- Induction surface will automatically turn off after 2 hours of continual use (high), 6 hours (medium) and 8 hours (simmer).

Surface temperature issue.

- Contact Wolf customer care at 800-222-7820 for recommendations.

Troubleshooting

SERVICE

- Maintain the quality built into your product by contacting Wolf factory certified service. For the name of the nearest Wolf factory certified service, check the contact & support section of our website, wolfappliance.com or call Wolf customer care at 800-222-7820.
- When contacting service, you will need the model and serial number of your product. Both numbers are listed on the product rating plate. Refer to page 8 for rating plate location.
- For warranty purposes, you will also need the date of installation and name of your authorized Wolf dealer. This information should be recorded on page 2 of this guide.

Wolf Appliance Residential Limited Warranty

FOR RESIDENTIAL USE

FULL TWO YEAR WARRANTY*

For two years from the date of original installation, this Wolf Appliance product warranty covers all parts and labor to repair or replace, under normal residential use, any part of the product that proves to be defective in materials or workmanship. All service provided by Wolf Appliance under the above warranty must be performed by Wolf factory certified service, unless otherwise specified by Wolf Appliance, Inc. Service will be provided during normal business hours.

LIMITED FIVE YEAR WARRANTY

For five years from the date of original installation, Wolf Appliance will repair or replace the following parts that prove to be defective in materials or workmanship: gas burners (excludes appearance), electric heating elements, blower motors (ventilation hoods), electronic control boards, magnetron tubes and induction generators. If the owner uses Wolf factory certified service, the service provider will repair or replace these parts with the owner paying for all other costs, including labor. If the owner uses non-certified service, the owner must contact Wolf Appliance, Inc. (using the information below) to receive repaired or replacement parts. Wolf Appliance will not reimburse the owner for parts purchased from non-certified service or other sources.

TERMS APPLICABLE TO EACH WARRANTY

The warranty applies only to products installed for normal residential use. The warranty applies only to products installed in any one of the fifty states of the United States, the District of Columbia or the ten provinces of Canada. This warranty does not cover any parts or labor to correct any defect caused by negligence, accident or improper use, maintenance, installation, service or repair.

THE REMEDIES DESCRIBED ABOVE FOR EACH WARRANTY ARE THE ONLY ONES THAT WOLF APPLIANCE, INC. WILL PROVIDE, EITHER UNDER THIS WARRANTY OR UNDER ANY WARRANTY ARISING BY OPERATION OF LAW. WOLF APPLIANCE, INC. WILL NOT BE RESPONSIBLE FOR ANY CONSEQUENTIAL OR INCIDENTAL DAMAGES ARISING FROM THE BREACH OF THIS WARRANTY OR ANY OTHER WARRANTY, WHETHER EXPRESS, IMPLIED OR STATUTORY.

Some states do not allow the exclusion or limitation of incidental or consequential damages, so the above limitation or exclusion may not apply to you. This warranty gives you specific legal rights and you may also have other legal rights that vary from state to state.

To receive parts and/or service and the name of Wolf factory certified service nearest you, contact Wolf Appliance, Inc., P.O. Box 44848, Madison, WI 53744; check the contact & support section of our website, wolfappliance.com, email us at customerservice@subzero.com or call 800-222-7820.

*Stainless steel (doors, panels, handles, product frames and interior surfaces) are covered by a limited 60-day parts and labor warranty for cosmetic defects.

*Replacement filters for ventilation hood recirculating kits are not covered by the product warranty.



Contenido

- 4 Precauciones de seguridad
- 8 Características de la estufa de inducción
- 9 Funcionamiento del horno
- 16 Funcionamiento de la superficie
- 20 Recomendaciones sobre el cuidado
- 21 Resolución de problemas
- 23 Garantía de Wolf

Atención al cliente

El modelo y número de serie están impresos en la tarjeta de registro del producto adjunta. Los dos números también aparecen en la placa de datos del producto. Consulte la página 8 para encontrar la placa de datos. Para fines de la garantía, usted también necesitará la fecha de instalación y el nombre de su distribuidor autorizado de Wolf. Anote esta información abajo para referencia futura.

Si su producto alguna vez necesita servicio asegúrese de usar un proveedor de servicios certificado por Wolf y recomendado por nuestro centro de atención al cliente, o seleccione uno de nuestra lista de proveedores en wolfappliance.com/locator. Todos los proveedores de los centros de servicio autorizados han sido cuidadosamente seleccionados y entrenados a fondo por nosotros.

INFORMACIÓN PARA SERVICIO

Número de modelo

Número de serie

Fecha de instalación

Nombre de servicio certificado

Número de servicio certificado

Distribuidor autorizado

Número de distribuidor

Aviso importante

Para garantizar que este producto se instale y opere de la forma más segura y eficiente posible, tome nota de los siguientes tipos de información resaltada en esta guía:

AVISO IMPORTANTE señala la información que es especialmente importante.

PRECAUCIÓN indica una situación en la que se pueden sufrir heridas leves o provocar daños al producto si no se siguen las instrucciones.

ADVERTENCIA indica peligro de que se produzcan heridas graves o incluso la muerte si no se siguen las precauciones.

AVISO IMPORTANTE: en toda esta guía, las dimensiones entre paréntesis son milímetros, a menos que se especifique lo contrario.

Gracias

Muchas gracias por su compra. Esperamos poder ser parte de su hogar durante las décadas venideras. Como una empresa familiar de tercera generación, tenemos un interés muy personal en la preparación de los alimentos de su familia. Hemos construido nuestro negocio y nuestra reputación al ayudar a las familias a servir comida de la mejor calidad posible.

Con su compra, usted recibe una de las garantías más sólidas en la industria de los electrodomésticos. Lea la declaración de garantía completa de la página 23. También es importante que registre su Wolf para asegurarse de no perder los beneficios de propietario exclusivo, como por ejemplo, la garantía de que va a recibir atención en el improbable caso de que necesite servicio durante el periodo de garantía, y un registro de prueba de compra en caso de una reclamación sobre el seguro de vivienda. Puede registrarse mediante una de las siguientes opciones:

- Envíe a Wolf la tarjeta de registro del producto llena.
- Regístrese en línea en wolfappliance.com/register y cree una cuenta personal en My Sub-Zero/Wolf con el número de serie de su producto.
- Regístrese por teléfono llamando a la línea de atención al cliente de Wolf al 800-222-7820.

Como propietario de un electrodoméstico Wolf, puede contar con soporte técnico constante, día tras día. Nuestro centro de atención al cliente está disponible 24 horas al día, los siete días a la semana, y lo conforman expertos conocedores del producto en nuestra fábrica en Madison, Wisconsin. En caso necesario, simplemente llame al 800-222-7820 y hable con uno de los expertos de nuestros productos. Ellos le ayudarán a solucionar cualquier problema que pueda tener.

Estamos seguros de que esta guía contestará sus preguntas acerca de las características, el funcionamiento y mantenimiento de su electrodoméstico Wolf, pero si usted tiene preguntas adicionales, póngase en contacto con nosotros en el 800-222-7820 o visítenos en línea en wolfappliance.com.



INSTRUCCIONES IMPORTANTES

⚠ ADVERTENCIA

Si un niño o un adulto jalan el electrodoméstico este puede volcarse y causarles la muerte.

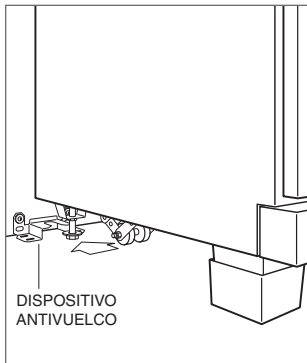
Compruebe que el dispositivo antivuelco haya sido instalado y esté enganchado correctamente. Asegúrese de volver a enganchar el dispositivo antivuelco después de cambiar el electrodoméstico de lugar. Consulte las ilustraciones siguientes para saber cómo comprobar su instalación correcta.

No opere este electrodoméstico sin el dispositivo antivuelco en posición y enganchado. No seguir esta instrucción puede resultar en la muerte o en graves quemaduras en niños o adultos.

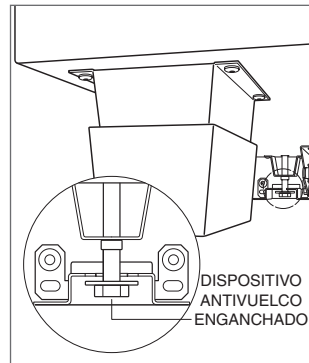
Para reducir el riesgo de quemaduras, no mueva el electrodoméstico mientras está caliente.

PRECAUCIONES GENERALES DE SEGURIDAD

- Lea este manual con atención antes de utilizar este electrodoméstico para reducir el riesgo de incendio, descarga eléctrica o lesiones.
- Asegúrese de que la instalación y el servicio sean los apropiados. Este electrodoméstico debe ser instalado y conectado a tierra por un técnico calificado. Pida al instalador que le muestre la ubicación del disyuntor o fusible para que sepa dónde desconectar la corriente.
- El servicio de garantía debe ser realizado por un centro de servicio autorizado de Wolf.
- No intente reparar ni cambiar parte alguna de este electrodoméstico a menos que esté específicamente recomendado en la literatura que recibió. Todo servicio de garantía debe ser realizado por un centro de servicio autorizado de Wolf.
- **AVISO IMPORTANTE:** El rendimiento puede verse comprometido si el suministro eléctrico es menor a 240 voltios.



Ubicación del dispositivo antivuelco.



Dispositivo antivuelco enganchado.

INSTRUCCIONES IMPORTANTES

PRECAUCIONES GENERALES DE SEGURIDAD

- Mantenga el área del electrodoméstico limpia y libre de materiales combustibles.
- Tenga cuidado al abrir la puerta del horno. Deje salir el aire caliente o el vapor antes de mirar o meter las manos dentro del horno.
- No utilice papel de aluminio para forrar ninguna parte de este electrodoméstico.
- Asegúrese de que la entrada de aire fresco del horno (arriba de la puerta) y la rejilla de ventilación del horno (abajo de la puerta) estén libres de obstáculos en todo momento.
- No obstruya el flujo de aire para asegurar una combustión y ventilación adecuadas.
- Utilice ropa adecuada. Nunca debe utilizar ropa holgada ni con aplicaciones sueltas al utilizar este electrodoméstico.
- Tenga mucho cuidado al mover un hervidor con grasa o desechar la grasa caliente.
- Utilice siempre guantes de cocina secos al retirar las cacerolas de este electrodoméstico. Los guantes de cocina húmedos o mojados pueden provocar quemaduras por vapor. No utilice una toalla ni un paño voluminoso en lugar de los guantes de cocina.
- Coloque las rejillas del horno a la altura deseada cuando el horno esté frío. Si debe cambiar una rejilla de posición cuando el horno esté caliente, asegúrese de que el guante de cocina no entre en contacto con un elemento calefactor caliente al interior del horno.
- Limpie solamente las partes enumeradas en este manual.
- No utilice limpiadores para hornos. No debe utilizar limpiadores comerciales para hornos ni capas protectoras de ninguna clase en o alrededor de cualquier parte del horno.
- Antes de utilizar la autolimpieza, retire la parrilla, las rejillas del horno, las guías de las rejillas y cualquier otro utensilio.
- No limpie el empaque del horno, ya que frotar o mover el empaque puede comprometer el sello de la puerta.
- No toque los elementos calefactores ni las superficies internas del horno. Los elementos calefactores pueden permanecer calientes incluso cuando tienen un color oscuro. Las superficies internas alcanzan altas temperaturas y pueden causar quemaduras. Durante y después del uso, no toque, ni deje que su ropa u otros materiales ignífugos entren en contacto con los elementos calefactores o superficies internas del horno hasta que hayan tenido suficiente tiempo para enfriarse.
- No deje a los niños menores solos ni desatendidos en el área donde se utiliza este electrodoméstico. Nunca permita que los niños se sienten o paren sobre el electrodoméstico.
- No almacene artículos que puedan llamar la atención de niños menores arriba o detrás de este electrodoméstico, ya que podrían subirse al electrodoméstico para alcanzar los objetos y sufrir lesiones.
- No caliente recipientes de comida cerrados, como frascos de alimentos para bebés o enlatados. La acumulación de presión puede hacer que el recipiente explote y cause lesiones.
- No almacene materiales ignífugos en un horno, cerca de los quemadores y tampoco permita la acumulación de grasa u otras sustancias ignífugas en este electrodoméstico.

INSTRUCCIONES IMPORTANTES

- No utilice agua en incendios causados por grasas. Sofoque el fuego o utilice extinguidor químico seco o de espuma.
- Nunca deje de supervisar este electrodoméstico cuando esté en uso. El rebosamiento por ebullición y los derrames de grasa pueden generar humo o incendiarse.
- Seleccione los utensilios de cocina del tamaño, material y construcción adecuados para el tipo particular de alimentos que está cocinando. Esta unidad está equipada con elementos de inducción de diferente tamaño. Consulte la clasificación de este elemento en la página 8.
- Nunca caliente una sartén vacía. Pueden dañarse la parrilla o los utensilios de cocina y sobrecalentarse la unidad.
- No caliente utensilios de cocina con goteo de agua fuera de la sartén. Las gotas pueden hervir y salpicar. Los utensilios de cocina siempre deben estar secos.
- Al utilizar la superficie de cocción, no toque la superficie del vidrio que está directamente sobre o junto a los elementos o zonas de inducción. La superficie del vidrio alcanza altas temperaturas y puede causar quemaduras.
- Siempre gire los mangos de las sartenes hacia el interior, de tal manera que no se extiendan sobre áreas de trabajo adyacentes, elementos de inducción o bordes de la superficie de cocción, para reducir el riesgo de quemaduras, encendido de materiales inflamables y derrames debidos a contacto no intencional con la sartén. No gire los mangos hacia la habitación, donde puede golpearse fácilmente.
- No opere los elementos de inducción si la superficie de cerámica de vidrio está rota o severamente fisurada. Para reparar la estufa, llame a un centro de servicio autorizado de fábrica de Wolf.
- No almacene materiales inflamables cerca de elementos calientes, ni tampoco permita la acumulación de grasa u otras sustancias inflamables en la superficie de cocción.
- No limpie la superficie de inducción cuando esté caliente. Si utiliza una esponja o paño húmedos, espere a que la superficie se haya enfriado lo suficiente para evitar quemaduras por vapor. Además, algunos limpiadores expiden gases nocivos cuando se aplican sobre superficies calientes. Consulte las recomendaciones sobre el cuidado en la página 20.
- No utilice una plancha, tostador abierto o besuguera que cruce sobre dos elementos calefactores, a menos que el elemento puente esté encendido. Este tipo de uso, sin el elemento puente encendido, podría dañar o agrietar el vidrio. Consulte información sobre el elemento puente en la página 18.
- No bloquee la salida de descarga del ventilador de enfriamiento ni las ventilas de admisión. El ventilador de enfriamiento se enciende automáticamente para enfriar las partes internas. Es posible que continúe funcionando aún después de que se apagó la superficie de cocción.

INSTRUCCIONES IMPORTANTES

PROPUESTA 65 DE CALIFORNIA

⚠ ADVERTENCIA


Este producto puede contener químicos que el estado de California considera que causan cáncer o daños reproductivos.

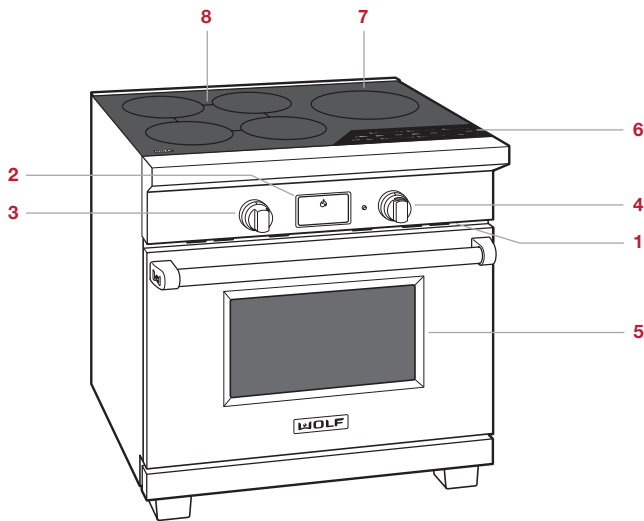
MANCOMUNIDAD DE MASSACHUSETTS

- Las instalaciones y reparaciones deben ser realizadas por un contratista, plomero o un instalador de gas autorizado o calificado por el estado, la provincia o región donde se va a instalar este electrodoméstico.

Características de la estufa de inducción

CARACTERÍSTICAS

1	Placa de datos del producto
2	Panel de control (presione  para tener acceso)
3	Perilla de selección del modo de cocción del horno
4	Perilla de control de temperatura del horno
5	Horno de convección
6	Panel de control de la superficie
7	Elemento de inducción
8	Elemento puente



Representación de la estufa de inducción de 36".

Primeros pasos

Sabemos que está ansioso por empezar a cocinar, pero antes de hacerlo, dedique un poco de tiempo a leer este manual de uso y cuidado. Si usted es un cocinero ocasional o un chef experto, se beneficiará al conocer las prácticas de seguridad, características, funcionamiento y recomendaciones de cuidado de su estufa de inducción de Wolf.

Al cocinar por inducción, la electricidad fluye a través de una bobina, para producir un campo magnético bajo la superficie de cerámica de vidrio. Cuando una sartén apta para inducción se coloca sobre la superficie de cocción, se inducen corrientes en la sartén y se genera calor instantáneamente. Para cocinar por inducción, se requieren utensilios de cocina hechos de materiales magnéticos, tales como el hierro forjado o el acero inoxidable magnético.

Para asegurarse de que todo el aceite residual del proceso de fabricación se haya eliminado, limpie a fondo la estufa con agua caliente y un detergente suave antes de utilizarla. Enjuague y seque con un paño suave. Consulte las recomendaciones sobre el cuidado en la página 20.

Para obtener los mejores resultados revise los modos de cocción y características especiales en la página 12.

⚠ PRECAUCIÓN

No coloque utensilios de cocina sobre el piso del horno ni utilice papel de aluminio u otro material para recubrir el piso o las paredes laterales del horno. Si hace caso omiso de este aviso se dañará el interior de porcelana y se anulará la garantía.

CLASIFICACIÓN DE LOS ELEMENTOS DE INDUCCIÓN

ESTUFA DE 30"	W
10 ¹ / ₂ " (267)	2600 3150 boost (aumento)
(2) 8" (203)	2100 3000 boost (aumento)
6" (152)	1400

ESTUFA DE 36"	W
10 ¹ / ₂ " (267)	2600 3700 boost (aumento)
(4) 8" (203)	2100 3000 boost (aumento)

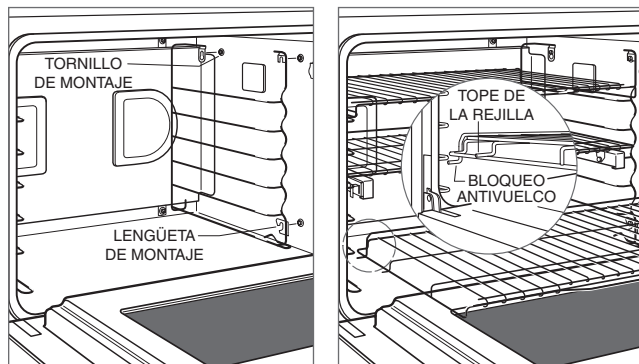
Rejillas del horno

GUÍAS DE LAS REJILLAS DEL HORNO

Para insertar las guías de las rejillas del horno busque los tornillos de montaje en las paredes laterales del horno. Coloque las lengüetas de montaje de la guía de la rejilla sobre los tornillos y deslice hasta que quede bien asentada. Consulte la siguiente ilustración.

REJILLAS DEL HORNO

Para insertar una rejilla estándar en el horno, coloque el bloqueo antivuelco de la rejilla debajo de los rieles laterales de la guía de la rejilla. Deslice la rejilla hacia atrás y levante para dejar libres los topes de la rejilla. Siga deslizando la rejilla hacia atrás hasta que esté completamente en el interior del horno. Consulte la siguiente ilustración.

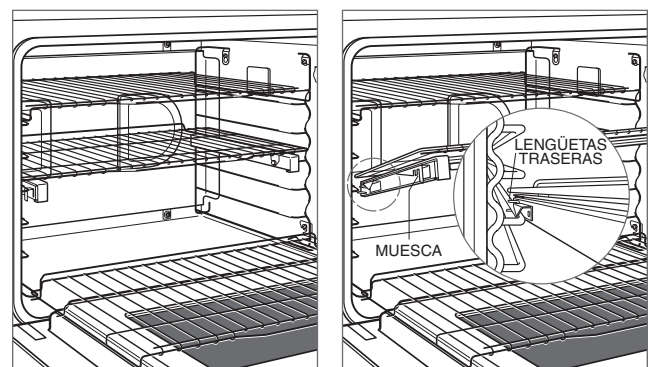


Guías de las rejillas del horno.

Bloqueo antivuelco para las rejillas del horno.

La rejilla inferior del horno tiene una capacidad de extensión completa que se apoya en la puerta del horno (con excepción del horno de 18"). Con la rejilla en la posición más baja de la guía de la rejilla, deslícela sobre las guías de la puerta para lograr mayor estabilidad y accesibilidad. Consulte la siguiente ilustración.


Para insertar una rejilla de extensión completa y de fácil deslizamiento, coloque las dos lengüetas posteriores sobre la guía de la rejilla (una lengüeta arriba y una abajo). Consulte la siguiente ilustración. Inclínela ligeramente y deslícela hasta que la muesca frontal de la rejilla se acople con la guía frontal de la rejilla.



Rejilla inferior.


Rejilla de extensión completa.

Funcionamiento del horno

Las estufas de inducción de Wolf utilizan una combinación de perilla de selección de modos de cocción, perilla de control de temperatura del horno y panel de control electrónico para seleccionar los modos de cocción deseados, la temperatura del horno y las funciones exclusivas. Para abrir el panel de control presione .

Las temperaturas se visualizan en grados Fahrenheit. Para cambiar a grados Centígrados, presione y mantenga presionado CLOCK (RELOJ) durante 5 segundos. Presione COOK TIME (TIEMPO DE COCCIÓN) para alternar entre °F y °C, a continuación presione ENTER (INTRO).

Para el uso del horno, Wolf ha creado un proceso de dos pasos para garantizar que el horno nunca se encienda accidentalmente:

- 1 Gire la perilla para seleccionar el modo de cocción que desea. Los modos de convección se indican mediante . Consulte la siguiente ilustración. Una vez seleccionado el modo de cocción deseado, la temperatura preestablecida aparecerá en la perilla de control.
- 2 Para seleccionar la temperatura preestablecida, presione ENTER (INTRO) en el panel de control o gire la perilla de control correspondiente para aumentar o disminuir la temperatura. Cualquier acción completa el segundo paso del proceso. La luz indicadora del horno se ilumina y comienza el precalentamiento.



Controles de horno.

LUZ DEL HORNO

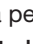
La luz del horno se enciende automáticamente al abrir la puerta y se apaga al cerrarla. Para encender la luz cuando la puerta está cerrada, presione OVEN LIGHT (LUZ DEL HORNO) en el panel de control.

PRECALENTAMIENTO

Durante el precalentamiento, el horno se calienta lo más rápido y uniforme posible y no es ideal para cocinar. El precalentamiento debe ser utilizado para todos los modos de cocción excepto el de asado y asado por convección. Durante el precalentamiento, las temperaturas inferiores a 150 °F (65 °C) aparecen como 'Lo'. Una vez que el precalentamiento esté completo, una señal sonora indica que el horno ha alcanzado la temperatura programada y la luz indicadora del horno deja de estar iluminada. Para ajustar la temperatura una vez que se ha completado el precalentamiento, gire la perilla a la temperatura deseada.

ANTES DE UTILIZARLO

Para asegurarse de que todo el aceite residual del proceso de fabricación se haya eliminado, cada horno tiene que pasar por el siguiente procedimiento.

- 1 Limpie cuidadosamente el horno con agua caliente y un detergente suave. Enjuague y seque con un paño suave.
- 2 Encienda la ventilación. La presencia de un poco de humo y olor es normal.
- 3 Gire la perilla de selección de modo a  ROAST (ASAR) y ajuste la temperatura a 550 °F (290 °C) durante una hora.
- 4 Gire la perilla de selección de modo a OFF (APAGAR) y deje enfriar el horno con la puerta cerrada.

Funcionamiento del horno

RELOJ

El reloj se visualiza en el panel de control durante todos los modos de cocción, excepto cuando el temporizador está en uso. Es muy importante fijar el reloj en la hora correcta si se utiliza la función de tiempo de cocción o tiempo de apagado. El reloj debe restablecerse después de un corte de energía.

Para configurar el reloj:

- 1 Presione CLOCK (RELOJ) en el panel de control.
- 2 Utilice las flechas de arriba y abajo para ajustar la hora del día. La hora cambiará de a.m. a p.m. al pasar de las 12:00.
- 3 Presione CLOCK (RELOJ). Una señal sonora indica que la hora ha quedado configurada.
- 4 Para cambiar al reloj de 24 horas, presione y mantenga presionado CLOCK (RELOJ) durante 5 segundos. Presione CLOCK (RELOJ), y luego ENTER (INTRO).

ENERGÍA EN MODO DE ESPERA CON RELOJ

La estufa se envía en modo de espera, el cual deshabilita el reloj aproximadamente 10 minutos después de que termine de funcionar el ventilador de enfriamiento o de que el horno esté inactivo. El reloj se iluminará después de tocar los controles o de utilizar el horno.

Activar/Desactivar energía en modo de espera:

- 1 Toque y mantenga presionado el botón CLOCK (Reloj) en el panel de control durante 5 segundos.
- 2 Toque el botón STOP TIME (Detener tiempo) para activarlo o desactivarlo y luego toque el botón ENTER (Intro).

TEMPORIZADOR

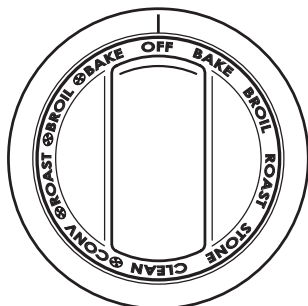
El temporizador se puede ajustar para un máximo de 9 horas y 59 minutos. Una vez que se ajusta el tiempo, la cuenta regresiva se ilumina en la pantalla del panel de control. El último minuto se cuenta en segundos. El temporizador es independiente del horno. Ajustar el temporizador no afecta el tiempo de cocción ni el tiempo de parada. Para obtener información acerca de las características del programa automático, consulte la página 14.

Para configurar el temporizador:

- 1 Presione TIMER (TEMPORIZADOR) en el panel de control.
- 2 Utilice las flechas de arriba y abajo para ajustar la hora en horas y minutos.
- 3 Pulse TIMER (TEMPORIZADOR) para empezar. Una señal sonora indica que el temporizador ha quedado configurado. El horno emitirá una señal sonora y el tiempo parpadeará cuando haya terminado. El temporizador seguirá sonando hasta que presione CLEAR (BORRAR) en el panel de control.

Modos de cocción

MODO	ANILLO	PRECONFIGURADO	RANGO	SONDA	UTILIZA
Convección	⊗ CONV	325°F (165°C)	170–550°F (75–290°C)	•	El movimiento uniforme del aire hace posible la cocción en varios niveles de rejillas con un dorado uniforme.
Hornear por convección	⊗ BAKE	375°F (190°C)	170–550°F (75–290°C)	•	Ideal para hornear tartas.
Asado por convección	⊗ BROIL	Br1 Br2 Br3	550°F (290°C) 450°F (230°C) 350°F (175°C)		Acorta el tiempo de asado para cortes más gruesos de carne, pescado y aves. Utilice la parrilla de dos partes y siempre realice el asado con la puerta del horno cerrada.
Asar por convección	⊗ ROAST	325°F (165°C)	170–550°F (75–290°C)	•	Perfecto para asar cortes tiernos de res, cordero, puerco y aves.
Hornear	BAKE	350°F (175°C)	170–550°F (75–290°C)	•	Lo mejor para cocinar en rejilla sencilla, principalmente alimentos horneados. Utilice para recetas estándar.
Asado	BROIL	Br1 Br2 Br3	550°F (290°C) 450°F (230°C) 350°F (175°C)		Lo mejor para asar piezas de carne, pescado y aves hasta de 1" de grosor. Utilice la parrilla de dos partes y siempre realice el asado con la puerta del horno cerrada.
Asar	ROAST	350°F (175°C)	170–550°F (75–290°C)	•	El mejor para asar cortes menos tiernos de carne, como asados en trozo y carne para estofado que debe ir cubierta.
Piedra para hornear	STONE	400°F (205°C)	170–550°F (75–290°C)	•	Hornear sobre una piedra cerámica. Excelente para pizza y pan. Se requiere un accesorio de piedra para hornear.
Deshidratación	⊗ CONV	135°F (60°C)	110–160°F (45–70°C)		Seca una variedad de frutas, vegetales y carnes. Se requieren accesorios para rejillas. Consulte la página 13.
Autolimpieza	CLEAN				El horno alcanza una temperatura extremadamente alta para permitir que los residuos de alimentos se quemen. Consulte la página 14.



Perilla de selección del modo de cocción.

Fermentación


Ajuste de los controles:

- 1 Gire la perilla de selección de modo a BAKE (HORNEAR).
- 2 Gire la perilla de control de temperatura hacia la izquierda hasta que aparezca 'PrF', luego suéltela.
- 3 La temperatura del horno está preestablecida a 85 °F (30 °C). Presione ENTER (INTRO) para seleccionar la temperatura preestablecida o gire la perilla de control para cambiar la temperatura. La pantalla alterna entre la temperatura programada y 'PrF'.

Dehydration

Se requiere un kit de accesorios. Los accesorios están disponibles a través de un distribuidor autorizado de Wolf. Para obtener más información acerca de los distribuidores locales, visite la sección para encontrar una sala de exposición de nuestro sitio web, wolfappliance.com.

Ajuste de los controles:

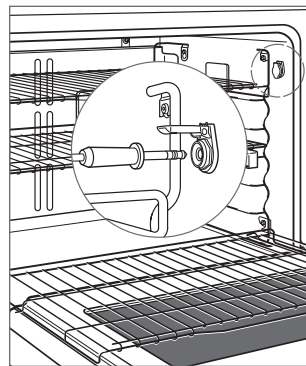
- 1 Coloque el tope de puerta suministrado con su kit de accesorios en la cerradura de la puerta del horno.
- 2 Gire la perilla de selección de modo a  CONV.
- 3 Gire la perilla de control del horno hacia la izquierda hasta que se visualice 'dEH', luego suelte la perilla.
- 4 La temperatura del horno está preestablecida a 110°F (45°C). Presione ENTER (INTRO) para seleccionar la temperatura preestablecida o gire la perilla de control para cambiar la temperatura. La pantalla alterna entre la temperatura programada y 'dEH'.

Sonda de temperatura

La sonda de temperatura mide la temperatura interna de los alimentos durante la cocción. Se puede utilizar con todos los modos de cocción excepto el de asado y asado por convección.

Ajuste de los controles:

- 1 Gire la perilla para seleccionar el modo de cocción que desea.
- 2 Presione ENTER (INTRO) para seleccionar la temperatura preestablecida o gire la perilla de control para cambiar la temperatura.
- 3 Inserte la sonda en la parte más gruesa de la comida. Al hacer pan, cocine aproximadamente 10 minutos antes de insertar la sonda.
- 4 Cuando el precalentamiento esté completo, utilice un guante de cocina para levantar la cubierta del recipiente de la sonda y luego inserte la sonda.
- 5 La temperatura de la sonda está preestablecida en 160 °F (70 °C). Presione ENTER (INTRO) para seleccionar la temperatura preestablecida o gire la perilla de control para cambiar la temperatura. La pantalla alterna entre la temperatura programada del horno y la temperatura real de la sonda. Para alternar entre el punto establecido de la sonda y la temperatura real de la sonda, presione PROBE (SONDA). Las temperaturas inferiores a 70 °F (20 °C) se visualizan como 'Lo'.
- 6 Una señal sonora indica que la temperatura interna ha alcanzado el punto establecido de la sonda. Retire y luego vuelva a insertar la sonda para comprobar la temperatura interna.



Recipiente de la sonda.

Programa automático

COCCIÓN CRONOMETRADA

La cocción cronometrada apaga automáticamente el horno a una hora específica. El horno empezará a calentar inmediatamente y se apagará a la hora que usted desee que se apague. El reloj debe estar configurado con la hora correcta para que la cocción cronometrada funcione correctamente. Utilice cualquier modo de cocción excepto el de asado, asado por convección y piedra para hornear.

Ajuste de los controles:

- 1 Gire la perilla para seleccionar el modo de cocción que desea.
- 2 Presione ENTER (INTRO) para seleccionar la temperatura preestablecida o gire la perilla de control para cambiar la temperatura.
- 3 Presione COOK TIME (TIEMPO DE COCCIÓN). Utilice las flechas para seleccionar el tiempo de la cocción deseado en horas y minutos.
- 4 Presione ENTER (INTRO).

INICIO RETARDADO

El inicio retardado enciende y apaga el horno automáticamente a una hora específica. El horno permanecerá inactivo hasta la hora de inicio deseada y se apagará a la hora que usted desee que se apague. El reloj debe estar configurado con la hora correcta para que el inicio retardado funcione correctamente. Utilice cualquier modo de cocción excepto el de asado, asado por convección y piedra para hornear.

Ajuste de los controles:

- 1 Gire la perilla para seleccionar el modo de cocción que desea.
- 2 Presione ENTER (INTRO) para seleccionar la temperatura preestablecida o gire la perilla de control para cambiar la temperatura. Si presiona ENTER (INTRO), el horno se encenderá inmediatamente, pero entrará en modo inactivo una vez que configure la hora de apagado.
- 3 Presione COOK TIME (TIEMPO DE COCCIÓN). Utilice las flechas para seleccionar el tiempo de la cocción deseado en horas y minutos.
- 4 Presione STOP TIME (TIEMPO DE APAGADO). Utilice las flechas para seleccionar la hora a la que el horno se debe apagar.
- 5 Presione ENTER (INTRO).

Autolimpieza

Durante la autolimpieza, el horno alcanza una temperatura extremadamente alta para quemar los residuos de los alimentos. Retire todas las rejillas del horno y las guías de las rejillas. Estas perderán su color si las deja dentro del horno durante la autolimpieza. La puerta del horno se bloqueará y permanecerá bloqueada hasta que autolimpieza esté completa y la temperatura del horno haya descendido a menos de 300 °F (150 °C). Los tiempos de autolimpieza incluyen una hora de enfriamiento.

Ajustar los controles para una autolimpieza de 4 horas:

- 1 Gire la perilla de selección de modo a CLEAN (AUTOLIMPIEZA).
- 2 Presione ENTER (INTRO).

Ajustar los controles para una autolimpieza de 3 horas:

- 1 Gire la perilla de selección de modo a CLEAN (AUTOLIMPIEZA).
- 2 Presione STOP TIME (TIEMPO DE APAGADO).
- 3 Presione la flecha hacia abajo para reducir el tiempo de apagado por 1 hora.
- 4 Presione ENTER (INTRO) dos veces.

⚠ PRECAUCIÓN

Durante la autolimpieza las superficies externas pueden alcanzar una temperatura más alta de lo normal. Debe mantener a los niños alejados.

Sabbath (solo en el horno)

Este electrodoméstico lleva el certificado Star-K que indica que cumple con estrictas normas religiosas junto con instrucciones específicas que aparecen en www.star-k.org. El modo de Sabbath anula la función de apagado automático por 12 horas. El modo de Sabbath debe restablecerse después de un corte de energía.

Ajuste de los controles:

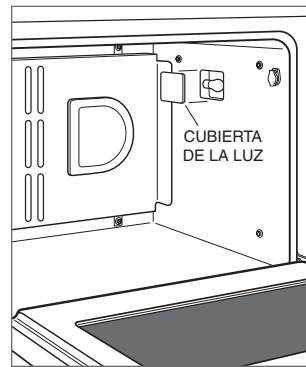
- 1 Encienda o apague la luz del horno.
- 2 Gire la perilla de selección de modo a BAKE (HORNEAR) o ROAST (ASAR) y seleccione la temperatura deseada.
- 3 Presione y mantenga presionado ENTER (INTRO) durante 5 segundos. 'SAb' aparecerá y parpadeará en la perilla de control del horno para indicar que el modo de Sabbath se ha iniciado.
- 4 Para cambiar la temperatura del horno mientras se encuentra en modo de Sabbath, gire la perilla de control. Cada giro aumentará o disminuirá la temperatura en 10° (F o C). La pantalla y la señal sonora están desactivadas, pero la temperatura cambiará de forma aleatoria después de seleccionar nueva temperatura. El horno permanecerá encendido hasta que gire el anillo de selección a OFF (APAGADO).

Luz del horno

⚠ ADVERTENCIA

Compruebe que la energía esté desconectada de la caja eléctrica antes de reemplazar el foco.

Deje que el horno enfríe por completo, luego retire las rejillas del horno y las guías de las rejillas. Para retirar la cubierta de la luz, haga palanca suavemente en el borde inferior con un destornillador plano. Retire el foco existente y reemplácelo con un foco de halógeno de 20 vatios. Consulte la siguiente ilustración.



Reemplazo del foco.

Funcionamiento de la superficie

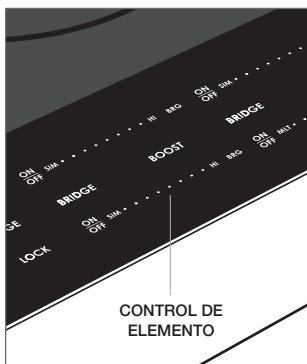
PANEL DE CONTROL

El panel de control viene con controles táctiles iluminados que no se ven cuando la superficie de cocción está apagada. Un indicador de nivel de potencia para cada control muestra la configuración térmica, desde SIM (MLT) hasta HI. Cada control se ubica en la posición correspondiente a la configuración del elemento calefactor. Consulte la siguiente ilustración.

Los indicadores del panel de control se iluminarán para indicar el funcionamiento específico de la superficie. Consulte la tabla siguiente.

INDICADORES

	Bloqueo del panel de control
	Elemento(s) encendido(s)
	Superficie caliente
	Fijar temporizador
	Modo con aumento
	Puente del frente hacia atrás
	Puente de lado a lado
	Puente general



Controles táctiles.

⚠ PRECAUCIÓN

No coloque utensilios de cocina directamente sobre el panel de control.

BLOQUEO DEL PANEL DE CONTROL

La función de bloqueo del panel de control impide el funcionamiento no deseado de la superficie. Presione y mantenga presionado LOCK (BLOQUEO) durante tres segundos para bloquear y desbloquear el panel de control. se iluminará cuando el panel de control está bloqueado.

El panel de control se bloqueará automáticamente después de 10 minutos de inactividad. Esta función de bloqueo automático puede deshabilitarse a través del menú de opciones extendidas. Consulte la página 19.

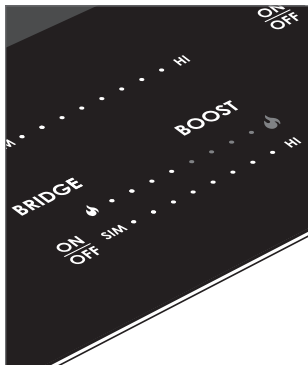
Cuando la estufa se conecta por primera vez y después se presenta corte de energía, la superficie de inducción entrará en modo de bloqueo de manera predeterminada.

Funcionamiento de la superficie

INDICADOR DEL NIVEL DE POTENCIA

Cuando un elemento está activo, un indicador de nivel de potencia se iluminará arriba del control correspondiente, indicando el nivel de calor. El calor más bajo se representa por la llama pequeña, la variación en los niveles de calor por los indicadores adicionales (puntos), y el calor más alto por todos los indicadores, incluyendo la llama grande. Consulte la tabla y la ilustración siguientes.

CONFIGURACIÓN	NIVEL DE POTENCIA	USOS
Derretir	Indicador 1 (llama pequeña)	Derretir mantequilla, mantener chocolate y salsas.
Fuego lento	Indicadores 2 a 6	Salsas a fuego lento y arroz al vapor.
Media	Indicadores 6 a 7	Preparar pan francés, panqueques, calentar leche, salsas de crema, sopas y salsas para carne.
Media alta	Indicadores 7 a 8	Salteado, dorado y freído.
Alta	Indicadores 8 a 10 (llama grande)	Hervir agua, cocinar carne y conservas.



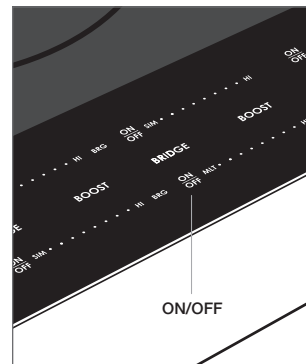
Indicador del nivel de potencia.

ELEMENTO SENCILLO Y ZONA INTERNA

Ajuste de los controles:

- 1 Para activar el elemento calefactor, en el panel de control pulse ON/OFF para el elemento sencillo deseado. El indicador de nivel de potencia destellará, y todos los indicadores para esa zona destellarán. Consulte la siguiente ilustración.
- 2 Para completar la activación, pulse HI para el calor más alto, SIM (MLT) para el calor más bajo, BOOST (inducción) para activar el modo con aumento, o pulse el indicador de nivel de potencia deseado.
- 3 Para cambiar la configuración mientras el elemento está encendido, pulse o deslice al nivel de potencia deseado.
- 4 Para apagar el elemento, pulse ON/OFF.

AVISO IMPORTANTE: Si después de la activación no se coloca sobre un elemento de inducción ningún utensilio de cocina, o se coloca una sartén incompatible, el control destellará durante 30 segundos, y después el elemento se apagará automáticamente.



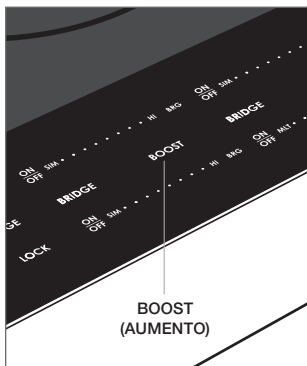
Activación del elemento.

Funcionamiento de la superficie

MODO CON AUMENTO

En el modo con aumento se incrementa la potencia en un elemento, desviando potencia de un elemento adyacente. Si el elemento adyacente está en potencia alta, la salida de potencia se reducirá. La reducción en la potencia se mostrará en el indicador de nivel de potencia del elemento adyacente. Consulte la siguiente ilustración. 🔥🔥 se iluminará cuando un elemento está en modo con aumento.

El modo con aumento se desactivará automáticamente después de 15 minutos de operación continua, y si se desea puede reactivarse.



Modo con aumento.

ELEMENTO PUENTE

Ajuste de los controles:

- 1 Para activar el puente, seleccione el nivel de potencia deseado en uno de los elementos sencillos.
- 2 Pulse BRIDGE entre los controles de elementos correspondientes, para puentear elementos del frente hacia atrás, BRG para puentear elementos de lado a lado, o ALL BRIDGE para puentear todos los elementos. 🔦, 🔦🔦 o 🔦🔦🔦 se iluminarán, respectivamente.
- 3 Para cambiar el nivel de potencia, ajuste el nivel de potencia en cualquiera de los elementos puenteados activos.
- 4 Para apagar, pulse ON/OFF en cualquiera de los elementos puenteados activos.

ALL BRIDGE deben usarse para utensilios de cocina mayores de 12" (305) de diámetro. Para utensilios de cocina menores, use el elemento posterior correcto.

USO TIPO PLANCHA

El elemento puente proporciona un área oblonga de calentamiento para usarse con una plancha, tostador abierto o besuguera.


Para precalentar una plancha, fije el nivel de potencia del elemento puente en "alta" durante cinco minutos, y después redúzcalo para cocinar.

⚠️ PRECAUCIÓN

Una plancha, un tostador abierto o una besuguera no deben usarse cuando el elemento puente está apagado, ni con ninguna otra combinación de elementos calefactores.

Funcionamiento de la superficie


TEMPORIZADOR

El temporizador puede fijarse hasta en 99 minutos, con incrementos de un minuto. Una vez que se fijó un tiempo,  se iluminará en el panel de control y la cuenta regresiva estará visible en la pantalla del temporizador. El temporizador es independiente de la superficie de cocción. Consulte la siguiente ilustración.


Para configurar el temporizador:

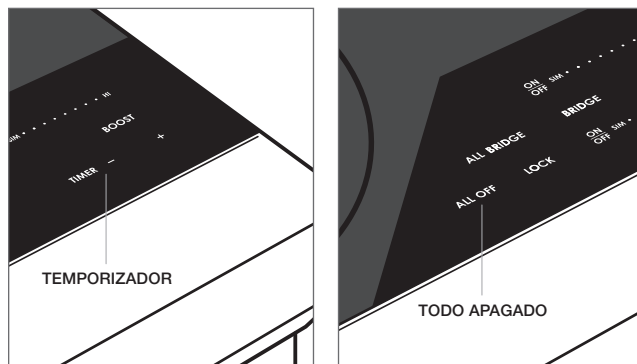
- 1 Pulse TIMER (TEMPORIZADOR).
- 2 Pulse y mantenga + o - hasta que el tiempo deseado se muestre en la pantalla del temporizador. El temporizador comenzará la cuenta regresiva en minutos.
- 3 Sonará una campana cuando en el temporizador quede un minuto, y completará la cuenta regresiva en segundos.
- 4 Al terminar, sonará una campana en el temporizador, y continuará sonando hasta que se pulse TIMER.

INDICADOR DE SUPERFICIE CALIENTE

 se iluminará en la superficie de control y podrá seguir iluminado aun cuando la superficie de inducción esté apagada.

TODO APAGADO

Cuando uno o más elementos están encendidos,  se iluminará en el panel de control. Para apagar todos los elementos simultáneamente, pulse ALL OFF.



Controles del temporizador.

Todo apagado.

OPCIONES EXTENDIDAS

La función de opciones extendidas permite al usuario fijar sus preferencias de volumen, tono y bloqueo de panel de control.

Ajuste de configuración:

- 1 Estando la unidad apagada y desbloqueada, pulse y mantenga ALL OFF durante cinco segundos.
- 2 Se mostrará Nivel de potencia 1 en el elemento de control trasero y aparecerá 'VO' en la pantalla del temporizador.

Pulse SIM (MLT) o HI en el control del elemento frontal para ajustar el volumen.
- 3 Pulse + en el control del temporizador para ajustar el volumen. Se mostrará Nivel de potencia 2 en el control del elemento trasero y aparecerá 'Fr' en la pantalla del temporizador.

Pulse SIM (MLT) o HI en el control del elemento frontal para ajustar el tono.
- 4 Pulse + en el control del temporizador para ajustar el bloqueo automático del panel de control. Se mostrará Nivel de potencia 3 en el control del elemento trasero y aparecerá 'Lo' en la pantalla del temporizador.

Pulse SIM (MLT) o HI en el control del elemento frontal para apagar y encender, respectivamente, la función de bloqueo automático.
- 5 Pulse ALL OFF en cualquier momento, estando en funciones extendidas, para confirmar las configuraciones y regresar la parrilla a "inactiva".

Recomendaciones sobre el cuidado

LIMPIEZA

Acero inoxidable	Use un limpiador no abrasivo para acero inoxidable y aplique con un paño suave sin pelusa. Para resaltar el lustre natural, limpie suavemente la superficie con una tela de microfibra humedecida con agua, seguida con una gamuza para pulir en seco. Siempre siga la dirección del acabado del acero inoxidable.
Superficie de cerámica de vidrio	Deje enfriar. Utilice desengrasante en aerosol para eliminar huellas digitales, y un limpiador de parrillas Ceran®, no abrasivo, para restos de alimentos. No permita que ningún artículo que pueda derretirse entre en contacto con la superficie de cerámica de vidrio cuando está caliente. Si esto sucede, para retirar lo innecesario utilice el raspador tipo navaja de rasurar que se le entregó con la parrilla.
Panel de control	Utilice desengrasante en aerosol para retirar las marcas de los dedos y los residuos de alimentos. Rocíe el producto en un paño antes de limpiar el panel. AVISO IMPORTANTE: no aplique los limpiadores directamente sobre el panel de control.
Perillas de control	Utilizando un paño húmedo, límpielos con detergente suave o desengrasante en aerosol; enjuague y deje secar. No los coloque en el lavavajillas.
Guías de las rejillas del horno	Retire y coloque sobre una superficie plana cerca del fregadero. Límpielas con agua caliente y un detergente suave o con pasta de bicarbonato de sodio y agua. No las sumerja en agua. Seque con una toalla.
Interior del horno	Antes de activar la función de autolimpieza, retire suavemente con un cuchillo los restos de alimentos adheridos a la cavidad y la puerta del horno. Para eliminar manchas difíciles, aplique un limpiador ligeramente abrasivo o desengrasante en aerosol y frótelos con una esponja Scotch-Brite™ cero rayones (rosa o azul). Lave la cavidad del horno con agua y jabón para eliminar todos los productos químicos de limpieza antes de activar el modo de autolimpieza. Si no se retiran los residuos de la cavidad, es posible que la porcelana se desgaste por corrosión. Una vez que el ciclo de autolimpieza haya terminado, deje enfriar el horno por completo y limpie la ceniza con un paño húmedo.
Parrilla para asar	Para limpiar la rejilla superior, utilice detergente suave y un estropajo. Enjuague y seque. Para limpiar la parrilla inferior, deseche la grasa y lave con agua caliente y detergente suave. Enjuague y seque. La rejilla superior de acero inoxidable puede lavarse en lavavajillas, sin embargo, no coloque ninguna rejilla o parrilla cubierta de porcelana en el lavavajillas.

Resolución de problemas

OPERACIÓN

La estufa no funciona.

- Compruebe si la unidad está encendida.
- Compruebe que la alimentación eléctrica a la unidad y el interruptor de circuito de la casa estén encendidos.
- El horno se apagará automáticamente después de 12 horas de uso continuo, excepto en los modos de deshidratación o Sabbath.

HORNO

Problema con la temperatura del horno.

- Póngase en contacto con la línea de atención al cliente de Wolf al 800-222-7820 para obtener recomendaciones.

No se visualiza la perilla de control.

- Jale la perilla de control del horno hacia fuera y vuelva a insertar plenamente. Apague el interruptor de circuito durante 5 segundos, después vuelva a encenderlo.

El panel táctil del panel de control no responde.

- Gire el anillo a OFF (APAGAR) para salir del modo de Sabbath.
- Apague el interruptor de circuito durante 5 segundos, después vuelva a encenderlo.

Se visualiza 'SAb' en la perilla de control del horno.

- Gire el anillo a OFF (APAGAR) para salir del modo de Sabbath.

Se visualiza 'PF' en la perilla de control del horno.

- La unidad tuvo un corte de energía. Gire el anillo de selección a un modo de cocción, luego regrese a OFF (APAGAR) para reiniciar.
- Apague el interruptor de circuito durante 5 segundos, después vuelva a encenderlo.

Se visualiza 'OE', 'OC' u otro error.

- Póngase en contacto con el servicio certificado de fábrica de Wolf.

El horno hace "pop" o "bang" durante el precalentamiento o el enfriamiento.

- Eso es normal debido a la expansión y contracción de la nueva cavidad del horno.
- Ejecute un ciclo de autolimpieza. Si el problema persiste, comuníquese con la línea de atención al cliente de Wolf al 800-222-7820.

SUPERFICIE DE INDUCCIÓN

Los elementos de inducción no funcionan.

- Compruebe si la unidad está encendida.
- Compruebe que la alimentación eléctrica a la estufa y el interruptor de circuito de la casa estén encendidos.
- La superficie de inducción esta en modo de bloqueo. Pulse y mantenga LOCK (BLOQUEO) durante tres segundos para desbloquear el panel de control.
- La superficie de inducción se apagará automáticamente después de 2 horas de uso continuo en potencia alta, 6 horas en potencia media y 8 horas en potencia baja.

Problema con la temperatura de la superficie.

- Póngase en contacto con la línea de atención al cliente de Wolf al 800-222-7820 para para obtener recomendaciones.

Resolución de problemas

SERVICIO

- Para mantener la calidad incorporada en su producto, póngase en contacto con el servicio certificado de fábrica de Wolf. Para obtener los datos del centro de servicio autorizado de Wolf más cercano, eche un vistazo a la sección de contacto y servicio técnico en nuestro sitio web, wolfappliance.com o llame a la línea de atención al cliente de Wolf al 800-222-7820.
- Al comunicarse con el servicio, necesitará el modelo y número de serie de su producto. Los dos números también aparecen en la placa de datos del producto. Consulte la página 8 para encontrar la placa de datos.
- Para fines de la garantía, usted también necesitará la fecha de instalación y el nombre de su distribuidor autorizado de Wolf. Esta información debe estar registrada en la página 2 de este manual.

Garantía limitada residencial de Wolf Appliance

PARA USO RESIDENCIAL

GARANTÍA COMPLETA DE DOS AÑOS*

Durante dos años a partir de la fecha de la instalación original, la garantía de su producto Wolf Appliance cubre todas las partes y mano de obra para reparar o reemplazar, bajo el uso residencial normal, cualquier parte del producto que se compruebe estar defectuosa en material o mano de obra. Todos los servicios proporcionados por Wolf Appliance bajo la garantía anterior deben ser ejecutados por servicios certificados de fábrica de Wolf, a menos que Wolf Appliance, Inc. lo especifique de otra manera. El Servicio será proporcionado durante el horario comercial normal.

GARANTÍA LIMITADA DE CINCO AÑOS

Por cinco años a partir de la fecha de la instalación original, Wolf Appliance reparará o reemplazará los siguientes componentes que se comprueben estar defectuosos en material o mano de obra: quemadores de gas (excluyendo la apariencia), elementos eléctricos de calentamiento, motores de sopladores (campanas de ventilación), módulos de control eléctrico, tubos magnetrón y generadores de inducción. Si el propietario utiliza el servicio certificado de fábrica de Wolf, el prestador del servicio reparará o reemplazará estas partes mediante el pago de todos los otros costos, incluyendo mano de obra, a cargo del propietario. Si el propietario utiliza un servicio no certificado, debe ponerse en contacto con Wolf Appliance, Inc. (utilizando la información anotada más adelante) para recibir los componentes reparados o de reemplazo. Wolf Appliance no reembolsará al propietario los importes correspondientes a componentes comprados a un servicio no certificado o a otras fuentes.

TÉRMINOS APLICABLES A CADA GARANTÍA

La garantía se aplica solamente a los productos instalados para uso residencial normal. La garantía se aplica solamente a los productos instalados en cualquiera de los cincuenta estados de los Estados Unidos, el Distrito de Columbia o las diez provincias de Canadá. Esta garantía no cubre las partes o mano de obra para corregir cualquier defecto causado por negligencia, accidente o uso, mantenimiento, instalación, servicio o reparación inadecuados.

LOS RECURSOS DESCRITOS ANTERIORMENTE PARA CADA GARANTÍA SON LOS ÚNICOS QUE WOLF APPLIANCE, INC. PROPORCIONARÁ, YA SEA BAJO ESTA GARANTÍA O BAJO CUALQUIER GARANTÍA QUE RESULTE DE LA APLICACIÓN DE LA LEY. WOLF APPLIANCE, INC. NO SE HACE RESPONSABLE POR LOS DAÑOS INDIRECTOS O INCIDENTALES DERIVADOS DE LA VIOLACIÓN DE ESTA GARANTÍA O CUALQUIER OTRA GARANTÍA, YA SEA EXPRESA, IMPLÍCITA O LEGAL.

Algunos estados no permiten la exclusión o limitación de daños incidentales o consecuentes, por lo tanto la limitación o exclusión anterior podrían no aplicarse en su caso. Esta garantía le otorga derechos legales específicos, y usted también puede tener otros derechos legales que varían entre estados.

Para recibir las partes o el servicio y el nombre del servicio certificado de fábrica de Wolf más cercano a usted, póngase en contacto con Wolf Appliance, Inc., P.O. Box 44848, Madison, WI 53744; eche un vistazo a la sección de contacto y servicio técnico en nuestro sitio web, wolfappliance.com, envíenos un correo electrónico a customerservice@subzero.com o llame al 800-222-7820.

*Las puertas, paneles, manijas, estructuras de acero inoxidable y superficies internas están cubiertas por una garantía limitada de 60 días sobre piezas y mano de obra, por defectos cosméticos.

*Los filtros de repuesto para los kits de circulación de la campana de ventilación no están cubiertos por la garantía del producto.



Table des matières

- 4 Précautions de sécurité
- 8 Caractéristiques de la cuisinière à induction
- 9 Fonctionnement du four
- 16 Fonctionnement de la surface
- 20 Conseils d'entretien
- 21 Dépannage
- 23 Garantie Wolf

Service à la clientèle

Le numéro de modèle et le numéro de série sont imprimés sur la fiche d'enregistrement du produit ci-jointe. Les deux numéros sont aussi indiqués sur la plaque signalétique du produit. Reportez-vous à la page 8 pour connaître l'emplacement de la plaque signalétique. Pour les besoins de la garantie, vous devrez aussi avoir la date d'installation et le nom de votre dépositaire Wolf autorisé. Inscrivez ces renseignements ci-dessous pour consultation ultérieure.

Si votre produit a besoin d'être réparé, assurez-vous d'utiliser un fournisseur de service certifié par l'usine Wolf recommandé par notre centre de service à la clientèle, ou sélectionnez-en un parmi la liste de fournisseurs disponibles à wolfappliance.com/locator. Tous les fournisseurs de service certifiés par l'usine sont soigneusement sélectionnés et rigoureusement formés par nous.

RENSEIGNEMENTS SUR LE SERVICE

Numéro de modèle

Numéro de série

Date de l'installation

Nom du service certifié

Numéro du service certifié

Dépositaire autorisé

Numéro du dépositaire

Remarque importante

Pour s'assurer que ce produit est installé et utilisé en toute sécurité et aussi efficacement que possible, prenez note des types de renseignement mis en évidence tout au long de ce guide :

REMARQUE IMPORTANTE met en évidence des renseignements qui sont particulièrement importants.

MISE EN GARDE indique une situation où une blessure mineure ou des dommages au produit peuvent se produire si les directives ne sont pas respectées.

AVERTISSEMENT décrit un danger qui peut causer une blessure grave ou la mort si les précautions ne sont pas respectées.

REMARQUE IMPORTANTE : tout au long de ce guide, les dimensions entre parenthèses sont en millimètres à moins d'indication contraire.

Merci

Merci de votre achat. Nous nous réjouissons à l'idée de faire partie de votre résidence pendant des décennies à venir. À titre d'entreprise familiale de troisième génération, nous avons un intérêt personnel dans la préparation des aliments de votre famille. Nous avons bâti notre entreprise et notre réputation en aidant les familles à servir les meilleurs aliments qui soient.

Grâce à votre achat, vous obtiendrez l'une des garanties les plus robustes de l'industrie des appareils électroménagers. Prenez un moment pour lire la déclaration de garantie complète à la page 23. Il est aussi important d'enregistrer votre appareil Wolf pour vous assurer de ne pas manquer les avantages exclusifs offerts aux propriétaires, comme l'assurance que vous serez pris en charge dans le cas peu probable où un service serait nécessaire durant la période de garantie et d'avoir une preuve d'achat en cas de réclamation d'assurance habitation. Vous pouvez effectuer l'enregistrement de l'une des façons suivantes :

- En postant la fiche d'enregistrement du produit Wolf dûment remplie.
- En enregistrant votre appareil en ligne à wolfappliance.com/register et en créant un compte personnalisé My Sub-Zero/Wolf avec le numéro de série de votre produit.
- Par téléphone en appelant le service à la clientèle de Wolf au 800-222-7820.

À titre de propriétaire Wolf, vous pouvez compter sur un soutien continu, jour après jour. Notre centre de service à la clientèle est offert 24 heures par jour, sept jours par semaine et composé d'employés experts en produit bien informés dans notre usine de Madison au Wisconsin. En cas de besoin, composez simplement le 800-222-7820 et parlez avec un de nos experts en produit. Ils vous aideront à résoudre tout problème que vous pourriez avoir.

Nous sommes confiants que ce guide répondra à vos questions au sujet des caractéristiques, du fonctionnement et de l'entretien de votre Wolf, mais si vous avez des questions supplémentaires, communiquez avec nous au 800-222-7820 ou visitez-nous en ligne à wolfappliance.com.



DIRECTIVES IMPORTANTES

⚠ AVERTISSEMENT

Un enfant ou un adulte peuvent faire basculer cet appareil et être tués.

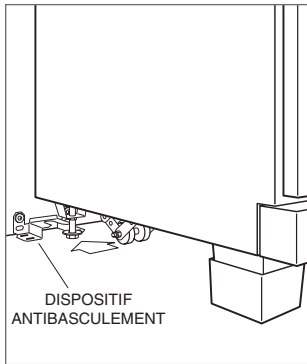
Vérifiez que le dispositif antibasculement est correctement installé et enclenché. Assurez-vous que le dispositif antibasculement est enclenché à nouveau lorsque l'appareil est déplacé. Reportez-vous aux illustrations ci-dessous pour savoir comment vérifier l'installation.

Ne faites pas fonctionner cet appareil sans que le dispositif antibasculement ne soit en place et enclenché. Le non-respect de cette directive peut entraîner la mort ou des brûlures graves aux enfants ou aux adultes.

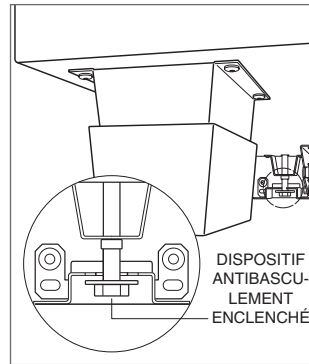
Pour réduire le risque de brûlure, ne déplacez pas cet appareil lorsqu'il est chaud.

PRÉCAUTIONS DE SÉCURITÉ GÉNÉRALE

- Lisez ce guide attentivement avant d'utiliser cet appareil afin de réduire le risque d'incendie, de choc électrique ou de blessures.
- Assurez-vous que l'installation et le service sont appropriés. Cet appareil doit être correctement installé et mis à la terre par un technicien qualifié. Demandez à l'installateur de vous montrer l'emplacement du disjoncteur ou du fusible afin que vous sachiez où couper le courant.
- Le service de garantie doit être effectué par un centre de service Wolf certifié par l'usine.
- Ne réparez pas et ne remplacez pas toute pièce de l'appareil à moins que cela ne soit spécifiquement recommandé dans la documentation que vous avez reçue. Tout service doit être effectué par un centre de service Wolf certifié par l'usine.
- **REMARQUE IMPORTANTE** : la performance peut être compromise si l'alimentation électrique est inférieure à 240 volts.



Emplacement du dispositif antibasculement.



Dispositif antibasculement enclenché.

DIRECTIVES IMPORTANTES

PRÉCAUTIONS DE SÉCURITÉ GÉNÉRALE

- Gardez la zone de l'appareil propre et libre de matériaux combustibles.
- Faites attention lorsque vous ouvrez la porte du four. Laissez l'air chaud ou la vapeur s'échapper avant de regarder ou de mettre les bras dans le four.
- N'utilisez pas du papier en aluminium pour couvrir toute partie de cet appareil.
- Assurez-vous que l'admission d'air frais du four (au-dessus de la porte) et le conduit de sortie du four (sous la porte) soient dégagés en tout temps.
- Ne bloquez pas le débit d'air pour assurer une combustion et une ventilation appropriées.
- Portez des vêtements appropriés. Des vêtements lâches ou pendants ne doivent jamais être portés lorsque vous utilisez cet appareil.
- Faites extrêmement attention lorsque vous déplacez une marmite de graisse ou jetez de la graisse chaude.
- Utilisez toujours des poignées sèches pour retirer les casseroles de cet appareil. Des poignées mouillées ou humides peuvent causer des brûlures de vapeur. N'utilisez pas une serviette ou un chiffon épais au lieu de poignées.
- Placez les grilles du four aux endroits désirés lorsque le four est froid. Si une grille doit être déplacée et que le four est déjà chaud, assurez-vous que les poignées n'entrent pas en contact avec l'élément chauffant chaud du four.
- Nettoyez seulement les pièces indiquées dans ce guide.
- N'utilisez pas de nettoyants pour le four. Aucun nettoyant pour le four commercial ni aucun revêtement protecteur de toute sorte ne doivent être utilisés dans ou autour des pièces du four.
- Avant d'utiliser la fonction autonettoyage, retirez la lèchefrite, les grilles du four, les guides de grille et tout autre ustensile.
- Ne nettoyez pas le joint du four; le frottement ou le déplacement du joint peuvent compromettre l'étanchéité de la porte.
- Ne touchez pas aux éléments chauffants ou aux surfaces intérieures du four. Les éléments chauffants peuvent être chauds même s'ils sont de couleur foncée. Les surfaces intérieures deviennent assez chaudes pour causer des brûlures. Pendant et après l'utilisation, ne touchez pas et ne laissez pas les vêtements ou d'autres matériaux inflammables entrer en contact avec les éléments chauffants ou les surfaces intérieures du four avant qu'ils n'aient eu suffisamment de temps pour se refroidir.
- Ne laissez pas des enfants seuls ou sans surveillance dans la zone où cet appareil est utilisé. Ne laissez jamais des enfants s'asseoir ou se tenir debout sur l'appareil.
- Ne rangez pas des articles intéressants pour les enfants au-dessus ou à l'arrière de cet appareil puisqu'ils pourraient grimper sur l'appareil pour les atteindre et se blesser.
- Ne chauffez pas des contenants d'aliment non ouverts comme les pots et les boîtes de nourriture pour bébé. L'accumulation de pression peut faire éclater le contenant et causer des blessures.
- Ne rangez pas des matériaux inflammables près des brûleurs et ne laissez pas de la graisse ou d'autres substances inflammables s'accumuler sur la surface de cuisson.

IMPORTANT INSTRUCTIONS

- N'utilisez pas de l'eau sur des incendies de graisse. Éteignez la flamme ou utilisez un extincteur à poudre chimique ou à mousse.
- Ne laissez jamais cet appareil sans surveillance lorsqu'il fonctionne. Les débordements par bouillonnement et les renversements de graisse peuvent créer de la fumée ou s'enflammer.
- Sélectionnez des chaudrons dont la taille, le matériau et la fabrication sont appropriés pour la cuisson qui sera effectuée. Cette unité est munie d'éléments à induction de tailles différentes. Reportez-vous à la classification des éléments à la page 8.
- Ne faites jamais chauffer un chaudron vide. Cela peut endommager la surface de cuisson ou le chaudron et faire surchauffer l'unité.
- Ne faites pas chauffer des chaudrons ayant des gouttes d'eau à l'extérieur. Les gouttes peuvent commencer à bouillir et éclabousser la surface. Les chaudrons doivent toujours être secs.
- Lorsque vous utilisez la surface de cuisson, ne touchez pas à la surface en verre directement au-dessus ou à côté des éléments ou des zones à induction. La surface en verre peut devenir assez chaude pour causer des brûlures.
- Tournez toujours les poignées des chaudrons vers l'intérieur afin qu'elles ne se prolongent pas au-delà des zones de travail adjacentes, des éléments à induction ou des rebords de la surface de cuisson pour réduire le risque de brûlures, d'allumage de matériaux inflammables et de renversement en raison d'un contact non prévu avec le chaudron. Ne tournez pas les poignées vers la pièce là où elles peuvent être facilement percutées ou frappées.
- Ne faites pas fonctionner les éléments à induction si la surface en vitrocéramique est brisée ou gravement piquée. Appelez le service Wolf certifié par l'usine pour faire réparer la cuisinière.
- Ne rangez pas des matériaux inflammables près de composants chauds et ne laissez pas de la graisse ou d'autres substances inflammables s'accumuler sur la surface de cuisson.
- Ne nettoyez pas la surface à induction pendant qu'elle est encore chaude. Si vous utilisez une éponge ou un chiffon humide, attendez que la surface soit assez fraîche pour éviter toute brûlure de vapeur. De plus, certains nettoyants émettent des fumées nocives lorsqu'ils sont appliqués sur des surfaces chaudes. Reportez-vous aux conseils d'entretien à la page 20.
- N'utilisez pas une crêpière, une rôtissoire ouverte ou une poissonnière sur deux éléments chauffants à moins que l'élément de raccordement ne soit allumé. Ce type d'utilisation sans l'élément de raccordement allumé pourrait endommager ou craqueler le verre. Reportez-vous à l'élément de raccordement à la page 18.
- Ne bloquez pas la sortie du ventilateur de refroidissement ou les prises d'air extérieures. Le ventilateur de refroidissement se met automatiquement en marche pour refroidir les pièces internes. Elle peut continuer à fonctionner même après que la surface de cuisson ait été éteinte.

DIRECTIVES IMPORTANTES

PROPOSITION 65 DE LA CALIFORNIE

▲ AVERTISSEMENT


Ce produit peut contenir des produits chimiques reconnus par l'état de la Californie comme causant le cancer ou des troubles reproductifs.

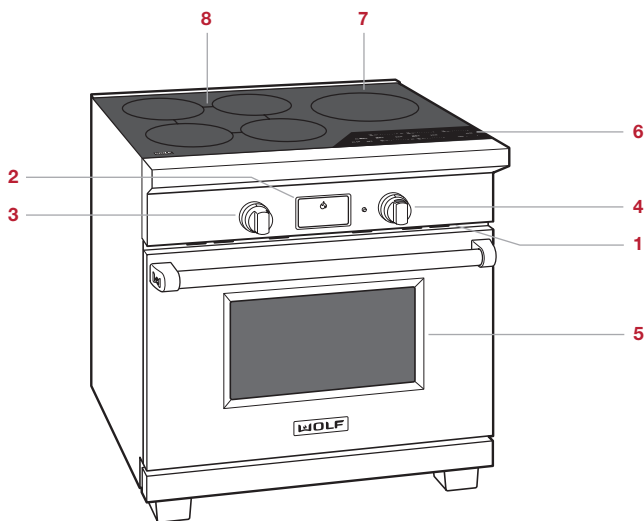
COMMONWEALTH DU MASSACHUSETTS

- Les installations et les réparations doivent être effectuées par un entrepreneur ou un plombier qualifié ou autorisé ou un monteur d'installation au gaz qualifié ou autorisé par l'État, la province ou la région où cet appareil sera installé.

Caractéristiques de la cuisinière à induction

CARACTÉRISTIQUES

1	Plaque signalétique du produit
2	Panneau de commande (appuyez sur  pour y accéder)
3	Bouton sélecteur du mode de cuisson du four
4	Bouton de commande de la température du four
5	Four à convection
6	Panneau de commande de la surface
7	Élément à induction
8	Élément de raccordement



Cuisinière à induction de 36 po illustrée.

Comment commencer

Nous savons que vous êtes impatient de commencer à cuisiner, mais avant de le faire, veuillez prendre quelques instants pour lire ce guide d'utilisation et d'entretien. Que vous soyez un cuisinier occasionnel ou un chef expert, il vous sera bénéfique de vous familiariser avec les pratiques de sécurité, les caractéristiques, le fonctionnement et les recommandations d'entretien de votre cuisinière à induction de Wolf.

Dans la cuisson à induction, l'électricité circule à travers un serpentin pour produire un champ magnétique sous la surface en vitrocéramique. Lorsqu'un chaudron compatible à l'induction est placé sur la surface de cuisson, les courants sont induits dans le chaudron et de la chaleur est instantanément générée. Des casseroles faites de matériaux magnétiques, comme la fonte ou l'acier inoxydable magnétique sont requises pour la cuisson à induction.

Pour s'assurer que toute l'huile résiduelle du processus de fabrication a été enlevée, nettoyez la cuisinière à fond avec de l'eau chaude et un détergent doux avant de l'utiliser. Rincez et séchez avec un chiffon doux. Reportez-vous aux recommandations d'entretien à la page 20.

Pour obtenir les meilleurs résultats, réviser les modes de cuisson et les caractéristiques spéciales à la page 12.

⚠ MISE EN GARDE

Ne placez pas des casseroles dans le fond du four et n'utilisez pas du papier d'aluminium ou d'autres matériaux pour couvrir le fond ou les parois du four. Le non-respect de cet avis endommagera l'intérieur en porcelaine et annulera votre garantie.

CLASSIFICATION DE L'ÉLÉMENT À INDUCTION

CUISINIÈRE DE 30 PO		W
10 ¹ / ₂ " (267)	2600 3150 boost (suralimentation)	
(2) 8" (203)	2100 3000 boost (suralimentation)	
6" (152)		1400
CUISINIÈRE DE 36 PO		W
10 ¹ / ₂ " (267)	2600 3700 boost (suralimentation)	
(4) 8" (203)	2100 3000 boost (suralimentation)	

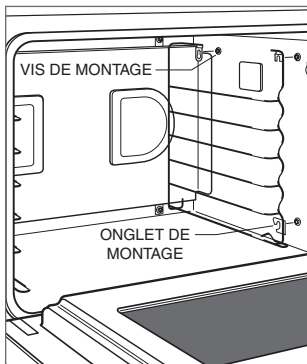
Grilles du four

GUIDES DES GRILLES DU FOUR

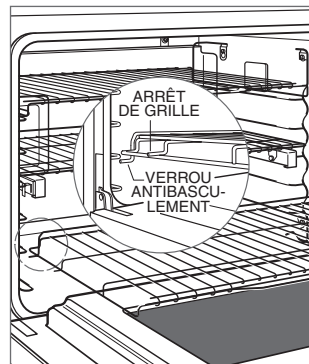
Pour insérer les guides de grille dans le four, repérez les vis de montage dans les parois latérales du four. Placez les onglets de montage du guide de grille sur les vis et glissez vers le bas jusqu'à ce qu'il soit bien appuyé. Reportez-vous à l'illustration ci-dessous.

GRILLES DE FOUR

Pour insérer une grille standard dans le four, placez le verrou antibasculement de la grille sous les rails latéraux du guide de grille. Glissez la grille vers l'arrière et soulevez-la pour contourner les arrêts de grille. Continuez à glisser la grille vers l'arrière jusqu'à ce qu'elle soit complètement à l'intérieur du four. Reportez-vous à l'illustration ci-dessous.



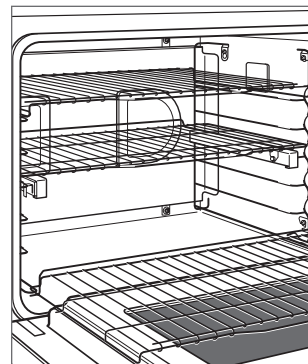
Guides de grille du four.



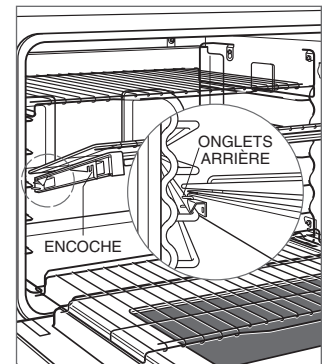
Verrouillage antibasculement de grille du four.

La grille de four inférieure peut être sortie complètement et soutenue par la porte du four. La grille étant à la position de guide de grille la plus basse, glissez-la sur les guides de porte pour augmenter sa stabilité et son accès. Reportez-vous à l'illustration ci-dessous.

Pour insérer une grille facile à glisser à extension complète, placez les deux onglets arrière sur le guide de grille (un onglet au-dessus et un onglet en-dessous). Reportez-vous à l'illustration ci-dessous. Inclinez la grille légèrement et glissez-la vers l'arrière jusqu'à ce que l'encoche de grille avant enclenche le guide de grille avant.




Grille inférieure.




Grille à extension complète.

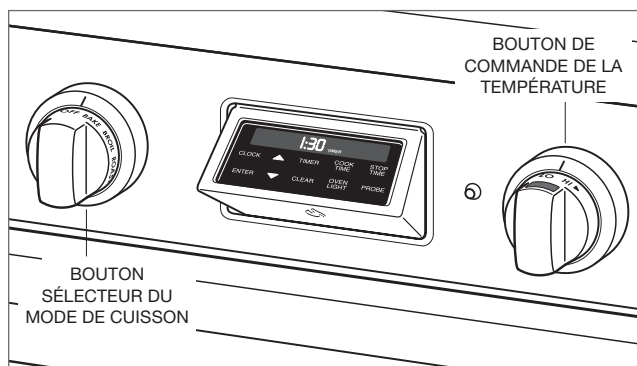
Fonctionnement du four

Les cuisinières à induction de Wolf utilisent une combinaison d'un bouton sélecteur de mode de cuisson, de bouton de commande de la température du four et un panneau de commande électronique pour sélectionner les modes de cuisson désirés, la température du four et les fonctions exclusives. Ouvrez le panneau de commande en appuyant sur .

Les températures sont affichées en Fahrenheit. Pour passer à Celsius, touchez et tenez la touche CLOCK (horloge) pendant cinq secondes. Touchez à COOK TIME (durée de cuisson) pour alterner entre °F et °C, puis touchez à ENTER (entrée).

Lorsque vous utilisez le four, Wolf a créé un processus à deux étapes pour s'assurer qu'il n'est jamais accidentellement mis en marche :

- 1 Tournez le bouton sélecteur au mode de cuisson désiré. Les modes à convection sont indiqués par . Reportez-vous à l'illustration ci-dessous. Une fois le mode de cuisson désiré choisi, une température pré-réglée apparaîtra sur le bouton de commande.
- 2 Sélectionnez une température pré-réglée en touchant à ENTER (entrée) sur le panneau de commande ou tournez le bouton de commande de la température pour augmenter ou réduire la température. Chaque action termine la seconde étape du processus. Le voyant du four s'allume et le préchauffage commence.



Les commandes du four.

LUMIÈRE DU FOUR

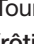
La lumière du four s'allume automatiquement lorsque la porte est ouverte et s'éteint lorsqu'elle est fermée. Pour allumer la lumière lorsque la porte est fermée, touchez à OVEN LIGHT sur le panneau de commande.

PRÉCHAUFFAGE

Durant le préchauffage, le four se chauffe aussi rapidement et uniformément que possible et il n'est pas à son meilleur pour la cuisson. Le préchauffage doit être utilisé pour tous les modes de cuisson, sauf grillage et grillage par convection. Durant le préchauffage, les températures inférieures à 150 °F (65 °C) apparaissent comme « Lo ». Une fois le préchauffage terminé, une sonnerie retentit indiquant que le four a atteint la température choisie et le voyant du four n'est plus illuminé. Pour modifier la température lorsque le préchauffage est terminé, tournez le bouton jusqu'à la température désirée.

AVANT L'UTILISATION

Pour s'assurer que toute l'huile résiduelle du processus de fabrication ait été éliminée, chaque four doit subir la procédure suivante.

- 1 Nettoyez le four à fond avec de l'eau chaude et un détergent doux. Rincez et séchez avec un chiffon doux.
- 2 Mettez la ventilation en marche. Il est normal de voir de la fumée et de sentir une odeur.
- 3 Tournez le bouton sélecteur de mode à  ROAST (rôtissage) et réglez la température à 550 °F (290 °C) pendant une heure.
- 4 Tournez le bouton sélecteur de mode à OFF (arrêt) et laissez le four se refroidir en gardant la porte fermée.

Fonctionnement du four

CLOCK (HORLOGE)

L'horloge est visible sur le panneau de commande durant tous les modes de cuisson, sauf lorsque la minuterie est utilisée. Il est très important que l'horloge soit réglée à la bonne heure si la fonction durée de cuisson ou cuisson minutée est utilisée. L'horloge doit être réinitialisée après une panne de courant.

Réglage de l'horloge :

- 1 Touchez à CLOCK (horloge) sur le panneau de commande.
- 2 Utilisez les flèches vers le haut et le bas pour régler l'heure du jour. L'heure passera de « am » à « pm » après 12:00.
- 3 Touchez à CLOCK (horloge). Une sonnerie retentit indiquant que l'heure a été réglée.
- 4 Pour passer à l'horloge de 24 heures, appuyez et tenez la touche CLOCK (horloge) pendant cinq secondes. Touchez à CLOCK (horloge), puis à ENTER (entrée).

ALIMENTATION DE SECOURS DE L'HORLOGE

La cuisinière est expédiée en mode d'alimentation de secours qui désactive l'horloge dans un délai d'environ 10 minutes après la fin du fonctionnement du ventilateur de refroidissement ou d'inactivité du four. L'horloge s'illumine lorsque les touches des commandes sont enfoncées ou lorsque le four est utilisé.

Activer/désactiver l'alimentation de secours :

- 1 Touchez et tenez la touche CLOCK (horloge) sur le panneau de contrôle pendant cinq secondes.
- 2 Touchez à STOP TIME (heure d'arrêt) pour basculer entre la marche et l'arrêt, puis touchez à ENTER (entrée).

TIMER (MINUTERIE)

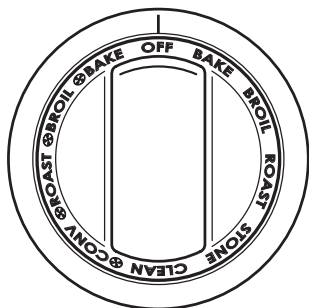
La minuterie peut être réglée pour une période maximale de 9 heures et 59 minutes. Une fois la durée réglée, le décompte s'illumine sur l'écran du panneau de commande. La dernière minute s'affiche en secondes. La minuterie est indépendante du four. Le réglage de la minuterie n'affecte pas la durée de cuisson ou l'heure d'arrêt. Pour des renseignements au sujet des fonctions de programmation automatique, reportez-vous à la page 14.

Réglage de la minuterie :

- 1 Touchez à TIMER (minuterie) sur le panneau de commande.
- 2 Utilisez les flèches vers le haut et le bas pour régler la durée en heures et minutes.
- 3 Touchez à TIMER (minuterie) pour commencer. Une sonnerie retentit indiquant que la minuterie a été réglée. Le four retentira et l'heure clignotera lorsque la cuisson sera terminée. La minuterie continuera de retentir jusqu'à ce que CLEAR (annuler) soit enfoncé sur le panneau de commande.

Modes de cuisson

MODE	CADRAN	PRÉ-RÉGLAGE	ÉTENDUE	SONDE	UTILISATIONS
Convection	☉ CONV	325°F (165°C)	170–550°F (75–290°C)	•	Il est possible de cuire sur plusieurs grilles avec brunissage uniforme dans ce mode grâce au mouvement uniforme de l'air.
Cuisson par convection	☉ BAKE	375°F (190°C)	170–550°F (75–290°C)	•	Idéal pour la cuisson des tartes.
Grillage par convection	☉ BROIL	Br1 Br2 Br3	550°F (290°C) 450°F (230°C) 350°F (175°C)		Réduit les temps de grillage pour les tranches épaisses de viande, de poisson et de volaille. Utilisez la lèchefrite à deux pièces et grillez toujours en gardant la porte du four fermée.
Rôtissage par convection	☉ ROAST	325°F (165°C)	170–550°F (75–290°C)	•	Idéal pour rôtir des coupes tendres de bœuf, d'agneau, de porc et de volaille.
Cuisson	BAKE	350°F (175°C)	170–550°F (75–290°C)	•	Idéal pour la cuisson sur une seule grille, surtout pour les aliments de boulangerie. À utiliser pour les recettes standards.
Grillage	BROIL	Br1 Br2 Br3	550°F (290°C) 450°F (230°C) 350°F (175°C)		Convient au grillage des morceaux de viande, de poisson et de volaille jusqu'à 1 po d'épaisseur. Utilisez la lèchefrite à deux pièces et grillez toujours en gardant la porte du four fermée.
Rôtissage	ROAST	350°F (175°C)	170–550°F (75–290°C)	•	Convient pour le rôtissage de coupes moins tendres de viande, comme les rôtis de palette et la viande à ragoût, qui doivent être couvertes.
Pierre de cuisson	STONE	400°F (205°C)	170–550°F (75–290°C)	•	Cuisson sur une pierre en céramique. Idéale pour les pizzas et le pain. L'accessoire à pierre de cuisson est requis.
Déshydratation	☉ CONV	135°F (60°C)	110–160°F (45–70°C)		Sèche une variété de fruits, légumes et viandes. Des grilles accessoires sont requises. Reportez-vous à la page 13.
Autonettoyage	CLEAN				Le four se chauffe jusqu'à une température extrêmement élevée pour permettre de brûler les restes de nourriture. Reportez-vous à la page 14.



Bouton sélecteur du mode de cuisson.

Apprêt

Réglage des commandes :

- 1 Tournez le bouton sélecteur de mode à BAKE (cuisson).
- 2 Tournez le bouton de commande de la température vers la gauche jusqu'à ce que « PrF » soit affiché, puis relâchez-le.
- 3 La température du four est pré-réglée à 85 °F (30 °C). Touchez à ENTER (entrée) pour sélectionner une température pré-réglée ou tournez le bouton de commande pour modifier la température. L'affichage bascule entre la température réglée et « PrF ».

Déshydratation

Une trousse d'accessoire est requise. Les accessoires sont offerts par les dépositaires Wolf autorisés. Pour obtenir des renseignements sur le dépositaire local, visitez la section salle d'exposition de notre site Web, wolfappliance.com.

Réglage des commandes :

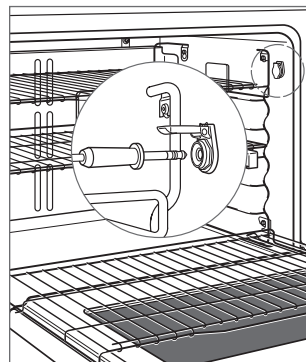
- 1 Placez la butée de porte fournie avec la trousse d'accessoires dans le verrou de la porte du four.
- 2 Tournez le bouton sélecteur de mode à **CONV**.
- 3 Tournez le bouton de commande du four vers la gauche jusqu'à ce que « dEH » soit affiché, puis relâchez-le.
- 4 La température du four est pré-réglée à 110 °F (45 °C). Touchez à ENTER (entrée) pour sélectionner une température pré-réglée ou tournez le bouton de commande pour modifier la température. L'affichage bascule entre la température réglée et « dEH ».

Sonde de température

La sonde de température mesure la température interne des aliments pendant la cuisson. Elle peut être utilisée avec tous les modes de cuisson, sauf grillage et grillage par convection.

Réglage des commandes :

- 1 Tournez le bouton sélecteur de mode au mode de cuisson désiré.
- 2 Touch ENTER to select preset temperature or turn temperature control knob to change temperature.
- 3 Insérez la sonde dans la zone la plus épaisse de l'aliment. Lorsque vous faites du pain, cuisez pendant environ 10 minutes avant d'insérer la sonde.
- 4 Lorsque le préchauffage est terminé, utilisez une poignée pour soulever le couvercle de la prise de sonde, puis insérez la sonde. Reportez-vous à l'illustration ci-dessous.
- 5 La température de la sonde est pré-réglée à 160 °F (70 °C). Touchez à ENTER (entrée) pour sélectionner une température pré-réglée ou tournez le bouton de commande pour modifier la température. L'affichage bascule entre la température réglée du four et la température réelle de la sonde. Pour basculer entre le réglage de la température réglée de la sonde et la température réelle de la sonde, appuyez sur PROBE (sonde). Les températures inférieures à 70 °F (20 °C) sont affichées comme « Lo ».
- 6 Une sonnerie retentit indiquant que la température interne a atteint le point de réglage de la sonde. Retirez, puis insérez la sonde à nouveau pour vérifier la température interne.



Prise de la sonde.

Programmation automatique

CUISSON MINUTÉE

La cuisson minutée éteint automatiquement le four à une heure précisée. Le four commencera à chauffer immédiatement et s'éteindra à l'heure désirée. L'horloge doit être réglée à la bonne heure pour que la fonction de cuisson minutée fonctionne correctement. Utilisez cette fonction avec tout mode de cuisson sauf grillage, grillage par convection et pierre de cuisson.

Réglage des commandes :

- 1 Tournez le bouton sélecteur de mode au mode de cuisson désiré.
- 2 Touchez à ENTER (entrée) pour sélectionner une température pré-réglée ou tournez le bouton de commande pour modifier la température.
- 3 Touchez à COOK TIME (durée de cuisson). Utilisez les flèches pour choisir la durée de cuisson en heures et minutes.
- 4 Touchez à ENTER (entrée).

MISE EN MARCHÉ DIFFÉRÉE

La mise en marche différée met automatiquement le four en marche et l'éteint à des heures précisées. Le four demeurera en attente jusqu'à l'heure de mise en marche et s'éteindra à l'heure d'arrêt désirée. L'horloge doit être réglée à la bonne heure pour que la fonction de mise en marche différée fonctionne correctement. Utilisez cette fonction avec tout mode de cuisson sauf grillage, grillage par convection et pierre de cuisson.

Réglage des commandes :

- 1 Tournez le bouton sélecteur de mode au mode de cuisson désiré.
- 2 Touchez à ENTER (entrée) pour sélectionner une température pré-réglée ou tournez le bouton de commande pour modifier la température. Si vous touchez à ENTER (entrée), le four commence à chauffer immédiatement, mais passe au mode d'attente dès que l'heure d'arrêt est réglée.
- 3 Touchez à COOK TIME (durée de cuisson). Utilisez les flèches pour choisir la durée de cuisson en heures et minutes.
- 4 Touchez à STOP TIME (heure d'arrêt). Utilisez les flèches pour sélectionner l'heure à laquelle le four doit s'arrêter.
- 5 Touchez à ENTER (entrée).

Autonettoyage

Durant le nettoyage automatique, le four est chauffé jusqu'à une température extrêmement élevée pour brûler les restes d'aliments. Retirez toutes les grilles et tous les guides de grille du four. Ils changeront de couleur s'ils sont laissés dans le four pendant l'autonettoyage. La porte du four se verrouillera et demeurera verrouillée jusqu'à ce que le l'autonettoyage soit terminé et la température du four se trouve en dessous de 300 °F (150 °C). Les durées d'autonettoyage comprennent une heure pour le refroidissement.

Réglage des commandes pour l'autonettoyage de 4 heures :

- 1 Tournez le bouton sélecteur de mode à CLEAN (autonettoyage).
- 2 Touchez à ENTER (entrée).

Réglage des commandes pour l'autonettoyage de 3 heures :

- 1 Tournez le bouton sélecteur de mode à CLEAN (autonettoyage).
- 2 Touchez à STOP TIME (heure d'arrêt).
- 3 Touchez à la flèche vers le bas pour réduire l'heure d'arrêt d'une heure.
- 4 Touchez à ENTER (entrée) deux fois.

⚠ MISE EN GARDE

Pendant l'autonettoyage, les surfaces extérieures peuvent devenir plus chaudes que d'habitude. Les enfants ne doivent pas s'approcher.

Shabbath (four seulement)

Cet appareil est certifié par Star-K pour répondre à des règlements religieux rigoureux relativement à des directives précises se trouvant sur www.star-k.org. Shabbath l'emporte sur la fonction d'arrêt automatique de 12 heures. La fonction Shabbath doit être réinitialisée après une panne de courant.

Réglage des commandes :

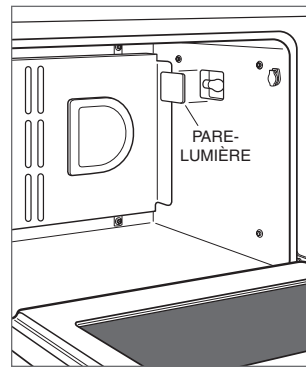
- 1 Allumez ou éteignez la lumière du four.
- 2 Tournez le bouton sélecteur de mode à BAKE (cuisson) ou ROAST (rôtissage) et sélectionnez la température désirée.
- 3 Touchez et tenez la touche ENTER (entrée) pendant cinq secondes. « SAb » apparaîtra et clignotera sur le bouton de commande du four indiquant que le mode Shabbath a été initié.
- 4 Pour modifier la température du four en mode Shabbath, tournez le bouton de commande. Chaque tour augmentera ou diminuera la température de 10° (F ou C). L'affichage et la sonnerie sont désactivés, mais la température sera modifiée au hasard lorsqu'une nouvelle température est choisie. Le four demeure en marche jusqu'à ce que le cadran soit tourné à OFF (arrêt).

Lampe du four

⚠ AVERTISSEMENT

Assurez-vous que le courant soit coupé au niveau du coffret électrique avant de remplacer l'ampoule.

Laissez le four se refroidir complètement, puis retirez les grilles et les guides de grille. Pour retirer le pare-lumière, dégagez doucement le rebord inférieur avec un tournevis plat. Retirez l'ampoule existante et remplacez-la par une ampoule halogène de 20 watts. Reportez-vous à l'illustration ci-dessous.



Remplacement de l'ampoule.

Fonctionnement de la surface

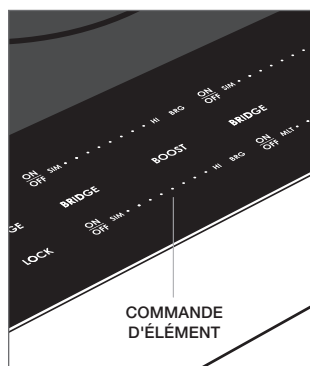
PANNEAU DE COMMANDE

Le panneau de commande comprend des commandes tactiles illuminées qui sont invisibles lorsque la surface de cuisson est éteinte. Un indicateur de niveau de puissance pour chaque commande affiche le réglage de chaleur de SIM (mijoter) à HI (élevé). Chaque commande est placée selon l'élément de chauffage correspondant. Reportez-vous à l'illustration ci-dessous.

Les indicateurs sur le panneau de commande s'allument pour indiquer un fonctionnement précis de la surface. Reportez-vous au tableau ci-dessous.

INDICATEURS

	Verrouillage du panneau de commande
	Élément(s) en marche
	Surface chaude
	Minuterie réglée
	Mode suralimentation
	Raccordement avant-arrière
	Raccordement latéral
	Tous les raccordements



Commandes tactiles.

⚠ MISE EN GARDE

Ne placez pas des chaudrons chauds directement sur le panneau de commande.

VERROUILLAGE DU PANNEAU DE COMMANDE

La fonction de verrouillage du panneau de commande empêche le fonctionnement non désiré de la surface. Enfoncez et tenez la touche LOCK (verrouillage) pendant trois secondes pour verrouiller et déverrouiller le panneau de commande. s'allume lorsque le panneau de commande est verrouillé.

Le panneau de commande se verrouille automatiquement après 10 minutes d'inactivité. Cette fonction de verrouillage automatique peut être désactivée par l'entremise du menu d'options supplémentaires. Reportez-vous à la page 19.

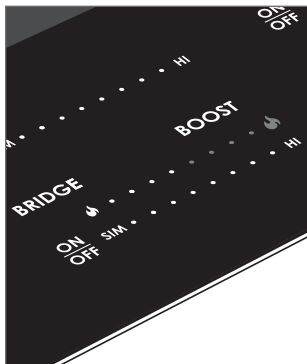
Lorsque la cuisinière est mise en marche pour la première fois ou après une panne d'électricité, la surface à induction passe par défaut au mode de verrouillage.

Fonctionnement de la surface

INDICATEUR DE NIVEAU DE PUISSANCE

Lorsqu'un élément est activé, un indicateur de niveau de puissance s'allume au-dessus de la commande correspondante pour indiquer le niveau de chaleur. Le niveau de chaleur le plus faible est représenté par la petite flamme, les divers niveaux de chaleur par d'autres indicateurs (points) et le niveau de chaleur le plus élevé par tous les indicateurs, y compris la grosse flamme. Reportez-vous au tableau et à l'illustration ci-dessous.

RÉGLAGE	NIVEAU DE PUISSANCE	UTILISATIONS
Fondre	1 indicateur (petite flamme)	Faire fondre du beurre, garder du chocolat et des sauces.
Mijoter	2-6 indicateurs	Mijoter des sauces et faire cuire du riz à la vapeur.
Moyen	6-7 indicateurs	Faire du pain perdu et des crêpes, chauffer du lait, des sauces à la crème, des soupes et des jus.
Moyen élevé	7-8 indicateurs	Faire sauter, brunir et frire.
Élevé	8-10 indicateurs (grosse flamme)	Faire bouillir de l'eau, saisir de la viande et mettre en conserve.



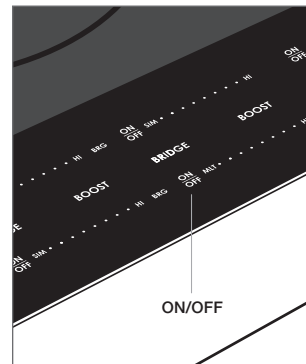
Indicateur de niveau de puissance.

ÉLÉMENT SIMPLE ET ZONE INTÉRIEURE

Réglage des commandes :

- 1 Pour activer un élément de chauffage, touchez à ON/OFF (marche/arrêt) sur le panneau de commande pour l'élément simple désiré. L'indicateur de niveau de puissance clignotera et tous les indicateurs de cette zone clignoteront. Reportez-vous à l'illustration ci-dessous.
- 2 Pour compléter l'activation, touchez à HI (élevé) pour obtenir la chaleur la plus élevée, SIM (MLT) (mijoter) (fondre) pour la chaleur la plus faible, BOOST (suralimentation) (induction) pour activer le mode suralimentation, ou touchez à l'indicateur de niveau de puissance désiré.
- 3 Pour modifier le réglage de chaleur lorsque l'élément est en marche, touchez au niveau de puissance désiré ou glissez jusqu'à ce dernier.
- 4 Pour éteindre l'élément, touchez à ON/OFF (marche/arrêt).

REMARQUE IMPORTANTE : s'il n'y a pas de chaudron ou si un chaudron incompatible est placé sur un élément à induction après son activation, la commande clignotera pendant 30 secondes, puis l'élément s'éteindra automatiquement.



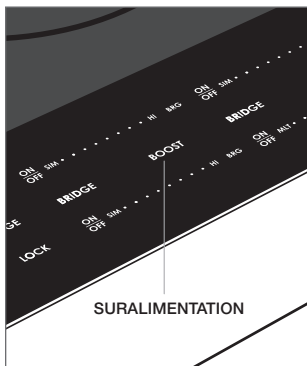
Activation d'un élément.

Fonctionnement de la surface

MODE SURALIMENTATION

Le mode suralimentation rehausse la puissance d'un élément en dérivant la puissance d'un élément adjacent. Si l'élément adjacent est à élevé, sa puissance sera réduite. La réduction de puissance sera affichée sur l'indicateur de niveau de puissance de l'élément adjacent. Reportez-vous à l'illustration ci-dessous. 🔥 s'illumine lorsqu'un élément se trouve en mode suralimentation.

Le mode suralimentation se désactive automatiquement après 15 minutes de fonctionnement continu et peut être réactivé si désiré.



Mode suralimentation.

ÉLÉMENT DE RACCORDEMENT

Réglage des commandes :

- 1 Pour activer le raccordement, sélectionnez le niveau de puissance désiré sur un des éléments simples.
- 2 Touchez à BRIDGE (raccordement) entre les commandes des éléments correspondants pour raccorder les éléments de l'avant vers l'arrière, BRG (raccordement) pour raccorder les éléments latéralement ou ALL BRIDGE (tous les raccordements) pour raccorder tous les éléments. 🔗, 🔗🔗 ou 🔗🔗🔗 s'illuminent respectivement.
- 3 Pour modifier le niveau de puissance, réglez le niveau de puissance sur tout élément raccordé actif.
- 4 Pour éteindre, touchez à ON/OFF (marche/arrêt) sur tout élément raccordé actif.

ALL BRIDGE (tous les raccordements) doit être utilisé pour les chaudrons mesurant plus de 12 po (305) de diamètre. Pour les chaudrons plus petits, utilisez l'élément droit arrière.

UTILISATION DE LA PLAQUE À FRIRE

L'élément de raccordement fournit une zone de chauffage oblongue pour utilisation avec une crêpière, une rôtissoire ouverte ou une poissonnière.


Pour préchauffer une plaque à frirer, réglez le niveau de puissance de l'élément de raccordement à élevé pendant cinq minutes, puis réduisez pour la cuisson.

⚠ MISE EN GARDE

Une crêpière, une rôtissoire ouverte ou une poissonnière ne doivent pas être utilisés lorsque l'élément de raccordement n'est pas en marche ou avec toute autre combinaison d'éléments chauffants.

Fonctionnement de la surface


MINUTERIE

La minuterie peut être réglée dans des incréments d'une minute jusqu'à 99 minutes. Lorsqu'une durée est réglée,  s'allume sur le panneau de commande et le décompte est visible sur l'écran de la minuterie. La minuterie est indépendante de la surface de cuisson. Reportez-vous à l'illustration ci-dessous.


Réglage de la minuterie :

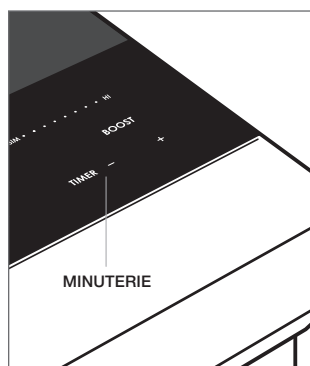
- 1 Touchez à TIMER (minuterie).
- 2 Touchez et tenez les touches + ou – jusqu'à ce que la durée désirée apparaisse sur l'écran de la minuterie. La minuterie commencera le décompte en minutes.
- 3 La minuterie retentit lorsqu'il ne restera qu'une minute à la durée et termine le décompte en secondes.
- 4 Lorsque la durée est terminée, la minuterie retentit et continue à retentir jusqu'à ce que TIMER (minuterie) soit touché.

INDICATEUR DE SURFACE CHAUDE

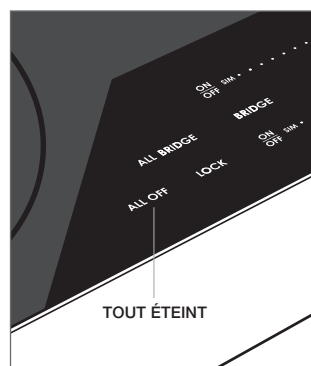
 s'allume sur le panneau de commande de la surface et peut demeurer illuminé même lorsque la surface à induction est éteinte.

TOUT ÉTEINT

Lorsqu'un ou plusieurs des éléments de chauffage sont en marche,  s'allume sur le panneau de commande. Pour éteindre tous les éléments en même temps, touchez à ALL OFF (tout éteint).



Commandes de la minuterie.



Tout éteint.

OPTIONS SUPPLÉMENTAIRES

La fonction d'options supplémentaires permet à l'utilisateur de régler des préférences pour le volume, la tonalité et le verrouillage du panneau de commande.

Ajustement des réglages :

- 1 Pendant que l'unité est éteinte et déverrouillée, touchez et tenez ALL OFF (tout éteint) pendant cinq secondes.
- 2 Niveau de puissance 1 sur la commande de l'élément arrière sera affiché et « VO » apparaîtra sur l'écran de la minuterie.

Touchez à SIM (MLT) (mijoter) (fondre) ou à HI (élevé) sur la commande de l'élément avant pour régler le volume.

- 3 Touchez à + sur la commande de la minuterie pour régler la tonalité. Niveau de puissance 2 sur la commande de l'élément arrière sera affiché et « Fr » apparaîtra sur l'écran de la minuterie.

Touchez à SIM (MLT) (mijoter) (fondre) ou à HI (élevé) sur la commande de l'élément avant pour régler la tonalité.

- 4 Touchez à + sur la commande de la minuterie pour régler le verrouillage automatique du panneau de commande. Niveau de puissance 3 sur la commande de l'élément arrière sera affiché et « Lo » apparaîtra sur l'écran de la minuterie.

Touchez à SIM (MLT) (mijoter) (fondre) ou HI (élevé) sur la commande de l'élément avant pour mettre en marche ou arrêter la fonction de verrouillage automatique respectivement.

- 5 Touchez à ALL OFF (tout éteint) à tout moment dans les options supplémentaires pour confirmer des réglages et remettre la surface de cuisson au mode veille.

Conseils d'entretien

NETTOYAGE

Acier inoxydable	Utilisez un nettoyant non abrasif pour l'acier inoxydable et appliquez-le avec un chiffon doux non pelucheux. Pour faire ressortir le lustre naturel, essuyez légèrement la surface avec un chiffon en microfibrilles humecté d'eau suivi d'un chamois à polir sec. Suivez toujours le grain de l'acier inoxydable.
Surface en vitrocéramique	Laissez refroidir. Utilisez un dégraissant pulvérisé pour éliminer les empreintes de doigt et un nettoyant non abrasif pour surface de cuisson Ceran® pour éliminer les taches de nourriture. Ne laissez pas tout article qui pourrait fondre entrer en contact avec la surface en vitrocéramique lorsqu'elle est chaude. Dans ce cas, utilisez la raclette à lame de rasoir fournie avec la surface de cuisson pour l'éliminer.
Panneau de commande	Utilisez un dégraissant pulvérisé pour éliminer les empreintes de doigts et les taches de nourriture. Pulvériser sur un chiffon avant d'essuyer le panneau. REMARQUE IMPORTANTE : ne pulvériser pas les produits à nettoyer directement sur le panneau de commande.
Boutons de commande	Avec un chiffon humide, essuyez avec un détergent doux ou un dégraissant en aérosol; rincez et séchez. Ne les mettez pas dans le lave-vaisselle.
Guides de grille du four	Enlevez-les et déposez-les sur une surface plate près de l'évier. Nettoyez avec de l'eau chaude et un détergent doux ou une pâte de bicarbonate de soude et d'eau. N'immergez pas dans l'eau. Séchez avec une serviette.
Intérieur du four	Avant d'utiliser la fonction autonettoyage, utilisez une lame de rasoir pour soulever doucement les aliments cuits sur la cavité et la fenêtre du four. Pour les taches rebelles, pulvériser un nettoyant abrasif doux ou un dégraissant en aérosol et frottez avec un tampon Scotch-Brite™ sans égratignure (rose ou bleu). Lavez la cavité du four au complet avec du savon et de l'eau pour éliminer tout produit chimique de nettoyage avant d'utiliser le mode autonettoyage. Si le résidu n'est pas nettoyé de la cavité, la porcelaine risque d'être gravée. Une fois le cycle autonettoyage terminé, laissez le four se refroidir complètement et essuyez les cendres avec un chiffon humide.
Lèche-frite	Pour nettoyer la grille supérieure, utilisez un détergent doux et un tampon à récurer. Rincez et séchez. Pour nettoyer la partie inférieure, jetez la graisse et lavez dans de l'eau chaude avec un détergent doux. Rincez et séchez. La grille supérieure en acier inoxydable peut aller dans le lave-vaisselle, mais ne placez pas la grille ou le plateau enduits de porcelaine dans un lave-vaisselle.

Dépannage

FONCTIONNEMENT

La cuisinière ne fonctionne pas.

- Assurez-vous que l'unité est sous tension.
- Vérifiez l'alimentation électrique vers l'unité et que le disjoncteur de la résidence est en marche.
- Le four s'éteindra automatiquement après 12 heures d'utilisation continue, sauf en mode déshydratation ou Shabbath.

FOUR

Problème de température du four.

- Communiquez avec le service à la clientèle de Wolf au 800-222-7820 pour obtenir des recommandations.

Pas d'affichage du bouton de commande.

- Tirez le bouton de commande du four vers l'extérieur et repoussez-le complètement. Mettez le disjoncteur hors tension pendant cinq secondes, puis remettez-le en marche.

Aucune réaction de la part des touches du panneau de commande.

- Tournez le cadran jusqu'à OFF (arrêt) pour quitter le mode Shabbath.
- Mettez le disjoncteur hors tension pendant cinq secondes, puis remettez-le en marche.

« **SAb** » est affiché sur le bouton de commande du four.

- Tournez le cadran jusqu'à OFF (arrêt) pour quitter le mode Shabbath.

« **PF** » est affiché sur le bouton de commande du four.

- L'unité a subi une panne de courant. Tournez le cadran sélecteur jusqu'à un mode de cuisson, puis revenez à OFF (arrêt) pour le réinitialiser.
- Mettez le disjoncteur hors tension pendant cinq secondes, puis remettez-le en marche.

« **OE** », « **OC** » ou une autre erreur sont affichés.

- Communiquez avec le centre de service Wolf certifié par l'usine.

Le four émet des bruits pendant le préchauffage ou le refroidissement.

- Ceci est normal avec l'expansion et la contraction de toute nouvelle cavité.
- Lancez le cycle d'autonettoyage. Si le problème persiste, communiquez avec le service à la clientèle de Wolf au 800-222-7820.

SURFACE À INDUCTION

Les éléments à induction ne fonctionnent pas.

- Assurez-vous qu'il y ait du courant.
- Vérifiez l'alimentation électrique vers la cuisinière et que le disjoncteur de la résidence est en marche.
- La surface à induction est au mode de verrouillage. Enfoncez et tenez la touche LOCK (verrouillage) pendant trois secondes pour déverrouiller le panneau de commande.
- La surface à induction s'éteindra automatiquement après deux heures d'usage continu (élevé), six heures (moyen) et huit heures (mijoter).

Problème de température de la surface.

- Communiquez avec le service à la clientèle de Wolf au 800-222-7820 pour obtenir des recommandations.

Dépannage

SERVICE

- Préservez la qualité intégrée dans votre produit en communiquant avec un service Wolf certifié par l'usine. Pour obtenir le nom du centre de service Wolf certifié par l'usine le plus près de chez vous, consultez la section Contact et assistance de notre site Web, wolfappliance.com ou appelez le service à la clientèle de Wolf à 800-222-7820.
- Avant d'appeler pour obtenir du service, ayez en main les numéros de modèle et de série de votre produit. Les deux numéros sont indiqués sur la plaque signalétique du produit. Reportez-vous à la page 8 pour connaître l'emplacement de la plaque signalétique.
- Pour les besoins de la garantie, vous devrez aussi avoir la date d'installation et le nom de votre dépositaire Wolf autorisé. Ces renseignements doivent être notés à la page 2 de ce guide.

Garantie limitée résidentielle Wolf Appliance

POUR UTILISATION RÉSIDENIELLE

GARANTIE COMPLÈTE DE DEUX ANS*

Pendant deux ans à compter de la date d'installation originale, cette garantie de produit Wolf Appliance couvre toutes les pièces et la main d'œuvre pour réparer ou remplacer, selon un usage résidentiel normal, toute partie du produit qui s'avérerait défectueuse en vertu des matériaux ou de la fabrication. Tout service fourni par Wolf Appliance en vertu de la garantie ci-dessus doit être effectué par un centre de service Wolf certifié par l'usine, à moins d'indication contraire de la part de Wolf Appliance, Inc. Le service sera fourni pendant les heures normales d'affaires.

GARANTIE LIMITÉE DE CINQ ANS

Pendant cinq ans à compter de la date originale d'installation, Wolf Appliance réparera ou remplacera les pièces suivantes qui s'avèreront défectueuses en vertu des matériaux ou de la fabrication : les brûleurs au gaz (sauf l'apparence), les éléments de chauffage électrique, les moteurs de soufflerie (hottes de ventilation), les circuits de contrôle électronique, les tubes magnétrons et les génératrices à induction. Si le propriétaire utilise le service Wolf certifié en usine, le fournisseur de service réparera ou remplacera ces pièces et le propriétaire paiera pour tous les autres frais, y compris la main d'œuvre. Si le propriétaire utilise un service non certifié, il doit communiquer avec Wolf Appliance, Inc. (avec les renseignements ci-dessous) pour obtenir des pièces réparées ou de rechange. Wolf Appliance ne remboursera pas le propriétaire pour les pièces achetées d'un service non certifié ou d'autres sources.

CONDITIONS S'APPLIQUANT À CHAQUE GARANTIE

La garantie s'applique uniquement aux produits installés pour un usage résidentiel normal. La garantie s'applique seulement aux produits installés dans l'un des cinquante états des États-Unis, dans le District of Columbia ou les dix provinces du Canada. Cette garantie ne couvre pas les pièces ou la main d'œuvre pour corriger tout défaut causé par de la négligence, un accident ou une utilisation, un entretien, une installation, un service ou une réparation inappropriés.

LES REMÈDES DÉCRITS CI-DESSUS POUR CHAQUE GARANTIE SONT LES SEULS QUI SONT OFFERTS PAR WOLF APPLIANCE, INC. EN VERTU DE CETTE GARANTIE OU EN VERTU DE TOUTE GARANTIE DÉCOULANT DE L'OPÉRATION DE LA LOI. WOLF APPLIANCE, INC. NE SERA PAS RESPONSABLE DES DOMMAGES INDIRECTS OU CONSÉCUTIFS DÉCOULANT DE LA VIOLATION DE CETTE GARANTIE OU DE TOUTE GARANTIE, EXPRESSE, IMPLICITE OU LÉGALE.

Certaines provinces ne permettent pas l'exclusion ou la restriction des dommages indirects ou consécutifs, par conséquent, la limite ou l'exclusion ci-dessus peut ne pas s'appliquer à votre cas. Cette garantie vous confère des droits légaux précis et vous pouvez aussi avoir d'autres droits légaux qui peuvent varier d'une province à l'autre.

Pour obtenir des pièces et/ou du service et le nom du centre de service Wolf certifié par l'usine le plus près de chez vous, communiquez avec Wolf Appliance, Inc., P.O. Box 44848, Madison, WI 53744 É.-U.; vérifiez la section Contact et assistance de notre site Web, wolfappliance.com, envoyez-nous un courriel à customerservice@subzero.com ou composez le 800-222-7820.

*L'acier inoxydable (les portes, les panneaux, les poignées, les cadres et les surfaces intérieures) est couvert par une garantie limitée de 60 jours sur les pièces et la main d'œuvre pour toute défectuosité cosmétique.

*Les filtres de rechange pour les trousse de recirculation de hotte ne sont pas couverts par la garantie du produit.





WOLF APPLIANCE, INC. P.O. BOX 44848 MADISON, WI 53744 WOLFAPPLIANCE.COM 800.222.7820

9007812 REV-A

12/2015

