



# Dual Fuel Range

## *Installation Guide*



SPECIFICATIONS, INSTALLATION,  
AND MORE



## Contents

- 3** Dual Fuel Range
- 4** Safety Precautions
- 5** Specifications
- 8** Installation
- 11** Troubleshooting

Features and specifications are subject to change at any time without notice. Visit [wolfappliance.com/specs](http://wolfappliance.com/specs) for the most up-to-date information.

## Important Note

To ensure this product is installed and operated as safely and efficiently as possible, take note of the following types of highlighted information throughout this guide:

**IMPORTANT NOTE** highlights information that is especially important.

**CAUTION** indicates a situation where minor injury or product damage may occur if instructions are not followed.

**WARNING** states a hazard that may cause serious injury or death if precautions are not followed.

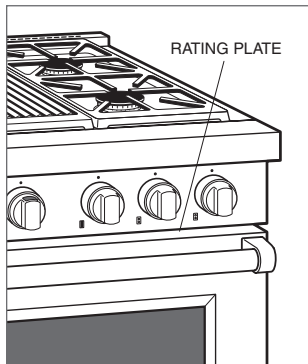
**IMPORTANT NOTE:** Throughout this guide, dimensions in parentheses are millimeters unless otherwise specified.

**IMPORTANT NOTE:** Save these instructions for the local electrical inspector.

## Product Information

Important product information, including the model and serial number, are listed on the product rating plate. The rating plate is located on the bottom of the control panel, at the far right, just above the oven door. Refer to the illustration below.

If service is necessary, contact Wolf Factory Certified Service with the model and serial number. For the name of the nearest Wolf Factory Certified Service or for questions regarding the installation, visit the Product Support section of our website, [wolfappliance.com](http://wolfappliance.com), or call Wolf Customer Care at 800-222-7820.



Rating plate location

## IMPORTANT INSTRUCTIONS

### ▲ WARNING

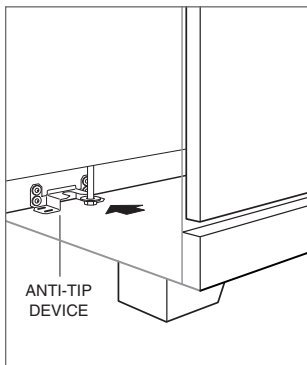
**A child or adult can tip this appliance and be killed.**

**Verify the anti-tip device has been properly installed and engaged. Ensure the anti-tip device is re-engaged when this appliance is moved. Refer to the illustrations below for how to verify correct installation.**

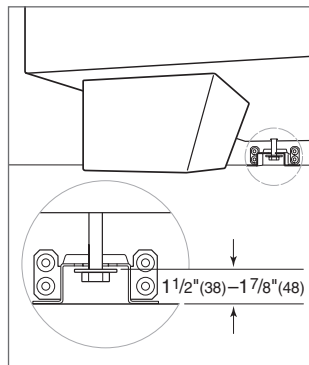
**Do not operate this appliance without the anti-tip device in place and engaged. Failure to do so can result in death or serious burns to children or adults.**

**To reduce the risk of burns, do not move this appliance while hot.**

- This appliance is equipped with casters on two or more legs and must be installed on  $\frac{1}{8}$ " (3) thick commercial grade vinyl composition floor finishing materials or equivalent.
- This appliance is not approved for downward airflow ventilation or air curtain equivalent.



Anti-tip device location



Anti-tip device engaged

## Installation Requirements

**IMPORTANT NOTE:** When installing against a combustible surface, a minimum 10" (254) riser is required for a 36" dual fuel range with charbroiler or griddle and all 48" and 60" models. Follow all minimum clearances to combustible surfaces shown in the illustration on page 7.

## Electrical Requirements

Installation must comply with all applicable electrical codes.

Locate the electrical supply flush with the wall or floor and within the shaded area shown in the illustration on page 7. A separate circuit servicing only this appliance is required.

If a power supply cord is used, the cord must be designated for use with ranges and rated for 240 V, 30 or 50 amps (refer to the chart below), and must include 3 or 4 conductors. A 4-conductor cord is required for installations where grounding through the neutral is prohibited.

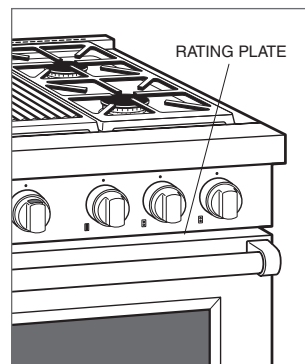
Performance may be compromised if the electrical supply is less than 240 volts.

### ELECTRICAL REQUIREMENTS—SINGLE OVEN

Electrical Supply	grounded, 240/208 VAC, 60 Hz
Service	30 amp dedicated circuit
Total Amps	21
Max Connected Load	5.2 kW

### ELECTRICAL REQUIREMENTS—DOUBLE OVEN

Electrical Supply	grounded, 240/208 VAC, 60 Hz
Service	50 amp dedicated circuit
Total Amps	42.5
Max Connected Load	10.2 kW



Rating plate location

## Gas Supply

Installation must comply with local codes, or in the absence of local codes, with the National Fuel Gas Code.

Locate the gas supply within the shaded area shown in the illustration on the following page.

The range is equipped for use with natural or liquid propane (LP) gas. The product rating plate has information on the type of gas that should be used. For rating plate location, refer to the illustration below. If this information does not agree with the type of gas available, check with the local gas supplier. The gas pressure regulator is built into the unit.

### GAS REQUIREMENTS

#### NATURAL GAS

Supply Pressure	5" (12.5 mb)	<b>WC</b>
Min Line Pressure	7" (17.5 mb)	
Max Regulator Pressure	14" (34.9 mb), .5 psi (3.5 kPa)	

#### LP GAS

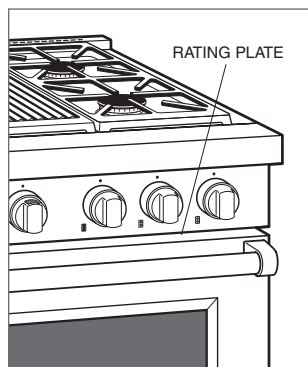
Supply Pressure	10" (25 mb)	<b>WC</b>
Min Line Pressure	11" (27.4 mb)	
Max Regulator Pressure	14" (34.9 mb), .5 psi (3.5 kPa)	

The range must be connected to a regulated gas supply. The supply line must be equipped with an approved external gas shut-off valve located near the range in an accessible location. Do not block access to the shut-off valve. Refer to the illustration below.

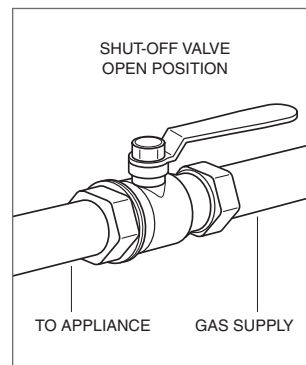
A gas supply of 3/4" (19) ID line must be provided to the range. If local codes permit, a certified, 3' (.9 m) long, 1/2" (13) or 3/4" (19) ID flexible metal appliance connector is recommended to connect the units 1/2" NPT female inlet to the gas supply line. Pipe joint compounds suitable for use with natural or LP gas should be used.

The appliance and its shut-off valve must be disconnected from the gas supply piping system during any pressure testing of the system at test pressures in excess of .5 psi (3.5 kPa). The appliance must be isolated from the gas supply piping system by closing its individual manual shut-off valve during any pressure testing of the system at test pressures equal to or less than .5 psi (3.5 kPa).

Wolf natural gas ranges will function up to 10,250' (3124 m) in altitude without adjustment and LP gas ranges will function up to 8,600' (2621 m). If the installation exceeds these elevations, contact an authorized Wolf dealer for a high altitude conversion kit.



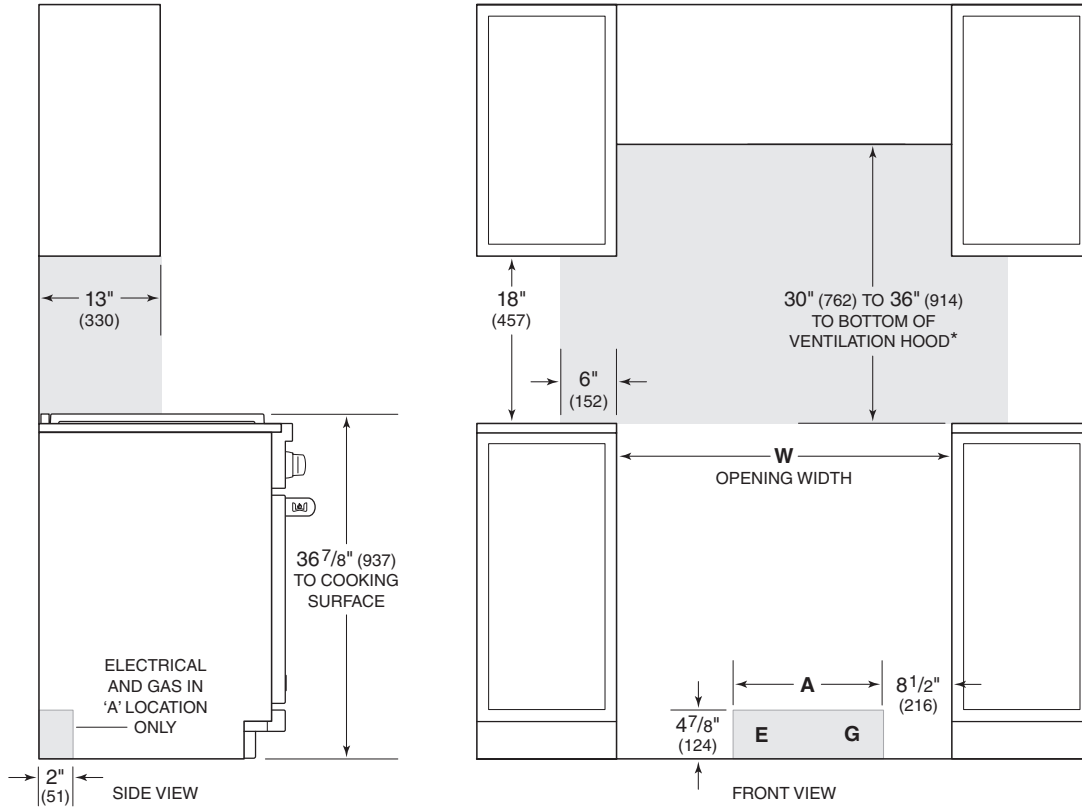
Rating plate location



Gas shut-off valve

## Dual Fuel Range

### INSTALLATION



\*Without ventilation hood, 36" (914) minimum clearance countertop to combustible materials, 44" (1118) for charbroiler.

NOTE: Shaded area above countertop indicates minimum clearance to combustible surfaces, combustible materials cannot be located within this area.

For island installation, 12" (305) minimum clearance back of range to combustible rear wall above countertop.

OPENING WIDTH	W	A
30" Range	30" (762)	10 1/4" (260)
36" Range	36" (914)	16 1/4" (413)
48" Range	48" (1219)	18 1/4" (464)
60" Range	60" (1524)	18 1/4" (464)

# Installation

---

## Preparation

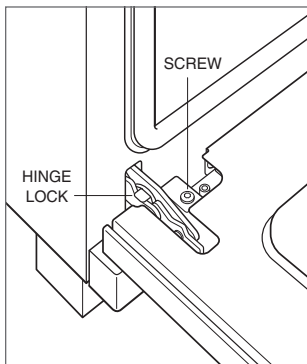
Before moving the range, protect any finished flooring and secure the oven door(s) closed to prevent damage.

### OVEN DOOR REMOVAL

To lighten the load or to fit through a doorway, the oven door(s) can be removed. Remove only if necessary. Do not remove the griddle or any other component. Door removal should be done only by a certified installer or service technician. Do not lift or carry the oven door by the door handle.

To remove, open the door completely. Rotate both hinge locks forward to the open position, remove the screw closest to the hinge on both sides of the door, and pull the door forward. Refer to the illustration below.

To reinstall, slide the door onto the hinges. Rotate the hinge locks back completely and install the screws.



Oven door removal

## Placement

The range has rear casters which allow for easy movement by lifting the front of the unit. Do not lift or carry the range by the oven door handle.

Use an appliance dolly to move the range near the opening. Place the appliance dolly on the side or back to prevent damage. Remove and recycle packing materials. Do not discard the anti-tip bracket supplied with the range.

If a riser has been specified, refer to the installation instructions packaged with the riser. The riser must be installed before the range is installed.

## Leveling

Raise the range to its desired height by adjusting the front legs and rear casters. Use a  $\frac{3}{4}$ " socket to adjust the rear casters. The front legs can be adjusted by rotating the leg clockwise to raise and counterclockwise to lower.

**IMPORTANT NOTE:** For 48" and 60" models, equally distribute the load to all three front legs and rear casters.



## Anti-Tip Bracket

To prevent the range from tipping forward, the anti-tip bracket must be installed. To ensure the anti-tip bolt engages the bracket, refer to the illustration below to determine proper placement.

### INSTALL BRACKET

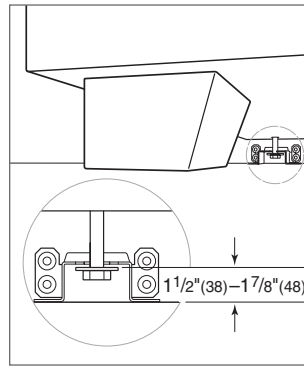
**Drywall application:** After properly positioning the anti-tip bracket, mark the holes, then use a Phillips screwdriver or a low rpm power drill to drive the wall anchor into the surface of the wallboard until flush. Pre-drill the holes if needed. For hard wallboard or double-board construction, use a  $\frac{1}{4}$ " drill bit. For solid plaster, use a  $\frac{7}{16}$ " drill bit. Use the provided #8 screws and flat washers to fasten the bracket to the wall.

**Wood floor application:** After properly positioning the anti-tip bracket, drill  $\frac{3}{16}$ " (5) pilot holes through the floor. Use the provided #12 screws and flat washers to secure the bracket to the floor.

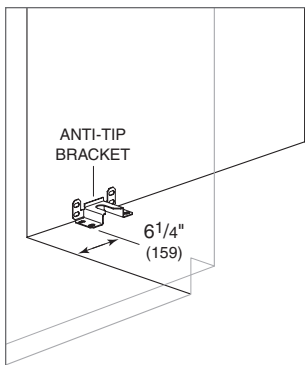
**Concrete floor application:** After properly positioning the anti-tip bracket, drill  $\frac{3}{8}$ " (10) holes into the concrete a minimum of  $1\frac{1}{2}$ " (38) deep. Use the provided  $\frac{3}{8}$ " wedge anchors to secure the bracket to the floor.

### ANTI-TIP BOLT ADJUSTMENT

Once the bracket is secure, adjust the anti-tip bolt so the top of the washer is  $1\frac{1}{2}$ " (38) to  $1\frac{7}{8}$ " (48) from the floor. Slide the range into the opening and verify the anti-tip bolt is engaged. Refer to the illustration below.



Anti-tip bolt engaged



Anti-tip bracket location

# Installation

## Electrical Connection

The terminal block on the back of the range allows for a 3-wire or 4-wire installation. Remove the terminal block cover to expose the screws with corresponding numbers. Route the wires through the strain relief and to the terminal block.

### THREE-WIRE INSTALLATION

- 1 Move the metal ground strap to positions one and two. Refer to the illustration below.
- 2 Connect green/ground to position one.
- 3 Connect red/L2 to position three.
- 4 Connect black/L1 to position four.
- 5 Tighten the screws on the strain relief and install the terminal block cover.

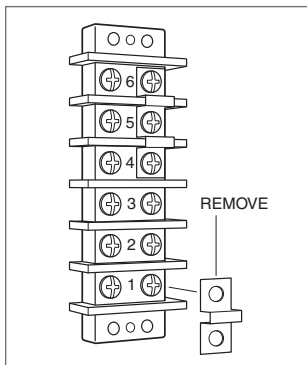
### FOUR-WIRE INSTALLATION

- 1 Remove the metal ground strap.
- 2 Connect green/ground to position one.
- 3 Connect white/neutral to position two.
- 4 Connect red/L2 to position three.
- 5 Connect black/L1 to position four.
- 6 Tighten the screws on the strain relief and install the terminal block cover.

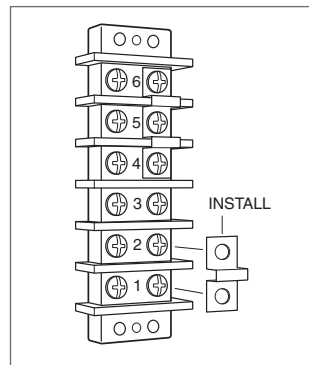
## Gas Supply Connection

All connections to the gas piping must be wrench-tightened. Do not overtighten or allow pipes to turn when tightening.

If a flexible metal connector is used, verify it is not kinked, then attach the gas supply line to the gas inlet on the range. Open the valve and check for leaks by placing a liquid detergent solution onto all gas connections. Bubbles around the connections indicate a gas leak. If a leak appears, close the shut-off valve and adjust the connections.



Three- and four-wire

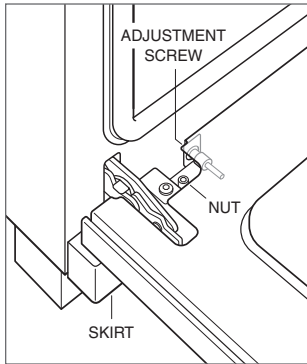


Three-wire only

## Door Alignment

To adjust the door, follow these steps:

- 1 Remove the skirt by extracting the screws.
- 2 Open the door, and loosen the nut. Refer to the illustration below.
- 3 Close the door, and turn the screw clockwise to raise and counterclockwise to lower the door.
- 4 Open the door, and tighten the nut.
- 5 Close the door, and reinstall the skirt.



Door alignment

## Troubleshooting

**IMPORTANT NOTE:** If the range does not operate properly, follow these troubleshooting steps:

- Verify electrical power is supplied to the range.
- Verify the gas supply shut-off valve is in the open position.
- If the range does not operate properly, contact Wolf Factory Certified Service. Do not attempt to repair the range. Wolf is not responsible for service required to correct a faulty installation.

## Contenido

- 3 Estufa de energía dual
- 4 Precauciones de seguridad
- 5 Especificaciones
- 8 Instalación
- 11 Solución de problemas

Las características y especificaciones están sujetas a cambios sin previo aviso. Visite [wolfappliance.com/specs](http://wolfappliance.com/specs) para obtener la información más actualizada.

## Aviso importante

Para garantizar que este producto se instale y opere de la forma más segura y eficiente posible, tome nota de los siguientes tipos de información resaltada en este manual:

**AVISO IMPORTANTE** señala la información que es especialmente importante.

**PRECAUCIÓN** indica una situación en la que se pueden sufrir heridas leves o provocar daños al producto si no se siguen las instrucciones.

**ADVERTENCIA** indica peligro de que se produzcan heridas graves o incluso la muerte si no se siguen las precauciones.

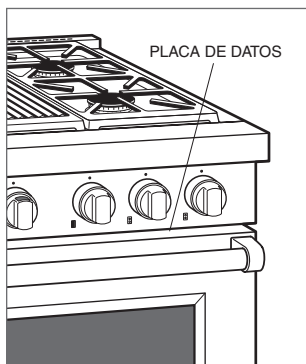
**AVISO IMPORTANTE:** En toda esta guía, las dimensiones entre paréntesis son milímetros, a menos que se especifique lo contrario.

**AVISO IMPORTANTE:** Guarde estas instrucciones para el inspector eléctrico local.

## Información del producto

La información importante del producto, incluidos el modelo y el número de serie de la unidad, se encuentra en la placa de datos del producto. La placa de datos se encuentra en la parte inferior del panel de control, en el extremo derecho, justo por encima de la puerta del horno. Consulte la siguiente ilustración.

Si es necesario realizar algún servicio, póngase en contacto con el servicio certificado de fábrica de Wolf y tenga a mano el modelo y el número de serie. Para obtener los datos del centro de Servicio certificado de fábrica de Wolf más cercano o si tiene preguntas acerca de la instalación, visite la sección de soporte del producto en nuestra página de Internet [wolfappliance.com](http://wolfappliance.com); o bien, llame a la línea de atención al cliente de Wolf al 800-222-7820.



Ubicación de la placa de datos

### INSTRUCCIONES IMPORTANTES

#### ⚠ ADVERTENCIA

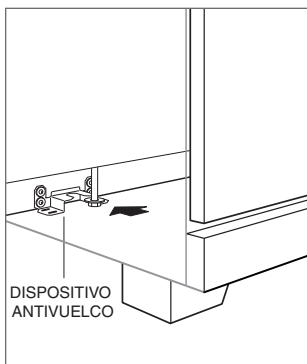
Si un niño o un adulto jalan el electrodoméstico este puede volcarse y causarles la muerte.

Compruebe que el dispositivo antivuelco haya sido instalado y esté enganchado correctamente. Asegúrese de volver a enganchar el dispositivo antivuelco después de cambiar el electrodoméstico de lugar. Consulte las ilustraciones siguientes para saber cómo comprobar su instalación correcta.

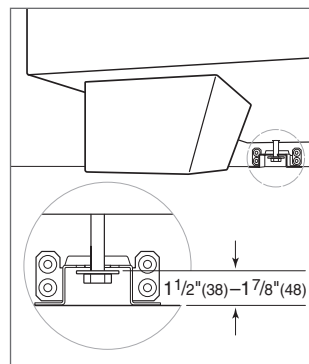
No opere este electrodoméstico sin el dispositivo antivuelco en posición y enganchado. No seguir esta instrucción puede resultar en la muerte o en graves quemaduras en niños o adultos.

Para reducir el riesgo de quemaduras, no mueva el electrodoméstico mientras está caliente.

- Este electrodoméstico está equipado con ruedas en dos o más patas y debe ser instalado sobre pisos de grado comercial con  $\frac{1}{8}$ " (3) de grosor, hechos de materiales compuestos con vinilo o equivalentes.
- Este electrodoméstico no ha sido aprobado para la ventilación con flujo de aire dirigido hacia abajo o una cortina de aire equivalente.



Ubicación del dispositivo antivuelco



Dispositivo antivuelco enganchado

## Requisitos de instalación

**AVISO IMPORTANTE:** al realizar la instalación contra una superficie combustible, se requiere una tarima con altura mínima de 10" (254) para una estufa de energía dual de 36" con parrilla o plancha y para todos los modelos de 48" y 60". Mantenga todos los espacios mínimos a las superficies combustibles, como se muestra en la ilustración de la página 7.

## Requisitos eléctricos

La instalación debe cumplir con todos los códigos eléctricos vigentes.

Coloque el suministro eléctrico a ras con la pared o el piso y dentro del área sombreada que se muestra en la ilustración de la página 7. Se necesita un circuito independiente que le suministre electricidad únicamente a este electrodoméstico.

Si se utiliza un cable de alimentación, el cable debe haber concebido para uso con estufas y tener capacidad para 240 V, 30 o 50 amperes (consulte la tabla siguiente), y debe incluir 3 o 4 conductores. Se requiere un cable de 4 conductores para instalaciones en las que está prohibido realizar la conexión a tierra a través del cable neutro.

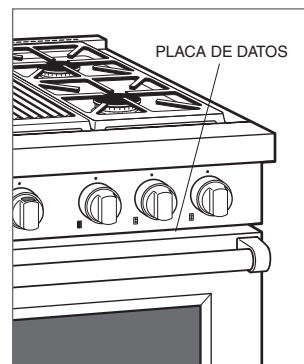
El rendimiento puede verse comprometido si el suministro eléctrico es menor a 240 voltios.

### REQUISITOS ELÉCTRICOS—HORNO SENCILLO

Suministro eléctrico	Con conexión a tierra, 240/208 VCA, 60 Hz
Servicio	Circuito dedicado de 30 amperes
Total de amperes	21
Carga máxima conectada	5.2 kW

### REQUISITOS ELÉCTRICOS—HORNO DOBLE

Suministro eléctrico	Con conexión a tierra, 240/208 VCA, 60 Hz
Servicio	Circuito dedicado de 50 amperes
Total de amperes	42,5
Carga máxima conectada	10.2 kW



Ubicación de la placa de datos

## Suministro de gas

La instalación debe cumplir con los códigos locales, o en ausencia de códigos locales, con el Código Nacional de Gas Combustible.

Localice el suministro de gas en la zona sombreada que se muestra en las ilustración de la página siguiente.

La estufa está equipada para su uso con gas licuado (LP) o propano natural. La placa de datos del producto contiene información sobre el tipo de gas que se debe utilizar. Para ubicar la placa de datos, consulte la siguiente ilustración. Si esta información no coincide con el tipo de gas disponible, consulte con el proveedor de gas local. El regulador de presión de gas está incorporado a la unidad.

### REQUISITOS DEL GAS

#### GAS NATURAL

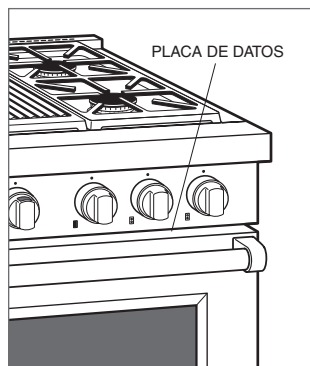
Presión de suministro	5" (12.5 mb)
Presión mínima de la línea	7" (17.5 mb)
Presión máxima del regulador	14" (34.9 mb), .5 psi (3.5 kPa)

#### COLUMNA DE AGUA

#### GAS LP

Presión de suministro	10" (25 mb)
Presión mínima de la línea	11" (27.4 mb)
Presión máxima del regulador	14" (34.9 mb), .5 psi (3.5 kPa)

#### COLUMNA DE AGUA



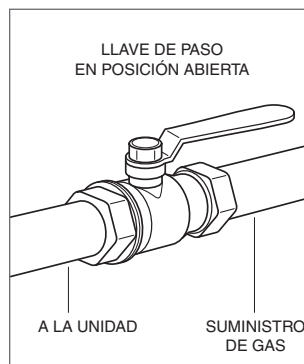
Ubicación de la placa de datos

La estufa debe conectarse a un suministro de gas regulado. La línea del suministro debe estar equipada con una llave de paso externa aprobada para gas ubicada cerca de la estufa en un lugar accesible. No bloquee el acceso a la llave de paso. Consulte la siguiente ilustración.

Se debe proporcionar una línea de suministro de gas  $\frac{3}{4}$ " (19) para la estufa. Si el código local lo permite, se recomienda utilizar un conector metálico flexible certificado, de 3' (.9 m) de largo,  $\frac{1}{2}$ " (13) o  $\frac{3}{4}$ " (19) de diámetro interior para conectar la entrada NPT hembra de  $\frac{1}{2}$ " de la unidad a la línea de suministro de gas. Debe utilizar compuestos para juntas de tubería aptos para uso con gas natural o gas LP.

Debe desconectar el electrodoméstico y la llave de paso del sistema de tuberías del suministro de gas durante cualquier prueba de presión del sistema a presiones de prueba mayores a 0.5 psi (3.5 kPa). Debe aislar el electrodoméstico del sistema de tuberías del suministro de gas cerrando manualmente la llave de paso durante cualquier prueba de presión del sistema a presiones de prueba iguales o inferiores a 0.5 psi (3.5 kPa).

Las estufas a gas natural de Wolf funcionarán hasta 10,250' (3124 m) de altitud sin ajuste y las estufas a gas LP funcionarán hasta 8,600' (2621 m). Si la instalación supera estas elevaciones, póngase en contacto con un distribuidor autorizado de Wolf para conseguir un kit de conversión para regiones altas.

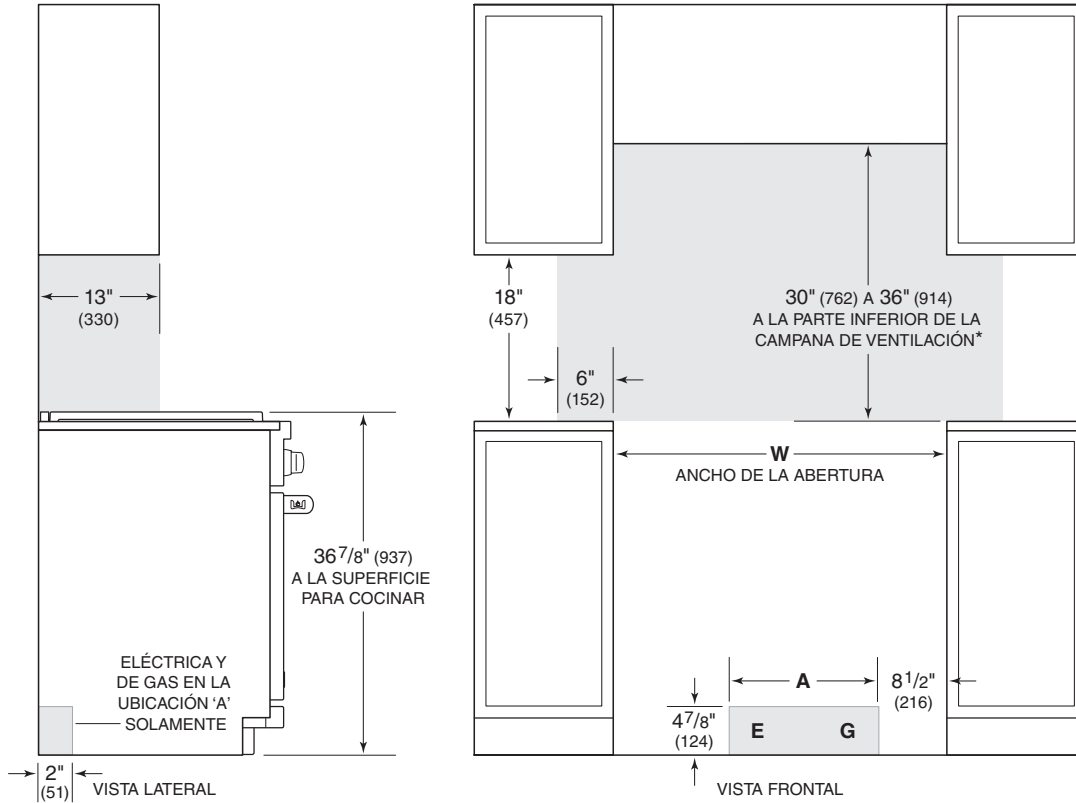


Llave de paso del suministro de gas



## Estufa de energía dual

### INSTALACIÓN



\*Sin campana de ventilación, se requiere una distancia mínima de 36" (914) desde el mostrador hasta los materiales combustibles, y 44" (1118) para la parrilla.

NOTA: La zona sombreada sobre el mostrador indica la distancia mínima a las superficies combustibles, los materiales combustibles no se pueden colocar en esta área.

Para instalaciones en islas, se necesita una distancia mínima de 12" (305) en la parte posterior de la estufa a la pared trasera inflamable sobre el mostrador.

ANCHO DE LA ABERTURA	ANCHO	A
Estufa de 30"	30" (762)	10 1/4" (260)
Estufa de 36"	36" (914)	16 1/4" (413)
Estufa de 48"	48" (1219)	18 1/4" (464)
Estufa de 60"	60" (1524)	18 1/4" (464)

## Preparación

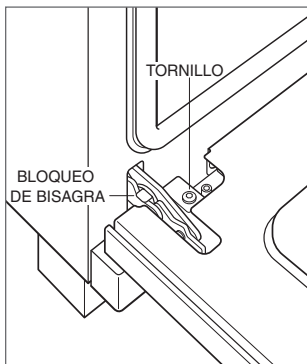
Antes de mover la estufa, proteja cualquier suelo acabado y asegúrese de que la(s) puerta(s) del horno esté(n) y cerrada(s) para que no se dañe(n).

### CÓMO QUITAR LA PUERTA DEL HORNO

La(s) puerta(s) del horno puede(n) removerse para aligerar la carga o conseguir que pase a través de una puerta. Solo deberá quitarse si es necesario. No retire la plancha ni ninguno de los otros componentes. El proceso para quitar la puerta del horno debe ser realizado solamente por un instalador certificado o un técnico de servicio. No utilice la manija de la puerta del horno para levantar la puerta ni para transportarla.

Para quitarla, abra la puerta completamente. Gire los pestillos de las dos bisagras hacia adelante a la posición abierta, quite el tornillo más cercano a la bisagra en ambos lados de la puerta, y a continuación jale la puerta hacia delante. Consulte la siguiente ilustración.

Para volver a instalar, deslice la puerta en las bisagras. Gire los pestillos de las bisagras completamente hacia atrás e instale los tornillos.



Cómo quitar la puerta del horno

## Colocación

La estufa tiene ruedas traseras para facilitar su desplazamiento levantando el frente de la unidad. No utilice la manija de la puerta de horno para levantar o transportar la estufa.

Use una carretilla para electrodomésticos para mover la estufa cerca de la abertura. Para evitar daños, coloque la carretilla del electrodoméstico en el costado o en la parte posterior. Retire y recicle los materiales de embalaje. No deseche el soporte antivuelco suministrado con la estufa.

Si se ha especificado el uso de una tarima, consulte las instrucciones de instalación que vienen con la tarima. Debe instalar la tarima antes de instalar la estufa.

## Nivelación

Para levantar la estufa a la altura deseada, ajuste las patas delanteras y las ruedas traseras. Utilice una llave de  $\frac{3}{4}$ " para ajustar las ruedas traseras. Las patas delanteras se pueden ajustar girando la pata hacia la derecha para subir y hacia la izquierda para bajar.

**AVISO IMPORTANTE:** Para los modelos de 48" y 60", distribuya la carga equitativamente sobre las tres patas delanteras y las ruedas traseras.

## Soporte antivuelco

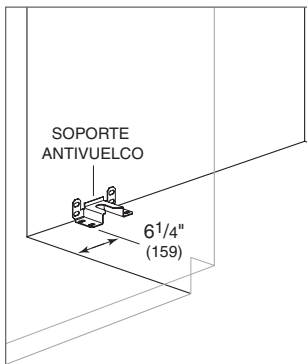
Para evitar que la estufa se vuelque hacia el frente, debe instalarse el soporte antivuelco. Para asegurarse de que el perno antivuelco se acople con el soporte, consulte la ilustración de abajo para determinar cómo colocarlo correctamente.

### CÓMO INSTALAR EL SOPORTE

**Aplicación en panel de yeso:** Después de colocar correctamente el soporte antivuelco, marque los orificios, luego utilice un desarmador Philips o un taladro eléctrico a bajas rpm para introducir el anclaje de pared en el panel de yeso hasta que quede a ras con la superficie. Si es necesario taladre los orificios con anticipación. Para paneles de yeso duro o construcción de doble placa, utilice una broca de  $\frac{1}{4}$ ". Para yeso sólido, utilice una broca de  $\frac{7}{16}$ ". Utilice tornillos #8 y arandelas planas proporcionados para sujetar el soporte a la pared.

**Aplicación en piso de madera:** Después de colocar correctamente el soporte antivuelco, taladre orificios guía de  $\frac{3}{16}$ " (5) en el piso. Utilice tornillos #12 y arandelas planas proporcionados para asegurar el soporte al piso.

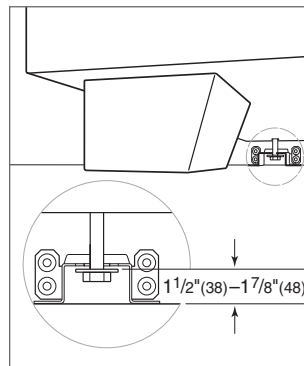
**Aplicación en piso de concreto:** Después de colocar correctamente el soporte antivuelco, taladre orificios de  $\frac{3}{8}$ " (10) en el concreto a una profundidad mínima de  $1\frac{1}{2}$ " (38). Utilice anclajes de cuña proporcionados de  $\frac{3}{8}$ " para asegurar el soporte al piso.



Ubicación del soporte antivuelco

### CÓMO AJUSTAR EL PERNO ANTIVUELCO

Una vez que el soporte está asegurado, ajuste el perno antivuelco de manera que parte superior de la arandela quede a  $1\frac{1}{2}$ " (38) a  $1\frac{7}{8}$ " (48) del piso. Deslice la estufa dentro de la abertura y compruebe que el perno antivuelco esté enganchado. Consulte la siguiente ilustración.



Perno antivuelco enganchado

## Conexión eléctrica

El bloque de terminales en la parte posterior de la estufa permite una instalación de 3 cables o 4 cables. Retire la cubierta del bloque de terminales para exponer los tornillos con los números correspondientes. Guíe los cables a través del liberador de tensión y al bloque de terminales.

### INSTALACIÓN DE TRES CABLES

- 1 Mueva la banda metálica de conexión a tierra a las posiciones uno y dos. Consulte la siguiente ilustración.
- 2 Conecte verde/tercera a la posición uno.
- 3 Conecte rojo/L2 a la posición tres.
- 4 Conecte negro/L1 a la posición cuatro.
- 5 Apriete los tornillos en el liberador de tensión e instale la cubierta del bloque de terminales.

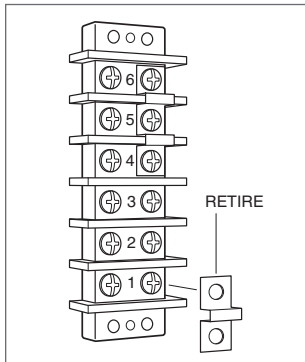
### INSTALACIÓN DE CUATRO CABLES

- 1 Quite la banda metálica de conexión a tierra.
- 2 Conecte verde/tercera a la posición uno.
- 3 Conecte blanco/neutral a la posición dos.
- 4 Conecte rojo/L2 a la posición tres.
- 5 Conecte negro/L1 a la posición cuatro.
- 6 Apriete los tornillos en el liberador de tensión e instale la cubierta del bloque de terminales.

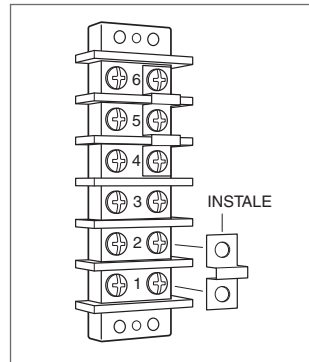
## Conexión del suministro de gas

Todas las conexiones a la tubería de gas deben apretarse con llave. No apriete demasiado ni permita que las tuberías giren al apretarlas.

Si se utiliza un conector de metal flexible, compruebe que no esté doblado y, a continuación, conecte la línea de suministro de gas a la entrada de gas de la estufa. Abra la válvula y revise si hay fugas mediante la colocación de una solución de detergente líquido sobre todas las conexiones de gas. La presencia de burbujas alrededor de las conexiones es indicador de una fuga de gas. Si aparece una fuga, cierre la llave de paso y ajuste las conexiones.



Tres y cuatro cables

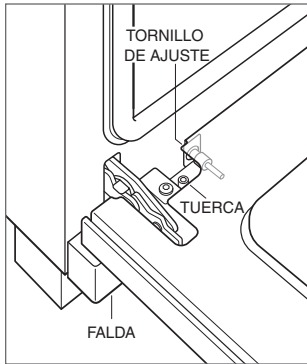


Tres cables solamente

## Alineamiento de la puerta

**Para ajustar la puerta, siga los pasos siguientes:**

- 1 Para quitar la falda extraiga los tornillos.
- 2 Abra la puerta y afloje la tuerca. Consulte la siguiente ilustración.
- 3 Cierre la puerta y gire el tornillo a la derecha para subir y a la izquierda para bajar la puerta.
- 4 Abra la puerta y apriete la tuerca.
- 5 Cierre la puerta y vuelva a instalar la falda.



Alineamiento de la puerta

## Solución de problemas

**AVISO IMPORTANTE:** si la estufa no funciona correctamente, siga estos pasos para resolver los problemas:

- Compruebe que la estufa tiene corriente eléctrica.
- Compruebe que la llave de paso del suministro de gas se encuentra en posición abierta.
- Si la estufa no funciona correctamente, póngase en contacto con el centro de servicio autorizado de Wolf. No intente reparar la estufa. Wolf no es responsable del servicio necesario para corregir una instalación defectuosa.

## Table des matières

- 3** Cuisinière mixte
- 4** Précautions de sécurité
- 5** Spécifications
- 8** Installation
- 11** Dépannage

Les caractéristiques et les spécifications peuvent être modifiées en tout temps sans préavis. Visitez [wolfappliance.com/specs](http://wolfappliance.com/specs) pour obtenir les renseignements les plus récents.

## Remarque importante

Pour s'assurer que ce produit est installé et utilisé en toute sécurité et aussi efficacement que possible, prenez note des types de renseignement mis en évidence tout au long de ce guide :

**REMARQUE IMPORTANTE** met en évidence des renseignements qui sont particulièrement importants.

**MISE EN GARDE** indique une situation où une blessure mineure ou des dommages au produit peuvent se produire si les directives ne sont pas respectées.

**AVERTISSEMENT** décrit un danger qui peut causer une blessure grave ou la mort si les précautions ne sont pas respectées.

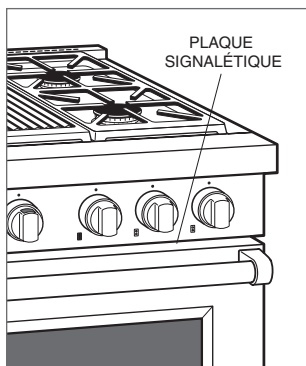
**REMARQUE IMPORTANTE** : Tout au long de ce guide, les dimensions entre parenthèses sont en millimètres à moins d'indication contraire.

**REMARQUE IMPORTANTE** : Conservez ces directives pour l'inspecteur en électricité local.

## Renseignements sur le produit

Des renseignements importants sur le produit, y compris les numéros de modèle et de série, se trouvent sur la plaque signalétique du produit. La plaque signalétique est située sous le panneau de commande, à l'extrême droite, juste au-dessus de la porte du four. Reportez-vous à l'illustration ci-dessous.

Si vous avez besoin de service, communiquez avec le service Wolf certifié par l'usine avec les numéros de modèle et de série. Pour obtenir le nom du centre de service Wolf certifié par l'usine le plus près de chez vous ou si vous avez des questions concernant l'installation, consultez la section Support technique de notre site Web, [wolfappliance.com](http://wolfappliance.com), ou appelez le service à la clientèle de Wolf au 800-222-7820.



Emplacement de la plaque signalétique

### DIRECTIVES IMPORTANTES

#### ▲ AVERTISSEMENT

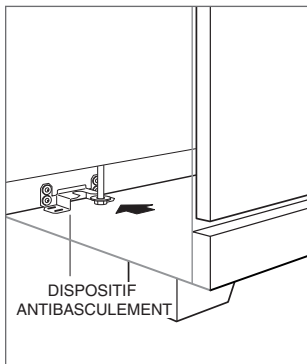
**Un enfant ou un adulte peuvent faire basculer cet appareil et être tués.**

**Vérifiez que le dispositif antibasculement est correctement installé et enclenché. Assurez-vous que le dispositif antibasculement est enclenché à nouveau lorsque l'appareil est déplacé. Reportez-vous aux illustrations ci-dessous pour savoir comment vérifier l'installation.**

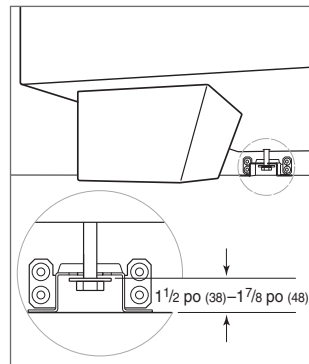
**Ne faites pas fonctionner cet appareil sans que le dispositif antibasculement ne soit en place et enclenché. Le non-respect de cette directive peut entraîner la mort ou des brûlures graves aux enfants ou aux adultes.**

**Pour réduire le risque de brûlure, ne déplacez pas cet appareil lorsqu'il est chaud.**

- Cet appareil est muni de roulettes sur deux pieds ou plus et il doit être installé sur des matériaux de finition de plancher en vinyle de composition de qualité commerciale de  $\frac{1}{8}$  po (3) d'épaisseur ou l'équivalent.
- Cet appareil n'est pas approuvé pour la ventilation d'air vers le bas ou l'équivalent à rideau d'air.



Emplacement du dispositif antibasculement.



Dispositif antibasculement enclenché



## Exigences d'installation

**REMARQUE IMPORTANTE :** Lorsque vous effectuez l'installation contre une surface combustible, une montée minimale de 10 po (254) est requise pour une cuisinière mixte de 36 po avec grilloir au charbon de bois ou plaque à frire et tous les modèles de 48 et 60 po. Respectez tous les dégagements minimaux jusqu'aux surfaces combustibles indiqués dans l'illustration de la page 7.

## Exigences électriques

L'installation doit se conformer à tous les codes électriques applicables.

Placez l'alimentation électrique à égalité avec le mur ou le plancher et dans la zone ombragée montrée dans l'illustration à la page 7. Un circuit séparé servant uniquement cet appareil est requis.

Si un cordon d'alimentation est utilisé, le cordon doit être désigné pour usage avec des cuisinières et qualifié pour 240 volts, 30 ou 50 ampères (reportez-vous au tableau ci-dessous) et doit comprendre trois ou quatre conducteurs. Un cordon à quatre conducteurs est requis pour les installations où la mise à la terre par le neutre est interdite.

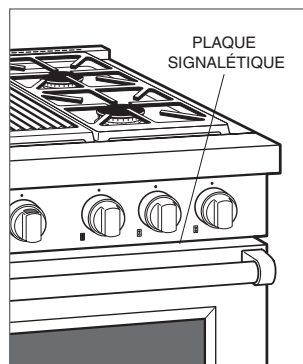
La performance peut être compromise si l'alimentation électrique est inférieure à 240 volts.

### EXIGENCES ÉLECTRIQUES—FOUR SIMPLE

Alimentation électrique	mise à la terre, 240/208 volts CA, 60 Hz
Service	circuit dédié de 30 ampères
Intensité électrique	21 ampères
Charge max. de connexion	5,2 kW

### EXIGENCES ÉLECTRIQUES—FOUR DOUBLE

Alimentation électrique	mise à la terre, 240/208 volts CA, 60 Hz
Service	circuit dédié de 50 ampères
Intensité électrique	42,5 ampères
Charge max. de connexion	10,2 kW



Emplacement de la plaque signalétique

## Alimentation en gaz

L'installation doit se conformer aux codes locaux, ou en l'absence de codes locaux, avec le code national relatif au gaz combustible.

Repérez l'alimentation en gaz dans la zone ombragée indiquée dans l'illustration sur les pages suivantes.

La cuisinière est configurée pour être utilisée avec du gaz naturel ou de pétrole liquéfié (PL). La plaque signalétique du produit possède des renseignements sur le type de gaz qui doit être utilisé. Pour connaître l'emplacement de la plaque signalétique, reportez-vous à l'illustration ci-dessous. Si le gaz disponible ne correspond pas à cette information, veuillez consulter le fournisseur de gaz local. Le régulateur de pression du gaz est intégré dans l'unité.

### EXIGENCES EN GAZ

#### GAZ NATUREL

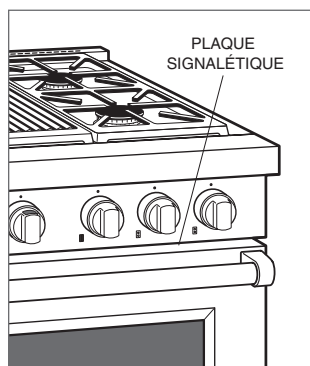
**CE**

Pression d'alimentation	5 po (12,5 mb)
Pression min. de la conduite	7 po (17,5 mb)
Pression max. du régulateur	14 po (34,9 mb), 0,5 lb/po <sup>2</sup> (3,5 kPa)

#### GAZ PL

**CE**

Pression d'alimentation	10 po (25 mb)
Pression min. de la conduite	11 po (27,4 mb)
Pression max. du régulateur	14 po (34,9 mb), 0,5 lb/po <sup>2</sup> (3,5 kPa)



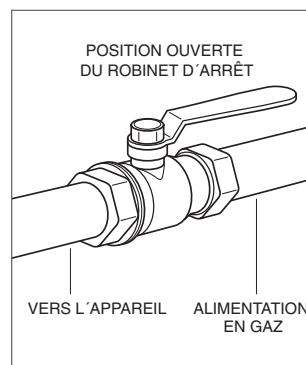
Emplacement de la plaque signalétique

La cuisinière doit être reliée à une alimentation en gaz régulée. La conduite d'alimentation doit être munie d'un robinet d'arrêt de gaz externe approuvé situé près de la cuisinière à un endroit accessible. Ne bloquez pas l'accès au robinet d'arrêt. Reportez-vous à l'illustration ci-dessous.

Une alimentation en gaz sous forme de conduite de 3/4 po (19) doit être fournie jusqu'à la cuisinière. Si les codes locaux le permettent, un connecteur d'appareil en métal flexible certifié de 3 pi (0,9 m) de longueur et de 1/2 po (13) ou 3/4 po (19) de diamètre intérieur est recommandé pour relier l'entrée femelle de 1/2 po NPT de l'unité à la conduite d'alimentation en gaz. Utilisez de la pâte pour joints pouvant être utilisée avec du gaz naturel ou de pétrole liquéfié.

Cet appareil et son robinet d'arrêt doivent être débranchés du système de conduite d'alimentation en gaz durant tout essai de pression du système à des pressions d'essai supérieures à 0,5 lb/po<sup>2</sup> (3,5 kPa). Cet appareil doit être isolé du système de conduite d'alimentation en gaz en fermant son robinet d'arrêt manuel individuel durant tout essai de pression du système à des pressions d'essai équivalentes ou inférieures à 0,5 lb/po<sup>2</sup> (3,5 kPa).

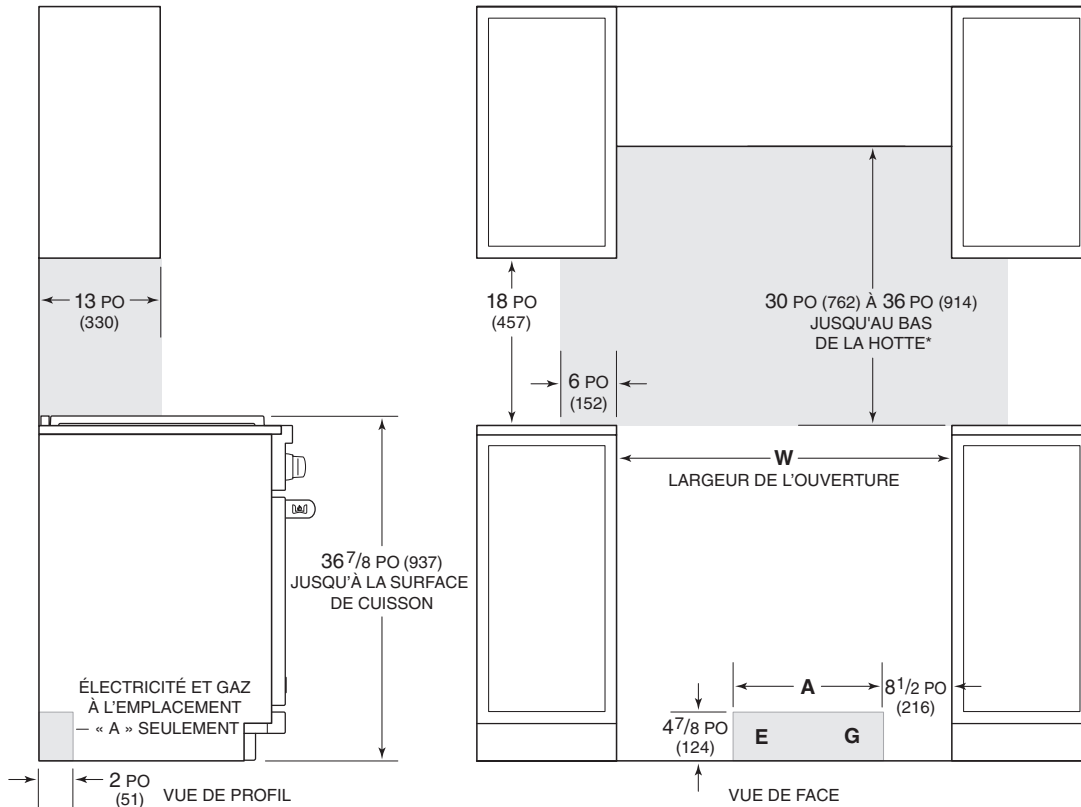
Les cuisinières au gaz naturel de Wolf fonctionneront jusqu'à une altitude de 10 250 pi (3 124 m) sans ajustement et les cuisinières au gaz PL fonctionneront jusqu'à 8 600 pi (2 621 m) d'altitude. Si l'installation dépasse ces altitudes, communiquez avec un dépositaire Wolf pour obtenir une trousse de conversion pour altitude plus élevée.



Robinet d'arrêt du gaz

## Cuisinière mixte

### INSTALLATION



\*Sans hotte, un dégagement minimal de 36 po (914) du comptoir jusqu'aux matériaux combustibles est requis, de 44 po (1 118) pour le grilloir au charbon de bois.

REMARQUE : La zone ombragée au-dessus du comptoir indique le dégagement minimal jusqu'aux surfaces combustibles; des matériaux combustibles ne peuvent pas se trouver dans cette zone.

Pour l'installation dans un îlot, un dégagement minimal de 12 po (305) derrière la cuisinière jusqu'au mur arrière combustible au-dessus du comptoir est requis.

LARGEUR DE L'OUVERTURE	L	A
Cuisinière de 30 po	30 po (762)	10 <sup>1</sup> / <sub>4</sub> po (260)
Cuisinière de 36 po	36 po (914)	16 <sup>1</sup> / <sub>4</sub> po (413)
Cuisinière de 48 po	48 po (1 219)	18 <sup>1</sup> / <sub>4</sub> po (464)
Cuisinière de 60 po	60 po (1 524)	18 <sup>1</sup> / <sub>4</sub> po (464)

## Préparation

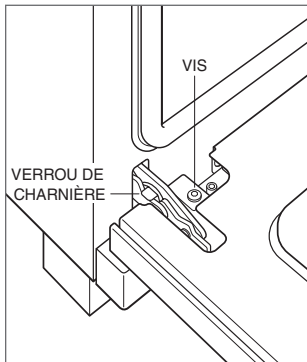
Avant de déplacer la cuisinière, protégez tout plancher fini et fixez la ou les portes du four en position fermée pour éviter tout dommage.

### RETRAIT DE LA PORTE DU FOUR

Pour alléger la charge ou pour passer à travers une entrée de porte, la porte du four peut être enlevée. Ne retirez la porte que si cela est nécessaire. Ne retirez pas la plaque à frire ou tout autre composant. Le retrait de la porte ne doit être effectué que par un technicien de service ou un installateur qualifiés. Ne soulevez pas et ne transportez pas la porte du four par la poignée.

Pour la retirer, ouvrez la porte complètement. Pivotez les deux verrous de charnière vers l'avant en position ouverte, retirez la vis située la plus près de la charnière des deux côtés, puis tirez la porte vers l'avant. Reportez-vous à l'illustration ci-dessous.

Pour la réinstaller, glissez la porte dans les charnières. Pivotez les verrous de charnière complètement vers l'arrière et installez les vis.



Retrait de la porte du four

## Mise en place

La cuisinière possède des roulettes arrière qui facilitent le mouvement en soulevant le devant de l'unité. Ne soulevez pas et ne transportez pas la cuisinière par la poignée de la porte du four.

Utilisez un chariot à appareil pour déplacer la cuisinière près de l'ouverture. Placez le chariot à appareil sur le côté et l'arrière pour éviter tout dommage. Retirez et recyclez les matériaux d'emballage. Ne jetez pas le support antibasculement fourni avec la cuisinière.

Si une montée a été précisée, reportez-vous aux directives d'installation comprises avec la montée. La montée doit être installée avant que la cuisinière soit installée.

## Nivellement

Soulevez la cuisinière jusqu'à la hauteur désirée en réglant les pieds avant et les roulettes arrière. Utilisez une douille de  $\frac{3}{4}$  po pour régler les roulettes arrière. Les pieds avant peuvent être réglés en les tournant dans le sens horaire pour les relever et dans le sens antihoraire pour les abaisser.

**REMARQUE IMPORTANTE :** Pour les modèles de 48 po et 60 po, distribuez la charge uniformément sur les trois pieds avant et les roulettes arrière.

## Support antibasculement

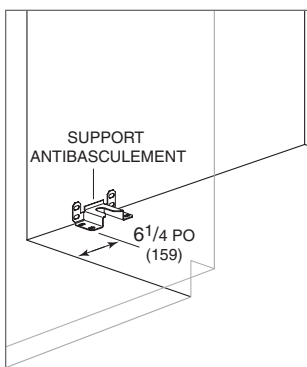
Pour empêcher la cuisinière de basculer vers l'avant, le support antibasculement doit être installé. Pour s'assurer que le boulon antibasculement enclenche le support, reportez-vous à l'illustration ci-dessous pour déterminer l'emplacement approprié.

### INSTALLATION DU SUPPORT

**Application sur cloison sèche :** Après avoir correctement placé le support antibasculement, marquez les trous, puis utilisez un tournevis cruciforme ou une perceuse électrique à faible vitesse pour enfoncer les dispositifs d'ancrage au mur dans la surface jusqu'à ce qu'ils soient affleurés. Pré-percez les trous au besoin. Pour les panneaux muraux durs ou la construction à panneau double, utilisez une mèche de  $\frac{1}{4}$  po. Pour le plâtre plein, utilisez une mèche de  $\frac{7}{16}$  po. Utilisez les vis n° 8 et les rondelles plates fournies pour fixer le support au mur.

**Application sur un plancher en bois :** Après avoir correctement placé le support antibasculement, percez des avant-trous de  $\frac{3}{16}$  po (5) dans le plancher. Utilisez les vis n° 12 et les rondelles plates fournies pour fixer le support au plancher.

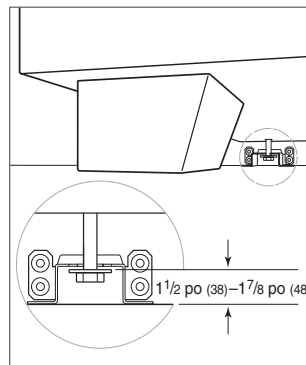
**Application sur un plancher en béton :** Après avoir correctement placé le support antibasculement, percez des trous de  $\frac{3}{8}$  po (10) dans le béton d'une profondeur d'au moins  $1\frac{1}{2}$  po (38). Utilisez les cales d'ancrage de  $\frac{3}{8}$  po pour fixer le support au plancher.



Emplacement du support antibasculement

### RÉGLAGE DU BOULON ANTIBASCULEMENT

Une fois le support fixé, réglez le boulon antibasculement de manière à ce que la partie supérieure de la rondelle se trouve à une distance de  $1\frac{1}{2}$  po (38) à  $1\frac{7}{8}$  po (48) du sol. Glissez la cuisinière dans l'ouverture et vérifiez que le boulon antibasculement soit enclenché. Reportez-vous à l'illustration ci-dessous.



Boulon antibasculement enclenché

## Connexion électrique

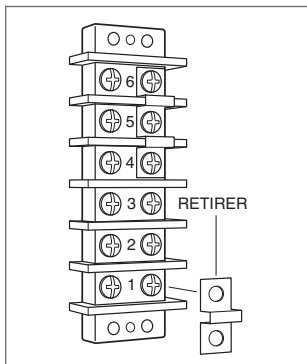
Le bloc de branchement situé à l'arrière de la cuisinière permet une installation à trois ou quatre fils. Retirez le couvercle du bloc de branchement pour exposer les vis avec les numéros correspondants. Acheminez les fils dans le réducteur de tension jusqu'au bloc de branchement.

### INSTALLATION À TROIS FILS

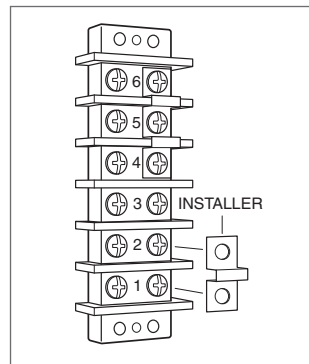
- 1 Déplacez la courroie métallique de mise à la masse aux positions un et deux. Reportez-vous à l'illustration ci-dessous.
- 2 Reliez le fil vert/de masse à la position un.
- 3 Reliez le fil rouge/L2 à la position trois.
- 4 Reliez le fil noir/L1 à la position quatre.
- 5 Serrez les vis du réducteur de tension et installez le couvercle du bloc de branchement.

### INSTALLATION À QUATRE FILS

- 1 Retirez la courroie métallique de mise à la masse.
- 2 Reliez le fil vert/de masse à la position un.
- 3 Reliez le fil blanc/neutre à la position deux.
- 4 Reliez le fil rouge/L2 à la position trois.
- 5 Reliez le fil noir/L1 à la position quatre.
- 6 Serrez les vis du réducteur de tension et installez le couvercle du bloc de branchement.



Trois et quatre fils



Trois fils seulement

## Connexion de l'alimentation en gaz

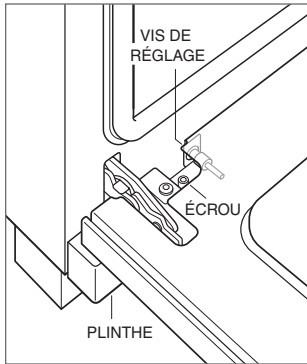
Toutes les connexions vers le tuyau de gaz doivent être serrées au moyen d'une clé. Ne serrez pas trop et ne laissez pas les tuyaux tourner lors du serrage.

Si un connecteur en métal flexible est utilisé, assurez-vous qu'il n'est pas tordu, puis reliez la conduite d'alimentation en gaz à l'admission de gaz sur la cuisinière. Ouvrez le robinet et vérifiez qu'il n'y ait pas de fuites en plaçant une solution de détergent liquide sur toutes les connexions de gaz. Si des bulles apparaissent autour des connexions, cela indique la présence d'une fuite de gaz. En cas de fuite, fermez le robinet d'arrêt et ajustez les connexions.

## Alignement de la porte

**Pour ajuster la porte, suivez les étapes suivantes :**

- 1 Retirez la plinthe en enlevant les vis.
- 2 Ouvrez la porte et desserrez l'écrou. Reportez-vous à l'illustration ci-dessous.
- 3 Fermez la porte et tournez la vis dans le sens horaire pour la relever et dans le sens antihoraire pour l'abaisser.
- 4 Ouvrez la porte et serrez l'écrou.
- 5 Fermez la porte et réinstallez la plinthe.



Alignement de la porte

## Dépannage

**REMARQUE IMPORTANTE :** Si la cuisinière ne fonctionne pas correctement, suivez les étapes de dépannage suivantes :

- Vérifiez que la cuisinière est alimentée en électricité.
- Assurez-vous que le robinet d'arrêt d'alimentation en gaz se trouve en position ouverte.
- Si la cuisinière ne fonctionne pas correctement, communiquez avec le centre service Wolf certifié par l'usine. Ne tentez pas de réparer la cuisinière. Wolf n'est pas responsable du service requis pour corriger une installation défectueuse.



WOLF APPLIANCE, INC. P.O. BOX 44848 MADISON, WI 53744 WOLFAPPLIANCE.COM 800.222.7820

9018962 REV-C

5/2020

