

DUAL FUEL RANGE

INSTALLATION GUIDE

SPECIFICATIONS, INSTALLATION, AND MORE



Contents

- 3 Safety Precautions
- 4 Specifications
- 7 Installation
- 11 Troubleshooting

Features and specifications are subject to change at any time without notice. Visit wolfappliance.com/specs for the most up-to-date information.

Important Note

To ensure this product is installed and operated as safely and efficiently as possible, take note of the following types of highlighted information throughout this guide:

IMPORTANT NOTE highlights information that is especially important.

CAUTION indicates a situation where minor injury or product damage may occur if instructions are not followed.

WARNING states a hazard that may cause serious injury or death if precautions are not followed.

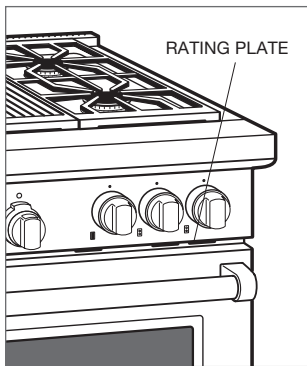
IMPORTANT NOTE: Throughout this guide, dimensions in parentheses are millimeters unless otherwise specified.

IMPORTANT NOTE: Save these instructions for the local electrical inspector.

Product Information

Important product information including the model and serial number are listed on the product rating plate. The rating plate is located on the bottom of the control panel, at the far right, just above the oven door. Refer to the illustration below.

If service is necessary, contact Wolf Factory Certified Service with the model and serial number. For the name of the nearest Wolf Factory Certified Service or for questions regarding the installation, visit the contact and support section of our website, wolfappliance.com, or call Wolf Customer Care at 800-222-7820.



Rating plate location

IMPORTANT INSTRUCTIONS

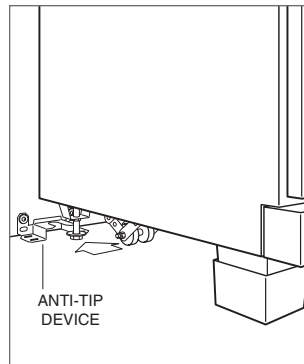
⚠ WARNING

A child or adult can tip this appliance and be killed.

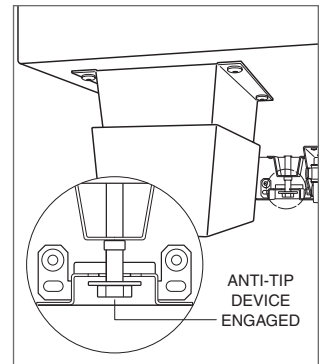
Verify the anti-tip device has been properly installed and engaged. Ensure the anti-tip device is re-engaged when this appliance is moved. Refer to the illustrations below for how to verify correct installation.

Do not operate this appliance without the anti-tip device in place and engaged. Failure to do so can result in death or serious burns to children or adults.

To reduce the risk of burns, do not move this appliance while hot.



Anti-tip device location



Anti-tip device engaged

- This appliance is equipped with casters on two or more legs and must be installed on 1/8" (3) thick commercial grade vinyl composition floor finishing materials or equivalent.
- This appliance is not approved for downward air-flow ventilation or air curtain equivalent.

Installation Requirements

IMPORTANT NOTE: When installing against a combustible surface, a minimum 10" (254) riser is required for a 36" dual fuel range with charbroiler or griddle and all 48" and 60" models. Follow all minimum clearances to combustible surfaces shown in the illustration on page 6.

Electrical Requirements

Installation must comply with all applicable electrical codes.

Locate the electrical supply flush with the wall or floor and within the shaded area shown in the illustration on page 6. A separate circuit servicing only this appliance is required.

If a power supply cord is used, the cord must be designated for use with ranges and rated for 240 V, 30 or 50 amps (refer to the chart below), and must include 3 or 4 conductors. A 4-conductor cord is required for installations where grounding through the neutral is prohibited.

Performance may be compromised if the electrical supply is less than 240 volts.

ELECTRICAL REQUIREMENTS—SINGLE OVEN

Electrical Supply	grounded, 240/208 VAC, 60 Hz
Service	30 amp dedicated circuit
Total Amps	21
Max Connected Load	5.2 kW
Min Supply Wire	L1, L2, ground—12 AWG neutral—16 AWG

ELECTRICAL REQUIREMENTS—DOUBLE OVEN

Electrical Supply	grounded, 240/208 VAC, 60 Hz
Service	50 amp dedicated circuit
Total Amps	42.5
Max Connected Load	10.2 kW
Min Supply Wire	L1, L2—8 AWG, ground—10 AWG neutral—12 AWG

SPECIFICATIONS

Gas Supply

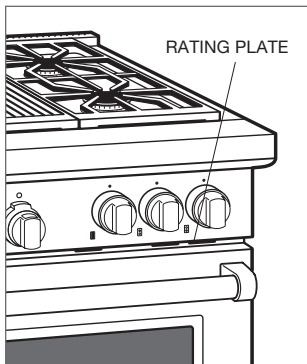
Installation must comply with local codes or, in the absence of local codes, with the National Fuel Gas Code.

Locate the gas supply within the shaded area shown in the illustration on the following page.

The range is equipped for use with natural or liquid propane (LP) gas. It is design certified by the Canadian Standards Association (CSA) for natural or LP gases. The product rating plate has information on the type of gas that should be used. For rating plate location, refer to the illustration below. If this information does not agree with the type of gas available, check with the local gas supplier. The gas pressure regulator is built into the unit.

GAS REQUIREMENTS

NATURAL GAS		WC
Supply Pressure	5" (12.5 mb)	
Min Line Pressure	7" (17.5 mb)	
Max Regulator Pressure	14" (34.9 mb), .5 psi (3.5 kPa)	
LP GAS		WC
Supply Pressure	10" (25 mb)	
Min Line Pressure	11" (27.4 mb)	
Max Regulator Pressure	14" (34.9 mb), .5 psi (3.5 kPa)	



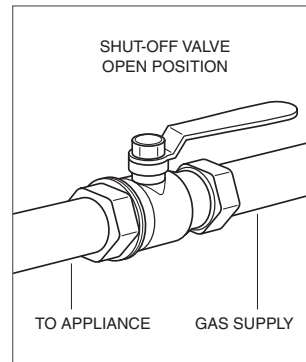
Rating plate location

The range must be connected to a regulated gas supply. The supply line must be equipped with an approved external gas shut-off valve located near the range in an accessible location. Do not block access to the shut-off valve. Refer to the illustration below.

A gas supply of $\frac{3}{4}$ " (19) ID line must be provided to the range. If local codes permit, a certified, 3' (.9 m) long, $\frac{1}{2}$ " (13) or $\frac{3}{4}$ " (19) ID flexible metal appliance connector is recommended to connect the units $\frac{1}{2}$ " NPT female inlet to the gas supply line. Pipe joint compounds suitable for use with natural or LP gas should be used.

The appliance and its shut-off valve must be disconnected from the gas supply piping system during any pressure testing of the system at test pressures in excess of .5 psi (3.5 kPa). The appliance must be isolated from the gas supply piping system by closing its individual manual shut-off valve during any pressure testing of the system at test pressures equal to or less than .5 psi (3.5 kPa).

Wolf natural gas ranges will function up to 10,250' (3124 m) in altitude without adjustment and LP gas ranges will function up to 8,600' (2621 m). If the installation exceeds these elevations, contact an authorized Wolf dealer for a high altitude conversion kit.

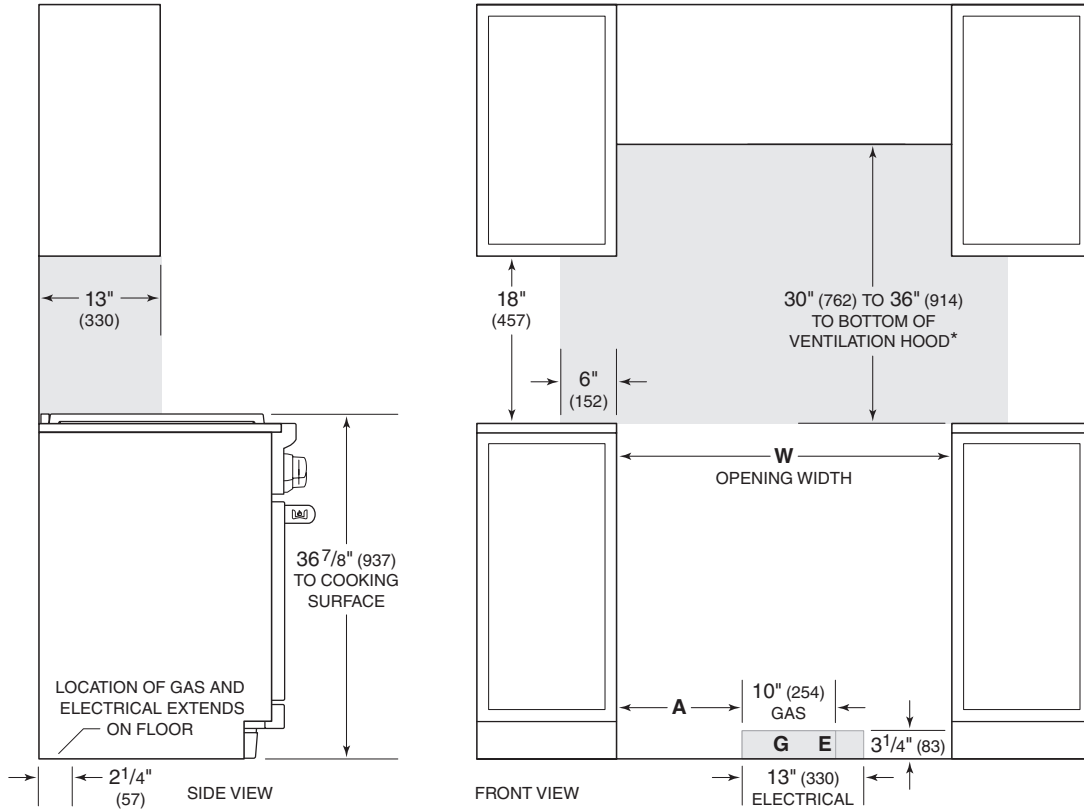


Gas shut-off valve

SPECIFICATIONS

Dual Fuel Range

INSTALLATION



*Without ventilation hood, 36" (914) minimum clearance countertop to combustible materials, 44" (1118) for charbroiler.

NOTE: Shaded area above countertop indicates minimum clearance to combustible surfaces, combustible materials cannot be located within this area.

For island installation, 12" (305) minimum clearance back of range to combustible rear wall above countertop.

OPENING WIDTH	W	A
30" Model	30" (762)	8 1/2" (216)
36" Model	36" (914)	13 1/2" (343)
48" Model	48" (1219)	24" (610)
60" Model	60 1/4" (1530)	31" (787)

Preparation

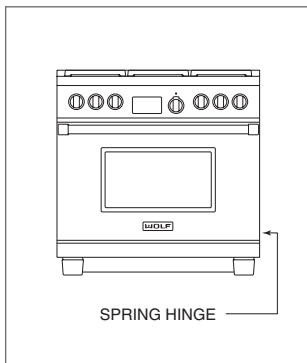
Before moving the range, protect any finished flooring and secure oven door(s) closed to prevent damage.

To lighten the load or to fit through a door way, the oven door(s) can be removed. Remove only if necessary. Do not remove the griddle or any other component. Door removal should be done only by a certified installer or service technician.

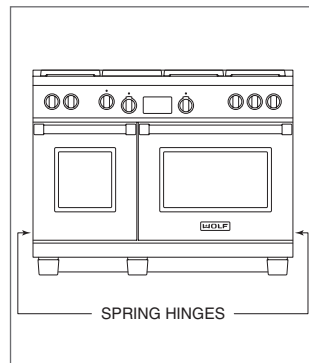
For removal, a hinge pin will be inserted into the appropriate hinge shown in the illustrations below. The pin(s) are located inside the oven door. For single oven ranges, the hinge pin must be inserted in the right hinge. For double oven ranges, the pins must be placed in the outer two hinges.

⚠ CAUTION

Failure to insert the hinge pin in the appropriate hinge arm will cause damage to the range.



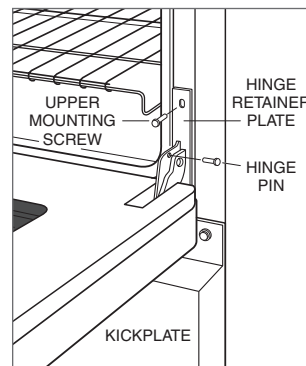
Single oven ranges



Double oven ranges

OVEN DOOR REMOVAL

- 1 Insert the hinge pin into the appropriate hinge.
- 2 Remove the lower kickplate assembly to access the lower hinge retainer mounting screws.
- 3 Open the oven door and remove both upper and lower hinge retainer mounting screws. The oven gasket may have to be moved slightly to access the bottom screws.
- 4 Move the hinge retainer plate forward slightly. The hinge retainer plate will remain on the door hinge after the mounting screws have been removed.
- 5 Carefully close the oven door to approximately 60°, then lift the door up and out. A slight rocking motion may be required for removal.



Oven door removal

INSTALLATION

Placement

Do not lift or carry the oven door by the door handle. The range has rear casters which allow for easy movement by lifting the front of the unit.

Use an appliance dolly to move the range near the opening. Remove and recycle packing materials. Do not discard the anti-tip bracket provided with the range.

If a riser has been specified, refer to installation instructions packaged with the riser. The riser must be installed before the range is installed.

Leveling

Raise the range to its desired height by adjusting the front legs and rear casters. Use a $\frac{3}{4}$ " socket to adjust the rear casters. The front legs can be adjusted by rotating the hexagonal leg clockwise to raise and counterclockwise to lower.

INSTALLATION

Anti-Tip Bracket

To prevent the range from tipping forward, the anti-tip bracket must be installed. To ensure the anti-tip bolt engages the bracket, refer to the chart and illustration below to determine proper placement.

ANTI-TIP BRACKET	A
30" Range	$\frac{3}{16}$ " (5)
36" Range	$\frac{9}{16}$ " (14)
48" Range	$\frac{3}{16}$ " (5)
60" Range	$\frac{5}{16}$ " (8)

INSTALL BRACKET

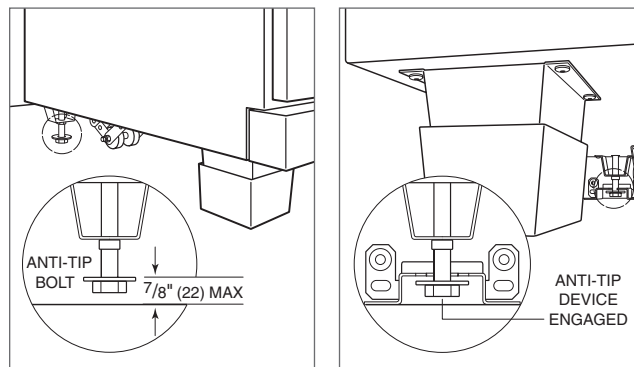
Drywall application: After properly positioning the anti-tip bracket, mark the holes, then use a Phillips screwdriver or a low rpm power drill to drive the wall anchor into the surface of the wallboard until flush. Pre-drill the holes if needed. For hard wallboard or double-board construction, use a $\frac{1}{4}$ " drill bit. For solid plaster, use a $\frac{7}{16}$ " drill bit. Refer to the illustration below. Use the #8 screws and flat washers to fasten the bracket to the wall.

Wood floor application: After properly positioning the anti-tip bracket, drill $\frac{3}{16}$ " (5) pilot holes through the floor. Use the #12 screws and flat washers to secure the bracket to the floor.

Concrete floor application: After properly positioning the anti-tip bracket, drill $\frac{3}{8}$ " (10) holes into the concrete a minimum of $1\frac{1}{2}$ " (38) deep. Use the $\frac{3}{8}$ " wedge anchors to secure the bracket to the floor.

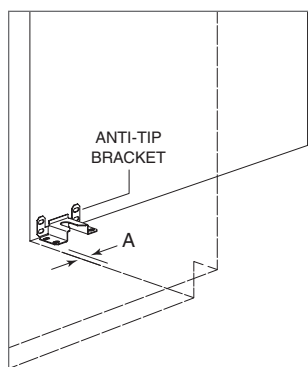
ANTI-TIP BOLT ADJUSTMENT

Once the bracket is secure, adjust the anti-tip bolt so the top of the washer is $\frac{7}{8}$ " (22) maximum from the floor. Slide the range into the opening and verify the anti-tip bolt is engaged. Refer to the illustrations below.

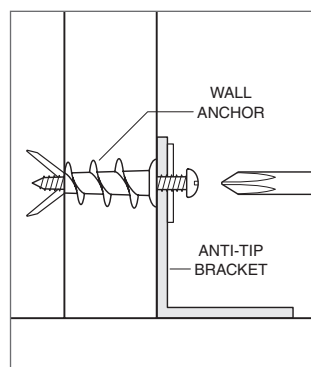


Anti-tip bolt adjustment

Anti-tip bolt engaged



Anti-tip bracket location



Wall anchor installation

Electrical Connection

The terminal block on the back of the range allows for a 3-wire or 4-wire installation. For a 4-wire installation, the ground strap from the unit to the terminal block must be cut. Two concentric knockouts are provided to allow for permanent or cordset wiring of the unit.

THREE-WIRE ELECTRICAL SYSTEM

- 1 Where local codes permit, connect the ground appliance wire to the neutral (white) supply wire.
- 2 Connect the ground and white appliance wires to the neutral (white) supply wire in the electrical box.
- 3 Connect the black appliance wire to the black (L1) power supply wire in the electrical box.
- 4 Connect the red appliance wire to the red (L2) power supply wire in the electrical box.

FOUR-WIRE ELECTRICAL SYSTEM

- 1 Separate the ground and white appliance wires.
- 2 Connect the white appliance wire to the neutral (white) supply wire in the electrical box.
- 3 Connect the black appliance wire to the black (L1) power supply wire in the electrical box.
- 4 Connect the red appliance wire to the red (L2) power supply wire in the electrical box.
- 5 Connect the ground appliance wire to the green/ground house grounding wire in the electrical box.

Gas Supply Connection

All connections to the gas piping must be wrench-tightened. Do not overtighten or allow pipes to turn when tightening.

If a flexible metal connector is used, verify it is not kinked, then attach the gas supply line to the regulator on the range. Open the valve and check for leaks by placing a liquid detergent solution onto all gas connections. Bubbles around the connections indicate a gas leak. If a leak appears, close the shut-off valve and adjust the connections.

Troubleshooting

IMPORTANT NOTE: If the range does not operate properly, follow these troubleshooting steps:

- Verify electrical power is supplied to the range.
- Verify the gas supply shut-off valve is in the open position.
- If the range does not operate properly, contact Wolf Factory Certified Service. Do not attempt to repair the range. Wolf is not responsible for service required to correct a faulty installation.

Contenido

- 3 Precauciones de seguridad
- 4 Especificaciones
- 7 Instalación
- 11 Resolución de problemas

Las características y especificaciones están sujetas a cambios sin previo aviso. Visite wolfappliance.com/specs para obtener la información más actualizada.

Aviso importante

Para garantizar que este producto se instale y opere de la forma más segura y eficiente posible, tome nota de los siguientes tipos de información resaltada en esta guía:

AVISO IMPORTANTE señala la información que es especialmente importante.

PRECAUCIÓN indica una situación en la que se pueden sufrir heridas leves o provocar daños al producto si no se siguen las instrucciones.

ADVERTENCIA indica peligro de que se produzcan heridas graves o incluso la muerte si no se siguen las precauciones.

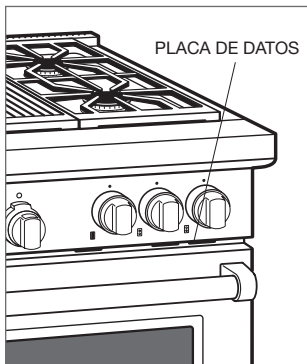
AVISO IMPORTANTE: en toda esta guía, las dimensiones entre paréntesis son milímetros, a menos que se especifique lo contrario.

AVISO IMPORTANTE: guarde estas instrucciones para el inspector eléctrico local.

Información del producto

La información importante del producto, incluido el modelo y número de serie de la unidad, se encuentra en la placa de datos del producto. La placa de datos se encuentra en la parte inferior del montaje del panel de control, en el extremo derecho, justo por encima de la puerta del horno. Consulte la siguiente ilustración.

Si necesita servicio, póngase en contacto con el centro de servicio autorizado de Wolf y tenga a la mano el modelo y número de serie de la unidad. Para obtener los datos del centro de servicio autorizado de Wolf más cercano o si tiene preguntas acerca de la instalación, visite la sección de contacto y soporte técnico en nuestra página de Internet wolfappliance.com o llame a la línea de atención al cliente de Wolf al 800-222-7820.



Ubicación de la placa de datos

INSTRUCCIONES IMPORTANTES

⚠ ADVERTENCIA

Si un niño o un adulto jalan el electrodoméstico este puede volcarse y causarles la muerte.

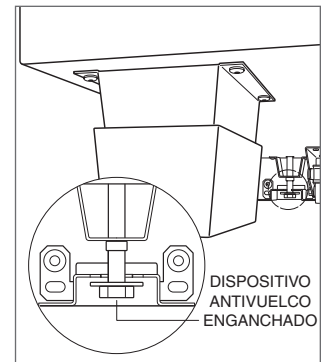
Compruebe que el dispositivo antivuelco haya sido instalado y esté enganchado correctamente. Asegúrese de volver a enganchar el dispositivo antivuelco después de cambiar el electrodoméstico de lugar. Consulte las ilustraciones siguientes para saber cómo comprobar su instalación correcta.

No opere este electrodoméstico sin el dispositivo antivuelco en posición y enganchado. No seguir esta instrucción puede resultar en la muerte o en graves quemaduras en niños o adultos.

Para reducir el riesgo de quemaduras, no mueva el electrodoméstico mientras está caliente.



Ubicación del dispositivo antivuelco



Dispositivo antivuelco enganchado

- Este electrodoméstico está equipado con ruedas en dos o más patas y debe ser instalado sobre pisos de grado comercial con $\frac{1}{8}$ " (3) de grosor, hechos de materiales compuestos con vinilo o equivalentes.
- Este electrodoméstico no ha sido aprobado para la ventilación con flujo de aire dirigido hacia abajo o una cortina de aire equivalente.

Requisitos de instalación

AVISO IMPORTANTE: al realizar la instalación contra una superficie combustible, se requiere una tarima con altura mínima de 10" (254) para una estufa de energía dual de 36" (914) con parrilla o plancha y para todos los modelos de 48" (1219) y 60" (1524).

Instalación eléctrica

La instalación debe tener una conexión a tierra de conformidad con los códigos locales o, en ausencia de códigos locales, con el Código Nacional de Electricidad, ANSI/NFPA 70.

Coloque el suministro eléctrico a ras con la pared o el piso y dentro del área sombreada que se muestra en la ilustración de la página 6.

Si se utiliza un cable de alimentación, el cable debe haber sido concebido para uso con estufas y tener capacidad para 240 V, 30 o 50 amperes (consulte la tabla siguiente), y debe incluir 3 o 4 conductores. Se requiere un cable de 4 conductores para instalaciones en las que está prohibido realizar la conexión a tierra a través del cable neutro.

El rendimiento puede verse comprometido si el suministro eléctrico es menor a 240 voltios.

REQUISITOS ELÉCTRICOS – HORNO SENCILLO

Suministro eléctrico	Con conexión a tierra, 240/208 V CA, 60 Hz
Servicio	Circuito dedicado de 30 amperes
Total de amperes	21
Carga máxima conectada	5.2 kW
Cable de suministro mínimo	L1, L2, a tierra – 12 AWG neutro – 16 AWG

REQUISITOS ELÉCTRICOS – HORNO DOBLE

Suministro eléctrico	Con conexión a tierra, 240/208 V CA, 60 Hz
Servicio	Circuito dedicado de 50 amperes
Total de amperes	42.5
Carga máxima conectada	10.2 kW
Cable de suministro mínimo	L1, L2 – 8 AWG, a tierra – 10 AWG neutro – 12 AWG

Suministro de gas

La instalación debe cumplir con los códigos locales o, en ausencia de códigos locales, con el Código Nacional de Gas Combustible.

Localice el suministro de gas en la zona sombreada que se muestra en la ilustración de la página 6.

La estufa está equipada para su uso con gas licuado (LP) o propano natural. Su diseño está certificado por la Asociación Canadiense de Normas (CSA, por sus siglas en inglés) para gas natural o LP. La placa de datos del producto contiene información sobre el tipo de gas que se debe utilizar. Para ubicar la placa de datos, consulte la siguiente ilustración. Si esta información no coincide con el tipo de gas disponible, consulte con el proveedor de gas local. El regulador de presión de gas se encuentra interconstruido dentro de la unidad.

REQUISITOS DEL SUMINISTRO DE GAS

GAS NATURAL

Presión del suministro de gas	5" (12.5 mb) WC
Presión mínima de la línea	7" (17.5 mb) WC
Presión máxima hacia el regulador	14" (34.9 mb) WC, .5 psi (3.5 kPa)

GAS LP

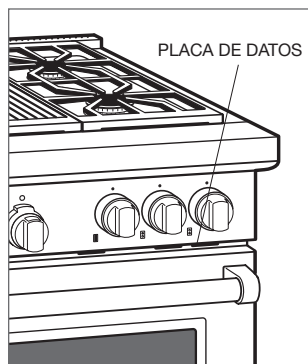
Presión del suministro de gas	10" (25 mb) WC
Presión mínima de la línea	11" (27.4 mb) WC
Presión máxima hacia el regulador	14" (34.9 mb) WC, .5 psi (3.5 kPa)

La estufa debe conectarse a un suministro de gas regulado. La línea del suministro debe estar equipada con una llave de paso externa aprobada para gas ubicada cerca de la estufa en un lugar accesible. No bloquee el acceso a la llave de paso. Consulte la siguiente ilustración.

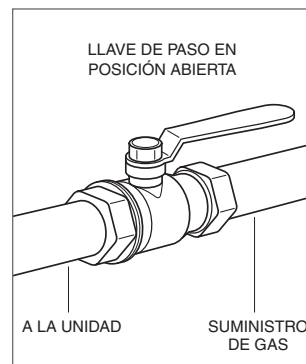
Se debe proporcionar una línea de suministro de gas de 3/4" (19) de línea de diámetro interno para la estufa. Si el código local lo permite, se recomienda utilizar un conector metálico flexible certificado, de 3' (.9 m) de largo, 1/2" (13) o 3/4" (19) de diámetro interior para conectar la entrada NPT hembra de 1/2" de la unidad a la línea de suministro de gas. Debe utilizar compuestos para juntas de tubería aptos para uso con gas natural o gas LP.

Debe desconectar el electrodoméstico y la llave de paso del sistema de tuberías del suministro de gas durante cualquier prueba de presión del sistema a presiones de prueba mayores a 5 psi (3.5 kPa). Debe aislar el electrodoméstico del sistema de tuberías del suministro de gas cerrando manualmente la llave de paso durante cualquier prueba de presión del sistema a presiones de prueba iguales o inferiores a .5 psi (3.5 kPa).

Las estufas a gas natural de Wolf funcionarán hasta 10,250' (3124 m) de altitud sin ajuste y las estufas a gas LP funcionarán hasta 8,600' (2621 m). Si la instalación supera estas elevaciones, póngase en contacto con su distribuidor autorizado de Wolf para conseguir un kit de conversión para regiones altas.



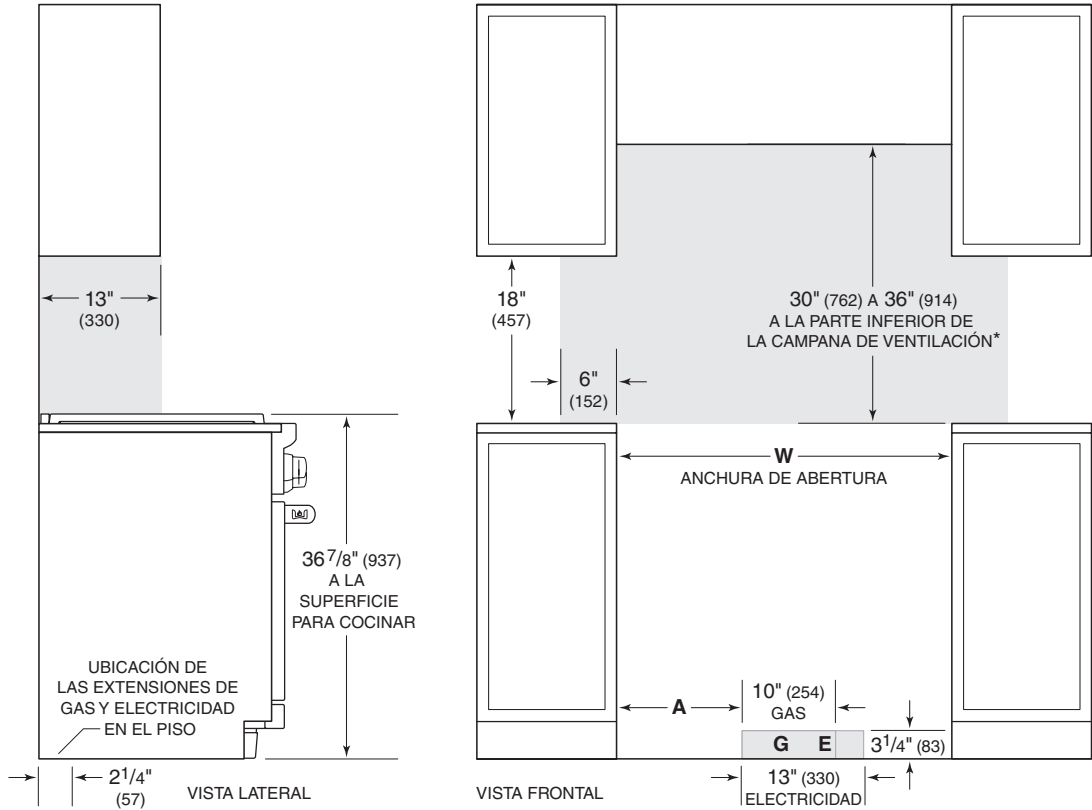
Ubicación de la placa de datos



Llave de paso del suministro de gas

Estufa de energía dual

INSTALACIÓN



*Sin campana extractora, distancia mínima de 36" (914) desde el mostrador hasta los materiales combustibles, 44" (118) para la parrilla.
 NOTA: La zona sombreada sobre el mostrador indica la distancia mínima a las superficies combustibles, los materiales combustibles no se pueden colocar en esta área.
 Para instalaciones en isla, distancia mínima de 12" (305) de la parte posterior de la estufa a la pared trasera inflamable sobre el mostrador.

ESTUFA DE ENERGÍA DUAL	W	A
Estufa de 30"	30" (762)	8 1/2" (216)
Estufa de 36"	36" (914)	13 1/2" (343)
Estufa de 48"	48" (1219)	24" (610)
Estufa de 60"	60 1/4" (1530)	31" (787)

Preparación

Antes de mover la estufa, proteja cualquier suelo acabado y asegúrese de que la puerta del horno esté cerrada para que no se dañe.

Puede quitar la(s) puerta(s) del horno para aligerar la carga o para pasar el horno por una puerta. Quítela únicamente si es necesario. No retire la plancha ni ninguno de los otros componentes. El proceso para quitar la puerta del horno solamente debe ser realizado por un instalador certificado o un técnico de servicio.

Para quitarla, se insertará un pasador de bisagra en la bisagra correspondiente como se muestra en las siguientes ilustraciones. El pasador (pasadores) se encuentra al interior de la puerta del horno. Para las estufas con horno sencillo, el pasador de la bisagra se debe insertar en la bisagra derecha. Para las estufas con horno doble, los pasadores se deben colocar en las dos bisagras exteriores.

⚠ PRECAUCIÓN

No insertar el pasador de la bisagra en el brazo de la bisagra correspondiente provocará que la estufa se dañe.



Estufas con horno sencillo



Estufas con horno doble

CÓMO QUITAR LA PUERTA DEL HORNO

- 1 Inserte el pasador de la bisagra en la bisagra correspondiente.
- 2 Retire el montaje del zócalo inferior para acceder a los tornillos de montaje del retenedor de la bisagra inferior.
- 3 Abra la puerta del horno y retire los tornillos de montaje del retenedor de la bisagra superior y de la inferior. Es posible que deba mover ligeramente el empaque del horno para ganar acceso a los tornillos de abajo.
- 4 Mueva la placa de retención de la bisagra ligeramente hacia adelante. La placa de retención de la bisagra permanecerá en la bisagra de la puerta después de haber quitado los tornillos de montaje.
- 5 Cierre cuidadosamente la puerta del horno a aproximadamente 60°, a continuación levante la puerta hacia arriba y hacia afuera. Un suave movimiento de balanceo puede ser necesario para extraerla.



Cómo quitar la puerta del horno

Colocación

No utilice la manija de la puerta del horno para levantar la puerta ni para transportarla. La estufa tiene ruedas traseras para facilitar su desplazamiento levantando el frente de la unidad.

Utilice una plataforma rodante para mover la unidad cerca de la abertura. Retire y recicle los materiales de embalaje. No deseche el soporte antivuelco suministrado con la estufa.

Si se ha especificado el uso de una tarima, consulte las instrucciones de instalación que vienen con la tarima. Debe instalar la tarima antes de instalar la estufa.

Nivelación

Para levantar la unidad a la altura deseada, ajuste las patas delanteras y las ruedas traseras. Utilice una llave de $\frac{3}{4}$ " para ajustar las ruedas traseras. Las patas delanteras se pueden ajustar girando la pata hexagonal hacia la derecha para subir y hacia la izquierda para bajar.

Soporte antivuelco

Para evitar que la unidad se incline hacia delante y proporcionar una instalación estable, la unidad debe estar asegurada en su lugar con el soporte antivuelco. Para asegurarse de que el perno antivuelco se acople con el soporte, consulte el gráfico y la ilustración de abajo para determinar cómo colocarlo correctamente.

SOPORTE ANTIVUELCO

	A
Estufa de 30"	$\frac{3}{16}$ " (5)
Estufa de 36"	$\frac{9}{16}$ " (14)
Estufa de 48"	$\frac{3}{16}$ " (5)
Estufa de 60"	$\frac{5}{16}$ " (8)

CÓMO INSTALAR EL SOPORTE

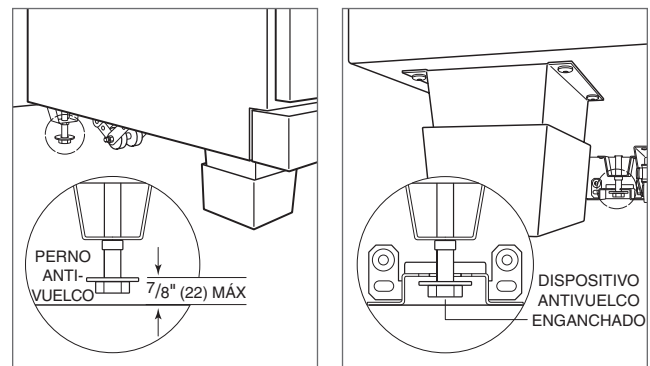
Aplicación en panel de yeso: Después de colocar correctamente el soporte antivuelco, marque los orificios, luego utilice un desarmador Phillips o un taladro eléctrico a bajas rpm para introducir el anclaje de pared en el panel de yeso hasta que quede a ras con la superficie. Si es necesario taladre los orificios con anticipación. Para paneles de yeso duro o construcción de doble placa, utilice una broca de $\frac{1}{4}$ ". Para yeso sólido, utilice una broca de $\frac{7}{16}$ ". Consulte la siguiente ilustración. Utilice tornillos #8 y arandelas planas para sujetar el soporte a la pared.

Aplicación en piso de madera: Después de colocar correctamente el soporte antivuelco, taladre orificios guía de $\frac{3}{16}$ " (5) en el piso. Utilice tornillos #12 y arandelas planas para asegurar el soporte al piso.

Aplicación en piso de concreto: Después de colocar correctamente el soporte antivuelco, taladre orificios de $\frac{3}{8}$ " (10) en el concreto a una profundidad mínima de $1\frac{1}{2}$ " (38). Utilice anclas de cuña de $\frac{3}{8}$ " para asegurar el soporte al piso.

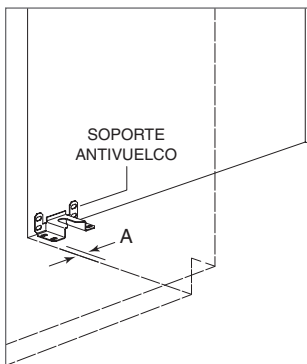
CÓMO AJUSTAR EL PERNO ANTIVUELCO

Una vez que el soporte está asegurado, ajuste el perno antivuelco de tal manera que la arandela quede como máximo a $\frac{7}{8}$ " (22) del piso. Deslice la estufa dentro de la abertura y compruebe que el perno antivuelco esté enganchado. Consulte las siguientes ilustraciones.

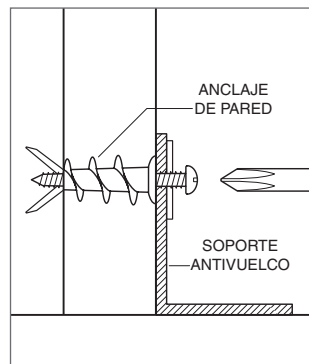


Cómo ajustar el perno antivuelco

Perno antivuelco enganchado



Ubicación del soporte antivuelco



Instalación del anclaje de pared

Conexión eléctrica

El bloque de terminales en la parte posterior de la estufa permite una instalación de 3 cables o 4 cables. Para una instalación de 4 cables, debe cortar la banda de conexión a tierra en el bloque de terminales de la unidad. Se proporcionan dos tapas prepunzonadas concéntricas para permitir el cableado permanente o en conjunto de la unidad.

SISTEMA ELÉCTRICO DE TRES CABLES

- 1 Donde el código local lo permita, conecte el cable de conexión a tierra del electrodoméstico con el cable neutro (blanco) del suministro.
- 2 Conecte el cable de conexión a tierra y el cable blanco del electrodoméstico con el cable neutro (blanco) del suministro en la caja eléctrica.
- 3 Conecte el cable negro del electrodoméstico al cable negro (L1) del suministro eléctrico en la caja eléctrica.
- 4 Conecte el cable rojo del electrodoméstico con el cable rojo (L2) del suministro eléctrico en la caja eléctrica.

SISTEMA ELÉCTRICO DE CUATRO CABLES

- 1 Separe el cable de conexión a tierra y el cable blanco del electrodoméstico.
- 2 Conecte el cable blanco del electrodoméstico con el cable neutro (blanco) del suministro en la caja eléctrica.
- 3 Conecte el cable negro del electrodoméstico al cable negro (L1) del suministro eléctrico en la caja eléctrica.
- 4 Conecte el cable rojo del electrodoméstico con el cable rojo (L2) del suministro eléctrico en la caja eléctrica.
- 5 Conecte el cable de conexión a tierra del electrodoméstico al cable verde/de conexión a tierra de la casa en la caja eléctrica.

Conexión del suministro de gas

Todas las conexiones a la tubería de gas deben apretarse con llave. No apriete demasiado ni permita que las tuberías giren al apretarlas.

Si se utiliza un conector de metal flexible, compruebe que no esté doblado y, a continuación, conecte la línea de suministro de gas al regulador en la estufa. Abra la válvula y revise si hay fugas mediante la colocación de una solución de detergente líquido sobre todas las conexiones de gas. La presencia de burbujas alrededor de las conexiones es indicador de una fuga de gas. Si aparece una fuga, cierre la llave de paso y ajuste las conexiones.

Resolución de problemas

AVISO IMPORTANTE: si la estufa no funciona correctamente, siga estos pasos para resolver los problemas:

- Compruebe que la estufa tiene corriente eléctrica.
- Compruebe que la llave de paso del suministro de gas se encuentra en posición abierta.
- Si la estufa no funciona correctamente, póngase en contacto con el centro de servicio autorizado de Wolf. No intente reparar la estufa. Wolf no es responsable del servicio necesario para corregir una instalación defectuosa.

Table des matières

- 3 Précautions de sécurité
- 4 Spécifications
- 7 Installation
- 11 Dépannage

Les caractéristiques et les spécifications peuvent être modifiées en tout temps sans préavis. Visitez wolfappliance.com/specs pour obtenir les renseignements les plus récents.

Remarque importante

Pour s'assurer que ce produit est installé et utilisé en toute sécurité et aussi efficacement que possible, prenez note des types de renseignements mis en évidence tout au long de ce guide :

REMARQUE IMPORTANTE met en évidence des renseignements qui sont particulièrement importants.

MISE EN GARDE indique une situation où une blessure mineure ou des dommages au produit peuvent se produire si les directives ne sont pas respectées.

AVERTISSEMENT décrit un danger qui peut causer une blessure grave ou la mort si les précautions ne sont pas respectées.

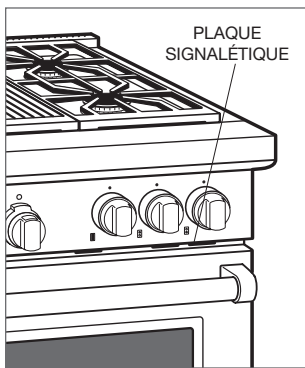
REMARQUE IMPORTANTE : tout au long de ce guide, les dimensions entre parenthèses sont en millimètres à moins d'indication contraire.

REMARQUE IMPORTANTE : conservez ces directives pour l'inspecteur en électricité local.

Renseignements sur le produit

Des renseignements importants sur le produit, y compris les numéros de modèle et de série, se trouvent sur la plaque signalétique du produit. La plaque signalétique est située au fond de l'assemblage du panneau de contrôle à l'extrême droite, juste au-dessus de la porte du four. Reportez-vous à l'illustration ci-dessous.

Si vous avez besoin de service, communiquez avec le service Wolf certifié par l'usine avec les numéros de modèle et de série. Pour obtenir le nom du centre de service Wolf certifié par l'usine le près de chez vous ou si vous avez des questions concernant l'installation, consultez la section Contact et assistance de notre site Web, wolfappliance.com ou appelez le service à la clientèle de Wolf au 800-222-7820.



Emplacement de la plaque signalétique

DIRECTIVES IMPORTANTES

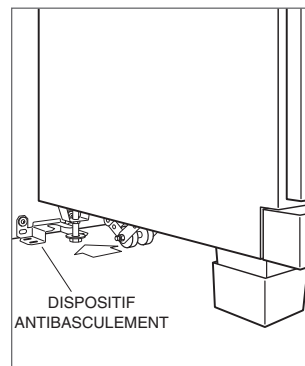
⚠ AVERTISSEMENT

Un enfant ou un adulte peuvent faire basculer cet appareil et être tués.

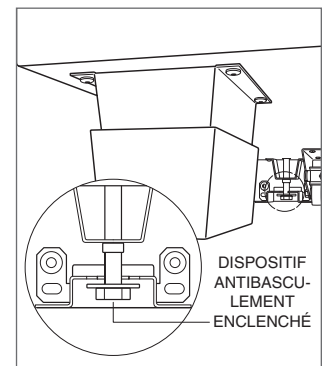
Vérifiez que le dispositif antibasculement est correctement installé et enclenché. Assurez-vous que le dispositif antibasculement est enclenché à nouveau lorsque l'appareil est déplacé. Reportez-vous aux illustrations ci-dessous pour savoir comment vérifier l'installation.

Ne faites pas fonctionner cet appareil sans que le dispositif antibasculement ne soit en place et enclenché. Le non-respect de cette directive peut entraîner la mort ou des brûlures graves aux enfants ou aux adultes.

Pour réduire le risque de brûlure, ne déplacez pas cet appareil lorsqu'il est chaud.



Emplacement du dispositif antibasculement



Dispositif antibasculement enclenché

- Cet appareil est muni de roulettes sur deux pieds ou plus et il doit être installé sur du matériel de finition de plancher en composition de vinyle de qualité commerciale de 1/8 po (3) d'épaisseur ou l'équivalent.
- Cet appareil n'est pas approuvé pour la ventilation d'air vers le bas ou l'équivalent à rideau d'air.

Exigences d'installation

REMARQUE IMPORTANTE : lorsque vous effectuez l'installation contre une surface combustible, une montée minimale de 10 po (254) est requise pour une cuisinière mixte de 36 po (914) avec grilloir type charbon de bois ou plaque à frire et avec tous les modèles de 48 po (1 219) et 60 po (1 524).

Électricité

L'installation doit être mise à la terre électriquement conformément aux codes locaux ou, en l'absence de codes locaux, au code national de l'électricité, ANSI/NFPA 70.

Placez l'alimentation électrique à égalité avec le mur ou le plancher et dans la zone ombragée montrée dans l'illustration à la page 6.

Si un cordon d'alimentation sera utilisé, le cordon doit être désigné pour usage avec des cuisinières et qualifié pour 240 volts, 30 ou 50 ampères (reportez-vous au tableau ci-dessous) et doit comprendre trois ou quatre conducteurs. Un cordon à quatre conducteurs est requis pour les installations où la mise à la terre par le neutre est interdite.

La performance peut être compromise si l'alimentation électrique est inférieure à 240 volts.

EXIGENCES ÉLECTRIQUES—UN FOUR

Alimentation électrique	mise à la terre 240/208 volts CA, 60 Hz
Service	circuit dédié de 30 ampères
Intensité électrique	21 ampères
Charge max de connexion	5,2 kW
Fil d'alimentation min	L1, L2, mis à la terre—12 AWG neutre—16 AWG

EXIGENCES ÉLECTRIQUES—DEUX FOURS

Alimentation électrique	mise à la terre 240/208 volts CA, 60 Hz
Service	circuit dédié de 50 ampères
Intensité électrique	42,5 ampères
Charge max de connexion	10,2 kW
Fil d'alimentation min	L1 et L2—8 AWG, mis à la terre—10 AWG, neutre—12 AWG

Alimentation en gaz

L'installation doit se conformer aux codes locaux ou, en l'absence de codes locaux, au code national relatif au gaz combustible.

Repérez l'alimentation en gaz dans la zone ombragée indiquée dans l'illustration à la page 6.

La cuisinière est configurée pour être utilisée avec du gaz naturel ou de pétrole liquéfié (PL). Sa conception est certifiée par l'Association canadienne de normalisation (ACNOR) pour le gaz naturel et le gaz de pétrole liquéfié. La plaque signalétique du produit possède des renseignements sur le type de gaz qui doit être utilisé. Pour connaître l'emplacement de la plaque signalétique, reportez-vous à l'illustration ci-dessous. Si le gaz disponible ne correspond pas à cette information, veuillez consulter le fournisseur de gaz local. Le régulateur de pression du gaz n'est pas intégré dans l'unité.

EXIGENCES D'ALIMENTATION EN GAZ

GAZ NATUREL

Pression d'alimentation en gaz	5 po (12,5 mb) CE (colonne d'eau)
Pression min de la conduite	7 po (17,5 mb) CE
Pression max jusqu'au régulateur	14 po (34,9 mb) CE, 0,5 lb/po ² (3,5 kPa)

GAZ PL

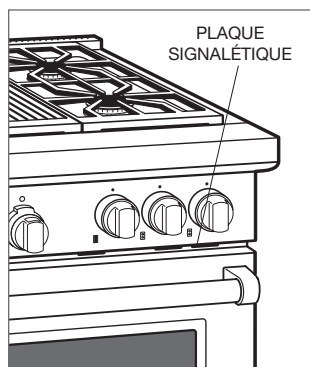
Pression d'alimentation en gaz	10 po (25 mb) CE (colonne d'eau)
Pression min de la conduite	11 po (27,4 mb) CE
Pression max jusqu'au régulateur	14 po (34,9 mb) CE, 0,5 lb/po ² (3,5 kPa)

La cuisinière doit être reliée à une alimentation en gaz régulée. La conduite d'alimentation doit être munie d'un robinet d'arrêt de gaz externe approuvé situé près de la cuisinière à un endroit accessible. Ne bloquez pas l'accès au robinet d'arrêt. Reportez-vous à l'illustration ci-dessous.

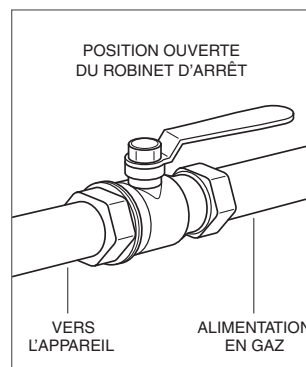
Une alimentation en gaz de $\frac{3}{4}$ po (19) de diamètre intérieur doit être fournie jusqu'à la cuisinière. Si les codes locaux le permettent, un connecteur d'appareil en métal flexible certifié de 3 pi (0,9 m) de longueur et de $\frac{1}{2}$ po (13) ou $\frac{3}{4}$ po (19) de diamètre intérieur est recommandé pour relier l'entrée femelle de $\frac{1}{2}$ po NPT de l'unité à la conduite d'alimentation en gaz. Utilisez de la pâte pour joints pouvant être utilisée avec du gaz naturel ou de pétrole liquéfié.

Cet appareil et son robinet d'arrêt doivent être débranchés du système de conduite d'alimentation en gaz durant tout essai de pression de ce système à des pressions d'essai supérieures à 0,5 lb/po² (3,5 kPa). Cet appareil doit être isolé du système de conduite d'alimentation en gaz en fermant son robinet d'arrêt manuel individuel durant tout essai de pression du système à des pressions d'essai équivalentes ou inférieures à 0,5 lb/po² (3,5 kPa).

Les cuisinières au gaz naturel de Wolf fonctionneront jusqu'à une altitude de 10 250 pi (3 124 m) sans ajustement et les cuisinières au gaz PL fonctionneront jusqu'à 8 600 pi (2 621 m) d'altitude. Si l'installation dépasse ces altitudes, communiquez avec votre dépositaire Wolf pour obtenir une trousse de conversion pour altitude plus élevée.



Emplacement de la plaque signalétique

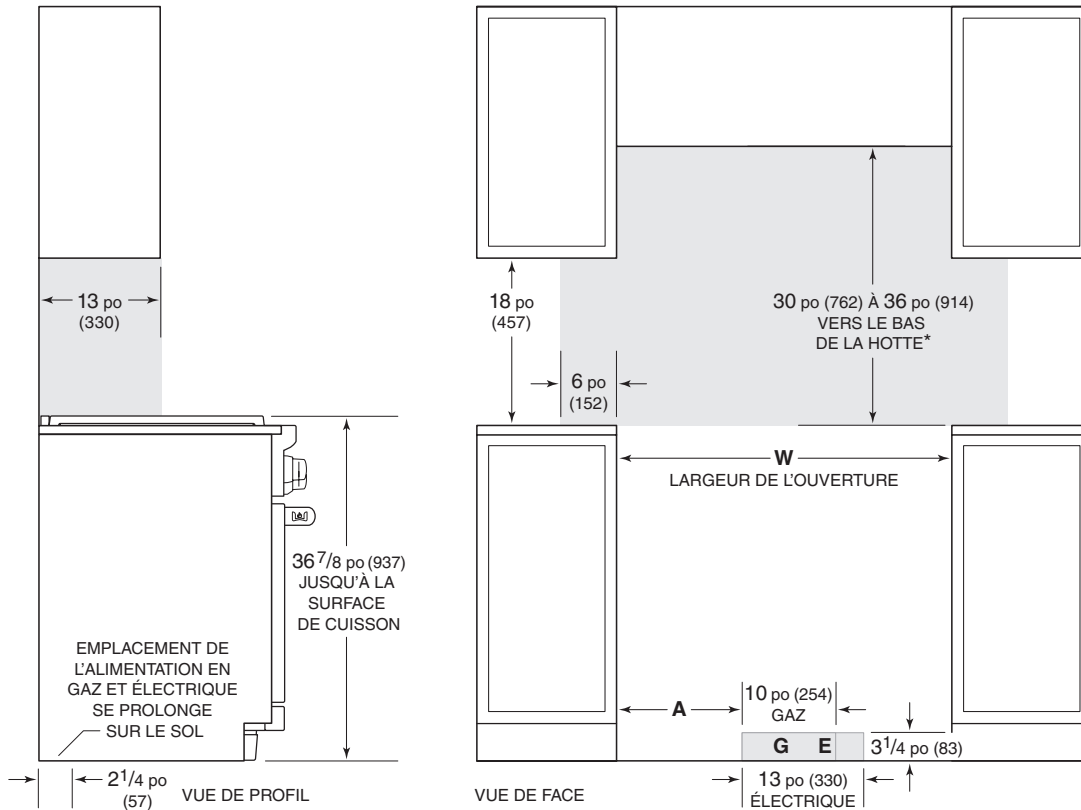


Robinet d'arrêt du gaz

SPÉCIFICATIONS

Cuisinière mixte

INSTALLATION



*Sans hotte, le dégagement minimum de 36 po (914) du comptoir aux matériaux combustibles, 44 po (118) pour le grilloir.

REMARQUE : la zone ombragée au-dessus du comptoir indique un dégagement minimum jusqu'aux surfaces combustibles; des matériaux combustibles ne peuvent pas se trouver dans cette zone.

Pour l'installation dans un îlot, dégagement minimal de 12 po (305) à l'arrière de la cuisinière jusqu'au mur arrière combustible au-dessus du comptoir.

CUISINIÈRE MIXTE	W	A
Cuisinière 30 po	30 po (762)	8 ¹ / ₂ po (216)
Cuisinière 36 po	36 po (914)	13 ¹ / ₂ po (343)
Cuisinière 48 po	48 po (1 219)	24 po (610)
Cuisinière 60 po	60 ¹ / ₄ po (1 530)	31 po (787)

Préparation

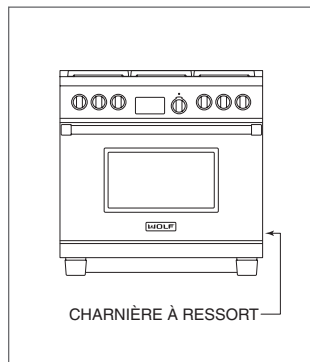
Avant de déplacer la cuisinière, protégez tout plancher fini et fixez la (les) porte(s) du four en position fermée pour éviter tout dommage.

Pour alléger la charge ou pour passer à travers une entrée de porte, la (les) porte(s) du four peut (peuvent) être enlevée(s). Procédez au retrait seulement si cela est nécessaire. Ne retirez pas la plaque à frire ou tout autre composant. Le retrait de la porte doit être effectué par un technicien de service ou un installateur qualifiés.

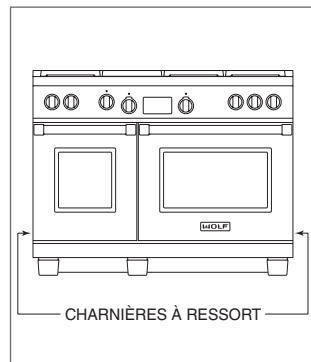
Pour le retrait, un axe de charnière sera inséré dans la charnière appropriée montrée dans l'illustration ci-dessous. L'axe (les axes) se trouve(nt) à l'intérieur de la porte du four. Pour les cuisinières à un four, l'axe de charnière doit être insérée dans la charnière de droite. Pour les cuisinières à deux fours, les axes doivent être placés dans les deux charnières extérieures.

▲ MISE EN GARDE

Le fait de ne pas insérer l'axe dans le bras de charnière approprié causera des dommages à la cuisinière.



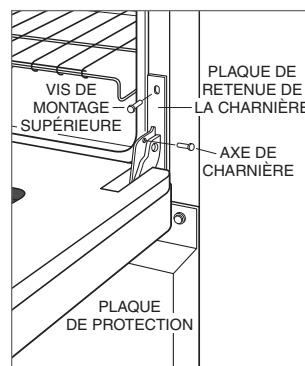
Cuisinières à un four



Cuisinières à deux fours

RETRAIT DE LA PORTE DU FOUR

- 1 Insérez l'axe de charnière dans la charnière appropriée.
- 2 Retirez l'assemblage de la plaque de protection inférieure pour accéder aux vis de montage du dispositif de retenue de la charnière inférieure.
- 3 Ouvrez la porte du four complètement et retirez les vis de montage du dispositif de retenue de la charnière supérieure et inférieure. Le joint du four peut avoir besoin d'être déplacé légèrement pour accéder aux vis inférieures.
- 4 Déplacez la plaque de retenue de la charnière légèrement vers l'avant. La plaque de retenue de la charnière demeurera sur la charnière de porte lorsque les vis de montage sont retirées.
- 5 Fermez soigneusement la porte du four jusqu'à environ 60°, puis soulevez la porte vers le haut et l'extérieur. Un léger mouvement de va-et-vient peut être requis pour le retrait.



Retrait de la porte du four

Mise en place

Ne soulevez pas et ne transportez pas la porte du four par la poignée. La cuisinière possède des roulettes arrière qui facilitent le mouvement en soulevant le devant de l'unité.

Utilisez un chariot à appareil pour déplacer l'unité près de l'ouverture. Retirez et recyclez les matériaux d'emballage. Ne jetez pas le support antibasculement fourni avec la cuisinière.

Si une montée a été précisée, reportez-vous aux directives d'installation comprises avec la montée. Le montage doit être installé avant que la cuisinière soit installée.

Nivellement

Soulevez l'unité jusqu'à la hauteur désirée en réglant les pieds avant et les roulettes arrière. Utilisez une douille de $\frac{3}{4}$ po pour régler les roulettes arrière. Les pieds avant peuvent être réglés en tournant le pied hexagonal dans le sens horaire pour relever et dans le sens antihoraire pour abaisser.

Support antibasculement

Pour empêcher l'unité de basculer vers l'avant et obtenir une installation stable, elle doit être fixée en place au moyen le support antibasculement. Pour s'assurer que le boulon antibasculement enclenche le support, reportez-vous au tableau et à l'illustration ci-dessous pour déterminer l'emplacement approprié.

SUPPORT ANTIBASCULEMENT A

Cuisinière 30 po	$\frac{3}{16}$ po (5)
Cuisinière 36 po	$\frac{9}{16}$ po (14)
Cuisinière 48 po	$\frac{3}{16}$ po (5)
Cuisinière 60 po	$\frac{5}{16}$ po (8)

INSTALLATION DU SUPPORT

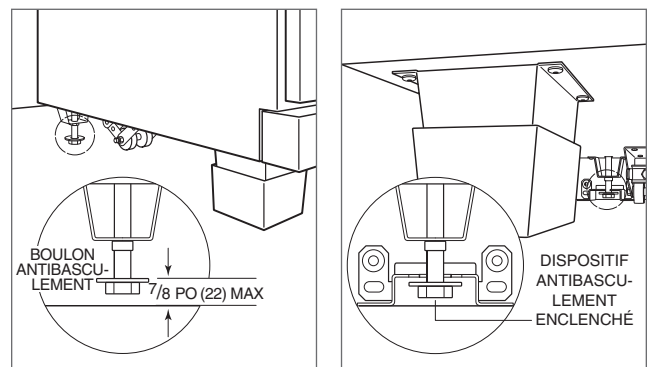
Application sur cloison sèche: Après avoir correctement placé le support antibasculement, marquez les trous, puis utilisez un tournevis cruciforme ou une perceuse électrique à faible vitesse pour enfoncer le dispositif d'ancrage au mur dans la surface du panneau mural jusqu'à ce qu'il soit à égalité. Pré-percez des trous au besoin. Pour les panneaux muraux durs ou la construction à panneau double, utilisez une mèche de $\frac{1}{4}$ po. Pour le plâtre plein, utilisez une mèche de $\frac{7}{16}$ po. Reportez-vous à l'illustration ci-dessous. Utilisez des vis n° 8 et des rondelles plates pour fixer le support au mur.

Application sur un plancher en bois: Après avoir correctement placé le support antibasculement, percez des avant-trous de $\frac{3}{16}$ po (5) dans le plancher. Utilisez des vis n° 12 et des rondelles plates pour fixer le support au plancher.

Application sur un plancher en béton: Après avoir correctement placé le support antibasculement, percez des trous de $\frac{3}{8}$ po (10) dans le béton d'une profondeur d'au moins $\frac{1}{2}$ po (38). Utilisez des cales d'ancrage de $\frac{3}{8}$ po pour fixer le support au plancher.

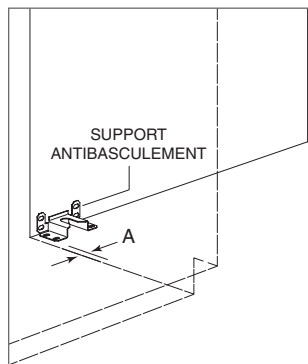
RÉGLAGE DU BOULON ANTIBASCULEMENT

Une fois le support fixé, réglez le boulon antibasculement de manière à ce que la partie supérieure de la rondelle soit à une distance maximale de $\frac{7}{8}$ po (22) du sol. Glissez la cuisinière dans l'ouverture et vérifiez que le boulon antibasculement soit enclenché. Reportez-vous aux illustrations ci-dessous.

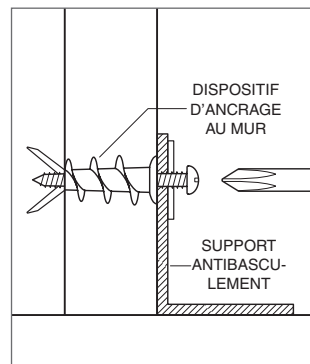


Réglage du boulon antibasculement

Boulon antibasculement enclenché



Emplacement du support antibasculement



Installation du dispositif d'ancrage au mur

Connexion électrique

Le bloc de branchement situé à l'arrière de la cuisinière permet une installation à trois ou quatre fils. Pour une installation à quatre fils, la tresse de masse allant de l'unité au bloc de branchement doit être coupée. Deux alvéoles défonçables concentriques sont fournies pour permettre le câblage permanent ou amovible de l'unité.

SYSTÈME ÉLECTRIQUE À TROIS FILS

- 1 Lorsque les codes locaux le permettent, reliez le fil de mise à la terre de l'appareil au fil d'alimentation neutre (blanc).
- 2 Reliez le fil de mise à la terre et le fil d'appareil blanc au fil d'alimentation neutre (blanc) dans le coffret électrique.
- 3 Reliez le fil d'appareil noir au fil d'alimentation noir (L1) dans le coffret électrique.
- 4 Reliez le fil d'appareil rouge au fil d'alimentation rouge (L2) dans le coffret électrique.

SYSTÈME ÉLECTRIQUE À QUATRE FILS

- 1 Séparez les fils de mise à la terre et blanc de l'appareil.
- 2 Reliez le fil d'appareil blanc au fil d'alimentation neutre (blanc) dans le coffret électrique.
- 3 Reliez le fil d'appareil noir au fil d'alimentation noir (L1) dans le coffret électrique.
- 4 Reliez le fil d'appareil rouge au fil d'alimentation rouge (L2) dans le coffret électrique.
- 5 Reliez le fil d'appareil de mise à la terre au fil de mise à la terre/vert de la résidence dans le coffret électrique.

Connexion de l'alimentation en gaz

Toutes les connexions vers le tuyau de gaz doivent être serrées au moyen d'une clé. Ne serrez pas trop et ne laissez pas les tuyaux tourner lors du serrage.

Si un connecteur en métal flexible est utilisé, assurez-vous qu'il n'est pas tordu lorsque la conduite d'alimentation en gaz est reliée au régulateur sur la cuisinière. Ouvrez le robinet et vérifiez qu'il n'y ait pas de fuites en plaçant une solution de détergent liquide sur toutes les connexions de gaz. Si des bulles apparaissent autour d'une connexion, cela indique la présence d'une fuite de gaz. En cas de fuite, fermez le robinet d'arrêt et ajustez les connexions.

Dépannage

REMARQUE IMPORTANTE : si la cuisinière ne fonctionne pas correctement, suivez les étapes de dépannage suivantes :

- Vérifiez que la cuisinière est alimentée en électricité.
- Assurez-vous que le robinet d'arrêt d'alimentation de gaz se trouve en position ouverte.
- Si la cuisinière ne fonctionne pas correctement, communiquez avec le centre service Wolf certifié par l'usine. Ne tentez pas de réparer la cuisinière. Wolf n'est pas responsable du service requis pour corriger une installation défectueuse.



WOLF APPLIANCE, INC. P.O. BOX 44848 MADISON, WI 53744 WOLFAPPLIANCE.COM 800.222.7820

822583 REV-D

10/2018

