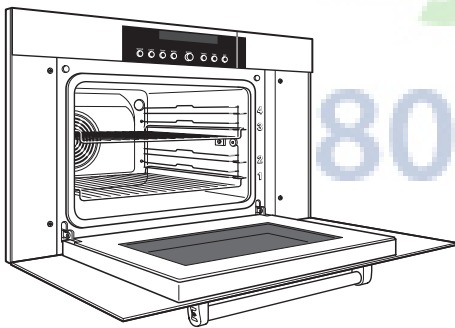


FEATURES

- Pro handle to match Wolf M series ovens and professional products.
- Standard or flush inset installation.
- Crafted of heavy-duty stainless steel.
- Combines convection and steam heat to achieve superior results.
- Convection with twelve cooking modes—steam, reheat, auto steam bake, convection, convection humid, convection steam, Gourmet, slow roast, recipes, my recipes, keep warm and cleanse.
- Gourmet and recipes modes for quick, convenient meal preparation.
- Operating time, delayed start and descaling features.
- Four-level rack guides with two adjustable oven racks.
- Large viewing window and halogen interior lighting.
- Temperature probe, perforated and solid stainless steel pans.



Model CSO30PM/S/PH

MODEL
Professional CSO30PM/S/PH

ACCESSORIES

- Perforated stainless steel pans:
12³/₄" x 1¹/₂" x 7"
12³/₄" x 2¹/₂" x 7"
17³/₄" x 1¹/₄" x 15"
- Solid stainless steel pans:
12³/₄" x 1¹/₂" x 7"
12³/₄" x 1¹/₄" x 14"
17³/₄" x 1¹/₄" x 15"
- Porcelain baking sheet.
- Full-extension and standard oven racks.
- Descaling solution.

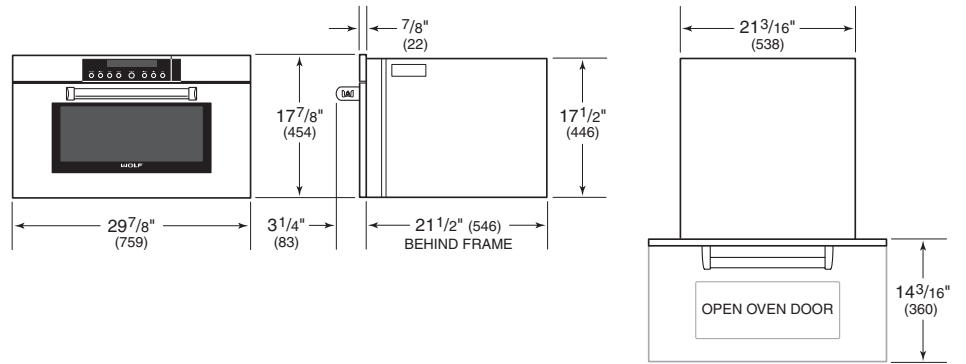


Interior (CSO24TE/S/TH shown).

Accessories available through an authorized Wolf dealer. For local dealer information, visit the find a showroom section of our website, wolfappliance.com.

SPECIFICATIONS	
PRODUCT	
Dimensions	29 ⁷ / ₈ "W x 17 ⁷ / ₈ "H x 21 ¹ / ₂ "D
Weight	80 lb
OVEN INTERIOR	
Capacity	1.8 cu ft
Interior	17 ⁷ / ₈ "W x 11"H x 15 ³ / ₄ "D
ELECTRICAL	
Supply Service	240/208 VAC, 60 Hz 20 amp circuit
POWER RATING	
Maximum	3800 W

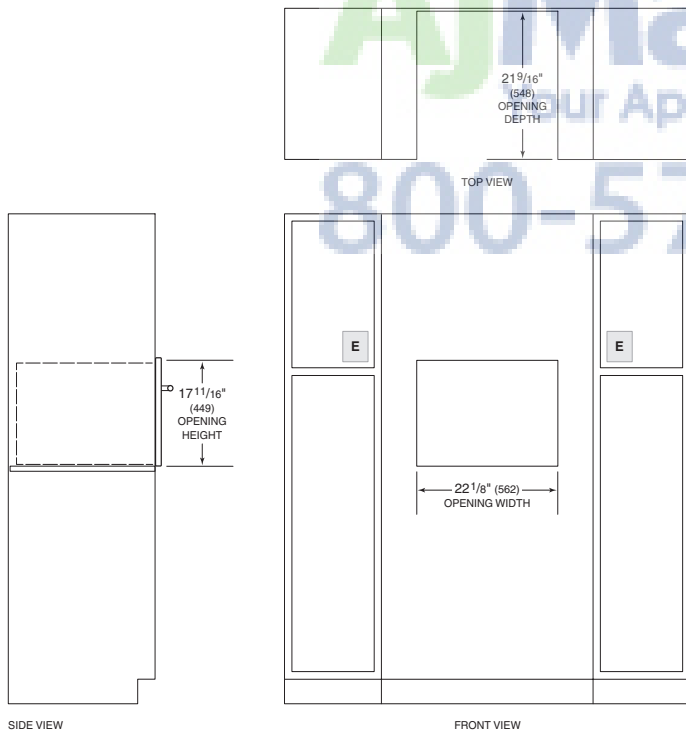
DIMENSIONS



Specifications are subject to change without notice. Visit wolfappliance.com/specs for the most up-to-date information.

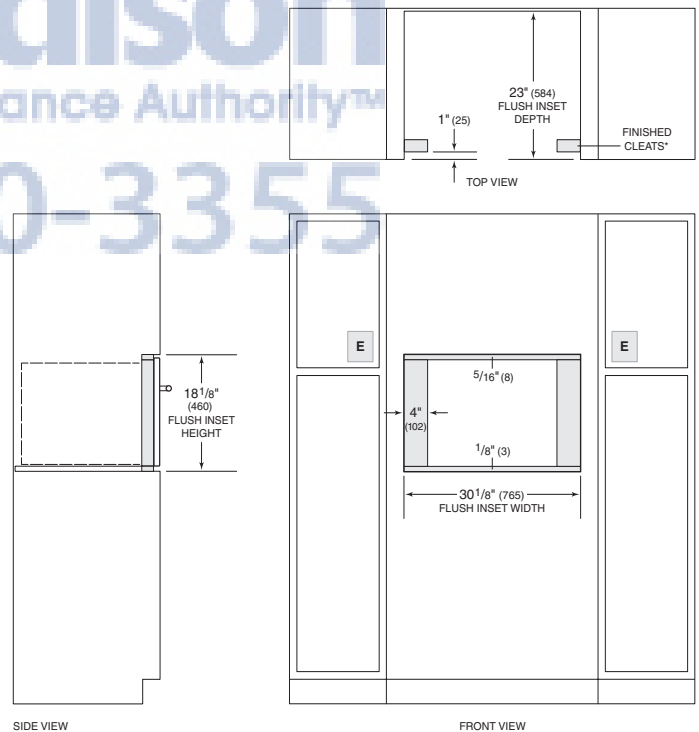
Dimensions may vary $\pm 1/8$ " (3). Dimensions in parentheses are millimeters unless otherwise specified.

STANDARD INSTALLATION



NOTE: 24" (610) and 30" (762) models require the same opening dimensions.
Electrical supply must be located in adjacent cabinet within 3' (.9 m) of opening.
Dashed line represents profile of unit.

FLUSH INSET INSTALLATION



*Will be visible and should be finished to match cabinetry.
NOTE: Electrical supply must be located in adjacent cabinet within 3' (.9 m) of opening.
Dashed line represents profile of unit.