

**C1304T/S**

**FEATURES**

Four elements and bridging option to accommodate different pan sizes

40% faster temperature response than gas or electric

Magnetic induction technology provides fast and perfectly distributed heat

Incredible cooking control, with lightning fast high heat and very low lows

Cookware sensing guards against hot burners being left on

Rigorously tested in our U.S. manufacturing facilities for decades of use

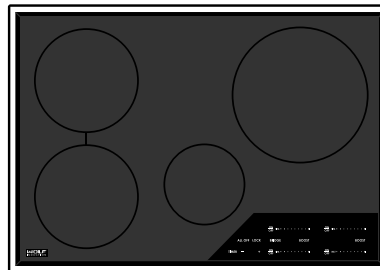
Exceptional 24/7 support from our Customer Care team in Madison

Cookware heats up fast, yet cooktop stays relatively cool for safety

Efficiently transfers heat, because energy is supplied directly to the cookware



**TOP CONFIGURATION**



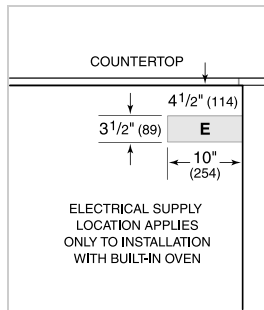
**COOKTOP SPECIFICATIONS**

- 1 - 1400 W Element
- 1 - 2100 W Element
- 1 - 2100 W Element with 3000 W Boost
- 1 - 2600 W Element with 3150 W Boost

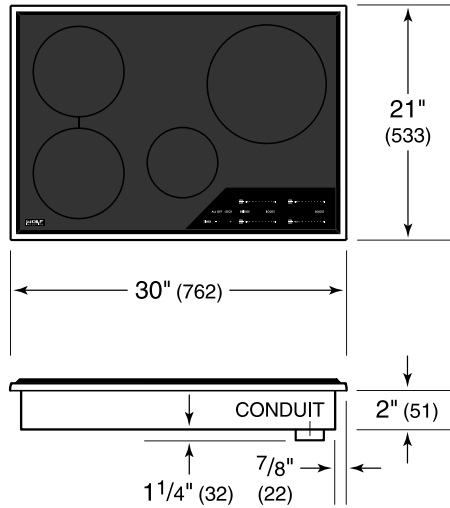
**PRODUCT SPECIFICATIONS**

Model	CI304T/S
Dimensions	30"W x 2"H x 21"D
Weight	49 lb
Electrical Supply	3-wire, 240/208 VAC, 60 Hz
Electrical Service	40 amp dedicated circuit
Conduit Length	4 feet

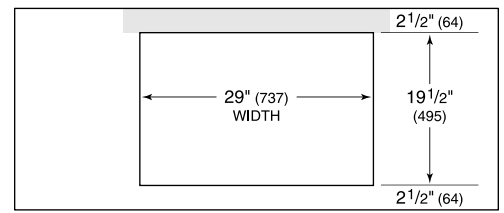
**ELECTRICAL**



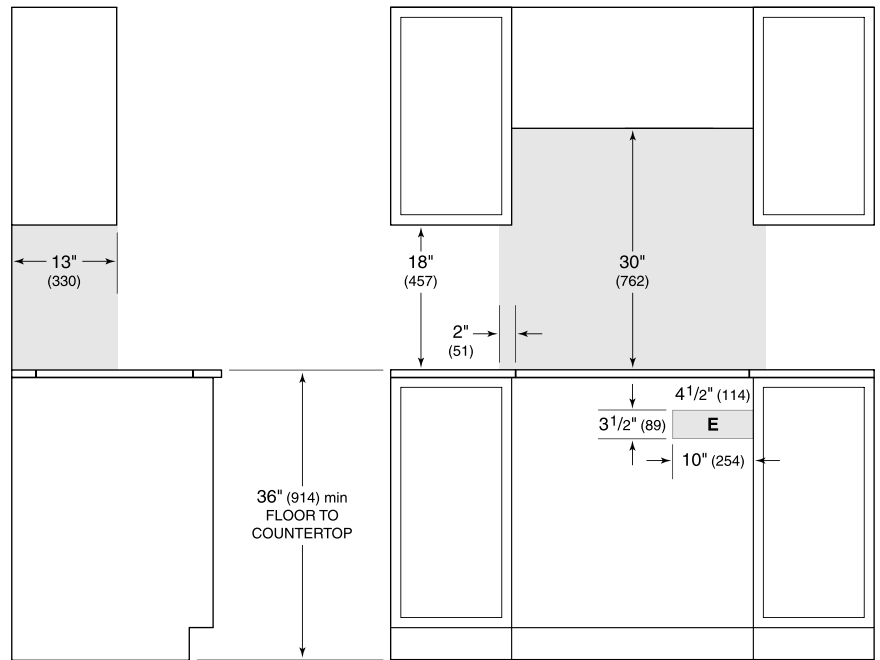
**DIMENSIONS**



**STANDARD INSTALLATION**



COUNTERTOP CUT-OUT



SIDE VIEW

FRONT VIEW

*NOTE: Shaded area above countertop indicates minimum clearance to combustible surfaces, combustible materials cannot be located within this area. Electrical supply location only applies to installations with built-in oven.*