

WOLF WARMING RACK INSTALLATION INSTRUCTIONS

Wolf Warming Rack Kit Contents:

QTY	DESCRIPTION
1	Warming Rack Mounting Plate
1	Lower Backsplash Plate
8	#10 Hex Head 2" long screws
10	#6x1" Countersunk Phillips Head Screws
2	Warming Racks

FOR MODEL NUMBERS:

30BAK-SPLH (810432)	30" X 38" BACKSPLASH
36BAK-SPLH (810433)	36" X 38" BACKSPLASH
42BAK-SPLH (810434)	42" X 38" BACKSPLASH
48BAK-SPLH (810435)	48" X 38" BACKSPLASH
54BAK-SPLH (810436)	54" X 38" BACKSPLASH
60BAK-SPLH (810437)	60" X 38" BACKSPLASH
66BAK-SPLH (810438)	66" X 38" BACKSPLASH

NOTE: The total height of backsplash with warming racks is 38". Your Wolf backsplash is designed to be installed under your Wolf Hood and extend behind your Wolf Cooking appliance. Install backsplash prior to hood installation as this will allow proper alignment and clearance for the hood.

Installing Warming Rack Panel

1. Place vent hood in the installed position and make a mark on wall 1/8" to 1/4" below bottom of each side of the vent hood. This will be used to align top of Lower Backsplash Plate and leave a

clearance gap between vent hood and warming rack assembly. Now find framing studs and make a 12" long vertical mark on wall starting from marks previously made and running towards floor. This will help you place the screws in the wall once you have the Lower Backsplash Plate on the wall. Remove vent hood from wall to finish installation of warming rack assembly. Also it may be easier to install warming rack assembly if the Wolf Cooking appliance is pulled away from wall as Lower Backsplash Plate will extend down behind Wolf Cooking appliance.

2. Align top edge of Lower Backsplash Plate with two reference marks from the previous step. Use the eight #10 x 2" long hex head screws to mount the Lower Backsplash Plate to wall. Using the large slots, ensure that the mounting screws engage the wall studs to provide proper support for warming rack assembly. Also make sure that the Lower Backsplash Plate is level.
3. Mount Warming Rack Mounting Plate onto Lower Backsplash Plate by placing top flange of Lower Backsplash Plate underneath top flange on Warming Rack Mounting Plate. The side flanges and bottom ear flanges on Lower Backsplash Plate should also slip to the inside of Warming Rack Mounting Plate. Using ten #6 x 1" long flat head phillips screws, securely fasten Warming Rack Mounting Plate to Lower Backsplash Plate using countersunk holes on top, bottom, and side flanges of Warming Rack Mounting Plate.
4. Assemble Warming Racks onto bottom two mounting clips attached to Warming Rack Mounting Plate. Note the orientation of Warming Racks in figure 1.

The top clip is used to hold warming rack up when not in use.

5. Re-install wall hood and move Wolf Cooking appliance back into position if necessary.

IMPORTANT NOTE: There are no mounting holes along the bottom edge of the backsplash extension. The cooking appliance should cover a portion of the back-splash and keep it flush with the wall. If additional support is needed, a heat resistant contact adhesive may be used. Consult your local hardware store for details on heat resistant back-splash adhesives.

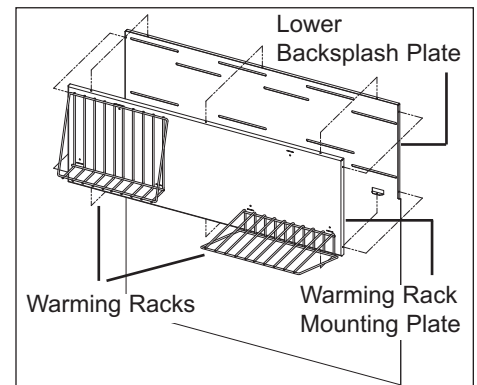


Figure 1

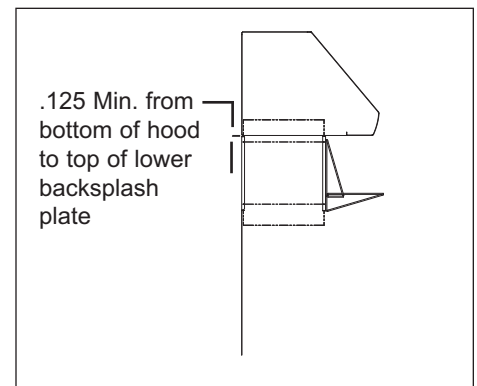


Figure 2 Side View

CAUTION

Protective gloves should be worn when handling backsplash as corners and edges are sharp.