



## 7.4 cu. ft. Electric Dryer with Quick Dry Cycle

YWED75HEFW

### Available Finishes/Colours

Dimensions	
Depth	31
Height	39
Width	27

Save time and energy while still getting excellent drying performance with our 7.4 cu. ft. electric dryer. Tap Touch controls with Memory remember your last cycle and settings to make it easy to start your next load in the dryer quickly. You'll also save money and use less energy\* with the EcoBoost™ option while Advanced Moisture Sensing adapts drying times to end the cycle right when everything is dry, to prevent overdrying. This dryer also helps keep wrinkles from setting in with intermittent tumbling when using the Wrinkle Shield™ option. Plus, quad baffles deliver more balanced tumbling and increased effectiveness on smaller loads so larger items dry more evenly and smaller items keep tumbling without getting stuck on the baffles.

### Top Features

#### Manuals & Literature:

 [Dimension Guide](#)  [Installation Guide](#)

 [Owner Manual](#)  [Warranty Information](#)



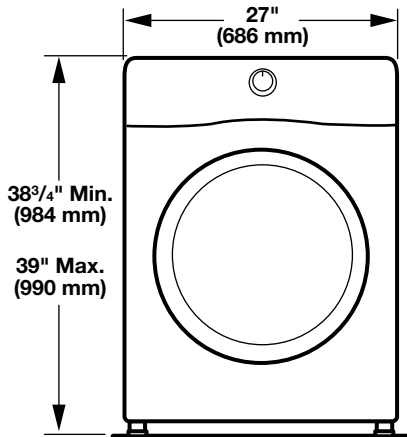
# Electric Dryer

## PRODUCT MODEL NUMBERS

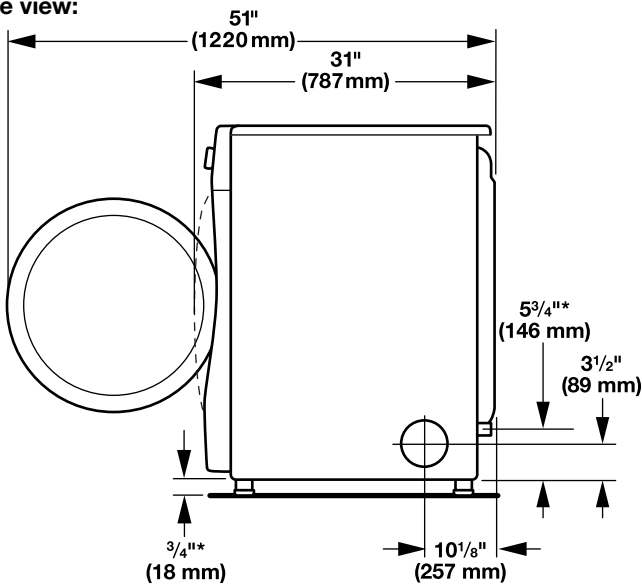
WED7505F, WED75HEF, WED7740F, WED77HEF, WED8540F, WED85HEF, WED90HEF, WED92HEF

### Dryer Dimensions

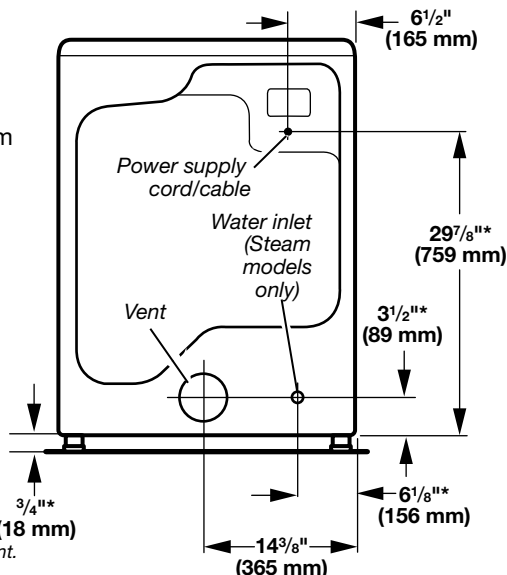
Front view:



Side view:



Back view:



**NOTE:** Most installations require a minimum of 5" (127 mm) clearance behind dryer for exhaust vent with elbow. See "Venting Requirements."

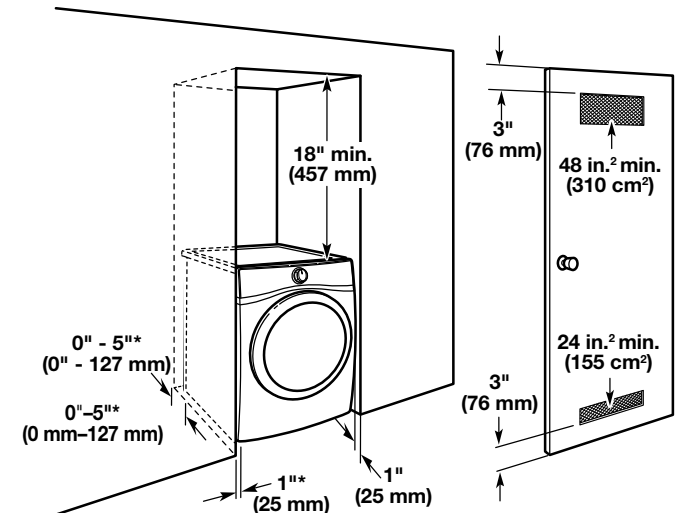
\*Approx. measurement.

### Installation spacing for recessed area or closet installation

All dimensions show recommended and minimum spacing allowed.

- Additional spacing should be considered for ease of installation and servicing.
- Additional clearances might be required for wall, door, floor moldings, and dryer venting.
- Additional spacing should be considered on all sides of the dryer to reduce noise transfer.
- For closet installation with a door, minimum ventilation openings in the top and bottom of the door are required. Louvered doors with equivalent ventilation openings are acceptable.
- Companion appliance spacing should also be considered.

### Recommended installation clearances (dryer only):



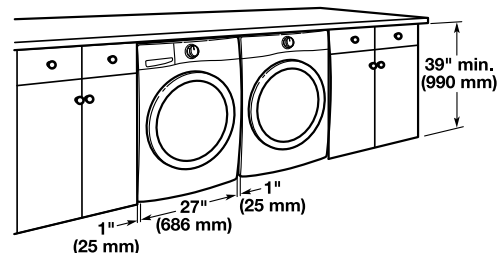
\*0" (0 mm) spacing is allowed for straight-back venting only. For steam models only, inlet hose must not be kinked.

### Minimum installation clearances (dryer only):

	Front	Sides	Rear	Top
<b>Recessed</b>	NA	0" (0 mm)	0" (0 mm)**	0" (0 mm)
<b>Closet</b>	NA	0" (0 mm)	0" (0 mm)**	0" (0 mm)
<b>Under Counter</b>	NA	1" (25 mm)	0" (0 mm)**	0" (0 mm)

\*\*0" (0 mm) spacing is allowed for straight-back venting only.

### Custom under counter installation:



## ELECTRICAL REQUIREMENTS

To supply the required 3- or 4-wire, single phase, 120/240 volt, 60 Hz, AC only electrical supply (or 3- or 4-wire, 120/208 volt electrical supply, if specified on the serial/rating plate) on a separate 30-amp circuit, fused on both sides of the line. Connect to an individual branch circuit. Do not have a fuse in the neutral or grounding circuit. Do not use an extension cord.

## VENTING REQUIREMENTS

**Exhaust venting:** Exhaust your dryer to the outside. 4" (102 mm) diameter vent is required. Rigid or flexible metal exhaust vent must be used. Do not use plastic or metal foil vent. Exhaust hood must be at least 12" (305 mm) from the ground or any object that may be in the path of the exhaust.

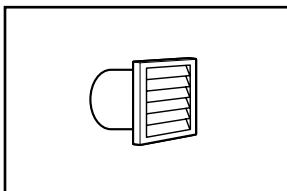
**WARNING:** To reduce the risk of fire, this dryer MUST BE EXHAUSTED OUTDOORS.

**IMPORTANT:** Observe all governing codes and ordinances. Dryer exhaust must not be connected into any gas vent, chimney, wall, ceiling, attic, crawlspace, or a concealed space of a building. Only rigid or flexible metal vent shall be used for exhausting.

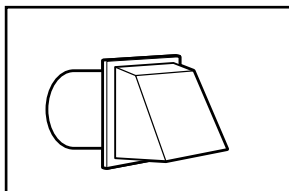
- Only a 4" (102 mm) heavy metal exhaust vent and clamps may be used.
- Do not use plastic or metal foil vent.

### Exhaust hoods:

#### Recommended Styles:

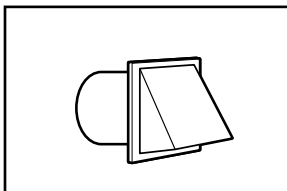


Louvered Hood



Box Hood

#### Acceptable Style:



Angled Hood

### Determine vent path:

- Select route that will provide straightest and most direct path outdoors.
- Plan installation to use fewest number of elbows and turns.
- When using elbows or making turns, allow as much room as possible.
- Bend vent gradually to avoid kinking.
- Use as few 90° turns as possible.

### Determine vent length and elbows needed for best drying performance:

- Use the following "Vent System Charts" to determine type of vent material and hood combinations acceptable to use.

**NOTE:** Do not use vent runs longer than those specified in "Vent System Charts."

Exhaust systems longer than those specified will:

- Shorten life of dryer.
- Reduce performance, resulting in longer drying times and increased energy usage.

Because Whirlpool Corporation policy includes a continuous commitment to improve our products, we reserve the right to change materials and specifications without notice.

The "Vent System Charts" provide venting requirements that will help achieve best drying performance.

### Standard Vent System Chart

Number of 90° elbows	Type of vent	Angled hoods
0	Rigid metal	64 ft. (20 m)
1	Rigid metal	54 ft. (16.5 m)
2	Rigid metal	44 ft. (13.4 m)
3	Rigid metal	35 ft. (10.7 m)
4	Rigid metal	27 ft. (8.2 m)

### Long Vent System Chart

Number of 90° elbows	Type of vent	Angled hoods
0	Rigid metal	160 ft. (48.8 m)
1	Rigid metal	150 ft. (45.7 m)
2	Rigid metal	140 ft. (42.7 m)
3	Rigid metal	130 ft. (39.6 m)
4	Rigid metal	120 ft. (36.6 m)

To determine if your model has a long vent system, refer to the type code located on the serial number plate in the inner door well. Example: An electric model would be **DALV** (Long Vent) – ELE – XXXXXXX-XXX.

**NOTE:** For long vent systems, use of box/louvered hoods will improve venting, regardless of length.

The dryer must be connected to the cold water faucet using new inlet hoses (not supplied). Do not use old hoses.

Dimensions are for planning purposes only. For complete details, see Installation Instructions packed with product. Specifications subject to change without notice.