



Whirlpool® 7.0 cu. ft. Electric Dryer with Heavy Duty Cycle

YWED4815EW

Available Finishes/Colours

Dimensions	
Depth	28 1/4
Height	43
Width	29

Appearance	
Door Style	Side Swing
Window	No
Reversible Door	Yes

Controls	
Automatic Temperature Controls	Yes
Feedback-Status Indicators	End of Cycle Signal
Control Type	Dials
End of Cycle Signal	Yes
Electronic Display Type	No
Control Location	Rear Panel

Exterior	
Door Style	Side Swing
Door Opening	Right
Window	No
Reversible Door	Yes

Put a simple spin on laundry day even when the loads are heavy with this 7.0 cu. ft. capacity dryer. With the AutoDry™ drying system and plenty of room to easily handle large loads and bulky items, this high capacity dryer helps to keep your style solid. The Heavy Duty cycle manages those bulky items like towels and comforters with a high temperature to help ensure overall dryness. And, for those days when clothes in the dryer are an afterthought, the Wrinkle Shield™ option intermittently tumbles for up to 90 minutes after the cycle ends to help keep wrinkles from setting into your clothes while they're in your top load dryer.

Configuration and Overview	
Fuel Type	Electric
Flat Back	No

Misc.	
Accessory Relationships	Yes
Home Delivery	Yes
Will Call	Yes

Top Features
AutoDry™ Drying System
Wrinkle Shield™ Option
Timed Dry Cycle

GDS	
isBaseUnit	true
isConsumerUnit	true
IsDispatchUnit	.

Manuals & Literature:

- [Dimension Guide](#)
- [Installation Guide](#)
- [Owner Manual](#)



Gas and Electric Dryer PRODUCT MODEL NUMBERS

WED4950HW, WGD4950HW, WED4850HW,
WGD4850HW, YWED4850HW

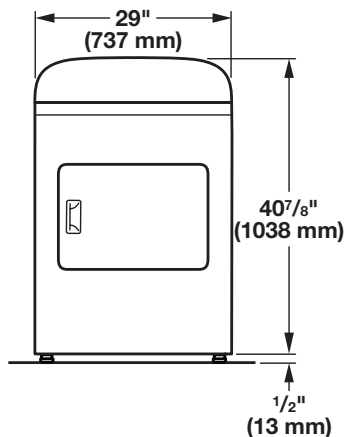
Installation clearances:

For each arrangement, consider allowing more space for ease of installation and servicing, spacing for companion appliances, and clearances for walls, doors, and floor moldings. Space must be large enough to allow door to fully open. Add spacing on all sides of dryer to reduce noise transfer. If a closet door or louvered door is installed, top and bottom air openings in door are required.

Check code requirements. Some codes limit, or do not permit, installation of the dryer in garages, closets, mobile homes, or sleeping quarters. Contact your local building inspector.

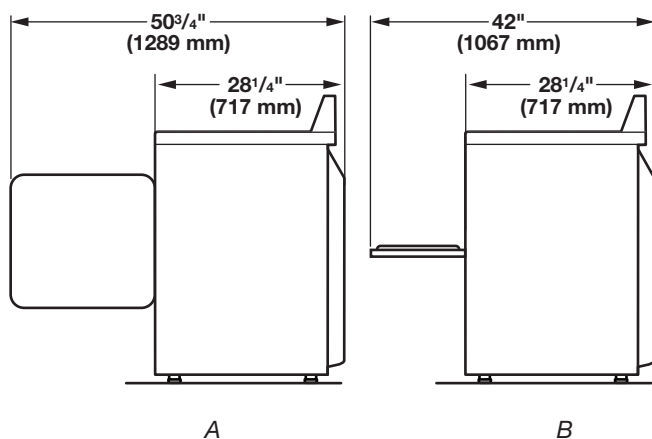
Dryer Dimensions

Front View



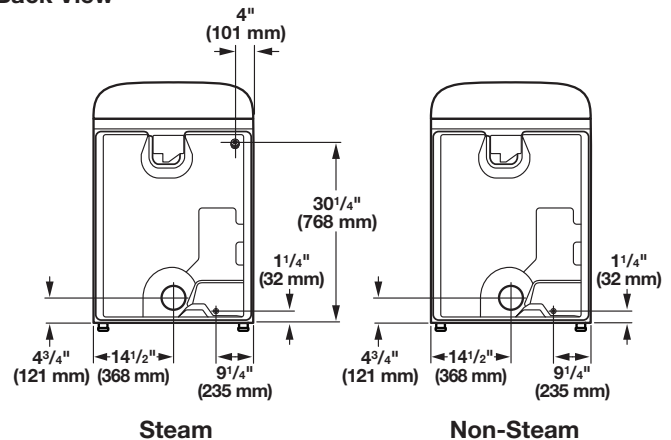
NOTE: Minimum height of leveling legs should be 1/2" (13 mm), or high enough for dryer to match the height of the accompanying washer.

Side View



A. Wide opening side-swing door
B. Wide opening hamper door

Back View

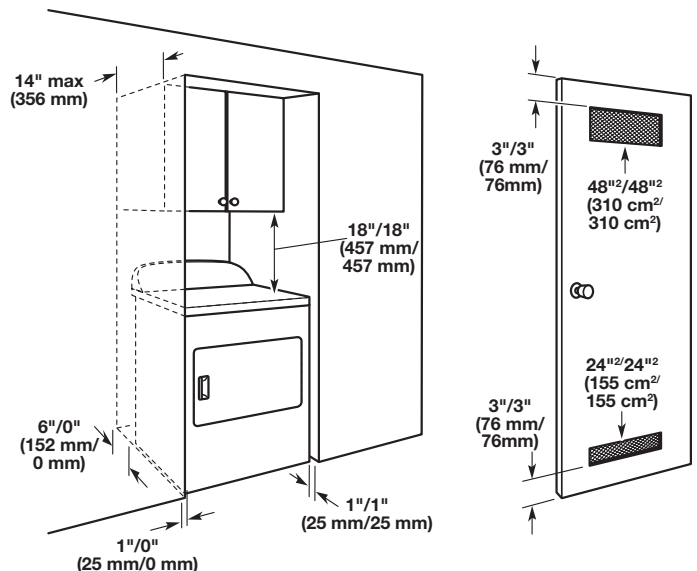


Installation spacing for recessed area or closet

The dimensions shown are for the minimum spacing allowed.

- Additional spacing should be considered for ease of installation and servicing.
- Additional clearances might be required for wall, door, and floor moldings.
- Additional spacing of 1" (25 mm) on all sides of the dryer is recommended to reduce noise transfer.
- For closet installation, with a door, minimum ventilation openings in the top and bottom of the door are required. Louvered doors with equivalent ventilation openings are acceptable.
- Companion appliance spacing should also be considered.

Installation Spacing



Recommended/Minimum spacing

INSTALLATION REQUIREMENTS

GAS SUPPLY REQUIREMENTS

Gas supply: This dryer is equipped for use with Natural gas. Dryer can be converted to L.P. gas. When rigid pipe is used it should be 1/2" IPS. 3/8" approved aluminum or copper tubing may be used for lengths under 20 ft (6.1 m) if local codes and gas supplier permit. Lengths over 20 ft (6.1 m) should use larger tubing and a different size adapter fitting. Pipe-joint compounds resistant to the action of L.P. gas must be used. An individual manual shut-off valve must be installed within 6 ft (1.8 m) of the dryer in accordance with the National Fuel Gas Code ANSI Z223.1.

ELECTRICAL REQUIREMENTS – Gas models only

Use a 3- or 4-wire, single-phase, 120/240 volt, 60 Hz, AC-only electrical supply (or 3- or 4-wire, 120/208 volt electrical supply, if specified on the serial/rating plate) on a separate 30 amp circuit, fused on both sides of the line. Connect to an individual branch circuit. Do not have a fuse in the neutral or grounding circuit. Do not use an extension cord.

ELECTRICAL REQUIREMENTS – Electric models only

Use a 3- or 4-wire, single-phase, 120/240 volt, 60 Hz, AC-only electrical supply (or 3- or 4-wire, 120/208 volt electrical supply, if specified on the serial/rating plate) on a separate 30 amp circuit, fused on both sides of the line. Connect to an individual branch circuit. Do not have a fuse in the neutral or grounding circuit. Do not use an extension cord.

WATER (STEAM MODELS ONLY) REQUIREMENTS

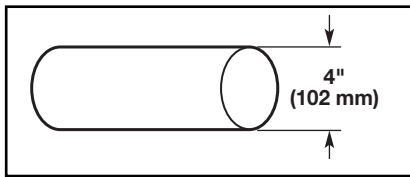
The dryer must be connected to the cold water faucet using new inlet hoses. Do not use old hoses. Do not overtighten. Damage to the coupling can result. A cold water faucet should be located within 4 ft. (1.2 m) of the water fill valves, and should have water pressure of 20–100 psi (137.9–689.6 kPa). You may use the water supply for your washer using the “Y” connector and short hose, which are provided.

VENTING REQUIREMENTS

WARNING: To reduce the risk of fire, this dryer **MUST BE EXHAUSTED OUTDOORS.**

IMPORTANT: Observe all governing codes and ordinances.

Dryer exhaust must not be connected into any gas vent, chimney, wall, ceiling, attic, crawlspace, or a concealed space of a building. Only rigid or flexible metal vent shall be used for exhausting.



4" (102 mm) heavy metal exhaust vent

- Only a 4" (102 mm) heavy metal exhaust vent and clamps may be used.
- Do not use plastic or metal foil vent.

Rigid metal vent:

- Recommended for best drying performance and to avoid crushing and kinking.

Flexible metal vent (Acceptable only if accessible to clean):

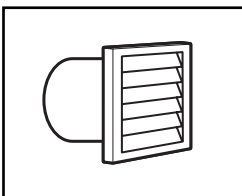
- Must be fully extended and supported in final dryer location.
- Remove excess to avoid sagging and kinking that may result in reduced airflow and poor performance.
- Do not install in enclosed walls, ceilings, or floors.
- The total length should not exceed 7³/₄ ft. (2.4 m).

NOTE: If using an existing vent system, clean lint from entire length of the system and make sure exhaust hood is not plugged with lint. Replace plastic or metal foil vents with rigid metal or flexible metal vents. Review “Vent System Chart” and, if necessary, modify existing vent system to achieve best drying performance.

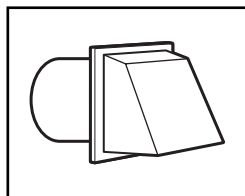
Exhaust hoods:

- Must be at least 12" (305 mm) from ground or any object that may obstruct exhaust (such as flowers, rocks, bushes, or snow).

Recommended Styles:

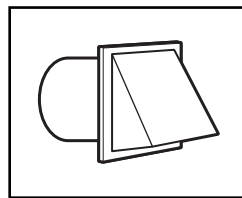


Louvered hood



Box hood

Acceptable Style:



Angled hood

Determine vent path:

- Select route that will provide straightest and most direct path outdoors.
- Plan installation to use fewest number of elbows and turns.
- When using elbows or making turns, allow as much room as possible.
- Bend vent gradually to avoid kinking.
- Use as few 90° turns as possible.

Determine vent length and elbows needed for best drying performance:

- Use following “Vent System Chart” to determine type of vent material and hood combinations acceptable to use.

NOTE: Do not use vent runs longer than those specified in “Vent System Chart.” Exhaust systems longer than those specified will:

- Shorten life of dryer.
- Reduce performance, resulting in longer drying times and increased energy usage.

The “Vent System Chart” provides venting requirements that will help achieve best drying performance.

Vent System Chart

Number of 90° turns or elbows	Type of vent	Box/louvered hoods	Angled hoods
0	Rigid metal	64 ft. (20 m)	58 ft. (17.7 m)
1	Rigid metal	54 ft. (16.5 m)	48 ft. (14.6 m)
2	Rigid metal	44 ft. (13.4 m)	38 ft. (11.6 m)
3	Rigid metal	35 ft. (10.7 m)	29 ft. (8.8 m)
4	Rigid metal	27 ft. (8.2 m)	21 ft. (6.4 m)