



Whirlpool® 31-inch Wide All Refrigerator with LED Lighting - 18 cu. ft.

WRR56X18FW

Available Finishes/Colours

WRR56X18FW
White

Dimensions

Depth	30
Height	66 3/4
Width	30 1/4

AHAM Volumes And Shelf Area

Refrigerator Volume (Cu Ft)	17.78
-----------------------------	-------

Configuration and Overview

Advance Foam Insulation	NA
Counter Depth	No
Number of Doors	1

Compatibility

Connectivity	No
Works With	No

Details

Advance Foam Insulation	NA
Counter Depth	No

Details

Door Style	Contour
------------	---------

Controls

Control Type	Electronic
Air Filter Indicator/Reset	No
Automatic Defrost	Yes
Verrouillage des commandes	No
Door Ajar/Open Alarm	No
LCD Touch Screen	No
Control Lockout	No
Control Location	Interior Up Front
Water Filter Indicator/Reset	No

You'll have plenty of room to store all your favorites inside this 18 cu. ft. ENERGY STAR® certified all refrigerator. Choose the ideal temperature for whatever foods you're storing with convenient electronic temperature controls and humidity-controlled crispers.

Top Features

ENERGY Star® Qualified

LED Interior Lighting

Electronic Temperature Controls

Manuals & Literature:

[Dimension Guide](#) [Energy Guide](#)

[Owner Manual](#) [Warranty Information](#)

PRODUCT MODEL NUMBERS

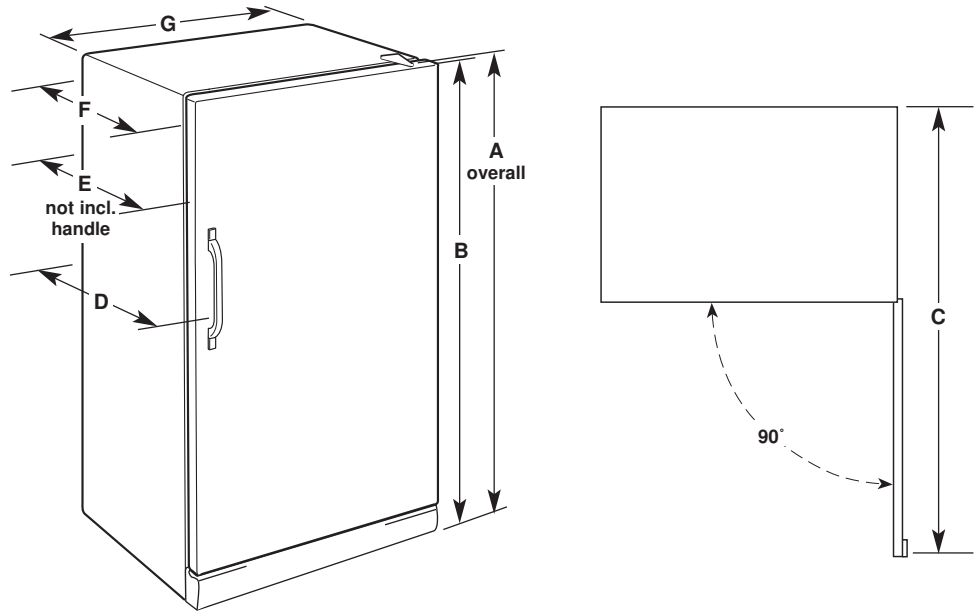
WRF57R18D WSR57R18D
WRR56X18F

Recommended grounding method

A 115 Volt, 60 Hz., AC only, 15- or 20-amp fused, grounded electrical supply is required. It is recommended that a separate circuit serving only your freezer be provided. Use an outlet that cannot be turned off by a switch. Do not use an extension cord.

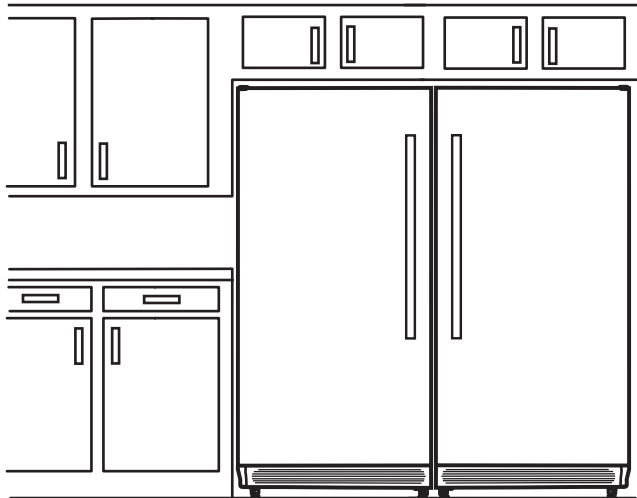
NOTE: Before performing any type of installation, cleaning, or removing a light bulb, turn the control (Thermostat, Refrigerator or Freezer Control depending on the model) to OFF and then disconnect the refrigerator from the electrical source. When you are finished, reconnect the refrigerator to the electrical source and reset the control (Thermostat, Refrigerator or Freezer Control depending on the model) to the desired setting. See "Using the Controls."

PRODUCT DIMENSIONS



Model Number	Model Size	Door Swing	Height - Overall "A"	Height - Top of Cabinet "B"	Depth - Door Open 90° "C"	Depth - With Handles "D"	Depth - Without Handles "E"	Depth - Cabinet Only "F"	Width - Cabinet "G"
WRF57R18D WRR56X18F	17.7 cu. ft.	Right	66 ³ / ₈ " (169.5 cm)	66 ¹ / ₈ " (168.3 cm)	55 ⁷ / ₈ " (141.9 cm)	30" (76.2 cm)	29 ¹ / ₈ " (74 cm)	24 ⁵ / ₈ " (62.5 cm)	30 ¹ / ₈ " (76.8 cm)
WSR57R18D	17.7 cu. ft.	Right	66 ³ / ₈ " (169.5 cm)	66 ¹ / ₈ " (168.3 cm)	55 ³ / ₈ " (141.6 cm)	31 ¹ / ₈ " (79.4 cm)	28 ⁷ / ₈ " (73.3 cm)	24 ⁵ / ₈ " (62.5 cm)	30 ¹ / ₈ " (76.8 cm)

LOCATION REQUIREMENTS



Ventilation and Clearance

- This freezer may be installed side by side with another refrigerator or freezer. Allow at least 1" (2.54 cm) between back of cabinet and the wall, and a 1/4" (6.4 mm) clearance between the appliances.
- If you are installing your refrigerator next to a fixed wall, leave extra space on the hinge side so the door can open wider.
- Keep flammable materials and vapors, such as gasoline, away from freezer.
- Do not cover the freezer with items such as blankets, sheets, tablecloths, etc. This reduces air circulation.

Temperature

Your freezer operates most efficiently when located in an area where the temperature will not fall below 40°F (5°C). Place your freezer in a location where the temperature will not fall below this recommended temperature.