



30-inch Wide French Door Refrigerator - 20 cu. ft.

WRF560SEHV

Available Finishes/Colours

 WRF560SEHZ
FingerPrint Resistant Stainless Steel

Dimensions

Depth	34 3/8
Height	68 3/8
Width	30

Compatibility

Connectivity	No
Works With	No

Details

Advance Foam Insulation	99.9% lower Global Warming Potential and Better Energy Performance
Cooling Type	Single Evaporator
Counter Depth	No
Door Style	Contour

AHAM Volumes And Shelf Area

Freezer Volume (Cu Ft)	6.34
Refrigerator Volume (Cu Ft)	13.34
Total Volume (Cu Ft)	19.7

Configuration and Overview

Advance Foam Insulation	99.9% lower Global Warming Potential and Better Energy Performance
Counter Depth	No
Number of Doors	3

Find purposefully-designed storage zones for items you use most in this 30-inch french door bottom freezer refrigerator. Humidity-controlled crispers let you store fruits and veggies in their ideal environment while adjustable gallon door bins add loading flexibility when and where you need it.



Top Features

Fingerprint Resistant

Tuck Shelf

FreshFlow™ Produce Preserver

Manuals & Literature:

 [Dimension Guide](#)  [Energy Guide](#)

 [Owner Manual](#)  [Warranty Information](#)

Misc.

Accessory Relationships	Yes
Home Delivery	Yes
Will Call	Yes

Exterior

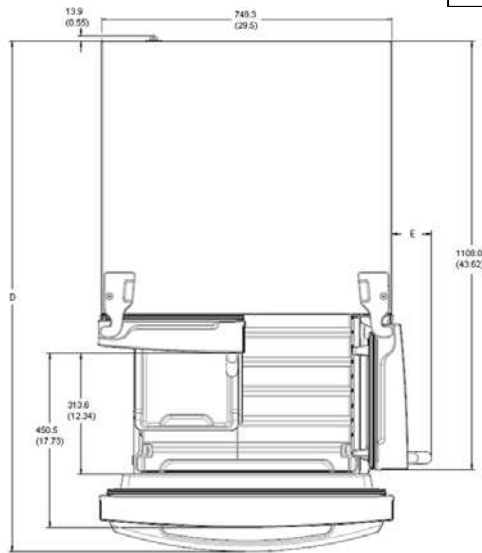
Base Grille Color	Black
-------------------	-------

SEE NOTE 1 FOR DIMENSIONAL CLARIFICATION

Whirlpool

CORPORATION
RESEARCH AND ENGINEERING
REFRIGERATION PRODUCTS
EVANSVILLE, INDIANA 47727 U.S.A.

**ALL DIMENSIONS ARE IN MILLIMETERS
& INCHES IN PARENTHESES ()**



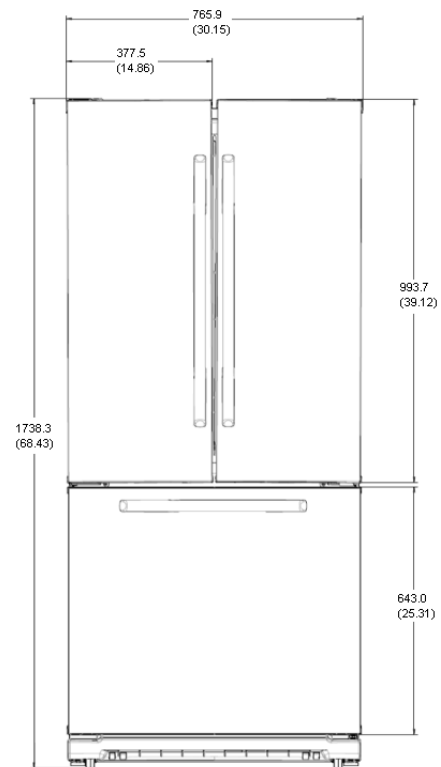
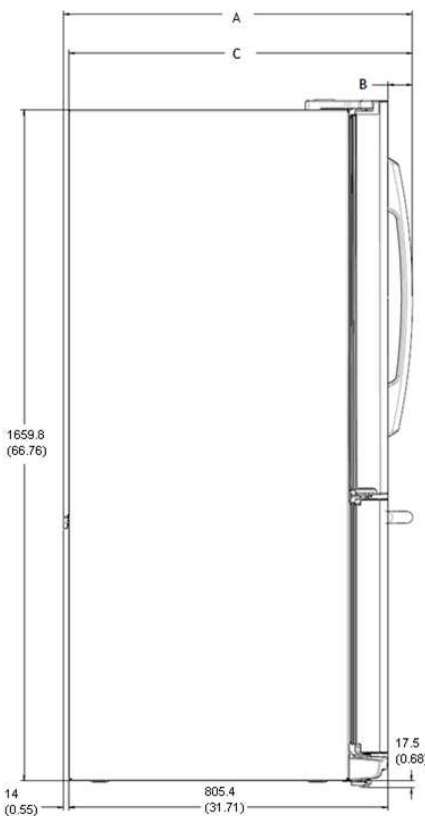
MINIMUM CABINET OPENING:

WIDTH 774.7 (30.5) - inside baseboard trim

HEIGHT 1726.7 (68) - w/ half depth upper cabinets
1747.5 (68.75) - w/ full depth upper cabinets

PACKAGING DIMENSIONS

WIDTH	HEIGHT	DEPTH
819 (32.24)	1773 (69.80)	913 (35.94)



TABULATION

HANDLE GROUP	DIM A	DIM B	DIM C	DIM D	DIM E
WHIRLPOOL	872.9 (34.37)	54.2 (2.14)	859.0 (33.82)	1312.9 (51.69)	94.1 (3.70)
KITCHEN AID	883.7 (34.79)	64.9 (2.56)	869.7 (34.24)	1322.9 (52.08)	104.8 (4.13)
MAYTAG	881.7 (34.71)	62.3 (2.45)	867.7 (34.16)	1319.0 (51.93)	102.8 (4.05)

NOTES:

- 1) Door opening required to move product (with doors and base grille removed) 749.3 mm (29.5 in).

REV	CHANGE	EN NO.	DATE	REV	CHANGE	EN NO.	DATE
A	RELEASE DIMENSION SPEC FOR XL FDBM	661906	26-JUL-2011				