







Whirlpool® 36-inch Wide Counter Depth French Door Refrigerator - 20 cu. ft.

WRF540CWHB

Available Finishes/Colours

 WRF540CWHV Black Stainless	 WRF540CWHW White
 WRF540CWHZ FingerPrint Resistant Stainless Steel	 WRF540CWHB Black

Add up to 6 inches of additional kitchen space with this counter depth refrigerator. This refrigerator with water dispenser gives you the storage you need with features like the crisper drawer to store fruits and veggies at the ideal temperature. An interior water dispenser with an EveryDrop™ water filter gives you easy access to filtered water whenever you want it.

Top Features

Fingerprint Resistant

Counter Depth Design

Humidity-Controlled Crispers

Manuals & Literature:

 [Dimension Guide](#)  [Energy Guide](#)

 [Owner Manual](#)  [Warranty Information](#)

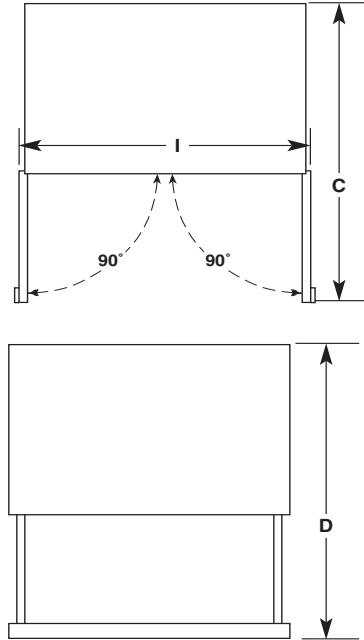
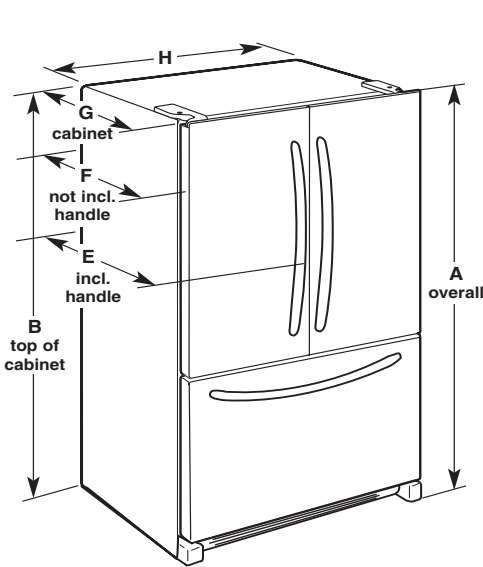
Dimensions		Specifications	
Depth	29.38	Fingerprint Resistant	No
Height	70.13	Electrical	
Width	35.63	Amps	20
Compatibility		Volts	115
Connectivity		Exterior	
Works With		Handle Color	Black
Controls		Handle Material	Metal
Control Location	Interior Up Front	Handle Type	Reach Through Handle
Control Type	Electronic	Base Grille Color	Black
Control Lockout	No	Cabinet Color	Black
Door Ajar Open Alarm	Yes	Cabinet Finish	Textured
Max Cool Fast Cool	Yes	Door Finish	Smooth
Water Filter Indicator Reset	Yes	Door Style	Contour
Specifications		Hidden Hinge	Yes
Country Of Origin	USA	Number Of Doors	3
Optional Accessories	W10346771A	Reversible Door	No



French Door Bottom Mount Refrigerator

WRF532SMH, WRF540CWH, WRF535SMH

PRODUCT DIMENSIONS



Model Number	WRF532SMH	WRF535SMH	WRF540CWH
Model Size	22.1 cu. ft.	25.2 cu. ft.	20.0 cu. ft.
Height - Overall "A"	70 ⁷ / ₈ " (178.1 cm)	70 ⁷ / ₈ " (178.1 cm)	70 ⁷ / ₈ " (178.1 cm)
Height - Top of Cabinet "B"	68 ⁷ / ₈ " (174.9 cm)	68 ⁷ / ₈ " (174.9 cm)	68 ⁷ / ₈ " (174.9 cm)
Depth - Doors Open 90° "C"	47 ⁷ / ₈ " (119.7 cm)	48 ⁷ / ₈ " (122.2 cm)	43" (109.2 cm)
Depth - Drawer Open "D"	52 ¹ / ₈ " (132.4 cm)	52 ¹ / ₈ " (132.4 cm)	45 ³ / ₈ " (115.3 cm)
Depth - With Handles "E"	34 ¹ / ₂ " (87.4 cm)	35 ¹ / ₂ " (89.9 cm)	30 ¹ / ₂ " (77.5 cm)
Depth - Without Handles "F"	32" (81.3 cm)	33" (83.8 cm)	26 ⁷ / ₈ " (68.3 cm)
Depth - Cabinet Only "G"	28 ¹ / ₈ " (71.3 cm)	29 ¹ / ₈ " (73.9 cm)	24 ¹ / ₈ " (61.2 cm)
Width - Cabinet "H"	32 ⁵ / ₈ " (82.9 cm)	35 ⁵ / ₈ " (90.5 cm)	35 ⁵ / ₈ " (90.5 cm)
Width - Door Open 90° "I"	40 ³ / ₈ " (102.6 cm)	43 ³ / ₈ " (110.2 cm)	43 ³ / ₈ " (110.2 cm)

⚠ WARNING



Electrical Shock Hazard

- Plug into a grounded 3 prong outlet.
- Do not remove ground prong.
- Do not use an adapter.
- Do not use an extension cord.
- Failure to follow these instructions can result in death, fire, or electrical shock.

Electrical: A 115 V, 60 Hz, AC only 15 A or 20 A fused, grounded electrical supply is required. It is recommended that a separate circuit serving only your refrigerator be provided. Use an outlet that cannot be turned off by a switch. Do not use an extension cord.

NOTE: Before performing any type of installation, cleaning, or removing a light bulb, turn the control (Thermostat, Refrigerator or Freezer Control depending on the model) to OFF and then disconnect the refrigerator from the electrical source. When you are finished, reconnect the refrigerator to the electrical source and reset the control (Thermostat, Refrigerator or Freezer Control depending on the model) to the desired setting. See "Using the Controls."

Water: A cold water supply with water pressure between 35 psi and 120 psi (241 kPa and 827 kPa) is required to operate the water dispenser and ice maker. If you have questions about your water pressure, call a licensed, qualified plumber.

IMPORTANT: The pressure of the water coming out of a reverse osmosis system going to the water inlet valve of the refrigerator needs to be between 35 psi and 120 psi (241 kPa and 827 kPa).

Reverse Osmosis Water Supply:

If a reverse osmosis water filtration system is connected to your cold water supply, the water pressure to the reverse osmosis system needs to be a minimum of 40 psi to 60 psi (276 kPa to 414 kPa).

LOCATION REQUIREMENTS

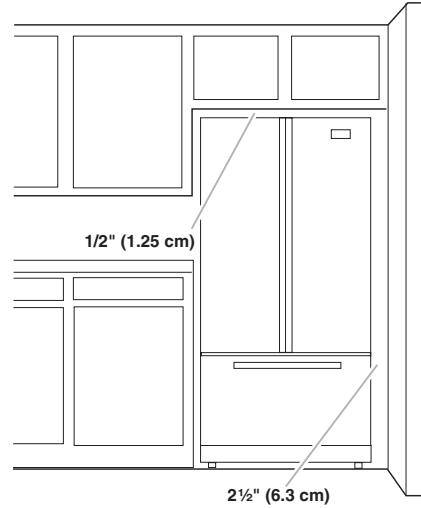
⚠ WARNING



Explosion Hazard

Keep flammable materials and vapors, such as gasoline, away from refrigerator.

Failure to do so can result in death, explosion, or fire.



IMPORTANT: This refrigerator is designed only for indoor, household use only.

To ensure proper ventilation for your refrigerator, allow for a 1/2" (1.25 cm) space on each side and at the top. Allow for 1" (2.54 cm) of space behind the refrigerator. If your refrigerator has an ice maker, make sure you leave some extra space at the back for the water line connections.

If you are installing your refrigerator next to a fixed wall, leave 2 1/2" (6.3 cm) minimum on the hinge side (some models require more) to allow for the door to swing open.

NOTE: This refrigerator is intended for use in a location where the temperature ranges from a minimum of 55°F (13°C) to a maximum of 110°F (43°C). The preferred room temperature range for optimum performance, which reduces electricity usage and provides superior cooling, is between 60°F (15°C) and 90°F (32°C). It is recommended that you do not install the refrigerator near a heat source, such as an oven or radiator.