

THANK YOU for purchasing this high-quality product. If you should experience a problem not covered in TROUBLESHOOTING, please visit our website at [www.kitchenaid.com](http://www.kitchenaid.com) or call us at **1-800-422-1230**. You will need your model and serial number located on the right-hand side, behind the compactor drawer.

---

## TABLE OF CONTENTS

COMPACTOR SAFETY .....	2
INSTALLATION REQUIREMENTS.....	3
INSTALLATION INSTRUCTIONS.....	4
COMPACTOR USE .....	7
COMPACTOR CARE .....	9
TROUBLESHOOTING .....	12
WARRANTY .....	14

# COMPACTOR SAFETY

## Your safety and the safety of others are very important.

We have provided many important safety messages in this manual and on your appliance. Always read and obey all safety messages.



This is the safety alert symbol.

This symbol alerts you to potential hazards that can kill or hurt you and others.

All safety messages will follow the safety alert symbol and either the word "DANGER" or "WARNING."

These words mean:

**⚠ DANGER**

You can be killed or seriously injured if you don't immediately follow instructions.

**⚠ WARNING**

You can be killed or seriously injured if you don't follow instructions.

All safety messages will tell you what the potential hazard is, tell you how to reduce the chance of injury, and tell you what can happen if the instructions are not followed.

## IMPORTANT SAFETY INSTRUCTIONS

**WARNING:** When using an electrical appliance, basic precautions should always be followed, including the following:

- Read all instructions before using the compactor.
- Close supervision is necessary when used by or near children. Do not allow to be used as a toy, or to run unattended at any time. Lock Key Switch when not in use and store key out of reach of children.
- Do not touch moving parts.
- Do not operate with a damaged cord set, plug, motor, or after damage in any manner. Have the compactor examined, repaired or adjusted by an authorized serviceperson.
- Use only for intended use as described in this manual. Do not use other than manufacturer's recommended attachments.
- Do not compact toxic or volatile flammable material such as oily rags and insect sprays. Do not compact lighted cigarettes, cigars, or other hot or burning items. Do not overload the compactor.
- Do not take apart the compactor. Incorrect reassembly can cause electric shock when subsequently used.
- Handle a loaded trash bag with care. Sharp objects can pierce the bag and cause injury. Do not overload trash bag with heavy material such as glass.
- This compactor is intended for household use only.
- Unplug the compactor before servicing.
- Do not modify the plug attached to the compactor; use only with a grounded receptacle.

## SAVE THESE INSTRUCTIONS

State of California Proposition 65 Warnings:

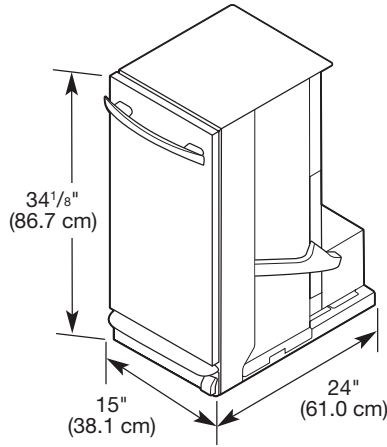
**WARNING:** This product contains one or more chemicals known to the State of California to cause cancer.

**WARNING:** This product contains one or more chemicals known to the State of California to cause birth defects or other reproductive harm.

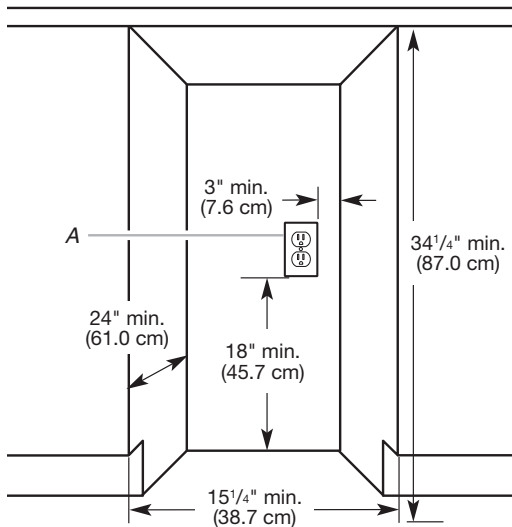
# INSTALLATION REQUIREMENTS

## Location Requirement

### Product Dimensions

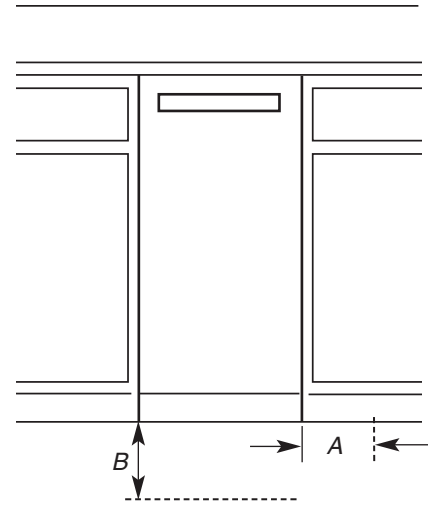


### Cutout Dimensions



- A.** Grounded electrical outlet must be a minimum of 3" (7.6 cm) away from surrounding cabinets or nearby walls as shown. It can be placed either to the left or the right side of the compactor.

### Clearance Dimensions



- A.** Leave 6" (15.2 cm) of clearance space to the right side of the compactor in order to remove the compactor bags.
- B.** Leave 23" (58.4 cm) of clearance in front of the compactor in order to fully open or remove the compactor drawer.

## Electrical Requirements

### ⚠ WARNING



#### Electrical Shock Hazard

**Plug into a grounded 3 prong outlet.**

**Do not remove ground prong.**

**Do not use an adapter.**

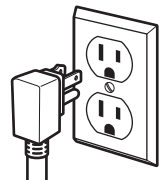
**Do not use an extension cord.**

**Failure to follow these instructions can result in death, fire, or electrical shock.**

### Recommended Grounding Method

This compactor is for use on a single phase, 115 volt, 60 Hz, AC only, 15 or 20 amp fused and properly grounded circuit and is equipped with a grounding plug as shown. It is recommended that a separate circuit serving only this appliance be provided.

This compactor must be grounded while in use to reduce the risk of electric shock. The compactor is equipped with a three-conductor cord and 3 prong grounding-type plug to fit the proper grounding-type receptacle. The green (or green and yellow) conductor in the cord is the grounding wire. Do not connect the green (or green and yellow) wire to a live terminal. Do not modify the plug attached to the compactor; use with a grounded receptacle.



# INSTALLATION INSTRUCTIONS

## Tools

**Installer:** Leave User Instructions with the homeowner.

**Homeowner:** Keep User Instructions for future reference and for local electrical inspector's use if required.

### Tools needed:

Gather the required tools and parts before starting installation.

- Level
- Tape measure
- Pliers
- Scissors
- Phillips No. 2 screwdriver
- Flat-head screwdriver
- 5/16" box-end wrench
- Utility knife

## Unpacking

### ⚠ WARNING

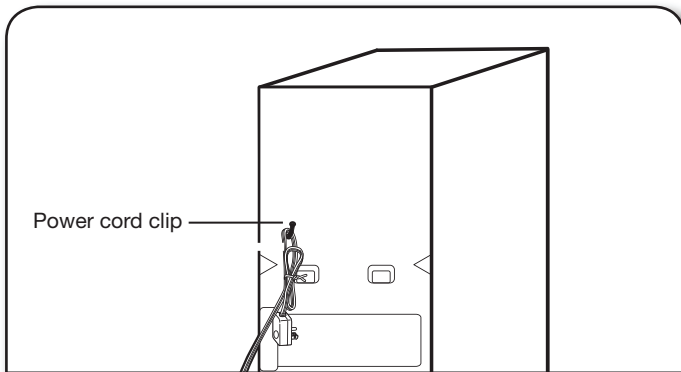
#### Excessive Weight Hazard

**Use two or more people to move and install compactor.**

**Failure to do so can result in back or other injury.**

Begin in the room where the compactor will be located.

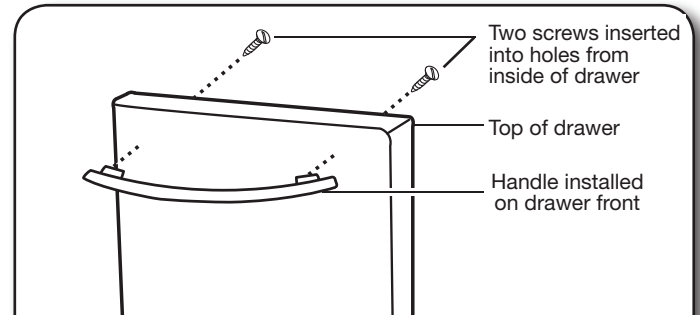
1. Remove compactor from shipping carton. Follow the instructions on the shipping carton.
2. Remove all packaging materials such as tape and shipping pads.
3. Use a mild detergent and warm water to remove waxy residue caused by shipping material.
4. Dry thoroughly with a soft cloth. For more information, see the "Cleaning" section.
5. Be sure the power cord is attached to the cord clip on the rear of the compactor.



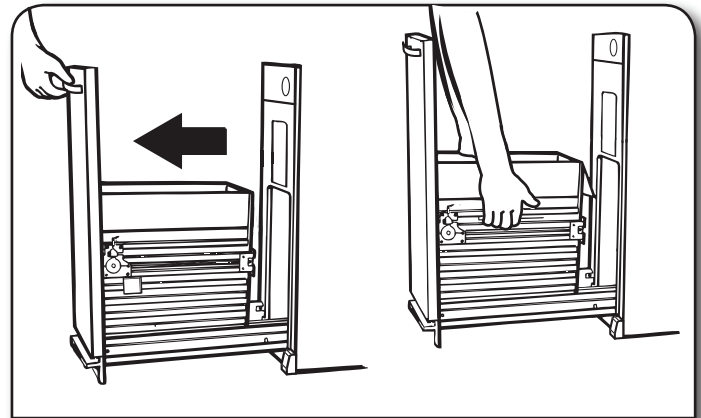
6. Place two of the four corner posts from the packaging on the floor near the compactor.
  7. Press the foot pedal to open the compactor drawer and remove any shipping materials or other items from the drawer.
- NOTE:** Do not remove the compactor bag.
8. If the compactor has a full front panel, install the handle. The handle is located inside the drawer.

### To install handle:

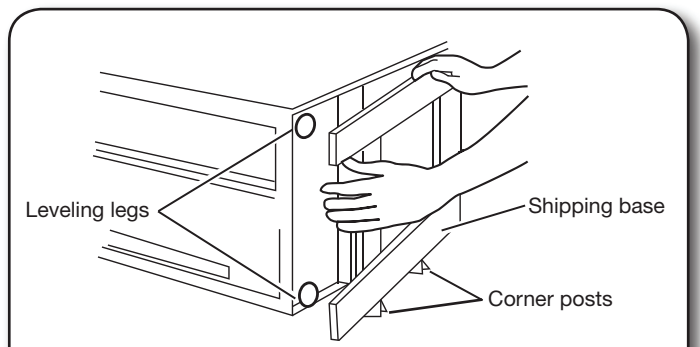
- Insert screws into the holes from the inside of the drawer.
- Place handle on the front of the drawer and align handle screw holes with screw ends.
- Tighten screws snugly.



9. Grasp the front of the drawer and tilt it backwards slightly while pulling forward to clear the drawer stops.
10. Grasp the drawer handle or sides of drawer and lift drawer out of compactor.



11. Place the drawer on the two corner posts.
12. Place the other two corner posts on the floor to the side of the compactor.
13. Grasp the sides of the compactor cabinet and place compactor on its side on top of the corner posts.
14. Remove the shipping base from the bottom of the compactor.



**NOTE:** Before returning the compactor to the upright position, adjust the height of the compactor as necessary using the following "Height Adjustment" instructions.

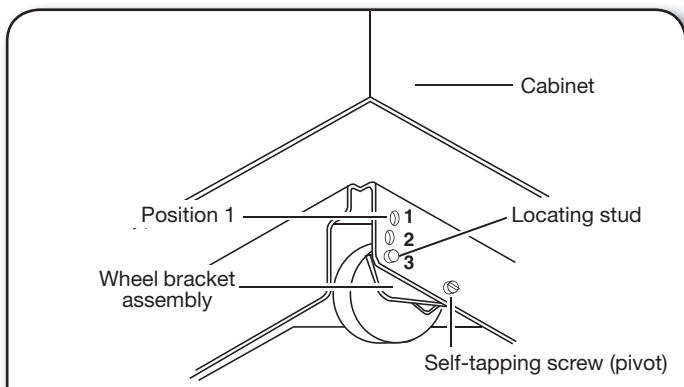
## Height Adjustment (optional)

1. Measure the height of your cabinet opening. The top of the compactor mounting screw head should be at least 1/8" (3 mm) from the top of the cabinet opening.

The rear wheels are preset for a cabinet height of 34 1/4" (87 cm). See Position "1" in the following picture.

**To adjust for cabinet opening heights greater than 34 1/4" (87 cm):**

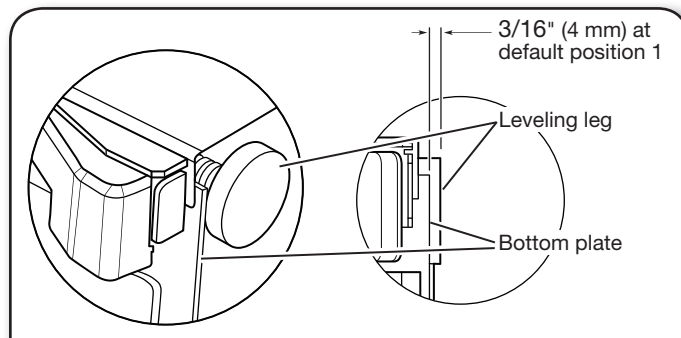
- Loosen self-tapping screw just enough to clear stud from hole in Position "1".
  - Move the rear wheel and stud to Position "2" or "3" as needed for your cabinet opening measurement:  
Position "2": 34 7/16" to 34 11/16" (87.5 to 88.1 cm)  
Position "3": 34 13/16" to 35" (88.4 to 88.9 cm)
- NOTE:** To level the compactor in position "3", you may need to add shims under the front leveling legs. The shims should be approximately 1/4" (6 mm) thick.
- Tighten screw.



2. Stand the compactor upright. If you are changing the rear wheel height, move the corner posts to the opposite side and lay the compactor on its other side. Adjust the other rear wheel.
3. Use pliers to lower the front leveling legs away from the compactor cabinet. Adjust the leveling legs to agree with the position of the rear wheels.

### Rear Wheel position:

- "1": 3/16" (4 mm) from bottom plate
- "2": 9/16" (14 mm) from bottom plate
- "3": 3/4" (19 mm) from bottom plate



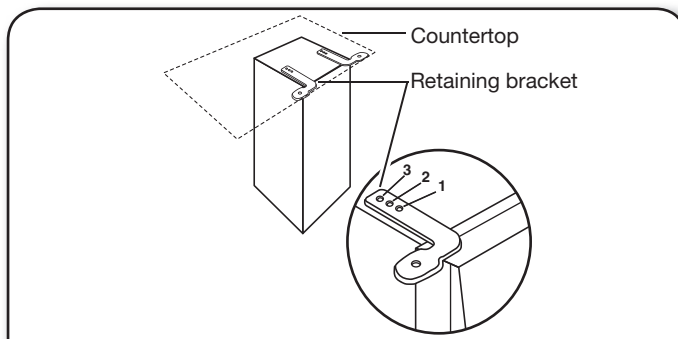
4. Stand the compactor upright. Dispose of/recycle all packaging materials.

## Undercounter Installation

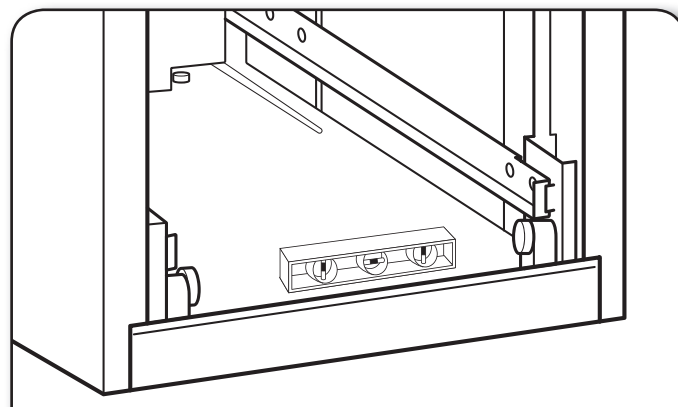
Proper installation is your responsibility. Make sure you have everything necessary for correct installation. It is the personal responsibility and obligation of the customer to contact a qualified installer to assure that electrical installation meets all national and local codes and ordinances.

### IMPORTANT:

- To avoid damaging floor covering, slide compactor onto cardboard or hardboard before moving compactor across floor.
  - Do not allow the rear frame of the compactor to touch the floor covering when lifting or moving compactor.
1. Move the compactor close to its final location.
  2. Remove cord clip from the back of the compactor. Plug into a grounded 3 prong outlet.
  3. Determine if you want the compactor cabinet frame or drawer front flush with the kitchen cabinet face.
  4. Rotate the two top retaining brackets 180°.
- The screws are supplied in position "2". If desired, adjust the brackets to position "1" or "3" as described below:
- If the compactor frame is to be flush with the cabinet front, place retaining bracket screws through "1".
  - If the compactor drawer front is to be flush with the cabinet front, place retaining bracket screws through "3".
  - If the compactor is to be midway between "1" and "3", leave the retaining bracket screws through "2".

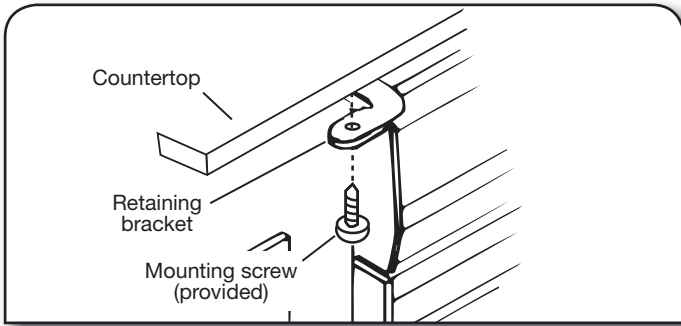


5. Slowly lift the front slightly and roll compactor into the cabinet opening.
6. Adjust the leveling legs until the compactor is level and stable. Place a level inside the bottom of the cabinet as shown. Check the compactor leveling side to side and back to back.



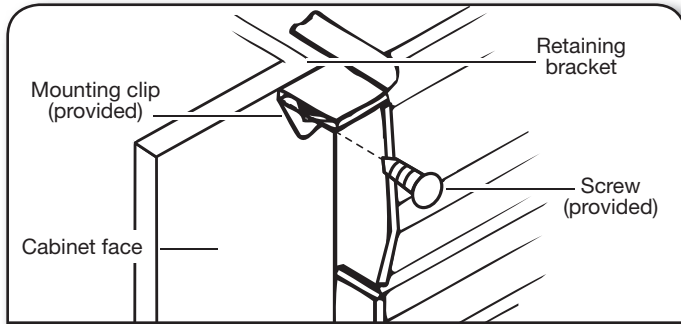
7. Using the two #8-18 x 1/2" (13 mm) screws (provided), fasten the retaining brackets to the countertop with the mounting screws.

### Countertop Mounting



**NOTE:** If the retaining brackets cannot be attached to the underside of countertop, see the “Cabinet-face Mounting” section.

### Cabinet-face Mounting (use if countertop mounting is not possible)

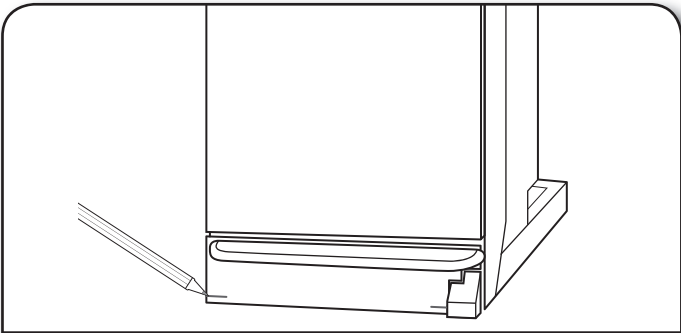


- Grasp sides of compactor drawer and place the wheels of the drawer into the tracks. Lift at the handle so drawer will go over drawer stops. Close the drawer. Make sure the drawer opens and closes freely.  
If the toe guard rubs against floor, see the “Adjusting the Toe Guard” section for further instructions.

### Adjusting the Toe Guard

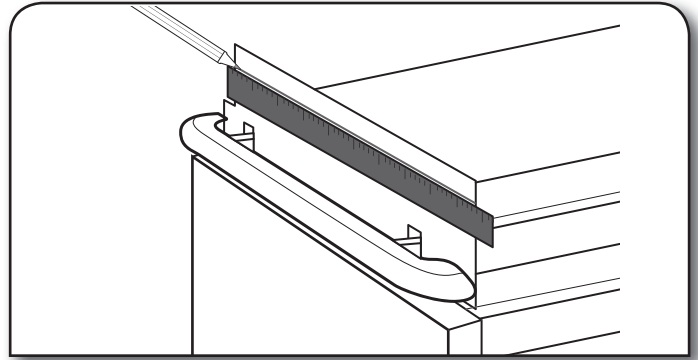
If the toe guard rubs the floor covering, the toe guard clearance may be changed as follows:

- Mark on each side of the toe guard the amount of toe guard that rubs the floor covering.



- Remove the drawer from the compactor. (See steps 9 and 10 in the “Unpacking” section.)

- Use a ruler and a pencil or chalk to draw a line between the marks on each side of toe guard. Use scissors or a utility knife to cut toe guard along line.

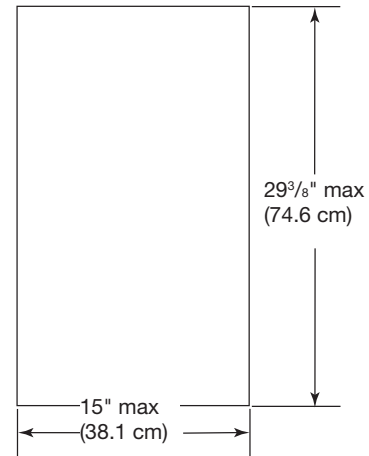


- Replace drawer. If toe guard still rubs floor covering, repeat steps 1-3.

## Installing a Custom Panel

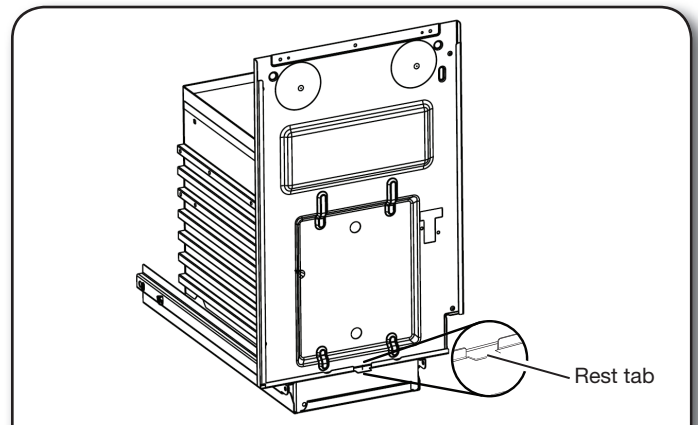
### Dimensions

Use these dimensions to create a custom panel. The panel should be a minimum of 1/2" (1.3 cm) thick.



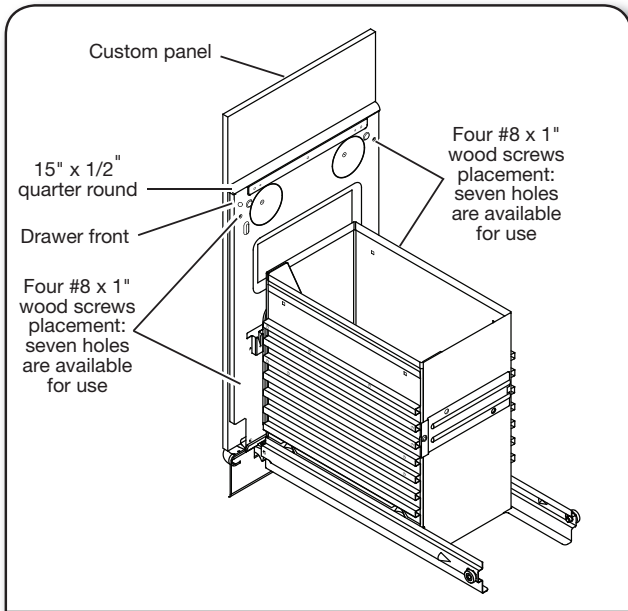
### Installation

- Align the bottom of the custom panel with the bottom of the exterior drawer front and rest the panel on the rest tab.  
**NOTE:** The bottom of the custom panel should not extend below the bottom rest tab which is located at the lower center of the exterior drawer front.



Secure the custom panel to the exterior drawer front by using four #8 x 1" wood screws from the inside drawer front. There are seven holes available for use.

2. Attach a 15" x 1/2" (38.1 cm x 13 mm) quarter-round filler along the top inside edge of the drawer front using glue or screws.



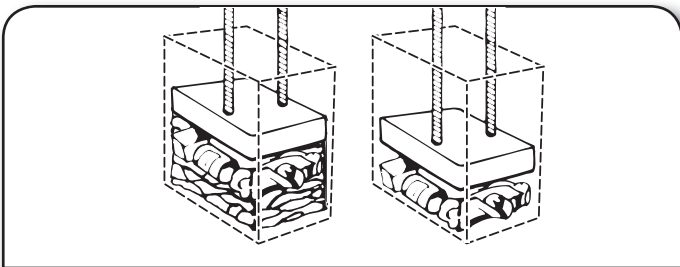
## COMPACTOR USE

### How Your Compactor Works

The compacting ram is the part of the compactor which compresses the trash.

**IMPORTANT:** The compacting ram stops 7" (18 cm) from the bottom of the drawer. You will not see compacting of trash until the drawer is more than 1/2 full.

You may hear a noise when glass breaks. Strong glass bottles may not break. The trash in a full compactor bag will be about 1/4 the size of its original bulk.



# ! WARNING

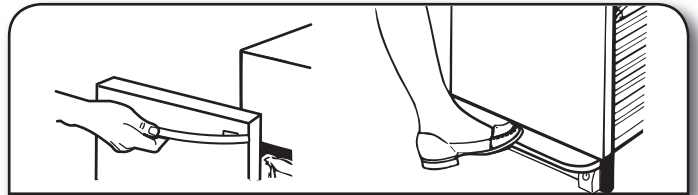
**Cut Hazard**

**Do not push items down into compactor with hands or feet.**

**Doing so can result in cuts.**

**NOTE:** You will not see compacting of trash the first few times you load the compactor. The compactor drawer should be at least 1/2 full before the compactor can begin compressing the load.

1. Open the drawer. Lift and pull the handle or press the foot pedal to open the drawer.



**NOTE:** Pressing the foot pedal opens the drawer only 3" to 6" (7.6 cm to 15.2 cm), dependent upon the load.

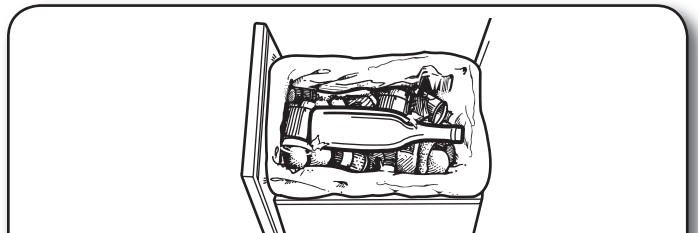
# ! WARNING

**Cut Hazard**

**Cover glass items when compacting to better contain fragments.**

**Failure to do so can result in cuts.**

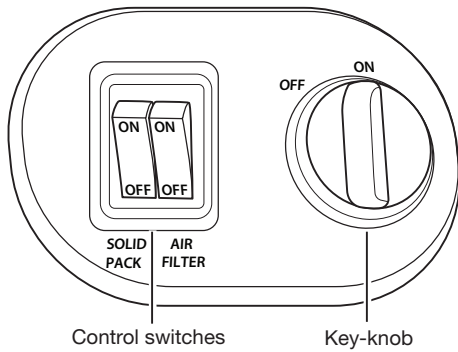
2. Place trash in compactor.



- Wrap or cover wet or messy trash.
- Do not compact items that may develop offensive odors such as raw meat, fish, grapefruit rinds, disposable diapers, or personal hygiene items.
- Load bulky trash in the center of the drawer.
- Load bottles and cans on their sides in the center of the drawer. Do not load bottles in an upright position.

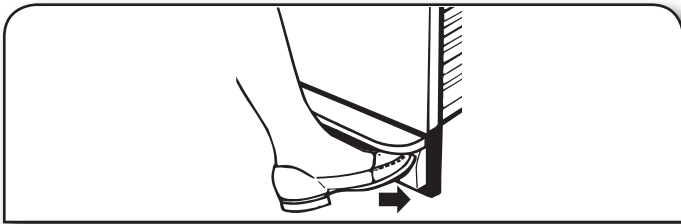
3. Close the drawer.

## Starting Your Compactor



1. Open drawer. Load trash.
2. Turn the Key-knob to the ON position.
3. Set Solid Pack™ cycle switch to OFF.
4. Close drawer.

**NOTE:** The Key-knob is removable. Remove the Key-knob to disallow children to operate the compactor. Press the foot-actuated Start button in with your toe to start the compacting cycle.



## Using Solid Pack™ (Locked) Cycle

The Solid Pack™ (locked) cycle extends the use of the bag by putting constant pressure on the trash to keep it from springing back. Regular use of a Solid Pack™ cycle can increase bag capacity up to 25 percent.

During the Solid Pack™ cycle, the ram will stay in the down position for extra compacting. The drawer is locked and cannot be opened when the ram is down.

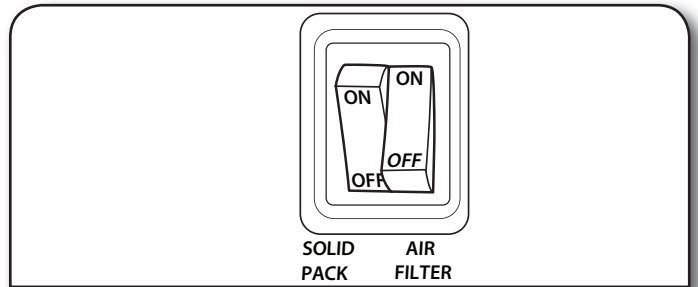
**IMPORTANT:** During the Solid Pack™ cycle, the drawer remains locked until you press the foot-actuated Start button to raise the ram.

For best results, use the Solid Pack™ cycle for at least 30 minutes at a time.

1. Lift and pull the handle or press the foot pedal to open the compactor drawer.
2. Set compactor Solid Pack™ cycle switch to ON.
3. Close drawer.
4. Press the foot-actuated Start button in with your toe to start the compacting cycle.
5. Press the foot-actuated Start button to raise the ram and allow the drawer to be opened.

## Using the Air Filter

1. Set the Air Filter switch to ON. The fan creates air movement in the compactor for odor removal.



### NOTES:

- The Air Filter only works when the Key-knob is in the On position.
  - If you hear noise while the compactor is not in use, it might be the fan has been left on.
2. Set the Air Filter switch to OFF to turn off the fan.

## Removing a Filled Bag

### ⚠ WARNING

#### Excessive Weight Hazard

Two people may be required to remove and transport compacted bag.

Unlock latch to assist in the removal of the bag.

Failure to do so can result in back or other injury.

When the trash is compacted to the top of the drawer, remove the bag. If the bag is too heavy, compact less trash before emptying it in the future.

### ⚠ WARNING

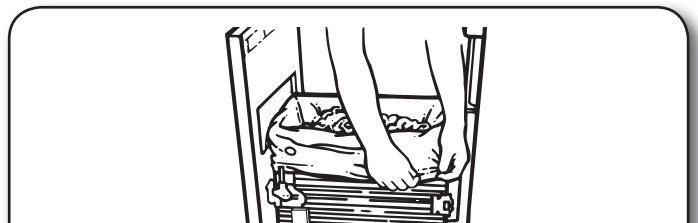


#### Cut Hazard

Do not push items down into compactor with hands or feet.

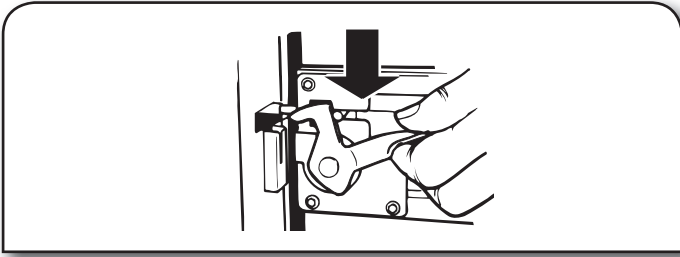
Doing so can result in cuts.

1. Lift and pull the handle or press the foot pedal to open the drawer.
2. Remove top of bag from bag retainer buttons. Pull up all four bag cuffs. Close bag with a twist tie.

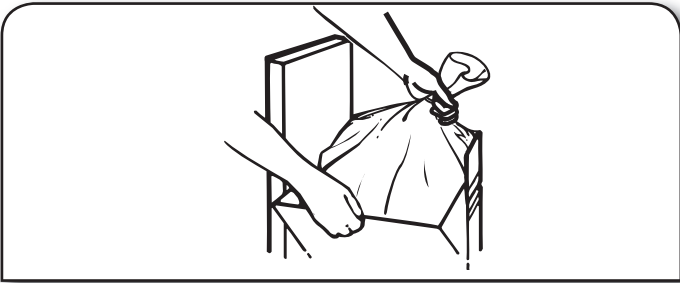




3. Release drawer side latch. Tilt drawer to the right. This releases pressure on the bag making it easier to remove the bag.



4. Lift out bag.



5. Latch the drawer if it was unlatched.

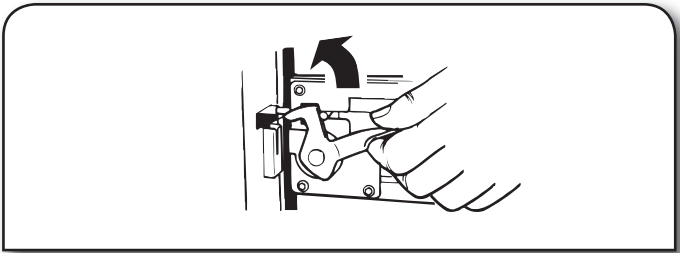
## Installing a New Bag

Do not use any kind of bag other than those designed specifically for use in your compactor. Order replacement compactor bags through your local dealer or by calling the toll-free number on the cover or in the "Assistance or Service" section.

### IMPORTANT:

Before installing a new bag, be sure:

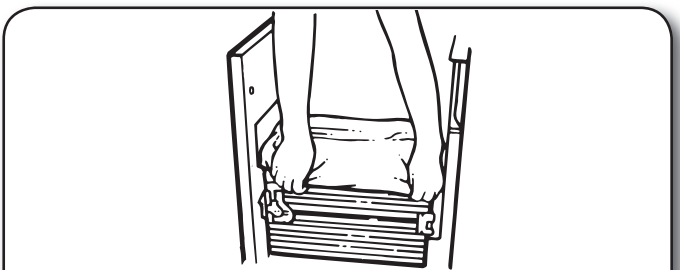
- The drawer latch is securely locked.



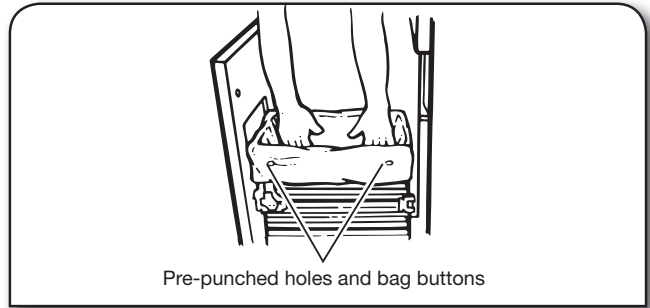
- The drawer is clean and free of debris.

**NOTE:** An unlatched drawer can cause the drawer monitor switch to stay open. This will make the ram return and the compactor will continue to run. Attempt to push the drawer inwards to stop the compactor. The continuous running of the compactor can also be attributed to debris in the drawer area. If it is difficult to open or close the drawer this may be due to either the drawer latch not being locked or debris in the drawer area.

1. Place folded bag into the drawer. Open bag and pull top edges over the drawer top.



2. Lock bag in place by pulling the four pre-punched holes over the bag retainer buttons. Holes will expand over the buttons without damaging the bag.
3. Press inside of bag against the drawer bottom, sides and corners for a smooth fit.



**NOTE:** The ram can and will tear improperly installed bags.

## COMPACTOR CARE

Your new compactor is designed to give you many years of dependable service. However, there are a few things you are expected to do in order to properly maintain your compactor. This section will tell you how to clean and care for your compactor.

Before changing the air filter, open the drawer and turn the Key-knob to the OFF position and remove it.

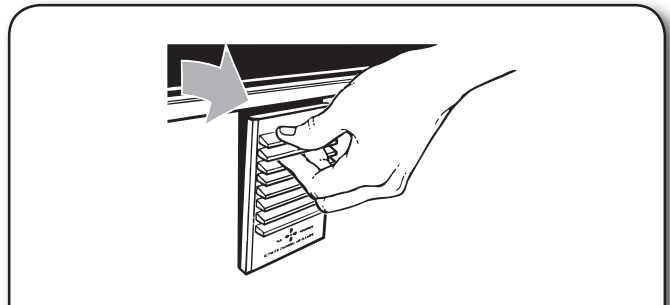
**NOTE:** Any services other than those outlined in this section should be performed by an authorized service representative. Cleaning

## Changing the Air Filter

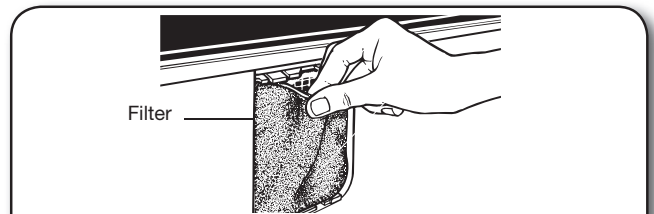
It is recommended that you use the charcoal air filter located under the filter cover.

To order the correct replacement charcoal filters, call the toll-free number listed on the cover or in the "Accessories" section.

1. Insert fingertips in the air filter cover and pull until the side tabs release. Lift the cover to release the bottom tabs.



2. Remove the air filter by pulling the top edge of the filter. The filter should pull out easily. Throw away the used filter.



3. To replace air filter, push the replacement filter into place.
4. Insert the bottom tabs of the air filter cover and push in until the side tabs snap into place.

## Cleaning

### ⚠️ WARNING



#### Cut Hazard

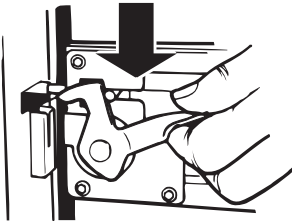
**Wear gloves when cleaning inside the drawer or cabinet, or the ram.**

**Failure to do so can result in cuts.**

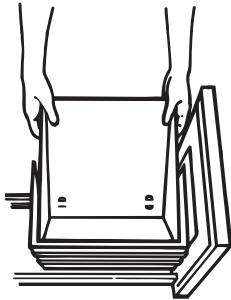
Before cleaning the compactor, open the drawer and turn the Key-Knob to the OFF position and remove it.

### Cleaning Inside the Drawer

1. Pull drawer out until it stops.
2. Remove the bag. See the "Removing a Filled Bag" section.
3. **Optional:** Remove the drawer side. Hold the drawer latch open and tilt the side of the drawer out until the latch clears the drawer front.



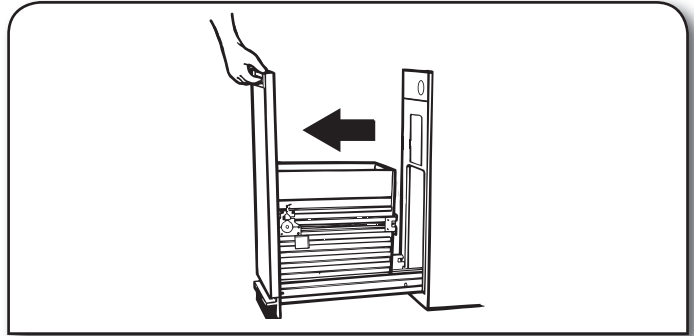
Remove the drawer side by lifting it out of the drawer.



4. Wash the interior of the drawer with a clean sponge or soft cloth and a mild detergent in warm water. Rinse and dry thoroughly with a soft cloth.
5. If the drawer side was removed, slide it back into the tilted position.
6. Press the drawer latch down while pushing the drawer side to the upright position.
7. Latch the drawer side.
8. Close the drawer.

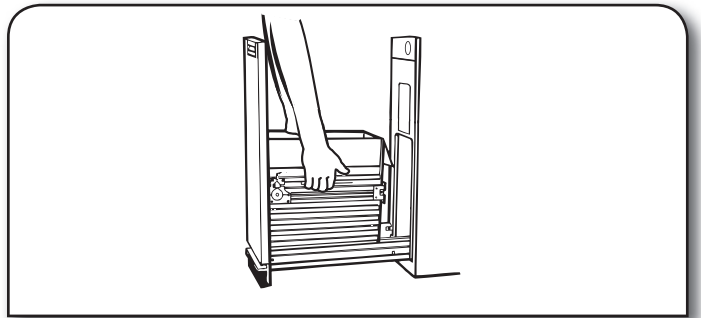
## Cleaning Inside the Cabinet

1. Pull the drawer out until it stops.

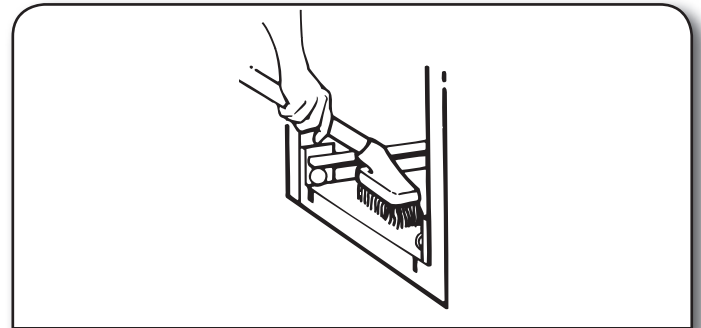


**NOTE:** Look to see how the drawer rollers move in the tracks and disengage. It will be easier to replace the drawer after you have finished cleaning.

2. Lift the front of the drawer to clear the stops.
3. Grasp the handle or drawer on the sides and pull it out the rest of the way. Set the drawer down gently.



Vacuum the inside of the cabinet. Liquid spills or wet trash should be cleaned up by hand, or by using a vacuum designed to pick up liquids.



4. Wash the inside of the cabinet with a clean sponge or soft cloth and a mild detergent in warm water. Rinse and dry thoroughly with a soft cloth.
5. To replace the drawer, grasp it by the sides and insert the rollers onto the tracks.
6. Lift the front of the drawer and push it in fully past the stops.

---

### Cleaning Exterior Surfaces

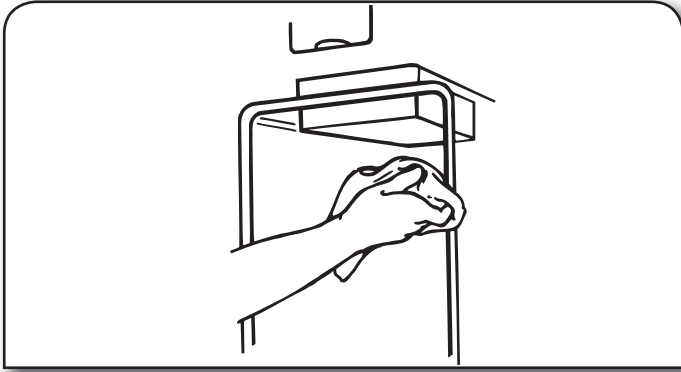
---

1. Wash exterior surfaces (including stainless steel) with a clean sponge or soft cloth and a mild detergent in warm water. Do not use abrasive or harsh cleaners. Rinse and dry thoroughly with a soft cloth.
  2. Wipe up spills immediately. Some foods can damage the finish if left on the compactor surface.
- 

### Cleaning the Ram

---

1. Wipe glass particles off of the ram cover with a cloth or paper towels. Throw the towel away.



2. Remove foods with a clean sponge or soft cloth and a mild detergent in warm water. Rinse and dry thoroughly with a soft cloth.
- 

### Cleaning Before a Vacation

---

If you will be away for more than a couple of days, remove the compactor bag. Remove the Key-knob and store it out of children's reach.

## Accessories

To order, contact your local authorized dealer. In the U.S.A. visit our webpage [www.kitchenaid.com](http://www.kitchenaid.com) or call **1-800-422-1230**.

In Canada, visit our webpage [www.kitchenaid.ca](http://www.kitchenaid.ca). or call: **1-800-807-6777**.

#### Replacement bags

15-pack - Part Number W10165295RP

60-pack - Part Number W10165294RB

180-pack - Part Number W10165295BU

#### Charcoal air filter

Part Number 4151750

#### Bag Carrier

Part Number 776989

---

#### Panels and Handles:

---

##### Panels

Part Number W10714558 (Stainless Steel)

Part Number W10714559 (White)

Part Number W10714560 (Black)

##### Handles:

Part Number W10483828 (Stainless Steel Handle)

# TROUBLESHOOTING

## ⚠️ WARNING



### Electrical Shock Hazard

**Plug into a grounded 3 prong outlet.**

**Do not remove ground prong.**

**Do not use an adapter.**

**Do not use an extension cord.**

**Failure to follow these instructions can result in death, fire, or electrical shock.**

Try the solutions suggested here first in order to avoid the cost of an unnecessary service call.

PROBLEM	SOLUTION
<b>COMPACTOR WILL NOT OPERATE</b>	<p>Check that the power supply cord is plugged into a grounded 3 prong outlet.</p> <p>Check the type of wall plug the compactor is plugged into. It is possible the compactor power cord is plugged into an outlet controlled by a wall switch. This can occur when the wall switch was meant for a garbage disposal outlet.</p> <p>A household fuse may have blown, or a circuit breaker tripped. Replace the fuse or reset the circuit breaker. If the problem continues, call an electrician.</p> <p>Make sure the drawer is completely closed. Open the drawer to ensure the latch is locked. Close the drawer firmly and start the compactor.</p> <p>Check that the Key-knob is set to ON. See the “Starting Your Compactor” section.</p> <p>Press the foot-actuated start button. See the “Starting Your Compactor” section.</p>
<b>TRASH IS NOT COMPACTING</b>	<p>Drawer must be more than half full before trash is compacted. The ram stops 7" (17.8 cm) from the bottom of the drawer.</p>
<b>DRAWER WILL NOT OPEN</b>	<p>The Solid Pack™ Cycle may be engaged. The drawer will remain locked until you reset by pressing the foot-actuated Start button. Turn the Solid Pack™ Cycle off by pushing the Solid Pack™ switch to OFF.</p> <p>Push on the drawer front in an attempt to raise the ram. Be sure the latch is locked.</p> <p>Press the foot-actuated Start button. See the “Starting Your Compactor” section.</p>

<b>PROBLEM</b>	<b>SOLUTION</b>
<b>THERE IS NOT ENOUGH COMPACTION OR FORCE</b>	Compacting works best when the Solid Pack™ cycle is used. Keep trash compressed for a minimum of 30 minutes.
<b>BOTTLES DO NOT BREAK</b>	Factors that affect bottle breakage: Bottles will not break every time. The thickness of the bottle's glass and the content of the trash load below it may keep the bottle from breaking.
<b>COMPACTOR WILL NOT TURN OFF</b>	Push on the drawer front to attempt to engage the drawer monitor switch. Open drawer and be sure the latch is locked. The foot actuated Start switch may not be engaged or the lever that pushes the Start switch in may be bent. Push on the lever to stop the compactor. If needed, bend the lever back into position. Debris in the drawer area will cause the door to disengage from the drawer monitor switch causing the compactor to keep running. This can also keep the compactor from starting.
<b>DRAWER IS HITTING THE CABINET</b>	The cabinet opening should be 15 <sup>1</sup> / <sub>4</sub> " (38.7 cm) minimum with at least an 1/8" (3.2 mm) clearance on either side. Make sure the compactor is centered in the cabinet opening. Make sure the latch is locked. An unlatched drawer will cause the front door to be wobbly and offset from center. Check for debris on the drawer tracks or under the drawer. Debris may cause the drawer to lean to one side or not sit properly on the tracks. The compactor may be set too high or not level. The compactor can be raised or lowered with front leveling. Ensure the drawer is located on the tracks. If it is not, remove the drawer and reinstall.
<b>COMPACTOR MOVING DURING OPERATION</b>	Check that the retaining brackets are installed to the cabinet. See the "Countertop Mounting" or "Cabinet-front Mounting" sections.
<b>DRAWER IS WOBBLY OR LOOSE</b>	<b>NOTE:</b> By design, it is normal for the drawer to move slightly side to side. An unlatched door will wobble more than normal. Check that the door latch is in the locked position. The screws on the drawer front (door) may be loose. With a Phillips screwdriver, check to ensure the screws holding the door to the drawer are secure.
<b>COMPACTOR IS NOISY</b>	The noise could be normal operation: The compactor is driven by a steel chain and steel sprockets. The fan will make a humming noise when on. Set the air filter switch to OFF to turn the fan off.

# KITCHENAID® COMPACTOR LIMITED WARRANTY

ATTACH YOUR RECEIPT HERE. PROOF OF PURCHASE IS REQUIRED TO OBTAIN WARRANTY SERVICE.

Please have the following information available when you call the Customer eXperience Center:

- Name, address and telephone number
- Model number and serial number
- A clear, detailed description of the problem
- Proof of purchase including dealer or retailer name and address

## IF YOU NEED SERVICE:

1. Before contacting us to arrange service, please determine whether your product requires repair. Some questions can be addressed without service. Please take a few minutes to review the Troubleshooting or Problem Solver section of the Use and Care Guide, or visit <http://kitchenaid.custhelp.com>.
2. All warranty service is provided exclusively by our authorized KitchenAid Service Providers. In the U.S. and Canada, direct all requests for warranty service to:

**KitchenAid Customer eXperience Center**

**In the U.S.A., call 1-800-422-1230. In Canada, call 1-800-807-6777.**

If outside the 50 United States or Canada, contact your authorized KitchenAid dealer to determine whether another warranty applies.

## ONE YEAR LIMITED WARRANTY

### WHAT IS COVERED

### WHAT IS NOT COVERED

#### ONE YEAR LIMITED WARRANTY

For one year from the date of purchase, when this major appliance is operated and maintained according to instructions attached to or furnished with the product, KitchenAid or KitchenAid Canada (hereafter "KitchenAid") will pay for factory specified parts and repair labor to correct defects in materials or workmanship. Service must be provided by a KitchenAid designated service company.

#### 30 DAY LIMITED WARRANTY ON THE CHARCOAL FILTER AND AIR FRESHENER

For thirty days from the date of purchase, when the compactor is installed, operated and maintained according to instructions attached to or furnished with the product, KitchenAid will provide a replacement filter or air freshener if the original filter or air freshener fails due to defects in materials or workmanship.

**YOUR SOLE AND EXCLUSIVE REMEDY UNDER THIS LIMITED WARRANTY SHALL BE PRODUCT REPAIR AS PROVIDED HEREIN.** Service must be provided by a KitchenAid designated service company. This limited warranty is valid only in the United States or Canada and applies only when the major appliance is used in the country in which it was purchased. This limited warranty is effective from the date of original consumer purchase. Proof of original purchase date is required to obtain service under this limited warranty.

1. Commercial, non-residential, multiple-family use, or use inconsistent with published user, operator or installation instructions.
2. In-home instruction on how to use your product.
3. Service to correct improper product maintenance or installation, installation not in accordance with electrical or plumbing codes or correction of household electrical or plumbing (i.e. house wiring, fuses or water inlet hoses).
4. Consumable parts (i.e. light bulbs, batteries, air or water filters, preservation solutions, etc.).
5. Defects or damage caused by the use of non-genuine KitchenAid parts or accessories.
6. Damage from accident, misuse, abuse, fire, floods, acts of God or use with products not approved by KitchenAid.
7. Repairs to parts or systems to correct product damage or defects caused by unauthorized service, alteration or modification of the appliance.
8. Cosmetic damage including scratches, dents, chips, and other damage to the appliance finishes unless such damage results from defects in materials and workmanship and is reported to KitchenAid within 30 days.
9. Discoloration, rust or oxidation of surfaces resulting from caustic or corrosive environments including but not limited to high salt concentrations, high moisture or humidity or exposure to chemicals.
10. Pick-up or delivery. This product is intended for in-home repair.
11. Travel or transportation expenses for service in remote locations where an authorized KitchenAid servicer is not available.
12. Removal or reinstallation of inaccessible appliances or built-in fixtures (i.e. trim, decorative panels, flooring, cabinetry, islands, countertops, drywall, etc.) that interfere with servicing, removal or replacement of the product.
13. Service or parts for appliances with original model/serial numbers removed, altered or not easily determined.

**The cost of repair or replacement under these excluded circumstances shall be borne by the customer.**

### DISCLAIMER OF IMPLIED WARRANTIES

IMPLIED WARRANTIES, INCLUDING ANY IMPLIED WARRANTY OF MERCHANTABILITY OR IMPLIED WARRANTY OF FITNESS FOR A PARTICULAR PURPOSE, ARE LIMITED TO ONE YEAR OR THE SHORTEST PERIOD ALLOWED BY LAW. Some states and provinces do not allow limitations on the duration of implied warranties of merchantability or fitness, so this limitation may not apply to you. This warranty gives you specific legal rights, and you also may have other rights that vary from state to state or province to province.

### DISCLAIMER OF REPRESENTATIONS OUTSIDE OF WARRANTY

KitchenAid makes no representations about the quality, durability, or need for service or repair of this major appliance other than the representations contained in this warranty. If you want a longer or more comprehensive warranty than the limited warranty that comes with this major appliance, you should ask KitchenAid or your retailer about buying an extended warranty.

### LIMITATION OF REMEDIES; EXCLUSION OF INCIDENTAL AND CONSEQUENTIAL DAMAGES

YOUR SOLE AND EXCLUSIVE REMEDY UNDER THIS LIMITED WARRANTY SHALL BE PRODUCT REPAIR AS PROVIDED HEREIN. KITCHENAID SHALL NOT BE LIABLE FOR INCIDENTAL OR CONSEQUENTIAL DAMAGES. Some states and provinces do not allow the exclusion or limitation of incidental or consequential damages, so these limitations and exclusions may not apply to you. This warranty gives you specific legal rights, and you also may have other rights that vary from state to state or province to province.

# NOTES

Nous vous REMERCIIONS d'avoir acheté ce produit de haute qualité. Si vous rencontrez un problème non couvert dans la section DÉPANNAGE, veuillez visiter notre site Web à l'adresse [www.kitchenaid.com](http://www.kitchenaid.com) ou appelez-nous au **1 800 422-1230** pour de plus amples renseignements.

Il vous faudra les numéros de modèle et de série qui se trouvent derrière le tiroir du compacteur, côté droit.

---

**TABLE DES MATIÈRES**

<b>SÉCURITÉ DU COMPACTEUR .....</b>	<b>17</b>
<b>EXIGENCES D'INSTALLATION .....</b>	<b>18</b>
<b>INSTRUCTIONS D'INSTALLATION.....</b>	<b>19</b>
<b>UTILISATION DU COMPACTEUR.....</b>	<b>22</b>
<b>ENTRETIEN DU COMPACTEUR.....</b>	<b>24</b>
<b>DÉPANNAGE.....</b>	<b>27</b>
<b>GARANTIE.....</b>	<b>29</b>



# SÉCURITÉ DU COMPACTEUR

## Votre sécurité et celle des autres est très importante.

Nous donnons de nombreux messages de sécurité importants dans ce manuel et sur votre appareil ménager. Assurez-vous de toujours lire tous les messages de sécurité et de vous y conformer.



Voici le symbole d'alerte de sécurité.

Ce symbole d'alerte de sécurité vous signale les dangers potentiels de décès et de blessures graves à vous et à d'autres.

Tous les messages de sécurité suivront le symbole d'alerte de sécurité et le mot "DANGER" ou "AVERTISSEMENT". Ces mots signifient :

**⚠ DANGER**

**Risque possible de décès ou de blessure grave si vous ne suivez pas immédiatement les instructions.**

**⚠ AVERTISSEMENT**

**Risque possible de décès ou de blessure grave si vous ne suivez pas les instructions.**

Tous les messages de sécurité vous diront quel est le danger potentiel et vous disent comment réduire le risque de blessure et ce qui peut se produire en cas de non-respect des instructions.

## IMPORTANTES INSTRUCTIONS DE SÉCURITÉ

**AVERTISSEMENT :** Lors de l'utilisation d'appareils électroménagers, il convient d'observer certaines précautions élémentaires dont les suivantes :

- Lire toutes les instructions avant d'utiliser le compacteur.
- Une surveillance étroite est nécessaire, lorsque l'appareil est employé par ou près d'enfants. Ne pas permettre d'utiliser l'appareil comme un jouet, ou le faire fonctionner sans surveillance. Verrouiller l'interrupteur à clé lorsque l'appareil n'est pas utilisé et garder la clé hors d'atteinte des enfants.
- Ne pas toucher les pièces mobiles.
- Ne pas faire fonctionner le compacteur si le cordon d'alimentation, la fiche de branchement, le moteur sont endommagés ou après tout dommage quelconque. Faire examiner, réparer ou ajuster le compacteur par un technicien autorisé.
- Utiliser uniquement pour l'usage auquel il est destiné, tel que décrit dans ce manuel. Ne pas utiliser des accessoires autres que ceux qui sont recommandés par le fabricant.
- Ne pas utiliser cet appareil pour compacter des produits toxiques ou fluides inflammables tels que chiffons imbibés d'huile et vaporisateurs insecticides. Ne pas soumettre au compacteur les articles comme cigarettes ou cigares allumés, ou autres objets en combustion ou chauds. Ne pas surcharger le compacteur.
- Ne pas démonter le compacteur. Un remontage incorrect peut être à l'origine d'un choc électrique, lors de l'utilisation subséquente.
- Manipuler avec soin un sac rempli de déchets. Des objets pointus peuvent percer le sac et causer des blessures. Ne pas surcharger le sac de déchets avec des matériaux pesants tels que le verre.
- Ce compacteur est destiné à l'usage domestique uniquement.
- Débrancher le compacteur avant toute intervention sur l'appareil.
- Ne pas modifier la fiche jointe au compacteur et utiliser seulement avec une prise reliée à la terre.

## CONSERVEZ CES INSTRUCTIONS

Avertissements de la Proposition 65 de l'État de la Californie :

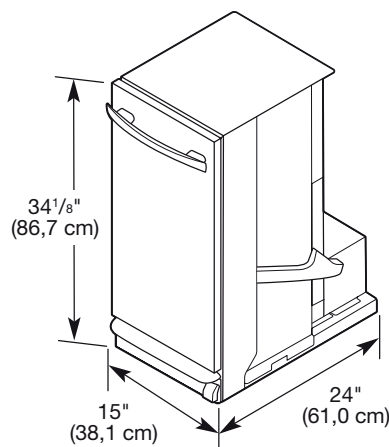
**AVERTISSEMENT :** Ce produit contient au moins un produit chimique connu par l'État de la Californie pour être à l'origine de cancers.

**AVERTISSEMENT :** Ce produit contient au moins un produit chimique connu par l'État de la Californie pour être à l'origine de malformations et autres déficiences de naissance.

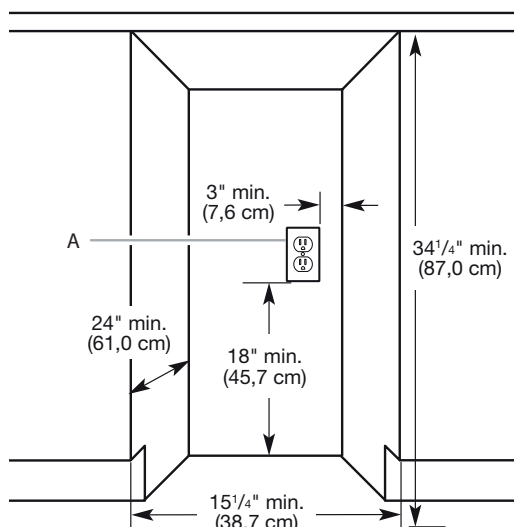
# EXIGENCES D'INSTALLATION

## Exigences d'emplacement

### Dimensions du produit

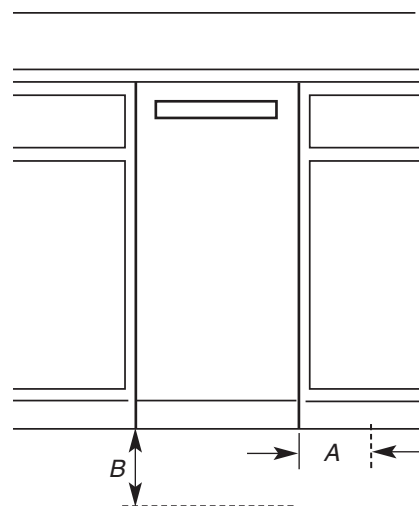


### Dimensions de l'ouverture à découper



- A. La prise de courant mise à la terre doit se situer à au moins 3" (7,6 cm) des armoires ou murs adjacents, tel qu'illustré. La prise peut être installée soit sur le côté gauche ou sur le côté droit du compacteur.

### Dimensions d'espacement



- A. Laisser 6" (15,2 cm) d'espace à droite du compacteur pour enlever les sacs du compacteur.  
B. Laisser 23" (58,4 cm) d'espace devant le compacteur pour ouvrir complètement ou retirer le tiroir du compacteur.

## Spécifications électriques

### ⚠ AVERTISSEMENT



#### Risque de choc électrique

**Brancher sur une prise de courant à 3 alvéoles, reliée à la terre.**

**Ne pas enlever la prise de liaison à la terre.**

**Ne pas utiliser d'adaptateur.**

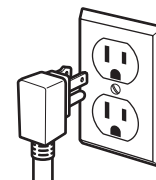
**Ne pas utiliser de rallonge.**

**Le non-respect de ces instructions peut causer un décès, un incendie ou un choc électrique.**

### Méthode de liaison à la terre recommandée

Le compacteur est alimenté par un circuit de 115 V CA monophasé, 60 Hz, 15 ou 20 A; le circuit doit être protégé par un fusible et convenablement relié à la terre et doit être équipé d'une fiche de liaison à la terre tel qu'illustré. Il est recommandé de raccorder l'appareil sur un circuit distinct exclusif à cet appareil.

Ce compacteur doit être relié à la terre lorsqu'il est utilisé pour réduire le risque de choc électrique. Le compacteur est équipé d'un cordon à trois conducteurs et d'une fiche à 3 broches de type relié à la terre, pour convenir à la prise de courant appropriée reliée à la terre. Le conducteur vert (ou vert et jaune) dans le cordon est le fil de liaison à la terre. Ne pas connecter le fil vert (ou vert et jaune) à une borne active. Ne pas modifier la fiche jointe au compacteur; utiliser avec une prise reliée à la terre.



# INSTRUCTIONS D'INSTALLATION

## Outils

**Installateur :** remettre les instructions d'utilisation au propriétaire.

**Propriétaire :** conserver les instructions d'utilisation pour référence ultérieure et à l'usage de l'inspecteur des installations électriques local, si nécessaire.

## Outils nécessaires :

Rassembler les outils et pièces nécessaires avant d'entreprendre l'installation.

- Niveau
- Ruban à mesurer
- Pince
- Ciseaux
- Tournevis Phillips n° 2
- Tournevis à tête plate
- Clé polygonale de 5/16"
- Couteau utilitaire

## Déballage

### ⚠ AVERTISSEMENT

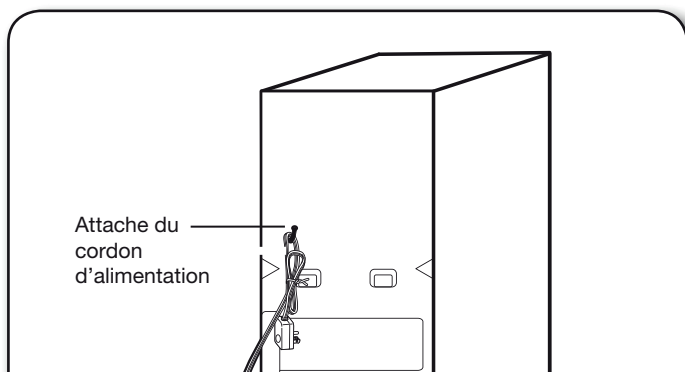
#### Risque de poids excessif

**Il faut l'aide d'au moins deux personnes pour déplacer et installer le compacteur.**

**Le non-respect de cette instruction peut entraîner une blessure au dos ou d'autres blessures.**

Commencer dans la pièce où le compacteur sera installé.

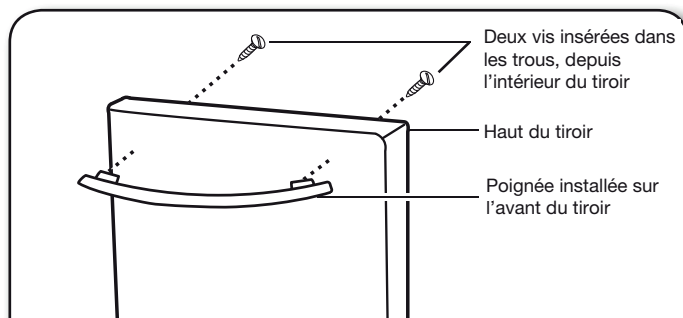
1. Retirer le compacteur du carton d'emballage. Suivre les instructions indiquées sur le carton d'expédition.
2. Retirer tous les matériaux d'emballage de protection tels que ruban adhésif et cales d'expédition.
3. Utiliser une solution d'eau tiède et de détergent pour éliminer tout résidu de cire laissé par les matériaux d'emballage.
4. Sécher soigneusement avec un chiffon doux. Pour obtenir plus de renseignements, voir la section "Nettoyage".
5. S'assurer que le cordon d'alimentation est attaché à la bride du cordon à l'arrière du compacteur.



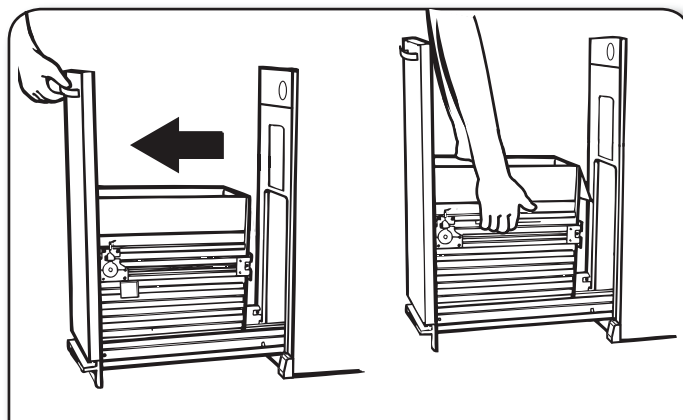
6. Mettre deux des quatre cornières de protection de l'emballage sur le sol près du compacteur.
  7. Appuyer sur la pédale pour ouvrir le tiroir du compacteur et retirer tout matériau d'expédition ou autre article du tiroir.
- REMARQUE :** Ne pas enlever le sac du compacteur.
8. Si le panneau avant du compacteur est complet, installer la poignée. La poignée est située à l'intérieur du tiroir.

## Installation de la poignée :

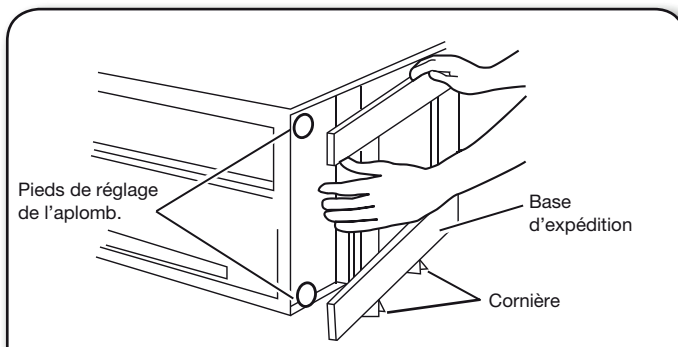
- Insérer les vis dans les trous depuis l'intérieur du tiroir.
- Placer la poignée sur la façade du tiroir; aligner les trous de la poignée avec les extrémités des vis.
- Bien serrer les vis.



9. Saisir l'avant du tiroir et l'incliner légèrement vers l'arrière tout en tirant vers l'avant pour dégager les butées du tiroir.
10. Saisir la poignée du tiroir ou les côtés du tiroir et soulever le tiroir pour le sortir du compacteur.



11. Mettre le tiroir sur les deux cornières de protection.
12. Mettre les deux autres cornières de protection sur le sol à côté du compacteur.
13. Saisir les côtés de la caisse du compacteur et placer le compacteur sur le côté sur les cornières de protection.
14. Retirer la base d'expédition du bas du compacteur.



**REMARQUE :** Remettre le compacteur en position verticale et régler la hauteur du compacteur au besoin en suivant les instructions "Réglage de la hauteur".

## Réglage de la hauteur (selon les besoins)

- Mesurer la hauteur de l'ouverture d'encastrement. Le sommet de la tête de la vis de montage du compacteur devrait être à au moins 1/8" (3 mm) du sommet de l'ouverture d'encastrement.

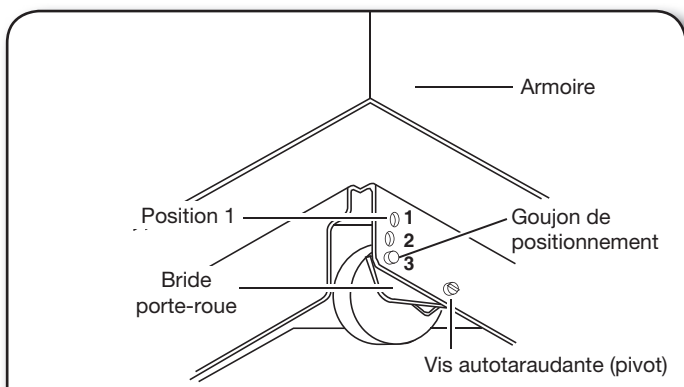
Les roues arrière sont préréglées pour une armoire d'une hauteur de 34 1/4" (87 cm). Voir position "1" de l'illustration suivante.

### Pour ajuster pour hauteur d'ouverture d'encastrement supérieure à 34 1/4" (87 cm) :

- Desserrer la vis, juste assez pour pouvoir extraire le piston du trou de positionnement "1".
- Déplacer la roue arrière et le tenon à la position "2" ou "3" au besoin, pour la mesure d'ouverture d'encastrement :  
Position "2" : 34 7/16" à 34 11/16" (87,5 à 88,1 cm)  
Position "3" : 34 13/16" à 35" (88,4 à 88,9 cm)

**REMARQUE :** Pour mettre le compacteur d'aplomb en position "3", vous devez peut-être ajouter des cales sous les pieds de nivellement. La hauteur des cales doit être environ 1/4" (6 mm).

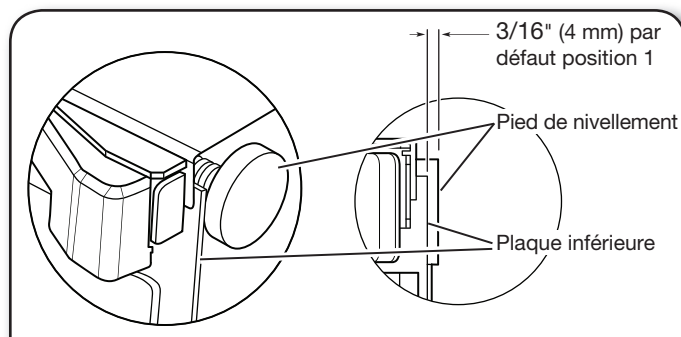
- Serrer la vis.



- Placer le compacteur à la verticale. Si la hauteur de la roue arrière doit être réglée, déplacer les cornières de protection au côté opposé et placer le compacteur sur son autre côté. Régler l'autre roue arrière.
- Utiliser la pince pour abaisser les pieds de nivellement avant hors de la caisse du compacteur. Régler les pieds de nivellement pour correspondre avec la position des roues arrière.

### Position de la roue arrière :

- "1" : 3/16" (4 mm) à partir du dessous du compacteur
- "2" : 9/16" (14 mm) à partir du dessous du compacteur
- "3" : 3/4" (19 mm) à partir du dessous du compacteur



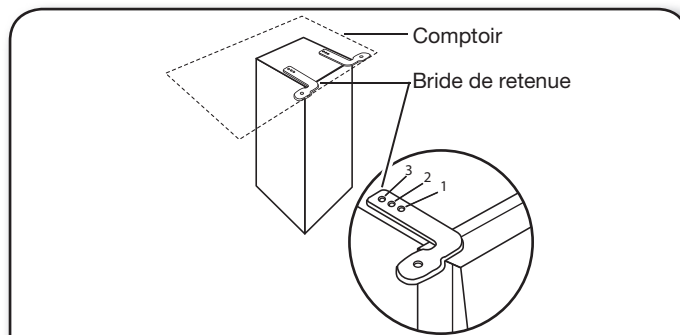
- Placer le compacteur à la verticale. Éliminer/recycler tous les matériaux d'emballage.

## Installation sous un comptoir

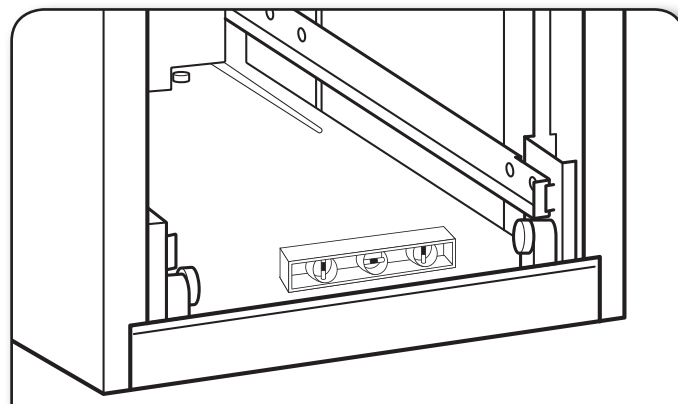
C'est à l'utilisateur qu'incombe la responsabilité de réaliser une installation correcte. S'assurer d'avoir tout le nécessaire pour une installation correcte. C'est la responsabilité et l'obligation personnelle du client de contacter un installateur qualifié pour s'assurer que l'installation électrique réponde aux codes et règlements nationaux et locaux.

### IMPORTANT :

- Pour éviter d'endommager le revêtement de sol, glisser le compacteur sur du carton ou des panneaux durs avant de déplacer le compacteur sur le plancher.
  - Ne pas laisser le châssis arrière du compacteur toucher le revêtement de sol lorsqu'on soulève ou déplace le compacteur.
- Déplacer le compacteur près de son emplacement final.
  - Retirer la bride du cordon à l'arrière du compacteur. Brancher sur une prise de courant à 3 alvéoles, reliée à la terre.
  - Déterminer si le cadre du compacteur ou le devant du tiroir doit être en affleurement avec le devant de l'armoire de cuisine.
  - Faire pivoter les deux brides de retenue supérieures de 180°.
- Les vis sont fournies en position "2". Au besoin, régler les brides sur la position "1" ou "3" comme décrit ci-dessous :
- Si le cadre du compacteur doit être en affleurement avec l'avant de l'armoire, placer les vis de retenue de la bride dans les trous "1" des brides.
  - Si le devant de la bride du tiroir du compacteur doit être en affleurement avec l'avant de l'armoire, placer les vis de retenue de la bride dans les trous "3" des brides.
  - Si le compacteur doit être installé à une position intermédiaire entre "1" et "3", placer les vis de retenue de la bride dans les trous "2" des brides.

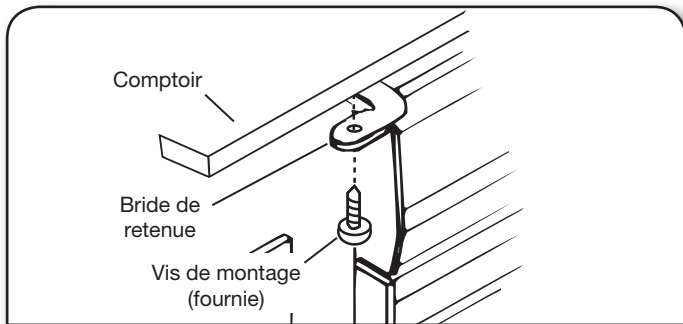


- Soulever lentement et légèrement le devant et faire rouler le compacteur dans l'ouverture d'encastrement.
- Ajuster les pieds de nivellement jusqu'à ce que le compacteur soit de niveau et stable. Placer un niveau à l'intérieur au bas de la caisse, comme indiqué. Contrôler l'aplomb transversal et dans le sens avant/arrière du compacteur.



- À l'aide des deux vis n° 8 - 18 x 1/2" (13 mm), fixer les brides de retenue en dessous du comptoir avec les vis de montage.

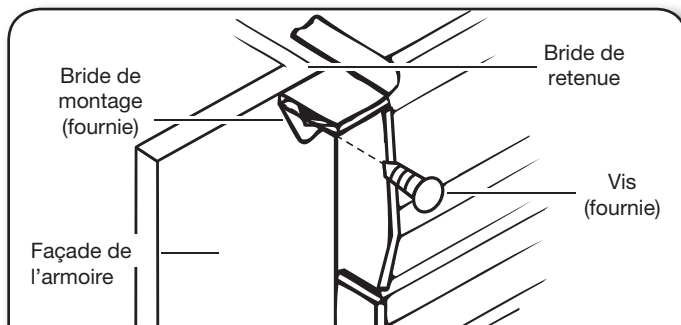
## Installation au comptoir



**REMARQUE :** Si les brides de retenue ne peuvent pas être fixées sous le comptoir, voir la section "Montage à l'avant de l'armoire".

### Montage à l'avant de l'armoire

(à utiliser si le montage au comptoir n'est pas possible)

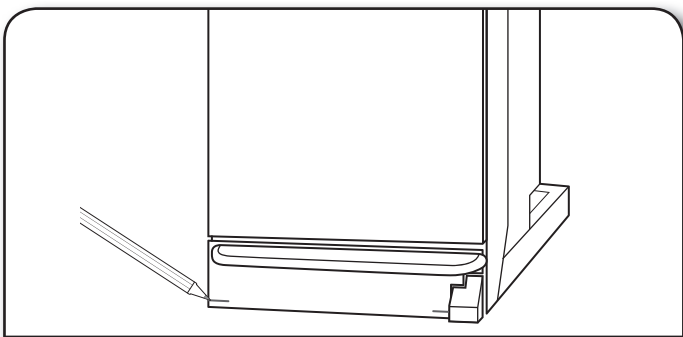


8. Saisir les côtés du tiroir du compacteur et placer les roues du tiroir dans les glissières. Soulever le tiroir par la poignée pour faire passer l'avant du tiroir au-dessus des butées. Fermer le tiroir. Vérifier que le tiroir s'ouvre et se ferme librement. Si le garde-pieds frotte contre le plancher, consulter les autres instructions à la section "Réglage du garde-pieds".

## Réglage du garde-pieds

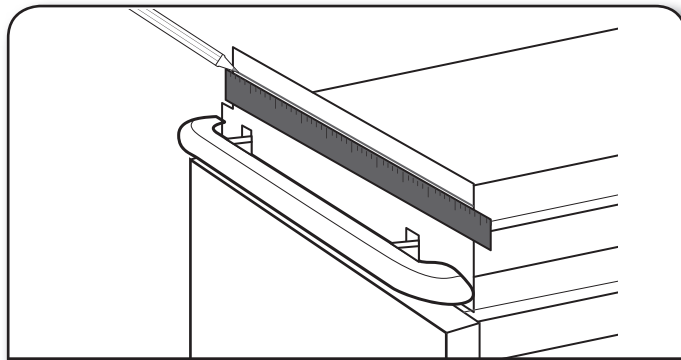
Si le garde-pieds frotte contre le revêtement de sol, on peut en modifier la hauteur comme suit :

1. Marquer de chaque côté du garde-pieds la largeur du matériau qui cause le frottement sur le revêtement de sol.



2. Retirer le tiroir du compacteur. (Voir les étapes 9 et 10 à la section "Déballage du compacteur".)

3. À l'aide d'une règle et d'un crayon ou d'une craie, tracer une ligne entre les marques tracées de chaque côté du garde-pieds. À l'aide de ciseaux ou d'un couteau tout usage, découper le garde-pieds le long de la ligne.

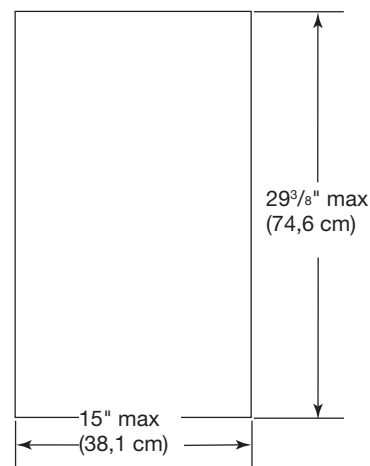


4. Réinstaller le tiroir. Si le garde-pieds frotte toujours sur le revêtement de sol, répéter les étapes 1 à 3.

## Installation d'un panneau personnalisé

### Dimensions

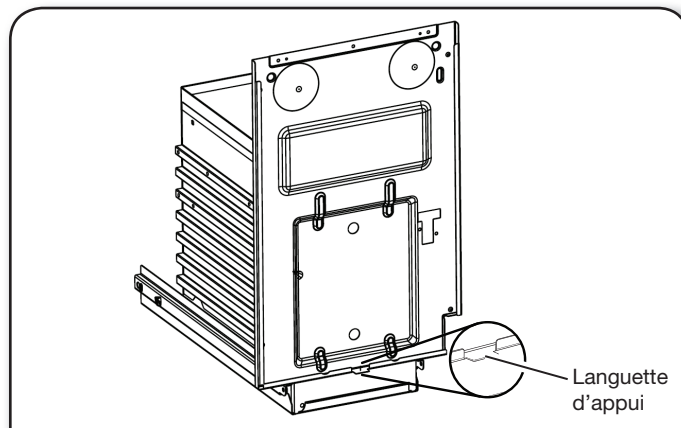
Utiliser ces dimensions pour créer un panneau personnalisé. Le panneau doit avoir une épaisseur minimale de 1/2" (1,3 mm).



### Installation

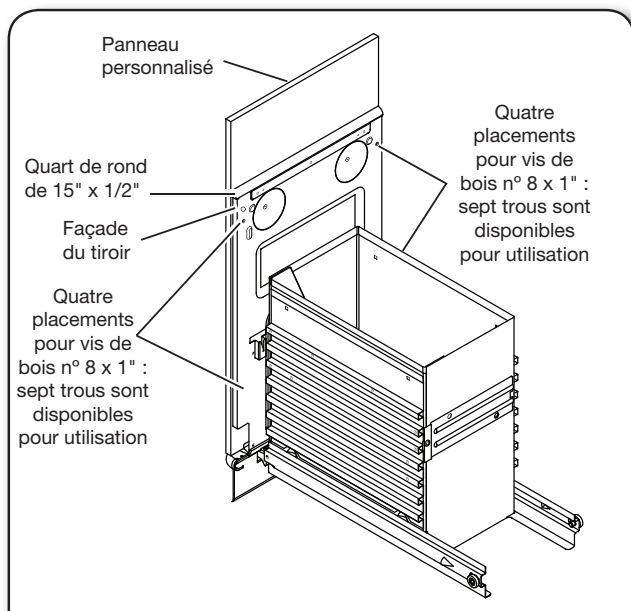
1. Aligner le bas du panneau personnalisé au bas avant extérieur du tiroir et appuyer le panneau sur la languette d'appui.

**REMARQUE :** Le bas du panneau personnalisé ne devrait pas aller plus bas que le bas de la languette d'appui qui est située au niveau le plus bas au centre et à l'avant du tiroir extérieur.



Fixer le panneau personnalisé à l'avant du tiroir extérieur au moyen de quatre vis à bois n° 8 x 1". Visser de l'intérieur du tiroir. Il y a sept trous pour les vis.

- Fixer un joint d'un quart-de-rond de 15" x 1/2" (38,1 cm x 13 mm) le long du sommet du tiroir à l'avant en utilisant de la colle ou des vis.



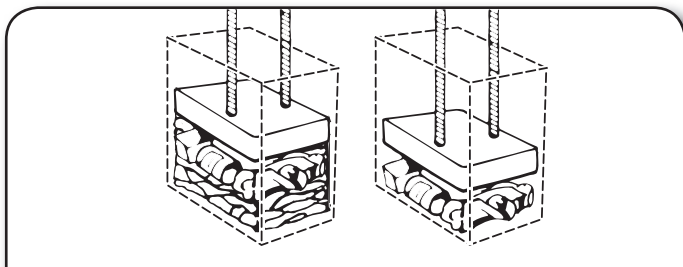
## UTILISATION DU COMPACTEUR

### Fonctionnement du compacteur

La presse du compacteur fait partie du compacteur qui compresse les déchets.

**IMPORTANT :** Le vérin du compacteur s'arrête à 7" (18 mm) du bas du tiroir. Les déchets ne seront pas compactés avant que le tiroir ne soit à 1/2 plein.

Un bruit se fait entendre lorsque de la verrerie se brise. Les bouteilles en verre robuste peuvent ne pas se briser. Les déchets dans un sac de compacteur plein feront environ le 1/4 du volume original.



## ⚠ AVERTISSEMENT

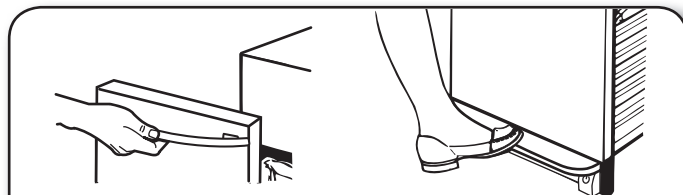


### Risque de coupure

**Ne pas utiliser les mains ou les pieds pour compacter les articles dans le compacteur. Le non-respect de cette instruction peut occasionner des coupures.**

**REMARQUE :** Les premiers déchets chargés ne seront pas comprimés les premières fois que vous chargez le compacteur. Le tiroir du compacteur devrait être au moins à 1/2 rempli avant que le compacteur de déchets puisse commencer à compresser la charge.

- Ouvrir le tiroir. Soulever et tirer la poignée ou appuyer sur la pédale pour ouvrir le tiroir.



**REMARQUE :** Appuyer sur la pédale ouvre le tiroir de 3" à 6" (7,6 cm à 15,2 cm) seulement, selon la charge.

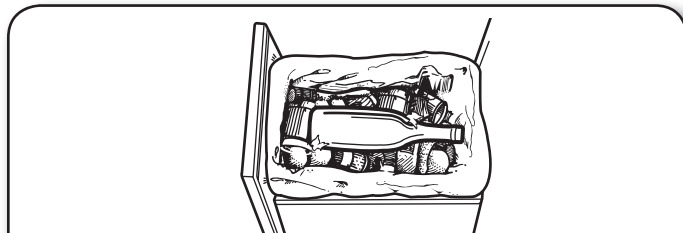
## ⚠ AVERTISSEMENT



### Risque de coupure

**Couvrir les articles en verre lors de la compression pour mieux contenir les fragments. Le non-respect de cette instruction peut causer des coupures.**

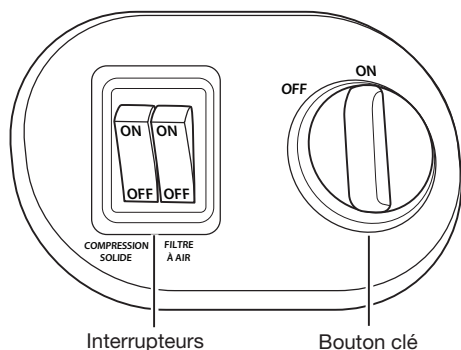
- Mettre les déchets dans le compacteur.



- Envelopper ou recouvrir les déchets humides ou salissants.
- Ne pas mettre dans le compacteur des matières susceptibles de dégager de mauvaises odeurs, telles que viande crue, poisson, pelures de pamplemousse, couches jetables ou articles d'hygiène personnelle.
- Charger les déchets volumineux au centre du tiroir.
- Charger les bouteilles et canettes sur le côté au centre du tiroir. Ne pas placer les bouteilles dans une position verticale.

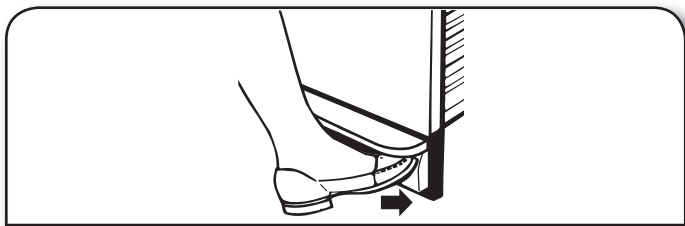
- Fermer le tiroir.

## Mise en marche du compacteur



1. Ouvrir le tiroir. Placer les déchets à l'intérieur.
2. Tourner le bouton clé à la position ON (marche).
3. Régler l'interrupteur Solid Pack™ (compression solide) à OFF (arrêt).
4. Fermer le tiroir.

**REMARQUE :** Le bouton clé est amovible. Retirer le bouton clé pour empêcher les enfants de faire fonctionner le compacteur. Appuyer sur le bouton start (mise en marche) avec le pied pour démarrer le programme de compactage.



## Utilisation du programme de compression solide (verrouillé)

Le programme de compression solide (verrouillé) prolonge la durée d'utilisation du sac en exerçant une pression constante sur les déchets pour les empêcher de se décompresser. L'utilisation régulière d'un programme de compression solide peut augmenter la capacité d'un sac de 25 pour cent.

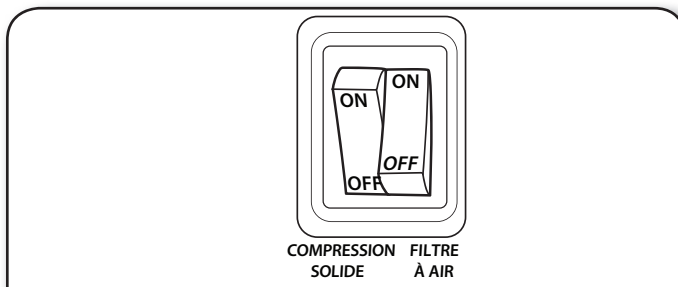
Durant le programme de compression solide, le vérin de compression reste en position abaissée pour un compactage supplémentaire. Le tiroir est verrouillé et ne peut être ouvert quand le vérin est abaissé.

**IMPORTANT :** Au cours du programme de compression solide, le tiroir reste verrouillé jusqu'à ce que l'on appuie sur le bouton start (mise en marche) avec le pied permettant de monter le vérin. Pour les meilleurs résultats, utiliser le programme de compression solide pendant des périodes d'au moins 30 minutes.

1. Soulever et tirer la poignée ou appuyer sur la pédale pour ouvrir le tiroir du compacteur.
2. Régler l'interrupteur du programme Solid Pack™ (compression solide) du compacteur sur ON (marche).
3. Fermer le tiroir.
4. Appuyer sur le bouton start (mise en marche) avec le pied pour démarrer le programme de compactage.
5. Appuyer sur le bouton start (mise en marche) avec le pied pour relever le vérin et permettre l'ouverture du tiroir.

## Utiliser le filtre à air

1. Régler l'interrupteur du filtre à air sur ON (marche). Le ventilateur crée un mouvement d'air dans le compacteur pour éliminer les odeurs.



### REMARQUES :

- Le filtre à air fonctionne seulement lorsque le bouton clé est en position ON (marche).
  - Du bruit peut provenir du compacteur même s'il n'est pas utilisé si le ventilateur n'a pas été fermé.
2. Régler l'interrupteur Air Filter (filtre à air) sur OFF (arrêt) pour éteindre le ventilateur.

## Retirer un sac plein

### ⚠ AVERTISSEMENT

#### Risque de poids excessif

**Il faudra peut-être deux personnes pour retirer et transporter le sac de déchets compactés.**

**Déverrouiller le loquet pour aider au retrait du sac.**

**Le non-respect de cette instruction peut entraîner une blessure au dos ou d'autres blessures.**

Lorsque les déchets sont compactés jusqu'au-dessus du tiroir, retirer le sac. Si le sac est trop lourd, compacter moins de déchets avant de vider le sac à l'avenir.

### ⚠ AVERTISSEMENT

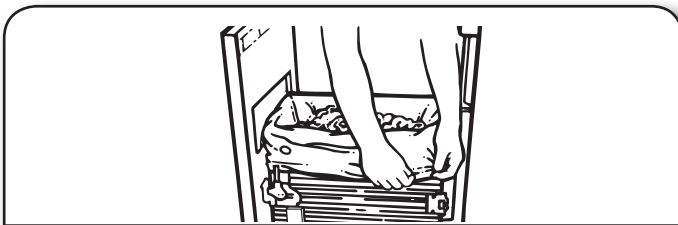


#### Risque de coupure

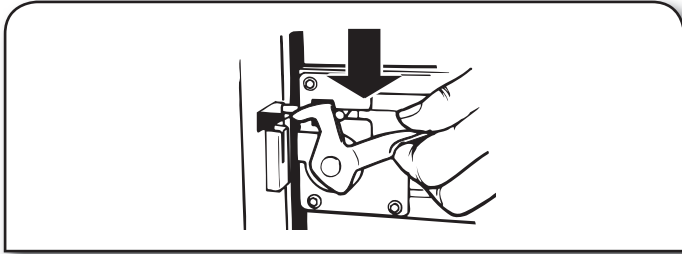
**Ne pas utiliser les mains ou les pieds pour compacter les articles dans le compacteur.**

**Le non-respect de cette instruction peut occasionner des coupures.**

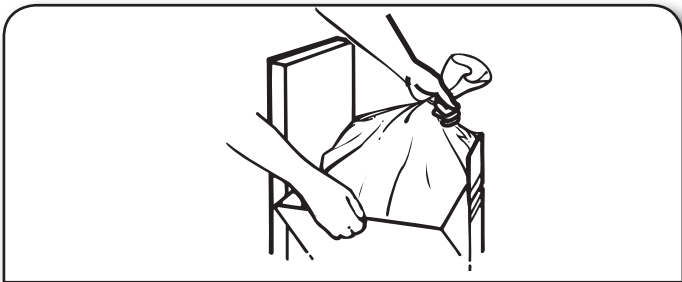
1. Soulever et tirer la poignée ou appuyer sur la pédale pour ouvrir le tiroir.
2. Dégager le haut du sac des boutons de retenue du sac. Relever les quatre revers du sac. Fermer le sac avec une attache torsadée.



3. Ouvrir le loquet sur le côté du tiroir. Incliner le tiroir sur la droite. Cette opération libère la pression, ce qui rend le sac plus facile à enlever.



4. Retirer le sac en le soulevant.



5. Verrouiller le tiroir s'il était déverrouillé.

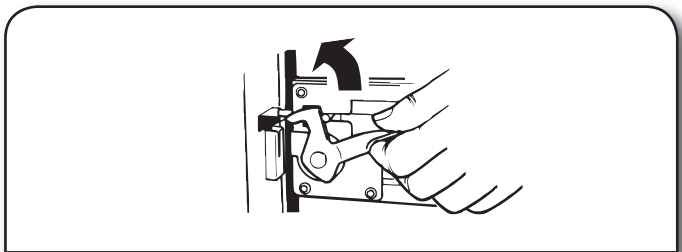
## Installation d'un nouveau sac

Ne pas utiliser d'autres sacs que ceux qui sont spécifiquement conçus pour être utilisés dans votre compacteur. Commander des sacs de rechange pour compacteur chez votre marchand local ou en composant le numéro sans frais indiqué sur la couverture ou à la section "Assistance ou service".

### IMPORTANT :

Avant d'installer un nouveau sac, s'assurer que :

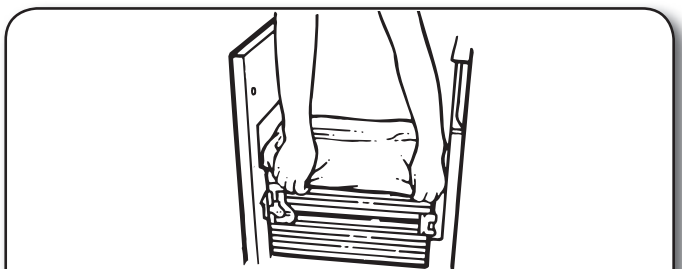
- Le loquet du tiroir est bien verrouillé.



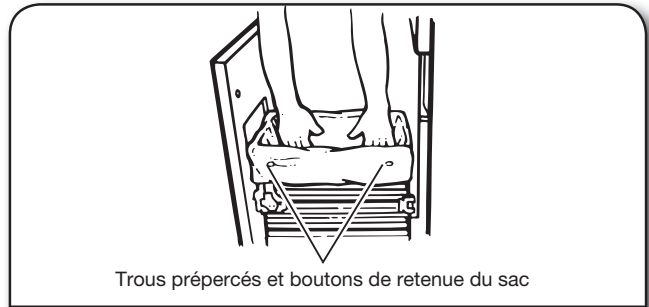
- Le tiroir est propre et exempt de débris.

**REMARQUE :** Un tiroir non verrouillé peut faire en sorte que le commutateur du tiroir reste ouvert. La presse reviendra ainsi à sa position et le compacteur continuera de fonctionner. Essayer de pousser le tiroir vers l'intérieur pour arrêter le compacteur. Le compacteur peut aussi continuer à fonctionner si des débris sont présents dans la zone du tiroir. Un tiroir difficile à manœuvrer peut être causé par un loquet non verrouillé ou par la présence de débris dans la zone du tiroir.

1. Placer le sac plié dans le tiroir. Ouvrir le sac et replier les bords supérieurs du sac sur le bord du tiroir.



2. Immobiliser le sac en engageant les quatre trous prépercés sur les boutons de retenue du sac. Les trous s'agrandiront sur les boutons sans endommager le sac.
3. Presser l'intérieur du sac contre le fond, les côtés et les coins du tiroir, pour qu'il s'adapte bien.



**REMARQUE :** La presse déchirera un sac mal installé.

## ENTRETIEN DU COMPACTEUR

Votre nouveau compacteur est conçu pour vous donner de nombreuses années de service. Toutefois, vous avez quelques mesures à prendre pour entretenir correctement votre compacteur. Cette section vous expliquera comment nettoyer et prendre soin de votre compacteur.

Avant de changer le filtre à air, ouvrir le tiroir et tourner le bouton clé à la position OFF (arrêt) et le retirer.

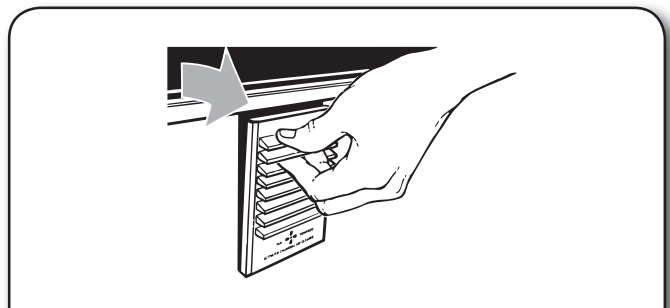
**REMARQUE :** Les entretiens autres que ceux décrits dans cette section doivent être exécutés par un représentant de service autorisé.

### Remplacement du filtre à air

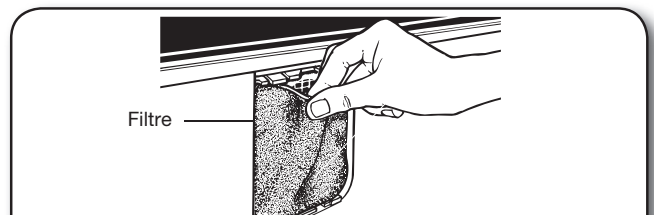
On recommande d'utiliser le filtre à air au charbon situé sous le couvercle du filtre.

Pour commander le bon filtre au charbon de remplacement, composer le numéro sans frais indiqué sur la couverture ou dans la section "Accessoires".

1. Insérer le bout des doigts dans le couvercle du filtre et tirer jusqu'à ce que les languettes sur le côté soient dégagées. Soulever le couvercle pour libérer les languettes du bas.



2. Retirer le filtre à air en tirant sur la partie supérieure du filtre. Le filtre devrait être facile à enlever. Jeter le filtre usagé.



3. Pour placer le filtre à air de remplacement, insérez-le en place.
4. Insérer les languettes du bas du couvercle de filtre à air jusqu'à ce que les languettes de côté s'enclenchent.



## Nettoyage

### ⚠ AVERTISSEMENT



#### Risque de coupure

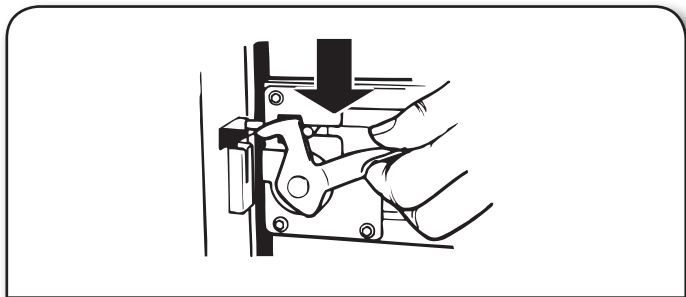
Porter des gants lors du nettoyage de l'intérieur du tiroir ou de l'armoire, ou de la presse.

Le non-respect de cette instruction peut causer des coupures.

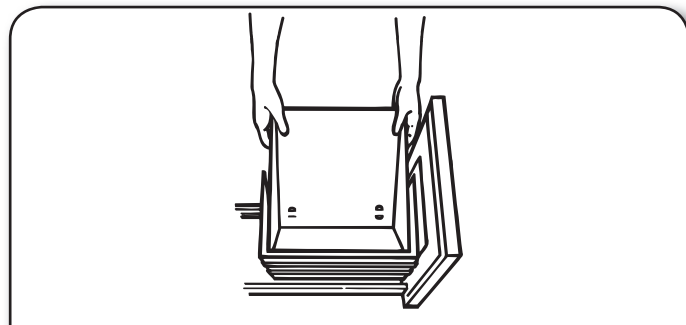
Avant de nettoyer le compacteur, ouvrir le tiroir et tourner le bouton clé à la position OFF (arrêt) et l'enlever.

### Nettoyage de l'intérieur du tiroir

1. Tirer le tiroir vers l'extérieur jusqu'à la butée.
2. Enlever le sac. Voir la section "Enlever un sac rempli".
3. **Facultatif** : Retirer le côté du tiroir. Maintenir le loquet ouvert et incliner le côté du tiroir jusqu'à ce que le loquet dépasse le devant du tiroir.



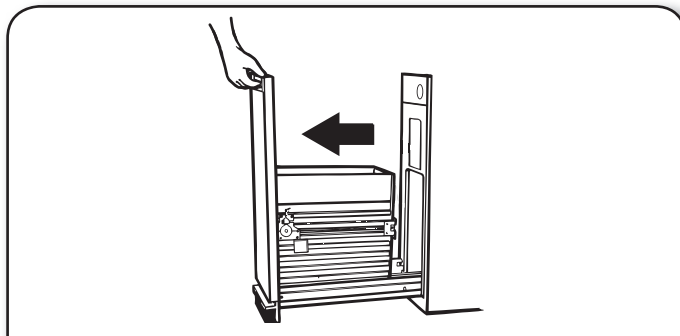
Retirer le côté du tiroir en le soulevant du tiroir.



4. Laver l'intérieur du tiroir avec une éponge propre ou un linge doux et un détergent doux dans de l'eau tiède. Rincer et sécher à fond avec un linge doux.
5. Si le côté du tiroir a été enlevé, le remettre en position inclinée.
6. Abaisser le loquet du tiroir tout en soulevant le côté du tiroir à la position verticale.
7. Verrouiller le côté du tiroir.
8. Fermer le tiroir.

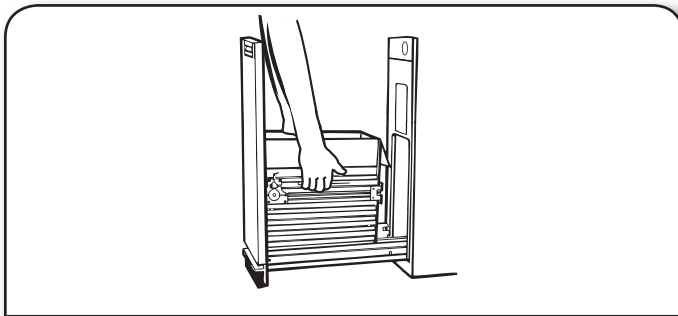
## Nettoyage de l'intérieur de la caisse

1. Retirer le tiroir vers l'extérieur jusqu'à la butée.

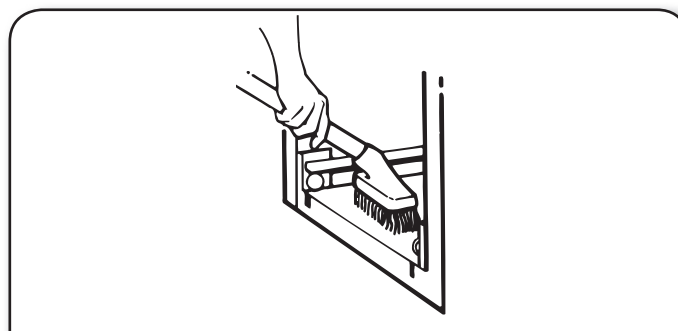


**REMARQUE** : Remarquer comment les roulettes du tiroir se déplacent dans les glissières, les désengager. Il sera plus facile de replacer le tiroir lorsque vous aurez terminé le nettoyage.

2. Soulever le devant du tiroir pour franchir les butées.
3. Saisir la poignée ou les côtés du tiroir et le tirer jusqu'à ce qu'il sorte complètement. Le déposer délicatement.



Passer l'aspirateur à l'intérieur de la caisse. Les liquides renversés ou les déchets humides doivent être nettoyés à la main ou au moyen d'un aspirateur conçu pour aspirer les liquides.



4. Laver l'intérieur de la caisse avec une éponge propre ou un linge doux et un détergent doux dans de l'eau tiède. Rincer et sécher à fond avec un linge doux.
5. Pour replacer le tiroir, le saisir par les côtés et insérer les roulettes sur les glissières.
6. Soulever l'avant du tiroir et le pousser complètement au-delà des butées.

---

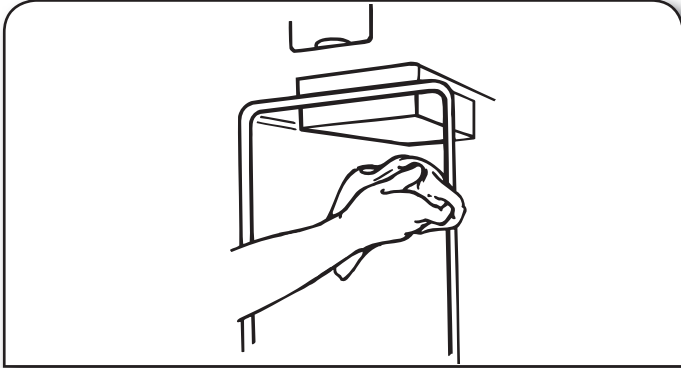
### Nettoyage des surfaces extérieures

1. Laver les surfaces extérieures (y compris l'acier inoxydable) avec une éponge propre ou un linge doux et un détergent doux dans de l'eau tiède. Ne pas utiliser de nettoyants abrasifs ou puissants. Rincer et sécher à fond avec un linge doux.
2. Essuyer les renversements immédiatement. Certains aliments peuvent endommager le fini s'ils sont laissés à la surface du compacteur.

---

### Nettoyage de la presse

1. Enlever les particules de verre en essuyant le dessus de la presse avec un linge ou un essuie-tout. Jeter l'essuie-tout.



2. Enlever les aliments avec une éponge propre ou un linge doux et un détergent doux dans de l'eau tiède. Rincer et sécher à fond avec un linge doux.

---

### Nettoyage avant les vacances

En cas d'absence pendant plus de quelques jours, enlever le sac du compacteur. Enlever le bouton clé et le garder hors de portée des enfants.

## Accessoires

Pour commander, prendre contact avec le revendeur agréé local. Aux É.-U., consulter notre page Web à l'adresse [www.kitchenaid.com](http://www.kitchenaid.com) ou nous contacter au **1 800 422-1230**. Au Canada, consulter notre page Web [www.kitchenaid.ca](http://www.kitchenaid.ca). Ou composer le : **1 800 807-6777**.

#### Sacs de rechange

Paquet de 15 – pièce n° W10165295RP  
Paquet de 60 – pièce n° W10165294RB  
Paquet de 180 – pièce n° W10165295BU

**Filtre à air au charbon** pièce n° 4151750

#### Porte-sacs

pièce n° 776989

---

### Panneaux et poignées :

#### Panneaux

pièce n° W10714558 (acier inoxydable)  
pièce n° W10714559 (blanc)  
pièce n° W10714560 (noir)

#### Poignées :

pièce n° W10483828 (poignée en acier inoxydable)

# DÉPANNAGE

## ⚠ AVERTISSEMENT



### Risque de choc électrique

**Brancher sur une prise de courant à 3 alvéoles, reliée à la terre.**

**Ne pas enlever la prise de liaison à la terre.**

**Ne pas utiliser d'adaptateur.**

**Ne pas utiliser de rallonge.**

**Le non-respect de ces instructions peut causer un décès, un incendie ou un choc électrique.**

Essayer d'abord les solutions suggérées ici afin d'éviter le coût d'une intervention de dépannage inutile.

PROBLÈME	SOLUTION
<b>LE COMPACTEUR NE FONCTIONNE PAS</b>	Vérifier que le cordon d'alimentation est correctement branché sur une prise reliée à la terre. Vérifier le type de prise murale sur laquelle le compacteur est branché. Il est possible que le cordon d'alimentation du compacteur soit branché dans une prise commandée par un interrupteur mural. Cela peut se produire lorsque l'interrupteur mural était destiné à une prise pour broyeur de déchets. Un fusible est grillé ou un disjoncteur s'est déclenché. Remplacer le fusible ou réenclencher le disjoncteur. Si le problème persiste, appeler un électricien. S'assurer que le tiroir est complètement fermé. Ouvrir le tiroir et vérifier que le loquet est verrouillé. Bien fermer le tiroir et mettre le compacteur en marche. S'assurer que le bouton clé est réglé à ON (marche). Voir la section "Mise en marche du compacteur". Appuyer sur le bouton de mise en marche à pédale. Voir la section "Mise en marche du compacteur".
<b>LES DÉCHETS NE SE COMPACTENT PAS</b>	Le tiroir doit être plus qu'à moitié rempli avant que les déchets soient compactés. Le vérin s'arrête à 7" (17,8 cm) du bas du tiroir.
<b>LE TIROIR NE S'OUVRE PAS</b>	Le programme de compression solide peut être activé. Le tiroir reste verrouillé jusqu'à ce que le bouton de mise en marche à pédale soit appuyé. Arrêter le programme de compression solide en appuyant sur l'interrupteur Solide Pack (compression solide) pour le mettre en position OFF (arrêt). Pousser sur le devant du tiroir pour essayer de soulever la presse. Vérifier que le loquet est verrouillé. Appuyer sur le bouton de mise en marche à pédale. Voir la section "Mise en marche du compacteur".

<b>PROBLÈME</b>	<b>SOLUTION</b>
<b>LA COMPRESSION OU LA FORCE N'EST PAS SUFFISANTE</b>	Le compactage est plus efficace lors de l'utilisation du programme de compression solide. Maintenir les déchets compressés pour une période minimum de 30 minutes.
<b>LES BOUTEILLES NE SE BRISENT PAS</b>	Raisons possibles : Les bouteilles ne se brisent pas chaque fois. L'épaisseur du verre de la bouteille et le contenu de la charge de déchets peuvent empêcher le bris des bouteilles.
<b>LE COMPACTEUR NE S'ÉTEINT PAS</b>	Pousser sur l'avant du tiroir pour essayer d'engager le commutateur du tiroir. Ouvrir le tiroir et vérifier que le loquet est verrouillé. Le bouton de mise en marche à pédale peut ne pas être enclenché ou le levier qui pousse l'interrupteur de démarrage peut être plié. Appuyer sur le levier pour arrêter le compacteur. Au besoin, replier le levier à sa position. Des débris dans la zone de tiroir peuvent être la cause du déclenchement de la porte du commutateur du tiroir entraînant le fonctionnement continu du compresseur. Cela peut également empêcher le démarrage du compacteur.
<b>LE TIROIR BUTE SUR L'ARMOIRE</b>	L'ouverture d'encastrement doit être d'au moins 15 1/4" (38,7 cm) avec un dégagement d'au moins 1/8" (3,2 mm) sur chaque côté. Toujours s'assurer que le compacteur est centré dans l'ouverture d'encastrement. Vérifier que le loquet est verrouillé. Un tiroir déverrouillé sera branlant et décalé par rapport au centre. Vérifier qu'il n'y a pas de débris sur les glissières du tiroir ou sous le tiroir. Les débris peuvent faire pencher le tiroir d'un côté ou ne pas se loger correctement sur les glissières. Le compacteur peut être réglé trop haut ou pas de niveau. Le compacteur peut être relevé ou abaissé avec réglage des pieds de nivellement avant. S'assurer que le tiroir est situé sur les glissières. Sinon, retirer le tiroir et le réinstaller.
<b>LE COMPACTEUR SE DÉPLACE PENDANT LE FONCTIONNEMENT</b>	Vérifier que les brides de retenue sont fixées à l'armoire. Consulter les sections "Installation au comptoir" ou "Installation à l'avant de l'armoire".
<b>LE TIROIR EST BRANLANT OU DESSERRÉ</b>	REMARQUE : Selon le modèle, il est normal que le tiroir bouge légèrement d'un côté à l'autre. Un tiroir déverrouillé sera plus branlant que la normale. Vérifier que le loquet du tiroir est en position verrouillé. Les vis sur le devant du tiroir (porte) peuvent être desserrées. À l'aide d'un tournevis à tête cruciforme, vérifier que les vis qui maintiennent la porte du tiroir sont bien fixées.
<b>LE COMPACTEUR EST BRUYANT</b>	Il peut s'agir du bruit de fonctionnement normal : Le compacteur est entraîné par une chaîne et des pignons en acier. Le ventilateur produit un bourdonnement lorsqu'il fonctionne. Mettre l'interrupteur du filtre à air à OFF (arrêt) pour éteindre le ventilateur.

# GARANTIE LIMITÉE DU COMPACTEUR KITCHENAID®

ATTACHEZ ICI VOTRE REÇU DE VENTE. UNE PREUVE D'ACHAT EST OBLIGATOIRE POUR OBTENIR L'APPLICATION DE LA GARANTIE.

Lorsque vous appelez le centre d'expérience de la clientèle, veuillez garder à disposition les renseignements suivants :

- Nom, adresse et numéro de téléphone
- Numéros de modèle et de série
- Une description claire et détaillée du problème rencontré
- Une preuve d'achat incluant le nom et l'adresse du marchand ou du détaillant

## SI VOUS AVEZ BESOIN DE SERVICE :

1. Avant de nous contacter pour obtenir un dépannage, veuillez déterminer si des réparations sont nécessaires pour votre produit. Certains problèmes peuvent être résolus sans intervention de dépannage. Veuillez prendre quelques minutes pour consulter la section Dépannage du Guide d'utilisation et d'entretien ou visitez le site <http://kitchenaid.custhelp.com>.
2. Tout service sous garantie doit être effectué exclusivement par nos fournisseurs de dépannage autorisés KitchenAid. Aux É.-U. et au Canada, dirigez toutes vos demandes de service sous garantie au :

**KitchenAid Customer eXperience Center**

**Aux États-Unis, composez le 1 800 422-1230. Au Canada, composez le 1-800-807-6777.**

Si vous résidez à l'extérieur du Canada et des 50 États des États-Unis, contactez votre marchand KitchenAid autorisé pour déterminer si une autre garantie s'applique.

## GARANTIE LIMITÉE DE UN AN

### CE QUI EST COUVERT

#### GARANTIE LIMITÉE DE UN AN

Pendant un an à compter de la date d'achat, lorsque ce gros appareil ménager est utilisé et entretenu conformément aux instructions jointes à ou fournies avec le produit, KitchenAid ou KitchenAid Canada (ci-après "KitchenAid") paiera pour les pièces spécifiées par l'usine et la main-d'œuvre pour corriger les vices de matériaux ou de fabrication. Le service doit être fourni par une compagnie de service désignée par KitchenAid.

#### GARANTIE LIMITÉE DE 30 JOURS SUR LE FILTRE AU CHARBON ET L'ASSAINISSEUR D'AIR

Durante treinta días desde la fecha de compra, siempre y cuando el compactador se haya instalado, operado y dado un mantenimiento de conformidad con las instrucciones adjuntas o provistas con el mismo, KitchenAid reemplazará el filtro de agua o el desodorante ambiental si el filtro o desodorante ambiental original fallara defectos en los materiales o en la mano de obra.

VOTRE SEUL ET EXCLUSIF RECOURS DANS LE CADRE DE LA PRÉSENTE GARANTIE LIMITÉE CONSISTE EN LA RÉPARATION PRÉVUE CI-DESSUS. Le service doit être fourni par une compagnie de service désignée par KitchenAid. Cette garantie limitée est valide uniquement aux États-Unis ou au Canada et s'applique exclusivement lorsque le gros appareil ménager est utilisé dans le pays où il a été acheté. La présente garantie limitée est valable à compter de la date d'achat initial par le consommateur. Une preuve de la date d'achat initial est exigée pour obtenir un dépannage dans le cadre de la présente garantie limitée.

### CE QUI N'EST PAS COUVERT

1. Usage commercial, non résidentiel ou par plusieurs familles, ou non-respect des instructions de l'utilisateur, de l'opérateur ou des instructions d'installation.
2. Visite d'instruction à domicile pour montrer à l'utilisateur comment utiliser l'appareil.
3. Visites de service pour rectifier une installation ou un entretien fautifs du produit, une installation non conforme aux codes d'électricité ou de plomberie, ou la rectification de l'installation électrique ou de la plomberie du domicile (p. ex., câblage électrique, fusibles ou tuyaux d'arrivée d'eau du domicile).
4. Pièces consommables (p. ex. : ampoules, batteries, filtres à air ou à eau, solutions de conservation, etc.).
5. Défauts ou dommage résultant de l'utilisation de pièces ou accessoires qui ne sont pas d'origine KitchenAid.
6. Dommages causés par : accident, mésusage, abus, incendie, inondations, catastrophe naturelle ou l'utilisation de produits non approuvés par KitchenAid.
7. Réparations aux pièces ou systèmes dans le but de rectifier un dommage ou des défauts résultant d'une réparation, d'une altération ou d'une modification non autorisée de l'appareil.
8. Défauts d'apparence, notamment les éraflures, traces de choc, fissures ou tout autre dommage subi par le fini de l'appareil ménager, à moins que ces dommages ne résultent de vices de matériaux ou de fabrication et ne soient signalés à KitchenAid dans les 30 jours.
9. Décoloration, rouille ou oxydation des surfaces résultant d'environnements caustiques ou corrosifs incluant des concentrations élevées de sel, un haut degré d'humidité ou une exposition à des produits chimiques (exemples non exhaustifs).
10. Enlèvement ou livraison. Ce produit est conçu uniquement pour être réparé à l'intérieur du domicile.
11. Frais de déplacement et de transport pour le dépannage/la réparation dans une région éloignée où une compagnie de service KitchenAid autorisée n'est pas disponible.
12. Retrait ou réinstallation d'appareils inaccessibles ou de dispositifs préinstallés (ex : garnitures, panneaux décoratifs, plancher, meubles, îlots de cuisine, plans de travail, panneaux de gypse, etc.) qui entravent le dépannage, le retrait ou le remplacement du produit.
13. Service et pièces pour des appareils dont les numéros de série et de modèle originaux ont été enlevés, modifiés ou ne peuvent pas être facilement identifiés.

**Le coût d'une réparation ou d'un remplacement dans le cadre de ces circonstances exclues est à la charge du client.**

## CLAUSE D'EXONÉRATION DE RESPONSABILITÉ AU TITRE DES GARANTIES IMPLICITES

LES GARANTIES IMPLICITES, Y COMPRIS LES GARANTIES APPLICABLES DE QUALITÉ MARCHANDE OU D'APTITUDE À UN USAGE PARTICULIER, SONT LIMITÉES À UN AN OU À LA PLUS COURTE PÉRIODE AUTORISÉE PAR LA LOI. Certains États et certaines provinces ne permettent pas de limitation sur la durée des garanties implicites de qualité marchande ou d'aptitude à un usage particulier, de sorte que la limitation ci-dessus peut ne pas être applicable dans votre cas. Cette garantie vous confère des droits juridiques spécifiques et vous pouvez également jouir d'autres droits qui peuvent varier d'une juridiction à l'autre.

## EXONÉRATION DE RESPONSABILITÉ DANS LES DOMAINES NON COUVERTS PAR LA GARANTIE

KitchenAid décline toute responsabilité au titre de la qualité, de la durabilité ou en cas de dépannage ou de réparation nécessaire sur ce gros appareil ménager autre que les responsabilités énoncées dans la présente garantie. Si vous souhaitez une garantie plus étendue ou plus complète que la garantie limitée fournie avec ce gros appareil ménager, adressez-vous à KitchenAid ou à votre détaillant pour obtenir les modalités d'achat d'une garantie étendue.

## LIMITATION DES RECOURS ; EXCLUSION DES DOMMAGES FORTUITS OU INDIRECTS

VOTRE SEUL ET EXCLUSIF RECOURS DANS LE CADRE DE LA PRÉSENTE GARANTIE LIMITÉE CONSISTE EN LA RÉPARATION PRÉVUE CI-DESSUS. KITCHENAID N'ASSUME AUCUNE RESPONSABILITÉ POUR LES DOMMAGES FORTUITS OU INDIRECTS. Certains États et certaines provinces ne permettent pas l'exclusion ou la limitation des dommages fortuits ou indirects de sorte que ces limitations et exclusions peuvent ne pas être applicables dans votre cas. Cette garantie vous confère des droits juridiques spécifiques et vous pouvez également jouir d'autres droits qui peuvent varier d'une juridiction à l'autre.

# REMARQUES

