

Stainless Steel Tub Dishwasher with Third Level Rack

WDT970SAHV

Available Finishes/Colours

Dimensions	
Depth	24 1/2
Height	34 1/2
Width	23 7/8

Controls	
Status Light	White
Control Type	Electronic Touch

Configuration and Overview	
Dishwasher Type	Built-In
Decibel Level dBA	47
Decibel Level (dBA)	47

Compatibility	
Connectivity	No
Works With	No

Find room for your dishes with this stainless steel dishwasher. Take advantage of 37% more rack space with the third level rack, then choose the Sensor cycle and let your dishwasher pick the right cycle for you. Get an even better clean with the TotalCoverage spray arm and finish up with dry dishes thanks to the stainless steel tub.

Controls	
Automatic Temperature Controls	Yes
Last Cycle Recall	Yes
Control Location	Hidden, Top
Sensor	Yes

Misc.	
Accessory Relationships	Yes
Home Delivery	Yes
Will Call	Yes

- Top Features**
- Third level rack
- Sensor cycle
- TotalCoverage spray arm

Features	
Rinse Aid Dispenser Level Indicator	Yes
Number of Wash Levels	3
Dispensers	Detergent and Rinse Aid

Manuals & Literature:

- [Dimension Guide](#)
- [Energy Guide](#)
- [Installation Guide](#)
- [Owner Manual](#)
- [Warranty Information](#)



Undercounter Dishwasher

PRODUCT MODEL NUMBERS

WDF560SAF
 WDF760SAD
 WDF770SAF
 WDT750SAH
 WDT755SAH
 WDT780SAE
 WDT920SAD

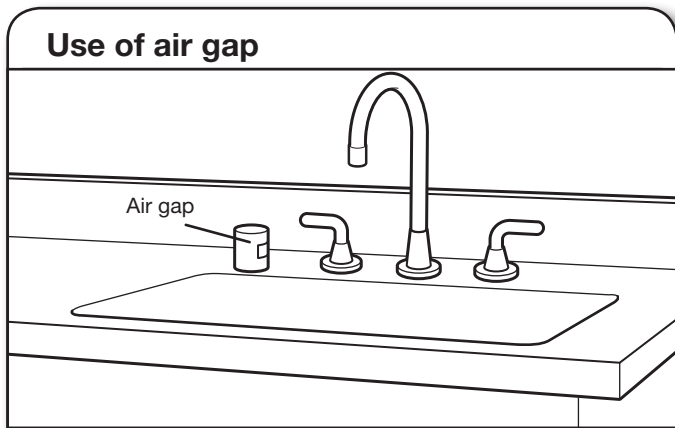
WDT970SAH
 WDT975SAH
 WDT995SAF
 WDTA50SAH
 WDTA55SAH
 WDTA75SAH

DRAIN REQUIREMENTS

- A new drain hose is supplied with your dishwasher. If drain hose is not long enough, use a new drain hose with a maximum length of 12 ft (3.7 m) that meets all current AHAM/IAPMO test standards, is resistant to heat and detergent, and fits the 1" (25 mm) drain connector of the dishwasher.

NOTE: Do not connect multiple drain hoses together.

- Make sure to connect drain hose to waste tee or disposer inlet above drain trap in house plumbing and 20" (508 mm) minimum above the floor. It is recommended that the drain hose either be looped up and securely fastened to the underside of the counter or be connected to an air gap.
- Make sure to use an air gap if the drain hose is connected to house plumbing lower than 20" (508 mm) above subfloor or floor.



- If required, the air gap should be installed in accordance with the air gap installation instructions. When you are connecting the air gap, a rubber hose (not provided) will be needed to connect to the waste tee or disposer inlet.
- Use 1/2" minimum I.D. drain line fittings.

WATER SUPPLY REQUIREMENTS

- This dishwasher has a water heating feature and also requires a connection to a hot water supply line.
- A hot water line with 20 to 120 psi (138 to 862 kPa) water pressure can be verified by a licensed plumber.
- 120°F (49°C) water at dishwasher
- 3/8" O.D. copper tubing with compression fitting or flexible braided water supply line. See the "Tools and Parts" section at the front of the guide for part details and orders.

NOTE: 1/2" minimum plastic tubing is not recommended.

- A 90° elbow with 3/4" hose connection with rubber washer.
- Do not solder within 6" (152 mm) of the water inlet valve.
- If installed in new construction, make sure the house water supply lines have been flushed prior to connecting the dishwasher to remove any debris that may exist in the supply line.

NOTE: If replacing an existing dishwasher, it is recommended to install a new water line (see the "Tools and Parts" section at the front of the guide for part details) and drain hose (supplied) with the new dishwasher.

ELECTRICAL REQUIREMENTS

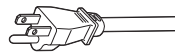
- 120-volt, 60 Hz, AC-only, 15- or 20-amp, fused electrical supply
- Copper wire only
- A maximum of 2 field wiring supply conductors (12 AWG largest size) plus 1 grounding conductor are permitted in the terminal box.

We Recommend:

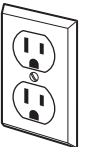
- A time-delay fuse or circuit breaker
- A separate circuit

If Connecting Dishwasher with a Power Cord:

- Use UL Listed power cord kit marked for use with dishwasher. See the "Tools and Parts" section at the front of the guide for part details and orders.



- Plug into a grounded 3 prong outlet. Outlet must meet all local codes and ordinances.

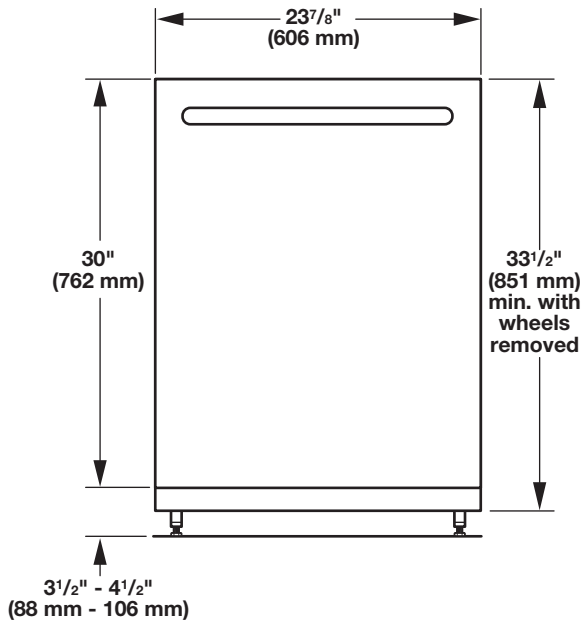


If Connecting Dishwasher with Direct Wiring:

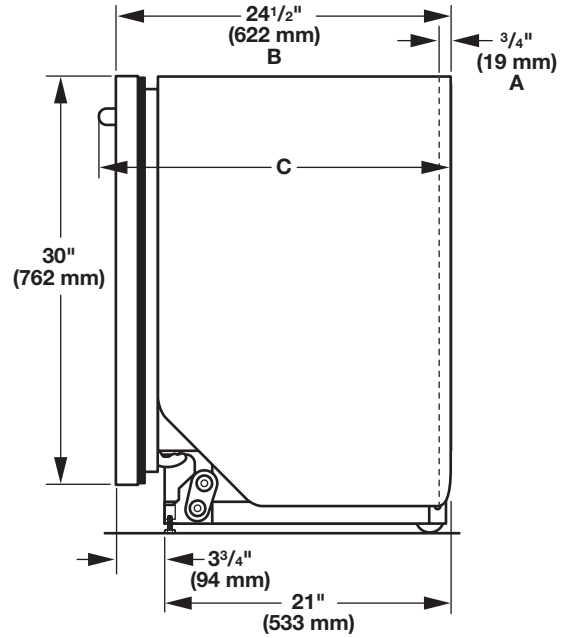
- Use flexible, armored, or nonmetallic sheathed copper wire with grounding wire that meets the wiring requirements for your home and local codes and ordinances.
- Use a UL Listed/CSA Approved metallic strain relief. See the "Tools and Parts" section at the front of the guide for part details and orders.



Product and Cabinet Opening Dimensions

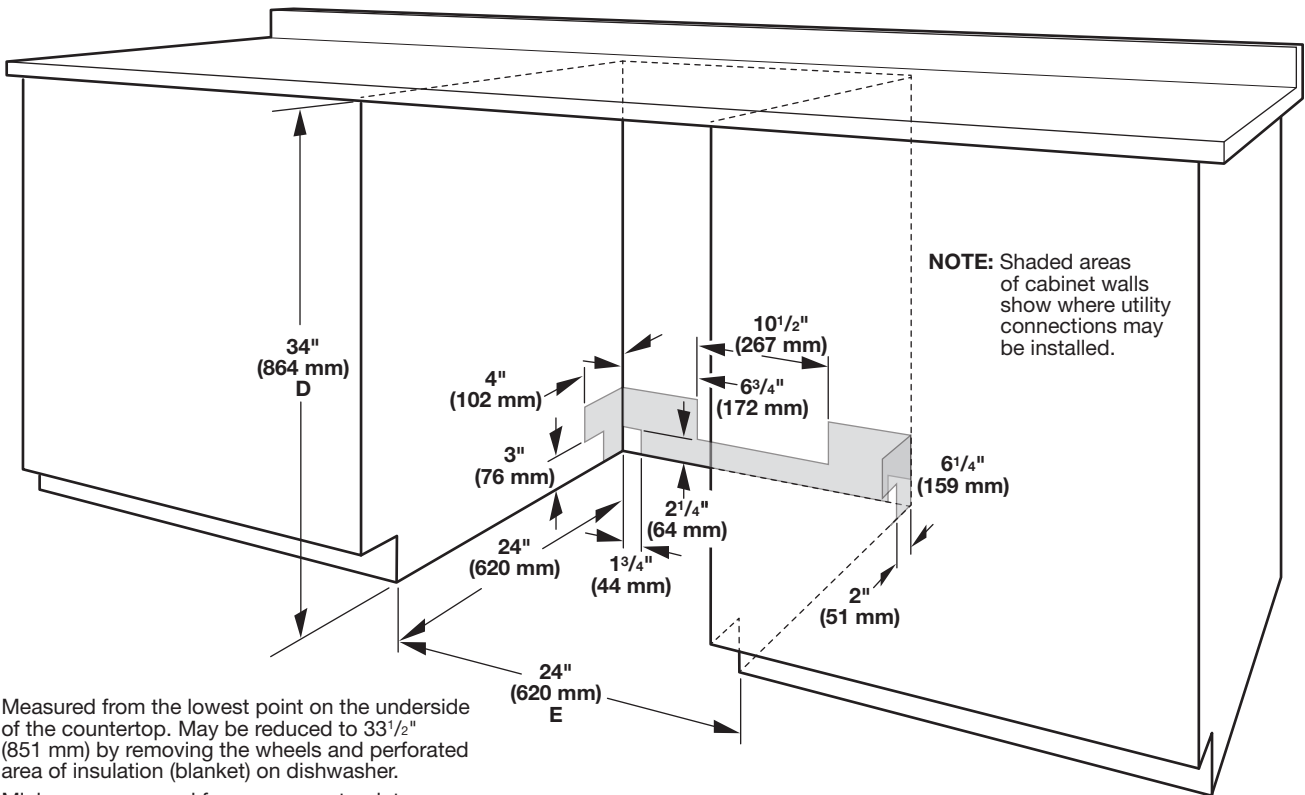


For 4" (100 mm) toe kick, height of cabinet opening is 34¹/₂" (863 mm).



- A. Insulation may be compressed (not used on all models).
- B. For panel-ready models, dishwasher depth is 24" (610 mm), not including the 3/4" (19 mm) custom door panel.
- C. Door handles may protrude forward of the face of the dishwasher, varies by model.

Check that all surfaces have no protrusions that would prohibit dishwasher installation.



D. Measured from the lowest point on the underside of the countertop. May be reduced to 33¹/₂" (851 mm) by removing the wheels and perforated area of insulation (blanket) on dishwasher.

E. Minimum, measured from narrowest point of opening