

MICROWAVE HOOD COMBINATION INSTALLATION INSTRUCTIONS

INSTRUCTIONS D'UTILISATION DE L'ENSEMBLE HOTTE/FOUR À MICRO-ONDES

This product is suitable for use above electric or gas cooking products up to and including 36" (91.4 cm) wide. See the "Installation Requirements" section for further notes.

These installation instructions cover different models. The appearance of your particular model may differ slightly from the illustration in these installation instructions.

Ce produit peut être installé au-dessus de produits de cuisson électriques ou au gaz d'une largeur maximale de 36 po (91,4 cm). Voir la section « Exigences d'installation » pour plus de renseignements.

Ces instructions d'installation couvrent plusieurs modèles. L'apparence de votre modèle peut différer légèrement des illustrations présentes dans ces instructions d'installation.

Table of Contents / Table des matières

MICROWAVE HOOD COMBINATION SAFETY	2	SÉCURITÉ DE L'ENSEMBLE HOTTE/FOUR À MICRO-ONDES	14
INSTALLATION REQUIREMENTS	3	EXIGENCES D'INSTALLATION	15
Tools and Parts.....	3	Outils et pièces.....	15
Location Requirements	3	Exigences d'emplacement.....	15
Product Dimensions.....	4	Dimensions du produit.....	16
Electrical Requirements	4	Spécifications électriques.....	16
INSTALLATION INSTRUCTIONS	5	INSTRUCTIONS D'INSTALLATION	17
Wall Venting Installation Only	5	Installation avec décharge murale uniquement.....	17
Install Damper Assembly (for wall venting only).....	5	Installation du registre (pour décharge à travers le mur uniquement).....	17
Roof Venting Installation Only	5	Pour une installation avec décharge à travers le toit seulement.....	17
Install Damper Assembly (for roof venting only).....	6	Installation de l'ensemble de registre (pour décharge à travers le toit uniquement).....	18
Vent Cover Installation (for both wall and upper vent installation).....	6	Installation du couvercle d'évent (pour évent mural et supérieur).....	18
Locate Wall Stud(s)	6	Identification de la position des montants de cloison.....	18
Prepare Upper Cabinet	8	Préparation de l'armoire supérieure.....	20
Mark Rear Wall.....	9	Tracé sur le mur arrière	21
Drill Holes in Rear Wall.....	9	Perçage de trous dans le mur arrière.....	21
Attach Mounting Plate to Wall	10	Fixation de la plaque de montage au mur.....	22
Install the Microwave Oven.....	10	Installation du four à micro-ondes	23
Complete Installation	11	Terminer l'installation.....	24
VENTING DESIGN SPECIFICATIONS	12	SPÉCIFICATIONS/CONCEPTION DU CIRCUIT D'ÉVACUATION	25
ASSISTANCE	13	ASSISTANCE	27
Replacement Parts.....	13	Pièces de rechange.....	27



W11424575B

MICROWAVE HOOD COMBINATION SAFETY

Your safety and the safety of others are very important.

We have provided many important safety messages in this manual and on your appliance. Always read and obey all safety messages.



This is the safety alert symbol.

This symbol alerts you to potential hazards that can kill or hurt you and others.

All safety messages will follow the safety alert symbol and either the word "DANGER" or "WARNING."

These words mean:

! DANGER

You can be killed or seriously injured if you don't immediately follow instructions.

! WARNING

You can be killed or seriously injured if you don't follow instructions.

All safety messages will tell you what the potential hazard is, tell you how to reduce the chance of injury, and tell you what can happen if the instructions are not followed.

INSTALLATION REQUIREMENTS

Tools and Parts

Tools needed

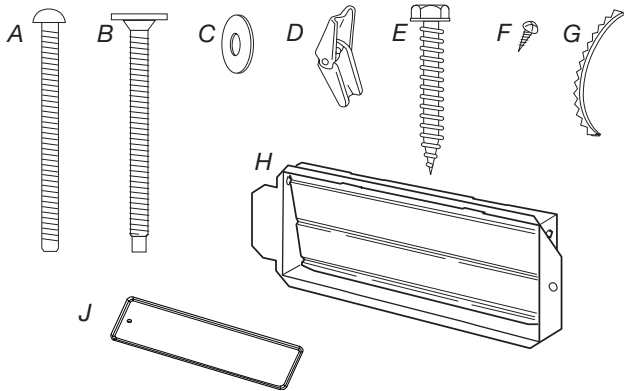
Gather the required tools and parts before starting installation. Read and follow the instructions provided with any tools listed here.

- Measuring tape
- Pencil
- Masking tape or thumbtacks
- Scissors
- No. 3 Phillips screwdriver for 1/4 - 20 x 3" (7.6 cm) bolts
- Drill
- 3/16" (5 mm), 3/8" (9.5 mm), 5/8" (1.6 cm) drill bits
- 3/4" (1.9 cm) hole saw
- Diagonal wire cutting pliers
- Stud finder
- 7/16" (1.1 cm) socket wrench (or box wrench) for 1/4" x 2" (0.6 cm x 5.1 cm) lag screws
- 1½" (3.8 cm) diam. hole drill bit for wood or metal cabinet
- Keyhole saw
- Caulking gun and weatherproof caulking compound
- Duct tape

Parts supplied

For information on reordering, see the "Replacement Parts" section.

NOTE: The hardware items listed here are for wood studs. For other types of wall structures, be sure to use appropriate fasteners.



- A. 3/16 - 24 x 3" (7.6 cm) round-head bolts (2)
- B. 1/4 - 20 x 3" (7.6 cm) flat-head bolts (2)
- C. Washers (2)
- D. 3/16" (4.8 mm) toggle nuts (2)
- E. 1/4" x 2" (0.6 cm x 5.1 cm) lag screws (2)
- F. Sheet metal screws 5/32" x 5/16" (0.4 cm x 0.8 cm) (2)
- G. Power supply cord bushing (1)
- H. Damper assembly (for wall or roof venting)
- J. Exhaust vent cover (2)

Not Shown:

- Mounting plate (Located on the upper polyfoam)
- Grease filters
- Charcoal filters

NOTE: Depending on model, grease filter and charcoal filter may be combined.

Materials Needed

Standard fittings for wall or roof venting. See the "Venting Design Specifications" section.

Location Requirements

IMPORTANT: Check the opening where the microwave oven will be installed. The location must provide:

- Minimum installation dimensions. See the "Installation Dimensions" illustration.
- Minimum one 2" x 4" (5.1 cm x 10.2 cm) wood wall stud and minimum 3/8" (9.5 mm) thickness drywall or plaster/lath within cabinet opening.
- Support for weight of 150 lbs (68 kg) which includes microwave oven and items placed inside the microwave oven and upper cabinet.
- Grounded electrical outlet inside upper cabinet. See the "Electrical Requirements" section.

NOTE: Some cabinet and building materials are not designed to withstand the heat produced by the microwave oven for cooking. Check with your builder or cabinet supplier to make sure that the materials used will not discolor, delaminate, or sustain other damages.

Special Requirements

For Wall Venting Installation Only:

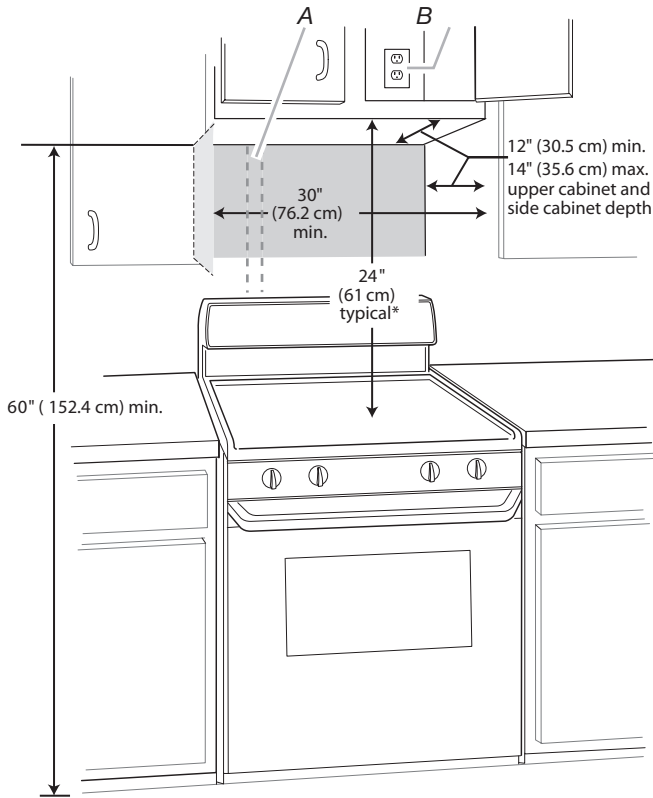
- Cutout must be free of any obstructions so that the vent fits properly and the damper blade opens freely and fully.

For Roof Venting Installation Only:

- If you are using a rectangular-to-round transition piece, the 3" (7.6 cm) clearance needs to exist above the microwave oven so that the damper blade can open freely and fully. See "Rectangular to Round Transition" illustration in the "Venting Design Specifications" section.

Installation Dimensions

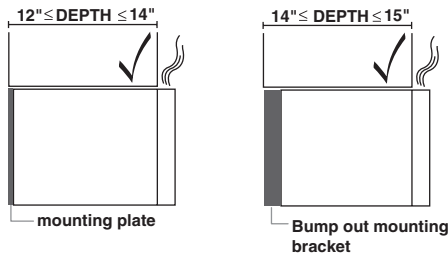
NOTE: The grounded 3 prong outlet must be inside the upper cabinet. See the “Electrical Requirements” section.



A. 2" x 4" (5.1 cm x 10.1 cm) wall stud
B. Grounded 3 prong outlet

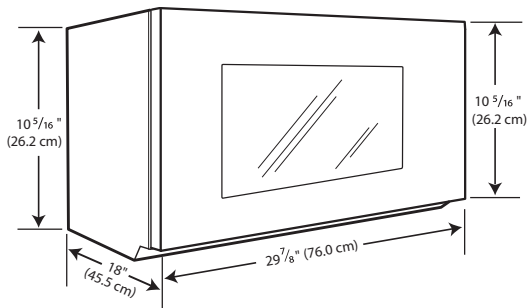
*24" (61 cm) is typical for 60" (152.4 cm) installation height exact dimensions may vary depending on type of range/cooktop below.

NOTE: To ensure good performance, do not obstruct top vent airflow. If cabinets are deeper than 14" (35.6 cm) but no more than 15" (38.1 cm), use the bump out mounting kit replacing the mounting plate from the wall. The bump out mounting kit (part # W11185746) is not provided but can be purchased from Whirlpool.



Product Dimensions

*Overall depth of product will vary slightly depending on door design.



Electrical Requirements

⚠ WARNING



Electrical Shock Hazard

Plug into a grounded 3 prong outlet.

Do not remove ground prong.

Do not use an adapter.

Do not use an extension cord.

Failure to follow these instructions can result in death, fire, or electrical shock.

Observe all governing codes and ordinances.

Required:

- A 120 V, 60 Hz, AC only, 15 A or 20 A electrical supply with a fuse or circuit breaker

Recommended:

- A time-delay fuse or time-delay circuit breaker
- A separate circuit serving only this microwave oven

GROUNDING INSTRUCTIONS

■ For all cord connected appliances:

The microwave oven must be grounded. In the event of an electrical short circuit, grounding reduces the risk of electric shock by providing an escape wire for the electric current. The microwave oven is equipped with a cord having a grounding wire with a grounding plug. The plug must be plugged into an outlet that is properly installed and grounded.

WARNING: Improper use of the grounding plug can result in a risk of electric shock. Consult a qualified electrician or serviceman if the grounding instructions are not completely understood, or if doubt exists as to whether the microwave oven is properly grounded.

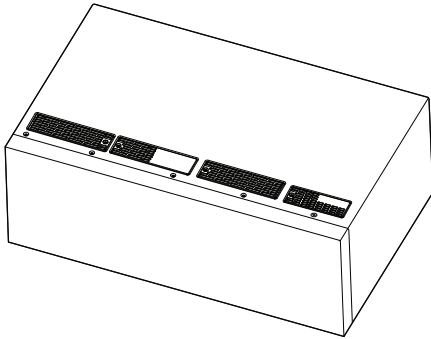
Do not use an extension cord. If the power supply cord is too short, have a qualified electrician or serviceman install an outlet near the microwave oven.

SAVE THESE INSTRUCTIONS

INSTALLATION INSTRUCTIONS

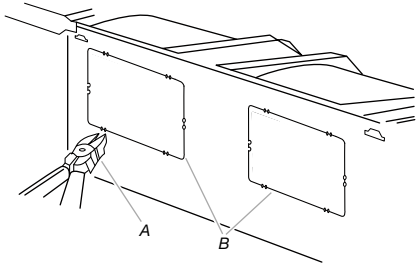
The Microwave oven is set for recirculation installation. For wall or roof venting, changes must be made to the venting system.

NOTE: Skip below sections if you are using recirculation installations. Go to section "Locate Wall Stud(s)". Keep the damper assembly in case the venting method is changed or the microwave oven is reinstalled in another location where wall or roof venting may be used.



Wall Venting Installation Only

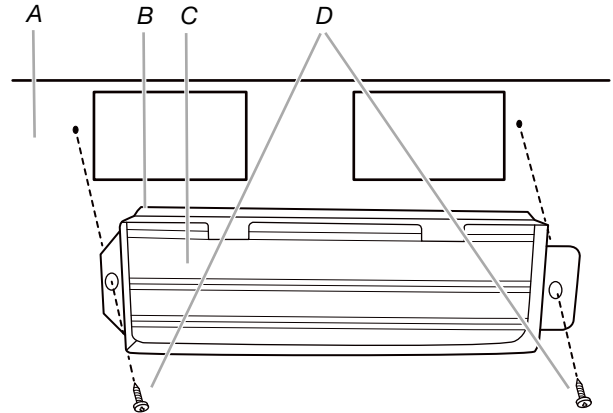
1. Using diagonal wire cutting pliers, gently snip out the rectangular vent covers on the damper plate.



A. Diagonal wire cutting pliers
B. Damper vent covers

Install Damper Assembly (for wall venting only)

1. Check that damper blade moves freely, and opens fully.
2. Position the damper assembly on the back of the microwave oven so that the damper blade hinge is at the top, and the damper blade opens away from the microwave oven.

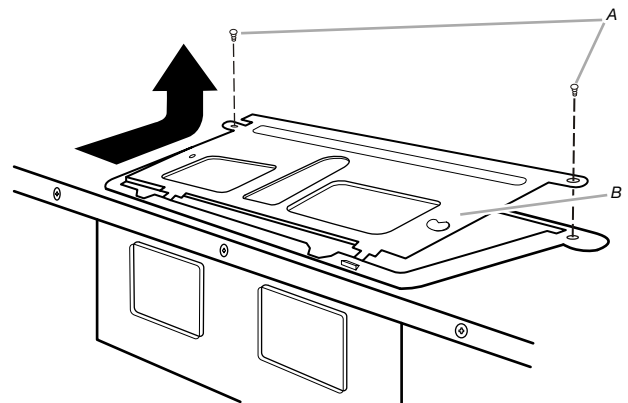


A. Back of microwave oven
B. Damper assembly
C. Damper blade
D. Sheet metal screw 5/32" x 5/16" (4 mm x 8 mm)

3. Secure damper assembly with two sheet metal screws 5/32" x 5/16" (4 mm x 8 mm).

Roof Venting Installation Only

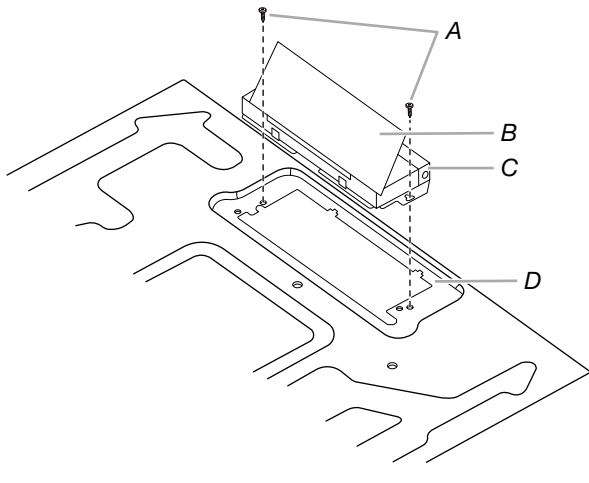
1. Remove screws attaching damper plate to top of microwave oven exterior. Slide damper plate toward the front of the microwave oven and lift up.



A. Screws
B. Damper plate

Install Damper Assembly (for roof venting only)

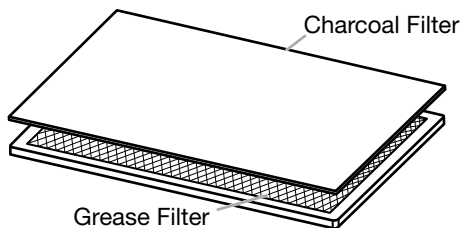
1. Check that damper blade moves freely, and opens fully.
2. Position the damper assembly on the top of microwave oven so that the damper blade hinge is at the top, and the damper blade opens away from the microwave oven.



- A. Screws
- B. Damper blade
- C. Damper assembly
- D. Top of the microwave oven

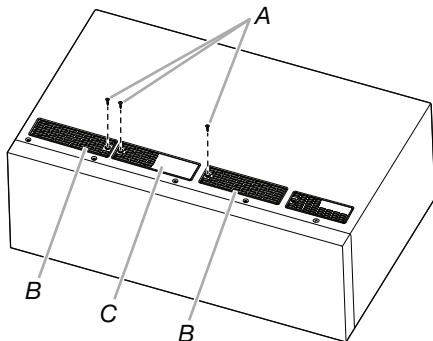
3. Secure damper assembly with two sheet metal screws 5/32" x 5/16" (4 mm x 8 mm).

NOTE: To ensure good performance of airflow, for Wall and Roof venting, remove the charcoal filter from the bottom plate before operating the microwave oven.



Vent Cover Installation (for both wall and upper vent installation)

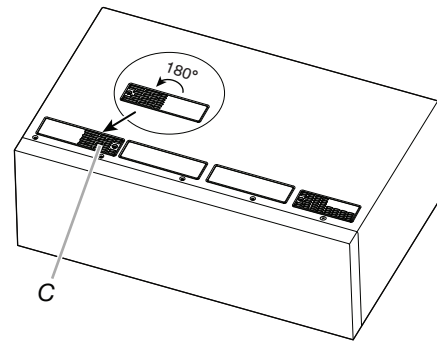
1. Remove screws attaching B and C covers. Slide them out. Keep cover C for use in Step 2.



- A. Screw
- B. Recirculation vent covers
- C. Recirculation lighting cover

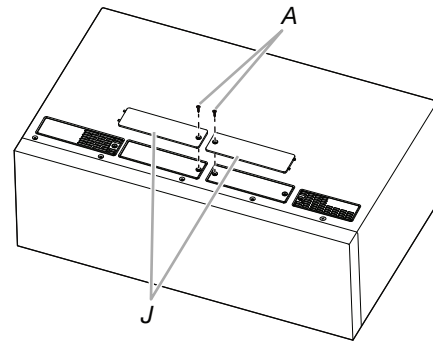
NOTE: Keep B for future recirculation vent installation.

2. Rotate C 180 degrees, place it as shown below.



C. Recirculation lighting cover

3. Take J from packaging upper foam (see item J in "Parts Supplied" section), attach both of them as shown below with screw removed from step 1.



- A. Screws
- J. Exhaust vent covers

Locate Wall Stud(s)

NOTE: If no wall studs exist within the cabinet opening, do not install the microwave oven.

See illustrations in "Possible Wall Stud Configurations."

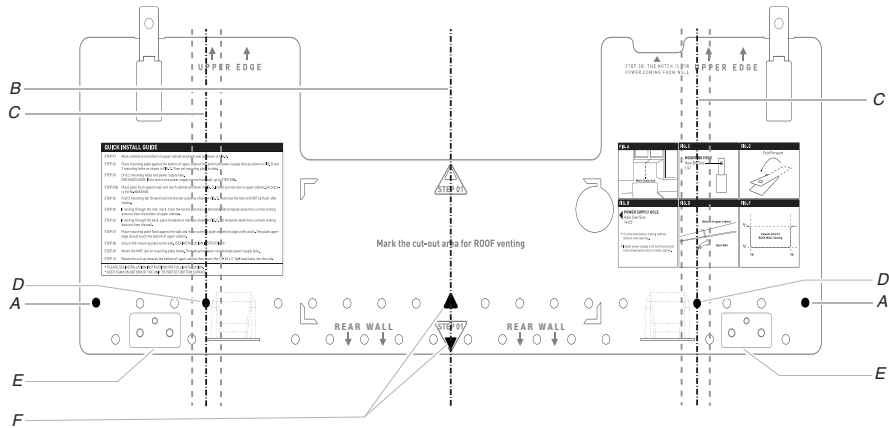
1. Using a stud finder, locate the edges of the wall stud(s) within the opening.
2. Mark the center of each stud and draw a plumb line down each stud center. See illustrations in "Possible Wall Stud Configurations."

Possible Wall Stud Configurations

These depictions show examples of preferred installation configurations with the mounting plate.

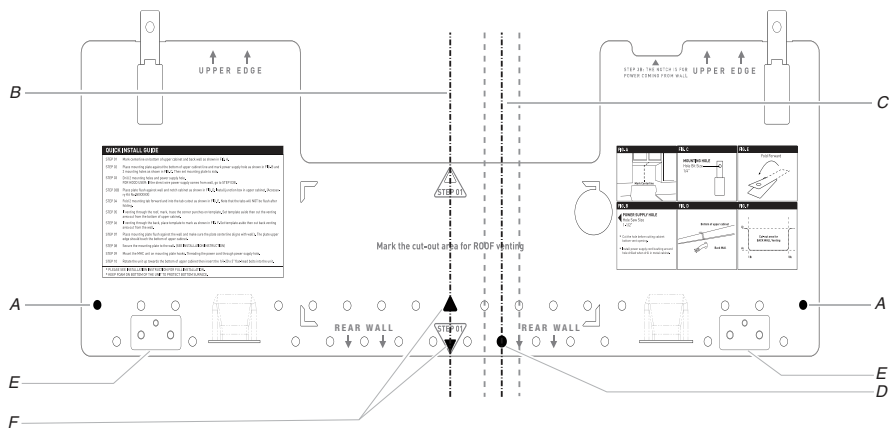
No Wall Studs at End Holes

Figure 1



No Wall Studs at End Holes

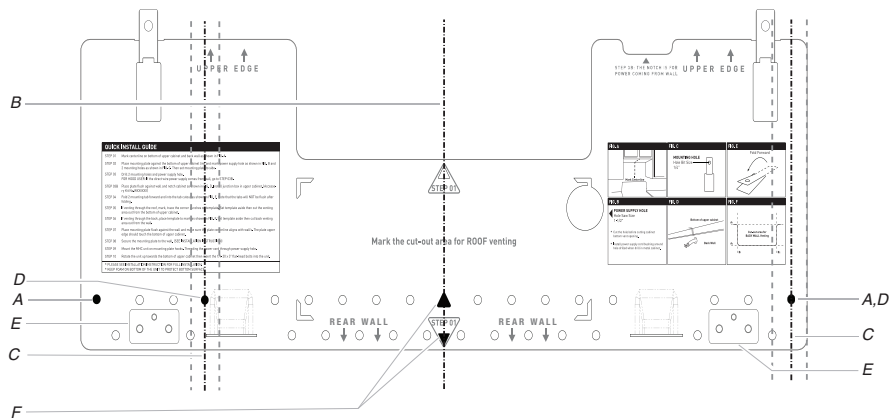
Figure 2



NOTE: If wall studs is within 6" (15.2 cm) of the vertical centerline (see "Mark Rear Wall" section), only recirculation or roof venting installation can be done.

Wall Studs at End Holes

Figure 3



A. End holes (on mounting plate)

B. Cabinet opening vertical centerline

C. Wall stud centerlines

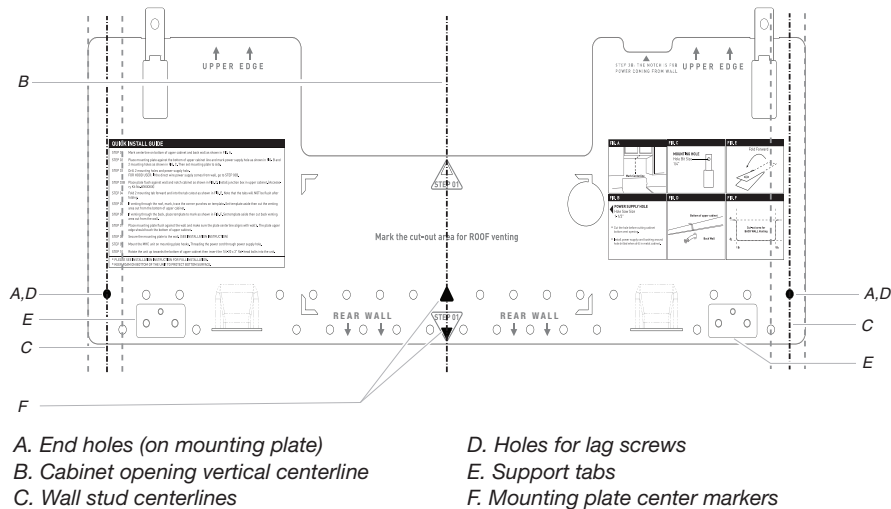
D. Holes for lag screws

E. Support tabs

F. Mounting plate center markers

Wall Studs at End Holes

Figure 4



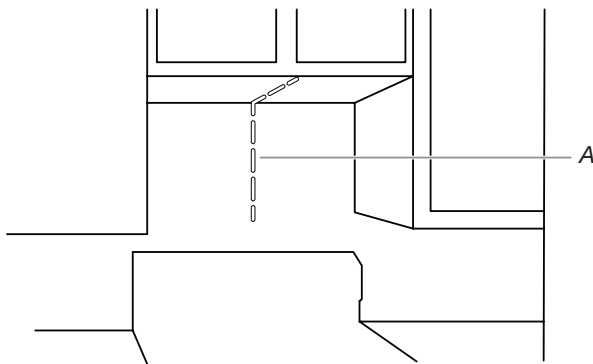
Prepare Upper Cabinet

You can find the quick reference guide direct from the mounting plate marking, or use this installation guide for installation. See below install steps:

1. Disconnect power to outlet.
2. Remove all contents from upper cabinet.
3. Mark centerline on bottom of upper cabinet. Place mounting plate against the bottom of the upper cabinet. Make sure the mounting plate centerline aligns with the vertical centerline on the rear wall.

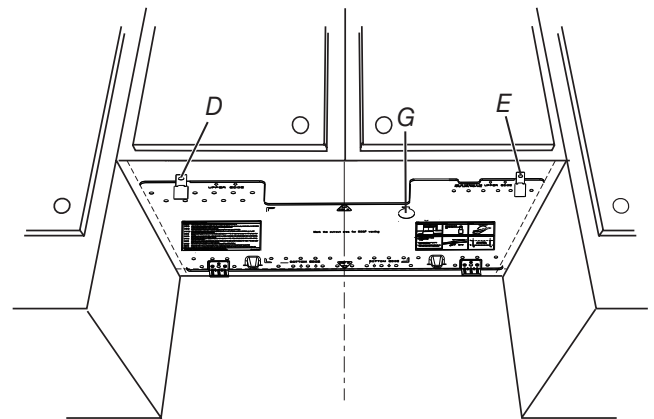
The "Rear wall" arrows must be against the rear wall so that the holes cut into the upper cabinet align with the holes in the top of the microwave oven.

NOTE: If the wall behind the microwave oven (as installed) has a partial wall covering (for example, tiled wall), be sure the "Rear Wall" arrows align to the thickest part of the rear wall (for example, to the tiles, rather than the drywall).

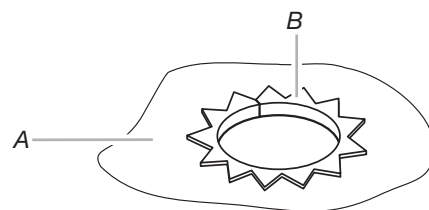


A. Centerline

4. Place mounting plate against the bottom of upper cabinet line and mark power supply hole "G" and 2 mounting holes "D" and "E" as shown in following figure. Make sure the 10³/₄" (27.3 cm) dimension from the rear wall to "D" and "E" on the mounting plate is maintained. And 1¹/₂" (3.8 cm) diameter for "G" hole. Then cut the holes of "D", "E" and "G".



NOTE: If upper cabinet is metal, the supply cord bushing needs to be installed around the supply cord hole as shown.



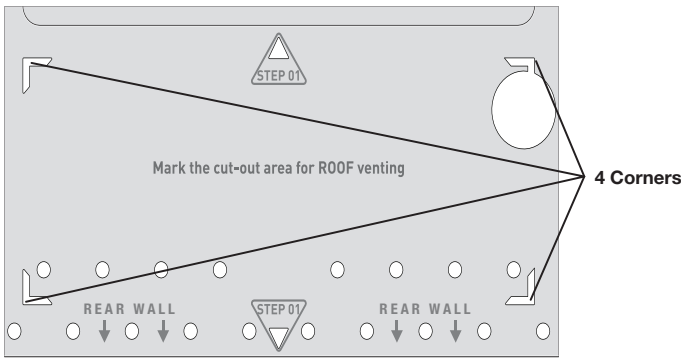
A. Metal cabinet
 B. Power supply cord bushing

5. Drill 3/8" (9.5 mm) holes at points "D" and "E" on the mounting plate. These are for two 1/4" - 20 x 3" (7.6 cm) bolts and washers used to secure the microwave oven to the upper cabinet.

NOTE: If replacing a range hood that has the direct wire power supply coming from the wall, install outlet box accessory kit in upper cabinet. The Outlet Box Kit (part #W11082816) is not provided but can be purchased from Whirlpool.

Roof Venting Installation Only

If venting through the roof, mark and trace the corner punches on the mounting plate. Set mounting plate aside, cut the venting area out from the bottom of the upper cabinet using a keyhole saw.

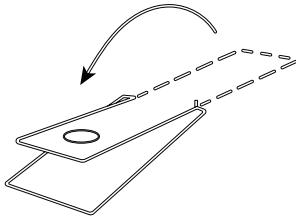


Mark Rear Wall

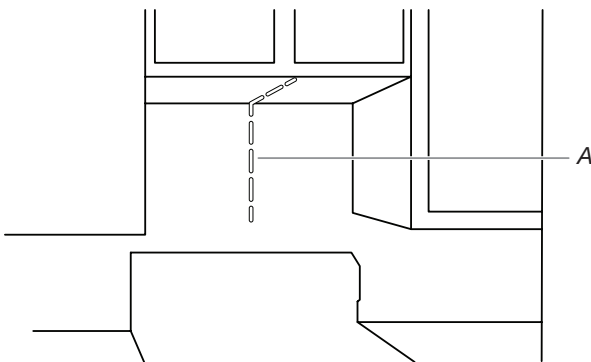
The microwave oven must be installed on a minimum of 1 wall stud, preferably 2, using a minimum of 1 lag screw, preferably 2.

1. Fold 2 mounting tabs forward into the tab cutout. Note that the tabs will NOT be flush after folding.

Fold Forward



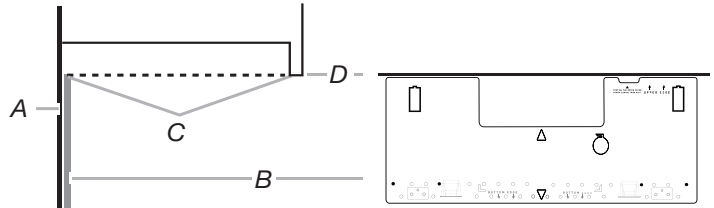
2. Mark centerline on the back wall. Place mounting plate against the back wall, find and clearly mark the vertical centerline of the opening.



A. Centerline

3. Align the center markers on the mounting plate to the centerline of the wall. Make sure it is leveled and top of the mounting plate is butted up against the bottom edge of the upper cabinet.

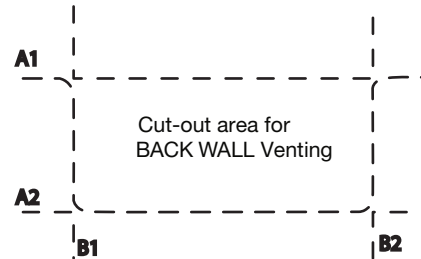
NOTE: If the front edge of the upper cabinet is lower than the back edge, lower the mounting plate so that its top is leveled with the front edge of the cabinet.



- A. Rear wall
 B. Mounting plate
 C. Top of mounting plate must align with front edge of cabinet
 D. Front edge of upper cabinet

Wall Venting Installation Only

4. If venting through the wall, place mounting plate on the wall and mark the cut-out area. Set mounting plate aside, then using a keyhole saw, cut out hole in the wall at back venting area.



Drill Holes in Rear Wall

In addition to being installed on at least 1 wall stud, the mounting plate must attach to the wall at both end holes. If the end holes are not over wall studs, use two 3/16-24 x 3" (7.6 cm) round head bolts with toggle nuts; if 1 end hole is over a wall stud, use 1 lag screw and one 3/16-24 x 3" (7.6 cm) round-head bolt with toggle nut; or if both end holes are over wall studs, use 2 lag screws. Following are 3 installation configurations.

Installation for No Wall Studs at End Holes (Figures 1 and 2)

1. Drill 5/8" (1.6 cm) holes through the wall at both end holes marked in Step 3 of "Mark Rear Wall."
2. Drill 3/16" (5 mm) hole(s) into the wall stud(s) at the hole(s) marked in Step 6 of "Mark Rear Wall." Refer to figures 1 and 2 in "Possible Wall Stud Configurations" in the "Locate Wall Stud(s)" section.

Installation for Wall Stud at One End Hole (Figure 3)

1. Drill a 3/16" (5 mm) hole into the wall stud at the end hole marked in Step 3 of "Mark Rear Wall."
2. If installing on a second wall stud, drill a 3/16" (5 mm) hole into the wall stud at the other hole marked in Step 6 of "Mark Rear Wall." Refer to Figure 3 in "Possible Wall Stud Configurations" in the "Locate Wall Stud(s)" section.
3. Drill a 5/8" (1.6 cm) hole through the wall at the other end hole.

Installation for Wall Studs at Both End Holes (Figure 4)

1. Drill 3/16" (5 mm) hole into the wall stud at the end hole marked in Step 3 of "Mark Rear Wall."

Attach Mounting Plate to Wall

NOTE: Secure the mounting plate to the wall at both end holes drilled into the wall studs and/or drywall using either 3/16 - 24 x 3" (7.6 cm) round-head bolts and toggle nuts or 1/4" x 2" (0.6 cm x 5.1 cm) lag screws.

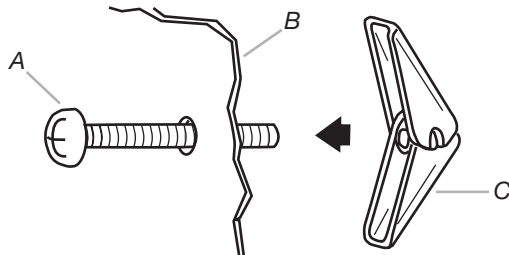
Refer to illustrations in "Possible Wall Stud Configurations" in the "Locate Wall Stud(s)" section.

For fast wall and roof vent installation, see the quick reference guide on the mounting plate.

No Wall Studs at End Holes (Figures 1 and 2)

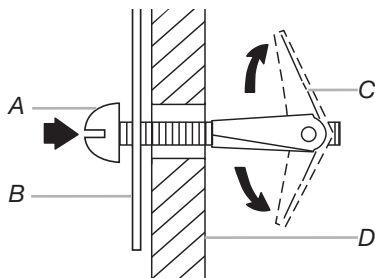
NOTE: The mounting plate must be secured to the wall on at least 1 wall stud as well as at both ends.

1. With the support tabs of the mounting plate facing forward, insert 3/16-24 x 3" (7.6 cm) round-head bolts through both end holes of mounting plate.
2. Start toggle nuts on bolts from the back of the mounting plate. Leave enough space for the toggle nuts to go through the wall and to open.



A. 3/16 - 24 x 3" (7.6 cm) round-head bolt
B. Mounting plate
C. Spring toggle nut

3. Position mounting plate on the wall.
4. Push the 2 bolts with toggle nuts through the drywall and finger tighten the bolts to make sure toggle nuts have opened against drywall.



A. 3/16 - 24 x 3" (7.6 cm) round-head bolt
B. Mounting plate
C. Spring toggle nut
D. Drywall

5. Insert lag screw(s) into the hole(s) drilled into wall stud(s) in Step 2 of "Installation for No Wall Studs at End Holes" in the "Drill Holes in Rear Wall" section.
6. Check alignment of mounting plate, making sure it is level.
7. Securely tighten all lag screws and bolts.

Wall Stud at One End Hole (Figure 3)

1. With the support tabs of the mounting plate facing forward, insert a 3/16-24 x 3" (7.6 cm) round-head bolt through the end hole that fits over the 5/8" (1.6 cm) hole drilled in Step 3 of "Installation for Wall Stud at One End Hole" in the "Drill Holes in Rear Wall" section.

2. Start a toggle nut on the bolt from the back of the mounting plate. Leave enough space for the toggle nut to go through the wall and to open.
3. Position mounting plate on the wall.
4. Push the bolt with toggle nut through the drywall and finger tighten the bolt to make sure toggle nut has opened against drywall.
5. Insert a lag screw into the remaining end hole.
6. If installing on a second wall stud, insert a lag screw into the other hole drilled in Step 2 of "Installation for Wall Stud at One End Hole" in the "Drill Holes in Rear Wall" section. Check alignment of mounting plate, making sure it is level.
7. Securely tighten the lag screw(s) and bolt.

Wall Studs at Both End Holes (Figure 4)

1. Position mounting plate on the wall.
2. Insert lag screws into both end holes.
3. Check alignment of mounting plate, making sure it is level.
4. Securely tighten the lag screws.

Install the Microwave Oven

⚠ WARNING

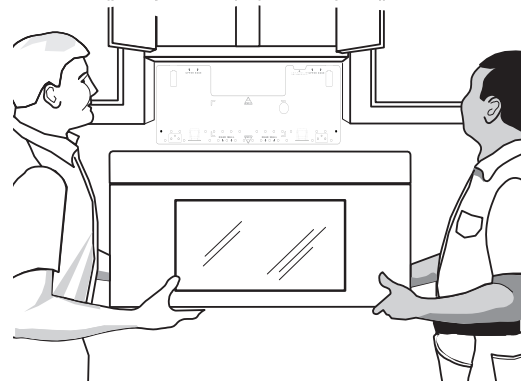
Excessive Weight Hazard

Use two or more people to move and install microwave oven.

Failure to do so can result in back or other injury.

IMPORTANT: The control side of the microwave oven is the heavy side. Handle the microwave oven gently.

1. Place a washer on each 1/4-20 x 3" (7.6 cm) flat-head bolt and place inside upper cabinet near the 3/8" (9.5 mm) holes.
2. Make sure the microwave oven door is closed and taped shut.



3. Using 2 or more people, lift microwave oven and hang it on support tabs at the bottom of mounting plate.

NOTE: To avoid damage to the microwave oven, do not grip or use the door or door handle while the microwave oven is being handled.

4. With front of microwave oven still tilted, thread power supply cord through the power supply cord hole in the bottom of the upper cabinet.
5. Rotate microwave oven up toward upper cabinet.

NOTE: If venting through the wall, make sure the damper assembly fits easily into the vent in the wall cutout.

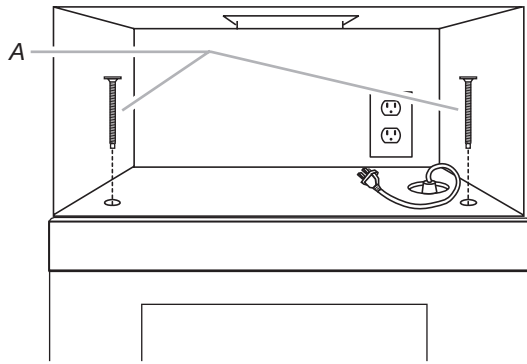
6. Push microwave oven against mounting plate and hold in place.

NOTE: If microwave oven does not need to be adjusted, skip steps 7 through 9.

7. If adjustment is required, rotate microwave oven downward. Using 2 or more people, lift microwave oven off of mounting plate and set aside on a covered surface.
8. Loosen mounting plate screws. Adjust mounting plate and re-tighten screws.
9. Repeat steps 3 through 6.
10. With the microwave oven centered, and with at least one person holding it in place, insert bolts through upper cabinet into microwave oven. Tighten bolts until there is no gap between upper cabinet and microwave oven.

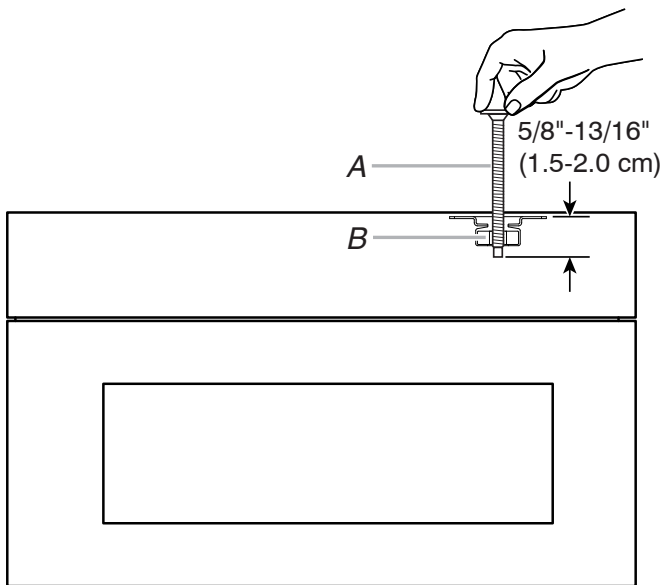
NOTES:

- Some upper cabinets may require bolts longer or shorter than 3" (7.6 cm). Longer or shorter bolts are available at most hardware stores.
- Over-tightening bolts may warp the top of the microwave oven. To avoid warping, wood filler blocks (installer to provide) may be added. The blocks must be the same thickness as the space between the upper cabinet bottom and the microwave oven.



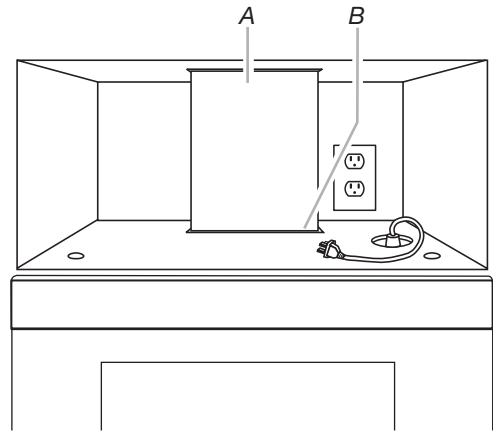
A. Bolts

NOTE: Avoid damage to the mounting nut, screw the bolts into the mounting nut holes around 5/8"-13/16" (1.5-2.0 cm) by hand first, make sure the bolts thread in properly. Then tighten with tools.



A. Bolt
B. Mounting Nut

11. Connect vent to damper assembly.



A. Vent
B. Damper assembly (under vent) Compact

Complete Installation

1. Install filters. Refer to the User Instructions for filter placement.

! WARNING



Electrical Shock Hazard

Plug into a grounded 3 prong outlet.

Do not remove ground prong.

Do not use an adapter.

Do not use an extension cord.

Failure to follow these instructions can result in death, fire, or electrical shock.

2. Plug microwave oven into grounded 3 prong outlet.
3. Reconnect power.
4. Check the operation of microwave oven by placing 1 cup (250 ml) of water on the turntable and programming a cook time of 1 minute at 100% power. Test vent fan and exhaust by operating the vent fan.
5. If the microwave oven does not operate:
 - Check that a household fuse has not blown, or that a circuit breaker has not tripped. Replace the fuse or reset the circuit breaker. If the problem continues, call an electrician.
 - Check that the power supply cord is plugged into a grounded 3 prong outlet.
 - See the User Instructions for troubleshooting information.

Installation is now complete.

Save Installation Instructions for future use.

VENTING DESIGN SPECIFICATIONS

This section is intended for architectural designer and builder/contractor reference only.

NOTES:

- Vent materials needed for installation are not provided with microwave hood combination.
- We do not recommend using a flexible metal vent.
- To avoid possible product damage, be sure to vent air outside, unless using recirculation installation. Do not vent exhaust air into concealed spaces, such as spaces within walls or ceilings, attics, crawl spaces, or garages.

For optimal venting installation, we recommend:

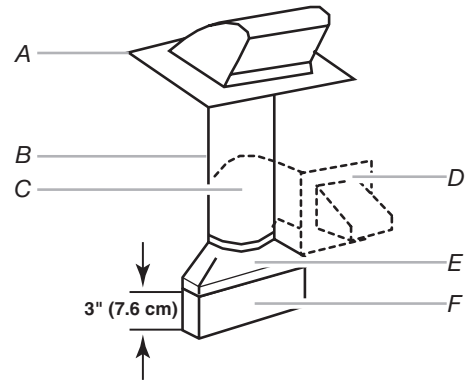
- Using roof or wall caps that have back draft dampers
- Using a rigid metal vent
- Using the most direct route by minimizing the length of the vent and number of elbows to provide efficient performance
- Using uniformly sized vents
- Using duct tape to seal all joints in the vent system
- Using caulking compound to seal exterior wall or roof opening around cap
- Not installing 2 elbows together for optimal hood performance

If venting through the wall, be sure that there is proper clearance within the wall for the damper to open fully.

If venting through the roof, and rectangular-to-round transition is used, be sure there are at least 3" (7.6 cm) of clearance between the top of the microwave oven and the transition piece. See "Rectangular-to-Round Transition" illustration.

Rectangular-to-Round Transition

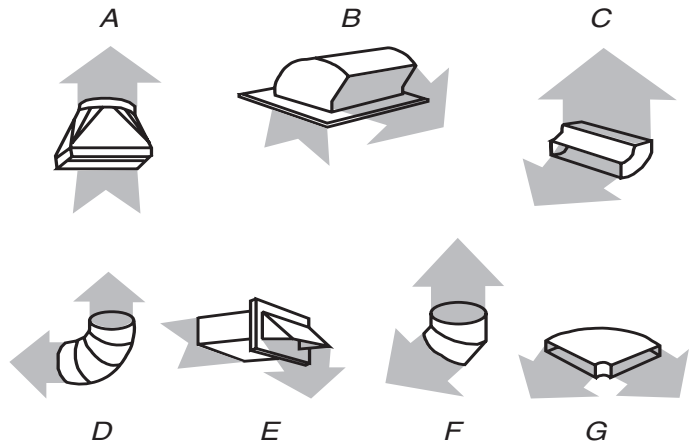
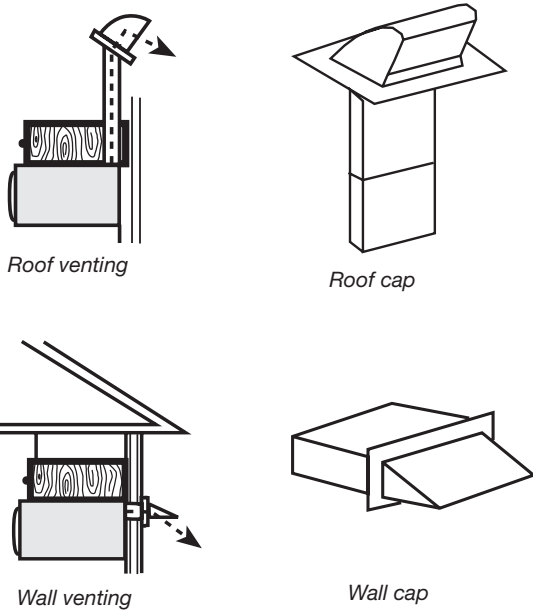
NOTE: The minimum 3" (7.6 cm) clearance must exist between the top of the microwave oven and the rectangular to round transition piece so that the damper can open freely and fully.



- A. Roof cap
- B. 6" (15.2 cm) min. diameter round vent
- C. Elbow (for wall venting only)
- D. Wall cap
- E. 3 1/4" x 10" to 6" (8.3 x 25.4 cm to 15.2 cm) rectangular to round transition piece
- F. Vent extension piece, at least 3" (7.6 cm) high

Recommended Standard Fittings

The following length equivalents are for use when figuring vent length. See the examples in "Recommended Vent Length."



- A. Rectangular-to-round transition piece: 3 1/4" x 10" to 6" = 5 ft (8.3 x 25.4 cm to 15.2 cm = 1.5 m)
- B. Roof cap: 3 1/4" x 10" = 24 ft (8.3 x 25.4 cm = 7.3 m)
- C. 90° elbow: 3 1/4" x 10" = 25 ft (8.3 x 25.4 cm = 7.6 m)
- D. 90° elbow: 6" = 10 ft (15.2 cm = 3 m)
- E. Wall cap: 3 1/4" x 10" = 40 ft (8.3 x 25.4 cm = 12.2 m)
- F. 45° elbow: 6" = 5 ft (15.2 cm = 1.5 m)
- G. 90° flat elbow: 3 1/4" x 10" = 10 ft (8.3 x 25.4 cm = 3 m)

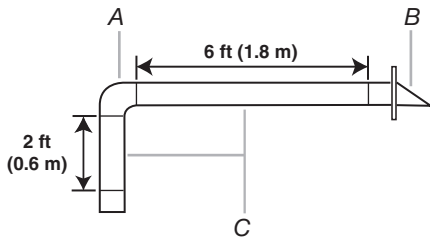
Recommended Vent Length

A 3¼" x 10" (8.3 cm x 25.4 cm) rectangular or 6" (15.2 cm) round vent should be used.

The total length of the vent system including straight vent, elbow(s), transitions, and wall or roof caps must not exceed the equivalent of 140 ft (42.7 m) for either type of vent. See the "Recommended Standard Fittings" section for equivalent lengths.

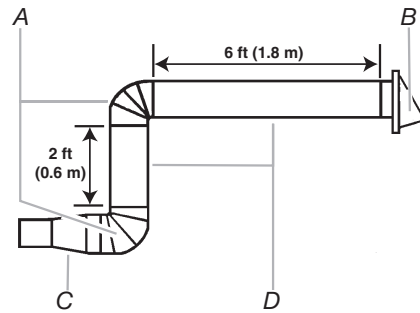
For best performance, use no more than three 90° elbows. To calculate the length of the system you need, add the equivalent lengths of each vent piece used in the system. See the following examples.

3¼" x 10" (8.3 x 25.4 cm) vent system = 73 ft (22.2 m) total.



- A. One 3¼" x 10" (8.3 x 25.4 cm) 90° elbow = 25 ft (7.6 m)
- B. 1 wall cap = 40 ft (12.2 m)
- C. 2 ft (0.6 m) + 6 ft (1.8 m) straight = 8 ft (2.4 m)

6" (15.2 cm) vent system = 73 ft (22.2 m) total.



- A. Two 90° elbows = 20 ft (6.1 m)
- B. 1 wall cap = 40 ft (12.2 m)
- C. 1 rectangular-to-round transition piece = 5 ft (1.5 m)
- D. 2 ft (0.6 m) + 6 ft (1.8 m) straight = 8 ft (2.4 m)

If the existing vent is round, a rectangular-to-round transition piece must be used. In addition, a rectangular 3" (7.6 cm) extension vent between the damper assembly and rectangular to round transition piece must be installed to keep the damper from sticking.

ASSISTANCE

Call your authorized dealer or service center. When you call, you will need the microwave oven model number and serial number. Both numbers can be found on the model and serial number plate, which is located behind the microwave oven door on the front frame of the microwave oven.

If you need additional assistance, call us at our toll-free number or visit our website listed in the User Guide.

Replacement Parts

If any of the installation hardware needs to be replaced, call us at our toll-free number listed in the User Guide.

Following is a list of available replacement parts. You will need your model number located on the front facing of the microwave oven opening, behind the door.

- Damper assembly
- Mounting plate
- Mounting Screw Kit (includes parts A through G in "Parts Supplied" in the "Tools and Parts" section)

SÉCURITÉ DE L'ENSEMBLE HOTTE/FOUR À MICRO-ONDES

Votre sécurité et celle des autres est très importante.

Nous donnons de nombreux messages de sécurité importants dans ce manuel et sur votre appareil ménager. Assurez-vous de toujours lire tous les messages de sécurité et de vous y conformer.



Voici le symbole d'alerte de sécurité.

Ce symbole d'alerte de sécurité vous signale les dangers potentiels de décès et de blessures graves à vous et à d'autres.

Tous les messages de sécurité suivront le symbole d'alerte de sécurité et le mot "DANGER" ou "AVERTISSEMENT". Ces mots signifient :

⚠ DANGER

Risque possible de décès ou de blessure grave si vous ne suivez pas immédiatement les instructions.

⚠ AVERTISSEMENT

Risque possible de décès ou de blessure grave si vous ne suivez pas les instructions.

Tous les messages de sécurité vous diront quel est le danger potentiel et vous disent comment réduire le risque de blessure et ce qui peut se produire en cas de non-respect des instructions.

EXIGENCES D'INSTALLATION

Outils et pièces

Outils nécessaires

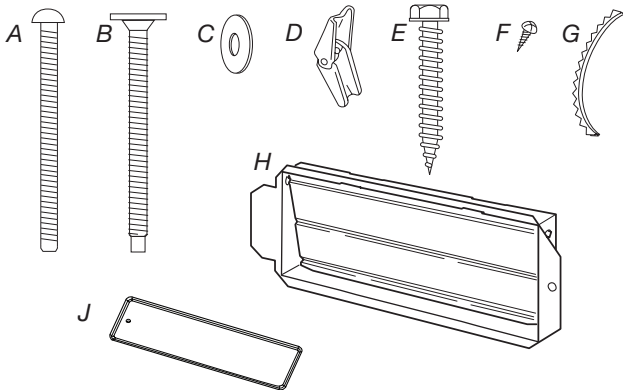
Rassembler les outils et pièces nécessaires avant d'entreprendre l'installation. Lire et observer les instructions fournies avec chacun des outils de la liste ci-dessous.

- Ruban à mesurer
- Crayon
- Ruban-cache ou punaises
- Ciseaux
- Tournevis à tête cruciforme n° 3 pour les vis de 1/4 - 20 x 3 po (7,6 cm)
- Perceuse
- Mèches de 3/16 po (5 mm), 3/8 po (9,5 mm), 5/8 po (1,6 cm)
- Scie-cloche de 3/4 po (1,9 cm)
- Pince coupante
- Détecteur de montant
- Clé à douille (ou clé polygonale) de 7/16 po (1,1 cm) pour tirefonds de 1/4 po x 2 po (0,6 cm x 5,1 cm)
- Scie à trou de 1 1/2 po (3,8 cm) pour armoire de bois ou de métal
- Scie à guichet
- Pistolet à calfeutrage et calfeutrant étanche
- Ruban adhésif pour conduit

Pièces fournies

Pour commander des pièces, voir la section « Pièces de rechange ».

REMARQUE : Les articles de quincaillerie suivants sont destinés à l'utilisation sur un montant de bois. En présence d'une structure de mur différent, utiliser les éléments de fixation appropriés.



- A. 2 vis à tête ronde de 3/16 - 24 x 3 po (7,6 cm)
- B. Vis à tête plate de 1/4 - 20 x 3 po (7,6 cm) (2)
- C. Rondelles (2)
- D. Écrous articulés de 3/16 po (4,8 mm [2])
- E. Tirefonds de 1/4 po x 2 po (0,6 cm x 5,1 cm) (2)
- F. Vis à tôle de 5/32 po x 5/16 po (0,4 cm x 0,8 cm) (2)
- G. Garniture pour trou de passage du cordon d'alimentation (1)
- H. Registre (pour décharge à travers le mur ou le toit)
- J. Couvre-caps de décharge (2)

Composants non illustrés :

- Plaque de montage (située sur la partie supérieure en mousse polystyrène)
- Filtres à graisse
- Filtres au charbon

REMARQUE : Selon le modèle de l'appareil, le filtre à graisse et le filtre au charbon peuvent être combinés.

Matériaux nécessaires

Composants standard pour décharge à travers le mur ou à travers le toit. Voir la section « Spécifications/conception du circuit d'évacuation ».

Exigences d'emplacement

IMPORTANT : Inspecter l'ouverture où le four à micro-ondes sera installé. Il doit comporter les caractéristiques suivantes :

- Dimensions minimales à respecter lors de l'installation. Voir l'illustration « Dimensions à respecter lors de l'installation ».
- Au moins un montant de cloison en bois de 2 po x 4 po (51 mm x 10,2 cm) et parement de plâtre/support d'enduit ou panneau de gypse d'une épaisseur de 3/8 po (9,5 mm) ou plus dans l'ouverture de l'armoire.
- Capacité de support de charge de 150 lb (68 kg), ceci incluant le four à micro-ondes et les articles placés à l'intérieur du four à micro-ondes et de l'armoire supérieure.
- Prise de courant électrique reliée à la terre à l'intérieur de l'armoire supérieure. Voir la section « Spécifications électriques ».

REMARQUE : Les matériaux de certaines armoires et certains matériaux de construction peuvent ne pas résister à la chaleur émise par le four à micro-ondes lors des opérations de cuisson. Consulter le constructeur de la maison ou le fabricant des armoires pour déterminer si les matériaux utilisés pourraient subir un changement de couleur, une déstratification ou d'autres dommages.

Exigences spéciales

Pour une installation avec décharge murale seulement :

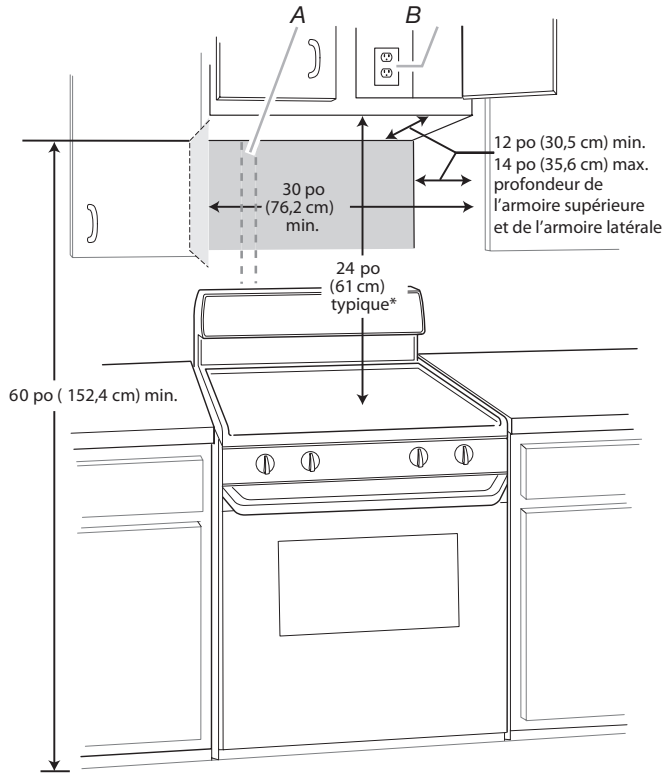
- L'ouverture découpée doit être exempte d'obstruction pour l'ajustement adéquat du conduit d'évacuation et pour que la plaque du registre puisse manœuvrer complètement et librement.

Pour une installation avec décharge à l'extérieur à travers le toit seulement :

- Si on utilise un raccord de transition rectangulaire/rond, on doit disposer d'un espace libre de 3 po (7,6 cm) au-dessus du four à micro-ondes afin que la plaque du registre puisse s'ouvrir complètement et librement. Voir l'illustration « Raccord de transition rectangulaire/rond » dans la section « Spécifications/conception du circuit d'évacuation ».

Dimensions d'installation

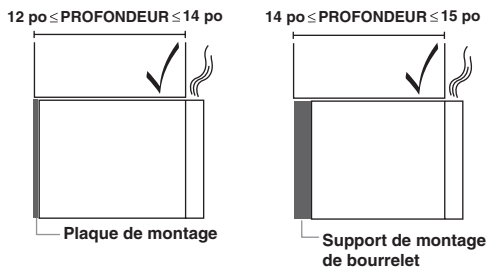
REMARQUE : La prise de courant à 3 alvéoles reliée à la terre doit être située à l'intérieur de l'armoire supérieure. Voir la section « Spécifications électriques ».



A. Évacuation rectangulaire murale de 2 po x 4 po (5,1 cm x 10,1 cm)
B. Prise à 3 alvéoles reliée à la terre

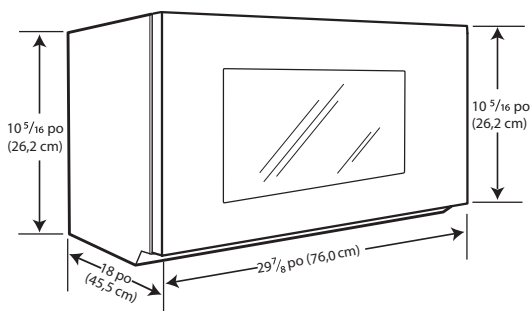
*24 po (61 cm) est typique pour une hauteur d'installation de 60 po (152,4 cm). Les dimensions exactes peuvent varier en fonction du type de cuisinière/table de cuisson ci-dessous.

REMARQUE : Pour garantir de bons résultats, ne pas obstruer l'ouverture d'évacuation supérieure. Si la profondeur des armoires est de plus de 14 po (35,6 cm), mais pas plus de 15 po (38,1 cm), utiliser l'ensemble de montage de bourrelet pour remplacer la plaque de montage sur le mur. L'ensemble de montage de bourrelet (numéro de pièce W11185746) n'est pas fourni, mais peut être acheté de Whirlpool.



Dimensions du produit

La profondeur totale du produit varie légèrement selon la conception de la porte.



Spécifications électriques

⚠ AVERTISSEMENT



Risque de choc électrique

Brancher sur une prise à 3 alvéoles reliée à la terre.

Ne pas enlever la broche de liaison à la terre.

Ne pas utiliser un adaptateur.

Ne pas utiliser un câble de rallonge.

Le non-respect de ces instructions peut causer un décès, un incendie ou un choc électrique.

Observer les dispositions de tous les codes et règlements en vigueur.

Exigences :

- Alimentation de 120 V, 60 Hz, CA seulement, et protégée par un fusible ou un disjoncteur temporisé de 15 A ou 20 A.

Recommandation :

- Fusible ou disjoncteur temporisé
- Circuit distinct exclusif au four à micro-ondes

INSTRUCTIONS DE LIAISON À LA TERRE

■ Pour tout appareil ménager connecté par un cordon de courant électrique :

Il faut que le four à micro-ondes soit relié à la terre. En cas de court-circuit électrique, la liaison à la terre réduit le risque de choc électrique car le courant électrique dispose d'un itinéraire direct d'acheminement à la terre. Le four à micro-ondes est doté d'un cordon de courant électrique qui comporte un fil de liaison à la terre, avec broche de liaison à la terre. On doit brancher la fiche sur une prise de courant convenablement installée et reliée à la terre.

AVERTISSEMENT : L'utilisation incorrecte du dispositif de liaison à la terre peut susciter un risque de choc électrique. L'utilisateur qui ne comprend pas bien les instructions de liaison à la terre, ou qui n'est pas certain que le four à micro-ondes soit convenablement relié à la terre, devrait consulter un électricien ou un technicien qualifié.

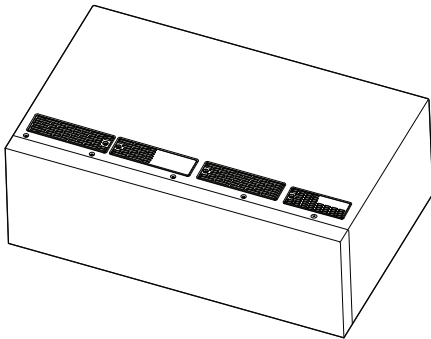
Ne pas utiliser un câble de rallonge. Si le cordon de courant électrique est trop court, demander à un électricien ou un technicien qualifié d'installer une prise de courant à proximité du four à micro-ondes.

CONSERVEZ CES INSTRUCTIONS

INSTRUCTIONS D'INSTALLATION

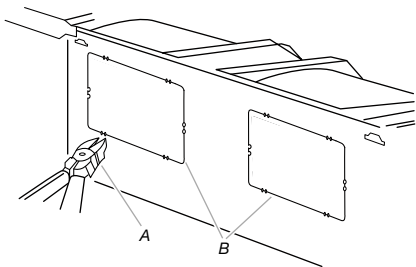
Le four à micro-ondes a été configuré à l'usine pour une installation avec recyclage. Pour la décharge de l'air aspiré à travers le mur ou le toit, on doit modifier le système de ventilation.

REMARQUE : Ne pas tenir compte de la section suivante pour une installation avec recyclage. Passer à la section « Identification de la position du/des poteaux du colombage mural ». Conserver le module du volet de sortie pour le cas où la configuration d'installation serait ultérieurement modifiée ou s'il devenait nécessaire de réinstaller le four à micro-ondes à un autre endroit, avec décharge à l'extérieur à travers le mur ou à travers le toit.



Installation avec décharge murale uniquement

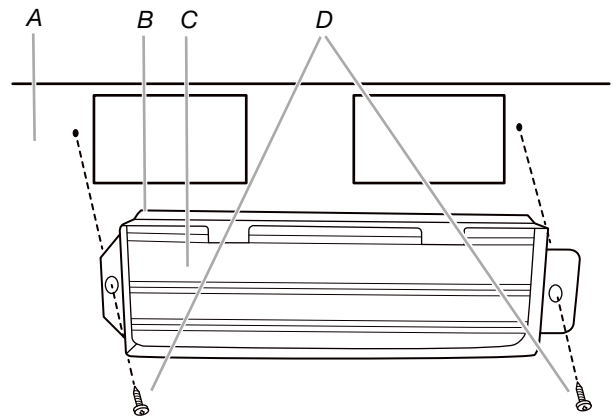
1. Utiliser une pince coupante diagonale pour découper doucement les couvercles du conduit rectangulaire sur la plaque du registre.



A. Pince coupante diagonale
B. Couvercles des registres

Installation du registre (pour décharge à travers le mur uniquement)

1. Vérifier que la plaque du registre manœuvre librement et s'ouvre complètement.
2. Positionner le registre sur le dos du four à micro-ondes de manière à ce que la charnière de la plaque du registre soit en haut et que la plaque du registre s'ouvre à l'écart du four à micro-ondes.

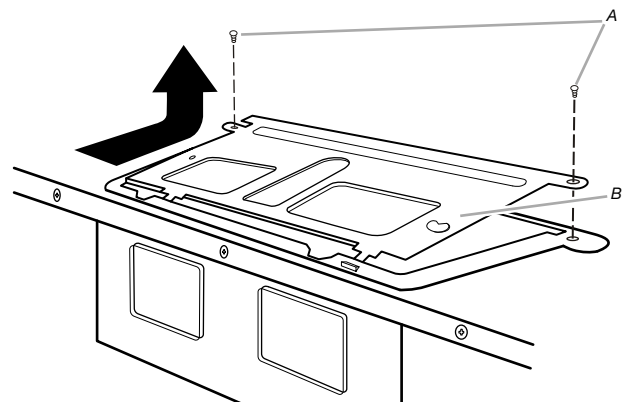


A. Arrière du four à micro-ondes
B. Ensemble de registre
C. Plaque du registre
D. Vis à tôle de 5/32 po x 5/16 po (4 mm x 8 mm)

3. Fixer le registre à l'aide de deux vis à tôle de 5/32 po x 5/16 po (4 mm x 8 mm).

Pour une installation avec décharge à travers le toit seulement

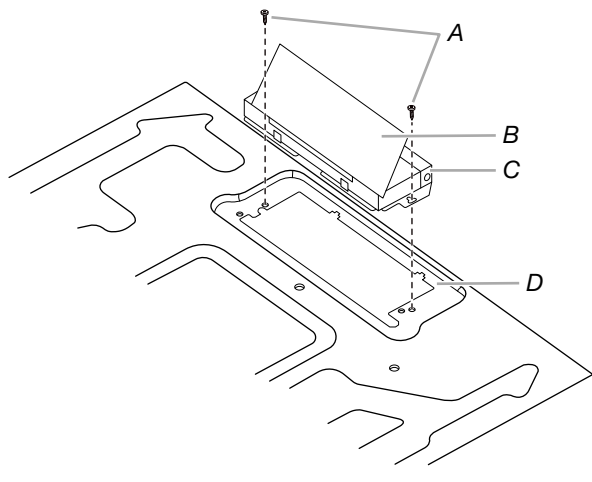
1. Ôter les vis fixant la plaque de support de la plaque du registre à la partie supérieure de l'extérieur du four à micro-ondes. Faire glisser la plaque du registre vers l'avant du four à micro-ondes et la soulever.



A. Vis
B. Panneau du registre

Installation de l'ensemble de registre (pour décharge à travers le toit uniquement)

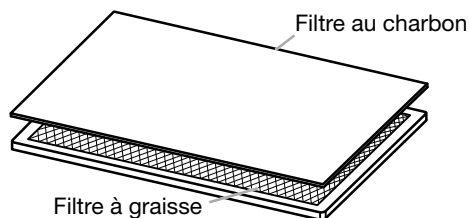
1. Vérifier que la plaque du registre manœuvre librement et s'ouvre complètement.
2. Positionner l'ensemble du registre sur le dessus du four à micro-ondes de manière à ce que la charnière de la plaque du registre soit en haut et que la plaque du registre s'ouvre à l'écart du four à micro-ondes.



- A. Vis
- C. Plaque du registre
- C. Ensemble du registre
- D. Sommet du four à micro-ondes

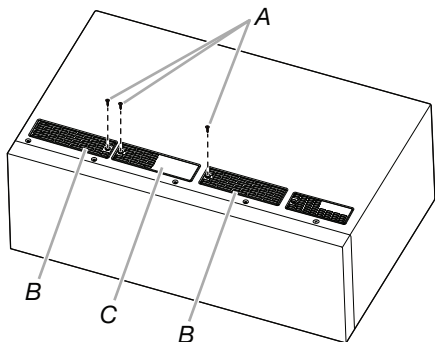
3. Fixer le registre à l'aide de deux vis à tête de 5/32 po x 5/16 po (4 mm x 8 mm).

REMARQUE : Pour assurer une bonne performance du flux d'air, pour décharge à travers le mur et le toit, retirer le filtre au charbon de la plaque inférieure avant d'utiliser le four à micro-ondes.



Installation du couvercle d'évent (pour évent mural et supérieur)

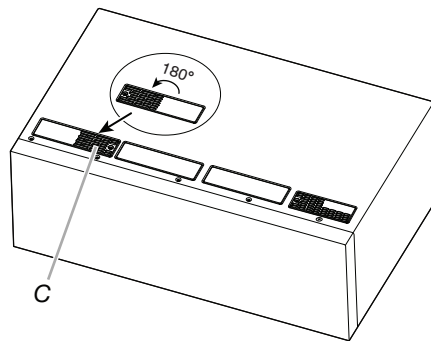
1. Retirer les vis des couvercles B et C. Les faire glisser à l'extérieur. Garder le couvercle C pour l'utiliser à l'étape 2.



- A. Vis
- B. Couvercles de ventilation de recyclage
- C. Protège-ampoule de recyclage

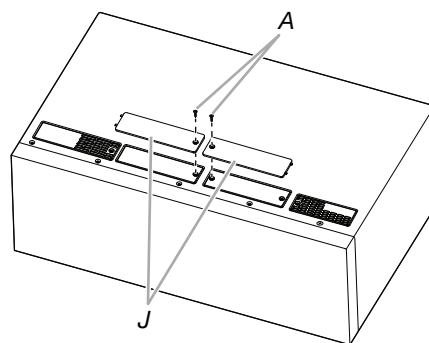
REMARQUE : Conserver B pour une installation future de la ventilation de recyclage.

2. Faire pivoter C de 180 degrés, le placer comme illustré ci-dessous.



C. Protège-ampoule de recyclage

3. Prendre J situés dans la partie supérieure de l'emballage en mousse (consulter la section «Pièces fournies»), fixer les deux pièces comme illustré ci-dessous en utilisant la vis enlevée à l'étape 1.



- A. Vis
- J. Couvercles de décharge

Identification de la position des montants de cloison

REMARQUE : S'il n'y a aucun montant de cloison dans l'ouverture d'encastrement de l'armoire, ne pas installer le four à micro-ondes.

Voir les illustrations dans « Configurations possibles des montants de cloison ».

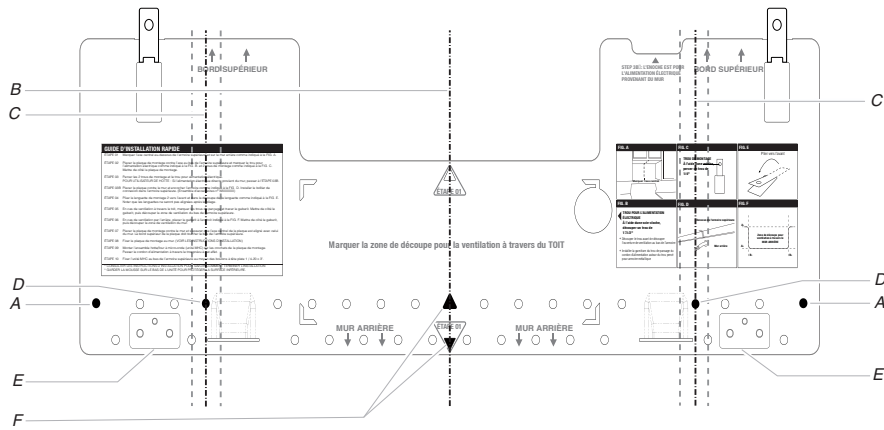
1. Utiliser un détecteur de montant pour localiser dans l'ouverture les bords des montants de cloison.
2. Marquer la position du centre de chaque montant de cloison et tracer l'axe de chaque montant à l'aide d'un fil à plomb. Voir les illustrations dans « Configurations possibles des montants de cloison ».

Configurations possibles des montants de cloison

Les illustrations ci-dessous présentent des exemples des configurations préférentielles d'installation avec la plaque de montage.

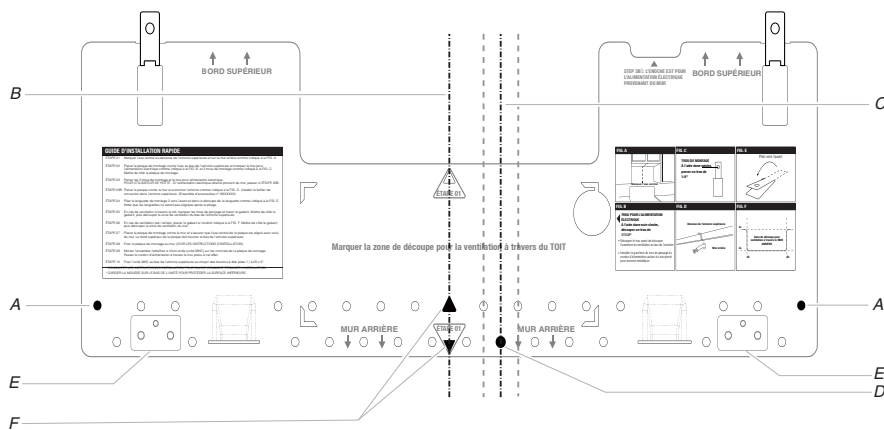
Aucun montant de cloison à la position des trous d'extrémité

Figure 1



Aucun montant de cloison à la position des trous d'extrémité

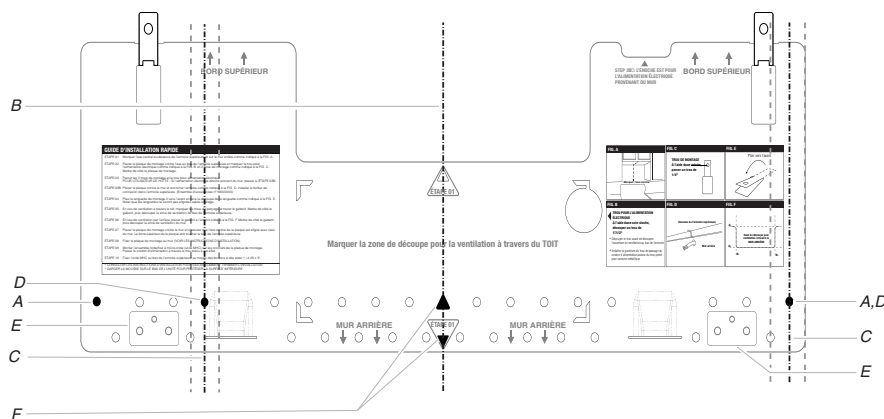
Figure 2



REMARQUE : Si les montants de cloison se trouvent à moins de 6 po (15,2 cm) de l'axe central vertical (voir la section « Tracé sur le mur arrière », seule une installation sans décharge à l'extérieur [recyclage] ou une installation avec décharge par le toit peut être réalisée.

Montants de cloison à la position des trous d'extrémité

Figure 3

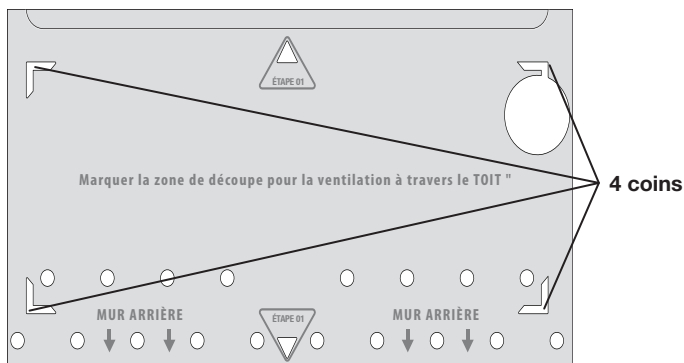


A. Trous d'extrémité (sur la plaque de montage)
B. Axe vertical central de l'ouverture dans l'armoire
C. Axes verticaux du montant de cloison

D. Trous pour tirefonds
E. Pattes de support
F. Marquage du centre sur plaque de montage

Pour une installation avec décharge à travers le toit seulement

Pour une évacuation à travers le toit, marquer et tracer les trous de perçage sur la plaque de montage. Mettre la plaque de montage de côté, puis découper la zone d'évacuation du bas de l'armoire supérieure en utilisant une scie à guichet.

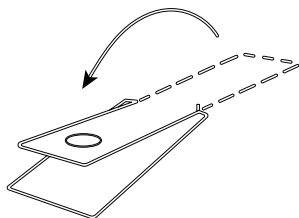


Tracé sur le mur arrière

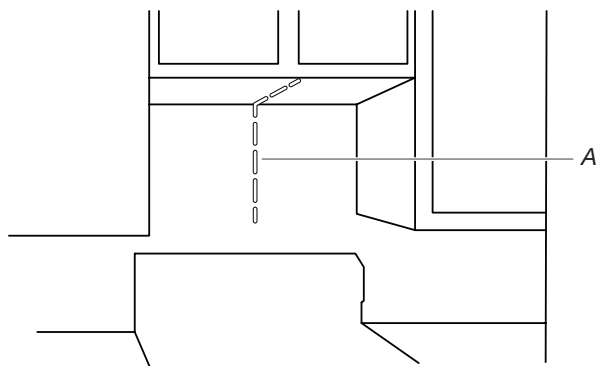
Le four à micro-ondes doit être fixé sur au moins 1 montant de cloison, mais de préférence sur 2 montants; on utilise pour cela au moins 1 vis d'ancrage, mais de préférence 2.

1. Pliez les 2 languettes de montage vers l'avant et dans la découpe de languettes. Noter que les languettes ne seront pas alignées après le pliage.

Plier vers l'avant



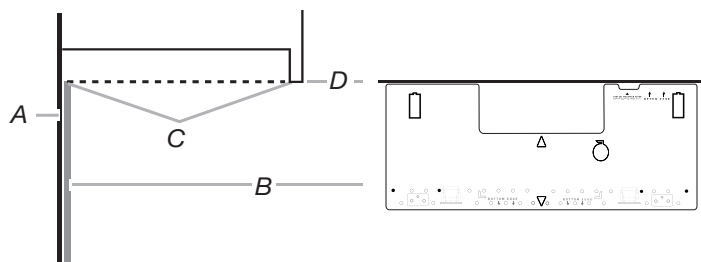
2. Marquer l'axe central du mur arrière. Placer la plaque de montage contre le mur arrière, déterminer et marquer clairement la position de l'axe central vertical de l'ouverture.



A. Axe central

3. Aligner le marquage central de la plaque de montage avec l'axe central du mur. S'assurer qu'il est de niveau et que le haut de la plaque de montage est bien positionné bout à bout avec le bas de l'armoire supérieure.

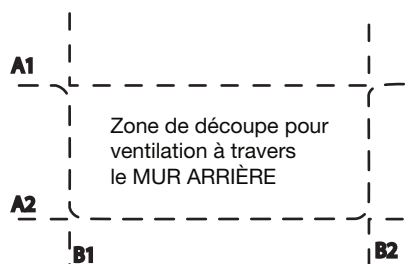
REMARQUE : Si le bord avant de l'armoire supérieure est plus bas que le bord arrière, abaisser la plaque de montage de manière à ce que le sommet de la plaque de montage soit au même niveau que le bord avant de l'armoire.



- A. Mur arrière
- B. Plaque de montage
- C. Le sommet de la plaque de montage doit être aligné avec la rive avant de l'armoire.
- D. Bord avant de l'armoire supérieure

Installation avec décharge murale uniquement

4. Pour une évacuation à travers le mur, placer la plaque de montage sur le mur et marquer la zone de découpe. Mettre la plaque de montage de côté, puis couper le trou de la zone d'évacuation arrière dans le mur à l'aide d'une scie à guichet.



Perçage de trous dans le mur arrière

En plus d'être fixé sur au moins un montant de cloison, on doit également fixer la plaque de montage sur le mur au niveau des deux trous d'extrémité. Si la position des trous ne coïncide pas avec des montants de la cloison, utiliser deux vis à tête ronde de 3/16-24 x 3 po (7,6 cm) avec écrou articulé; s'il y a un trou d'extrémité qui coïncide avec les montants de la cloison, utiliser une vis d'ancrage et 1 vis à tête ronde de 3/16-24 x 3 po (7,6 cm) avec écrou articulé; si les deux trous coïncident avec les montants de la cloison, utiliser 2 vis d'ancrage. On présente ci-dessous 3 configurations d'installation.

Installation en cas d'aucun poteau de colombage aux trous d'extrémité (figures 1 et 2)

1. Percer des trous de 5/8 po (1,6 cm) à travers le mur à l'emplacement des deux trous d'extrémité marqués à l'étape 3 de la section « Tracé sur le mur arrière ».
2. Percer des trous de 3/16 po (5 mm) dans les poteaux de colombage à l'emplacement des trous marqués à l'étape 6 de la section « Tracé sur le mur arrière ». Voir les figures 1 et 2 du paragraphe « Configurations possibles des montants de cloison » à la section « Identifier la position du/des montants de cloison ».

Installation en cas d'un poteau de colombage en coïncidence avec un trou d'extrémité (figure 3)

1. Percer un trou de 3/16 po (5 mm) à travers le poteau mural à l'emplacement du trou d'angle marqué à l'étape 3 dans « Tracé sur le mur arrière ».
2. S'il l'on souhaite fixer l'appareil sur un second poteau du colombage mural, percer un trou de 3/16 » (5 mm) dans le poteau du colombage à l'emplacement de l'autre trou marqué à l'étape 6 dans « Tracé sur le mur arrière ». Voir la figure 3 dans le paragraphe « Configurations possibles du colombage mural » à la section « Identifier la position du/des poteau(x) du colombage mural ».
3. Percer un trou de 5/8 po (1,6 cm) à travers le mur, face à l'autre trou d'angle.

Installation en cas de montants de cloison en coïncidence avec deux trous d'extrémité (figure 4)

1. Percer un trou de 3/16 po (5 mm) à travers le montant à l'emplacement du trou d'angle marqué à l'étape 3 dans « Tracé sur le mur arrière ».

Fixation de la plaque de montage au mur

REMARQUE : Fixer la plaque de montage sur le mur; utiliser les organes de fixation appropriés dans les deux trous d'extrémité percés dans les montants de cloison ou à travers le panneau de gypse – vis à tête ronde de 3/16 - 24 x 3 po (7,6 cm) avec écrou articulé ou tirefond de 1/4 x 2 po (0,6 x 5,1 cm).

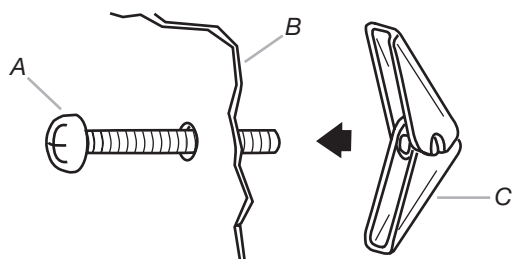
Voir les illustrations de « Configurations possibles des montants de cloison » à la section « Identification de la position des montants de cloison ».

Pour une installation rapide des conduits pour décharge par le toit ou à travers le mur, voir le guide de référence rapide sur la plaque de montage.

Aucun montant de cloison ne coïncide avec les trous d'extrémité (Figures 1 et 2)

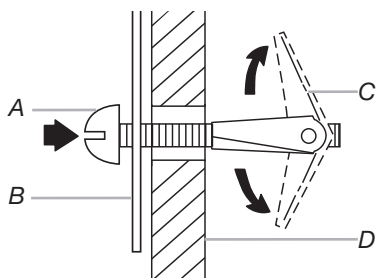
REMARQUE : La plaque de montage doit être fixée sur le mur à au moins un montant de cloison, ainsi qu'aux deux extrémités.

1. Alors que les pattes de support de la plaque de montage sont orientées vers l'avant, insérer des vis à tête ronde de 3/16-24 x 3 po (7,6 cm) dans les deux trous d'extrémité de la plaque de montage.
2. Engager un écrou articulé sur chaque vis par l'arrière de la plaque de montage. Veiller à disposer de suffisamment d'espace pour que les écrous articulés puissent traverser le panneau de gypse et se déployer à l'intérieur de la cavité murale.



A. Vis à tête ronde de 3/16 - 24 x 3 po (7,6 cm)
B. Plaque de montage
C. Écrou articulé à ressort

3. Positionner la plaque de montage sur le mur.
4. Pousser les deux vis avec écrou articulé à travers le panneau de gypse; visser les vis à la main pour vérifier que chaque écrou articulé s'est déployé et prend appui contre le panneau de gypse.



A. Vis à tête ronde de 3/16 - 24 x 3 po (7,6 cm)
B. Plaque de montage
C. Écrou articulé à ressort
D. Panneau de gypse

5. Insérer les tirefonds dans les trous percés dans les montants de cloison à l'étape 2 du paragraphe « Installation lorsqu'aucun montant de cloison ne coïncide avec les trous d'extrémité » de la section « Perçage des trous dans le mur arrière ».
6. Contrôler l'alignement de la plaque de montage; veiller à établir un bon aplomb.
7. Serrer solidement tous les écrous et tirefonds.

Montant de cloison coïncident avec un trou d'extrémité (Figure 3)

1. Alors que les pattes de support de la plaque de montage sont orientées vers l'avant, insérer une vis à tête ronde de 3/16-24 x 3 po (7,6 cm) dans le trou d'angle coïncident avec le trou de 5/8 po (1,6 cm) percé à l'étape 3 du paragraphe « Installation avec un montant de cloison coïncident avec un trou d'extrémité » de la section « Perçage des trous dans le mur arrière ».
2. Engager un écrou articulé sur la vis par l'arrière de la plaque de montage. Veiller à disposer de suffisamment d'espace pour que l'écrou articulé puisse traverser le panneau de gypse et se déployer à l'intérieur de la cavité murale.
3. Positionner la plaque de montage sur le mur.
4. Pousser la vis avec écrou articulé à travers le panneau de gypse; visser la vis à la main pour vérifier que chaque écrou articulé s'est déployé et prend appui contre le panneau de gypse.
5. Insérer un tirefond dans le trou d'extrémité restant.
6. S'il est possible de fixer également l'appareil sur un second montant de cloison, insérer une vis d'ancrage dans l'autre trou percé à l'étape 2 du paragraphe « Installation avec un montant de cloison coïncident avec un trou d'extrémité » de la section « Perçage des trous dans le mur arrière ». Contrôler l'alignement de la plaque de montage; veiller à établir un bon aplomb.
7. Serrer solidement toutes les pièces d'ancrage.

Montants de cloison en coïncidence avec deux trous d'extrémité (figure 4)

1. Positionner la plaque de montage sur le mur.
2. Insérer les vis d'ancrage dans les deux trous d'extrémité.
3. Contrôler l'alignement de la plaque de montage; veiller à établir un bon aplomb.
4. Serrer solidement les vis d'ancrage.

Installation du four à micro-ondes

AVERTISSEMENT

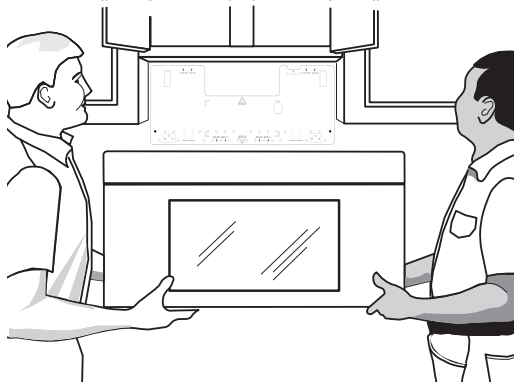
Risque du poids excessif

Utiliser deux ou plus de personnes pour déplacer et installer le four à micro-ondes.

Le non-respect de cette instruction peut causer une blessure au dos ou d'autre blessure.

IMPORTANT : Le côté de l'appareil où se trouve la commande est le plus lourd. Manipuler le four à micro-ondes délicatement.

1. Placer une rondelle sur chaque vis à tête plate de 1/4-20 x 3 po (7,6 cm); placer les vis à l'intérieur de l'armoire supérieure, à proximité des trous de 3/8 po (9,5 mm).
2. Vérifier que la porte du four à micro-ondes est fermée, et qu'elle est immobilisée par du ruban adhésif.



3. À l'aide de 2 personnes ou plus, soulever le four à micro-ondes et le suspendre aux pattes de support situées en bas de la plaque de montage.

REMARQUE : Pour éviter d'endommager le four à micro-ondes, ne pas saisir et utiliser la porte ou la poignée de la porte pendant la manipulation du four à micro-ondes.

4. Alors que l'avant du four à micro-ondes est encore incliné, enfiler le cordon d'alimentation à travers le trou de passage percé dans le fond de l'armoire supérieure.

5. Redresser le four à micro-ondes vers l'armoire supérieure.

REMARQUE : En cas d'évacuation à travers le mur, veiller à ce que le registre s'insère facilement dans le conduit dans l'ouverture du mur.

6. Pousser le four à micro-ondes contre la plaque de montage; maintenir le four en place.

REMARQUE : Si aucun autre ajustement de la position du four à micro-ondes n'est nécessaire, passer les étapes 7 à 9.

7. Si un ajustement est nécessaire, faire pivoter le four à micro-ondes vers le bas. À l'aide de 2 personnes ou plus, soulever le four à micro-ondes et le dégager de la plaque de montage; placer le four à part sur une surface protégée.

8. Desserrer les vis de la plaque de montage. Ajuster la plaque de montage et resserrer les vis.

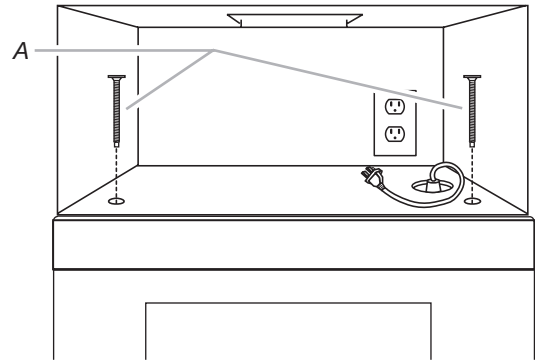
9. Répéter les étapes 3 à 6.

10. Alors que le four à micro-ondes est centré, et tandis qu'au moins une personne le maintient en place, insérer les vis à travers l'armoire supérieure et dans le four à micro-ondes. Serrer les vis jusqu'à ce qu'il ne reste aucun espace entre l'armoire supérieure et le four à micro-ondes.

REMARQUES :

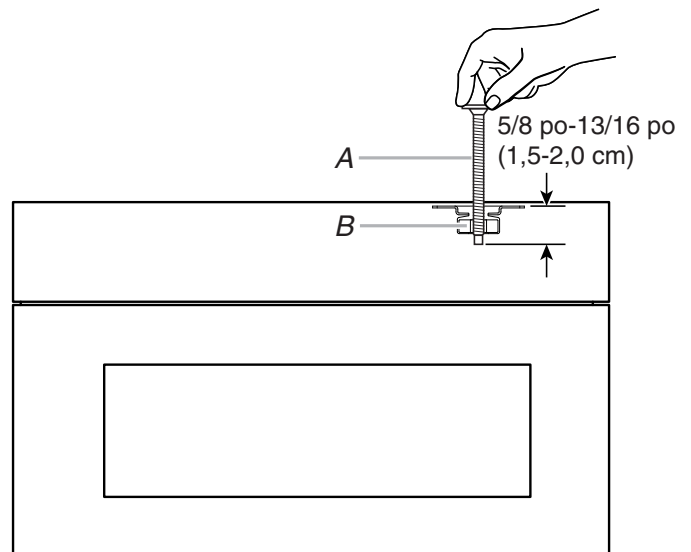
- Certaines configurations des armoires supérieures nécessitent l'emploi de vis plus longues ou plus courtes que 3 po (7,6 cm). Acheter les vis nécessaires (plus longues ou plus courtes) dans une quincaillerie locale.

- Un serrage excessif des vis peut provoquer une déformation (gauchissement) du sommet du four à micro-ondes. Pour éviter un gauchissement, on peut ajouter des cales d'appui en bois (l'installateur les fournit). L'épaisseur des cales doit correspondre à l'épaisseur de l'espace résiduel entre le fond de l'armoire supérieure et le four à micro-ondes.



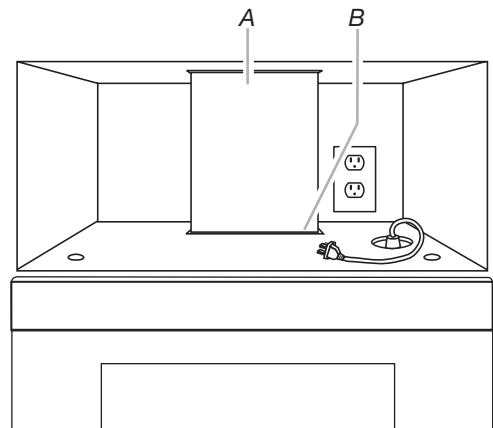
A. Vis

REMARQUE : Pour éviter d'endommager l'écrou de montage, vissez d'abord les vis dans les trous d'écrou de montage à la main de profondeur d'environ 5/8 po-13/16 po (1,5-2,0 cm), en veillant à ce que les vis s'enfilent correctement. Serrer ensuite les vis à l'aide d'un outil.



A. Vis
B. Écrou de montage

11. Connecter le conduit d'évacuation au registre.




A. Conduit d'évacuation
B. Registre (sous le conduit d'évacuation) – compact

Terminer l'installation

1. Installer les filtres. Consulter les instructions d'utilisation pour le remplacement des filtres.

⚠ AVERTISSEMENT



Risque de choc électrique

Brancher sur une prise à 3 alvéoles reliée à la terre.

Ne pas enlever la broche de liaison à la terre.

Ne pas utiliser un adaptateur.

Ne pas utiliser un câble de rallonge.

Le non-respect de ces instructions peut causer un décès, un incendie ou un choc électrique.

2. Brancher le four à micro-ondes sur une prise à trois alvéoles reliée à la terre.

3. Rétablir l'alimentation électrique.
4. Contrôler le fonctionnement du four à micro-ondes : placer sur le plateau rotatif 1 récipient contenant 1 tasse (250 ml) d'eau et programmer une période de cuisson de 1 minute à la puissance maximale (100 %). Faire fonctionner le ventilateur d'extraction pour tester son fonctionnement.
5. Si le four à micro-ondes ne fonctionne pas :
 - Déterminer si un fusible est grillé ou si un disjoncteur est déclenché. Remplacer le fusible ou réenclencher le disjoncteur. Si le problème persiste, appeler un électricien.
 - Vérifier que le cordon d'alimentation est correctement branché sur une prise à 3 alvéoles reliée à la terre.
 - Voir les Instructions d'installation pour les renseignements de dépannage.

L'installation est maintenant terminée. Conserver les instructions d'installation pour une éventuelle réutilisation future.

SPÉCIFICATIONS/CONCEPTION DU CIRCUIT D'ÉVACUATION

Cette section présente de l'information de référence uniquement, à l'intention des architectes/concepteurs et constructeurs.

REMARQUES :

- Les matériaux du circuit d'évacuation nécessaires à l'installation ne sont pas fournis avec l'ensemble four à micro-ondes/hotte.
- On déconseille l'emploi d'un conduit métallique flexible.
- Pour éviter d'éventuelles détériorations du produit, veiller à ce que l'air aspiré soit déchargé à l'extérieur sauf dans le cas d'une installation avec recyclage. Veiller à ce que l'air aspiré ne soit pas déchargé dans espace fermé dissimulé (cavité dans une cloison), au-dessus du plafond, grenier, vide sanitaire ou garage.

Recommandations pour un circuit d'évacuation optimal :

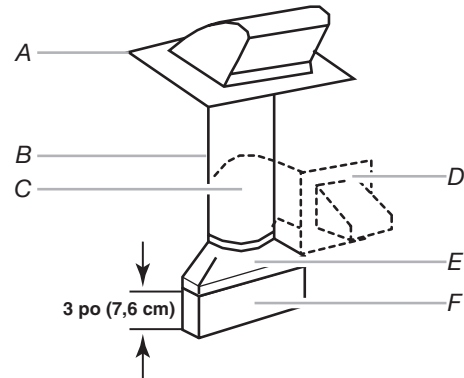
- Utiliser une bouche de décharge (murale ou sur toit) comportant un clapet antiretour
- Utiliser un conduit métallique rigide
- Utiliser l'itinéraire d'acheminement le plus direct; réduire la longueur du circuit et le nombre de coudes pour obtenir un fonctionnement efficace
- Utiliser des conduits de taille uniforme
- Assurer l'étanchéité de toutes les jointures des conduits avec du ruban adhésif pour conduits
- Utiliser un composé de calfeutrage pour assurer l'étanchéité autour de la bouche de décharge (murale ou sur toit)
- Ne pas connecter ensemble 2 raccords coudés, pour optimiser la performance de la hotte

Dans le cas de la décharge à travers le mur, veiller à disposer de l'espace libre suffisant à l'intérieur du mur pour que la plaque du registre puisse s'ouvrir complètement.

Dans le cas de la décharge à travers le toit, si on doit utiliser un raccord de transition (de rectangulaire à rond), veiller à disposer d'un espace libre d'au moins 3 po (7,6 cm) entre le sommet du four à micro-ondes et le raccord de transition. Voir l'illustration « Raccord de transition rectangulaire/rond ».

Raccord de transition rectangulaire/rond

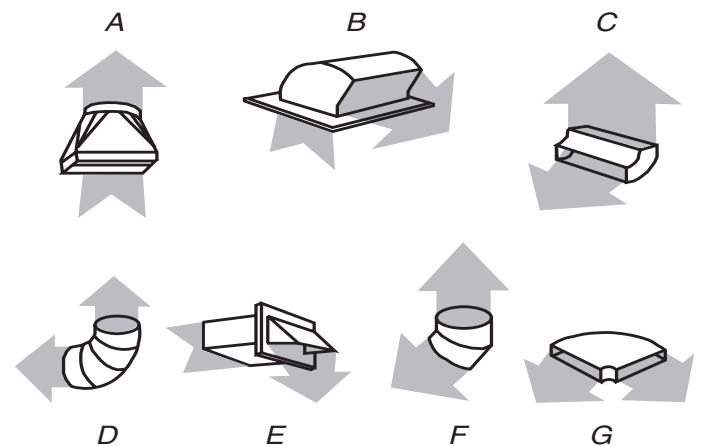
REMARQUE : On doit disposer d'un espace libre de 3 po (7,6 cm) ou plus entre le sommet du four à micro-ondes et le raccord de transition rectangulaire/rond pour que le registre puisse s'ouvrir librement et complètement.



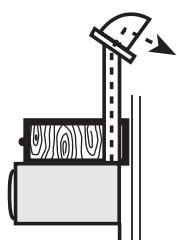
- A. Bouche de décharge sur toit
- B. Conduit rond dia. 6 po (15,2 cm) min.
- C. Coude (pour décharge murale uniquement)
- D. Bouche de décharge murale
- E. Raccord de transition rectangulaire/rond 3 1/4 po x 10 po à dia. 6 po (8,3 x 25,4 cm à 15,2 cm)
- F. Raccord d'extension, longueur de 3 po (7,6 cm) min.

Raccords standard recommandés

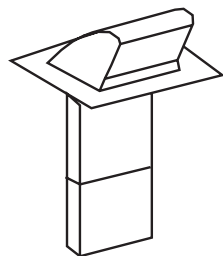
Les longueurs équivalentes suivantes doivent être utilisées pour calculer la longueur du circuit d'évacuation. Voir les exemples dans la section "Longueur recommandée du circuit d'évacuation".



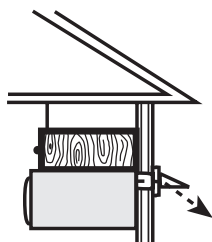
- A. Raccord de transition rectangulaire/rond : 3 1/4" x 10" à 6" = 5 pi (8,3 x 25,4 cm à 15,2 cm = 1,5 m)
- B. Bouche de décharge sur toit : 3 1/4" x 10" = 24 pi (8,3 x 25,4 cm = 7,3 m)
- C. Coude à 90° : 3 1/4" x 10" = 25 pi (8,3 x 25,4 cm = 7,6 m)
- D. Coude à 90° : 6" = 10 pi (15,2 cm = 3 m)
- E. Bouche de décharge murale : 3 1/4" x 10" = 40 pi (8,3 x 25,4 cm = 12,2 m)
- F. Coude à 45° : 6" = 5 pi (15,2 cm = 1,5 m)
- G. Coude plat à 90° : 3 1/4" x 10" = 10 pi (8,3 x 25,4 cm = 3 m)



Décharge à travers le toit



Bouche de décharge sur toit



Décharge à travers le mur



Bouche de décharge murale

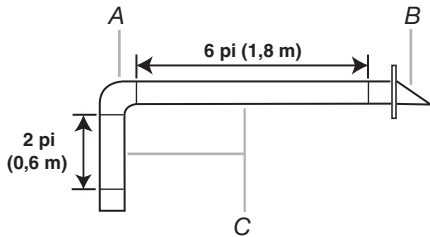
Longueur recommandée du circuit d'évacuation

On devrait utiliser un conduit rectangulaire de 3 ¼ po x 10 po (8,3 x 25,4 cm), ou un conduit rond de 6 po (15,2 cm) de diamètre.

La longueur équivalente totale du circuit d'évacuation, ceci incluant les sections de conduit rectilignes, coude(s), raccords de transition et bouche de décharge murale ou sur toit, ne doit pas dépasser 140 pi (42,7 m), quel que soit le type de conduit. Les longueurs équivalentes des divers composants sont mentionnées au tableau « Raccords standard recommandés ».

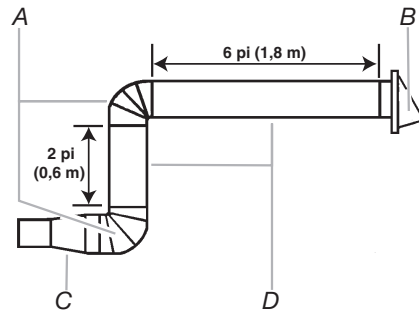
Pour optimiser la performance, ne pas utiliser plus de trois coudes à 90°. Pour calculer la longueur équivalente du système nécessaire, additionner les valeurs de longueurs équivalentes pour tous les composants utilisés dans le circuit. Voir les exemples suivants.

Conduit de 3 ¼ x 10 po (8,3 x 25,4 cm) = longueur totale 73 pi (22,2 m).



- A. 1 coude 90° de 3 ¼ po x 10 po (8,3 x 25,4 cm) = 25 pi (7,6 m)
- B. 1 bouche de décharge murale = 40 pi (12,2 m)
- C. Sections de conduit rectiligne 2 pi (0,6 m) + 6 pi (1,8 m) = 8 pi (2,4 m)

Conduit d'un diamètre de 6 po (15,2 cm) = longueur totale 73 pi (22,2 m).



- A. Deux coudes 90° = 20 pi (6,1 m)
- B. 1 bouche de décharge murale = 40 pi (12,2 m)
- C. Raccord de transition de conduit rectangulaire/conduit rond = 5 pi (1,5 m)
- D. Sections de conduit rectiligne 2 pi (0,6 m) + 6 pi (1,8 m) = 8 pi (2,4 m)

Si le circuit d'évacuation existant est fait de conduit rond, on doit utiliser un raccord de transition de conduit rectangulaire à conduit rond. De plus on devra utiliser une extension de conduit rectangulaire de 3 po (7,6 cm) entre le registre et le raccord de transition rectangulaire/rond, pour éviter toute entrave à l'ouverture de la plaque du registre.

ASSISTANCE

Communiquez avec le marchand local autorisé ou le centre de service agréé. Lors de l'appel, vous aurez besoin des numéros de modèle et de série du four à micro-ondes. Les deux numéros sont situés sur la plaque signalétique, derrière la porte du four à micro-ondes, sur le châssis avant du four à micro-ondes.

Pour obtenir plus d'assistance, contactez-nous au numéro sans frais ou visitez notre site Web mentionné dans le guide d'utilisation.

Pièces de rechange

S'il est nécessaire de remplacer n'importe quel élément du matériel d'installation, contactez-nous au numéro sans frais indiqué dans le guide d'utilisation.

Vous trouverez ci-après une liste des pièces de rechange disponibles. Vous aurez besoin du numéro de modèle situé sur la partie avant, face à l'ouverture du four à micro-ondes, derrière la porte.

- Registre
- Plaque de montage
- Ensemble de vis de montage (incluant les pièces A à G présentées à la section « Pièces fournies » de la rubrique « Outils et pièces »)

