

ELECTRIC RANGES



FEATURING



TimeSaver™ system

The TimeSaver™ system's Frozen Bake Technology allows you to skip preheating for favorites like pizza, lasagna, chicken nuggets, fries or pies so you can cook frozen foods faster.*



HeatRight™ system

The HeatRight™ system's True convection helps you to cook food faster** with a rear fan and third heating element to circulate hot air over, under, and around food.



QuickSelect™ system

The QuickSelect™ system's FlexHeat™ triple radiant element is like having three elements in one. A 6" inner ring is great for smaller pots and pans, while 9" and 12" outer rings make room to heat larger cookware.

Every day, care.™

From the #1 Selling Appliance brand in the USA†

Electric Ranges



WFE745HOF

NEW

30" Freestanding Range - 6.4 cu. ft.



TimeSaver™ system

- Frozen Bake™ Technology



HeatRight™ system

- True Convection
- Convection Conversion
- Temperature Sensor



QuickSelect™ system

- FlexHeat™ Triple Radiant Element
- FlexHeat™ Dual Radiant Element



ReadySet™ system

- Rapid Preheat
- Keep Warm
- Delay Cook
- Warm Zone Element



CompleteClean system

- Aqualift® Self-cleaning Technology
- Easy Wipe Ceramic Glass Cooktop
- Dishwasher-safe knobs

Available colors



S
Stainless
Steel

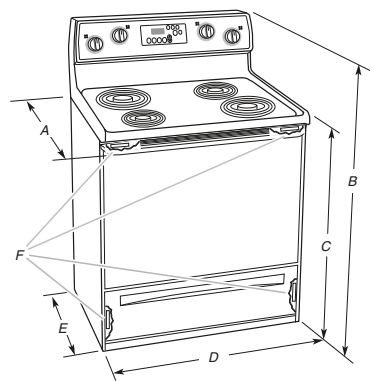


H
White
Ice



E
Black
Ice

Product Dimensions



- A. 27³/₈" (70.5 cm) max. depth with handle
- B. 46⁵/₈" (119.1 cm) overall height (max.) with leveling legs screwed all the way in†
- C. 36" (91.4 cm) cooktop height (max.) with leveling legs screwed all the way in†
- D. 29⁷/₈" (75.9 cm) width
- E. 25⁵/₈" (64.3 cm) depth - back of range to front of cooktop**
- F. Model/serial rating plate (located on the frame behind a top corner of the door or either side of the drawer)

IMPORTANT: Range must be level after installation. Follow the instructions in the "Level Range" section. Using the cooktop as a reference for leveling the range is not recommended.

*Range can be raised approximately 1" (2.5 cm) by adjusting the leveling legs.

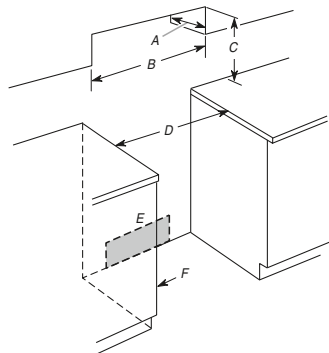
**Front of door and drawer may extend further forward depending on styling.

Cabinet Dimensions

Cabinet opening dimensions shown are for 25" (64.0 cm) countertop depth, 24" (61.0 cm) base cabinet depth and 36" (91.4 cm) countertop height.

IMPORTANT: If installing a range hood or microwave hood combination above the range, follow the range hood or microwave hood combination installation instructions for dimensional clearances above the cooktop surface.

A freestanding range may be installed next to combustible walls with zero clearance.



- A. 13" (33.0 cm) max. upper cabinet depth
- B. 30" (76.2 cm) min. opening width
- C. For minimum clearance to top of cooktop, see NOTE*
- D. 30¹/₂" (76.5 cm) min. opening width
- E. Outlet - 8" (20.3 cm) to 22" (55.9 cm) from either cabinet, 5¹/₂" (14.0 cm) max. from floor
- F. Cabinet door or hinges should not extend into the cutout

*NOTE: 24" (61.0 cm) minimum when bottom of wood or metal cabinet is covered by not less than 1/4" (0.64 cm) flame retardant milboard covered with not less than No. 28 MSG sheet steel, 0.015" (0.4 mm) stainless steel, 0.024" (0.6 mm) aluminum or 0.020" (0.5 mm) copper.

30" (76.2 cm) minimum clearance between the top of the cooking platform and the bottom of an uncovered wood or metal cabinet.

ACCESSORIES & REPLACEMENT PARTS

- Part number 8273888A Anti-Tip Kit for Range
- Part number PT220 4' 3-Wire 40 amp Range Cord
- Part number PT400 4' 4-Wire 40 amp Range Cord
- Part number PT600 6' 4-Wire 40 amp Range Cord
- Part number 8171394RC 4' 4-Wire 40 amp Power Cord
- Part number 8171385RC 4' 3-Wire 40 amp Power Cord
- Part number 4378577 Brick Baking Stone
- Part number 4396923 Porcelain Broiler Pan & Grid
- Part number W10123240 Premium Broil Pan & Roasting Rack
- Part number 8009 Appliance Light Bulb - 40 Watt



*Compared to a traditional preheat and bake cycle for pizza, nuggets/fries, pies and lasagna. **Compared to thermal-bake cycle on the same model. †Based on 12-month average of unit sales. Refrigeration, Cooking, Dishwashers, and Laundry appliances. Traqline, 2014.