



# BUILT-IN ELECTRIC SINGLE AND DOUBLE OVEN USER INSTRUCTIONS

THANK YOU for purchasing this high-quality product. Register your new oven at [www.whirlpool.com](http://www.whirlpool.com). In Canada, register your oven at [www.whirlpool.ca](http://www.whirlpool.ca).

For future reference, please make a note of your product model and serial numbers. These can be located on the right-hand side underneath the control panel.

Model Number \_\_\_\_\_ Serial Number \_\_\_\_\_

## Table of Contents

<b>OVEN SAFETY</b> .....	<b>2</b>
<b>OVEN USE</b> .....	<b>3</b>
Feature Guide .....	3
Touch Panel .....	4
Display .....	4
Display Navigation .....	4
Set-Up and Demo Mode .....	4
Cooking Methods .....	5
Favorites .....	7
Assisted Cooking .....	7
Tools .....	8
More Modes .....	9
<b>OVEN USE</b> .....	<b>10</b>
Aluminum Foil .....	10
Positioning Racks and Bakeware .....	10
Roll-Out Extension Rack .....	11
Oven Vent(s) .....	11
Preheating and Oven Temperature .....	12
Baking and Roasting .....	12
Broiling .....	12
Temperature Probe .....	12
Convection Cooking .....	13
Self-Cleaning Cycle .....	14
Steam Clean .....	15
General Cleaning .....	15
Oven Lights .....	16
<b>TROUBLESHOOTING</b> .....	<b>17</b>
<b>ASSISTANCE OR SERVICE</b> .....	<b>18</b>
In the U.S.A. ....	18
Accessories .....	18
In Canada .....	18
<b>WARRANTY</b> .....	<b>19</b>

# OVEN SAFETY

## Your safety and the safety of others are very important.

We have provided many important safety messages in this manual and on your appliance. Always read and obey all safety messages.



This is the safety alert symbol.

This symbol alerts you to potential hazards that can kill or hurt you and others.

All safety messages will follow the safety alert symbol and either the word "DANGER" or "WARNING." These words mean:

 **DANGER**

**You can be killed or seriously injured if you don't immediately follow instructions.**

 **WARNING**

**You can be killed or seriously injured if you don't follow instructions.**

All safety messages will tell you what the potential hazard is, tell you how to reduce the chance of injury, and tell you what can happen if the instructions are not followed.

## IMPORTANT SAFETY INSTRUCTIONS

**WARNING:** To reduce the risk of fire, electrical shock, injury to persons, or damage when using the oven, follow basic precautions, including the following:

- Proper Installation – Be sure the oven is properly installed and grounded by a qualified technician.
- Never Use the Oven for Warming or Heating the Room.
- Do Not Leave Children Alone – Children should not be left alone or unattended in area where oven is in use. They should never be allowed to sit or stand on any part of the oven.
- Wear Proper Apparel – Loose-fitting or hanging garments should never be worn while using the oven.
- User Servicing – Do not repair or replace any part of the oven unless specifically recommended in the manual. All other servicing should be referred to a qualified technician.
- Storage in Oven – Flammable materials should not be stored in an oven.
- Do Not Use Water on Grease Fires – Smother fire or flame or use dry chemical or foam-type extinguisher.
- Use Only Dry Potholders – Moist or damp potholders on hot surfaces may result in burns from steam. Do not let potholder touch hot heating elements. Do not use a towel or other bulky cloth.
- Use Care When Opening Door – Let hot air or steam escape before removing or replacing food.
- Do Not Heat Unopened Food Containers – Build-up of pressure may cause container to burst and result in injury.

- Keep Oven Vent Ducts Unobstructed.
- Placement of Oven Racks – Always place oven racks in desired location while oven is cool. If rack must be moved while oven is hot, do not let potholder contact hot heating element in oven.
- DO NOT TOUCH HEATING ELEMENTS OR INTERIOR SURFACES OF OVEN – Heating elements may be hot even though they are dark in color. Interior surfaces of an oven become hot enough to cause burns. During and after use, do not touch, or let clothing or other flammable materials contact heating elements or interior surfaces of oven until they have had sufficient time to cool. Other surfaces of the oven may become hot enough to cause burns – among these surfaces are oven vent openings and surfaces near these openings, oven doors, and windows of oven doors.

### For self-cleaning ovens:

- Do Not Clean Gasket – The gasket is essential for a good seal. Care should be taken not to rub, damage, or move the gasket.
- Do Not Use Oven Cleaners – No commercial oven cleaner or oven liner protective coating of any kind should be used in or around any part of the oven.
- Clean Only Parts Listed in Manual.
- Before Self-Cleaning the Oven – Remove broiler pan and other utensils.

## SAVE THESE INSTRUCTIONS

State of California Proposition 65 Warnings:

WARNING: This product contains one or more chemicals known to the State of California to cause cancer.

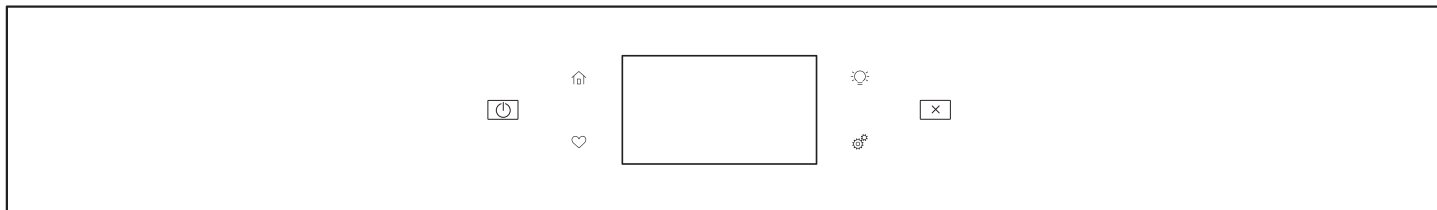
WARNING: This product contains one or more chemicals known to the State of California to cause birth defects or other reproductive harm.

# OVEN USE

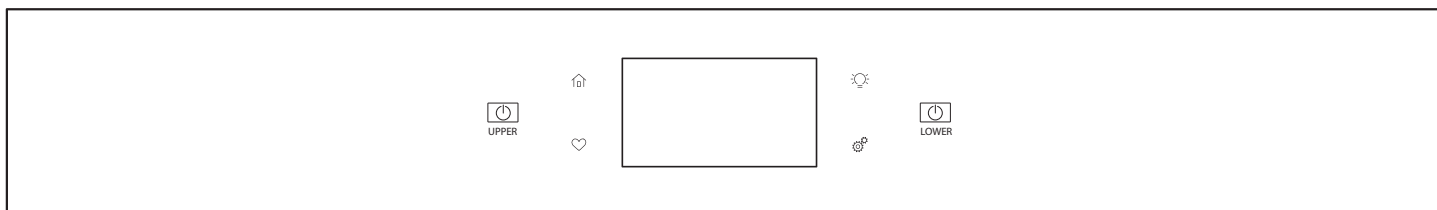
## Feature Guide








This manual covers several models. Your model may have some or all of the items listed. Refer to this manual or Frequently Asked Questions (FAQs) section of our website at [www.whirlpool.com](http://www.whirlpool.com) for more detailed instructions. In Canada, reference the Customer Service section at [www.whirlpool.ca](http://www.whirlpool.ca).

### Single Oven



### Double Oven



Keypad	Feature	Instructions
<b>Tools</b> 	<b>Oven Use Functions</b>	The Tools keypad enables you to personalize the audible tones and oven operation to suit your needs. See the “Tools” and “More Modes” sections.
<b>Home</b> 	<b>Home Screen</b>	If pressed once, the Home Screen enables the user to return to the “Cooking Methods” and “Assisted Cooking” screen. If pressed twice, the time of day is displayed.
<b>Favorites</b> 	<b>Favorites</b>	The Favorites keypad allows the user to save the cycles that they use on a frequent basis.
<b>Oven Light</b> 	<b>Oven Cavity Light</b>	The oven light is controlled by a keypad on the oven control panel. While the oven door is closed, press the Oven Light keypad to turn the light on and off. When the oven door is opened, the oven light will automatically turn on.
<b>Oven Power (Single ovens only)</b> 	<b>Oven Function Power</b>	The Oven Power keypad begins oven function and wakes it from sleep mode.
<b>Oven Cancel (Single ovens only)</b> 	<b>Oven Function Cancel</b>	The Oven Cancel keypad stops any oven function except the Clock, Timer, and Control Lock in the selected oven.
<b>Upper Lower (Double ovens only)</b> 	<b>Oven Function Power/Cancel</b>	The Upper and Lower keypads turns the selected oven on and wakes it from Sleep mode. If the selected oven is already on, the Upper or Lower keypad stops any oven function except the Clock, Timer, and Control Lock in the selected oven.

---

## Touch Panel

The touch panel houses the control menu and function controls. The touch keypads are very sensitive and require only a light touch to activate. Scroll up, down, left, or right to explore the different options and features.

For more information about the individual controls, see their respective sections in this manual.

---

## Display

The display is for both the menu and oven function controls. The touchscreen allows you to scroll through the oven menus. The display is very sensitive and requires only a light touch to activate and control.

When an oven is in use, the display will show the clock, mode, oven temperature, kitchen timer, and oven timer, if set. If the oven timer is not set, you can set it from this screen.

After approximately 2 minutes of inactivity, the display will go into sleep mode and the display will dim. When the oven is in operation, the display will remain bright.

During use, the display will show menus and the appropriate selections for the options being chosen.

---

## Display Navigation

If the oven is off, press the Oven Power or Upper/Lower keypad for the desired oven to activate the menu. From this screen, all automatic cooking programs can be activated, all manual cooking programs can be set, options can be adjusted, and instructions, preparation, and tips can be accessed.

---

## Set-Up and Demo Mode

1. Select STORE DEMO MODE to enter Demo Mode.

**OR**

1. Select NEXT to enter into product use.
2. Follow the prompts on the display screen to select a language, set up Wi-Fi/connect to network, accept the terms of service and set the time.

**NOTE:** The display screen will show the time and date (default screen/standby mode).

3. Select TRY THE PRODUCT to explore various features and options of the product.

**OPTIONAL:** Select VIEW PRODUCT VIDEOS to view a video about how to navigate and interact with the product, explore Voice Control, and Scan-To-Cook.

4. Scroll and Select EXPLORE.
5. Select the Tools keypad (Gear icon).

To exit Demo Mode, see the “Tools” section.

## Cooking Methods

### **⚠ WARNING**

#### Food Poisoning Hazard

**Do not let food sit in oven more than one hour before or after cooking.**

**Doing so can result in food poisoning or sickness.**

Cooking Method	Feature	Instructions
<b>BAKE</b>	<b>Baking and Roasting</b>	<ol style="list-style-type: none"> <li>1. Press the Oven Power or Upper/Lower keypad for the desired oven.</li> <li>2. Select COOKING METHODS.</li> <li>3. Select BAKE.</li> <li>4. Select the desired temperature by scrolling left to right or manually by selecting the grid in the upper right corner and entering the bake temperature into the keypad.</li> <li>5. Select START to begin preheating. A tone will sound when preheating is complete. (Optional) To quickly preheat the oven, see the “Rapid Preheat” section for more information.</li> <li>6. Press the Oven Cancel or Upper or Lower keypad for the desired oven when finished.</li> </ol>
<b>BROIL</b>	<b>Broiling</b>	<ol style="list-style-type: none"> <li>1. Press the Oven Power or Upper/Lower keypad for the desired oven.</li> <li>2. Select COOKING METHODS.</li> <li>3. Select BROIL.</li> <li>4. Select the desired temperature by scrolling left to right or manually by selecting the grid in the upper right corner and entering the broil temperature into the keypad.</li> <li>5. Select START.</li> <li>6. Press the Oven Cancel or Upper/Lower keypad for the desired oven when finished.</li> </ol>
<b>CONVECT BAKE</b>	<b>Convection Baking</b>	<ol style="list-style-type: none"> <li>1. Press the Oven Power or Upper/Lower keypad for the desired oven.</li> <li>2. Select COOKING METHODS.</li> <li>3. Select CONVECT BAKE.</li> <li>4. Select the desired temperature by scrolling left to right or manually by selecting the grid in the upper right corner and entering the Convection Bake temperature into the keypad.</li> <li>5. Select START to begin preheating. A tone will sound when preheating is complete. (Optional) To quickly preheat the oven during Convection Bake, see the “Rapid Preheat” section.</li> <li>6. Press the Oven Cancel or Upper/Lower keypad for the desired oven when finished. For more information, see the “Convection Cooking” section.</li> </ol>
<b>CONVECT BROIL</b>	<b>Convection Broiling</b>	<ol style="list-style-type: none"> <li>1. Press the Oven Power or Upper/Lower keypad for the desired oven.</li> <li>2. Select COOKING METHODS.</li> <li>3. Select CONVECT BROIL.</li> <li>4. Select the desired temperature by scrolling left to right or manually by selecting the grid in the upper right corner and entering the Convection Broil temperature into the keypad.</li> <li>5. Select START.</li> <li>6. Press the Oven Cancel or Upper/Lower keypad for the desired oven when finished. For more information, see the “Convection Cooking” section.</li> </ol>

Cooking Method	Feature	Instructions
<b>CONVECT</b>	<b>Convection Roasting</b>	<ol style="list-style-type: none"> <li>1. Press the Oven Power or Upper/Lower keypad for the desired oven.</li> <li>2. Select COOKING METHODS.</li> <li>3. Select CONVECT ROAST.</li> <li>4. Select the desired temperature by scrolling left to right or manually by selecting the grid in the upper right corner and entering the Convection Roast temperature into the keypad.</li> <li>5. Select START to begin preheating. A tone will sound when preheating is complete.</li> <li>6. Press the Oven Cancel or Upper/Lower keypad for the desired oven when finished.</li> </ol> <p>For more information, see the “Convection Cooking” section.</p>
<b>KEEP WARM</b>	<b>Keep Warm</b>	<p>Food must be at serving temperature before placing it in the warmed oven.</p> <ol style="list-style-type: none"> <li>1. Press the Oven Power or Upper/Lower keypad for the desired oven.</li> <li>2. Select COOKING METHODS.</li> <li>3. Select KEEP WARM.</li> <li>4. Select the desired temperature by scrolling left to right or manually by selecting the grid in the upper right corner and entering the desired temperature into the keypad.</li> <li>5. Select START.</li> <li>6. Press the Oven Cancel or Upper/Lower keypad for the desired oven when finished.</li> </ol>
<b>RAPID</b>	<b>Rapid Oven Preheating</b>	<p>Provides the fastest preheat time for the Bake function. Rapid Preheat is preset to off.</p> <ol style="list-style-type: none"> <li>1. Select RAPID to toggle between turning the rapid preheat Off and On.</li> <li>2. The current setting will be displayed.</li> </ol> <p><b>IMPORTANT:</b> This feature should only be used for one-rack baking. Unused racks should be removed prior to Rapid Preheat. A standard rack should be used for Rapid Preheat. If preheating for the Bake cycle has already started, Rapid Preheat may be started by selecting Rapid.</p>
<b>DELAY START</b>	<b>Delayed Start</b>	<p>Delay Start is used to enter the ending cook time for an oven function with a delayed start. Once the cooking method is selected, input the bake temperature. Select DELAY and follow the prompts on the screen.</p> <p><b>NOTE:</b> Delay Start should not be used for foods such as breads and cakes because they may not bake properly.</p>
<b>COOK TIME</b>	<b>Timed Cooking</b>	<p>Cook Time allows the oven to be set to turn on at a certain time of day, cook for a set length of time, and/or shut off automatically.</p>

## Favorites

The Favorites feature stores the oven mode and temperature for your favorite recipe.

As you continue to utilize your Favorites tool, your product will refine and tailor suggestions towards your cooking cravings/needs.

**NOTE:** A select set of Favorites and suggestions may be automatically shown on the Home screen based on your meal times.

To save a recipe, select the Favorites keypad (heart icon) and follow the prompts on the screen to customize your favorites.

Add an image or name to the favorite to customize it to your preferences.

## Assisted Cooking

Assisted cooking helps you select the right mode for your everyday cooking needs.

Some modes allow you to skip preheat. Follow the prompts on screen for guidance throughout the cooking process.

**NOTE:** Traditional bake temperatures will be converted to convection bake temperatures. Convection Bake requires time and temperature input. It also requires preheat.

Traditional roast times will be converted to convection roast times. Convection Roast requires time and temperature input, but preheat is not required.

Some modes will convert standard bake times for convection cooking. Input your time and temperature and your screen will convert accordingly.

Assisted Cooking Modes	Food Selections	Tips for best results
<b>FROZEN</b>	<ul style="list-style-type: none"> <li>■ Frozen Pizza</li> <li>■ Frozen Pie</li> <li>■ Frozen Fries</li> <li>■ Frozen Lasagna</li> <li>■ Frozen Nuggets</li> <li>■ Frozen Meals</li> </ul>	<p>Frozen foods do not require preheat. Insert food right away, Input the manufacturer's maximum recommended time and temperature.</p> <p>For more information, see the "Frozen Bake™" section.</p>
<b>POULTRY</b>	<ul style="list-style-type: none"> <li>■ Chicken Pieces</li> <li>■ Whole Chicken</li> </ul>	<p>Poultry food items do not require preheat. Insert food right away.</p>
<b>SEAFOOD</b>	<ul style="list-style-type: none"> <li>■ Fish Fillet</li> <li>■ Fish Sticks</li> </ul>	<p>Fish fillet and fish sticks require preheat. Insert food when preheat is complete.</p>
<b>BAKED GOODS</b>	<ul style="list-style-type: none"> <li>■ Biscuits</li> <li>■ Croissants</li> </ul>	<p>Baked goods require preheat. Insert food when preheat is complete.</p>
<b>DESSERTS</b>	<ul style="list-style-type: none"> <li>■ Cake</li> <li>■ Fresh Pie</li> <li>■ Cookies</li> <li>■ Frozen Pie</li> </ul>	<p>Cake and cookies and fresh pies requires preheat. Insert food when preheat is complete.</p> <p>Frozen pie does not require preheat. Insert food right away, Input the manufacturer's maximum recommended time and temperature.</p>
<b>PIZZA</b>	<ul style="list-style-type: none"> <li>■ Fresh Pizza</li> <li>■ Frozen Pizza</li> </ul>	<p>Fresh pizza does require preheat.</p> <p>Frozen pizza does not require preheat. Insert food right away, Input the manufacturer's maximum recommended time and temperature.</p> <p>For more information, see the "Frozen Bake™" section.</p>
<b>MEATS</b>	<ul style="list-style-type: none"> <li>■ Meatloaf</li> <li>■ Pork Roast</li> <li>■ Beef Roast</li> <li>■ Lamb Roast</li> </ul>	<p>Meatloaf requires preheat. Insert food when preheat is complete.</p> <p>Lamb, beef, and pork roasts do not require preheat. Insert food right away.</p>
<b>VEGGIES</b>	<ul style="list-style-type: none"> <li>■ Baked Potato</li> <li>■ Roasted Fresh Veggies</li> </ul>	<p>Roasted fresh veggies and baked potato do not require preheat. Insert food right way.</p>
<b>CASSEROLES</b>	<ul style="list-style-type: none"> <li>■ Casserole</li> <li>■ Frozen Lasagna</li> </ul>	<p>Casserole does require preheat. Insert food when preheat is complete.</p> <p>Frozen Lasagna does not require preheat. Insert food right away. Input the manufacturer's maximum recommended time and temperature. For more information, see the "Frozen Bake™" section.</p>
<b>SNACKS</b>	N/A	<p>Snacks require preheat. Insert food when preheat is complete.</p>

## Tools

The Tools keypad allows you access to functions and customization options for your oven. These tools allow you to set the clock, change the oven temperature between Fahrenheit and Celsius, turn the audible signals and prompts on and off, adjust the oven calibration, change the language, and more.

Select the Tools keypad to view the Tools features:

- Remote Enable
- Kitchen Timer
- Light
- Self-Clean
- Mute
- Control Lock
- Probe

See the “More Modes” section for more information.

Tool	Notes
<b>Remote Enable</b>	Select REMOTE ENABLE to enable the ability to utilize the Whirlpool® app. <b>NOTE:</b> Remote Enable turns off when the door is opened. It needs to be re-enabled each time it is going to be used.
<b>Kitchen Timer</b>	Set a kitchen timer by manually entering the desired time into the keypad. <ol style="list-style-type: none"><li>1. Select KITCHEN TIMER.</li><li>2. Manually input the time to the desired timer length.</li><li>3. Select START.</li><li>4. Select the oven cancel keypad to end the Kitchen Timer.</li></ol>
<b>Light</b>	Select LIGHT to turn the light on and off. When the oven door is opened, the oven light will automatically turn on.
<b>Self-Clean</b>	See the “Self-Cleaning Cycle” section
<b>Mute</b>	Select MUTE to mute or unmute the oven sounds.
<b>Control Lock</b>	The Control Lock shuts down the control panel keypads to avoid unintended use of the oven(s). The Control Lock will remain set after a power failure, if set before the power failure occurs. When the control is locked, only the Oven Power, Tools, and Oven Light keypads will function. The Control Lock is preset to be unlocked, but can be locked. <b>To Lock or Unlock Control:</b> <ol style="list-style-type: none"><li>1. Check that the oven is off.</li><li>2. Select the Control Lock keypad.</li><li>3. Control Lock will display.</li><li>4. Scroll up to unlock. No keypads will function.</li></ol>
<b>Probe</b>	Use for probe Cooking Mode.

### Preferences

#### Times and Dates

Set time and date preferences.

**NOTE:** If user is connected to Wi-Fi, time and date will be set automatically.

#### Your Meal Times

Adjust when breakfast/lunch/dinner is shown

- Time
- Date
- Time Format (AM/PM vs. 24 hour [Military Time])

#### Sound Volume

Set sound volume preferences.

- Timers and Alerts
- Buttons and Effects

#### Display Settings

Set the display settings.

- Display Brightness: Set the display brightness
- Emphasize Info When I Am Far: Turn on or off

#### Regional

Set regional preferences.

- **Language:** English, Spanish, or French
- **Temperature Units:** Fahrenheit and Celsius

### Wi-Fi

- **Connect to Network:** Download the Whirlpool® App from the app store on your mobile phone. See the Connectivity Setup sheet for more detailed instructions.
- **SAID Code:** The SAID code is used to sync a smart device with your appliance.
- **MAC Address:** MAC Address is displayed for the Wi-Fi module.
- **Wi-Fi Radio:** Turn Wi-Fi on or off.

### Info

- **Service and Support:** Displays model number, Customer Support contact info, and Diagnostics.
- **Store Demo Mode:** Select Store Demo Mode to toggle Demo Mode off and on.

#### Start Demo Mode:

1. Select the Tools keypad (Gear icon).
2. Scroll and select INFO.
3. Select Store Demo Mode and select On.

**NOTE:** The display screen will show the time.

4. Select the Tools keypad.
5. Select TRY THE PRODUCT or VIEW PRODUCT VIDEOS.

If the unit is in Demo Mode after power up, follow these steps to exit the demo mode.

#### Exit Demo Mode:

1. Select TRY THE PRODUCT.
2. Scroll and Select EXPLORE.
3. Select the Tools keypad (Gear icon).
4. Scroll and select INFO.
5. Select STORE DEMO MODE and Select OFF.
6. Select YES on the confirmation screen.

■ **Restore Factory:** This will restore your product to the original factory default settings.

■ **Wi-Fi Terms and Conditions:** [www.whirlpool.com/connect](http://www.whirlpool.com/connect).

■ **Software Terms and Conditions.**



---

## More Modes

---

### Temperature Calibration

**IMPORTANT:** Do not use a thermometer to measure the oven temperature. Elements will cycle on and off as needed to maintain a consistent temperature but may run slightly hot or cool at any point in time due to this cycling. Opening the oven door will affect cycling of the elements and impact the temperature.

The oven provides accurate temperatures and has been thoroughly tested at the factory. However, it may cook faster or slower than your previous oven, causing baking or browning differences. If necessary, the temperature calibration can be adjusted in either Fahrenheit or Celsius.

On double ovens, the upper oven and the lower oven can each be calibrated independently.

A minus sign means the oven will be cooler by the displayed amount. The absence of a minus sign means the oven will be warmer by the displayed amount. Adjust the oven temp up to +/-30° (+/-18°C). It is recommended to make changes in 5°F (3°C) increments until desired results are achieved.

**NOTE:** The oven display will continue to show the original set temperature and will not reflect the calibration offset. For example, if set to 350° (177°C) and calibrated to -20, the display will continue to show 350° (177°C).

### To Adjust Oven Temperature Calibration:

1. Press the Tools keypad.
2. Select MORE MODES.
3. Select TEMPERATURE CALIBRATION.
4. Scroll from left to right to increase or decrease the temperature.

**NOTE:** On double ovens, the upper oven and the lower oven can be independently calibrated.

### Sabbath Mode

For guidance on usage and a complete list of models with Sabbath Mode, visit [www.star-k.org](http://www.star-k.org).

The Sabbath Mode sets the oven to remain on in a bake setting until disabled.

When the Sabbath Mode is activated, only the Bake cycle will operate. All other cooking and cleaning cycles are disabled. No tones will sound, and the displays will not indicate temperature changes. When the oven door is opened or closed, the oven light will not turn on or off, and the heating elements will not turn on or off immediately.

For double ovens, the upper and lower oven temperatures and cook timers can be set independently.

If a cook timer is set, the countdown will appear. The timer will countdown once the timer is set.

**NOTE:** If a power failure happens while Sabbath Mode is running, the oven will show Sabbath Mode is on, but the Bake cycle will not be on. If the oven door is opened during this time, the oven light will not turn on.

### To enable and activate Sabbath Mode:

1. Press the Tools keypad.
2. Select MORE MODES.
3. Select SABBATH MODE.
4. Press SABBATH MODE again to enable Sabbath Mode (Sabbath Mode is preset to Off).
5. Select YES if you would like to have both ovens or just one oven on and baking during the Sabbath.
6. If only one oven is to be used, select that one. Once the cavity is selected, the user will be prompted to input the temperature and cook time.  
If Sabbath Mode is to be used for both ovens, select each oven cavity separately. Once the cavity is selected, the user will be prompted to input the temperature and cook time for each cavity independently.  
(Optional) For timed cooking in Sabbath Mode, select ADD A COOK TIME for the selected oven, enter the desired cook time, and then select NEXT.
7. Select START.

### To disable and exit Sabbath Mode:

1. Press the Oven Power/Cancel keypad.
2. Press and hold the display screen for 3 seconds.

### To Adjust Temperature for single and double oven models:

1. Press the +/- 25 on the display screen to select the new temperature.

**NOTE:** The temperature adjustment will not appear on the display, and no tones will sound.

# OVEN USE

## Aluminum Foil

**IMPORTANT:** To avoid permanent damage to the oven bottom finish, do not line the oven bottom with any type of foil or liner.

For best cooking results, do not cover entire oven rack with foil because air must be able to move freely.

To catch spills, place foil on rack below dish. Make sure foil is at least 1/2" (13 mm) larger than the dish and that it is turned up at the edges.

## Positioning Racks and Bakeware

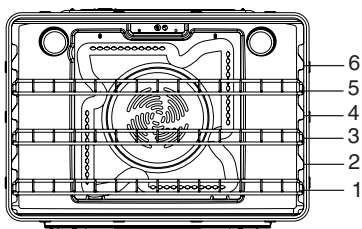
**IMPORTANT:** To avoid permanent damage to the porcelain finish, do not place food or bakeware directly on the oven door or bottom.

### Racks

- Position racks before turning on the oven.
- Do not position racks with bakeware on them.
- Make sure racks are level.
- Place food so it will not rise into the broil element. Allow at least 1/2" (13 mm) between pans and the broil element.

To move a rack, pull it out to the stop position, raise the front edge, and then lift it out. Use the following illustrations and charts as a guide for positioning racks.

### Rack Positions: Upper and Lower Oven



### Broiling

Food	Rack Position
Most broiling	6

For hamburger patties to have a well-seared exterior and a rare interior, use a flat rack in position 6. Side 1 should cook for approximately 3 minutes. Side 2 should cook for approximately 3 to 4 minutes. Expect a moderate degree of smoke when broiling.

### Traditional Cooking

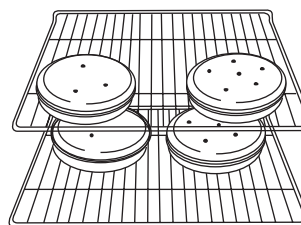
Food	Rack Position
Large roasts, turkeys, angel food, bundt cakes, quick breads, pies	1 or 2
Yeast breads, casseroles, meat and poultry	2
Cookies, biscuits, muffins, cakes	2 or 3 when single-rack baking; 2 and 5 when multi-rack baking.

### Convection Cooking

Oven Setting	Number of Racks Used	Rack Position(s)
Rapid Preheat Bake	1	3
Rapid Preheat Convection Bake	1	3
Convection Bake	1	1, 2, or 3
Convection Bake	2	2 and 5
Convection Bake	3	1, 3, and 5
Convection Roast	1	1 or 2
Convection Broil	1	4, 5, or 6

### Baking Layer Cakes on Two Racks

For best results when baking cakes on two racks, use rack positions 2 and 5 with the Bake function. Place the cakes on the racks as shown. Keep at least 2" (5.0 cm) of space between the front of the racks and the front of the cakes.



### Baking Cookies on Two Racks

For best results when baking cookies on two racks, use rack positions 2 and 5 with the Convection Bake function.

### Bakeware

To cook food evenly, hot air must be able to circulate. Allow 2" (5.0 cm) of space around bakeware and oven walls. Use the following chart as a guide.

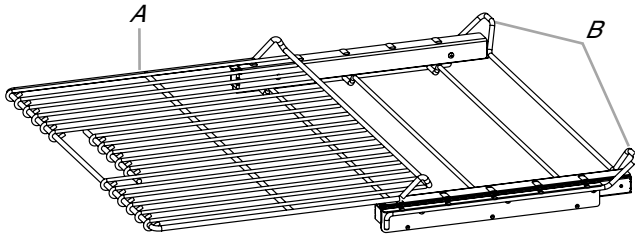
Number of Pan(s)	Position on Rack
1	Center of rack.
2	Side by side or slightly staggered.
3 or 4	Refer to the previous illustration.

**NOTE:** Bakeware materials and color may affect results. Dark, dull, non-stick or glass pans may require shorter baking times, in contrast insulated or stainless steel pans may require longer baking times. Follow bakeware manufacturer's recommendations.

## Roll-Out Extension Rack

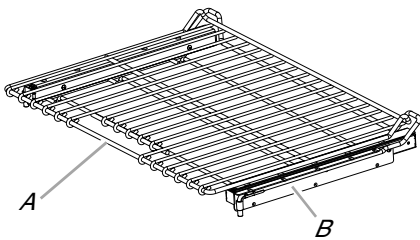
The roll-out extension rack allows easy access to position food in the oven, and remove food from the oven. It can be used in rack positions 1 through 6.

### Open Position



A. Roll-out extension rack  
B. Sliding shelf

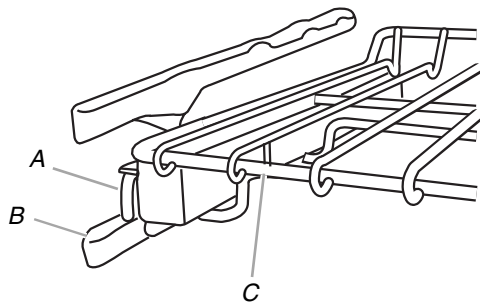
### Closed and Engaged Position



A. Roll-out extension rack  
B. Sliding shelf

### To Remove Roll-Out Extension Rack:

1. Slide the rack in completely so that it is closed and engaged with the sliding shelf.
2. Using two hands, lift up on the front edge of the rack and push the sliding shelf to the back wall of the oven so that the front edge of the sliding shelf sits on the rack guides. The front edge of the rack and the sliding shelf should be higher than the back edge.



A. Sliding shelf  
B. Rack guide  
C. Roll-out extension rack

3. Pull the rack and the sliding shelf out.

### To Replace Roll-Out Extension Rack:

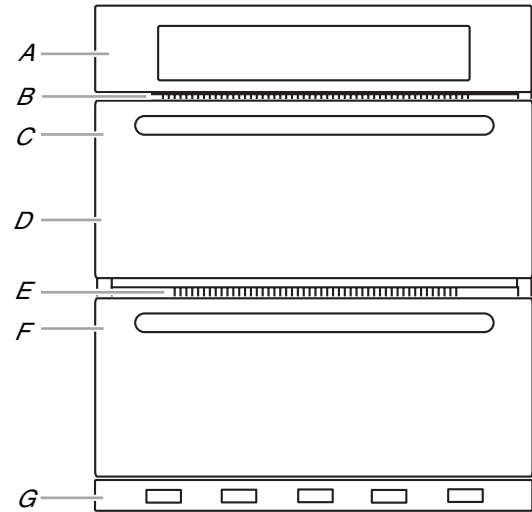
1. Using two hands, grasp the front of the closed rack and the sliding shelf. Place the closed rack and the sliding shelf on the rack guide.
2. Using two hands, lift up on the front edge of the rack and the sliding shelf together.
3. Slowly push the rack and the sliding shelf to the back of the oven until the back edge of the rack pulls over the end of the rack guide.

To avoid damage to the sliding shelves, do not place more than 25 lbs (11.4 kg) on the rack.

Do not clean the roll-out extension rack in a dishwasher. It may remove the rack's lubricant and affect its ability to slide.

See the "General Cleaning" section for more information.

## Oven Vent(s)



Single and Double Oven	Double Oven
A. Control panel	D. Upper oven
B. Oven vent	E. Oven vent
C. Single oven or upper double oven	F. Lower oven
	G. Bottom vent

The oven vent(s) should not be blocked or covered since they allow the inlet of fresh air into the cooling system. Also, the bottom vent should not be blocked or covered since it allows the inlet of fresh air into the cooling system and the outlet of hot air from the cooling system. Blocking or covering vents will cause poor air circulation, affecting cooking, cleaning, and cooling results.

---

## Preheating and Oven Temperature

### Preheating

When beginning a Bake, Convection Bake or Convection Roast cycle, the oven will begin preheating after Start is pressed. The oven will take approximately 12 to 17 minutes to reach 350°F (177°C) with all of the oven racks provided with your oven inside the oven cavity. Higher temperatures will take longer to preheat. The preheat cycle rapidly increases the oven temperature. The actual oven temperature will go above your set temperature to offset the heat lost when your oven door is opened to insert food. This ensures that when you place your food in the oven, the oven will begin at the proper temperature. Insert your food when the preheat tone sounds. Do not open the door during preheat before the tone sounds.

### Rapid Preheat

Rapid Preheat can be used to shorten the preheating time. Only one standard flat oven rack should be in the oven during Rapid Preheat. Extra racks should be removed prior to starting. The preheating cycle should be completed before placing food in the oven. When the Rapid Preheat cycle is complete, the oven starts a normal Bake cycle.

**IMPORTANT:** Rapid Preheat should be used only for one-rack baking.

### Oven Temperature

While in use, the oven elements will cycle on and off as needed to maintain a consistent temperature, but they may run slightly hot or cool at any point in time due to this cycling. Opening the oven door while in use will release the hot air and cool the oven which could impact the cooking time and performance. It is recommended to use the oven light to monitor cooking progress.

**NOTE:** On models with convection, the convection fan may run in the non-convection bake mode to improve oven performance.

Before baking and roasting, position racks according to the “Positioning Racks and Bakeware” section. When roasting, it is not necessary to wait for the oven preheat cycle to end before putting food in unless it is recommended in the recipe.

---

## Baking and Roasting

**IMPORTANT:** The convection fan and convection element may operate during the Bake function to enhance performance and heat distribution.

The oven will take approximately 12 to 17 minutes to reach 350°F (177°C) with all oven racks inside the oven cavity. The preheat cycle rapidly increases the temperature inside the oven cavity. Higher temperatures will take longer to preheat. Factors that impact preheat times include room temperature, oven temperature, and the number of racks. Unused oven racks can be removed prior to preheating your oven to help reduce preheat time. The actual oven temperature will go above the set temperature to offset the heat lost when the oven door is opened to insert food. This ensures that the oven will begin at the proper temperature when you place food in the oven. Insert food when the preheat tone sounds. Do not open the door during preheat until the tone sounds.

During baking or roasting, the bake and broil elements will cycle on and off in intervals to maintain the oven temperature.

Depending on the model, if the oven door is opened during baking or roasting, the heating elements (bake and broil) will turn off approximately 30 seconds after the door is opened. They will turn on again approximately 30 seconds after the door is closed.

### Frozen Bake™

Frozen Bake™ Technology automatically adjusts the manufacturer’s bake time by combining preheating and baking to deliver great packaged frozen food results without the wait. There are multiple preprogrammed food options. When using Frozen Bake™ Technology, it is important that you follow all manufacturer’s instructions including venting, covering, stirring or placing on a baking sheet to ensure a good result. When cooking frozen meals, only cook items that provide instructions for cooking in a conventional oven. Place your dish in the center of the rack and select one of the rack positions recommended for Frozen Bake™ in the “Positioning Racks and Bakeware” section and bake only one package or pan at a time. Use the temperature and maximum bake time from the package.

A tone will alert you to check the food for doneness before the cook time is complete and again at the end of the cook time. The display will prompt you to add additional cook time if needed

---

## Broiling

When broiling, no preheating is necessary unless recommended otherwise in the recipe. Position food on grid in a broiler pan, and then place it in the center of the oven rack. Close the oven door to ensure proper broiling temperature.

**NOTE:** Odors and smoke are normal the first few times the oven is used or if the oven is heavily soiled.

Changing the temperature when broiling allows more precise control when cooking. The lower the broil setting, the slower the cooking. Thicker cuts and unevenly shaped pieces of meat, fish and poultry may cook better at lower broil settings. Place the food in the upper or lower oven. Refer to the “Positioning Racks and Bakeware” section for more information.

On lower settings, the broil element will cycle on and off to maintain the proper temperature.

- For best results, use a broiler pan and grid. It is designed to drain juices and help avoid spatter and smoke.

If you would like to purchase a broiler pan, one may be ordered. Please refer to the “Accessories” section for more information.

---

## Temperature Probe

The temperature probe accurately measures the internal temperature of meat, poultry and casseroles with liquid and should be used in determining the doneness of meat and poultry. The temperature probe should only be used with Bake, Convection Bake, or Convection Roast.

Always unplug and remove the temperature probe from the oven when removing food.

### To Use:

Before using, insert the probe into the food item. For meats, the probe tip should be located in the center of the thickest part of the meat and not into the fat or touching a bone. Place food in oven and connect the temperature probe to the jack. Keep probe as far away from heat source as possible. Close oven door

**NOTE:** The temperature probe must be inserted into the food item before the mode is selected.

- Use the Assisted Cooking feature for guidance and step by step instructions on inserting the probe and selecting target food internal temperatures
- Plug the probe into the oven’s port or pick the Probe icon in the Tool’s Menu. Both will show a pop-up that allows user to pick the cooking mode and all of the options. Place food in the oven and connect the temperature probe to the jack. Keep the probe as far away from the heat source as possible. Close the oven door.

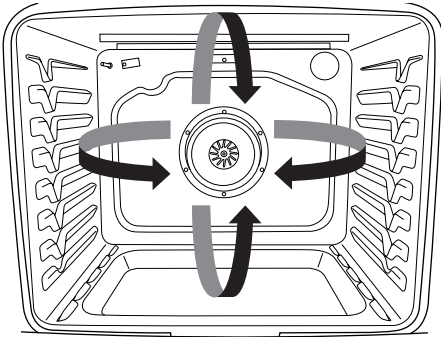
## Convection Cooking

In a convection oven, the fan-circulated hot air continually distributes heat more evenly than the natural movement of air in a standard thermal oven. This movement of hot air helps maintain a consistent temperature throughout the oven, cooking foods more evenly, crisping surfaces while sealing in moisture and yielding crustier breads.

During convection cooking, the bake, broil, and convection (true convection only) elements cycle on and off in intervals to maintain the oven temperature, while the fan circulates the hot air.

If the oven door is opened during convection cooking, the fan will turn off immediately. It will come back on when the oven door is closed.

**NOTE:** The oven door must be closed for convection broiling.



Position the racks according to the “Positioning Racks and Bakeware” section before starting convection cooking.

With convection cooking, most foods can be cooked at a lower temperature for a shorter length of time. These adjustments can be made using the following chart.

Setting	Guidelines
<b>CONVECT BAKE</b>	Reduce the standard baking temperature 25°F (15°C).
<b>CONVECT ROAST</b>	Use standard recipe temperature. Cooking time may be reduced by 15% to 30% with Convection Roast so the food should be checked for doneness early.
<b>CONVECT BROIL</b>	Use standard recipe temperature. Cooking time may be reduced so the food should be checked for doneness early.

### Convert Time/Temp

Convection temperatures and times differ from those of standard cooking. The Convert Time/Temp convection feature is a function that converts a standard thermal bake or roast cook time and temperature into an ideal cook time and temperature for convection cooking. The displayed time and temperature will be the converted for convection values.



## Self-Cleaning Cycle

### **⚠ WARNING**



#### **Burn Hazard**

**Do not touch the oven during the Self-Cleaning cycle.**

**Keep children away from oven during Self-Cleaning cycle.**

**Failure to follow these instructions can result in burns.**

**IMPORTANT:** The health of some birds is extremely sensitive to the fumes given off during the Self-Cleaning cycle. Exposure to the fumes may result in death to certain birds. Always move birds to another closed and well-ventilated room.

Self-clean the oven before it becomes heavily soiled. Heavy soil results in longer cleaning and more smoke.

Keep the kitchen well-ventilated during the Self-Cleaning cycle to help get rid of heat, odors, and smoke.

Do not block the oven vent(s) during the Self-Cleaning cycle. Air must be able to move freely. See the "Oven Vents" section.

Do not clean, rub, damage, or move the oven door gasket. The door gasket is essential for a good seal.

#### **Prepare Oven:**

- Remove the broiler pan, grid, cookware and bakeware, and, on some models, the temperature probe from the oven.
- Remove oven racks to keep them shiny and easy to slide. See the "General Cleaning" section for more information.
- Remove any foil from the oven because it may burn or melt, damaging the oven.
- Hand clean inside door edge and the 1½" (3.8 cm) area around the inside oven cavity frame, being certain not to move or bend the gasket. This area does not get hot enough during high-temp self-cleaning to remove soil. Do not let water, cleaner, etc., enter slots on door frame. Use a damp cloth to clean this area.
- Wipe out any loose soil to reduce smoke and avoid damage. Foods react with porcelain at high temperatures. Staining, etching, pitting, or faint white spots can result. This is normal and will not affect cooking performance.

#### **How the Cycle Works**

**IMPORTANT:** The heating and cooling of porcelain on steel in the oven may result in discoloring, loss of gloss, hairline cracks, and popping sounds.

The Self-Cleaning cycle uses very high temperatures, burning soil to a powdery ash.

Suggested clean times are 3 hours for light soil, 4 hours for medium soil, and 5 hours for heavy soil.

Once the oven has completely cooled, remove ash with a damp cloth. To avoid breaking the glass, do not apply a cool damp cloth to the inner door glass before it has completely cooled.

The oven lights will not work during the Self-Cleaning cycle.

**NOTE:** The oven has a 2-speed cooling fan motor. During the Self-Cleaning cycle, the fan(s) will operate at its highest speed to increase airflow to better exhaust the hotter air through the oven vent(s). An increase in noise may be noticeable during and after the Self-Cleaning cycle until the oven cools.

Before Self-Cleaning, make sure the door is closed completely or it will not lock and the cycle will not begin. When the oven is locked, the doors of the oven cannot be opened. To avoid damage to the doors, do not force the doors open when the oven is locked.

1. Touch the Tools keypad.
2. Select the Self Clean icon.  
(On double-oven models) Select UPPER CAVITY or LOWER CAVITY.
3. Select type of Self-Cleaning:
  - **Steam:** 1 hour: Clean up after everyday light spills using lower heat and 1¼ cups (295.7 mL) of water.
  - **High temp:** 4 hours: 3 hour cycle and 1 hour cooling.
  - **High temp:** 5 hours: 4 hour cycle and 1 hour cooling.
  - **High temp:** 6 hours: 5 hour cycle and 1 hour cooling.
4. Follow the prompts on the oven display to prepare the oven.
5. Select START to begin the cleaning process.

#### **OR**

Select DELAY to set a delayed Self-Cleaning cycle. See the "To Delay Start Self-Cleaning Cycle" Section.

The oven doors will automatically lock.

**NOTE:** It may take a couple moments for the oven door to automatically lock after starting the Self-Clean Cycle.

When the self cleaning cycle is complete and the oven cools, the oven doors will unlock.

6. When the oven is completely cooled, remove ash with a damp cloth.

#### **To Delay Start Self-Cleaning Cycle:**

Follow steps 1 through 4 of "To Start Self-Cleaning Cycle," then:

1. Select DELAY.
2. Select the start time of when the Self-Cleaning cycle should begin by scrolling from left to right.
3. Select START DELAY.  
The oven doors will automatically lock after the Delay Start countdown.  
When the Self-Cleaning cycle is complete and the oven cools, the oven doors will unlock.
4. When the oven is completely cooled, remove ash with a damp cloth.

#### **To Stop Self-Cleaning Anytime:**

Touch the Oven Cancel keypad for single oven models, or the Upper/Lower keypad for double oven models. If the oven temperature is too high, the door will remain locked. It will not unlock until the oven cools.

---

## Steam Clean

The Steam Clean feature is designed for light oven cavity bottom cleaning on models that have hidden bake in both ovens.

Allow the oven to cool to room temperature before using the Steam Clean feature. If your oven cavity is above 200°F (93°C), the Steam Clean feature will not activate until it cools down.

Remove all racks and accessories from the oven cavity.

For best results, use 1<sup>1</sup>/<sub>4</sub> cups (295.7 mL) of distilled or filtered water. Do not use oven cleaners.

The Steam Clean feature will take approximately 1 hour. A tone will sound at the end of the cycle.

**IMPORTANT:** Because the water in the oven bottom is hot, do not open the oven door during the Steam Clean cycle.

Touch the Oven Cancel keypad for single oven models and the Upper/Lower keypad for double oven models at any time to end the cycle. The display will return to the time of day.

### Helpful Hints

- Once the Steam Clean cycle is complete and the oven is completely cooled, remove all remaining water in the bottom of the oven with a sponge or cloth.
- Wipe any remaining moisture from the oven door interior, oven cavity interior sides, and cooktop.
- Use a soft brush or nylon scrubber to wipe the oven interior. This may help with more stubborn stains.
- It is recommended to use distilled or filtered water, as tap water may leave mineral deposits on the oven bottom. Use a cloth soaked with vinegar or lemon juice to remove any mineral deposits that may be left after the Steam Clean cycle.
- If the oven is heavily soiled, use the Self-Cleaning cycle. The Steam Clean cycle may be used first to eliminate most of the debris, resulting in a more effective self-cleaning.

### To Steam Clean:

1. Open the oven door of the selected oven and remove all racks and accessories from the oven cavity.
2. Pour 1<sup>1</sup>/<sub>4</sub> cups (295.7 mL) of distilled or filtered water into the oven bottom. Then close the oven door.
3. Touch the Tools keypad.  
On double-oven models: Select UPPER CAVITY or LOWER CAVITY.
4. Select STEAM CLEAN.
5. Select START.
6. After approximately 1 hour, a tone will sound to signal the end of the cycle. Touch the Oven Cancel keypad for single oven models and the Upper/Lower keypad for double oven models to clear the display.
7. When the oven is completely cooled, remove any excess water with a sponge or cloth and wipe down oven interior. If needed, use a non-scratch copper scrubbing pad to remove stubborn soils.

---

## General Cleaning

**IMPORTANT:** Before cleaning, make sure all controls are off and the oven is cool. Always follow label instructions on cleaning products. For additional information, you can visit the Frequently Asked Questions (FAQs) section of our website at [www.whirlpool.com](http://www.whirlpool.com). In Canada, refer to the Customer Service section at [www.whirlpool.ca](http://www.whirlpool.ca).

Soap, water, and a soft cloth or sponge are suggested first unless otherwise noted.

---

### EXTERIOR PORCELAIN ENAMEL SURFACES (on some models)

Food spills containing acids, such as vinegar and tomato, should be cleaned as soon as the entire oven is cool. These spills may affect the finish.

#### Cleaning Method:

- Glass cleaner, mild liquid cleaner or nonabrasive scrubbing pad:  
Gently clean around the model/serial/rating plate because scrubbing may remove numbers.
- affresh® Kitchen and Appliance Cleaner Part Number W10355010 (not included):  
See the “Accessories” section for more information.

---

### STAINLESS STEEL (on some models)

**NOTE:** To avoid damage to stainless steel surfaces, do not use soap-filled scouring pads, abrasive cleaners, steel-wool pads, gritty washcloths or abrasive paper towels. Damage may occur to stainless steel surfaces, even with one-time or limited use.

#### Cleaning Method:

Rub in direction of grain to avoid damaging.

- affresh® Stainless Steel Cleaner Part Number W10355016:  
See the “Accessories” section for more information.

---

### METALLIC PAINT (on some models)

Do not use abrasive cleaners, cleaners with bleach, rust removers, ammonia or sodium hydroxide (lye) because paint surface may stain.

---

### CONTROL PANEL AND OVEN DOOR EXTERIOR

To avoid damage, do not use abrasive cleaners, steel-wool pads, gritty washcloths or abrasive paper towels.

#### Cleaning Method:

- Glass cleaner and soft cloth or sponge:  
Apply glass cleaner to soft cloth or sponge, not directly on panel.
- affresh® Kitchen and Appliance Cleaner Part Number W10355010 (not included):  
See the “Accessories” section for more information.

---

## OVEN RACKS

### Cleaning Method:

- Steel-wool pad.
- For racks that have discolored and are harder to slide, a light coating of vegetable oil applied to the rack guides will help them slide.

---

## OVEN CAVITY AND OVEN DOOR INTERIOR

Do not use oven cleaners.

Food spills should be cleaned after the oven cools. At high temperatures, foods react with porcelain and staining, etching, pitting, or faint white spots can result.

### Cleaning Method:

- Self-Cleaning cycle:  
See the “Self-Cleaning Cycle” section first.
- For optimal door cleaning results, wipe away any deposits with a damp sponge before running cycle.

---

## Oven Lights

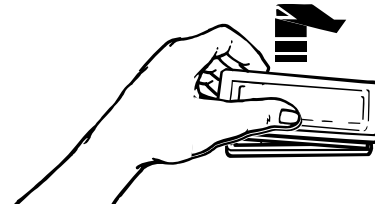
The oven lights are 120-volt, 40-watt maximum halogen bulbs. They will come on when the oven door is opened. On double oven models, the lights will only come on for the oven that has the door open. The oven lights will not work during the Self-Cleaning cycle.

When the door is closed, touch the appropriate Oven Light keypad to turn on the oven light.

### To Replace:

Before replacing the bulb, make sure the oven is off and cool.

1. Disconnect power.
2. Remove glass light cover by grasping the front edge and pulling away from oven.



3. Remove bulb from socket.
4. Replace bulb, using tissue or wearing cotton gloves to handle bulb. To avoid damage to or decreasing the life of the new bulb, do not touch bulb with bare fingers.
5. Replace bulb cover by snapping back into wall.
6. Reconnect power.

**IMPORTANT:** Do not use bulbs rated higher than 40 watts.



# TROUBLESHOOTING

First try the solutions suggested here. If you need further assistance or more recommendations that may help you avoid a service call, refer to the warranty page in this manual and scan the code there with your mobile device, or visit [http://www.whirlpool.com/product\\_help](http://www.whirlpool.com/product_help). In Canada, visit <http://www.whirlpool.ca>.

Contact us by mail with any questions or concerns at the address below:

In the U.S.A.:

Whirlpool Brand Home Appliances  
Customer eXperience Center  
553 Benson Road  
Benton Harbor, MI 49022-2692

In Canada:

Whirlpool Brand Home Appliances  
Customer eXperience Centre  
200 - 6750 Century Ave.  
Mississauga, Ontario L5N 0B7

Please include a daytime phone number in your correspondence.

Problem	Possible Causes and/or Solutions
<b>Nothing will operate</b>	<b>Oven isn't wired properly:</b> See the Installation Instructions. <b>Household fuse is blown, or a circuit breaker is tripped:</b> Replace the fuse or reset the circuit breaker. If the problem continues, call an electrician.
<b>Oven will not operate</b>	<b>Control Lock is on:</b> "Control Lock" will display on the screen. Scroll up to unlock. <b>Sabbath Mode is set:</b> See the "Sabbath Mode" section. <b>On double oven models, one oven is self-cleaning:</b> When one oven is self-cleaning, the other oven cannot be set or turned on.
<b>Oven temperature too high or too low</b>	<b>Oven temperature needs adjustment:</b> See the "Temperature Calibration" section.
<b>Display shows messages</b>	<b>Power failure:</b> On some models, reset the clock if needed. See "Preferences" in the "Tools" section. <b>Error code (display shows letter followed by number):</b> Press the oven Cancel keypad to clear the display. If it reappears, call for service. See the "Warranty" section for contact information. <b>Demo Mode (product is in Demo Mode):</b> See the "Tools" section to exit Demo Mode.
<b>Clean cycle did not work on all spills</b>	<b>Several cooking cycles between Clean cycles or spills on oven walls and doors:</b> Run additional Clean cycles. The affresh® Kitchen and Appliance Cleaner can be used for stubborn soils. See the "Accessories" and "Self-Cleaning Cycle" sections for more information.
<b>Warm air coming from oven vent</b>	Warm air coming from the oven vent is normal. During a self-clean cycle, the air stream is increased. The cooling fan may operate both during an oven's cycle and after the cycle has ended, causing warm air to exit from the oven vent.
<b>Convection fan runs during Bake function</b>	It is normal for the convection fan and element to operate during Bake mode to enhance performance and heat distribution.
<b>Long preheat times</b>	Not all cycles require preheating. See cycle instructions for preheat recommendations. Most cycles preheat to 350°F (177°C) in 12 to 17 minutes. Higher temperatures will take more time. Removing unused oven racks prior to preheating can help reduce preheat time.
<b>Self-Cleaning cycle will not operate</b>	<b>The oven door is open:</b> Close the oven door all the way. <b>The function has not been entered:</b> See the "Self-Cleaning Cycle" section. <b>A Timed Self-Clean cycle has been set:</b> See the "Self-Cleaning Cycle" section. <b>On double oven models, one oven is self-cleaning:</b> When one oven is self-cleaning, the other oven cannot be set to self-clean
<b>Oven cooking results not what expected</b>	<b>The set temperature was incorrect:</b> Double-check the recipe in a reliable cookbook. <b>Oven temperature needs adjustment:</b> See "Temperature Calibration" in the "More Modes" section. <b>Oven was not preheated:</b> See the "Baking and Roasting" section. <b>Racks were positioned improperly:</b> See the "Positioning Racks and Bakeware" section. <b>Not enough air circulation around bakeware:</b> See the "Positioning Racks and Bakeware" section. <b>Batter distributed unevenly in pan:</b> Check that batter is level in the pan. <b>Darker browning of food caused by dull or dark bakeware:</b> Lower the oven temperature 25°F (15°C) or move rack to a higher position in the oven. <b>Lighter browning of food caused by shiny or light colored bakeware:</b> Move rack to a lower position in the oven. <b>Incorrect length of cooking time was used:</b> Adjust cooking time. <b>Oven door was not closed:</b> Be sure that the bakeware does not keep the door from closing. <b>Oven door was opened during cooking:</b> Oven peeking releases oven heat and can result in longer cooking times. <b>Rack is too close to bake burner, making baked items too brown on bottom:</b> Move rack to higher position in the oven. <b>Pie crusts browning too quickly:</b> Use aluminum foil to cover the edge of the crust and/or reduce baking temperature.

---

# ASSISTANCE OR SERVICE

---

Before calling for assistance or service, please check the “Troubleshooting” section. It may save you the cost of a service call. If you still need help, follow the instructions below.

When calling, please know the purchase date and the complete model and serial number of your appliance. This information will help us to better respond to your request.

## If you need replacement parts

If you need to order replacement parts, we recommend that you use only FSP® replacement parts. FSP® replacement parts will fit right and work right because they are made with the same precision used to build every new WHIRLPOOL® appliance.

To locate FSP® replacement parts in your area, call us or your nearest Whirlpool designated service center.

---

## In the U.S.A.

If you have any problems or questions, call Whirlpool Corporation Connected Appliances at **1-866-333-4591**.

### Our consultants provide assistance with:

- Scheduling of service. Whirlpool appliances designated service technicians are trained to fulfill the product warranty and provide after-warranty service anywhere in the United States.
- Features and specifications on our full line of appliances.
- Referrals to local Whirlpool appliance dealers.
- Installation information.
- Use and maintenance procedures.
- Accessory and repair parts sales.
- Specialized customer assistance (Spanish speaking, hearing impaired, limited vision, etc.).

### For further assistance:

If you need further assistance, you can write to Whirlpool with any questions or concerns at:

Whirlpool Brand Home Appliances  
Customer eXperience Center  
553 Benson Road  
Benton Harbor, MI 49022-2692

Please include a daytime phone number in your correspondence.

---

## Accessories

### affresh® Stainless Steel Cleaning Wipes

(stainless steel models)  
Order Part Number W10355049

### affresh® Stainless Steel Cleaner

(stainless steel models)  
Order Part Number W10355016

### affresh® Kitchen and Appliance Cleaner

Order Part Number W10355010

### Brick Baking Stone

Order Part Number 4378577

### Double Built-In Side Trim Kit

Order Part Number W10536161

### Premium Broiler Pan and Roasting Rack

Order Part Number W10123240

### Porcelain Broiler Pan and Grid

Order Part Number 4396923

### Standard Flat Oven Rack

Order Part Number W10317430

### Single Built-In Side Trim Kit

Order Part Number W10536160

---

## In Canada

If you have any problems or questions, call Whirlpool Corporation Connected Appliances at **1-866-333-4591**

### Our consultants provide assistance with:

- Scheduling of service. Whirlpool appliances designated service technicians are trained to fulfill the product warranty and provide after-warranty service anywhere in Canada.
- Features and specifications on our full line of appliances.
- Referrals to local Whirlpool appliance dealers.
- Use and maintenance procedures.
- Accessory and repair parts sales.

### For further assistance:

If you need further assistance, you can write to Whirlpool with any questions or concerns at:

Customer eXperience Centre  
Whirlpool Canada LP  
200 - 6750 Century Ave.  
Mississauga, Ontario L5N 0B7

Please include a daytime phone number in your correspondence.

# WHIRLPOOL® MAJOR APPLIANCE LIMITED WARRANTY

ATTACH YOUR RECEIPT HERE. PROOF OF PURCHASE IS REQUIRED TO OBTAIN WARRANTY SERVICE.

Please have the following information available when you call the Customer eXperience Center:

- Name, address and telephone number
- Model number and serial number
- A clear, detailed description of the problem
- Proof of purchase including dealer or retailer name and address

## IF YOU NEED SERVICE:

1. Before contacting us to arrange service, please determine whether your product requires repair. Some questions can be addressed without service. Please take a few minutes to review the Troubleshooting or Problem Solver section of the Use and Care Guide, scan the QR code on the right to access additional resources, or visit [www.whirlpool.com/product\\_help](http://www.whirlpool.com/product_help).
2. All warranty service is provided exclusively by our authorized Whirlpool Service Providers. In the U.S. and Canada, direct all requests for warranty service to:



[www.whirlpool.com/product\\_help](http://www.whirlpool.com/product_help)

**Whirlpool Customer eXperience Center**

**In the U.S.A., call 1-800-253-1301. In Canada, call 1-800-807-6777.**

If outside the 50 United States or Canada, contact your authorized Whirlpool dealer to determine whether another warranty applies.

## ONE YEAR LIMITED WARRANTY

### WHAT IS COVERED

For one year from the date of purchase, when this major appliance is installed, operated and maintained according to instructions attached to or furnished with the product, Whirlpool Corporation or Whirlpool Canada LP (hereafter "Whirlpool") will pay for Factory Specified Replacement Parts and repair labor to correct defects in materials or workmanship that existed when this major appliance was purchased, or at its sole discretion replace the product. In the event of product replacement, your appliance will be warranted for the remaining term of the original unit's warranty period.

**YOUR SOLE AND EXCLUSIVE REMEDY UNDER THIS LIMITED WARRANTY SHALL BE PRODUCT REPAIR AS PROVIDED HEREIN.** Service must be provided by a Whirlpool designated service company. This limited warranty is valid only in the United States or Canada and applies only when the major appliance is used in the country in which it was purchased. This limited warranty is effective from the date of original consumer purchase. Proof of original purchase date is required to obtain service under this limited warranty.

### WHAT IS NOT COVERED

1. Commercial, non-residential, multiple-family use, or use inconsistent with published user, operator or installation instructions.
2. In-home instruction on how to use your product.
3. Service to correct improper product maintenance or installation, installation not in accordance with electrical or plumbing codes or correction of household electrical or plumbing (i.e. house wiring, fuses or water inlet hoses).
4. Consumable parts (i.e. light bulbs, batteries, air or water filters, preservation solutions, etc.).
5. Defects or damage caused by the use of non-genuine Whirlpool parts or accessories.
6. Conversion of products from natural gas or L.P. gas.
7. Damage from accident, misuse, abuse, fire, floods, acts of God or use with products not approved by Whirlpool.
8. Repairs to parts or systems to correct product damage or defects caused by unauthorized service, alteration or modification of the appliance.
9. Cosmetic damage including scratches, dents, chips, and other damage to the appliance finishes unless such damage results from defects in materials and workmanship and is reported to Whirlpool within 30 days.
10. Discoloration, rust or oxidation of surfaces resulting from caustic or corrosive environments including but not limited to high salt concentrations, high moisture or humidity or exposure to chemicals.
11. Food or medicine loss due to product failure.
12. Pick-up or delivery. This product is intended for in-home repair.
13. Travel or transportation expenses for service in remote locations where an authorized Whirlpool servicer is not available.
14. Removal or reinstallation of inaccessible appliances or built-in fixtures (i.e. trim, decorative panels, flooring, cabinetry, islands, countertops, drywall, etc.) that interfere with servicing, removal or replacement of the product.
15. Service or parts for appliances with original model/serial numbers removed, altered or not easily determined.

**The cost of repair or replacement under these excluded circumstances shall be borne by the customer.**

### DISCLAIMER OF IMPLIED WARRANTIES

IMPLIED WARRANTIES, INCLUDING ANY IMPLIED WARRANTY OF MERCHANTABILITY OR IMPLIED WARRANTY OF FITNESS FOR A PARTICULAR PURPOSE, ARE LIMITED TO ONE YEAR OR THE SHORTEST PERIOD ALLOWED BY LAW. Some states and provinces do not allow limitations on the duration of implied warranties of merchantability or fitness, so this limitation may not apply to you. This warranty gives you specific legal rights, and you also may have other rights that vary from state to state or province to province.

### DISCLAIMER OF REPRESENTATIONS OUTSIDE OF WARRANTY

Whirlpool makes no representations about the quality, durability, or need for service or repair of this major appliance other than the representations contained in this warranty. If you want a longer or more comprehensive warranty than the limited warranty that comes with this major appliance, you should ask Whirlpool or your retailer about buying an extended warranty.

### LIMITATION OF REMEDIES; EXCLUSION OF INCIDENTAL AND CONSEQUENTIAL DAMAGES

**YOUR SOLE AND EXCLUSIVE REMEDY UNDER THIS LIMITED WARRANTY SHALL BE PRODUCT REPAIR AS PROVIDED HEREIN. WHIRLPOOL SHALL NOT BE LIABLE FOR INCIDENTAL OR CONSEQUENTIAL DAMAGES.** Some states and provinces do not allow the exclusion or limitation of incidental or consequential damages, so these limitations and exclusions may not apply to you. This warranty gives you specific legal rights, and you also may have other rights that vary from state to state or province to province.



# FOUR ÉLECTRIQUE SIMPLE ET DOUBLE, ENCASTRÉ INSTRUCTIONS D'UTILISATION

Nous vous REMERCIONS d'avoir acheté ce produit de haute qualité. Enregistrez votre nouveau four sur [www.whirlpool.com](http://www.whirlpool.com).  
Au Canada, enregistrer votre four sur [www.whirlpool.ca](http://www.whirlpool.ca).

Pour référence ultérieure, consignez par écrit les numéros de modèle et de série de votre produit. Ceux-ci se trouvent sur le côté droit sous le tableau de commande.

Numéro de modèle \_\_\_\_\_ Numéro de série \_\_\_\_\_

## Table des matières

<b>SÉCURITÉ DU FOUR</b> .....	<b>21</b>
<b>UTILISATION DU FOUR</b> .....	<b>22</b>
Guide des caractéristiques .....	22
Panneau tactile .....	23
Affichage .....	23
Affichage du menu .....	23
Mode de paramétrage et de démonstration .....	23
Méthodes de cuisson .....	24
Favoris .....	26
Cuisson assistée .....	26
Outils .....	27
Plus de modes .....	29
Papier d'aluminium .....	30
Positionnement des grilles et des ustensiles de cuisson au four .....	30
Grille déployante coulissante .....	31
Évent(s) du four .....	31
Préchauffage et température du four .....	31
Cuisson au four et rôtissage .....	32
Cuisson au gril .....	32
Sonde thermométrique .....	32
Cuisson par convection .....	33
<b>ENTRETIEN DU FOUR</b> .....	<b>34</b>
Programme d'autonettoyage .....	34
Nettoyage à la vapeur .....	35
Nettoyage général .....	35
Lampes du four .....	36
<b>DÉPANNAGE</b> .....	<b>36</b>
<b>ASSISTANCE OU SERVICE</b> .....	<b>38</b>
Aux É.-U. ....	38
Accessoires .....	38
Au Canada .....	38
<b>GARANTIE</b> .....	<b>39</b>

# SÉCURITÉ DU FOUR

## Votre sécurité et celle des autres est très importante.

Nous donnons de nombreux messages de sécurité importants dans ce manuel et sur votre appareil ménager. Assurez-vous de toujours lire tous les messages de sécurité et de vous y conformer.



Voici le symbole d'alerte de sécurité.

Ce symbole d'alerte de sécurité vous signale les dangers potentiels de décès et de blessures graves à vous et à d'autres.

Tous les messages de sécurité suivront le symbole d'alerte de sécurité et le mot "DANGER" ou "AVERTISSEMENT". Ces mots signifient :

**! DANGER**

**Risque possible de décès ou de blessure grave si vous ne suivez pas immédiatement les instructions.**

**! AVERTISSEMENT**

**Risque possible de décès ou de blessure grave si vous ne suivez pas les instructions.**

Tous les messages de sécurité vous diront quel est le danger potentiel et vous disent comment réduire le risque de blessure et ce qui peut se produire en cas de non-respect des instructions.

## IMPORTANTES INSTRUCTIONS DE SÉCURITÉ

**AVERTISSEMENT** : Afin de réduire le risque d'incendie, de choc électrique ou de blessures corporelles lors de l'utilisation du four, il convient d'observer certaines précautions fondamentales, notamment :

- Installation correcte – S'assurer que le four est bien installé et que la mise à la terre est réalisée par un technicien qualifié.
- Ne jamais utiliser le four pour chauffer ou réchauffer la pièce.
- Ne pas laisser les enfants seuls – Les enfants ne doivent pas être laissés seuls ou sans surveillance dans la zone où le four est utilisé. Ils ne doivent jamais être autorisés à s'asseoir ou à se tenir debout sur une partie quelconque du four.
- Porter des vêtements adaptés – Les vêtements pendants ou non ajustés ne doivent jamais être portés lorsqu'on utilise le four.
- Entretien par l'utilisateur – Ne pas réparer ou remplacer une quelconque pièce du four sans recommandation spécifique du manuel. Toutes les autres tâches d'entretien doivent être effectuées par un technicien qualifié.
- Entreposage dans le four – Les matières inflammables ne doivent pas être entreposées dans le four.
- Ne pas utiliser d'eau sur les feux de friture – Éteindre le feu ou la flamme ou utiliser un extincteur avec agent chimique sec ou mousseux.
- Utiliser uniquement des mitaines sèches – Les mitaines humides ou trempées sur les surfaces chaudes peuvent provoquer des brûlures dues à la vapeur. Ne pas laisser les mitaines toucher des éléments chauffants et chauds. Ne pas utiliser un chiffon ou tout autre tissu encombrant.
- Ouvrir la porte lentement – Laisser la chaleur ou la vapeur s'échapper avant de retirer ou de remettre en place un plat.
- Ne pas faire chauffer un contenant qui n'a pas été ouvert – L'accumulation de pression pourrait faire éclater le contenant et causer des blessures.

- Garder dégagés les conduits de ventilation du four.
- Position des grilles du four – toujours placer les grilles à la position souhaitée lorsque le four est froid. Si une grille doit être déplacée pendant que le four est chaud, ne pas laisser la poignée entrer en contact avec l'élément chaud du four.
- NE PAS TOUCHER LES ÉLÉMENTS CHAUFFANTS OU LES SURFACES INTÉRIEURES DU FOUR – Les éléments chauffants peuvent être chauds même s'ils sont de couleur foncée. Les surfaces intérieures du four peuvent être suffisamment chaudes pour provoquer des brûlures. Pendant et après l'utilisation, ne pas toucher ou laisser des vêtements ou d'autres matériaux inflammables en contact avec les éléments chauffants ou les surfaces intérieures tant qu'ils n'ont pas suffisamment refroidi. Les autres surfaces du four peuvent devenir suffisamment chaudes pour causer des brûlures – les ouvertures de ventilation et les surfaces autour de ces ouvertures, les portes du four et les hublots de portes font partie de ces surfaces.

### Pour les fours autonettoyants :

- Ne pas nettoyer le joint – Le joint est essentiel pour une bonne étanchéité. Faire attention à ne pas frotter, endommager ou déplacer le joint.
- Ne pas utiliser de nettoyeurs à four – Aucun nettoyeur commercial ou revêtement de protection pour four d'aucune sorte ne devrait être utilisé dans le four ou près de ses parties.
- Ne nettoyer que les pièces indiquées dans le manuel.
- Avant de mettre en marche l'autonettoyage – Enlever la lèchefrite et les autres ustensiles.

## CONSERVER CES INSTRUCTIONS

Avertissements de la Proposition 65 de l'État de la Californie :

**AVERTISSEMENT** : Ce produit contient au moins un produit chimique connu par l'État de Californie pour être à l'origine de cancers.

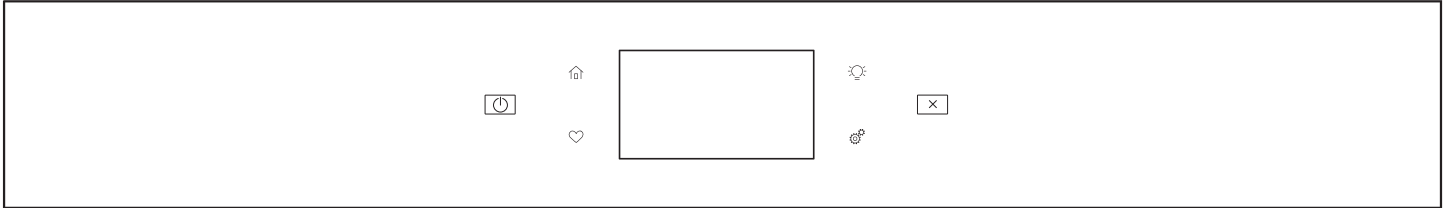
**AVERTISSEMENT** : Ce produit contient au moins un produit chimique connu par l'État de Californie pour être à l'origine de malformations et autres déficiences de naissance.

# UTILISATION DU FOUR

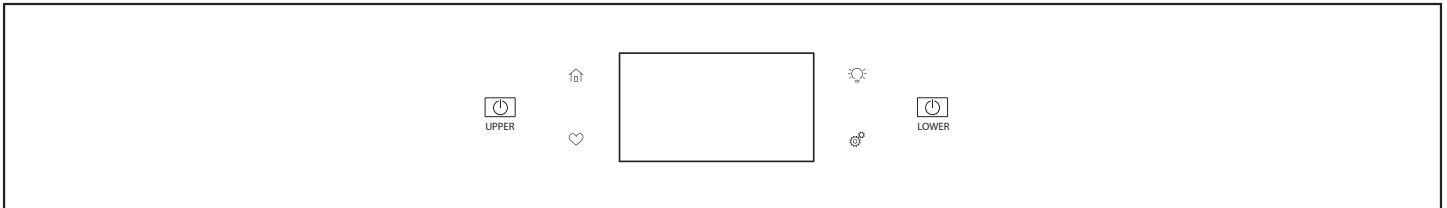
## Guide des caractéristiques






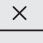

Ce manuel concerne plusieurs modèles. Le modèle que vous avez peut comporter toutes les caractéristiques énumérées ou seulement certaines d'entre elles. Se reporter à ce manuel ou à la section Foire Aux Questions (FAQ) de notre site Web sur [www.whirlpool.com](http://www.whirlpool.com) pour des instructions plus détaillées. Au Canada, consulter la section service à la clientèle à [www.whirlpool.ca](http://www.whirlpool.ca).

### Four simple



### Four double



Clavier	Fonction	Instructions
<b>Outils</b> 	<b>Fonction d'utilisation du four</b>	Permet de personnaliser les signaux sonores et le fonctionnement du four selon les préférences de l'utilisateur. Voir les sections "Outils" et "Plus de modes".
<b>Accueil</b> 	<b>Écran Home (Accueil)</b>	En appuyant une fois, l'utilisateur peut accéder à l'écran des méthodes de cuisson et de la cuisson assistée. L'heure est affichée en appuyant deux fois.
<b>Favoris</b> 	<b>Favoris</b>	Le clavier des favoris permet à l'utilisateur de sauvegarder les programmes qu'il utilise le plus souvent.
<b>Lampe du four</b> 	<b>Lampe de la cavité du four</b>	La lampe du four est commandée par une touche située sur le tableau de commande du four. Alors que la porte du four est fermée, appuyer sur la touche Oven Light (lampe du four) pour allumer ou éteindre la lampe. La lampe du four s'allume automatiquement à l'ouverture de la porte.
<b>Alimentation (fours simples seulement)</b> 	<b>Fonction d'alimentation</b>	La touche d'alimentation met en marche les fonctions du four et le réveille lorsqu'il est en mode de veille.
<b>Annulation de la fonction d'alimentation (fours simples seulement)</b> 	<b>Annulation de la fonction d'alimentation</b>	La touche Annulation du four désactive toutes les fonctions du four à l'exception de l'horloge, de la minuterie et du verrouillage des commandes du four sélectionné.
<b>Supérieur/Inférieur (fours doubles seulement)</b> 	<b>Alimentation/Annulation de la fonction d'alimentation du four</b>	Les touches Upper et Lower (supérieur/inférieur) mettent sous tension le four sélectionné et le réveillent lorsqu'il est en mode de veille. Si le four sélectionné est déjà allumé (ON), la touche UPPER ou LOWER (supérieur/inférieur) désactive toutes les fonctions du four à l'exception de l'horloge, de la minuterie et du verrouillage des commandes du four sélectionné.



---

## Panneau tactile

Le panneau tactile regroupe le menu de commande et les commandes des différentes fonctions. Le panneau tactile est très sensible, il suffit d'un léger toucher pour l'activer. Naviguer vers le haut, le bas, la gauche ou la droite pour explorer les différentes options et fonctions.

Pour plus d'information sur chaque commande, voir leurs sections respectives dans ce manuel.

---

## Affichage

L'affichage est pour le menu et les commandes de fonctionnement du four. L'écran tactile permet de faire défiler les menus du four. L'affichage est très sensible; il suffit d'un léger toucher pour l'activer et sélectionner les commandes.

Lorsque le four est utilisé, l'affichage indique l'horloge, le mode, la température du four, la minuterie de cuisine, et la minuterie du four si réglée. Si la minuterie du four n'est pas réglée, on peut la régler à partir de cet écran.

Après environ 2 minutes d'inactivité, l'affichage passe au mode de veille et l'affichage s'assombrit. Lorsque le four fonctionne, l'affichage reste lumineux.

Au cours de l'utilisation, l'affichage indique les menus et les sélections appropriées pour les options choisies.

---

## Affichage du menu

Si le four est éteint Off, appuyer sur la touche alimentation du four ou supérieur/inférieur du four désiré pour activer le menu. À partir de cet écran, tous les programmes de cuisson automatique peuvent être activés; tous les programmes de cuisson manuels peuvent être réglés; les options peuvent être ajustées et les instructions, les directives de préparation et les conseils sont accessibles.

---

## Mode de paramétrage et de démonstration

1. Sélectionner STORE DEMO MODE (mode de démonstration en magasin) pour activer ce mode.

**OU**

1. Sélectionner NEXT (suivant) pour utiliser le produit.
2. Suivre les instructions à l'écran pour sélectionner une langue, configurer Wi-Fi/connexion au réseau, accepter les modalités et régler l'heure.

**REMARQUE :** L'écran affiche l'heure et la date (écran par défaut/mode Veille).

3. Sélectionner TRY THE PRODUCT (essayer le produit) pour découvrir diverses caractéristiques et options du produit.

**FACULTATIF :** Sélectionner VIEW PRODUCT VIDEOS (afficher les vidéos du produit) pour afficher une vidéo sur la façon de naviguer et d'interagir avec le produit, d'explorer Voice Control (commande vocale) et de balayer une recette Scan-To-Cook.

4. Faire défiler l'écran et sélectionner EXPLORE (explorer).
5. Sélectionner la touche outils.

Pour quitter le mode Demo (démonstration), voir la section "Outils".

## Méthodes de cuisson

### **AVERTISSEMENT**

#### Risque d'empoisonnement alimentaire

**Ne pas laisser des aliments dans un four plus d'une heure avant ou après la cuisson.**

**Le non-respect de cette instruction peut causer un empoisonnement alimentaire ou une maladie.**

Méthode de cuisson	Fonction	Instructions
<b>BAKE</b> (cuisson au four)	<b>Cuisson au four et rôtissage</b>	<ol style="list-style-type: none"><li>1. Appuyer sur la touche Oven Power (alimentation du four) ou Upper/Lower (supérieur/inférieur) pour le four désiré.</li><li>2. Sélectionner COOKING METHODS (méthodes de cuisson).</li><li>3. Sélectionner BAKE (cuisson).</li><li>4. Sélectionner la température de Cuisson souhaitée en naviguant vers la gauche et la droite ou manuellement à l'aide de la grille située dans le coin supérieur droit pour saisir la température de cuisson à l'aide du clavier.</li><li>5. Appuyer sur START (démarrer) pour commencer le préchauffage. Une tonalité se fait entendre une fois le préchauffage terminé. (Optionnelle) Consulter la section "Préchauffage rapide" pour obtenir plus d'information sur le préchauffage rapide du four.</li><li>6. Appuyer sur la touche Oven Cancel (annulation de la fonction d'alimentation du four) ou Upper/Lower (supérieur/inférieur) pour le four désiré lorsque le tout est terminé.</li></ol>
<b>BROIL</b> (cuisson au gril)	<b>Cuisson au gril</b>	<ol style="list-style-type: none"><li>1. Appuyer sur la touche Oven Power (alimentation du four) ou Upper/Lower (supérieur/inférieur) pour le four désiré.</li><li>2. Sélectionner COOKING METHODS (méthodes de cuisson).</li><li>3. Sélectionner BROIL (cuisson au gril).</li><li>4. Sélectionner la température de gril souhaitée en naviguant vers la gauche et la droite ou manuellement à l'aide de la grille située dans le coin supérieur droit pour saisir la température de cuisson à l'aide du clavier.</li><li>5. Sélectionner START (démarrer).</li><li>6. Appuyer sur la touche Oven Cancel (annulation de la fonction d'alimentation du four) ou Upper/Lower (supérieur/inférieur) pour le four désiré lorsque le tout est terminé.</li></ol>
<b>CONVECT</b> (cuisson par convection)	<b>Cuisson au four par convection</b>	<ol style="list-style-type: none"><li>1. Appuyer sur la touche Oven Power (alimentation du four) ou Upper/Lower (supérieur/inférieur) pour le four désiré.</li><li>2. Sélectionner COOKING METHODS (méthodes de cuisson).</li><li>3. Sélectionner CONVECT BAKE (cuisson au four par convection).</li><li>4. Sélectionner la température de CONVECT BAKE (Cuisson Par Convection) souhaitée en naviguant vers la gauche et la droite ou manuellement à l'aide de la grille située dans le coin supérieur droit pour saisir la température de cuisson à l'aide du clavier.</li><li>5. Appuyer sur START (démarrer) pour commencer le préchauffage. Une tonalité se fait entendre une fois le préchauffage terminé. (Optionnelle) Consulter la section "Préchauffage rapide" pour préchauffer rapidement du four pendant la cuisson par convection.</li><li>6. Appuyer sur la touche Oven Cancel (annulation de la fonction d'alimentation du four) ou Upper/Lower (supérieur/inférieur) pour le four désiré lorsque le tout est terminé.</li></ol> <p>Pour de plus amples renseignements, consulter la section "Cuisson au four à convection".</p>



Méthode de cuisson	Fonction	Instructions
<b>CONVECT</b> (cuisson par convection)	<b>Cuisson au grill par convection</b>	<ol style="list-style-type: none"> <li>Appuyer sur la touche Oven Power (alimentation du four) ou Upper/Lower (supérieur/inférieur) pour le four désiré.</li> <li>Sélectionner COOKING METHODS (méthodes de cuisson).</li> <li>Sélectionner CONVECT BROIL (cuisson au grill par convection).</li> <li>Sélectionner la température de Convection Broil (Gril Par Convection) souhaitée en naviguant vers la gauche et la droite ou manuellement à l'aide de la grille située dans le coin supérieur droit pour saisir la température de cuisson à l'aide du clavier.</li> <li>Sélectionner START (démarrer).</li> <li>Appuyer sur la touche Oven Cancel (annulation de la fonction d'alimentation du four) ou Upper/Lower (supérieur/inférieur) pour le four désiré lorsque le tout est terminé.</li> </ol> <p>Pour de plus amples renseignements, consulter la section "Cuisson au four à convection".</p>
<b>CONVECT</b> (cuisson par convection)	<b>Rôtissage par convection</b>	<ol style="list-style-type: none"> <li>Appuyer sur la touche Oven Power (alimentation du four) ou Upper/Lower (supérieur/inférieur) pour le four désiré.</li> <li>Sélectionner COOKING METHODS (méthodes de cuisson).</li> <li>Sélectionner CONVECT ROAST (rôtissage par convection).</li> <li>Sélectionner la température de Convection Roast (Rôtissage Par Convection) souhaitée en naviguant vers la gauche et la droite ou manuellement à l'aide de la grille située dans le coin supérieur droit pour saisir la température de cuisson à l'aide du clavier.</li> <li>Appuyer sur START (démarrer) pour commencer le préchauffage. Une tonalité se fait entendre une fois le préchauffage terminé.</li> <li>Appuyer sur la touche Oven Cancel (annulation de la fonction d'alimentation du four) ou Upper/Lower (supérieur/inférieur) pour le four désiré lorsque le tout est terminé.</li> </ol> <p>Pour de plus amples renseignements, consulter la section "Cuisson au four à convection".</p>
<b>KEEP WARM</b> (maintien au chaud)	<b>Maintien au chaud</b>	<p>Les aliments doivent être à la température de service avant d'être placés dans le four chaud.</p> <ol style="list-style-type: none"> <li>Appuyer sur la touche Oven Power (alimentation du four) ou Upper/Lower (supérieur/inférieur) pour le four désiré.</li> <li>Sélectionner COOKING METHODS (méthodes de cuisson).</li> <li>Sélectionner KEEP WARM (maintien au chaud).</li> <li>Sélectionner la température souhaitée en naviguant vers la gauche et la droite ou manuellement à l'aide de la grille située dans le coin supérieur droit pour saisir la température de cuisson à l'aide du clavier.</li> <li>Sélectionner START (démarrer).</li> <li>Appuyer sur la touche Oven Cancel (annulation de la fonction d'alimentation du four) ou Upper/Lower (supérieur/inférieur) pour le four désiré lorsque le tout est terminé.</li> </ol>
<b>RAPID</b> (rapide)	<b>Préchauffage rapide du four</b>	<p>Offre la durée de préchauffage le plus rapide pour la fonction Bake (cuisson au four). Le préchauffage rapide est réglé à Off.</p> <ol style="list-style-type: none"> <li>Sélectionner RAPID (rapide) pour mettre en marche et arrêter le préchauffage du four.</li> <li>Le réglage en cours s'affiche.</li> </ol> <p><b>IMPORTANT :</b> Cette caractéristique doit être utilisée pour la cuisson au four sur une seule grille uniquement. Les grilles inutilisées doivent être retirées avant le préchauffage rapide. On doit utiliser une grille standard pour la fonction de préchauffage rapide. Si le préchauffage pour le programme BAKE (cuisson au four) a déjà commencé, le préchauffage rapide peut être lancé en sélectionnant Rapid (rapide).</p>
<b>DELAY START</b> (Mise en marche différée)	<b>Mise en marche différée :</b>	<p>La touche de mise en marche différée sert à entrer l'heure de fin d'une durée de cuisson pour un four équipé de mise en marche différée. Une fois la méthode de cuisson sélectionnée, saisir la température de cuisson. Sélectionner DELAY START (mise en marche différée) et suivre les commandes à l'écran.</p> <p><b>REMARQUE :</b> La mise en marche différée ne doit pas être utilisée pour les aliments tels que pains et gâteaux, car ils risquent de ne pas bien cuire.</p>
<b>COOK TIME</b> (Durée de cuisson)	<b>Cuisson minutée</b>	<p>La fonction de durée de cuisson permet d'allumer le four à une certaine heure de la journée, d'effectuer une cuisson pendant une durée déterminée ou d'éteindre le four automatiquement.</p>

## Favoris

La fonction des favoris sauvegarde le mode et la température du four pour vos recettes préférées.

Au fur et à mesure que l'outil Favoris est utilisé, cet appareil affina et adaptera les suggestions concernant les envies/besoins alimentaires de l'utilisateur.

**REMARQUE :** Un ensemble de favoris et de suggestions peut être automatiquement affiché à l'écran d'accueil selon l'heure du repas.

Pour sauvegarder une recette, sélectionner la touche Favorites (favoris) (icône du coeur) et suivre les étapes à l'écran pour personnaliser les favoris.

Ajouter une image ou un nom au favori pour le personnaliser.

## Cuisson assistée

La cuisson assistée aide à choisir le bon mode pour les besoins quotidiens de cuisson.

Certains modes permettent de sauter l'étape de préchauffage. Suivre les instructions à l'écran pour obtenir des conseils tout au long de la procédure de cuisson.

**REMARQUE :** Les températures de cuisson traditionnelles seront converties en températures de cuisson par convection. La cuisson au four par convection nécessite des entrées de durée et de température. Elle nécessite également un préchauffage.

Les durées traditionnelles de rôtissage seront converties en durées de rôtissage par convection. Le rôtissage par convection nécessite des entrées de durée et de température, mais le préchauffage n'est pas nécessaire.

Certains modes convertiront les durées de cuisson standard pour la cuisson par convection. Entrer la durée et la température et l'écran convertira les données en conséquence.

Modes de cuisson assistée	Sélections alimentaires	Conseils d'utilisation pour des résultats optimaux
<b>FROZEN (produits surgelés)</b>	<ul style="list-style-type: none"> <li>■ Pizza surgelée</li> <li>■ Tarte surgelée</li> <li>■ Frites congelées</li> <li>■ Lasagne surgelée</li> <li>■ Croquettes surgelées</li> <li>■ Repas surgelés</li> </ul>	<p>Les aliments congelés ne nécessitent pas de préchauffage. Insérer immédiatement les aliments, entrer la durée et la température maximum recommandées par le fabricant.</p> <p>Pour obtenir plus de renseignements, voir la section "Frozen Bake™" (cuisson au four de plats congelés).</p>
<b>POULTRY (volaille)</b>	<ul style="list-style-type: none"> <li>■ Morceaux de poulet</li> <li>■ Poulet entier</li> </ul>	<p>Les volailles ne nécessitent pas de préchauffage. Insérer les aliments immédiatement.</p>
<b>SEAFOOD (fruits de mer)</b>	<ul style="list-style-type: none"> <li>■ Filet de poisson</li> <li>■ Bâtonnets de poisson</li> </ul>	<p>Le filet de poisson et les bâtonnets de poisson nécessitent un préchauffage. Insérer les aliments lorsque le préchauffage est terminé.</p>
<b>BAKED GOODS (produits de boulangerie)</b>	<ul style="list-style-type: none"> <li>■ Biscuits</li> <li>■ Croissants</li> </ul>	<p>Les produits de boulangerie nécessitent un préchauffage. Insérer les aliments lorsque le préchauffage est terminé.</p>
<b>DESSERTS (desserts)</b>	<ul style="list-style-type: none"> <li>■ Gâteau</li> <li>■ Tarte fraîche</li> <li>■ Biscuits</li> <li>■ Tarte surgelée</li> </ul>	<p>Les gâteaux, les biscuits et les tartes fraîches nécessitent un préchauffage. Insérer les aliments lorsque le préchauffage est terminé.</p> <p>Les tartes surgelées ne nécessitent pas de préchauffage. Insérer immédiatement les aliments, entrer la durée et la température maximum recommandées par le fabricant.</p>
<b>PIZZA (pizza)</b>	<ul style="list-style-type: none"> <li>■ Pizza fraîche</li> <li>■ Pizza surgelée</li> </ul>	<p>La pizza fraîche nécessite un préchauffage.</p> <p>Les pizzas surgelées ne nécessitent pas de préchauffage. Insérer immédiatement les aliments, entrer la durée et la température maximum recommandées par le fabricant. Pour obtenir plus de renseignements, voir la section "Frozen Bake™".</p>
<b>MEATS (viandes)</b>	<ul style="list-style-type: none"> <li>■ Pain de viande</li> <li>■ Rôti de porc</li> <li>■ Rôti de bœuf</li> <li>■ Rôti d'agneau</li> </ul>	<p>Le pain de viande nécessite un préchauffage. Insérer les aliments lorsque le préchauffage est terminé.</p> <p>Les rôtis d'agneau, de bœuf et de porc ne nécessitent pas de préchauffage. Insérer les aliments immédiatement.</p>
<b>VEGGIES (légumes)</b>	<ul style="list-style-type: none"> <li>■ Pomme de terre au four</li> <li>■ Légumes frais grillés</li> </ul>	<p>Les légumes frais grillés et la pomme de terre au four ne nécessitent pas de préchauffage. Insérer les aliments immédiatement.</p>
<b>CASSEROLES (mets en sauce)</b>	<ul style="list-style-type: none"> <li>■ Mets en sauce</li> <li>■ Lasagne surgelée</li> </ul>	<p>Les mets en sauce nécessitent un préchauffage. Insérer les aliments lorsque le préchauffage est terminé.</p> <p>La lasagne surgelée ne nécessite pas de préchauffage. Insérer les aliments immédiatement. Entrer la durée et la température maximum recommandées par le fabricant. Pour obtenir plus de renseignements, voir la section "Frozen Bake™".</p>
<b>SNACKS (collations)</b>	N.D.	<p>Les collations nécessitent un préchauffage. Insérer les aliments lorsque le préchauffage est terminé.</p>

## Outils

La touche Tools (outils) permet d'accéder aux fonctions et aux options de personnalisation du four. Ces outils permettent de régler l'horloge, d'alterner entre unités Fahrenheit et Celsius pour la température du four, d'activer ou de désactiver les signaux sonores et les messages, de régler le calibrage du four, de choisir la langue et plus.

Sélectionner le clavier des outils pour afficher les outils.

- Remote Enable (Activation à distance)
- Kitchen Timer (Minuterie de cuisine)
- Light (Éclairage)
- Self-Clean (Autonettoyage)
- Mute (Silence)
- Control Lock (Verrouillage des commandes)
- Probe (Sonde)

Voir la section "Autres modes" pour plus de renseignements.

Outil	Notes
<b>Remote Enable (Activation à distance)</b>	Sélectionner REMOTE ENABLE (activation à distance) pour pouvoir utiliser l'appli Whirlpool®. <b>REMARQUE :</b> Remote Enable (activation à distance) s'éteint (OFF) lorsque la porte est ouverte. La fonction doit être réactivée à chaque utilisation.
<b>Kitchen Timer (Minuterie de cuisine)</b>	Régler la minuterie de cuisine en saisissant le temps désiré à l'aide du clavier. <ol style="list-style-type: none"><li>1. Sélectionner la Kitchen Timer (minuterie de cuisine).</li><li>2. Entrer manuellement le temps désiré.</li><li>3. Sélectionner START (démarrer).</li><li>4. Sélectionner la touche Cancel (annulation) pour mettre fin à la minuterie de cuisine.</li></ol>
<b>Light (Éclairage)</b>	Sélectionner LIGHT (éclairage) pour allumer ou éteindre la lampe. La lampe du four s'allume automatiquement à l'ouverture de la porte.
<b>Self-Clean (Autonettoyage)</b>	Voir la section "Autonettoyage".
<b>Mute (Silence)</b>	Sélectionner MUTE (silence) pour enlever ou remettre les sons du four.
<b>Control Lock (Verrouillage des commandes)</b>	Le verrouillage des commandes désactive les touches du tableau de commande pour éviter l'utilisation involontaire du ou des fours. Si le verrouillage des commandes a été réglé avant une panne de courant, la fonction reste activée après cette panne de courant. Lorsque la commande est verrouillée, seules les touches Oven Power (alimentation du four), Tools (outils) et Oven light (lampe du four) fonctionnent. Le verrouillage des commandes est pré-réglé désactivé, mais peut être activé. <b>Pour verrouiller/déverrouiller les commandes :</b> <ol style="list-style-type: none"><li>1. Vérifier que le four est éteint.</li><li>2. Sélectionner le clavier Control Lock (verrouillage des commandes).</li><li>3. Control Lock s'affiche.</li><li>4. Naviguer vers le haut pour déverrouiller. Aucune touche ne fonctionnera.</li></ol>
<b>Probe (Sonde)</b>	<ol style="list-style-type: none"><li>5. Pour mode de cuisson avec sonde.</li></ol>

---

## Préférences

### Heures et dates

Régler les préférences pour l'heure et la date.

**REMARQUE :** Si l'utilisateur est connecté au Wi-Fi, la date et l'heure seront programmées automatiquement.

### Your Meal Times (Vos heures de repas)

Régler quand petit déjeuner/déjeuner/dîner s'affiche

- Time (Heure)
- Date
- Time Format (Format de l'heure, AM/PM ou 24 heures [format militaire])

### Sound Volume (Volume sonore)

Régler les préférences pour le volume sonore.

- Timers and Alerts (Minuteries et alertes)
- Buttons and Effects (Boutons et effets)

### Display Settings (Réglages de l'écran)

Effectuer les configurations de l'affichage.

- Display Brightness (Luminosité de l'affichage) : Régler la luminosité de l'affichage
- Emphasize Info When I Am Far (Insister sur les infos quand je suis loin) : Mettre en marche/arrêter

### Regional (Régional)

Régler les préférences régionales.

- **Language (Langue :** Anglais, espagnol ou français)
- **Temperature Units (Unités de température :** Fahrenheit et Celsius)

---

## Wi-Fi

- **Connexion au réseau :** Télécharger l'appli Whirlpool® de la boutique d'appli sur votre téléphone mobile. Voir la fiche "Configuration de la connectivité" pour des instructions plus détaillées.
- **Code SAID :** Le code SAID s'utilise pour synchroniser un dispositif intelligent avec votre appareil.
- **Adresse MAC :** L'adresse MAC est affichée pour le module Wi-Fi.
- **Radio Wi-Fi :** Met en marche et arrête le Wi-Fi.

---

## Info

- **Service et assistance :** Affiche le numéro de modèle, les informations pour contacter le service à la clientèle et le diagnostic.
- **Conserver le mode démo :** Sélectionner le mode Store Demo (démonstrateur en magasin) pour mettre en marche et arrêter ce mode.

### Démarrer le mode Demo (démonstration) :

1. Sélectionner la touche Tools (icône d'engrenage)
2. Faire défiler l'écran et sélectionner INFO
3. Sélectionner STORE DEMO MODE (mode de démonstration en magasin) et sélectionner ON (marche).

**REMARQUE :** L'écran affiche l'heure.

4. Sélectionner la touche TOOLS (outils)
5. Sélectionner TRY THE PRODUCT (essayer le produit) ou VIEW PRODUCT VIDEOS (afficher les vidéos du produit)

Si l'appareil est en mode Demo (démonstration) après la mise sous tension, suivre ces étapes pour quitter le mode de démonstration.

### Quitter le mode de démonstration :

1. Sélectionner TRY THE PRODUCT (essayer le produit).
2. Faire défiler l'écran et sélectionner EXPLORE (explorer).
3. Sélectionner la touche TOOLS (icône d'engrenage).
4. Faire défiler l'écran et sélectionner INFO.
5. Sélectionner STORE DEMO MODE (mode de démonstration en magasin) et sélectionner OFF (arrêt).
6. Sélectionner YES (oui) à l'écran de confirmation.

■ **Restaurer réglages d'usine :** Cela restaurera votre produit aux réglages d'usine par défaut.

■ **Modalités du Wi-Fi :** [www.whirlpool.com/connect](http://www.whirlpool.com/connect).

■ **Modalités et conditions du logiciel.**

## Plus de modes

### Calibrage de température

**IMPORTANT :** Ne pas utiliser de thermomètre pour mesurer la température du four. Les éléments chauffants s'allument et s'éteignent en alternance pour maintenir une température constante, mais leur température peut varier légèrement dans un sens ou dans l'autre du fait de cette alternance. L'ouverture de la porte du four affecte la mise en marche alternée des éléments et influence la température.

Le four fournit des températures précises et a été testé avec soin à l'usine. Toutefois, il peut cuire plus rapidement ou plus lentement que votre four précédent, et ainsi entraîner des différences de cuisson ou de brunissage. Si nécessaire, le calibrage de la température peut se régler en degrés Fahrenheit ou Celsius.

Sur les modèles de fours doubles, le four supérieur et le four inférieur peuvent chacun être calibrés indépendamment.

Un signe moins signifie que le four sera plus froid du nombre de degrés affiché. L'absence de signe moins signifie que le four sera plus chaud du nombre de degrés affiché. La température du four peut être réglée jusqu'à +/-30 °F (+/-18 °C). Il est recommandé de modifier la température par tranche de 5 °F (3 °C) jusqu'à l'obtention du résultat souhaité.

**REMARQUE :** Cet affichage se poursuit pour indiquer la température du réglage d'origine, il n'indiquera pas le décalage de calibration. Par exemple, si la température a été réglée à 350 °F (177 °C) et calibrée à -20, la température affichée sera toujours 350 °F (177 °C).

### Ajustement du calibrage de la température du four :

1. Appuyer sur la touche Tools (outils).
2. Sélectionner MORE MODES (Autres modes).
3. Sélectionner TEMPERATURE CALIBRATION (calibrage de la température).
4. Naviguer de gauche à droite pour augmenter ou réduire la température.

**REMARQUE :** Chaque calibrage de four peut être indépendamment réglé.

### Mode Sabbat

Pour obtenir de l'aide concernant l'utilisation de ce produit, ainsi qu'une liste des modèles munis du mode Sabbat, consulter le [www.star-k.org](http://www.star-k.org).

Le mode Sabbat permet au four de continuer à fonctionner sur un réglage de cuisson au four jusqu'à ce qu'on l'éteigne.

Lorsque le mode Sabbat est activé, seul le programme de cuisson au four fonctionne. Tous les autres programmes de cuisson et de nettoyage sont désactivés. Aucun signal sonore ne retentit et les affichages n'indiquent pas les changements de température. Lorsque la porte du four est ouverte ou fermée, la lampe du four ne s'allume ou ne s'éteint pas et les éléments de chauffage ne s'allument ou ne s'éteignent pas immédiatement.

Pour les modèles de fours doubles, les températures et les minuteries de cuisson du four supérieur et du four inférieur peuvent être réglées indépendamment.

Si une minuterie de cuisson est réglée, le compte à rebours apparaît. La minuterie débute le compte à rebours dès que cette fonction est programmée.

**REMARQUE :** Si une panne de courant se produit lorsque le mode Sabbat est en fonction, le four indiquera que ce mode est en fonction, mais le programme de cuisson ne fonctionnera pas. La lumière du four ne s'allumera pas si la porte est ouverte pendant cette période.

### Régler et activer le mode Sabbat :

1. Appuyer sur la touche Tools (outils).
2. Sélectionner MORE MODES (Autres modes).
3. Sélectionner SABBATH (sabbat).
4. Appuyer de nouveau sur le mode SABBATH (Sabbat) pour activer le mode Sabbat (ce mode est à la base désactivé)
5. Sélectionner YES (oui) pour faire fonctionner les deux fours ou un seul four pendant le Sabbat.
6. Si un seul four doit être utilisé, effectuer la sélection en conséquence. Lorsque la cavité est sélectionnée, l'utilisateur sera invité à saisir la température et la durée de cuisson.

Si le mode Sabbat doit être utilisé pour les deux fours, sélectionner chaque cavité séparément. Lorsque la cavité est sélectionnée, l'utilisateur sera invité à saisir la température et la durée de cuisson pour chaque cavité de façon indépendante.

(Optionnelle) Pour la cuisson minutée pendant le mode Sabbat, appuyer sur ADD A COOK TIME (ajouter un temps de cuisson) du four sélectionné, puis saisir le temps de cuisson désiré et appuyer sur NEXT (suivant).

7. Sélectionner START (démarrer).

### Pour désactiver le mode Sabbat et sortir de ce menu :

1. Appuyer sur la touche Oven Power/Cancel (alimentation du four/annuler).
2. Maintenir enfoncée la flèche "vers le haut" pendant 3 secondes.

### Pour ajuster la température sur les modèles à four simple ou double :

1. Appuyer sur +/- 25 à l'écran pour sélectionner la nouvelle température.

**REMARQUE :** Le changement de température n'apparaît pas sur l'affichage et aucun son n'est émis.

## Papier d'aluminium

**IMPORTANT :** Pour éviter des dommages permanents au fini du fond du four, ne pas recouvrir le fond avec du papier d'aluminium ou un revêtement quelconque.

Pour obtenir les meilleurs résultats de cuisson, ne pas couvrir entièrement la grille d'aluminium, car l'air doit pouvoir circuler librement.

Pour récupérer les renversements, placer du papier d'aluminium sur la grille sous le plat. S'assurer que l'aluminium est au moins 1/2" (13 mm) plus grand que le plat et que les bords sont relevés.

## Positionnement des grilles et des ustensiles de cuisson au four

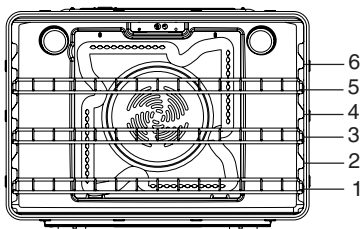
**IMPORTANT :** Afin d'éviter des dommages permanents au fini en porcelaine, ne pas placer d'aliments ou d'ustensiles de cuisson au four directement sur la porte ou sur le fond du four.

### Grilles

- Placer les grilles avant d'allumer le four.
- Ne pas installer les grilles lorsque des ustensiles de cuisson au four se trouvent dessus.
- S'assurer que les grilles sont horizontales.
- Placer les aliments de façon à ce qu'ils ne touchent pas le brûleur de cuisson au gril en augmentant de volume. Laisser au moins 1/2 po (13 mm) entre les plateaux et le brûleur de cuisson au gril.

Pour déplacer une grille, la tirer jusqu'à la butée, soulever l'avant puis la retirer. Se servir des illustrations et des tableaux suivants comme guide pour le positionnement des grilles.

### Positions de la grille : Four supérieur et inférieur



### Cuisson au gril

Aliment	Position de grille
Pour la plupart des cuissons au gril	6

Pour qu'une galette à hamburger soit bien saisie à l'extérieur tout en restant bien tendre à l'intérieur, utiliser une grille plate en position 6. On doit cuire le 1<sup>er</sup> côté pendant environ 3 minutes. La cuisson du 2<sup>e</sup> côté devrait prendre entre 3 et 4 minutes. Une légère fumée peut se dégager durant la cuisson au gril.

### Cuisson traditionnelle

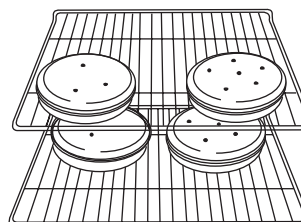
Aliment	Position de grille
Gros rôtis, dindes, gâteaux des anges et gâteaux Bundt, pains éclairs, tartes	1 ou 2
Pains à la levure, mets en sauce, viande et volaille	2
Biscuits, muffins et gâteaux	2 ou 3 pour une cuisson au four sur une seule grille; 2 et 5 pour une cuisson au four sur plusieurs grilles

### Cuisson par convection

Réglage du four	Nombre de grilles utilisées	Position(s) de la grille
Cuisson au four avec préchauffage rapide	1	3
Cuisson au four par convection avec préchauffage rapide	1	3
Cuisson au four par convection	1	1, 2, ou 3
Cuisson au four par convection	2	2 et 5
Cuisson au four par convection	3	1, 3, et 5
Rôtissage par convection	1	1 ou 2
Cuisson au gril par convection	1	4, 5, ou 6

### Cuisson au four des gâteaux à étages, sur 2 grilles

Pour des résultats optimaux lors de la cuisson au four en mode normal de gâteaux sur 2 grilles, utiliser les positions de grille 2 et 5. Placer les gâteaux sur les grilles comme indiqué. Prévoir un espace d'au moins 2 po (5,0 cm) entre le bord avant des grilles et le bord avant des gâteaux.



### Cuisson au four de biscuits sur deux grilles

Pour des résultats optimaux lors de la cuisson au four de biscuits sur deux grilles, utiliser les positions 2 et 5, ainsi que le mode convection.

### Ustensiles de cuisson

L'air chaud doit pouvoir circuler autour de l'aliment pour le cuire uniformément. Laisser 2 po (5,0 cm) entre les ustensiles de cuisson et les parois du four. Utiliser le tableau suivant comme guide.

Nombre d'ustensiles	Position sur la grille
1	Centre de la grille.
2	Côte à côte ou légèrement décalés.
3 ou 4	Consulter l'illustration précédente.

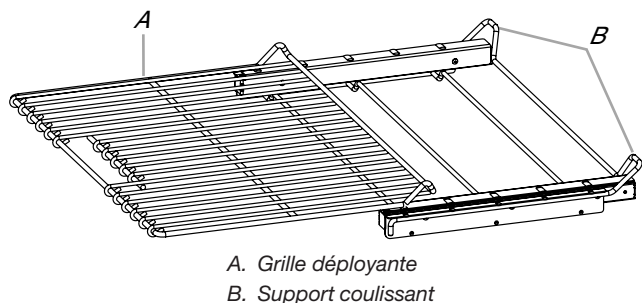
**REMARQUE :** Le matériel des ustensiles de cuisson et la couleur peuvent affecter les résultats. Les plateaux foncés, non-adhésifs, au fini terre ou en verre peuvent nécessiter des temps de cuisson plus courts contrairement aux lèchefrites isolées ou en acier inoxydable qui nécessitent un temps de cuisson plus long. Suivre les recommandations du fabricant des ustensiles de cuisson.



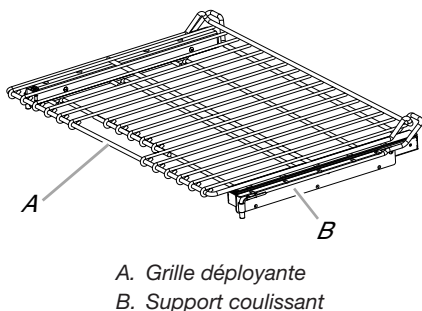
## Grille déployante coulissante

La grille déployante offre un accès facile à l'utilisateur pour le positionnement et le retrait des aliments. Elle peut être utilisées sur les positions de grille 1 à 6.

### Position déployée

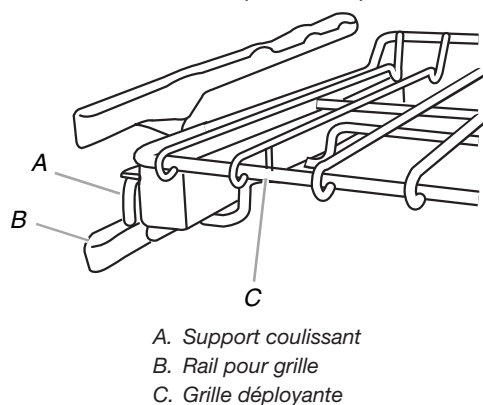


### Position rétractée et emboîtée



### Retrait de la grille déployante :

1. Enfoncer la grille complètement en la faisant glisser jusqu'à ce qu'elle soit rétractée et emboîtée sur le support coulissant.
2. À deux mains, soulever l'avant de la grille et pousser le support coulissant vers la paroi arrière du four jusqu'à ce qu'il repose sur les rails pour grille. L'avant de la grille et du support coulissant doivent se trouver plus haut que l'arrière.



3. Retirer la grille et le support coulissant.

### Réinstallation de la grille déployante :

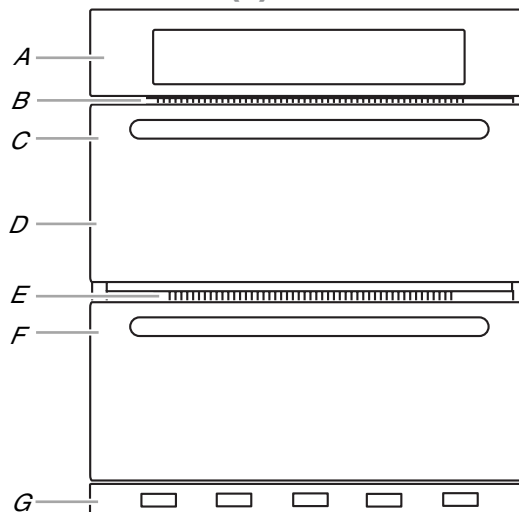
1. À deux mains, saisir l'avant de la grille rétractée et du support coulissant. Placer la grille rétractée et le support coulissant sur le rail pour grille.
2. À deux mains, soulever l'avant de la grille et du support coulissant en même temps.
3. Pousser lentement la grille et le support coulissant vers l'arrière du four jusqu'à ce que l'arrière de la grille chevauche l'extrémité du rail pour grille.

Afin d'éviter d'endommager les supports coulissants, ne pas placer plus de 25 lb (11,4 kg) sur la grille.

Ne pas nettoyer la grille coulissante déployante au lave-vaisselle. Ceci pourrait enlever le lubrifiant de la grille et nuire à ses facultés de glissement.

Voir la section "Nettoyage général" pour plus de renseignements.

## Évent(s) du four



### Four simple et double

- A. Tableau de commande  
B. Évent du four  
C. Four simple ou four double supérieur

### Four double

- D. Four supérieur  
E. Évent du four  
F. Four inférieur  
G. Évent inférieur

Le ou les évent(s) du four ne doivent être ni obstrués, ni couverts, car ils permettent l'introduction d'air frais dans le système de refroidissement. En outre, l'évent inférieur ne doit être ni obstrué ni couvert, car il permet l'introduction d'air frais dans le système de refroidissement et l'évacuation de l'air chaud du système de refroidissement. Le fait d'obstruer ou de couvrir les évents nuit à la circulation adéquate de l'air et affecte les résultats de cuisson, de nettoyage et de refroidissement.

## Préchauffage et température du four

### Préchauffage

Au début d'un programme de Bake (cuisson au four), de Convection Bake (cuisson au four avec convection) ou de Convection Roast (rôtissage avec convection), le four commence par un préchauffage une fois la touche Start (mise en marche) enfoncée. Le four atteint 350 °F (177 °C) en 12 à 17 minutes environ lorsque toutes les grilles fournies avec le four sont à l'intérieur de la cavité du four. Pour atteindre une température plus élevée, le préchauffage est plus long. Le programme de préchauffage augmente rapidement la température du four. La température réelle du four dépasse alors la température programmée, pour compenser la chaleur perdue à l'ouverture du four pour y introduire le plat à cuire. Ainsi, le four entame la cuisson à la température correcte après y avoir placé le plat. Placer les aliments au four lorsque le signal sonore de préchauffage retentit. Ne pas ouvrir la porte du four pendant le préchauffage tant que le signal sonore n'a pas retenti.

### Préchauffage rapide

La fonction Rapid Preheat (préchauffage rapide) peut servir à réduire la durée de préchauffage. Durant le préchauffage rapide, seule une grille doit se trouver dans le four. Les autres grilles doivent être retirées avant de démarrer le préchauffage rapide. Le programme de préchauffage doit être terminé avant de placer de la nourriture dans le four. Une fois le programme de préchauffage rapide terminé, le four commence un programme normal de cuisson au four.

**IMPORTANT :** La fonction de préchauffage rapide doit être utilisée uniquement pour la cuisson au four sur une seule grille.

## Température du four

En cours d'utilisation, les éléments chauffants du four s'allument et s'éteignent en alternance pour maintenir une température constante, mais leur température peut varier légèrement dans un sens ou dans l'autre du fait de cette alternance. L'ouverture de la porte du four en cours d'utilisation laisse échapper l'air chaud et refroidit le four, ce qui peut modifier la durée nécessaire et le résultat de la cuisson. Pour suivre l'avancement de la cuisson, il est conseillé d'utiliser l'éclairage du four.

**REMARQUE :** Sur les modèles équipés d'une fonction de convection, le ventilateur de convection peut tourner dans le mode de cuisson sans convection pour améliorer la performance du four.

Avant la cuisson au four et le rôtissage, placer les grilles comme indiqué à la section "Positionnement des grilles et des ustensiles de cuisson au four". Lors du rôtissage, il n'est pas nécessaire d'attendre la fin du préchauffage du four avant d'y placer la nourriture, sauf si la recette le recommande.

## Cuisson au four et rôtissage

**IMPORTANT :** Le ventilateur de convection et l'élément de convection peuvent se mettre en marche durant la fonction de cuisson au four pour améliorer la performance et la distribution de chaleur.

Le four atteint 350 °F (177 °C) en 12 à 17 minutes environ lorsque toutes les grilles du four sont à l'intérieur de la cavité. Le programme de préchauffage augmente rapidement la température à l'intérieur de la cavité du four. Pour atteindre une température plus élevée, le préchauffage est plus long. Les facteurs qui peuvent influencer la durée de préchauffage incluent la température ambiante, la température du four et le nombre de grilles installées. Pour réduire la durée de préchauffage, on peut retirer les grilles inutilisées avant de préchauffer le four. La température réelle du four dépasse alors la température programmée, pour compenser la chaleur perdue à l'ouverture du four pour y introduire le plat à cuire. Ainsi, le four entame la cuisson à la température correcte après y avoir placé le plat. Placer les aliments au four lorsque le signal sonore de préchauffage retentit. Ne pas ouvrir la porte du four pendant le préchauffage tant que le signal sonore n'a pas retenti.

Durant la cuisson au four ou le rôtissage, les éléments de cuisson au four et de cuisson au gril s'allument et s'éteignent par intermittence afin de maintenir la température du four.

Selon le modèle, si la porte du four est ouverte pendant la cuisson au four ou le rôtissage, les éléments chauffants (cuisson au four et au gril) s'éteignent environ 30 secondes après l'ouverture de la porte. Ils se remettent de nouveau en marche environ 30 secondes après la fermeture de la porte.

### Frozen Bake™ (cuire congelé)

La technologie Frozen Bake™ règle automatiquement le temps de cuisson du fabricant en combinant le préchauffage et la cuisson pour offrir sans attente de bons résultats avec les plats congelés. Il y a plusieurs options d'aliments préprogrammées. Lors de l'utilisation de la technologie Frozen Bake™, il est important de respecter toutes les instructions du fabricant, incluant la ventilation et le fait de recouvrir les aliments, de les mélanger ou de les poser sur une plaque à pâtisserie pour obtenir de bons résultats. Lors de la préparation de plats congelés, ne cuire que des aliments munis d'instructions pour un four conventionnel. Placer le plat au centre de la grille et sélectionner l'une des positions de grille recommandées pour les plats congelés dans la section "Positionnement des grilles et ustensiles de cuisson au four". Ne faire cuire qu'un plat ou une plaque à la fois. Utiliser la température et le temps de cuisson maximum indiqué sur l'emballage.

Une tonalité vous indiquera de vérifier le degré de cuisson avant la fin du temps de cuisson et à la fin du temps de cuisson. L'affichage vous demandera d'ajouter du temps de cuisson (au besoin).

## Cuisson au gril

Lors de la cuisson au gril, aucun préchauffage n'est requis à moins d'indication à cet effet dans la recette. Placer l'aliment sur la grille de la lèchefrite, puis placer celle-ci au centre de la grille du four. Fermer la porte du four pour une température de cuisson au gril adéquate.

**REMARQUE :** Des odeurs et de la fumée sont normales lorsque le four est utilisé les premières fois ou lorsqu'il est très sale.

Le changement de température lors de la cuisson au gril permet un contrôle plus précis de la cuisson. Plus le réglage du gril est bas, plus la cuisson est lente. Les morceaux épais et de forme irrégulière de viande, de poisson et de volaille cuisent mieux à des réglages de gril plus bas. Placer les aliments dans le four supérieur ou inférieur. Consulter la section "Positionnement des grilles et ustensiles de cuisson" pour plus d'informations.

À des réglages inférieurs, l'élément de cuisson au gril s'allume et s'éteint par intermittence afin de maintenir une température adéquate.

■ Pour de meilleurs résultats, utiliser une lèchefrite et une grille. La grille est conçue pour laisser s'écouler les jus et aider à éviter les éclaboussures et la fumée.

Il est possible de commander une lèchefrite. Consulter la section "Accessoires" pour plus d'informations.

## Sonde thermométrique

La sonde thermométrique mesure précisément la température interne de la viande, de la volaille et des mets en sauce liquides et doit être utilisée pour déterminer le degré de cuisson de la viande et de la volaille. La sonde thermométrique doit être utilisée uniquement avec les fonctions Bake (cuisson au four), Convect Bake (cuisson au four par convection) ou Convect Roast (rôtissage par convection).

Toujours débrancher et retirer la sonde thermométrique du four lorsqu'on retire les aliments.

### Utilisation :

Avant de l'utiliser, insérer la sonde à l'intérieur de l'aliment. Pour les viandes, l'extrémité de la sonde doit se trouver au centre de la partie la plus épaisse de la viande et non dans le gras ou au contact d'un os. Placer les aliments dans le four et connecter la sonde thermométrique à la prise. Maintenir la sonde aussi loin que possible de la source de chaleur. Fermer la porte du four.

**REMARQUE :** On doit insérer la sonde thermométrique dans l'aliment avant de sélectionner le mode souhaité.

- Utiliser la fonction de cuisson assistée pour obtenir des conseils et des instructions étape par étape sur l'insertion de la sonde et la sélection des températures internes des aliments cibles.
- Brancher la sonde dans le port du four ou choisir l'icône Sonde dans le menu de l'outil. Un menu contextuel s'affichera ensuite qui permet à l'utilisateur de choisir le mode de cuisson et toutes les options. Placer les aliments dans le four et connecter la sonde thermométrique à la prise. Maintenir la sonde aussi loin que possible de la source de chaleur. Fermer la porte du four.



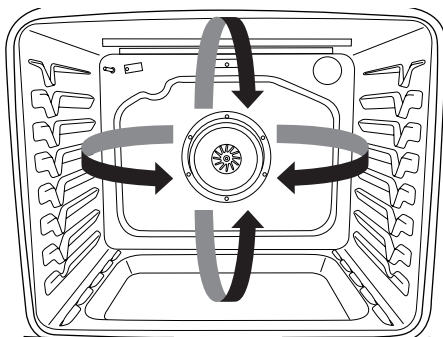
## Cuisson par convection

Dans un four à convection, l'air chaud que fait circuler le ventilateur répartit plus uniformément la chaleur que le mouvement naturel de l'air dans un four thermique standard. Ce déplacement de l'air chaud aide à maintenir une température constante dans tout le four, ce qui permet de cuire les aliments plus uniformément, de faire croustiller la surface des aliments tout en conservant leur humidité naturelle et de donner des pains plus croustillants.

Durant la cuisson par convection, les éléments de cuisson au four, cuisson au gril et cuisson par convection (vraie convection seulement) s'allument et s'éteignent par intermittence pour maintenir la température du four tandis que le ventilateur fait circuler l'air chaud.

Si la porte du four est ouverte durant la cuisson par convection, le ventilateur s'éteint immédiatement. Il s'allume à nouveau lorsque la porte du four est fermée.

**REMARQUE :** La porte du four doit être fermée pour la cuisson au gril par convection.



Avant de lancer une cuisson par convection, positionner les grilles tel qu'indiqué à la section "Positionnement des grilles et des ustensiles de cuisson au four".

La cuisson à convection permet de cuire la majorité des aliments à une température plus basse ou moins longtemps. Ces réglages peuvent être effectués à l'aide du tableau suivant :

RÉGLAGE	Directives générales
<b>Cuisson Au Four Par Convection</b>	Réduit la température de cuisson standard à 25 °F (15 °C).
<b>Rôtissage Par Convection</b>	Utiliser une température de recette standard. La durée de cuisson peut être réduite de 15 % à 30 % en utilisation le rôtissage par convection; par conséquent, les aliments doivent être vérifiés plus tôt pour s'assurer qu'ils sont prêts.
<b>Cuisson Au Gril Par Convection</b>	Utiliser une température de recette standard. La durée de cuisson peut être réduite; il faut donc contrôler le degré de cuisson des aliments tôt au cours de la cuisson.

### Conversion temps/température

Les températures et durées de cuisson par convection sont différentes de celles d'une cuisson standard. La fonction de conversion temps/température permet de convertir la durée et la température de cuisson ou de rôtissage pour obtenir la durée et la température idéale pour la cuisson par convection. La durée et la température affichées sont converties pour une cuisson par convection.

# ENTRETIEN DU FOUR

## Programme d'autonettoyage

### **⚠ AVERTISSEMENT**



#### Risque de brûlures

**Ne pas toucher le four au cours du programme d'autonettoyage.**

**Garder les enfants loin du four au cours du programme d'autonettoyage.**

**Le non-respect de ces instructions peut causer des brûlures.**

**IMPORTANT :** La santé de certains oiseaux est très sensible aux émanations qui surviennent durant le programme d'autonettoyage. L'exposition aux émanations peut entraîner la mort de certains oiseaux. Toujours déplacer les oiseaux dans une autre pièce fermée et bien aérée.

Procéder à l'autonettoyage du four avant qu'il ne devienne très sale. Les saletés intenses nécessitent un nettoyage plus long et dégagent plus de fumée.

Veiller à ce que la cuisine soit bien aérée pendant le programme d'autonettoyage afin d'aider à éliminer la chaleur, les odeurs et la fumée.

Ne pas obstruer le ou les événements du four durant le programme d'autonettoyage. L'air doit pouvoir circuler librement. Voir la section "Événements du four".

Ne pas nettoyer, frotter, endommager ou déplacer le joint d'étanchéité de la porte du four. Le joint de la porte est essentiel pour une bonne étanchéité.

#### Préparation du four :

- Sortir du four la lèchefrite, la grille et les ustensiles de cuisson au four et, sur certains modèles, la sonde thermométrique.
- Sortir les grilles du four pour les garder brillantes et pour qu'elles glissent facilement. Voir la section "Nettoyage général" pour plus de renseignements.
- Enlever tout papier d'aluminium du four; celui-ci risquerait de brûler ou de fondre et d'endommager le four.
- Nettoyer manuellement l'intérieur de la porte et une zone de 1 1/2" (3,8 cm) sur le pourtour du cadre de la cavité du four, en prenant soin de ne pas déplacer ni plier le joint d'étanchéité. Cette section ne devient pas assez chaude au cours du programme d'autonettoyage pour pouvoir éliminer la saleté. Ne pas laisser d'eau, de nettoyant, etc. pénétrer dans les fentes du cadre de la porte. Nettoyer avec un chiffon humide.
- Essuyer toute saleté décollée afin de réduire la fumée et d'éviter les dommages. À des températures élevées, les aliments réagissent avec la porcelaine. Cette réaction peut causer des taches, des attaques, des piqûres ou de légères taches blanches. Ceci est normal et n'affecte pas la performance de cuisson.

#### Comment fonctionne le programme

**IMPORTANT :** Le chauffage et le refroidissement de la porcelaine sur l'acier dans le four peuvent causer une décoloration, une perte de lustre, des fissures minuscules et des craquements.

Le programme d'autonettoyage utilise des températures très élevées, brûlant les saletés pour les réduire en cendre.

Les durées de nettoyage suggérées sont de 3 h pour les saletés légères, 4 h pour les saletés moyennes, et 5 h pour les saletés moyennes à intenses.

Lorsque le four a complètement refroidi, retirer la cendre avec un chiffon humide. Afin d'éviter de briser le verre, ne pas appliquer de chiffon humide et froid sur la partie interne du hublot de la porte avant qu'il n'ait complètement refroidi.

Les lampes du four ne fonctionnent pas durant le programme d'autonettoyage.

**REMARQUE :** Le four possède un moteur de ventilateur de refroidissement à 2 vitesses. Pendant le programme d'autonettoyage, les ventilateurs fonctionneront à la vitesse la plus élevée pour augmenter le flux d'air et faciliter l'évacuation de l'air chaud par les événements du four. Une augmentation du bruit peut être constatée pendant et après le programme d'autonettoyage jusqu'au refroidissement du four.

Avant l'autonettoyage, s'assurer que la porte est complètement fermée sinon elle ne se verrouillera pas et le programme ne commencera pas. Lorsque le four est verrouillé, les portes du four ne peuvent pas être ouvertes. Pour éviter tout dommage aux portes, ne pas les forcer lorsque le four est verrouillé.

1. Appuyer sur la touche Tools (outils).
2. Sélectionner l'icône d'autonettoyage.  
(Sur les modèles à four double) Sélectionner UPPER CAVITY (la cavité supérieure) ou LOWER CAVITY (la cavité inférieure).
3. Sélectionner le type d'autonettoyage :
  - **Vapeur :** 1 heure : Nettoyer après de légers déversements quotidiens à l'aide de la chaleur inférieure et d'1 1/4 tasse d'eau (295,7 mL).
  - **Température élevée :** 4 heures : Cycle de 3 heures + 1 heure de refroidissement
  - **Température élevée :** 5 heures : Cycle de 4 heures + 1 heure de refroidissement
  - **Température élevée :** 6 heures : Cycle de 5 heures + 1 heure de refroidissement
4. Suivre les invites à l'écran du four afin de préparer le four.
5. Sélectionner START (démarrer) pour débiter le processus de nettoyage.

#### OU

Sélectionner Delay (mise en marche différée) pour programmer un cycle d'autonettoyage en différé. Voir la section "Mise en marche différée du programme d'autonettoyage".

La porte du four se verrouille automatiquement.

**REMARQUE :** Il est possible qu'il faille quelques minutes pour que la porte du four se verrouille automatiquement après le démarrage du cycle d'autonettoyage.

Lorsque le cycle d'autonettoyage est terminé et que le four est froid, les portes du four se déverrouillent.

6. Lorsque le four a complètement refroidi, retirer la cendre avec un chiffon humide.

#### Mise en marche différée du programme d'autonettoyage :

Suivre les étapes 1 à 4 de la section "Démarrage du programme d'autonettoyage", puis :

1. Sélectionner DELAY (mise en marche différée).
2. Sélectionner l'heure à laquelle le cycle d'autonettoyage devrait débiter en faisant défiler de la gauche vers la droite.
3. Sélectionner START DELAY (mise en marche différée).  
Les portes des deux fours se verrouillent automatiquement après le compte à rebours de la mise en marche différée.  
Lorsque le programme d'autonettoyage est terminé et que le four est froid, la porte du four se déverrouille.
4. Lorsque le four a complètement refroidi, retirer la cendre avec un chiffon humide.

## Pour arrêter le programme d'autonettoyage à tout moment :

Toucher Oven Cancel (annulation de la fonction d'alimentation du four) ou Upper/Lower (supérieur/inférieur) sur les modèles à four double. Si la température du four est trop élevée, la porte reste verrouillée. Elle ne se déverrouille pas tant que le four n'a pas refroidi.

## Nettoyage à la vapeur

La fonction de nettoyage à la vapeur est conçue pour un nettoyage léger de la cavité inférieure sur les modèles équipés d'un élément de cuisson dissimulé dans les deux fours.

Laisser la cuisinière refroidir et atteindre la température ambiante avant d'utiliser le programme de nettoyage à la vapeur. Si la température de la cavité du four est supérieure à 200 °F (93 °C), la fonction de nettoyage à la vapeur ne sera pas activée tant que la température n'aura pas baissé.

Retirer toutes les grilles et tous les accessoires de la cavité du four.

Pour de meilleurs résultats, utiliser 1<sup>1</sup>/<sub>4</sub> tasses (295,7 mL) d'eau distillée ou filtrée. Ne pas utiliser de nettoyeurs à four.

La fonction de nettoyage à la vapeur est d'une durée d'environ une (1) heure. Un signal sonore sera émis à la fin du programme.

**IMPORTANT :** Puisque l'eau dans le fond du four est chaude, ne pas ouvrir la porte du four pendant le cycle de nettoyage à la vapeur.

Toucher Oven Cancel (annulation de la fonction d'alimentation du four) ou Upper/Lower (supérieur/inférieur) sur les modèles à four double pour mettre fin au cycle en tout temps. L'affichage de l'heure est rétabli.

### Conseils utiles

- Dès que le cycle de nettoyage à la vapeur est terminé et que le four a refroidi, retirer toute l'eau restant dans le fond du four avec une éponge ou un linge.
- Essuyer toute humidité présente dans l'intérieur du four, les parois latérales internes de la cavité du four et la table de cuisson.
- Utiliser une brosse à poils doux ou un ustensile de récurage en nylon pour essuyer l'intérieur du four. Ceci pourra être utile pour les taches les plus tenaces.
- Il est recommandé d'utiliser une eau distillée ou filtrée car l'eau du robinet peut laisser des dépôts minéraux sur le fond du four. Utiliser un linge imbibé de vinaigre ou de jus de citron pour retirer tout dépôt de minéraux qui peut être présent après le cycle de nettoyage à la vapeur.
- Si le four est très sale, utiliser le cycle d'autonettoyage. Le cycle de nettoyage à la vapeur peut tout d'abord être utilisé pour éliminer la majeure partie des débris, ce qui permet un autonettoyage plus efficace.

### Nettoyage à la vapeur :

1. Ouvrir la porte du four sélectionné et retirer toutes les grilles et les accessoires de la cavité du four.
2. Verser 1<sup>1</sup>/<sub>4</sub> tasses (295,7 mL) d'eau distillée ou filtrée dans le fond du four. Fermer ensuite la porte du four.
3. Appuyer sur la touche Tools (outils) :  
(Sur les modèles à four double) Sélectionner UPPER CAVITY (la cavité supérieure) ou LOWER CAVITY (la cavité inférieure).
4. Sélectionner STEAM CLEAN (nettoyage à la vapeur).
5. Sélectionner START (démarrer).
6. Après environ une (1) heure, une tonalité se fait entendre pour signaler la fin du cycle. Toucher Oven Cancel (annulation de la fonction d'alimentation du four) ou Upper/Lower (supérieur/inférieur) sur les modèles à four double pour réinitialiser l'affichage.

7. Dès que le four est froid, retirer tout excès d'eau à l'aide d'une éponge ou d'un linge, puis essuyer l'intérieur du four. Au besoin, utiliser un tampon à récurer en cuivre non abrasif pour retirer les souillures tenaces.

## Nettoyage général

**IMPORTANT :** Avant le nettoyage, s'assurer que toutes les commandes sont désactivées et que le four est froid. Toujours suivre les instructions figurant sur les étiquettes des produits de nettoyage. Pour plus de renseignements, vous pouvez consulter la section Foire Aux Questions (FAQ) de notre site Web sur [www.whirlpool.com](http://www.whirlpool.com). Au Canada, consulter la section du service à la clientèle sur [www.whirlpool.ca](http://www.whirlpool.ca).

L'usage de savon, d'eau et d'un chiffon doux ou d'une éponge est suggéré en priorité, sauf indication contraire.

### SURFACES EN ÉMAIL VITRIFIÉ UNIQUEMENT (sur certains modèles)

Les éclaboussures alimentaires acides, telles que vinaigre et tomate, doivent être nettoyées dès que le four a refroidi. Ces salissures peuvent endommager le fini.

#### Méthode de nettoyage :

- Nettoyeur à vitre, nettoyeur doux liquide ou tampon à récurer non abrasif :  
Nettoyer délicatement autour de la plaque signalétique, car le frottement pourrait en effacer les chiffres.
- Nettoyeur affresh® pour cuisine et appareils ménagers — numéro de pièce W10355010 (non fourni) :  
Voir la section "Accessoires" pour plus de renseignements.

### ACIER INOXYDABLE (sur certains modèles)

**REMARQUE :** Afin d'éviter d'endommager les surfaces en acier inoxydable, ne pas utiliser de tampons à récurer savonneux, de nettoyeurs abrasifs, de tampons en laine d'acier, de chiffons de lavage rêches ou d'essuie-tout abrasifs. Ils peuvent endommager les surfaces en acier inoxydable, même après une seule application ou quelques-unes.

#### Méthode de nettoyage :

Frotter dans la direction du grain pour éviter les dommages.

- Nettoyeur pour acier inoxydable affresh® - pièce numéro W10355016 : Voir la section "Accessoires" pour plus de renseignements.

### PEINTURE MÉTALLIQUE (sur certains modèles)

Ne pas utiliser de nettoyeurs abrasifs, de nettoyeurs avec agent de blanchiment, de produits antirouille, d'ammoniaque ou d'hydroxyde de sodium (soude), car la surface peinte pourrait se tacher.

### TABLEAU DE COMMANDE ET EXTÉRIEUR DE LA PORTE DU FOUR

Afin d'éviter d'endommager le tableau de commande, ne pas utiliser de nettoyeurs abrasifs, de tampons en laine d'acier, de chiffons de lavage rêches ou d'essuie-tout abrasifs.

#### Méthode de nettoyage :

- Nettoyeur à vitre et chiffon doux ou éponge :  
Appliquer le nettoyeur à vitre sur un chiffon doux ou une éponge et non directement sur le tableau.
- Nettoyeur affresh® pour cuisine et appareils ménagers — numéro de pièce W10355010 (non fourni) :  
Voir la section "Accessoires" pour plus de renseignements.

## GRILLES DU FOUR

### Méthode de nettoyage :

- Tampon en laine d'acier.
- Pour les grilles ternies qui glissent difficilement, enduire légèrement les glissières d'huile végétale; cela facilitera leur glissement.

## CAVITÉ DU FOUR ET INTÉRIEUR DE LA PORTE DU FOUR

Ne pas utiliser de nettoyeurs à four.

Les éclaboussures alimentaires doivent être nettoyées lorsque le four a refroidi. À haute température, les aliments réagissent avec l'émail et peuvent provoquer la formation de taches, une attaque acide, des piqûres ou des décolorations blanchâtres.

### Méthode de nettoyage :

- Programme d'autonettoyage : Voir d'abord la section "Programme d'autonettoyage".
- Pour un nettoyage optimal de la porte, essuyer tout dépôt avec une éponge humide avant de lancer le programme.

## Lampes du four

Les lampes du four sont des ampoules à halogène de 120-volts, 40-watts maximum. Elles s'allument à l'ouverture de la porte du four. Pour les modèles à double four, lampes ne s'allument pas pour le four avec une porte ouverte. Les lampes du four ne fonctionnent pas durant le programme d'autonettoyage.

Lorsque la porte est fermée, appuyer sur la touche Oven Light (lampe du four) appropriée pour allumer la lampe du four.

### Remplacement :

Avant de procéder au remplacement, s'assurer que le four est éteint et froid.

1. Déconnecter la source de courant électrique.
2. Ôter le couvercle en verre de la lampe en saisissant le bord avant et en tirant pour l'écarter du four.



3. Ôter l'ampoule de la douille.
4. Remplacer l'ampoule en la manipulant avec un mouchoir de papier ou des gants de coton. Pour éviter d'endommager ou de réduire la longévité de l'ampoule neuve, ne pas toucher l'ampoule avec les doigts nus.
5. Réinstaller le couvercle de l'ampoule en l'emboîtant dans la paroi.
6. Rétablir l'alimentation électrique.

**IMPORTANT :** Ne pas utiliser d'ampoule d'une puissance supérieure à 40-watts.

# DÉPANNAGE

Essayer d'abord les solutions suggérées ici. Pour obtenir de l'aide ou des conseils qui permettront peut-être d'éviter une intervention de dépannage, consultez la page de garantie de ce manuel et balayez le code QR avec votre appareil mobile, ou visitez le site Internet [http://www.whirlpool.com/product\\_help](http://www.whirlpool.com/product_help). Au Canada, visiter le site Internet <http://www.whirlpool.ca>.

Il est possible d'adresser ses commentaires ou questions par courrier à l'adresse ci-dessous :

Aux États-Unis :

Whirlpool Brand Home Appliances  
Customer eXperience Center  
553 Benson Road  
Benton Harbor, MI 49022-2692

Au Canada :

Whirlpool Brand Home Appliances  
Customer eXperience Centre  
200 – 6750 Century Ave.  
Mississauga, Ontario L5N 0B7

Ne pas oublier d'indiquer dans votre correspondance un numéro de téléphone où l'on peut vous joindre dans la journée.

Problème	Causes et solutions possibles
Rien ne fonctionne	<b>Le four n'est pas câblé correctement :</b> Voir les instructions d'installation. <b>Un fusible domestique est grillé ou le disjoncteur est ouvert.</b> Remplacer le fusible ou réenclencher le disjoncteur. Si le problème persiste, appeler un électricien.
Le four ne fonctionne pas	<b>Le verrouillage des commandes est activé :</b> "Control Lock" (verrouillage des commandes) s'affichera à l'écran. Naviguer vers le haut pour déverrouiller. <b>Le mode Sabbath est activé :</b> Voir la section "Mode Sabbath". <b>Sur les modèles à double four, l'un des fours est autonettoyant :</b> Lorsqu'un four effectue un programme d'autonettoyage, l'autre four ne peut être ni réglé ni allumé.
La température du four est trop élevée ou trop basse	<b>Il faut ajuster la température du four.</b> Voir la section "Calibrage de la température".

Problème	Causes et solutions possibles
<b>Des messages s'affichent</b>	<p><b>Panne de courant :</b> Sur certains modèles, régler de nouveau l'horloge au besoin. Voir la rubrique "Préférences" dans la section "Outils".</p> <p><b>Code d'erreur (l'afficheur indique une lettre suivie d'un numéro) :</b> Appuyer sur la touche Cancel (annulation) pour effacer l'affichage. S'il réapparaît, appeler le service de dépannage. Voir la section "Garantie" pour plus de renseignements.</p> <p><b>Mode de démonstration (l'appareil est en mode de démonstration) :</b> Voir la section "Outils" pour quitter le mode de démonstration.</p>
<b>Le programme de nettoyage n'a pas éliminé toutes les salissures</b>	<p><b>Plusieurs programmes de cuisson avant un programme de nettoyage ou éclaboussures sur les parois et la porte du four. :</b> Lancer des programmes de nettoyage supplémentaires. Le nettoyant affresh® pour la cuisine et les électroménagers peut être utilisé pour les taches tenaces. Voir les sections "Accessoires" et "Cycle d'autonettoyage" pour plus de renseignements.</p>
<b>De l'air chaud sort de l'événement du four</b>	<p>Il est normal que de l'air chaud sorte de l'événement du four. Durant un programme d'autonettoyage, le débit d'air augmente.</p> <p>Le ventilateur de refroidissement peut fonctionner aussi bien durant un programme du four qu'après la fin du programme, ce qui évacue l'air chaud par l'événement du four.</p>
<b>Le ventilateur de convection fonctionne pendant la fonction de cuisson au four</b>	<p>Il est normal que le ventilateur de convection et l'élément de convection se mettent en marche durant la fonction de cuisson au four pour améliorer la performance et la distribution de chaleur.</p>
<b>Longues durées de préchauffage</b>	<p>Certains programmes ne nécessitent pas de préchauffage. Voir les instructions de programme pour connaître les recommandations en ce qui concerne le préchauffage. La plupart des programmes préchauffent à 350 °F (177 °C) en 12 à 17 minutes. Cette durée augmente pour des températures plus élevées. Pour réduire la durée de préchauffage, on peut retirer les grilles inutilisées avant de préchauffer le four.</p>
<b>Le programme d'autonettoyage ne fonctionne pas</b>	<p><b>La porte du four est ouverte :</b> Fermer la porte du four complètement.</p> <p><b>La fonction n'a pas été entrée :</b> Voir la section "Programme d'autonettoyage".</p> <p><b>Un programme d'autonettoyage minuté a été réglé :</b> Voir la section "Programme d'autonettoyage".</p> <p><b>Sur les modèles à double four, l'un des fours est autonettoyant :</b> Lorsqu'un four effectue un programme d'autonettoyage, l'autre four ne peut pas être réglé sur un programme d'autonettoyage.</p>
<b>La cuisson au four ne produit pas les résultats prévus</b>	<p><b>La température programmée est inexacte :</b> Vérifier la recette dans un livre de recettes fiable.</p> <p><b>Il faut ajuster la température du four.</b> Voir "Calibrage de la température" dans la section "Autres modes".</p> <p><b>Le four n'a pas été préchauffé :</b> Voir la section "Cuisson au four et rôtissage".</p> <p><b>Les grilles ont été positionnées de façon inappropriée :</b> Voir la section "Positionnement des grilles et ustensiles de cuisson au four".</p> <p><b>La circulation d'air est insuffisante autour des ustensiles de cuisson au four.</b> Voir la section "Positionnement des grilles et ustensiles de cuisson au four".</p> <p><b>La pâte est distribuée de façon inégale dans le plat.</b> Vérifier que la pâte est répartie uniformément dans le plat.</p> <p><b>Brunissage plus foncé des aliments à cause d'ustensiles de cuisson au four plus ternes ou plus foncés.</b> Diminuer la température du four de 25 °F (15 °C) ou déplacer la grille plus haut dans le four.</p> <p><b>Brunissage moins prononcé des aliments à cause d'ustensiles de cuisson au four brillants ou plus clairs.</b> Déplacer la grille à une position moins élevée dans le four.</p> <p><b>Une durée de cuisson incorrecte a été utilisée.</b> Régler la durée de cuisson.</p> <p><b>La porte du four n'a pas été fermée.</b> Vérifier que les ustensiles de cuisson au four n'empêchent pas la porte de se fermer.</p> <p><b>La porte du four a été ouverte durant la cuisson.</b> L'ouverture de la porte pour vérifier la cuisson laisse la chaleur du four s'échapper et peut nécessiter des durées de cuisson plus longues.</p> <p><b>La grille est trop proche du brûleur de cuisson, ce qui fait que les éléments cuits au four sont trop bruns à la base.</b> Déplacer la grille à une position plus élevée dans le four.</p> <p><b>Les croûtes de tarte brunissent trop tôt.</b> Utiliser du papier d'aluminium pour couvrir le bord de la croûte ou réduire la température de cuisson du four.</p>



# ASSISTANCE OU SERVICE

Avant de faire un appel pour assistance ou service, veuillez consulter la section "Dépannage". Cette vérification peut vous faire économiser le coût d'une intervention de dépannage. Pour de l'aide supplémentaire, suivre les instructions ci-dessous.

Avant d'appeler, avoir à portée de la main la date d'achat et les numéros de modèle et de série complets de l'appareil. Ces renseignements nous aideront à mieux répondre à votre demande.

## Pour des pièces de rechange

Pour commander des pièces de rechange, nous vous recommandons d'utiliser seulement des pièces de rechange FSP®. Les pièces de rechange FSP® d'origine fonctionneront bien et fonctionneront bien parce qu'elles sont fabriquées selon les mêmes spécifications précises utilisées pour fabriquer chaque nouvel appareil WHIRLPOOL®.

Pour savoir où trouver des pièces de rechange FSP® dans votre région, nous appelons ou contacter le centre de service désigné par Whirlpool le plus proche.

## Aux É.-U.

Si vous avez des problèmes ou des questions, appelez Whirlpool Corporation Connected Appliances au **1-866-333-4591**.

## Nos consultants peuvent vous aider sur les points suivants :

- Programmation d'une intervention de dépannage. Les techniciens de service désignés par la gamme des appareils électroménagers Whirlpool sont formés pour remplir la garantie des produits et fournir un service après garantie partout aux États-Unis.
- Caractéristiques et spécifications de notre gamme complète d'appareils ménagers.
- Références aux revendeurs Whirlpool locaux.
- Renseignements sur l'installation.
- Procédés d'utilisation et d'entretien.
- Vente d'accessoires et de pièces de rechange.
- Assistance spécialisée au client (langue espagnole, malentendants, malvoyants, etc.).

## Pour plus d'assistance :

Si vous avez besoin de plus d'assistance, vous pouvez écrire à Whirlpool en soumettant toute question ou problème à :

Whirlpool Brand Home Appliances  
Customer eXperience Center  
553 Benson Road  
Benton Harbor, MI 49022-2692

Veuillez indiquer dans votre correspondance un numéro de téléphone où l'on peut vous joindre dans la journée.

## Accessoires

### Lingettes nettoyantes pour acier inoxydable affresh®

(modèles en acier inoxydable)  
Commander le numéro de pièce W10355049

### Nettoyant pour acier inoxydable affresh®

(modèles en acier inoxydable)  
Commander le numéro de pièce W10355016

### Nettoyant pour cuisine et appareils ménagers affresh®

Commander le numéro de pièce W10355010

### Pierre de cuisson en brique

Commander le numéro de pièce 4378577

### Garniture intégrée double

Commander le numéro de pièce W10536161

### Lèchefrite et grille de rôtissage de qualité supérieure

Commander le numéro de pièce W10123240

### Lèchefrite et grille en porcelaine

Commander le numéro de pièce 4396923

### Grille de four plate standard

Commander le numéro de pièce W10317430

### Garniture intégrée simple

Commander le numéro de pièce W10536160

## Au Canada

Si vous avez des problèmes ou des questions, appelez Whirlpool Corporation Connected Appliances au **1-866-333-4591**.

## Nos consultants peuvent vous aider sur les points suivants :

- Programmation d'une intervention de dépannage. Les techniciens de service désignés par la gamme des appareils électroménagers Whirlpool sont formés pour remplir la garantie des produits et fournir un service après garantie partout au Canada.
- Caractéristiques et spécifications de notre gamme complète d'appareils ménagers.
- Références aux revendeurs Whirlpool locaux.
- Procédés d'utilisation et d'entretien.
- Vente d'accessoires et de pièces de rechange.

## Pour plus d'assistance :

Si vous avez besoin de plus d'assistance, vous pouvez écrire à Whirlpool en soumettant toute question ou problème à :

Customer eXperience Centre  
Whirlpool Canada LP  
200 - 6750 Century Ave.  
Mississauga, Ontario L5N 0B7

Veuillez indiquer dans votre correspondance un numéro de téléphone où l'on peut vous joindre dans la journée



# GARANTIE LIMITÉE DES GROS APPAREILS MÉNAGERS WHIRLPOOL®

ATTACHEZ ICI VOTRE REÇU DE VENTE. UNE PREUVE D'ACHAT EST OBLIGATOIRE POUR OBTENIR L'APPLICATION DE LA GARANTIE.

Lorsque vous appelez le centre d'expérience de la clientèle, veuillez garder à disposition les renseignements suivants :

- Nom, adresse et numéro de téléphone
- Numéros de modèle et de série
- Une description claire et détaillée du problème rencontré
- Une preuve d'achat incluant le nom et l'adresse du marchand ou du détaillant

## SI VOUS AVEZ BESOIN DE SERVICE :

1. Avant de nous contacter pour obtenir un dépannage, veuillez déterminer si des réparations sont nécessaires pour votre produit. Certains problèmes peuvent être résolus sans intervention de dépannage. Prenez quelques minutes pour parcourir la section Dépannage ou Résolution de problèmes du guide d'utilisation et d'entretien, scannez le code QR ci-contre avec votre téléphone intelligent pour accéder à des ressources supplémentaires, ou rendez-vous sur le site <http://www.whirlpool.ca>.
2. Tout service sous garantie doit être effectué exclusivement par nos fournisseurs de dépannage autorisés Whirlpool. Aux É.-U. et au Canada, dirigez toutes vos demandes de service sous garantie au



<http://www.whirlpool.ca>

**Centre d'expérience de la clientèle Whirlpool**

**Aux É.-U., composer le 1-800-253-1301. Au Canada, composer le 1-800-807-6777.**

Si vous résidez à l'extérieur du Canada et des 50 États des États-Unis, contactez votre marchand Whirlpool autorisé pour déterminer si une autre garantie s'applique.

## GARANTIE LIMITÉE DE UN AN

### CE QUI EST COUVERT

Pendant un an à compter de la date d'achat, lorsque ce gros appareil ménager est installé, utilisé et entretenu conformément aux instructions jointes à ou fournies avec le produit, Whirlpool Corporation ou Whirlpool Canada, LP (ci-après désignées "Whirlpool") décidera à sa seule discrétion de remplacer le produit ou de couvrir le coût des pièces spécifiées par l'usine et de la main-d'œuvre nécessaires pour corriger les vices de matériaux ou de fabrication qui existaient déjà lorsque ce gros appareil ménager a été acheté. S'il est remplacé, l'appareil sera couvert pour la période restant à courir de la garantie limitée d'un an du produit d'origine.

### LE SEUL ET EXCLUSIF RECOURS DU CLIENT DANS LE CADRE DE LA PRÉSENTE GARANTIE LIMITÉE CONSISTE EN LA RÉPARATION PRÉVUE PAR LA PRÉSENTE.

Le service doit être fourni par une compagnie de service désignée par Whirlpool. Cette garantie limitée est valide uniquement aux États-Unis ou au Canada et s'applique exclusivement lorsque le gros appareil ménager est utilisé dans le pays où il a été acheté. La présente garantie limitée est valable à compter de la date d'achat initial par le consommateur. Une preuve de la date d'achat initial est exigée pour obtenir un dépannage dans le cadre de la présente garantie limitée.

### CE QUI N'EST PAS COUVERT

1. Usage commercial, non résidentiel ou par plusieurs familles, ou non-respect des instructions de l'utilisateur, de l'opérateur ou des instructions d'installation.
2. Visite d'instruction à domicile pour montrer à l'utilisateur comment utiliser l'appareil.
3. Visites de service pour rectifier une installation ou un entretien fautifs du produit, une installation non conforme aux codes d'électricité ou de plomberie, ou la rectification de l'installation électrique ou de la plomberie du domicile (ex : câblage électrique, fusibles ou tuyaux d'arrivée d'eau du domicile).
4. Pièces consommables (ex : ampoules, batteries, filtres à air ou à eau, solutions de conservation, etc.).
5. Défauts ou dommage résultant de l'utilisation de pièces ou accessoires Whirlpool non authentiques.
6. Conversion de votre produit du gaz naturel ou du gaz de pétrole liquéfié.
7. Dommages causés par : accident, mésusage, abus, incendie, inondations, catastrophe naturelle ou l'utilisation de produits non approuvés par Whirlpool.
8. Réparations aux pièces ou systèmes dans le but de rectifier un dommage ou des défauts résultant d'une réparation, altération ou modification non autorisée faite à l'appareil.
9. Défauts d'apparence, notamment les éraflures, traces de choc, fissures ou tout autre dommage subi par le fini de l'appareil ménager, à moins que ces dommages ne résultent de vices de matériaux ou de fabrication et ne soient signalés à Whirlpool dans les 30 jours suivant la date d'achat.
10. Décoloration, rouille ou oxydation des surfaces résultant d'environnements caustiques ou corrosifs incluant des concentrations élevées de sel, un haut degré d'humidité ou une exposition à des produits chimiques (exemples non exhaustifs).
11. Perte d'aliments ou de médicaments due à la défaillance du produit.
12. Enlèvement ou livraison. Ce produit est conçu pour être réparé à l'intérieur du domicile.
13. Frais de déplacement et de transport pour le dépannage/la réparation dans une région éloignée où une compagnie de service Whirlpool autorisée n'est pas disponible.
14. Retrait ou réinstallation d'appareils inaccessibles ou de dispositifs préinstallés (ex : garnitures, panneaux décoratifs, plancher, meubles, îlots de cuisine, plans de travail, panneaux de gypse, etc.) qui entravent le dépannage, le retrait ou le remplacement du produit.
15. Service et pièces pour des appareils dont les numéros de série et de modèle originaux ont été enlevés, modifiés ou ne peuvent pas être facilement identifiés.

**Le coût d'une réparation ou d'un remplacement dans le cadre de ces circonstances exclues est à la charge du client.**

### CLAUSE D'EXONÉRATION DE RESPONSABILITÉ AU TITRE DES GARANTIES IMPLICITES

LES GARANTIES IMPLICITES, Y COMPRIS LES GARANTIES APPLICABLES DE QUALITÉ MARCHANDE OU D'APTITUDE À UN USAGE PARTICULIER, SONT LIMITÉES À UN AN OU À LA PLUS COURTE PÉRIODE AUTORISÉE PAR LA LOI. Certains États et provinces ne permettent pas de limitation sur la durée des garanties implicites de qualité marchande ou d'aptitude à un usage particulier, de sorte que la limitation ci-dessus peut ne pas être applicable dans votre cas. Cette garantie vous confère des droits juridiques spécifiques et vous pouvez également jouir d'autres droits qui peuvent varier d'une juridiction à l'autre.

### EXONÉRATION DE RESPONSABILITÉ DANS LES DOMAINES NON COUVERTS PAR LA GARANTIE

Whirlpool décline toute responsabilité au titre de la qualité, de la durabilité ou en cas de dépannage ou de réparation nécessaire sur ce gros appareil ménager autre que les responsabilités énoncées dans la présente garantie. Si vous souhaitez une garantie plus étendue ou plus complète que la garantie limitée fournie avec ce gros appareil ménager, adressez-vous à Whirlpool ou à votre détaillant pour obtenir les modalités d'achat d'une garantie étendue.

### LIMITATION DES RECOURS; EXCLUSION DES DOMMAGES FORTUITS OU INDIRECTS

LE SEUL ET EXCLUSIF RECOURS DU CLIENT DANS LE CADRE DE LA PRÉSENTE GARANTIE LIMITÉE CONSISTE EN LA RÉPARATION PRÉVUE PAR LA PRÉSENTE. WHIRLPOOL N'ASSUME AUCUNE RESPONSABILITÉ POUR LES DOMMAGES FORTUITS OU INDIRECTS. Certains États et certaines provinces ne permettent pas l'exclusion ou la limitation des dommages fortuits ou indirects de sorte que ces limitations et exclusions peuvent ne pas être applicables dans votre cas. Cette garantie vous confère des droits juridiques spécifiques et vous pouvez également jouir d'autres droits qui peuvent varier d'une juridiction à l'autre.



# HORNO ELÉCTRICO SIMPLE O DOBLE INTEGRADO. INSTRUCCIONES PARA EL USUARIO

AGRADECEMOS su compra de este producto de alta calidad. Registre su nuevo horno en [www.whirlpool.com](http://www.whirlpool.com). En Canadá, registre el horno en [www.whirlpool.ca](http://www.whirlpool.ca).

Para referencia futura, tome nota de los números de modelo y de serie de su producto. Se encuentran en el lado derecho, debajo del panel de control.

Número de modelo \_\_\_\_\_ Número de serie \_\_\_\_\_

## Índice

<b>SEGURIDAD EN EL USO DEL HORNO</b> .....	<b>41</b>
<b>USO DEL HORNO</b> .....	<b>42</b>
Guía de funciones .....	42
Panel táctil .....	43
Pantalla.....	43
Desplazamiento por la pantalla.....	43
Configuración y modo de demostración.....	43
Métodos de cocción .....	44
Favoritos.....	46
Cocción asistida.....	46
Herramientas.....	47
Otros modos .....	49
Papel de aluminio.....	50
Colocación de las parrillas y los utensilios para hornear .....	50
Parrilla deslizable extensible .....	51
Respiraderos del horno.....	51
Precalentamiento y temperatura del horno .....	52
Horneado y asado.....	52
Asado a la parrilla.....	53
Sonda de temperatura .....	53
Cocción por convección.....	53
<b>CUIDADO DEL HORNO</b> .....	<b>54</b>
Ciclo de autolimpieza.....	54
Limpieza con vapor.....	55
Limpieza general .....	55
Luces del horno .....	56
<b>SOLUCIÓN DE PROBLEMAS</b> .....	<b>56</b>
<b>ASISTENCIA O SERVICIO TÉCNICO</b> .....	<b>58</b>
En Estados Unidos.....	58
Accesorios.....	58
En Canadá.....	58
<b>GARANTÍA</b> .....	<b>59</b>

# SEGURIDAD EN EL USO DEL HORNO

## Su seguridad y la seguridad de los demás es muy importante.

Hemos incluido muchos mensajes importantes de seguridad en este manual y en su electrodoméstico. Lea y obedezca siempre todos los mensajes de seguridad.



Este es el símbolo de alerta de seguridad.

Este símbolo le llama la atención sobre peligros potenciales que pueden ocasionar la muerte o una lesión a usted y a los demás.

Todos los mensajes de seguridad irán a continuación del símbolo de advertencia de seguridad y de la palabra "PELIGRO" o "ADVERTENCIA". Estas palabras significan:

**⚠ PELIGRO**

**Si no sigue las instrucciones de inmediato, usted puede morir o sufrir una lesión grave.**

**⚠ ADVERTENCIA**

**Si no sigue las instrucciones, usted puede morir o sufrir una lesión grave.**

Todos los mensajes de seguridad le dirán el peligro potencial, le dirán cómo reducir las posibilidades de sufrir una lesión y lo que puede suceder si no se siguen las instrucciones.

## INSTRUCCIONES IMPORTANTES DE SEGURIDAD

**ADVERTENCIA:** Para reducir el riesgo de incendio, electrocución, lesiones a personas o daños al usar el horno, siga precauciones básicas, incluyendo las siguientes:

- Instalación apropiada – Cerciórese de que la instalación y puesta a tierra del horno sean efectuadas adecuadamente por un técnico competente.
- Nunca use el horno para entibiar o calentar la habitación.
- No deje a los niños solos - No se debe dejar a los niños sin supervisión en el área donde el horno esté en uso. Jamás se les debe permitir que se sienten ni se paren en parte alguna del horno.
- Use ropa apropiada – Nunca debe ponerse ropa holgada o que se esté colgando mientras esté usando el horno.
- Servicio del usuario - No repare ni reemplace pieza alguna del horno a menos que se recomiende específicamente en el manual. Cualquier otro servicio se debe dejar en las manos de un técnico competente.
- Almacenaje en el horno – No deberán guardarse en el horno materiales inflamables.
- No use agua en incendios provocados por grasa – Extinga el incendio o la llama o use un extinguidor de tipo espuma o químico seco.
- Use sólo agarradores de ollas secos - Los agarradores de ollas húmedos o mojados en las superficies calientes pueden ocasionar quemaduras por vapor. No deje que el agarrador de ollas toque los elementos calefactores calientes. No use una toalla ni otros paños voluminosos.
- Tenga cuidado al abrir la puerta – Deje que salga el aire caliente o el vapor antes de quitar o volver a colocar alimentos.
- No ponga a calentar recipientes de alimentos cerrados – La acumulación de presión puede hacer que el recipiente explote y ocasione lesiones.
- Mantenga los ductos de ventilación del horno sin obstrucciones.
- Colocación de las parrillas del horno – Siempre coloque las parrillas del horno en el lugar deseado mientras el horno esté frío. Si se debe mover la parrilla mientras el horno está caliente, no permita que el agarrador de ollas entre en contacto con el elemento calefactor caliente en el horno.
- NO TOQUE LOS ELEMENTOS CALEFACTORES NI LAS SUPERFICIES INTERIORES DEL HORNO – Los elementos calefactores podrían estar calientes, aún si están de color oscuro. Las superficies interiores de un horno se calientan lo suficiente como para causar quemaduras. Durante y después del uso, no toque ni deje que la ropa u otros materiales inflamables toquen los elementos calefactores ni las superficies interiores del horno hasta que haya transcurrido tiempo suficiente para que se enfríen. Otras superficies del horno pueden calentarse lo suficiente como para causar quemaduras, entre esas superficies están los orificios de ventilación del horno y las superficies cercanas a esos orificios, las puertas del horno y las ventanas de las puertas del horno.

### Para los hornos con autolimpieza:

- No limpie la junta – La junta es esencial para un cierre hermético. Deberá tenerse cuidado de no frotar, dañar ni mover la junta.
- No use limpiadores para horno – No deberá usarse ningún limpiador para horno comercial ni revestimiento protector para hornos de ninguna clase dentro ni alrededor de ninguna parte del horno.
- Limpie solamente las partes enlistadas en el manual.
- Antes de hacer la autolimpieza del horno – Quite la charola para asar a la parrilla y otros utensilios.

## GUARDE ESTAS INSTRUCCIONES

Advertencias de la Proposición 65 del estado de California:

**ADVERTENCIA:** Este producto contiene una o más sustancias químicas identificadas por el estado de California como causantes de cáncer.

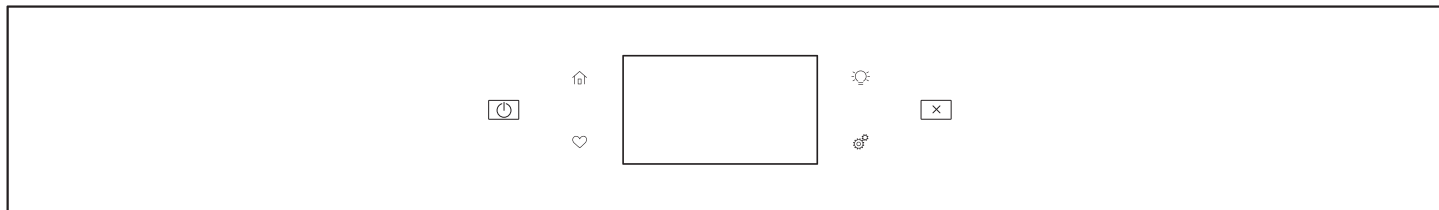
**ADVERTENCIA:** Este producto contiene una o más sustancias químicas identificadas por el estado de California como causantes de defectos congénitos o algún otro tipo de daños en la función reproductora.

# USO DEL HORNO

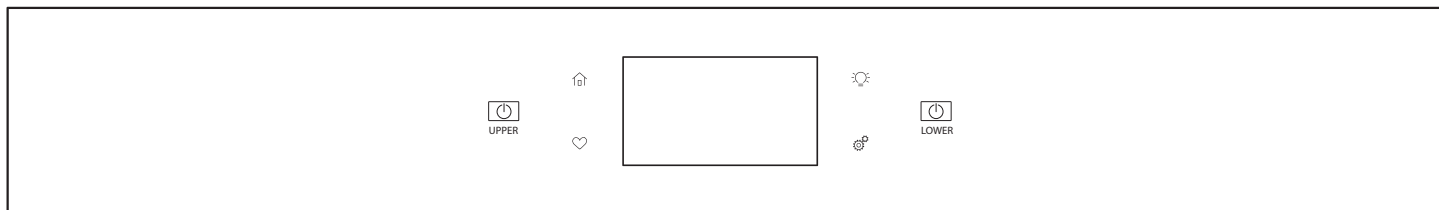
## Guía de funciones

Este manual abarca varios modelos. Su modelo puede contar con algunos o todos los elementos enumerados. Consulte este manual o la sección de “Preguntas frecuentes” de nuestra página de Internet, en [www.whirlpool.com](http://www.whirlpool.com) para obtener instrucciones más detalladas. En Canadá, consulte la sección de Servicio al cliente en [www.whirlpool.ca](http://www.whirlpool.ca).

### Horno simple



### Horno doble



Tecla	Función	Instrucciones
<b>Herramientas</b> 	<b>Funciones para usar el horno</b>	Permite adaptar los tonos audibles y el funcionamiento del horno a sus necesidades. Consulte las secciones “Herramientas” y “Otros modos”.
<b>Inicio</b> 	<b>Pantalla inicial</b>	Si se presiona una vez, permite al usuario volver a las pantallas “Métodos de cocción” y “Cocción asistida”. Si se presiona dos veces, se muestra la hora del día.
<b>Favoritos</b> 	<b>Favoritos</b>	La tecla Favoritos permite al usuario guardar los ciclos que utiliza con frecuencia.
<b>Luz del horno</b> 	<b>Luz de la cavidad del horno</b>	La luz del horno se controla con una tecla situada en el panel de control del horno. Con la puerta del horno cerrada, presione la tecla Oven Light (Luz del horno) para encender y apagar la luz. Cuando se abre la puerta del horno, la luz interior se enciende automáticamente.
<b>Encendido del horno (solo hornos simples)</b> 	<b>Función de activación del horno</b>	La tecla de encendido del horno inicia la función del horno y lo activa en el modo de reposo.
<b>Cancelación del horno (solo hornos simples)</b> 	<b>Función de cancelación del horno</b>	La tecla Cancelación del horno detiene cualquier función del horno, excepto Clock (Reloj), Timer (Temporizador) y Control Lock (Bloqueo de controles) en el horno seleccionado.
<b>Superior Inferior (solo hornos dobles)</b> 	<b>Función de encendido/ cancelación del horno</b>	Las teclas Upper (Superior) e Lower (Inferior) encienden el horno seleccionado y lo activan en el modo de reposo. Si el horno seleccionado ya está encendido, la tecla Superior o Inferior detiene cualquier función del horno, excepto Clock (Reloj), Timer (Temporizador) y Control Lock (Bloqueo de controles) en el horno seleccionado.

---

## Panel táctil

El panel de control aloja el menú de control y los controles de las funciones. Las teclas táctiles son muy sensibles y se activan con un toque ligero. Desplácese hacia arriba, abajo, derecha o izquierda para explorar las distintas opciones y funciones.

Para obtener más información acerca de los controles individuales, consulte las secciones respectivas en este manual.

---

## Pantalla

La pantalla contiene los controles de las funciones de menú y del horno. La pantalla táctil permite desplazarse por los menús del horno. La pantalla es muy sensible y se activa y controla con un toque ligero.

Cuando se utiliza un horno, la pantalla muestra el reloj, el modo, la temperatura del horno, el temporizador de cocina y el del horno, si se ha ajustado. Si no se ajustó el temporizador del horno, puede hacerlo en esta pantalla.

Después de unos 2 minutos de inactividad, la pantalla entra en el modo de reposo y su brillo se atenúa. Cuando el horno está en funcionamiento, la pantalla permanece encendida.

Durante el uso, la pantalla muestra los menús y las selecciones adecuadas para las opciones elegidas.

---

## Desplazamiento por la pantalla

Si el horno está apagado, toque la tecla de encendido del horno, o superior o inferior, para activar el menú del horno que desee. En esta pantalla pueden activarse todos los programas de cocción automática; puede programarse toda la cocción manual; pueden regularse las opciones y se tiene acceso a las instrucciones, formas de preparación y consejos.

---

## Configuración y modo de demostración

1. Seleccione STORE DEMO MODE (Guardar modo de demostración) para ingresar al modo de demostración.

### O BIEN

1. Seleccione NEXT (Siguiente) para ingresar al uso del producto.
2. Siga las indicaciones en pantalla para seleccionar un idioma, configurar Wi-Fi/la conexión a la red, aceptar las condiciones de servicio y ajustar la hora.

**NOTA:** la pantalla mostrará fecha y hora (pantalla predeterminada/modo en espera)

3. Seleccione TRY THE PRODUCT (Pruebe el producto) para examinar diversas características y opciones del producto.

**OPCIONAL:** Seleccione VIEW PRODUCT VIDEOS (Ver videos del producto) para ver un video sobre cómo navegar e interactuar con el producto, examinar el control de voz y la función Scan-To-Cook.

4. Desplácese y seleccione EXPLORE (Explorar).
5. Seleccione las herramientas (el icono con un engranaje).

Para salir del modo de demostración, vea la sección "Herramientas".

## Métodos de cocción

### **ADVERTENCIA**

#### **Peligro de Intoxicación Alimentaria**

**No deje sus alimentos en el horno por más de una hora antes o después de su cocción.**

**No seguir esta instrucción puede ocasionar intoxicación alimentaria o enfermedad.**

Método de cocción	Función	Instrucciones
<b>BAKE (horneado)</b>	<b>Horneado y asado</b>	<ol style="list-style-type: none"><li>1. Presione la tecla de Oven Power (Encendido del horno) o la tecla Upper/Lower (Superior o Inferior) para elegir el horno que desee.</li><li>2. Seleccione COOKING METHODS (los métodos de cocción).</li><li>3. Seleccione BAKE (horneado).</li><li>4. Seleccione la temperatura que desee desplazándose a izquierda o derecha, o manualmente, seleccionando la parrilla en la esquina superior derecha e introduciendo la temperatura de HORNEADO en el teclado.</li><li>5. Seleccione START (Iniciar) para comenzar el precalentamiento. Suena una señal al terminar el precalentamiento. (Opcional) Para precalentar el horno con rapidez, consulte la información de la sección "Precalentamiento rápido".</li><li>6. Presione la tecla de Oven Cancel (Cancelación del horno) o la tecla Upper/Lower (Superior o Inferior) para elegir el horno al terminar.</li></ol>
<b>BROIL (asado a la parrilla)</b>	<b>Asado a la parrilla</b>	<ol style="list-style-type: none"><li>1. Presione la tecla de Oven Power (Encendido del horno) o la tecla Upper/Lower (Superior o Inferior) para elegir el horno que desee.</li><li>2. Seleccione COOKING METHODS (los métodos de cocción).</li><li>3. Seleccione BROIL (asado a la parrilla).</li><li>4. Seleccione la temperatura que desee desplazándose a izquierda o derecha, o manualmente, seleccionando la parrilla en la esquina superior derecha e introduciendo la temperatura de asado a la parrilla en el teclado.</li><li>5. Seleccione START (iniciar).</li><li>6. Presione la tecla de Oven Cancel (Cancelación del horno) o la tecla Upper/Lower (Superior o Inferior) para elegir el horno al terminar.</li></ol>
<b>CONVECT (convección)</b>	<b>Horneado por convección</b>	<ol style="list-style-type: none"><li>1. Presione la tecla de Oven Power (Encendido del horno) o la tecla Upper/Lower (Superior o Inferior) para elegir el horno que desee.</li><li>2. Seleccione COOKING METHODS (los métodos de cocción).</li><li>3. Seleccione CONVECT BAKE (horneado por convección).</li><li>4. Seleccione la temperatura que desee desplazándose a izquierda o derecha, o manualmente, seleccionando la parrilla en la esquina superior derecha e introduciendo la temperatura deL en el teclado.</li><li>5. Seleccione START (Iniciar) para comenzar el precalentamiento. Suena una señal al terminar el precalentamiento. (Opcional) Para precalentar el horno con rapidez durante el horneado por convección, consulte la información de la sección "Precalentamiento rápido".</li><li>6. Presione la tecla de Oven Cancel (Cancelación del horno) o la tecla Upper/Lower (Superior o Inferior) para elegir el horno al terminar.</li></ol> <p>Para obtener más información, consulte la sección "Cocción por convección".</p>



Método de cocción	Función	Instrucciones
<b>CONVECT (convección)</b>	<b>Asado a la parrilla por convección</b>	<ol style="list-style-type: none"> <li>1. Presione la tecla de Oven Power (Encendido del horno) o la tecla Upper/Lower (Superior o Inferior) para elegir el horno que desee.</li> <li>2. Seleccione COOKING METHODS (los métodos de cocción).</li> <li>3. Seleccione CONVECT BROIL (asado a la parrilla por convección).</li> <li>4. Seleccione la temperatura que desee desplazándose a izquierda o derecha, o manualmente, seleccionando la parrilla en la esquina superior derecha e introduciendo la temperatura Convect Broil (de asado a la parrilla por convección) en el teclado.</li> <li>5. Seleccione START (iniciar).</li> <li>6. Presione la tecla de Oven Cancel (Cancelación del horno) o la tecla Superior o Inferior para elegir el horno al terminar.</li> </ol> <p>Para obtener más información, consulte la sección “Cocción por convección”.</p>
<b>CONVECT (convección)</b>	<b>Asado por convección</b>	<ol style="list-style-type: none"> <li>1. Presione la tecla de Oven Power (Encendido del horno) o la tecla Upper/Lower (Superior o Inferior) para elegir el horno que desee.</li> <li>2. Seleccione COOKING METHODS (los métodos de cocción).</li> <li>3. Seleccione CONVECT ROAST (asado por convección).</li> <li>4. Seleccione la temperatura que desee desplazándose a izquierda o derecha, o manualmente, seleccionando la parrilla en la esquina superior derecha e introduciendo la temperatura Convect Roast (de asado por convección) en el teclado.</li> <li>5. Seleccione START (Iniciar) para comenzar el precalentamiento. Suena una señal al terminar el precalentamiento.</li> <li>6. Presione la tecla de Oven Cancel (Cancelación del horno) o la tecla Upper/Lower (Superior o Inferior) para elegir el horno al terminar.</li> </ol> <p>Para obtener más información, consulte la sección “Cocción por convección”.</p>
<b>KEEP WARM (conservación caliente)</b>	<b>Conservación caliente</b>	<p>Los alimentos deben estar a la temperatura de consumo antes de colocarlos en el horno caliente.</p> <ol style="list-style-type: none"> <li>1. Presione la tecla de Oven Power (Encendido del horno) o la tecla Upper/Lower (Superior o Inferior) para elegir el horno que desee.</li> <li>2. Seleccione COOKING METHODS (los métodos de cocción).</li> <li>3. Seleccione KEEP WARM (conservación caliente).</li> <li>4. Seleccione la temperatura que desee desplazándose a izquierda o derecha, o manualmente, seleccionando la parrilla en la esquina superior derecha e introduciendo la temperatura que desee en el teclado.</li> <li>5. Seleccione START (iniciar).</li> <li>6. Presione la tecla de Oven Cancel (Cancelación del horno) o la tecla Upper/Lower (Superior o Inferior) para elegir el horno al terminar.</li> </ol>
<b>RAPID (rápido)</b>	<b>Precalentamiento rápido del horno</b>	<p>Proporciona el tiempo de precalentamiento más rápido para la función de horneado. El Precalentamiento rápido está prefijado como apagado.</p> <ol style="list-style-type: none"> <li>1. Seleccione RAPID (rápido) para cambiar entre el encendido y el apagado del precalentamiento rápido.</li> <li>2. Aparecerá el ajuste actual.</li> </ol> <p><b>IMPORTANTE:</b> Esta función debe usarse solamente para hornear con una parrilla. Las parrillas que no se usen deberán retirarse antes de utilizar el precalentamiento rápido. Deberá usarse una parrilla estándar para Precalentamiento rápido. Si ya ha comenzado a precalentarse el horno para el ciclo de HORNEADO, puede ponerse en marcha el precalentamiento rápido con la selección de dicha función.</p>
<b>DELAY START (Inicio diferido)</b>	<b>Inicio diferido</b>	<p>El Delay Start (inicio diferido) se utiliza para ingresar la hora en la que terminará una función del horno con inicio diferido. Cuando haya seleccionado el método de cocción, introduzca la temperatura del horno. Seleccione DELAY (diferido) y siga las instrucciones en pantalla.</p> <p><b>NOTA:</b> Delay Start (Inicio diferido) no debe usarse para alimentos tales como panes y pasteles, ya que tal vez no se horneen como es debido.</p>
<b>COOK TIME (tiempo de cocción)</b>	<b>Cocción programada</b>	<p>La función Cook Time (tiempo de cocción) permite que el horno se programe para encenderse a una determinada hora del día, cocine durante un tiempo establecido y/o se apague automáticamente.</p>

## Favoritos

La función Favoritos almacena el modo y la temperatura del horno de sus recetas favoritas.

Cuando sigue utilizando su herramienta de favoritos, su producto pule y personaliza las sugerencia de sus necesidades de cocción.

**NOTA:** Es posible que la pantalla inicial muestre automáticamente un conjunto seleccionado de favoritos y recomendaciones basado en sus tiempos de cocción.

Para guardar una receta, seleccione la tecla Favoritos (icono de corazón) y siga las instrucciones en pantalla para personalizar sus favoritos.

Añada una imagen o asigne nombre al favorito para personalizarlo de acuerdo con sus preferencias.

## Cocción asistida

La cocción asistida le ayuda a seleccionar el modo adecuado para sus necesidades de cocción cotidianas.

Algunos modelos permiten que se salte el precalentamiento. Siga las instrucciones en la pantalla para obtener orientación en el proceso de cocción.

**NOTA:** Las temperaturas de horneado tradicionales se convertirán en temperaturas de horneado de convección. Convect Bake (Horneado de convección) requiere que ingrese el tiempo y la temperatura También debe precalentar el horno.

Los tiempos tradicionales para asar se convertirán en tiempos para asar por convección. Convect Roast (Asado por convección) requiere que ingrese el tiempo y la temperatura, pero no es necesario que precaliente el horno.

Algunos modelos convierten los tiempos de horneado estándar para la cocción por convección. Ingrese su tiempo y temperatura y su pantalla los convertirá según corresponda.

Modos de cocción asistida	Selecciones de alimentos	Consejos para obtener resultados óptimos
<b>FROZEN (Congelado)</b>	<ul style="list-style-type: none"> <li>■ Pizza congelada</li> <li>■ Empanada congelada</li> <li>■ Papas fritas congeladas</li> <li>■ Lasaña congelada</li> <li>■ Nuggets congelados</li> <li>■ Comidas congeladas</li> </ul>	<p>Los alimentos congelados no requieren que precaliente el horno. Inserte los alimentos inmediatamente, ingrese el tiempo y la temperatura máximos recomendados por el fabricante.</p> <p>Para obtener más información, vea la sección "Frozen Bake™" (Hornear congelados).</p>
<b>POULTRY (Pollo)</b>	<ul style="list-style-type: none"> <li>■ Presas de pollo</li> <li>■ Pollo entero</li> </ul>	<p>Los alimentos de pollo no requieren que precaliente el horno. Inserte los alimentos inmediatamente.</p>
<b>SEAFOOD (Mariscos)</b>	<ul style="list-style-type: none"> <li>■ Filete de pescado</li> <li>■ Palitos de pescado</li> </ul>	<p>Los filetes de pescado y palitos de pescado requieren que precaliente el horno. Introduzca el alimento cuando termine de precalentar.</p>
<b>BAKED GOODS (Alimentos horneados)</b>	<ul style="list-style-type: none"> <li>■ Galletas</li> <li>■ Medialunas</li> </ul>	<p>Los alimentos horneados requieren que precaliente el horno. Introduzca el alimento cuando termine de precalentar.</p>
<b>DESSERTS (Postres)</b>	<ul style="list-style-type: none"> <li>■ Pastel</li> <li>■ Pastel fresco</li> <li>■ Galletas</li> <li>■ Empanada congelada</li> </ul>	<p>Los pasteles, galletas y pasteles frescos requieren precalentar el horno. Introduzca el alimento cuando termine de precalentar.</p> <p>Las empanadas congeladas no requieren que precaliente el horno. Introduzca los alimentos inmediatamente, ingrese el tiempo y la temperatura máximos recomendados por el fabricante.</p>
<b>PIZZA</b>	<ul style="list-style-type: none"> <li>■ Pizza fresca</li> <li>■ Pizza congelada</li> </ul>	<p>La pizza fresca requiere que precaliente el horno.</p> <p>La pizza congelada no requiere que precaliente el horno. Inserte los alimentos inmediatamente, ingrese el tiempo y la temperatura máximos recomendados por el fabricante. Para obtener más información, vea la sección "Frozen Bake™".</p>
<b>MEATS (Carnes)</b>	<ul style="list-style-type: none"> <li>■ Pastel de carne</li> <li>■ Asado de cerdo</li> <li>■ Asado de carne de res</li> <li>■ Asado de cordero</li> </ul>	<p>El pastel de carne requiere que precaliente el horno. Introduzca el alimento cuando termine de precalentar.</p> <p>Los asados de cordero, vacuno y cerno no requieren que precaliente el horno. Inserte los alimentos inmediatamente.</p>
<b>VEGGIES (Verduras)</b>	<ul style="list-style-type: none"> <li>■ Patata horneada</li> <li>■ Verduras frescas asadas</li> </ul>	<p>Las verduras frescas asadas y patatas horneadas no requieren que precaliente el horno. Inserte los alimentos inmediatamente.</p>
<b>CASSEROLES (Guisados)</b>	<ul style="list-style-type: none"> <li>■ Guisado</li> <li>■ Lasaña congelada</li> </ul>	<p>Los guisados no requieren que precaliente el horno. Introduzca el alimento cuando termine de precalentar.</p> <p>La lasaña congelada no requiere que precaliente el horno. Inserte los alimentos inmediatamente. Ingrese el tiempo y la temperatura máximos recomendados por el fabricante. Para obtener más información, vea la sección "Frozen Bake™".</p>
<b>SNACKS (Bocadillos)</b>	N/A	<p>Los bocadillos requieren que precaliente el horno. Introduzca el alimento cuando termine de precalentar.</p>

## Herramientas

La tecla Herramientas permite acceder a funciones y opciones de personalización del horno. Con dichas herramientas puede ajustar el reloj, cambiar la temperatura del horno entre Fahrenheit y Celsius, activar o desactivar las señales y mensajes sonoros, ajustar la calibración del horno o cambiar el idioma, entre otras cosas.

Seleccione la tecla Herramientas para ver sus funciones:

- Remote Enable (Habilitación remota)
- Kitchen Timer (temporizador de cocina)
- Light (Luz)
- Self-Clean (Autolimpieza)
- Mute (Silencio)
- Control Lock (Bloqueo de controles)
- Probe (Sonda)

Para obtener más información, consulte la sección “Otros modos”.

Herramienta	Notas
<b>Remote Enable (Habilitación remota)</b>	Seleccione REMOTE ENABLE (Habilitación remota) para utilizar la aplicación Whirlpool®. <b>NOTA:</b> La Habilitación remota se apaga cuando se abre la puerta del horno. Se debe reactivar cada vez que se vaya a utilizar.
<b>Kitchen Timer (temporizador de cocina)</b>	Ajuste el temporizador de cocina manualmente con la introducción del tiempo que desee en el teclado. <ol style="list-style-type: none"><li>1. Seleccione KITCHEN TIMER (temporizador de cocina).</li><li>2. Introduzca manualmente la duración que desee.</li><li>3. Seleccione START (iniciar).</li><li>4. Seleccione CANCELAR para detener el temporizador de cocina.</li></ol>
<b>Light (Luz)</b>	Seleccione LUZ para encender o apagar la luz. Cuando se abre la puerta del horno, la luz interior se enciende automáticamente.
<b>Self-Clean (Autolimpieza)</b>	Consulte la sección “Autolimpieza”.
<b>Mute (Silencio)</b>	Seleccione MUTE (Silencio) para silenciar o activar los sonidos del horno.
<b>Control Lock (Bloqueo de controles)</b>	Con Bloqueo de controles se desactivan las teclas del panel de control para evitar el uso accidental del horno. El Bloqueo de controles permanece activado después de un corte de energía si se ajusta antes de que este se produzca. Cuando los controles están bloqueados, solo funcionan las teclas de Encendido del horno, Herramientas y Luz del horno. El valor predeterminado de Control Lock (bloqueo de controles) es desactivado, pero puede activarse. <b>Para bloquear/desbloquear los controles:</b> <ol style="list-style-type: none"><li>1. Verifique que el horno esté apagado.</li><li>2. Seleccione la tecla Control Lock (bloqueo de controles).</li><li>3. Se muestra Control Lock (bloqueo de controles).</li><li>4. Desplace hacia arriba para desbloquear. No funcionará ninguna tecla.</li></ol>
<b>Probe (Sonda)</b>	Usar con Probe Cooking Mode (Modo de cocción con sonda).

---

## Preferencias

### Horas y fechas

Ajuste las preferencias de hora y fecha.

**NOTA:** Si el usuario está conectado a una red Wi-Fi, la hora y la fecha se ajustan automáticamente.

### Your Meal Times (Sus horarios de comidas)

Ajuste cuando aparezca desayuno/almuerzo/cena

- Time (Hora)
- Date (Fecha)
- Time Format (Formato horario, AM/PM o de 24 horas [horario militar])

### Sound Volume (Volumen de sonido)

Ajuste las preferencias de volumen de sonido.

- Timers and Alerts (Temporizadores y alertas)
- Buttons and Effects (Teclas y efectos)

### Display Settings (Ajustes de pantalla)

Ajuste los parámetros de la pantalla.

- Display Brightness (Brillo de la pantalla): Ajuste el brillo
- Emphasize Info When I am Far (Destacar información cuando esté lejos): Active o desactive

### Regional

Ajuste las preferencias regionales.

- **Language (Idioma:** inglés, español o francés)
- **Temperature Units (Unidades de temperatura:** Fahrenheit y Celsius.)

---

## Wi-Fi

- **Conéctese a la red:** Descargue la aplicación Whirlpool® de la tienda de aplicaciones de su celular. Consulte la hoja Configuración de la conectividad para obtener instrucciones más detalladas.
- **Código SAID:** El código SAID se utiliza para sincronizar un dispositivo inteligente con el aparato.
- **Dirección MAC:** Se muestra la dirección MAC del módulo Wi-Fi.
- **Radio Wi-Fi:** Active o desactive la red Wi-Fi.

---

## Información

- **Servicio y asistencia:** Muestra el número de modelo, los datos de contacto de asistencia al cliente y diagnósticos.
- **Guardar modo demo:** Seleccione STORE DEMO MODE para activar o desactivar la demostración.

### Inicie el modo de demostración:

1. Seleccione las herramientas (el icono con un engranaje)
2. Desplácese y seleccione INFO (Información)
3. Seleccione STORE DEMO MODE (Guardar modo de demostración) y seleccione ON (Encender).

**NOTA:** la pantalla mostrará la hora

4. Seleccione TOOLS (Herramientas)
5. Seleccione TRY THE PRODUCT (Pruebe el producto) o VIEW PRODUCT VIDEOS (Ver videos del producto)

Si la unidad está en modo de demostración después de encenderla, siga estos pasos para salir del modo de demostración.

### Salir del modo de demostración:

1. Seleccione TRY THE PRODUCT (Pruebe el producto).
2. Desplácese y seleccione EXPLORE (Explorar).
3. Seleccione las herramientas (el icono con un engranaje).
4. Desplácese y seleccione INFO (Información).
5. Seleccione STORE DEMO MODE (Guardar modo de demostración) y seleccione OFF (Apagar).
6. Seleccione YES (Sí) en la pantalla de confirmación.

- **Restablecer fábrica:** Devuelve el producto a los ajustes originales de fábrica.
- **Condiciones del uso de Wi-Fi:** [www.whirlpool.com/connect](http://www.whirlpool.com/connect).
- **Condiciones de uso del software.**

## Otros modos

### Calibración de la temperatura

**IMPORTANTE:** No use un termómetro para medir la temperatura del horno. Los elementos se encenderán y se apagarán según sea necesario para mantener una temperatura uniforme, pero es posible que funcione en algún momento ligeramente caliente o frío a causa de este ciclo. La apertura del horno afecta a los ciclos de los elementos y a la temperatura.

El horno proporciona temperaturas precisas y se ha sometido a pruebas exhaustivas en la fábrica. Sin embargo, puede cocinar más rápido o más lento que su horno anterior, con diferencias de horneado o de dorado final. Si es necesario, la calibración de la temperatura se puede ajustar en grados Fahrenheit o Celsius.

En los hornos dobles, el horno superior y el inferior se pueden calibrar individualmente de forma independiente.

Un signo menos significa que el horno estará más frío con el valor que se muestra en la pantalla. La ausencia de signo menos significa que el horno estará a temperatura más caliente con el valor que aparece en la pantalla. Ajuste la temperatura del horno con un máximo de +, -30°F (+, -18°C). Se recomienda realizar cambios en tramos de 3°C (5°F) hasta conseguir el resultado que se busca.

**NOTA:** La pantalla del horno sigue mostrando el ajuste de temperatura original y no refleja el cambio de calibración. Por ejemplo, si está ajustado en 350°F (177°C) y se calibra a -20, la pantalla seguirá mostrando 350°F (177°C).

### Para ajustar la calibración de la temperatura del horno:

1. Presione la tecla Herramientas.
2. Seleccione MORE MODES (otros modos).
3. Seleccione TEMPERATURE CALIBRATION (calibración de temperatura).
4. Desplace de izquierda a derecha para aumentar o reducir la temperatura.

**NOTA:** La calibración de cada horno se puede ajustar de manera independiente.

### Modo Sabbat

Para buscar orientación sobre el uso y una lista completa de modelos con modo Sabbat, visite [www.star-k.org](http://www.star-k.org).

El modo Sabbat programa el horno para que permanezca encendido en un ajuste de hornear hasta que se desconecte.

Cuando se activa el modo Sabbat, solo funciona el ciclo Bake (hornear). Todos los demás ciclos de cocción y limpieza estarán deshabilitados. No sonará ningún tono y la pantalla no indicará los cambios de temperatura. Cuando se abra o se cierre la puerta del horno, la luz no se encenderá ni apagará, y los elementos de calentamiento no se encenderán ni apagará inmediatamente.

En el caso de horno doble, las temperaturas del horno superior y del inferior, así como los temporizadores de cocción, se pueden ajustar por separado.

Si se ajusta el temporizador de cocción, aparece la cuenta regresiva. El temporizador inicia la cuenta atrás cuando se ajusta.

**NOTA:** Si ocurre una falla de energía mientras el modo de descanso está en funcionamiento, el horno mostrará el modo de descanso encendido, pero el ciclo de horneado no estará encendido. Si se abre la puerta del horno durante este periodo, se enciende la luz interior.

### Para activar y desactivar el modo Sabbat:

1. Presione la tecla Tools (herramientas).
2. Seleccione MORE MODES (otros modos).
3. Seleccione SABBATH MODE (modo Sabbat).
4. Vuelva a presionar Sabbath Mode (modo Sabbat) para activarlo (este modo está prefijado como desconectado).
5. Seleccione YES (Si) desea tener los dos hornos activados o solo uno y el horneado durante el Sabbat.
6. Si solo se va a utilizar un horno, selecciónelo. Una vez seleccionada la cavidad, se indica al usuario que introduzca la temperatura y el tiempo de cocción.

Si se utilizará el modo Sabbat en los dos hornos, seleccione cada cavidad de horno por separado. Una vez seleccionada la cavidad, se indica al usuario que introduzca la temperatura y el tiempo de cocción de cada cavidad por separado.

(Opcional) Para la cocción temporizada en modo Sabbat, presione ADD A COOK TIME (añadir tiempo de cocción) para el horno seleccionado, introduzca el tiempo de cocción que desee y presione NEXT (siguiente).

7. Seleccione START (iniciar).

### Para desactivar y salir del modo Sabbat:

1. Presione la tecla Oven Power/Cancel (Encendido del horno/Cancelar).
2. Mantenga presionada la pantalla durante tres segundos.

### Para ajustar la temperatura en modelos con horno simple o doble:

1. Presione +/- 25 en la pantalla para seleccionar la nueva temperatura.

**NOTA:** El ajuste de temperatura no aparecerá en la pantalla y no sonará ningún tono.

## Papel de aluminio

**IMPORTANTE:** Para evitar daños permanentes en el acabado de la base del horno, no lo cubra con ningún tipo de papel de aluminio o revestimiento.

Para obtener resultados de cocción óptimos, no cubra toda la parrilla del horno con papel de aluminio, ya que el aire debe poder circular libremente.

Para recoger las salpicaduras, coloque papel de aluminio en la parrilla que está debajo del recipiente de hornear. Cerciórese de que el papel de aluminio sea al menos 1/2" (13 mm) más grande que el plato y vuélvalo hacia arriba en los bordes.

## Colocación de las parrillas y los utensilios para hornear

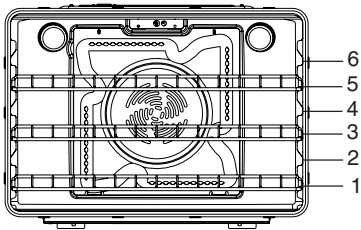
**IMPORTANTE:** Para evitar daños permanentes en el acabado de porcelana, no coloque alimentos ni utensilios de hornear directamente sobre la puerta o la base del horno.

### Parrillas

- Coloque las parrillas antes de encender el horno.
- No coloque parrillas con utensilios para hornear encima.
- Asegúrese de que las parrillas estén niveladas.
- Coloque el alimento de modo que no se levante dentro del elemento para asar a la parrilla. Deje por lo menos 1/2" (13 mm) entre los recipientes y el elemento para asar a la parrilla.

Para sacar una parrilla, elévela a la posición de tope, levante el borde delantero y luego sáquela. Use las ilustraciones y las tablas siguientes como guía para la posición de las parrillas.

### Posiciones de la parrilla: Horno superior e inferior



### Asado a la parrilla

Alimento	Posición de la parrilla
Asado máximo	6

Para que las hamburguesas tengan un exterior bien dorado y un interior a punto, use una parrilla plana en la posición de parrilla 6. El lado 1 debe cocinarse durante unos 3 minutos. El lado 2 debe cocinarse unos 3 o 4 minutos. Es normal que haya un grado moderado de humo cuando se asa a la parrilla.

### Cocción tradicional

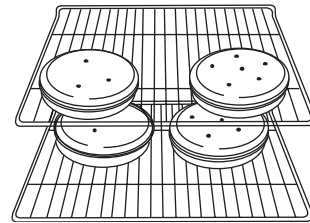
Alimento	Posición de la parrilla
Asados grandes, pavos, pasteles de ángel, roscas bundt, panes rápidos, tartas	1 o 2
Panes de levadura, guisados, carne y aves	2
Galletas, pastelillos, panecillos, pasteles	2 o 3 cuando se hornea en una sola parrilla; 2 y 5 cuando se utilizan varias parrillas.

## Cocción por convección

Ajuste del horno	Número de parrillas utilizadas	Posiciones de parrilla
Horneado con precalentamiento rápido	1	3
Horneado por convección con precalentamiento rápido	1	3
Horneado por convección	1	1, 2, o 3
Horneado por convección	2	2 y 5
Horneado por convección	3	1, 3, y 5
Asado por convección	1	1 o 2
Asado a la parrilla por convección	1	4, 5, o 6

### Horneado de pasteles de capas en dos parrillas

Para obtener los mejores resultados cuando hornee pasteles en dos parrillas, utilice las posiciones 2 y 5 con la función Bake (horneado). Coloque los pasteles en las parrillas como se muestra. Deje un espacio de al menos 5 cm (2 pulg.) entre la parte delantera de las parrillas y de los pasteles.



### Horneado de galletas en dos parrillas

Para obtener los mejores resultados cuando hornee galletas en 2 parrillas, utilice las posiciones 2 y 5 con la función Convection Bake (horneado con convección).

### Utensilios para hornear

Para una cocción uniforme del alimento, el aire caliente debe poder circular. Deje 5 cm (2 pulg.) libres alrededor del utensilio para hornear y las paredes del horno. Utilice la tabla siguiente como guía.

Número de bandejas	Posición en la parrilla
1	Centro de la parrilla.
2	Lado a lado o ligeramente en zigzag.
3 o 4	Consulte la ilustración anterior.

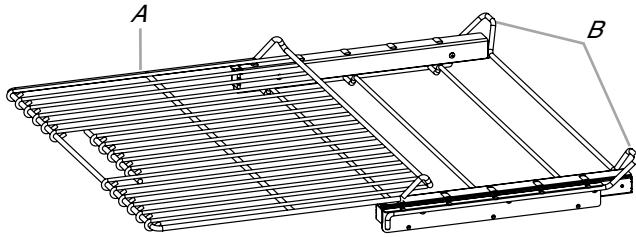
**NOTA:** El material y el color de los utensilios para horno pueden afectar los resultados. Las bandejas oscuras, opacas, antiadherentes o de vidrio pueden requerir tiempos de horneado menores. Por el contrario, las bandejas o de acero inoxidable pueden requerir tiempos de horneado más largos. Respete las recomendaciones del fabricante de los utensilios para horno.



## Parrilla deslizable extensible

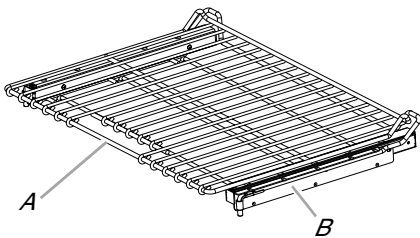
La parrilla deslizable extensible permite un acceso fácil para mover los alimentos en el horno y retirarlos del horno. Puede utilizarse en las posiciones 1 a 6 de la parrilla.

### Posición abierta



A. Parrilla deslizable extensible  
B. Estante deslizable

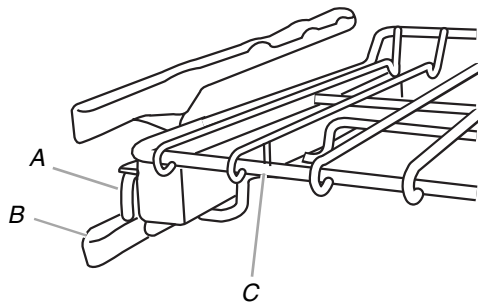
### Posición cerrada y enganchada



A. Parrilla deslizable extensible  
B. Estante deslizable

### Cómo quitar la parrilla deslizable extensible:

1. Deslice la parrilla completamente de modo que se enganche con el estante deslizable.
2. Con las dos manos, levante el borde delantero de la parrilla y empuje el estante deslizable a la pared trasera del horno, de manera que el borde delantero del estante deslizable descansen en las guías de la parrilla. El borde delantero de la parrilla y el estante deslizable deben estar más altos que el borde posterior.



3. Jale la parrilla y el estante deslizable hacia fuera.

### Cómo volver a poner la parrilla deslizable extensible:

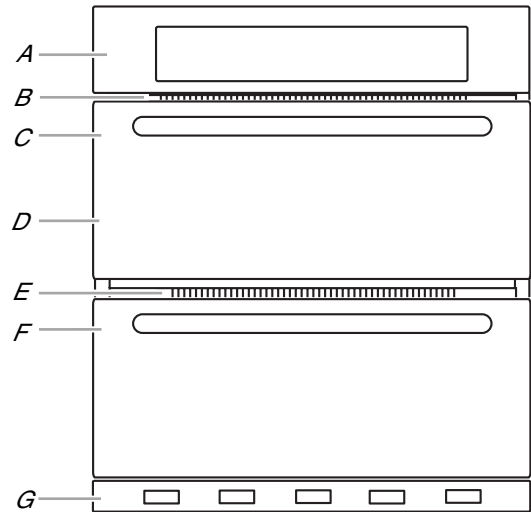
1. Usando ambas manos, sujete el frente de la parrilla enganchada y el estante deslizable. Coloque la parrilla cerrada y el estante deslizable en las guías de la parrilla.
2. Usando ambas manos, levante el borde delantero de la parrilla y el estante deslizable juntos.
3. Empuje la parrilla y el estante deslizable lentamente hacia el fondo del horno, hasta que el borde posterior de la parrilla se detenga en el extremo de la guía de la parrilla.

Para evitar que se dañen los estantes deslizables, no coloque más de 25 lb (11,4 kg) de peso sobre la parrilla.

No lave la parrilla extensible deslizable en la lavavajillas. Puede quitar el lubricante de la parrilla y afectar su capacidad de deslizamiento.

Vea la sección "Limpieza general" para obtener más información.

## Respiraderos del horno



### Horno individual y doble

- A. Panel de control  
B. Respiradero del horno  
C. Horno simple u horno doble superior

### Horno doble

- D. Horno superior  
E. Respiradero del horno  
F. Horno inferior  
G. Respiradero inferior

Los orificios de ventilación del horno no deben estar bloqueados ni cubiertos dado que permiten la entrada de aire fresco al sistema de enfriamiento. Asimismo, el respiradero no debe estar bloqueado ni cubierto dado que permite la entrada de aire fresco al sistema de enfriamiento y la salida de aire caliente del mismo sistema. Bloquear o cubrir los respiraderos dará lugar a una circulación de aire insatisfactoria, que afectará a los resultados de cocción, de limpieza y de enfriamiento.

---

## Pre calentamiento y temperatura del horno

### Pre calentamiento

Cuando comience un ciclo de horneado, horneado por convección o asado por convección, el horno comenzará a pre calentarse después de que se presione el botón Start (Inicio). El horno tardará 12 a 17 minutos aproximadamente para alcanzar 177°C (350°F) con todas las parrillas de horno provistas con el horno dentro de la cavidad. Cuanto mayor sea la temperatura, más tiempo tardará el horno en pre calentarse. El ciclo de pre calentamiento aumenta rápidamente la temperatura del horno. La temperatura real del horno superará la temperatura fijada para compensar la pérdida de calor cuando se abra la puerta del horno para introducir los alimentos. Esto asegura que el horno comience a la temperatura correcta cuando se coloquen los alimentos en el horno. Introduzca el alimento cuando suene el tono de pre calentamiento. No abra la puerta durante el pre calentamiento antes de que suene el tono.

### Pre calentamiento rápido

Puede usarse Rapid Preheat (pre calentamiento rápido) para acortar el tiempo de pre calentamiento. Deberá usarse solamente una parrilla estándar plana para horno durante el pre calentamiento rápido. Las parrillas adicionales deben quitarse antes de utilizar Rapid Preheat (pre calentamiento rápido). El ciclo de pre calentamiento debe completarse antes de colocar los alimentos en el horno. Cuando haya terminado el ciclo de Rapid Preheat (pre calentamiento rápido), el horno pondrá en marcha un ciclo normal de horneado.

**IMPORTANTE:** El pre calentamiento rápido se debe utilizar únicamente para hornear con una sola parrilla.

### Temperatura del horno

Mientras esté en uso, los elementos del horno se encenderán y se apagarán según sea necesario para mantener una temperatura constante, pero es posible que funcione en algún momento ligeramente caliente o frío a causa de este ciclo. Si se abre la puerta del horno mientras se encuentra en uso, saldrá el aire caliente y el horno se enfriará, lo que podría afectar el tiempo y el rendimiento de la cocción. Se recomienda usar la luz del horno para controlar el progreso de cocción.

**NOTA:** En los modelos con convección, el ventilador de convección puede funcionar en el modo de horneado sin convección para mejorar el rendimiento del horno.

Antes de hornear o asar, coloque las parrillas según la sección "Posición de las parrillas y los utensilios para hornear". Al asar, no es necesario esperar a que termine el ciclo de pre calentamiento del horno antes de colocar los alimentos, a menos que la receta de cocina lo recomiende.

---

## Horneado y asado

**IMPORTANTE:** El ventilador y el elemento de convección pueden funcionar durante la función de horneado para mejorar el rendimiento y la distribución.

El horno tardará de 12 a 17 minutos aproximadamente para alcanzar 177°C (350°F) con todas las parrillas de horno dentro de la cavidad. El ciclo de pre calentamiento aumenta rápidamente la temperatura del horno. Cuanto mayor sea la temperatura, más tiempo tardará el horno en pre calentarse. Los factores que pueden afectar a los tiempos de pre calentamiento son la temperatura ambiente, la temperatura del horno y el número de parrillas. Para reducir el tiempo de pre calentamiento, pueden sacarse las parrillas del horno que no se usen antes de pre calentarlo. La temperatura real del horno superará la temperatura fijada para compensar la pérdida de calor cuando se abra la puerta del horno para introducir los alimentos. Esto asegura que el horno tendrá la temperatura adecuada al introducir los alimentos. Introduzca el alimento cuando suene el tono de pre calentamiento. No abra la puerta durante el pre calentamiento antes de que suene el tono.

Durante el horneado y el asado, los elementos de horneado y asado a la parrilla se encienden y se apagan en intervalos para mantener la temperatura del horno.

Dependiendo del modelo, si se abre la puerta del horno durante el horneado o el asado, los elementos de calor (de horneado y de asado) se apagarán unos 30 segundos después de la apertura de la puerta. Se volverán a encender aproximadamente 30 segundos después de que la puerta se cierre.

### Frozen Bake™ (Horneado de congelados)

La tecnología Frozen Bake™ ajusta automáticamente el tiempo de horneado fijado por el fabricante mediante la combinación de pre calentamiento y horneado con el fin de ofrecer excelentes resultados con alimentos congelados sin necesidad de espera. Hay muchas opciones de alimentos programados. Cuando se utilice la tecnología Frozen Bake™, es importante seguir todas las instrucciones del fabricante respecto a la ventilación, la cobertura, la agitación o la colocación en una hoja de hornear para asegurar un resultado óptimo. Al cocinar alimentos congelados, solo se deben cocinar los que contengan instrucciones para cocinarlos en un horno convencional. Coloque el plato en el centro de la parrilla y seleccione una de las posiciones de parrilla recomendadas para horneado de congelados en la sección "Colocación de rejillas y utensilios para hornear" y hornee los paquetes o bandejas de uno en uno. Utilice la temperatura y el tiempo de horneado máximo recomendados en el paquete.

Un sonido le indicará que debe comprobar si los alimentos están hechos antes de que se complete el tiempo de cocción y nuevamente al finalizar el tiempo de cocción. La pantalla le indicará que agregue tiempo de cocción o que finalice el ciclo.

## Asado a la parrilla

Para asar a la parrilla no se necesita el precalentamiento, a menos que lo indique la receta. Coloque el alimento sobre la rejilla en una bandeja para asar y sitúela en el centro de la parrilla del horno. Cierre la puerta para asegurar la temperatura adecuada para asar.

**NOTA:** Es normal que haya olores y humo cuando el horno se use las primeras veces o si tiene mucha suciedad.

Para obtener un control más preciso al cocinar, cambie la temperatura mientras esté asando. Cuanto más bajo sea el ajuste de asar a la parrilla, más lenta será la cocción. Los cortes más gruesos y las piezas de carne, pescado y aves con forma irregular se pueden cocinar mejor con ajustes para asar a la parrilla más bajos. Coloque el alimento en el horno superior o inferior. Consulte la sección “Posición de las parrillas y los utensilios para hornear” para obtener más información.

Con los ajustes más bajos, el elemento para asar a la parrilla se encenderá y se apagará con el fin de mantener la temperatura adecuada.

- Para obtener resultados óptimos, utilice un recipiente para asar y una rejilla. Se han diseñado para drenar los jugos y evitar salpicaduras y humo.

Si desea comprar un recipiente para asar, puede realizar un pedido. Para obtener más información, consulte la sección “Accesorios”.

## Sonda de temperatura

La sonda para temperatura mide con exactitud la temperatura interna de carnes, aves y guisados con líquido y se debe usar para determinar el punto de cocción de la carne y el pollo. La sonda para temperatura solo se debe usar con los modos Bake, Convection Bake o Convection Roast.

Siempre desenchufe y retire la sonda del horno cuando retire los alimentos.

### Forma de uso:

Antes de usar, inserte la sonda en el alimento. Para las carnes, el extremo de la sonda se debe ubicar en el centro de la parte con más espesor de la carne y no dentro de grasa ni tocando un hueso. Coloque los alimentos dentro del horno y conecte la sonda de temperatura en el conector. Mantenga la sonda tan alejada de la fuente de calor como sea posible. Cierre la puerta del horno.

**NOTA:** La sonda para temperatura se debe insertar en el alimento antes de seleccionar el modo.

- Utilice la función de cocción asistida para obtener orientación e instrucciones paso a paso sobre cómo insertar la sonda y seleccionar las temperaturas internas deseadas de los alimentos.
- Conecte la sonda en el puerto del horno o seleccione el icono de la sonda en el menú de herramientas. Ambos aparecerán en un mensaje emergente que permite que el usuario seleccione el modo de cocción y todas las opciones. Coloque los alimentos dentro del horno y conecte la sonda de temperatura en el conector. Mantenga la sonda tan alejada de la fuente de calor como sea posible. Cierre la puerta del horno.

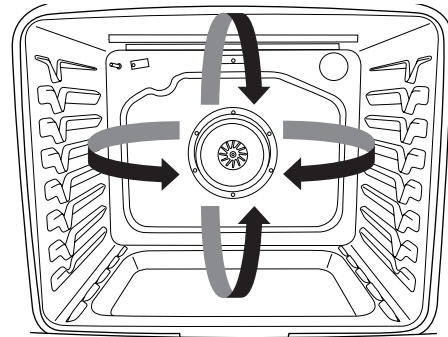
## Cocción por convección

En un horno por convección, el aire caliente que hace circular el ventilador distribuye el calor continuamente y con más uniformidad que el movimiento natural del aire en un horno térmico estándar. Este movimiento de aire caliente ayuda a mantener una temperatura uniforme en todo el horno, cocina los alimentos más uniformemente y deja las superficies crujientes a la vez que atrapa la humedad y hace que los panes salgan con cortezas más crujientes.

Durante la cocción por convección, los elementos de horneado, asado a la parrilla y convección (solo para convección verdadera) se encienden y apagan a intervalos para mantener la temperatura del horno, mientras el ventilador hace circular aire caliente.

Si se abre la puerta del horno durante la cocción por convección, el ventilador se apagará de inmediato. Se encenderá nuevamente cuando se cierre la puerta del horno.

**NOTA:** La puerta del horno debe estar cerrada para asar a la parrilla por convección.



Coloque las parrillas siguiendo las instrucciones de la sección “Colocación de las parrillas y los utensilios para hornear” antes de comenzar la cocción por convección.

Con la cocción por convección, la mayoría de los alimentos se pueden cocinar a una temperatura más baja o durante menos tiempo. Estos ajustes se pueden realizar tomando como referencia la tabla siguiente.

Ajuste	Directrices
<b>Horneado Por Convección</b>	Reduzca 15°C (25°F) la temperatura normal para hornear.
<b>Asado Por Convección</b>	Use la temperatura normal de la receta. El tiempo de cocción puede reducirse del 15 al 30% con Convection Roast (asado por convección) de modo que se debe comprobar el alimento antes para ver si está listo.
<b>Asado A La Parrilla Por Convección</b>	Use la temperatura normal de la receta. El tiempo de cocción puede reducirse, de modo que deberá revisarse el alimento antes para ver si está listo.

### Conversión de tiempo/temperatura

Las temperaturas y los tiempos de cocción por convección son diferentes a los de la cocción normal. La función de conversión de tiempo/temperatura permite convertir el tiempo y la temperatura de un horneado o asado térmico estándar a un tiempo y temperatura de cocción perfectos para la cocción por convección. El tiempo y la temperatura mostrados se convertirán a los valores de convección.

# CUIDADO DEL HORNO

## Ciclo de autolimpieza

### **ADVERTENCIA**



#### **Peligro de Quemadura**

**No toque el horno durante el ciclo de autolimpieza.**

**Mantenga a los niños lejos del horno durante el ciclo de autolimpieza.**

**No seguir estas instrucciones puede ocasionar quemaduras.**

**IMPORTANTE:** La salud de algunos pájaros es sumamente sensible a los gases emanados durante el ciclo de autolimpieza. La exposición a los gases puede ocasionar la muerte de ciertos pájaros. Traslade siempre los pájaros a otro cuarto cerrado y bien ventilado.

Ponga a funcionar la autolimpieza del horno antes de que se impregne de suciedad. La suciedad intensa dará como resultado una limpieza más larga y más humo.

Mantenga la cocina bien ventilada durante el ciclo de autolimpieza; esto ayudará a que haya menos calor, olores y humo.

No bloquee los orificios de ventilación del horno durante el ciclo de autolimpieza. El aire debe moverse con libertad. Consulte la sección "Respiraderos del horno".

No limpie, frote, dañe ni mueva la junta de la puerta del horno. La junta de la puerta es esencial para que quede bien sellada.

#### **Prepare el horno:**

- Retire la bandeja para asar, la rejilla, los utensilios de cocina, los utensilios para hornear y, en algunos modelos, la sonda de temperatura del horno.
- Retire las parrillas del horno para mantenerlas brillantes y fáciles de deslizar. Consulte la sección "Limpieza general" para obtener más información.
- Quite cualquier papel del horno, ya que se puede quemar o derretir, lo que dañará al horno.
- Limpie a mano el borde interior de la puerta y la superficie de 1 1/2" (3,8 cm) alrededor del marco de la cavidad interna del horno, con cuidado de no mover ni doblar la junta. Esta zona no se calienta lo suficiente durante la autolimpieza como para quitar la suciedad. No deje que entre agua, limpiador, etc. en las ranuras del marco de la puerta. Use un paño húmedo para limpiar esta zona.
- Limpie cualquier suciedad que esté suelta para reducir el humo y evitar daños. A altas temperaturas, los alimentos reaccionan con la porcelana y se pueden producir manchas, marcas, picaduras o manchas blancas decoloradas. Esto es normal y no afecta al resultado de la cocción.

#### **Funcionamiento del ciclo**

**IMPORTANTE:** Si la porcelana se calienta o se enfría sobre el acero en el horno, se puede producir cambio de color, pérdida de brillo, pequeñas fisuras y sonidos de estallido.

El ciclo de autolimpieza usa temperaturas muy altas que queman la suciedad, convirtiéndola en ceniza.

Los tiempos de limpieza recomendados son 3 horas para suciedad ligera, 4 horas para suciedad media y 5 horas para suciedad intensa.

Una vez que se haya enfriado el horno por completo, quite las cenizas con un paño húmedo. Para evitar la rotura del vidrio, no le aplique un paño húmedo y frío al vidrio interior de la puerta antes de que se haya enfriado por completo.

Las luces de los hornos no funcionan durante el ciclo de autolimpieza.

**NOTA:** Cada horno tiene un motor de ventilador enfriador de 2 velocidades. Durante el ciclo de autolimpieza, los ventiladores funcionan a máxima velocidad para aumentar el flujo de aire y eliminar mejor el aire caliente a través de los respiraderos de los hornos. Es posible que se observe aumento del ruido durante y después del ciclo de autolimpieza hasta que el horno se enfríe.

Antes de la autolimpieza, asegúrese de que la puerta esté completamente cerrada; de lo contrario no quedará bloqueada y no comenzará el ciclo de autolimpieza. Si el horno está bloqueado, no se pueden abrir las puertas del mismo. Para evitar daños a las puertas, no las fuerce para abrirlas cuando el horno esté bloqueado.

1. Toque la tecla Herramientas.
2. Seleccione el icono de autolimpieza.  
(En los modelos con horno doble) Seleccione UPPER CAVITY (la cavidad superior) o LOWER CAVITY (la inferior).
3. Seleccione el tipo de autolimpieza:
  - **Vapor:** 1 hora: Limpie las salpicaduras leves después de cada día con calor inferior y 1 1/4 tazas (295,7 mL) de agua.
  - **Alta temperatura:** 4 horas: ciclo de 3 horas + 1 hora enfriamiento.
  - **Alta temperatura:** 5 horas: ciclo de 4 horas + 1 hora enfriamiento.
  - **Alta temperatura:** 6 horas: ciclo de 5 horas + 1 hora enfriamiento.
4. Siga las indicaciones de la pantalla del horno para prepararlo.
5. Seleccione START (iniciar) para empezar el proceso de limpieza.

#### **O BIEN**

Seleccione DELAY (retraso) para ajustar un ciclo de autolimpieza retrasado. Consulte la sección "Para retrasar el inicio del ciclo de autolimpieza".

Las puertas de los hornos se bloquearán automáticamente.

**NOTA:** Después de iniciar el ciclo de autolimpieza, el bloqueo automático de las puertas puede tardar un momento.

Cuando haya terminado el ciclo de autolimpieza y el horno se enfríe, las puertas de los hornos se desbloquearán.

6. Una vez que se haya enfriado el horno por completo, quite las cenizas con un paño húmedo.

#### **Para iniciar el retraso del ciclo de autolimpieza:**

Siga los pasos del 1 al 4 de "Para iniciar el ciclo de autolimpieza", a continuación:

1. Seleccione DELAY (retraso).
2. Seleccione el tiempo de inicio del ciclo de autolimpieza mediante el desplazamiento de izquierda a derecha.
3. Seleccione START DELAY (iniciar retraso).  
Las puertas de los hornos se bloquearán automáticamente después de la cuenta regresiva del inicio diferido.  
Cuando se haya terminado el ciclo de autolimpieza y el horno se enfríe, las puertas de los hornos se desbloquearán.
4. Cuando el horno esté completamente frío, retire las cenizas con un paño húmedo.



## Para detener la autolimpieza en cualquier momento:

Toque Oven Cancel keypad (cancelar horno) en los modelos con un horno, Upper/Lower keypad (superior/inferior) en los modelos con dos hornos. Si la temperatura es demasiado alta, las puertas de los hornos permanecerán bloqueadas. No se desbloquearán hasta que se enfríen los hornos.

## Limpieza con vapor

La función Steam Clean (limpieza con vapor) está pensada para la limpieza ligera de la base de la cavidad del horno en los modelos con horneado oculto en ambos hornos.

Espere a que el horno se enfríe a temperatura ambiente antes de utilizar la función Steam Clean (limpieza con vapor). Si la cavidad del horno está por encima de 93°C (200°F), la función de limpieza con vapor no se activará hasta que se enfríe.

Saque todas las parrillas y los accesorios de la cavidad del horno.

Para obtener mejores resultados, utilice 1¼ tazas (295,7 mL) de agua destilada o filtrada. No use productos de limpieza para hornos.

La función de limpieza con vapor tarda 1 hora aproximadamente. Se emitirá un sonido al final del ciclo.

**IMPORTANTE:** Dado que el agua de la base del horno estará caliente, no abra el horno durante el ciclo de limpieza con vapor.

Toque OVEN CANCEL (cancelar horno) en los modelos con un horno o UPPER/LOWER (superior/inferior) en los modelos con dos hornos en cualquier momento si desea finalizar el ciclo. La pantalla regresará a la hora del día.

### Consejos útiles

- Una vez que el ciclo Steam Clean (limpieza con vapor) haya concluido y el horno se haya enfriado por completo, retire el resto de agua de la base del horno con una esponja o un paño.
- Seque la humedad restante del interior de la puerta del horno, los lados interiores de la cavidad del mismo y la superficie de cocción.
- Use un cepillo suave o un raspador de plástico para limpiar el interior del horno. Esto puede ayudar con manchas más rebeldes.
- Se recomienda usar agua destilada o filtrada, ya que el agua del grifo puede dejar depósitos de minerales en la base del horno. Utilice un paño empapado con vinagre o jugo de limón para retirar las incrustaciones minerales que puedan haber quedado después del ciclo de limpieza con vapor.
- Si el horno está muy sucio, utilice el ciclo de autolimpieza. El ciclo de limpieza con vapor puede utilizarse inicialmente para eliminar la mayoría de residuos y conseguir después una autolimpieza más eficaz.

### Para realizar la limpieza con vapor:

1. Abra la puerta del horno seleccionado y retire todas las parrillas y accesorios de la cavidad del horno.
2. Vierta 1¼ tazas (295,7 mL) de agua destilada o filtrada en la base del horno. A continuación cierre la puerta del horno.
3. Toque la tecla Herramientas.  
(En los modelos con horno doble) Seleccione UPPER CAVITY (la cavidad superior) o LOWER CAVITY (la inferior).
4. Seleccione STEAM CLEAN (limpieza con vapor).
5. Seleccione START (iniciar).
6. Después de 1 hora, aproximadamente, sonará una señal para indicar que el ciclo ha terminado. Toque Oven Cancel keypad (cancelar horno) en los modelos con un horno o Upper/Lower keypad (superior/inferior) en los modelos con dos hornos para borrar la pantalla.
7. Cuando el horno se haya enfriado por completo, retire el agua sobrante con una esponja o un paño y limpie el interior del horno. Si es necesario, utilice una esponja de cobre que no raye para eliminar la suciedad rebelde.

## Limpieza general

**IMPORTANTE:** Antes de la limpieza, asegúrese de que todos los controles estén apagados y que el horno esté frío. Siga siempre las instrucciones de las etiquetas de los productos de limpieza. Para obtener información adicional, puede visitar la sección de preguntas frecuentes de nuestro sitio web, en [www.whirlpool.com](http://www.whirlpool.com). En Canadá, consulte la sección de Servicio al cliente en [www.whirlpool.ca](http://www.whirlpool.ca).

Se sugiere usar primero agua, jabón y un paño o una esponja suave, a menos que se indique otra cosa.

### SUPERFICIES EXTERIORES DE ESMALTE DE PORCELANA (en algunos modelos)

Las salpicaduras de alimentos que contienen ácidos, como vinagre y tomate, deben limpiarse tan pronto como se enfríe el horno. Esas salpicaduras pueden afectar al acabado.

#### Método de limpieza:

- Limpiavidrios, limpiador líquido suave o estropajo no abrasivo: Limpie con cuidado alrededor de la placa con el número de modelo/serie/valores nominales porque al fregarlos se pueden borrar los números.
- Limpiador affresh® para cocina y electrodomésticos, referencia W10355010 (no se incluye): Para obtener más información, consulte la sección "Accesorios".

### ACERO INOXIDABLE (en algunos modelos)

**NOTA:** Para evitar daños a las superficies de acero inoxidable, no use estropajos que contenga jabón, productos de limpieza abrasivos, estropajos de lana de acero, paños ásperos o toallas de papel abrasivas. Podrían dañarse las superficies de acero inoxidable, aunque solo se usen una vez o de manera limitada.

#### Método de limpieza:

Frote en la dirección de la veta para evitar daños.

- Limpiador para acero inoxidable affresh®, referencia W10355016: Para obtener más información, consulte la sección "Accesorios".

### PINTURA METÁLICA (en algunos modelos)

No use productos de limpieza abrasivos, limpiadores con blanqueador, removedores de óxido, amoníaco ni hidróxido de sodio (lejía), ya que se pueden manchar las superficies pintadas.

### PANEL DE CONTROL Y EXTERIOR DE LA PUERTA DEL HORNO

Para evitar daños, no use productos de limpieza abrasivos, estropajos de lana de acero, paños ásperos ni toallas de papel abrasivas.

#### Método de limpieza:

- Limpiavidrios y un paño o una esponja suave: Aplique limpiavidrios en una esponja o un paño suave, no directamente sobre el panel.
- Limpiador affresh® para cocina y electrodomésticos, referencia W10355010 (no se incluye): Para obtener más información, consulte la sección "Accesorios".

### PARRILLAS DEL HORNO

#### Método de limpieza:

- Estropajo de lana de acero.
- Para las parrillas que se han decolorado y que no se deslizan con facilidad, la aplicación de una capa delgada de aceite vegetal a las guías de la parrilla hará que éstas se deslicen con más facilidad.

## CAVIDAD ABIERTA E INTERIOR DE LA PUERTA DEL HORNO

No use productos de limpieza para hornos.

Las salpicaduras de alimentos deben limpiarse cuando el horno se enfríe. A altas temperaturas, la reacción química de los alimentos con la porcelana puede dar lugar a manchas, corrosión, picaduras o puntos blancos decolorados.

### Método de limpieza:

- Ciclo de autolimpieza:  
Consulte primero la sección "Ciclo de autolimpieza".
- Para conseguir un resultado óptimo con la limpieza, elimine la suciedad acumulada con una esponja húmeda antes de realizar el ciclo.

## Luces del horno

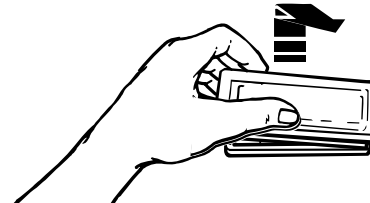
Las luces de los hornos son focos halógenos de 120 voltios, 40 vatios como máximo. Se encenderán cuando se abran las puertas de los hornos. En los modelos de doble horno, las luces solo se encenderán en el horno que tenga la puerta abierta. Las luces de los hornos no funcionan durante el ciclo de autolimpieza.

Cuando la puerta se encuentre cerrada, toque el teclado de la luz del horno adecuado para encender la luz.

### Para volver a colocarlo:

Antes de reemplazar los focos, cerciórese de que el horno esté apagado y frío.

1. Desconecte el suministro eléctrico.
2. Quite la cubierta de vidrio de la luz tomando el borde delantero y tirando en el sentido contrario del horno.



3. Quite el foco del casquillo.
4. Vuelva a colocar el foco, utilizando un pañuelo de papel o guantes de algodón para manipularlo. Para evitar dañar o disminuir la vida útil del nuevo foco, no lo toque con los dedos descubiertos.
5. Vuelva a colocar la cubierta del foco a presión en la pared.
6. Reconecte el suministro eléctrico.

**IMPORTANTE:** No use focos de más de 40 vatios.

## SOLUCIÓN DE PROBLEMAS

Pruebe primero las soluciones que aquí se recomiendan. Si necesita asistencia adicional o más recomendaciones que puedan ayudarle a evitar una llamada de servicio técnico, consulte la página de la garantía de este manual y escanee el código con su dispositivo móvil o visite [http://www.whirlpool.com/product\\_help](http://www.whirlpool.com/product_help). En Canadá, visite <http://www.whirlpool.ca>.

Contáctenos por correo con sus preguntas o dudas a la dirección que aparece a continuación:

En Estados Unidos:

Whirlpool Brand Home Appliances  
Customer eXperience Center  
553 Benson Road  
Benton Harbor, MI 49022-2692

En Canadá:

Whirlpool Brand Home Appliances  
Customer eXperience Centre  
200 - 6750 Century Ave.  
Mississauga, Ontario L5N 0B7

Incluya en su correspondencia un número de teléfono en el que se le pueda localizar durante el día.

Problema	Posibles causas y/o soluciones
Nada funciona	<b>El cableado del horno es incorrecto:</b> Consulte las Instrucciones de instalación. <b>Se ha fundido un fusible de la casa o se ha disparado un cortacircuitos.</b> Sustituya el fusible o rearme el cortacircuitos. Si el problema continúa, llame a un electricista.
El horno no funciona	<b>Control Lock (bloqueo de controles) está activado:</b> En la pantalla aparece "Control Lock". Desplace hacia arriba para desbloquear. <b>El modo Sabbath está activado:</b> Consulte la sección "Modo Sabbath". <b>En los modelos con dos hornos, uno está realizando autolimpieza:</b> Si un horno está haciendo autolimpieza, el otro horno no se puede ajustar ni encender.
La temperatura del horno es demasiado alta o demasiado baja	<b>La temperatura del horno debe regularse:</b> Consulte la sección "Calibración de la temperatura".



Problema	Posibles causas y/o soluciones
<b>La pantalla muestra mensajes</b>	<p><b>Corte de corriente:</b> En algunos modelos, reinicie el reloj si es necesario. Consulte “Preferencias” en la sección “Herramientas”.</p> <p><b>Código de error (la pantalla muestra una letra seguida de un número):</b> Presione CANCEL (cancelar) para borrar la pantalla. Si vuelve a aparecer, solicite servicio técnico. Consulte la sección “Garantía” para obtener la información de contacto.</p> <p>Demo Mode (el producto está en modo de demostración) Consulte la sección “Tools” (Herramientas) para salir del modo de demostración.</p>
<b>El ciclo de limpieza no eliminó todas las salpicaduras</b>	<p><b>Pasan demasiados ciclos de cocción entre los ciclos de limpieza o hay demasiadas salpicaduras en las paredes y las puertas del horno:</b> Ponga a funcionar ciclos de limpieza adicionales. Para las manchas rebeldes se puede utilizar el limpiador de cocina y electrodomésticos affresh®. Consulte las secciones “Accesorios” y “Ciclo de autolimpieza” para obtener más información.</p>
<b>Surge aire caliente del respiradero del horno</b>	<p>Es normal que surja aire caliente del respiradero del horno. Durante el ciclo de autolimpieza aumenta el flujo de aire.</p> <p>El ventilador de refrigeración puede funcionar durante el ciclo del horno y después de que este finalice, provocando la salida de aire caliente por el respiradero del horno.</p>
<b>Los ventiladores de convección funcionan durante la función Bake (horneado)</b>	<p>Es normal que el ventilador y el elemento de convección funcionen durante el modo Bake (horneado) para mejorar el rendimiento y la distribución del calor.</p>
<b>Ciclos de precalentamiento prolongados</b>	<p>No todos los ciclos requieren precalentamiento. Consulte las recomendaciones sobre precalentamiento en las instrucciones sobre el ciclo. La mayoría de los ciclos precalientan a 177°C (350°F) en 12 a 17 minutos. Las temperaturas más elevadas requieren más tiempo. Si se retiran del horno las parrillas que no se utilicen, el precalentamiento puede tardar menos tiempo.</p>
<b>No funciona el ciclo de autolimpieza</b>	<p><b>La puerta del horno está abierta:</b> Cierre bien la puerta del horno.</p> <p><b>No se ha ingresado la función:</b> Consulte la sección “Ciclo de autolimpieza”.</p> <p><b>Se ha seleccionado un ciclo de autolimpieza programada:</b> Consulte la sección “Ciclo de autolimpieza”.</p> <p><b>En los modelos con dos hornos, uno está realizando autolimpieza:</b> Si un horno está haciendo autolimpieza, el otro no se puede ajustar para autolimpieza.</p>
<b>Los resultados de cocción del horno no son los que se esperaban</b>	<p><b>La temperatura fijada era incorrecta:</b> Vuelva a verificar la receta en un libro de cocina confiable.</p> <p><b>La temperatura del horno debe regularse:</b> Consulte “Calibración de la temperatura” en la sección “Otros modos”.</p> <p><b>No se ha precalentado el horno:</b> Consulte la sección “Cómo hornear y asar”.</p> <p><b>Se han colocado las parrillas de modo inadecuado:</b> Consulte la sección “Colocación de las parrillas y los utensilios para hornear”.</p> <p><b>No hay suficiente circulación de aire alrededor de los utensilios para hornear:</b> Consulte la sección “Colocación de las parrillas y los utensilios para hornear”.</p> <p><b>Se ha distribuido el batido de manera despareja en el recipiente:</b> Verifique que el batido esté nivelado en la bandeja.</p> <p><b>Los alimentos tienen un dorado más oscuro causado por un utensilio de horneado de color mate u oscuro:</b> Baje la temperatura del horno 15°C (25°F) o sitúe la parrilla en una posición del horno más elevada.</p> <p><b>Los alimentos tienen un dorado más claro causado por un utensilio de cocción lustroso o de color claro:</b> Mueva la parrilla a una posición más baja en el horno.</p> <p><b>Se ha usado un tiempo de cocción incorrecto:</b> Ajuste el tiempo de cocción.</p> <p><b>No se ha cerrado la puerta del horno:</b> Asegúrese de que el utensilio para hornear no impida que se cierre la puerta.</p> <p><b>Se ha abierto la puerta del horno durante la cocción:</b> Al abrir el horno, sale el calor y esto puede dar como resultado tiempos de cocción más largos.</p> <p><b>La parrilla está demasiado cerca del quemador para hornear, con lo que los artículos horneados quedan demasiado dorados en la parte inferior:</b> Sitúe la parrilla en una posición del horno más elevada.</p> <p><b>Las cortezas de las tartas se doran con demasiada rapidez:</b> Use papel de aluminio para cubrir el borde de la corteza y/o reduzca la temperatura de horneado.</p>

# ASISTENCIA O SERVICIO TÉCNICO

Antes de solicitar ayuda o servicio técnico, por favor consulte la sección "Solución de problemas". Esto le podría ahorrar el costo de una visita de servicio técnico. Si considera que aún necesita ayuda, siga las instrucciones que aparecen a continuación.

Cuando llame, tenga a mano la fecha de compra y el número completo del modelo y de serie del aparato. Esta información nos ayudará a atender mejor a su pedido.

## Si necesita piezas de repuesto

Si necesita pedir piezas de repuesto, recomendamos que use únicamente piezas FSP®. Estas piezas encajarán y funcionarán bien ya que están elaboradas con la misma precisión empleada en la fabricación de cada electrodoméstico nuevo de WHIRLPOOL®.

Para encontrar piezas de repuesto FSP® en su localidad, llámenos o llame al centro de servicio oficial de Whirlpool más cercano.

## En Estados Unidos

Si tiene consultas o problemas, llame a Whirlpool Corporation Connected Appliances al número **1-866-333-4591**.

### Nuestros consultores ofrecen ayuda para:

- Programación de servicios técnicos. Los técnicos de servicio designados de electrodomésticos Whirlpool están capacitados para cumplir con la garantía del producto y proveer servicio una vez que la garantía caduque en cualquier lugar de los Estados Unidos.
- Características y especificaciones de nuestra línea completa de electrodomésticos.
- Referencias a distribuidores locales de electrodomésticos Whirlpool.
- Información sobre la instalación.
- Procedimientos de uso y mantenimiento.
- Venta de accesorios y piezas para reparación.
- Asistencia al cliente especializada (habla hispana, deficiencias de audición, visión limitada, etc.).

### Para obtener más asistencia:

Si necesita asistencia adicional, puede escribir a Whirlpool con sus preguntas o dudas a:

Whirlpool  
Customer eXperience Center  
553 Benson Road  
Benton Harbor, MI 49022-2692

Incluya en su correspondencia un número de teléfono en el que se le pueda localizar durante el día.

## Accesorios

### Toallitas affresh® para limpiar acero inoxidable

(modelos de acero inoxidable) Referencia para pedido W10355049

### Limpiador affresh® para acero inoxidable

(modelos de acero inoxidable)  
Referencia para pedido W10355016

### Limpiador affresh® para cocina y electrodomésticos

Referencia para pedido W10355010

### Piedra de arcilla para hornear

Referencia para pedido 4378577

### Kit de guarnición lateral doble empotrada

Referencia para pedido W10536161

### Parrilla para asar y bandeja para asar a la parrilla de alta calidad

Referencia para pedido W10123240

### Bandeja y rejilla para asar de porcelana

Referencia para pedido 4396923

### Parrilla plana estándar para horno

Referencia para pedido W10317430

### Kit de guarnición lateral simple empotrada

Referencia para pedido W10536160

## En Canadá

Si tiene consultas o problemas, llame a Whirlpool Corporation Connected Appliances al número **1-866-333-4591**.

### Nuestros consultores ofrecen ayuda para:

- Programación de servicios técnicos. Los técnicos de servicio designados para electrodomésticos Whirlpool están capacitados para cumplir con la garantía del producto y proveer servicio una vez que la garantía caduque en cualquier lugar de Canadá.
- Características y especificaciones de nuestra línea completa de electrodomésticos.
- Referencias a distribuidores locales de electrodomésticos Whirlpool.
- Procedimientos de uso y mantenimiento.
- Venta de accesorios y piezas para reparación.

### Para obtener más asistencia:

Si necesita asistencia adicional, puede escribir a Whirlpool con sus preguntas o dudas a:

Customer eXperience Centre  
Whirlpool Canada LP  
200 - 6750 Century Ave.  
Mississauga, Ontario L5N 0B7

Incluya en su correspondencia un número de teléfono en el que se le pueda localizar durante el día.

# GARANTÍA LIMITADA DE LOS ELECTRODOMÉSTICOS PRINCIPALES DE WHIRLPOOL®

ADJUNTE SU RECIBO AQUÍ. SE REQUIERE LA PRUEBA DE COMPRA PARA OBTENER SERVICIO BAJO LA GARANTÍA.

Tenga a mano la siguiente información cuando llame al Centro para la experiencia del cliente:

- Nombre, dirección y número de teléfono
- Número de modelo y de serie
- Una descripción clara y detallada del problema
- Prueba de compra incluido el nombre y la dirección del distribuidor o vendedor

## SI NECESITA SERVICIO TÉCNICO:

1. Antes de contactarnos para obtener servicio, determine si el producto requiere reparación. Algunas consultas pueden atenderse sin servicio técnico. Tómese unos minutos para revisar la sección de Solución de problemas o Problemas y soluciones del Manual de uso y cuidado, escanee el código QR que se encuentra a la derecha para acceder a los recursos adicionales o visite [www.whirlpool.com/product\\_help](http://www.whirlpool.com/product_help).
2. Todos los servicios bajo la garantía los brindan exclusivamente Prestadores autorizados de servicio de Whirlpool. Para EE.UU. y Canadá, dirija todas las solicitudes de servicio bajo la garantía a:

**Centro para la experiencia del cliente de Whirlpool**

**En EE.UU., llame al 1-800-253-1301. En Canadá, llame al 1-800-807-6777.**



[www.whirlpool.com/product\\_help](http://www.whirlpool.com/product_help)

Si usted se encuentra fuera de los cincuenta Estados Unidos o Canadá, póngase en contacto con su distribuidor autorizado de Whirlpool para determinar si corresponde otra garantía.

## GARANTÍA LIMITADA DE UN AÑO

### LO QUE ESTÁ CUBIERTO

Durante un año a partir de la fecha de compra, siempre y cuando este electrodoméstico principal haya sido instalado, mantenido y operado según las instrucciones adjuntas o provistas con el producto, Whirlpool Corporation o Whirlpool Canada LP (en lo sucesivo denominado "Whirlpool") se hará cargo del costo de las piezas especificadas de fábrica y del trabajo de reparación para corregir defectos en los materiales o en la mano de obra existentes en el momento de la compra de este electrodoméstico principal o, a su sola discreción, reemplazará el producto. En el caso de reemplazar el producto, su electrodoméstico estará cubierto por la garantía por el tiempo restante del período de garantía de la unidad original.

SU ÚNICO Y EXCLUSIVO RECURSO SEGÚN LOS TÉRMINOS DE ESTA GARANTÍA LIMITADA SERÁ EL DE REPARAR EL PRODUCTO SEGÚN SE ESTIPULA EN LA PRESENTE. El servicio deberá ser suministrado por una compañía de servicio designada por Whirlpool. Esta garantía limitada es válida solamente en Estados Unidos o en Canadá y se aplica solamente cuando el electrodoméstico principal se use en el país en el que se ha comprado. Esta garantía limitada entrará en vigor a partir de la fecha de la compra del consumidor original. Se requiere una prueba de la fecha de compra original para obtener servicio bajo esta garantía limitada.

### LO QUE NO ESTÁ CUBIERTO

1. Uso comercial, no residencial o familiar múltiple o uso diferente del indicado en las instrucciones del usuario, del operador o de instalación publicadas.
2. Instrucción a domicilio sobre cómo usar el producto.
3. Servicio para corregir el mantenimiento o la instalación incorrecta del producto, la instalación que no esté de acuerdo con los códigos eléctricos o de plomería o corrección de plomería o instalación eléctrica doméstica (por ejemplo, instalación eléctrica, fusibles o mangueras de entrada de agua del hogar).
4. Piezas de consumo (por ejemplo, focos de luz, baterías, filtros de agua o de aire, soluciones de conservación, etc.).
5. Defectos o daños causados por el uso de piezas o accesorios no legítimos de Whirlpool.
6. Conversión del producto de gas natural o gas L.P.
7. Daño causado por accidente, uso indebido, abuso, incendio, inundación, actos fortuitos o el empleo de productos no aprobados por Whirlpool.
8. Reparaciones a piezas o sistemas para corregir el daño o los defectos del producto a causa de reparaciones por servicio no autorizado, alteraciones o modificaciones en el electrodoméstico.
9. Daños estéticos, incluyendo rayaduras, abolladuras, desportilladuras u otro daño al acabado del electrodoméstico a menos que el mismo sea debido a defectos en los materiales o la mano de obra y se le informe a Whirlpool en un lapso de 30 días.
10. Decoloración, herrumbre u oxidación de las superficies producto de entornos corrosivos o cáusticos que incluyen, entre otras cosas, altas concentraciones de sal, humedad elevada o exposición a productos químicos.
11. Pérdida de comida o medicamentos debido a la falla del producto.
12. Recogida o entrega. Este producto está destinado para ser reparado en su hogar.
13. Gastos de viaje o de transporte para prestar servicio en lugares remotos en los cuales no haya disponible un técnico de servicio autorizado por Whirlpool.
14. Remoción o reinstalación de electrodomésticos en lugares inaccesibles o dispositivos empotrados (por ejemplo, adornos, paneles decorativos, pisos, armarios, islas, mostradores, paredes, etc.) que interfieran con el servicio, la remoción o el reemplazo del producto.
15. Servicio técnico o piezas para electrodomésticos con números de serie/modelo originales removidos, alterados o no identificados con facilidad.

**El costo de la reparación o del reemplazo bajo estas circunstancias excluidas correrá por cuenta del cliente.**

### EXCLUSIÓN DE GARANTÍAS IMPLÍCITAS

LAS GARANTÍAS IMPLÍCITAS, INCLUYENDO CUALQUIER GARANTÍA IMPLÍCITA DE COMERCIABILIDAD O GARANTÍA IMPLÍCITA DE CAPACIDAD PARA UN PROPÓSITO PARTICULAR, SERÁN LIMITADAS A UN AÑO O AL PERÍODO MÁS CORTO PERMITIDO POR LEY. Algunos estados y provincias no permiten la limitación de la duración de las garantías implícitas de comerciabilidad o capacidad, de modo que la limitación arriba indicada quizá no le corresponda. Esta garantía le otorga derechos legales específicos y es posible que usted tenga también otros derechos que varían de un estado a otro o de una provincia a otra.

### EXCLUSIÓN DE DECLARACIONES FUERA DE LA GARANTÍA

Whirlpool no hace declaraciones acerca de la calidad, durabilidad o necesidad de servicio técnico o reparación de este electrodoméstico principal aparte de las declaraciones incluidas en esta garantía. Si usted desea una garantía con una duración más prolongada o más completa que la garantía limitada que se incluye con este electrodoméstico principal, deberá dirigirse a Whirlpool o a su distribuidor acerca de la compra de una garantía extendida.

### LIMITACIÓN DE RECURSOS; EXCLUSIÓN DE DAÑOS INCIDENTALES Y CONSECUENTES

SU ÚNICO Y EXCLUSIVO RECURSO SEGÚN LOS TÉRMINOS DE ESTA GARANTÍA LIMITADA SERÁ EL DE REPARAR EL PRODUCTO SEGÚN SE ESTIPULA EN LA PRESENTE. WHIRLPOOL NO SE RESPONSABILIZARÁ POR DAÑOS INCIDENTALES O CONSECUENTES. Algunos estados y provincias no permiten la exclusión o limitación de daños incidentales o consecuentes, de modo que estas limitaciones y exclusiones quizá no le correspondan. Esta garantía le otorga derechos legales específicos y es posible que usted tenga también otros derechos que varían de un estado a otro o de una provincia a otra.

