




Whirlpool® 4.3 Cu. Ft. Single Smart Wall Oven with Air Fry

WOES7027PZ

Available Finishes/Colours

 Woes7027PZ
FingerPrint Resistant
Stainless Steel

Get more done in the kitchen with this multitasking single wall oven with air fry. This smart wall oven offers 8 cooking modes and gets smarter over time with Automatic Feature Updates* to enhance performance. Manage busy mealtimes with convenient features like Frozen Bake™, Keep Warm setting and True Convection cooking, which allows you to cook multiple dishes at once. A 4.5 touchscreen gives you instant access to the settings you use most. *Appliance must be connected. WiFi & App Required. Features subject to change. Details and privacy info at whirlpool.com/connect.



Top Features


Smart Wall Oven

8-in-1 Wall Oven with Air Fry

4.3 Cu. Ft. Oven Capacity

Manuals & Literature:

 [Dimension Guide](#)  [Owner Manual](#)

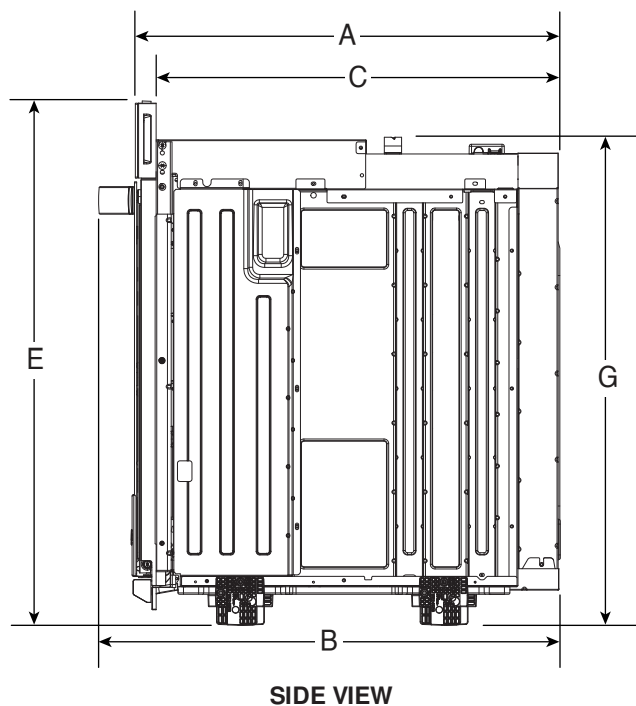
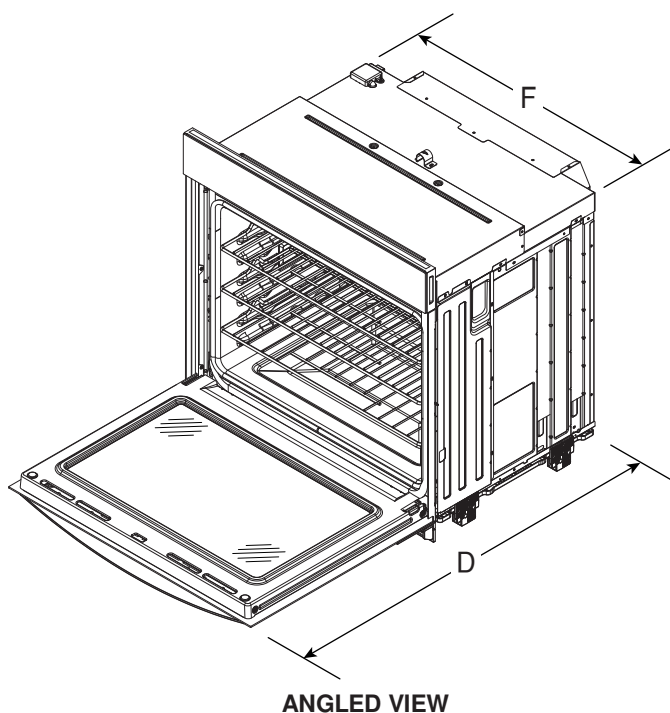
 [Warranty Information](#)

Dimensions		Electrical	
Depth	26.33	Hz	60
Width	26.75		
Height	28.0		
Compatibility			
Connectivity	WiFi; App; Bluetooth; Remote Access; Voice Controlled		
Controls			
Control Type	Electronic		
Specifications			
Country Of Origin	USA		
Optional Accessories	W11406624		
Sabbath Mode	Yes		
Electrical			
Amps	20		
Power Cord Included	No		
Exterior			
Handle Color	Stainless Steel		
Handle Material	Metal		
Features			
Power On Indicator Light	Yes		
Language Conversion	English/French/Spanish		
Configuration and Overview			
Fuel Type	Electric		
Configuration			
Oven Configuration	Single Oven		
Details			
Bake Element Power	2800W		

DIMENSION GUIDE

WHIRLPOOL® ELECTRIC SINGLE WALL OVEN PRODUCT: WOES7027P

APPLIANCE:		27" ELECTRIC SINGLE WALL OVEN	
	Units	in	cm
A	Depth Closed Excluding Handle (Flush Install)	24 ⁷ / ₁₆	62
B	Depth Closed Including Handle	26 ⁵ / ₁₆	66.9
C	Depth to Back of Console (Standard Depth)	23 ¹ / ₁₆	58.6
D	Depth with Door Open 90	46 ¹ / ₈	117.2
E	Maximum Height (Including Console)	29 ¹³ / ₁₆	75.7
E	Minimum Height (Including Console)	28 ¹ / ₁₆	71.2
F	Width	26 ³ / ₄	68
G	Maximum Height (Not Including Console)	27 ³ / ₄	70.4
G	Minimum Height (Not Including Console)	25 ¹⁵ / ₁₆	65.9



IMPORTANT: Dimensional specifications are provided for planning purposes only. Do not make any cutouts based on this information. Refer to the Owner's Manual before selecting cabinetry, verifying electrical/gas connections, making cutouts or beginning installation.

Location Requirements

IMPORTANT: Observe all governing codes and ordinances.

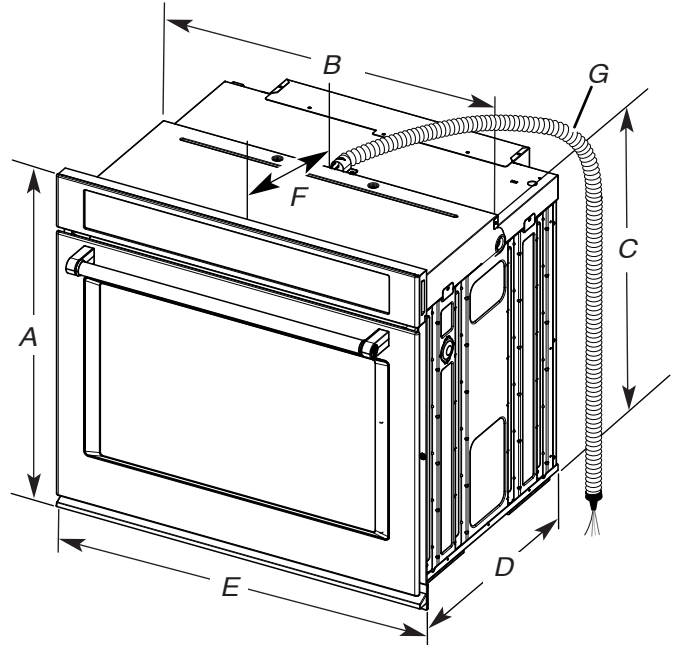
- To eliminate the risk of burns or fire by reaching over heated surface units, cabinet storage space located above the surface units should be avoided. If cabinet storage is to be provided, the risk can be reduced by installing a range hood that projects horizontally a minimum of 5" (12.7 cm) beyond the bottom of the cabinets.
- Cabinet opening dimensions that are shown must be used. Given dimensions provide minimum clearance with oven.
- Recessed installation area must provide complete enclosure around the recessed portion of the oven.
- Grounded electrical supply is required. See "Electrical Requirements" section.
- Electrical supply junction box should be located 3" (7.6 cm) maximum below the support surface when the oven is installed in a wall cabinet. A 1" (2.5 cm) minimum diameter hole should have been drilled in the right rear or left rear corner of the support surface to pass the appliance cable through to the junction box.

NOTE: For undercounter installation, it is recommended that the junction box be located in the adjacent right or left cabinet. If you are installing the junction box on rear wall behind oven, it is recommended that the junction box be recessed and located in the upper center of the cabinet.

- Oven support surface must be solid, level and flush with bottom of cabinet cutout.
- Floor must be able to support a single oven weight of 200 lbs (91 kg) for 27" (68.6 cm) models.

IMPORTANT: To avoid damage to your cabinets, check with your builder or cabinet supplier to make sure that the materials used will not discolor, delaminate or sustain other damage. This oven has been designed in accordance with the requirements of UL and CSA International and complies with the maximum allowable wood cabinet temperatures of 194°F (90°C).

Product Dimensions - Single Ovens

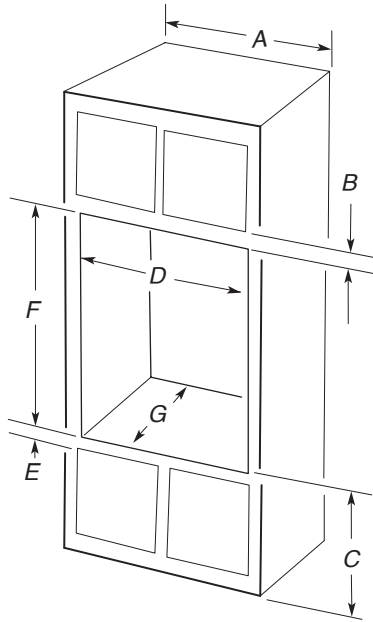


27" (68.6 cm) models

- A. 29" (73.6 cm) maximum overall height
- B. 25⁷/₁₆" (64.6 cm) maximum recessed width
- C. 26" (65.9 cm) recessed height
- D. 23¹/₄" (59.1 cm) maximum recessed depth
- E. 26" (65.9) overall width
- F. 12" (30.5 cm) from back of control panel to start of strain relief
- G. 48" (121.9 cm) flexible conduit length

Cabinet Dimensions - Single Ovens, Standard Installation

Single Ovens Installed in Cabinet



27" (68.6 cm) models

- A. 27" (68.6 cm) minimum cabinet width
- B. 1" (2.5 cm) top of cutout to bottom of upper cabinet door
- C. 32" (81.3 cm) bottom of cutout to floor
- D. 25½" (64.8 cm) minimum cutout width
- E. 1½" (3.8 cm) minimum bottom of cutout to top of cabinet door
- F. 28" (71.2 cm)* recommended cutout height
- G. 24" (60.7 cm) cutout depth

***NOTES:**

- The cutout height can be between 27¼" and 29⅞" (69.2 cm and 74.8 cm) for single ovens.
- Tall shield for installations greater than 28⅞" (72.9 cm).

Cabinet Dimensions - Single Ovens, Flush Installations

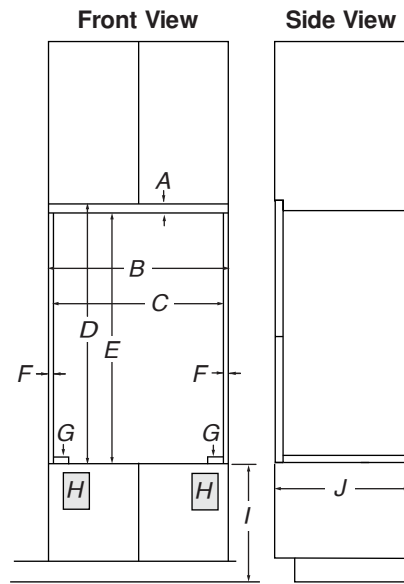
NOTE: This is an alternate option to install your product in the cabinet and obtain a flush look. For standard installation, refer section "Cabinet Dimensions - Single Ovens, Standard Installation."

NOTE: On single and double oven models installed above a warming drawer or for ovens installed using flush installation cabinetry, a detector kit must be installed. See the "Online Ordering" section of your Quick Start Guide for information on ordering.

A 25" (63.5 cm) minimum cutout depth is required.

Top and bottom gaps will be 1/8" (0.3 cm) gap above and below the product. Top and bottom gaps not required for installation. Exposed areas of the cabinet should be finished to match.

Single Ovens Installed in Cabinet

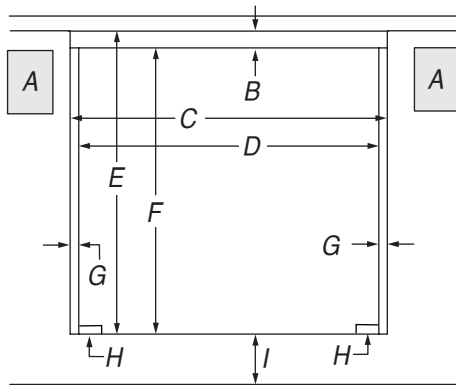


27" (68.6 cm) models

- A. 3/4" (1.9 cm) top cleat*
- B. 27¼" (69.2 cm) minimum width of flush inset cutout
- C. 25⅞" (65.7 cm) minimum width of opening
- D. 29¼" (74.3 cm) minimum height of flush inset cutout
- E. 28½" (72.4 cm) recommended cutout height
- F. 11/16" (1.7 cm) side cleat*
- G. 1/4" (0.6 cm) recommended with foot. 15/16" to 1⅞" (2.2 cm to 2.9 cm) allowable without foot.
- H. Recommended junction box location
- I. 4⅝"-32" (11.7-81.3 cm) bottom of cutout to floor
- J. 25" (63.5 cm) minimum depth of cutout

*Cleats and spacers must be recessed 1⅜" (3.5 cm) from the front of the cabinet.

Single Ovens Undercounter - without cooktop installed above

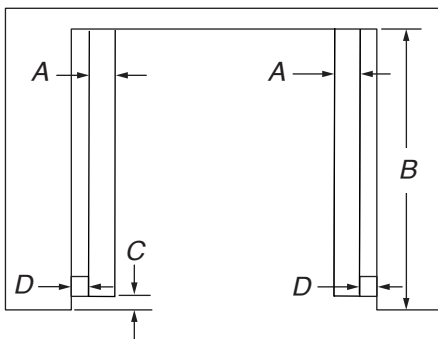


Front View

27" (68.6 cm) models

- A. Recommended junction box location
- B. 3/4" (1.9 cm) top cleat*
- C. 27 1/4" (69.2 cm) minimum width of flush inset cutout
- D. 25 7/8" (65.7 cm) minimum width of opening
- E. 29 1/4" (74.3 cm) minimum height of flush inset cutout
- F. 28 1/8" (72.4 cm) recommended cutout height
- G. 11/16" (1.7 cm) side cleat*
- H. 1/4" (0.6 cm) recommended with foot. 15/16" to 1 1/8" (2.2 cm to 2.9 cm) allowable without foot.
- I. 4 5/8" (11.7 cm) bottom of cutout to floor

*Cleats and spacers must be recessed 1 3/8" (3.5 cm) from the front of the cabinet.



Top View

30" (76.2 cm) models

- A. 2" (5.1 cm) spacer the entire depth of the cutout*
- B. 25" (63.5 cm) depth of cutout
- C. 1 3/8" (3.5 cm) recess from front of cabinet
- D. 11/16" (1.7 cm) side cleat*

*Cleats and spacers must be recessed 1 3/8" (3.5 cm) from the front of the cabinet.

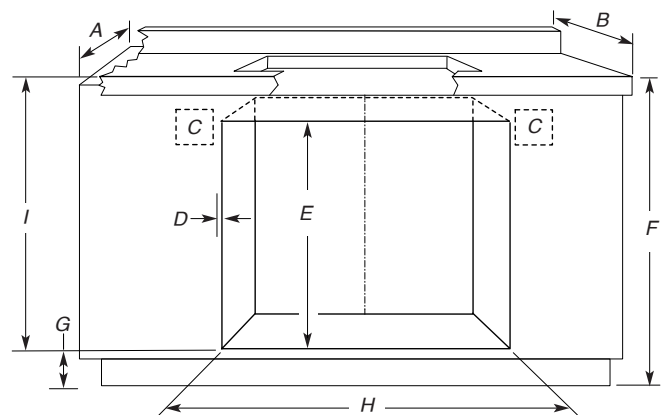
Cutout Dimensions For Ovens Installed Under Cooktop

IMPORTANT: Observe all governing codes and ordinances. Cooktop must be approved for use over an oven. See cooktop Installation Instructions for cutout dimensions. Center the cooktop cutout over oven cutout.

Ovens approved for this type of installation have an approval label located on the top of the oven.

To avoid damage to your cabinets, check with your builder or cabinet supplier to make sure that the materials used will not discolor, delaminate or sustain other damage. This oven has been designed in accordance with UL and CSA International and complies with the maximum allowable wood cabinet temperatures of 194°F (90°C).

Approved Built-In Oven and Electric Coil/Radiant/Induction Cooktop Combinations or without Cooktop Installed above Oven



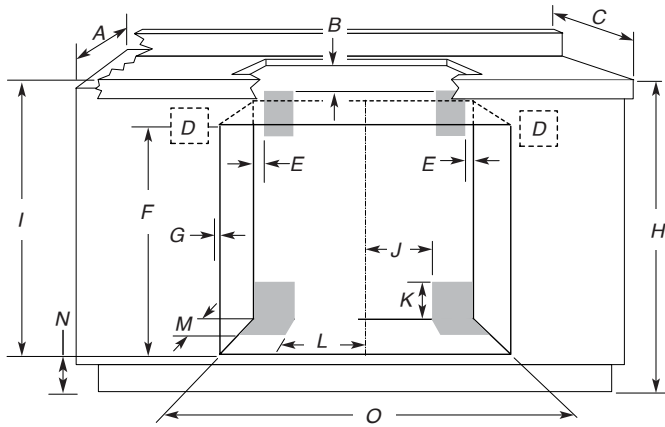
- A. 24" (61 cm) cabinet depth
- B. 25" (63.5 cm) countertop depth
- C. Recommended oven and cooktop junction box locations
- D. Allow 5/8" (1.6 cm) for oven trim to overlap on each side.
- E. 27 3/4" (70.5 cm) minimum cutout height
- F. 36" (91.4 cm) from cabinet base to countertop
- G. 4 5/8" (11.7 cm) maximum from cabinet base with feet installed. If dimension "F" is greater than 36" (91.4 cm), dimension "G" can be increased the same difference for induction combinations.
- H. 25 1/2" (64.8 cm) minimum oven cutout dimension
- I. 31 3/8" (82.2 cm) from top of countertop to bottom of cutout

For the approved model number combinations, refer to the undercounter label located on top of the oven chassis and on the bottom of the cooktop burner box.

NOTE: For undercounter installation, it is recommended that the junction boxes for oven and cooktop be located in the adjacent right or left cabinet. A 1" (2.5 cm) minimum diameter hole should have been drilled in the upper rear right or left corner of the side wall surface to pass the appliance cable through to the junction box.

Approved Built-In Oven and Gas Cooktop Combinations

Electrical Requirements



- A. 24" (61 cm) cabinet depth
- B. 1" (2.5 cm) clearance to bottom of countertop
- C. 25" (63.5 cm) countertop depth
- D. Recommended oven junction box locations
- E. 1" (2.5 cm) clearance to cabinet
- F. 27³/₄" (70.5 cm) minimum cutout height
- G. Allow 5/8" (1.6 cm) for oven trim to overlap on each side.
- H. 36" (91.4 cm) from cabinet base to countertop
- I. 31³/₈" (79.7 cm) from top of countertop to bottom of cutout
- J. Gas line through wall 10¹/₂" (26.7 cm) to center of cutout
- K. 3¹/₄" (8.3 cm)
- L. Gas line through floor 10¹/₂" (26.7 cm) to center of cutout
- M. 3¹/₂" (8.9 cm)
- N. 4⁵/₈" (11.7 cm) maximum from cabinet base with feet installed.
- O. 25¹/₂" (64.8 cm) Minimum Oven cutout dimension

For the approved model number combinations, refer to the undercounter label located on top of the oven chassis.

NOTE: For undercounter installation, it is recommended that the junction box for oven be located in the adjacent right or left cabinet. A 1" (2.5 cm) minimum diameter hole should have been drilled in the upper rear right or left corner of the side wall surface to pass the appliance cable through to the junction box.

The upper shaded areas are recommended locations for recessed junction box for 120 V grounded outlet for cooktop.

Lower shaded areas are recommended locations for flexible or rigid gas pipe installation. The gas connection on the cooktop is on the right (same location as "J" in the above diagram). The gas pipe can be installed on either side of the cutout, and either through the floor or through the wall. Refer to local codes regarding the use of gas lines.

⚠ WARNING



Electrical Shock Hazard

Plug into a grounded 3 prong outlet.

Do not remove ground prong.

Do not use an adapter.

Do not use an extension cord.

Failure to follow these instructions can result in death, fire, or electrical shock.

If codes permit and a separate ground wire is used, it is recommended that a qualified electrical installer determine that the ground path and the wire gauge are in accordance with local codes.

Check with a qualified electrical installer if you are not sure the oven is properly grounded.

This oven must be connected to a grounded metal, permanent wiring system.

Be sure that the electrical connection and wire size are adequate and in conformance with the National Electrical Code, ANSI/NFPA 70-latest edition or CSA Standards C22.1-94, Canadian Electrical Code, Part 1 and C22.2 No. O-M91-latest edition, and all local codes and ordinances.

A copy of the above code standards can be obtained from:

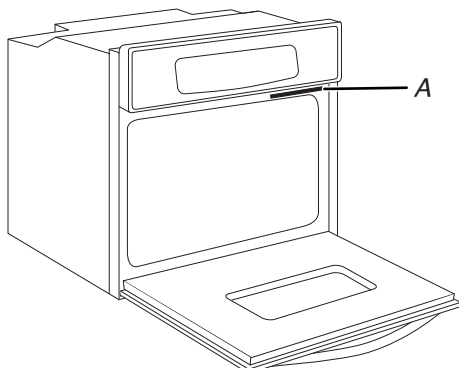
National Fire Protection Association
1 Batterymarch Park
Quincy, MA 02169-7471

CSA International
8501 East Pleasant Valley Road
Cleveland, OH 44131-5575

Electrical Connection

To properly install your oven, you must determine the type of electrical connection you will be using and follow the instructions provided for it here.

- Oven must be connected to the proper electrical voltage and frequency as specified on the model/serial/rating plate. The model/serial/rating plate is located under the control panel on single ovens and under the control panel on the upper oven cavity on double ovens. See the following illustration.



SINGLE OVEN

A. Model/serial/rating plate

- Models rated from 7.3 to 9.6 kW at 240 V (5.4 to 7.4 kW at 208 V) require a separate 40 A circuit. Models rated at 4.8 kW and below at 240 V (3.6 kW and below at 208 V) require a separate 20 A circuit. This model requires a separate 20 A circuit.

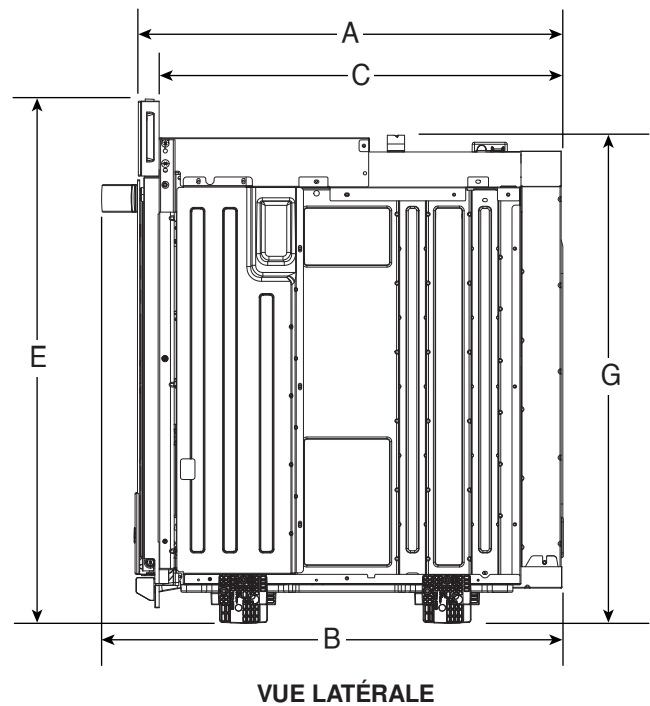
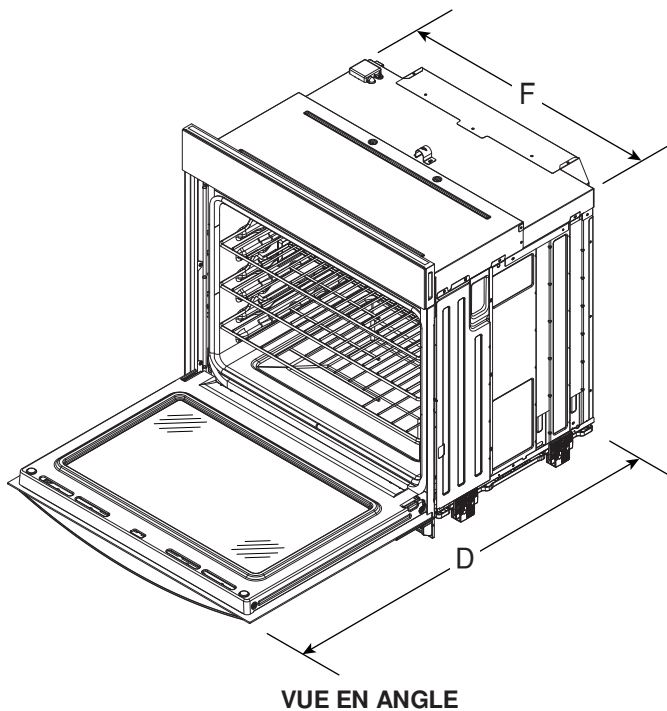
- A circuit breaker is recommended.
- Connect directly to the fused disconnect (or circuit breaker box) through flexible, armored or nonmetallic sheathed, copper cable (with grounding wire). See the "Make Electrical Connection" section in the Owner's Manual.
- Flexible conduit from the oven should be connected directly to the junction box.
- Fuse both sides of the line.
- Do not cut the conduit. The length of conduit provided is for serviceability of the oven.
- A UL listed or CSA-approved conduit connector must be provided.
- If the house has aluminum wiring, follow the procedure below:

Connect the aluminum wiring using special connectors and/or tools designed and UL listed for joining copper to aluminum.

Follow the electrical connector manufacturer's recommended procedure. Aluminum/copper connection must conform with local codes and industry-accepted wiring practices.

FOUR ENCASTRÉ SIMPLE ÉLECTRIQUE WHIRLPOOL® PRODUIT : WOES7027P

APPAREIL :		FOUR ENCASTRÉ SIMPLE ÉLECTRIQUE DE 27 PO	
	Unités	po	cm
A	Profondeur, fermé sans poignée (en affurement)	24 ⁷ / ₁₆	62
B	Profondeur, fermé avec poignée	26 ⁵ / ₁₆	66,9
C	Profondeur jusqu'à l'arrière de la console (profondeur normale)	23 ¹ / ₁₆	58,6
D	Profondeur avec porte ouverte 90°	46 ¹ / ₈	117,2
E	Hauteur maximum (incluant la console)	29 ¹³ / ₁₆	75,7
E	Hauteur minimum (incluant la console)	28 ¹ / ₁₆	71,2
F	Largeur	26 ³ / ₄	68
G	Hauteur maximum (sans la console)	27 ³ / ₄	70,4
G	Hauteur minimum (sans la console)	25 ¹⁵ / ₁₆	65,9



IMPORTANT : Les spécifications dimensionnelles sont fournies uniquement à des fins de planification.
Ne faire aucune découpe sur la base de cette information. Se référer au manuel de l'utilisateur avant de choisir une armoire, de vérifier les connexions électriques/au gaz, d'effectuer des coupes ou de commencer l'installation.

Exigences d'emplacement

IMPORTANT : Observer les dispositions de tous les codes et règlements en vigueur.

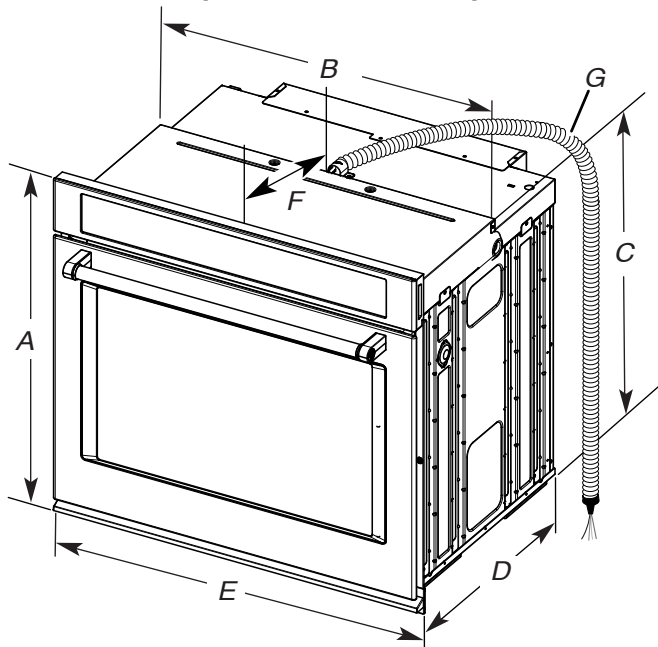
- Afin de supprimer le risque de brûlures ou d'incendie lié au fait de se pencher au-dessus des appareils de cuisson chauds, les armoires de rangement au-dessus des appareils de cuisson doivent être évitées. Si des armoires de rangement sont prévues, le risque peut être réduit par l'installation d'une hotte de cuisinière dépassant horizontalement de 5 po (12,7 cm) au moins par rapport au bas des armoires.
- Les dimensions d'ouverture de l'armoire indiquées doivent être utilisées. Ces dimensions tiennent compte des dégagements de séparation nécessaires pour le four.
- L'espace d'installation dans un encastrement doit permettre la formation d'une enceinte complète autour de la partie encastrée du four.
- Une source d'électricité avec liaison à la terre est nécessaire. Voir la section « Spécifications électriques. »
- Le boîtier de raccordement doit être situé à moins de 3 po (7,6 cm) au-dessous de la surface de support lorsque le four est installé dans une armoire. Un trou d'un diamètre de 1 po (2,5 cm) ou plus doit avoir été percé dans l'angle arrière gauche ou droit de la surface de support pour le passage du câble d'alimentation de l'appareil jusqu'au boîtier de connexion.

REMARQUE : Pour l'installation sous un comptoir, on recommande que le boîtier de connexion soit situé dans l'armoire adjacente, à droite ou à gauche. Si le boîtier de connexion est installé sur le mur derrière le four, nous recommandons qu'il soit encastré et situé dans la partie supérieure centrale de l'armoire.

- La surface de support du four doit être robuste, horizontale et en affilage avec le bas de l'ouverture découpée dans l'armoire.
- Pour un modèle simple de 27 po (68,6 cm), le plancher doit pouvoir supporter un poids de 200 lb (91 kg).

IMPORTANT : Pour éviter d'endommager vos armoires, vérifier avec le fabricant ou le fournisseur d'armoires pour s'assurer que les matériaux utilisés ne décoloreront et ne délamineront pas ou ne subiront pas d'autres dommages. Ce four a été conçu conformément aux exigences des normes UL et CSA International et respecte les températures maximales permises de 194 °F (90 °C) pour les armoires en bois.

Dimensions du produit – Fours simples

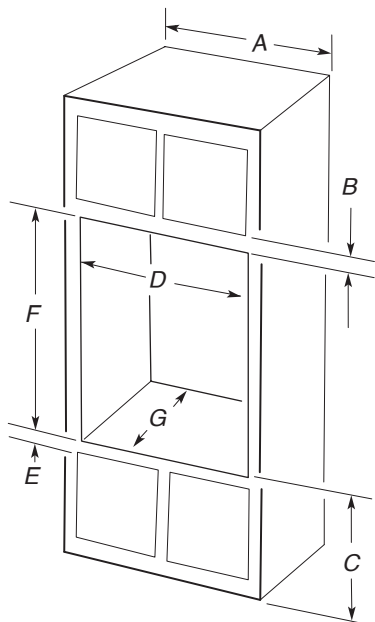


Modèles de 27 po (68,6 cm)

- A. Hauteur totale maximum : 29 po (73,6 cm)
- B. Largeur maximum de l'encastrement : 25 ⁷/₁₆ po (64,6 cm)
- C. Hauteur de l'encastrement : 26 po (65,9 cm)
- D. Profondeur maximum de l'encastrement : 23 ¹/₄ po (59,1 cm)
- E. Largeur totale : 26 po (65,9)
- F. De l'arrière du tableau de commande jusqu'à l'extrémité avant du serre-câbles : 12 po (30,5 cm)
- G. Longueur du conduit flexible : 48 po (121,9 cm)

Dimensions de l'armoire – Four simple, installation standard

Fours simples installés dans une armoire



Modèles de 27 po (68,6 cm)

- A. Largeur minimum de l'armoire : 27 po (68,6 cm)
- B. 1 po (2,5 cm) entre le sommet de l'encastrement et le bas de la porte de l'armoire supérieure
- C. Du fond de la découpe au plancher : 32 po (81,3 cm)
- D. 25 1/2 po (64,8 cm) de largeur minimum pour l'ouverture découpée
- E. Du fond de l'ouverture au dessus de la porte de l'armoire : 1 1/2 po (3,8 cm) min.
- F. Hauteur recommandée de la découpe : 28 po (71,2 cm)*
- G. Profondeur de découpe : 24 po (60,7 cm)

*REMARQUES :

- Pour les fours simples, la hauteur de la découpe peut être comprise entre 27 1/4 po et 29 7/16 po (69,2 cm et 74,8 cm).
- Grand écran pour une installation supérieure à 28 11/16 po (72,9 cm).

Dimensions de l'armoire – Fours simples, installations en affleurement

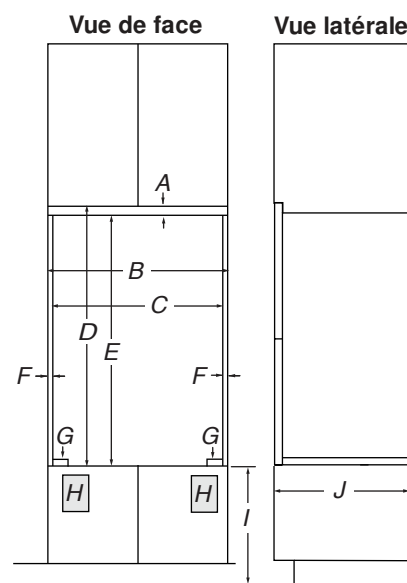
REMARQUE : Il s'agit d'un choix alternatif pour installer votre produit dans une armoire et obtenir un style en affleurement. Pour une installation standard, consulter la section « Dimensions de l'armoire – Four simple, installation standard. »

REMARQUE : Sur les modèles de four simple et double installé au-dessus d'un tiroir-réchaud ou pour les fours installés en affleurement avec une armoire, un ensemble de détecteurs pour tiroir-réchaud doit être installé. Voir la section « commande en ligne » du guide de démarrage rapide.

Une découpe de 25 po (63,5 cm) minimum est requise.

Les écarts supérieur et inférieur seront de 1/8 po (0,3 cm) au-dessus et en dessous du produit. Les écarts supérieurs et inférieurs ne sont pas nécessaires pour l'installation. Les zones exposées de la caisse doivent être revêtues d'un fini pour correspondre.

Fours simples installés dans une armoire

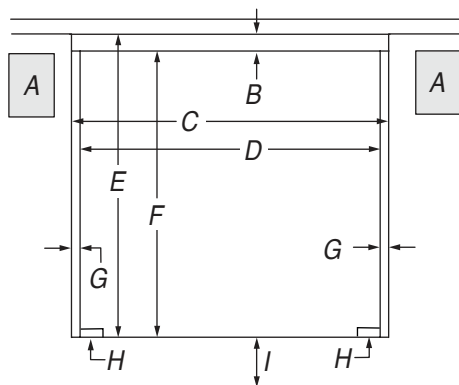


Modèles de 27 po (68,6 cm)

- A. Tasseau supérieur de 3/4 po (1,9 cm)*
- B. Largeur minimale de l'ouverture intégrée en affleurement : 27 1/4 po (69,2 cm)
- C. Largeur minimum de l'ouverture : 25 7/8 po (65,7 cm)
- D. Hauteur minimale de l'ouverture intégrée en affleurement : 29 1/4 po (74,3 cm)
- E. Hauteur recommandée de la découpe : 28 1/2 po (72,4 cm)
- F. Tasseau latéral de 11/16 po (1,7 cm)*
- G. Recommandé avec pied : 1/4 po (0,6 cm). Dimension autorisée de 15/16 po à 1 1/8 po (2,2 cm à 2,9 cm) sans pieds.
- H. Emplacement recommandé pour la boîte de jonction
- I. 4 5/8 po à 32 po (11,7 à 81,3 cm) du fond de la découpe au plancher
- J. Profondeur minimum de la découpe : 25 po (63,5 cm)

*Les tasseaux et les cales d'espacement doivent être encastrés à 1 3/8 po (3,5 cm) depuis l'avant de l'armoire.

Four simple sous le plan de travail – sans table de cuisson au-dessus

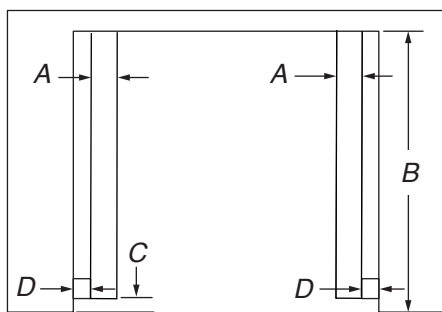


Vue de face

Modèles de 27 po (68,6 cm)

- A. Emplacement recommandé pour la boîte de jonction
- B. Tasseau supérieur de 3/4 po (1,9 cm)*
- C. Largeur minimale de l'ouverture intégrée en affleurement : 27 1/4 po (69,2 cm)
- D. Largeur minimum de l'ouverture : 25 7/8 po (65,7 cm)
- E. Hauteur minimale de l'ouverture intégrée en affleurement : 29 1/4 po (74,3 cm)
- F. Hauteur recommandée de la découpe : 28 1/2 po (72,4 cm)
- G. Tasseau latéral de 11/16 po (1,7 cm)*
- H. Recommandé avec pied : 1/4 po (0,6 cm). Dimension autorisée de 15/16 po à 1 1/8 po (2,2 cm à 2,9 cm) sans pieds.
- I. Du fond de la découpe au plancher : 4 5/8 po (11,7 cm)

*Les tasseaux et les cales d'espacement doivent être encastrés à 1 3/8 po (3,5 cm) depuis l'avant de l'armoire.



Vue du dessus

Modèles de 30 po (76,2 cm)

- A. Cale d'espacement de 2 po (5,1 cm) sur la profondeur totale de l'ouverture*
- B. Profondeur de la découpe : 25 po (63,5 cm)
- C. Encastrement à partir de l'avant de l'armoire : 1 3/8 po (3,5 cm)
- D. Tasseau latéral de 11/16 po (1,7 cm)*

*Les tasseaux et les cales d'espacement doivent être encastrés à 1 3/8 po (3,5 cm) depuis l'avant de l'armoire.

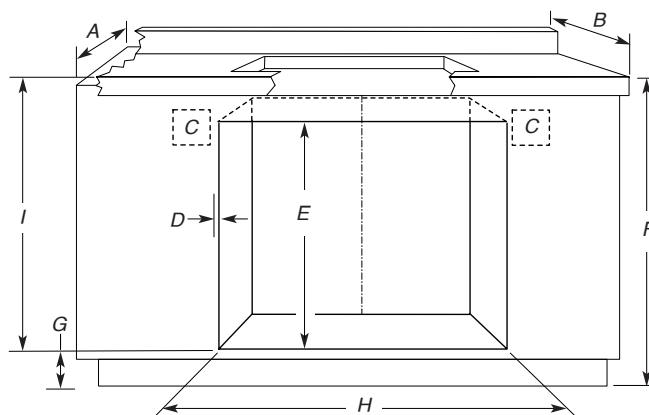
Four installé sous la table de cuisson – Dimensions pour l'ouverture à découper

IMPORTANT : Observer les dispositions de tous les codes et règlements en vigueur. La table de cuisson doit être homologuée pour une utilisation au-dessus d'un four. Pour les dimensions de l'ouverture à découper, voir les instructions d'installation de la table de cuisson. Centrer l'ouverture à découper pour la table de cuisson par rapport à l'ouverture découpée pour le four.

Les fours homologués pour ce type d'installation comportent une étiquette d'homologation placée sur le dessus du four.

Pour éviter d'endommager vos armoires, vérifier avec le fabricant ou le fournisseur d'armoires pour s'assurer que les matériaux utilisés ne décoloreront et ne délamineront pas ou ne subiront pas d'autres dommages. Ce four a été conçu conformément aux exigences des normes UL et CSA International et respecte les températures maximales permises de 194 °F (90 °C) pour les armoires en bois.

Four encastré homologué et four électrique à serpentin/élément radiant/induction ou sans table de cuisson installée au-dessus du four



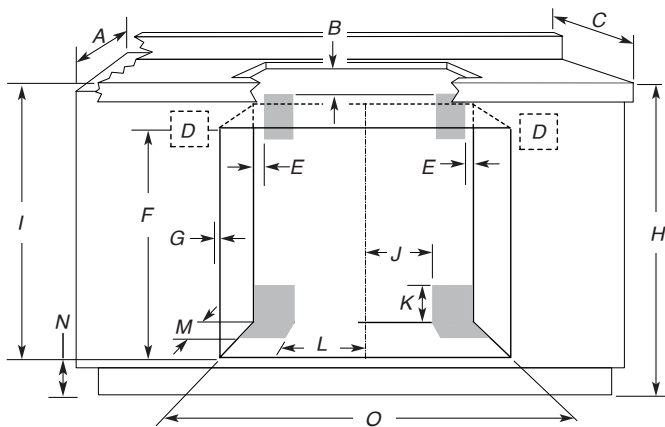
- A. Profondeur de l'armoire 24 po (61 cm)
- B. Profondeur du plan de travail 25 po (63,5 cm)
- C. Emplacements recommandés pour le boîtier de connexion du four et de la table de cuisson
- D. Prévoir 5/8 po (1,6 cm) de chaque côté pour le chevauchement de la garniture du four.
- E. Hauteur minimum de la découpe : 27 3/4 po (70,5 cm)
- F. 36 po (91,4 cm) entre la base de l'armoire et le plan de travail
- G. 4 5/8 po (11,7 cm) maximum entre la base de l'armoire lorsque les pieds sont installés Si la dimension « F » est supérieure à 36 po (91,4 cm), la dimension « G » peut être augmentée de la même différence pour des combinaisons d'appareils à induction.
- H. 25 1/2 po (64,8 cm) minimum pour l'ouverture de découpe du four
- I. 31 3/8 po (82,2 cm) entre le sommet du plan de travail et le fond de la cavité d'encastrement

Pour connaître les combinaisons approuvées par numéro de modèle, consulter l'étiquette sous comptoir située sur la partie supérieure du châssis du four et au fond de la boîte de brûleur de la table de cuisson.

REMARQUE : Pour l'installation sous un plan de travail, on recommande que les boîtiers de connexion pour four et table de cuisson soient situés dans l'armoire adjacente, à droite ou à gauche. Un trou d'un diamètre minimal de 1 po (2,5 cm) doit avoir été percé dans l'angle arrière gauche de la surface du mur latéral pour le passage du câble d'alimentation de l'appareil jusqu'au boîtier de connexion.

Combinaisons four encastré/table de cuisson à gaz (produits homologués)

Spéci cations électriques



- A. Profondeur de l'armoire 24 po (61 cm)
- B. Dégagement de 1 po (2,5 cm) jusqu'au bas du plan de travail
- C. Profondeur du plan de travail 25 po (63,5 cm)
- D. Emplacements recommandés pour le boîtier de connexion du four et de la table de cuisson
- E. Dégagement de 1 po (2,5 cm) jusqu'à l'armoire
- F. Hauteur minimum de la découpe : 27³/₄ po (70,5 cm)
- G. Prévoir 5/8 po (1,6 cm) de chaque côté pour le chevauchement de la garniture du four.
- H. 36 po (91,4 cm) entre la base de l'armoire et le plan de travail
- I. 31³/₈ po (79,7 cm) entre le sommet du plan de travail et le fond de la cavité d'encastrement
- J. Canalisation de gaz à travers le mur : 10¹/₂ po (26,7 cm) jusqu'au centre de l'ouverture.
- K. 3¹/₄ po (8,3 cm)
- L. Canalisation de gaz à travers le plancher : 10¹/₂ po (26,7 cm) jusqu'au centre de l'ouverture.
- M. 3¹/₂ po (8,9 cm)
- N. 4⁵/₈ po (11,7 cm) maximum entre la base de l'armoire lorsque les pieds sont installés
- O. 25¹/₂ po (64,8 cm) minimum pour l'ouverture de découpe du four

Pour connaître les combinaisons des produits homologués par numéro de modèle, consulter l'étiquette sous comptoir située sur la partie supérieure du châssis du four.

REMARQUE : Pour l'installation sous un plan de travail, on recommande que le boîtier de connexion pour le four soit situé dans l'armoire adjacente, à droite ou à gauche. Un trou d'un diamètre minimal de 1 po (2,5 cm) doit avoir été percé dans l'angle arrière gauche de la surface du mur latéral pour le passage du câble d'alimentation de l'appareil jusqu'au boîtier de connexion.

On recommande d'utiliser les zones grisées supérieures pour la prise de 120 V reliée à la terre du boîtier de connexion encastré de la table de cuisson.

On recommande l'installation de la canalisation de gaz flexible ou rigide dans les zones ombrées inférieures. Le point de raccordement au gaz de la table de cuisson se trouve sur la droite (même emplacement que le point « J » dans le schéma ci-dessus). La canalisation de gaz peut être installée d'un côté ou de l'autre de l'ouverture découpée, à travers le plancher ou à travers le mur. Consulter les codes locaux concernant l'utilisation des canalisations de gaz.

⚠ AVERTISSEMENT



Risque de choc électrique

Brancher sur une prise à 3 alvéoles reliée à la terre.

Ne pas enlever la broche de liaison à la terre.

Ne pas utiliser un adaptateur.

Ne pas utiliser un câble de rallonge.

Le non-respect de ces instructions peut causer un décès, un incendie ou un choc électrique.

Si on utilise un conducteur distinct de liaison à la terre et lorsque les codes le permettent, il est recommandé qu'un électricien qualifié vérifie que la liaison à la terre et le calibre des fils sont conformes aux codes locaux.

En cas de doute quant à la qualité de la liaison à la terre du four, consulter un électricien qualifié.

Ce four doit être raccordé à un système permanent, métallique de câblage relié à la terre.

S'assurer que la connexion électrique et le calibre des fils sont appropriés et conformes au National Electrical Code, aux normes ANSI/NFPA 70 – dernière édition, ou aux normes CSA C22.1-94, au Code canadien de l'électricité, Partie 1 et C22.2 No O-M91 – dernière édition, et à tous les codes et règlements locaux.

Pour obtenir un exemplaire des normes des codes ci-dessus, contacter :

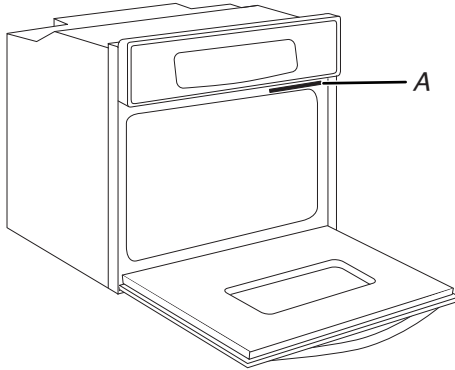
National Fire Protection Association
1 Batterymarch Park
Quincy, MA 02169-7471

CSA International
8501 East Pleasant Valley Road
Cleveland, OH 44131-5575

Raccordement électrique

Pour installer le four correctement, il faut établir le type de raccords électriques que l'on utilisera et suivre les instructions indiquées ici.

- Le four doit être alimenté par une source d'électricité et une tension appropriées, comme spécifié sur la plaque signalétique. La plaque signalétique du numéro de modèle et de série est située sous le panneau de configuration sur les fours simples et sous le panneau de configuration sur la cavité supérieure du four sur les fours doubles. Voir l'illustration suivante.



FOUR SIMPLE

A. Plaque signalétique du numéro de modèle et de série

- Les modèles à 240 V de 7,3 à 9,6 kW (208 V de 5,4 à 7,4 kW) doivent être alimentés par un circuit indépendant de 40 A. Les modèles à 240 V de 4,8 kW ou moins (208 V de 3,6 kW ou moins) doivent être alimentés par un circuit indépendant de 20 A. Ce modèle nécessite un circuit séparé de 20 A.

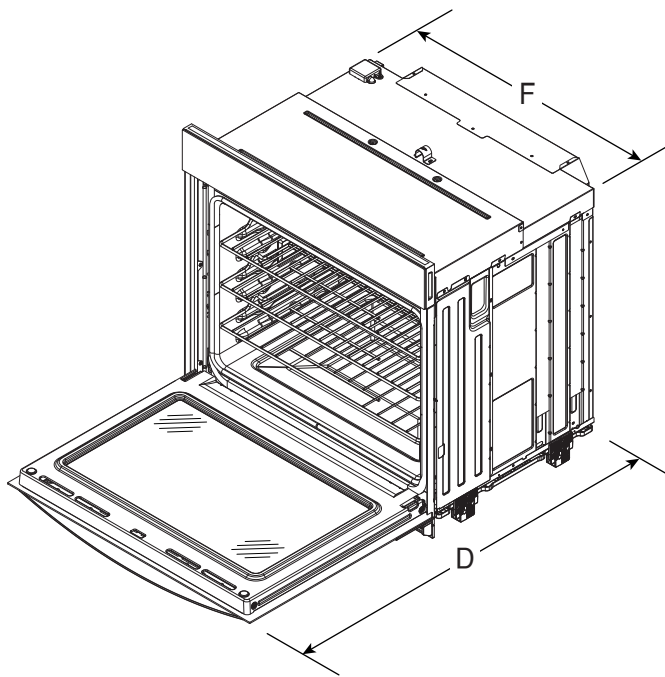
- L'emploi d'un disjoncteur est recommandé.
- Raccorder l'appareil directement au tableau de distribution par un câble à conducteur de cuivre et gaine métallique flexible ou gaine non métallique (avec conducteur de liaison à la terre). Consulter la section « Raccordement électrique » du manuel de l'utilisateur.
- Le câble flexible du four doit être connecté directement dans le boîtier de connexion.
- Installer un fusible aux deux extrémités de la ligne.
- Ne pas couper le conduit. La longueur du conduit fournie est destinée à faciliter l'entretien du four.
- L'installateur doit fournir un connecteur de conduit (homologation UL ou CSA).
- Si le domicile possède un câblage en aluminium, suivre la procédure ci-dessous :

Connecter le câblage en aluminium en utilisant des capuchons ou des outils spécialement conçus et homologués UL pour raccorder le cuivre à l'aluminium.

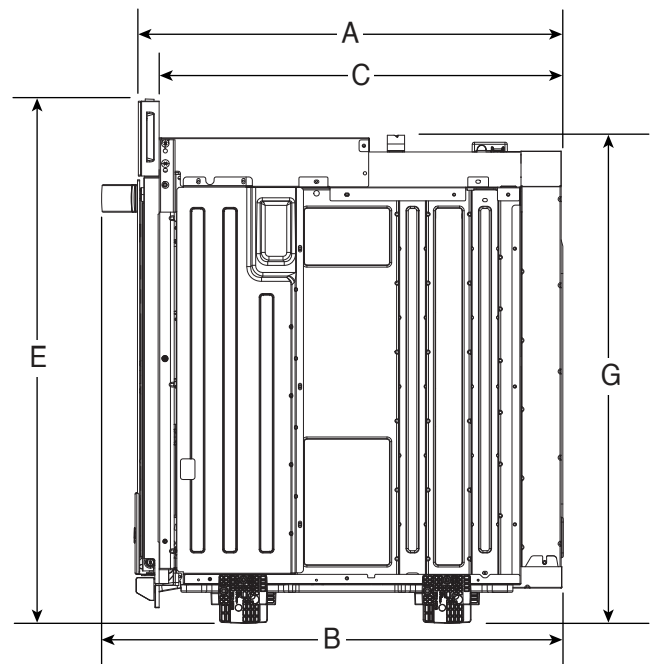
Suivre la procédure recommandée par le fabricant de connecteurs électriques. Les raccordements aluminium/cuivre doivent satisfaire aux prescriptions des codes locaux et de l'industrie, et être conformes aux pratiques de câblage reconnues.

HORNO DE PARED SIMPLE ELÉCTRICO WHIRLPOOL® PRODUCTO: WOES7027P

ELECTRODOMÉSTICO:		HORNO DE PARED SIMPLE ELÉCTRICO DE 27"	
	Unidades	pulg.	cm
A	Profundidad del producto cerrado sin las manijas (instalación enrasada)	24 ⁷ / ₁₆	62
B	Profundidad del producto cerrado con las manijas	26 ⁵ / ₁₆	66,9
C	Profundidad hasta parte posterior de la consola (profundidad estándar)	23 ¹ / ₁₆	58,6
D	Profundidad con la puerta abierta 90°	46 ¹ / ₈	117,2
E	Altura máxima (incluida la consola)	29 ¹³ / ₁₆	75,7
E	Altura mínima (incluida la consola)	28 ¹ / ₁₆	71,2
F	Ancho	26 ³ / ₄	68
G	Altura máxima (sin incluir la consola)	27 ³ / ₄	70,4
G	Altura mínima (sin incluir la consola)	25 ¹⁵ / ₁₆	65,9



VISTA EN ÁNGULO



VISTA LATERAL

IMPORTANTE: Las especificaciones de medidas son solo para fines de planificación.
No realice ningún corte basado en esta información. Consulte el Manual del usuario antes de la selección de gabinetes, verificar las conexiones eléctricas/de gas, realizar cortes o iniciar la instalación.

Requisitos de ubicación

IMPORTANTE: Respete todas las normativas y reglamentos vigentes.

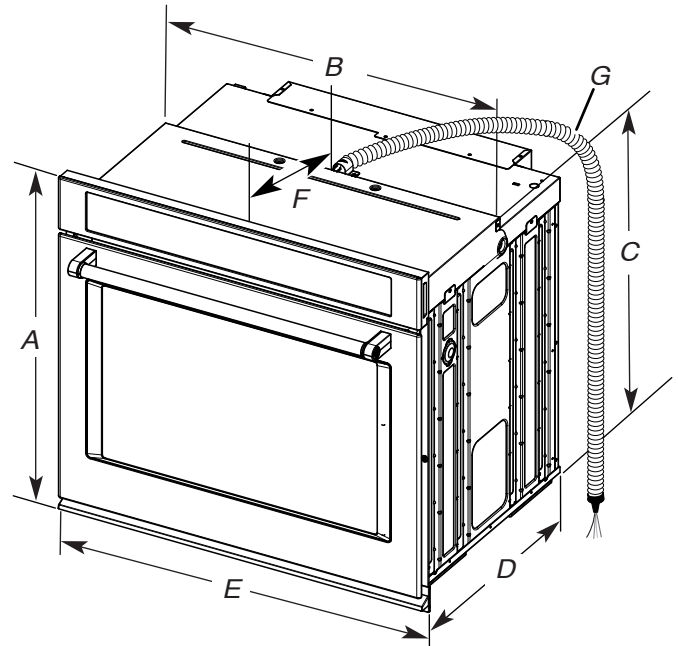
- Para eliminar el riesgo de quemaduras o incendio al buscar artículos encima de unidades con la super cie caliente, deberá evitarse el uso de gabinetes de almacenamiento encima de las unidades. Si van a proveerse gabinetes de almacenamiento, puede reducir el riesgo instalando una campana para estufa que se proyecte horizontalmente un mínimo de 5" (12,7 cm) sobresaliendo de la base de los gabinetes.
- Deben usarse las dimensiones de la abertura del gabinete que se muestran. Las dimensiones dadas proveen un espacio mínimo, incluyendo el horno.
- El área de instalación empotrada debe estar completamente cerrada alrededor de la parte empotrada del horno.
- Se requiere un suministro eléctrico con conexión a tierra. Consulte la sección "Requisitos eléctricos."
- La caja de empalmes del suministro eléctrico debe estar como máximo a 3" (7,6 cm) por debajo de la super cie de soporte cuando el horno se instale en un gabinete de pared. Se debe perforar un orificio de 1" (2,5 cm) de diámetro como mínimo en la esquina trasera derecha o izquierda de la super cie de soporte para pasar el cable del electrodoméstico a través de la caja de empalmes.

NOTA: Para la instalación debajo del mostrador, se recomienda que la caja de empalmes se ubique en el gabinete adyacente de la derecha o izquierda. Si se instala la caja de empalmes sobre la pared trasera detrás del horno, se recomienda que la caja quede empotrada y en el centro de la parte superior del gabinete.

- La super cie de apoyo del horno debe ser maciza, estar nivelada y alineada con la parte inferior del recorte del gabinete.
- El piso debe poder soportar un peso de horno simple de 200 lb (91 kg) para los modelos de 27" (68,6 cm).

IMPORTANTE: Para evitar daños a los gabinetes, consulte al constructor o al distribuidor de los gabinetes para asegurarse de que los materiales empleados no cambien de color, no se desprenda el laminado ni sufran ningún otro tipo de daño. Este horno fue diseñado de acuerdo con los requisitos de UL y CSA International y cumple con las temperaturas máximas permitidas para gabinetes de madera de 194 °F (90 °C).

Dimensiones del producto - Hornos simples

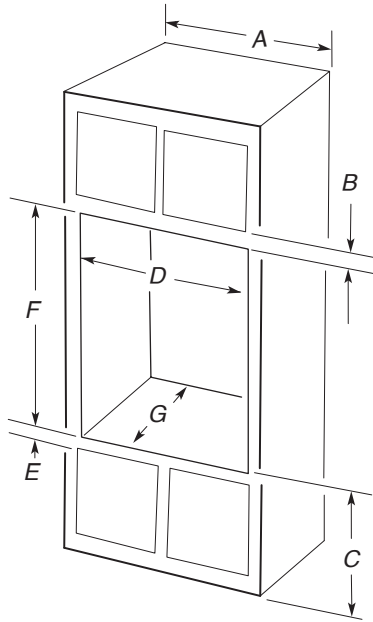


Modelos de 27" (68,6 cm)

- A. 29" (73,6 cm) de altura máxima total
- B. 25⁷/₁₆" (64,6 cm) de ancho empotrado máximo
- C. 26" (65,9 cm) de altura empotrada
- D. 23¹/₄" (59,1 cm) de profundidad empotrada máxima
- E. 26" (65,9) de ancho general
- F. 12" (30,5 cm) de la parte trasera del panel de control al inicio del protector de cables
- G. Longitud del conducto flexible 48" (121,9 cm)

Dimensiones del gabinete - Hornos simples, instalación estándar

Hornos simples instalados en gabinete



Modelos de 27" (68,6 cm)

- A. 27" (68,6 cm) de ancho mínimo de gabinete
- B. 1" (2,5 cm) parte superior del recorte a la parte inferior de la puerta del gabinete superior
- C. 32" (81,3 cm) de la parte inferior del recorte al piso
- D. 25 1/2" (64,8 cm) de ancho mínimo de recorte
- E. 1 1/2" (3,8 cm) mínimo de la parte inferior del recorte a la parte superior de la puerta del gabinete
- F. Altura del recorte recomendada 28" (71,2 cm)*
- G. 24" (60,7 cm) de profundidad del recorte

***NOTAS:**

- La altura del recorte puede ser de entre 27 1/4" y 29 7/16" (69,2 cm y 74,8 cm) para los hornos simples.
- Protector alto para instalaciones de más de 28 11/16" (72,9 cm).

Dimensiones del gabinete - Hornos simples, instalación alineada

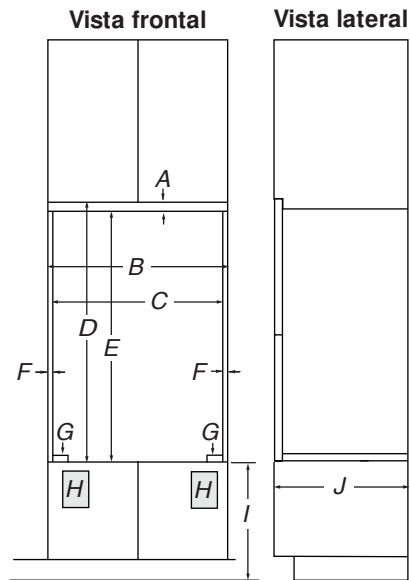
NOTA: Esta es una opción alternativa para instalar su producto en el gabinete y obtener una apariencia alineada. Para ver la instalación estándar, consulte la sección "Dimensiones del gabinete: Hornos simples, instalación estándar."

NOTA: En los modelos de horno simple y doble instalados encima de un cajón de calentamiento o para hornos instalados con gabinetes de instalación empotrada, debe instalarse un kit de protector. Consulte la sección "Pedidos en línea" de la Guía rápida de inicio para obtener información sobre los pedidos.

Se requiere una profundidad de recorte mínima de 25" (63,5 cm).

Los espacios superior e inferior serán de 1/8" (0,3 cm) por encima y por debajo del producto. No se requieren espacios en la parte superior e inferior para la instalación. Las áreas expuestas del gabinete deben tener un acabado que coincida.

Hornos simples instalados en gabinete

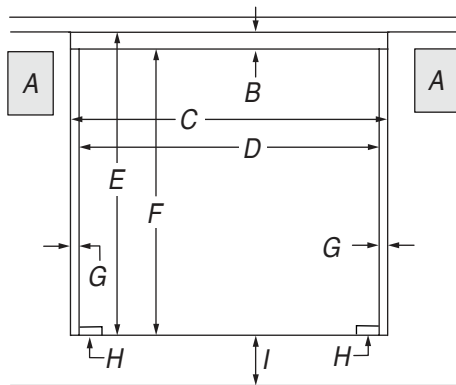


Modelos de 27" (68,6 cm)

- A. 3/4" (1,9 cm) taco superior*
- B. 27 1/4" (69,2 cm) de ancho mínimo de recorte empotrado al ras
- C. 25 7/8" (65,7 cm) de ancho mínimo de apertura
- D. 29 1/4" (74,3 cm) de altura mínima de recorte empotrado al ras
- E. 28 1/2" (72,4 cm) de altura del recorte recomendado
- F. 11/16" (1,7 cm) taco lateral*
- G. 1/4" (0,6 cm) recomendado con pie. 15/16" a 1 1/8" (de 2,2 cm a 2,9 cm) permitido sin pie.
- H. Ubicación recomendada de la caja de empalmes
- I. 4 5/8"-32" (11,7-81,3 cm) parte inferior del recorte al piso
- J. 25" (63,5 cm) de profundidad mínima de recorte

*Los tacos y espaciadores deben estar empotrados 1 3/8" (3,5 cm) desde el frente del gabinete.

Hornos simples debajo del mostrador - sin la super cie de cocción instalada arriba

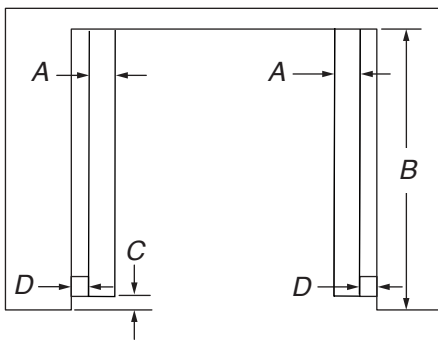


Vista frontal

Modelos de 27" (68,6 cm)

- A. Ubicación recomendada de la caja de empalmes
- B. 3/4" (1,9 cm) taco superior*
- C. 27 1/4" (69,2 cm) de ancho mínimo de recorte empotrado al ras
- D. 25 7/8" (65,7 cm) de ancho mínimo de apertura
- E. 29 1/4" (74,3 cm) de altura mínima de recorte empotrado al ras
- F. 28 1/8" (72,4 cm) de altura del recorte recomendado
- G. 11/16" (1,7 cm) taco lateral*
- H. 1/4" (0,6 cm) recomendado con pie. 15/16" a 1 1/8" (de 2,2 cm a 2,9 cm) permitido sin pie.
- I. 4 5/8" (11,7 cm) de la parte inferior del recorte al piso

*Los tacos y espaciadores deben estar empotrados 1 3/8" (3,5 cm) desde el frente del gabinete.



Vista superior

Modelos de 30" (76,2 cm)

- A. 2" (5,1 cm) espaciador de toda la profundidad del recorte*
- B. 25" (63,5 cm) de profundidad de recorte
- C. 1 3/8" (3,5 cm) hueco del frente del gabinete
- D. 11/16" (1,7 cm) taco lateral*

*Los tacos y espaciadores deben estar empotrados 1 3/8" (3,5 cm) desde el frente del gabinete.

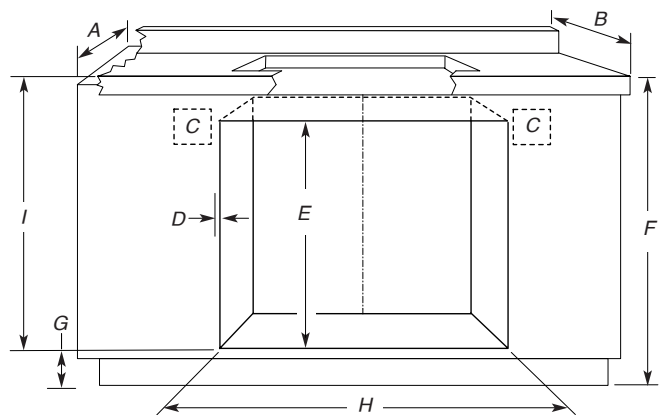
Dimensiones de recorte para hornos instalados bajo la super cie de cocción

IMPORTANTE: Respete todas las normativas y reglamentos vigentes. Se debe aprobar el uso de la super cie de cocción sobre un horno. Para obtener las dimensiones de recorte, vea las Instrucciones de instalación de la super cie de cocción. Centre el recorte de la super cie de cocción sobre el recorte del horno.

Los hornos que hayan sido aprobados para este tipo de instalación tienen la etiqueta de aprobación ubicada en la parte superior del horno.

Para evitar daños a los gabinetes, consulte al constructor o al distribuidor de los gabinetes para asegurarse de que los materiales empleados no cambien de color, no se desprenda el laminado ni sufran ningún otro tipo de daño. Este horno se ha diseñado de acuerdo con UL y CSA International y cumple con las temperaturas máximas permitidas para gabinetes de madera de 194 °F (90 °C).

Combinaciones aprobadas de horno empotrado y super cie de cocción eléctrica/radiante/de inducción o sin super cie de cocción instalada encima del horno.



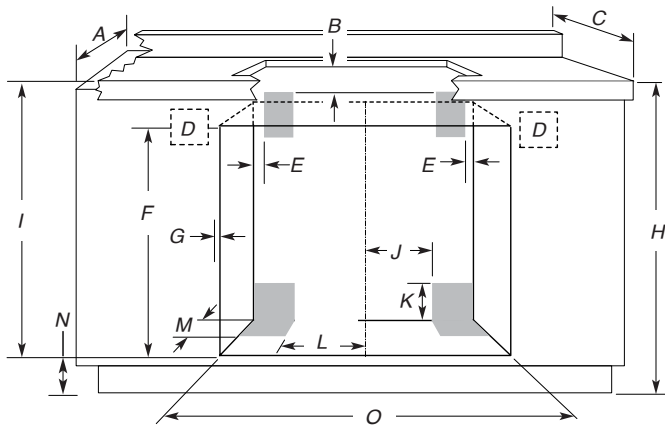
- A. Profundidad de gabinete de 24" (61 cm)
- B. Profundidad del mostrador de 25" (63,5 cm)
- C. Ubicaciones recomendadas para el horno y la caja de empalmes
- D. Deje 5/8" (1,6 cm) para que el borde del horno quede solapado a cada lado.
- E. 27 3/4" (70,5 cm) de altura del recorte mínima
- F. 36" (91,4 cm) desde el gabinete base al mostrador
- G. 4 5/8" (11,7 cm) máximo desde la base del gabinete con pies instalados. Si la dimensión "F" es mayor a 36" (91,4 cm), se debe aumentar la dimensión de "G" en la misma proporción para las combinaciones de inducción.
- H. 25 1/2" (64,8 cm) dimensión mínima del recorte del horno
- I. 31 3/8" (82,2 cm) desde la parte superior del mostrador hasta la parte inferior del recorte

Para las combinaciones aprobadas del número de modelo, consulte la etiqueta bajo el mostrador ubicada en la parte superior del chasis del horno y en la parte inferior del cuerpo del quemador de la super cie de cocción.

NOTA: Para la instalación bajo el mostrador, se recomienda que las cajas de conexiones del horno y la super cie de cocción se ubiquen en el gabinete adyacente de la derecha o izquierda. Se debe perforar un orificio de 1" (2,5 cm) de diámetro como mínimo en la esquina superior trasera a la derecha o izquierda de la pared lateral para pasar el cable del accesorio a través de la caja de empalmes.

Combinaciones aprobadas de horno integrado y super cie de cocción a gas

Requisitos eléctricos



- A. Profundidad de gabinete de 24" (61 cm)
- B. 1" (2,5 cm) de distancia en la parte inferior del mostrador
- C. Profundidad del mostrador de 25" (63,5 cm)
- D. Ubicaciones recomendadas la caja de conexiones
- E. 1" (2,5 cm) de distancia del gabinete
- F. 27³/₈" (70,5 cm) de altura del recorte mínima
- G. Deje 5/8" (1,6 cm) para que el borde del horno quede solapado a cada lado.
- H. 36" (91,4 cm) desde el gabinete base al mostrador
- I. 31³/₈" (79,7 cm) desde la parte superior del mostrador hasta la parte inferior del recorte
- J. Tubería de gas a través de la pared a 10¹/₂" (26,7 cm) desde el centro del recorte
- K. 3¹/₄" (8,3 cm)
- L. Tubería de gas a través del piso a 10¹/₂" (26,7 cm) desde el centro del recorte
- M. 3¹/₂" (8,9 cm)
- N. 4⁵/₈" (11,7 cm) máximo desde la base del gabinete con pies instalados.
- O. 25¹/₂" (64,8 cm) dimensión mínima del recorte del horno

Para las combinaciones aprobadas del número de modelo, consulte la etiqueta bajo el mostrador ubicada en la parte superior del chasis del horno.

NOTA: Para la instalación bajo el mostrador, se recomienda que la caja de empalmes del horno se ubique en el gabinete adyacente de la derecha o izquierda. Se debe perforar un orificio de 1" (2,5 cm) de diámetro como mínimo en la esquina superior trasera a la derecha o izquierda de la pared lateral para pasar el cable del accesorio a través de la caja de empalmes.

Las áreas superiores sombreadas son las ubicaciones recomendadas para la caja de conexiones empotrada para una super cie de cocción con toma de corriente de 120 V con conexión a tierra.

Las áreas inferiores sombreadas son las ubicaciones recomendadas para la instalación de tuberías de gas rígidas o flexibles. La conexión del gas en la super cie de cocción está a la derecha (en la misma ubicación que la "J" del diagrama anterior). La tubería de gas se puede instalar a cualquier lado del corte y mediante el suelo o a través de la pared. Consulte los códigos locales en relación con el uso de tuberías de gas.

⚠ ADVERTENCIA



Peligro de Choque Eléctrico

Conecte a un contacto de pared de conexión a tierra de 3 terminales.

No quite la terminal de conexión a tierra.

No use un adaptador.

No use un cable eléctrico de extensión.

No seguir estas instrucciones puede ocasionar la muerte, incendio o choque eléctrico.

Si los códigos lo permiten y se emplea un cable de conexión a tierra separado, se recomienda que un instalador eléctrico competente determine si la ruta de conexión a tierra y el calibre del cable están de acuerdo con los códigos locales.

Si no está seguro de que la conexión a tierra del horno sea la adecuada, verifíquela con un instalador eléctrico competente.

Este horno debe estar conectado a un sistema de cableado de metal permanente, conectado a tierra.

Asegúrese de que la conexión eléctrica y el tamaño del cable sean adecuados y en conformidad con el National Electrical Code (Código Nacional Eléctrico), ANSI/NFPA 70, última edición, o las normas de CSA C22.1-94, Canadian Electrical Code (Código Canadiense de Electricidad), Parte 1 y C22.2 N.º O-M91, última edición, y todos los códigos y ordenanzas locales.

Puede obtener una copia de las normas de los códigos antes indicados en:

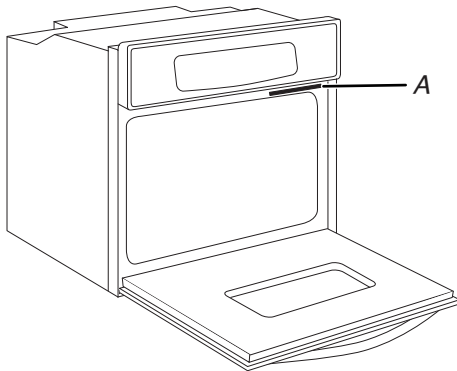
National Fire Protection Association
1 Batterymarch Park
Quincy, MA 02169-7471

CSA International
8501 East Pleasant Valley Road
Cleveland, OH 44131-5575

Conexión eléctrica

Para instalar el horno adecuadamente, usted debe determinar el tipo de conexión eléctrica que va a usar y seguir las instrucciones que aquí se proveen para el caso.

- El horno se debe conectar con la tensión y la frecuencia eléctricas correctas según se especifica en la placa de modelo/serie/valores nominales. La placa de modelo/serie/valores nominales está debajo del panel de control en los hornos simples y debajo del panel de control sobre la cavidad del horno superior en los hornos dobles. Vea la siguiente ilustración.



HORNO SIMPLE

A. Placa de modelo/serie/valores nominales

- Los modelos clasificados entre 7,3 y 9,6 kW a 240 V (entre 5,4 y 7,4 kW a 208 V) requieren un circuito de 40 A separado. Los modelos clasificados a 4,8 kW o menos a 240 V (a 3,6 kW o menos a 208 V) requieren un circuito de 20 A separado. Este modelo requiere un circuito separado de 20 A.

- Se recomienda usar un disyuntor.
- Conecte el horno directamente a un cortacircuitos con fusible (o a una caja de cortacircuitos), a través de un cable flexible, blindado o con forro no metálico, de cobre (con alambre a tierra). Consulte la sección "Realizar la conexión del suministro eléctrico" en el Manual del usuario.
- El conducto flexible del horno deberá conectarse directamente a la caja de empalmes.
- Use fusibles a ambos lados de la línea.
- No corte el conducto. La longitud del conducto provisto es para permitir darle servicio al horno.
- Deberá proveerse un conector de conducto que esté en la lista de UL o aprobado por CSA.
- Si la casa tiene cableado de aluminio, siga el procedimiento a continuación:

Conecte el cableado de aluminio usando conectores especiales y/o herramientas diseñadas y de la lista de UL para unir el cobre al aluminio.

Siga el procedimiento recomendado por el fabricante del conector eléctrico. La conexión de cobre/aluminio deberá hacerse en conformidad con los códigos locales y las prácticas de cableado aceptadas por la industria.