

**NEW**  
Preliminary

# Whirlpool® 30" Combo Wall Oven WOC95ECA

## KEY FEATURES

- 30" Combination Microwave-Wall Oven
- New Whirlpool® Design

## OVEN FEATURES

- True Convection System with Convection Conversion
- 5.0 cu. ft. Oven Capacity
- AccuBake® Temperature Management System
- Traditional Self-Clean System
- SteamClean Option
- Hidden Bake

## MICROWAVE FEATURES

- Sensor Cooking
- 1.4 cu. ft. Capacity
- Stainless Steel Cavity
- 900 Watts

## COLORS

White(W)



Black(B)



Stainless Steel(S)



Black w/Silver Handle(E)



White w/Silver Handle(H)





# Whirlpool® 30" Combo Wall Oven WOC95ECO A

## SPECIFICATIONS

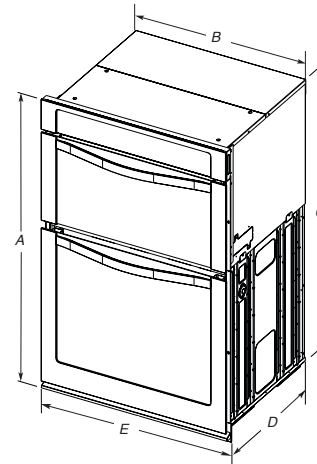
MODEL #	WOC95ECO A
TRANSITIONED FROM MODEL #	GSC309PV
FEATURES (UPPER)	
Microwave Oven Capacity (cu. Ft.)	1.4
Microwave Oven Cavity Size (in.)	8.25 in. H x 16.5 in. W x 17.75 in. D
Diameter of Turntable (in.)	14 1/8
Microwave Wattage	900
Convection	Yes
Sensor Cooking	Yes
Inverter TE	Yes
FEATURES (LOWER)	
Capacity (cu. ft.)	5.0
Self-Cleaning	Yes with Steam Clean
Rack Configuration	3 Racks with Integrated Handles
True Convection	Yes
GENERAL OVEN FEATURES	
Bake Element (Watts) @ 240/208 V	2800/2427
Broil Element (Watts) @ 240/208 V	3600/3120
Broil Passes	8
Oven Cavity Size (in.)	18 in. H x 25 in. W x 19 in. D
AccuBake® Temperature Management System	Yes
Hidden Bake	Yes
Delay Bake	Yes
Sabbath Mode	Yes
Closed Door Broiling	Yes
Rapid Pre-heat	Yes
Rack Positions	6
Control Type	Membrane
Oven Controls Display Type	VFD
Oven Controls Display Color	Blue / Red
Oven Light(s)	2 Incandescent
SPECIFICATIONS	
Power Supply Connection Location	3" Below Support Platform on Left or Right Hand side
Sales Demo Mode	Yes
Circuit (amps)	40
Approx. Shipping Weight (lbs.)	235
Handle Type	Metal
COLORS	
	W, B, S, E, H

W=White, B=Black, S=Stainless Steel,  
E=Black w/Silver Handle, H=White w/Silver Handle

## DIMENSIONS

### PRODUCT DIMENSIONS

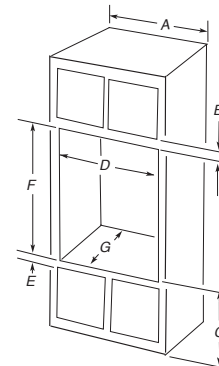
30" (76.2 cm) Ovens



**30" (76.2 cm) models**  
 A. 42 3/8" (108.0 cm) overall height  
 B. 28 1/2" (72.3 cm) recessed width  
 C. 41" (104.1 cm) recessed height  
 D. 23 1/2" (59.1 cm) max. recessed depth  
 E. 30" (76.2 cm) overall width

### CABINET DIMENSIONS

30" (76.2 cm) Ovens



**30" (76.2 cm) models**  
 A. 30" (76.2 cm) min. cabinet width  
 B. 1" (2.5 cm) top of cutout to bottom of upper cabinet door  
 C. 19 1/2" (48.9 cm) bottom of cutout to floor  
 D. 28 1/2" (72.4 cm) cutout width  
 E. 1 1/2" (3.8 cm) min. bottom of cutout to top of cabinet door  
 F. 41 3/8" (105.6 cm) recommended cutout height  
 G. 24" (60.7 cm) cutout depth

\*NOTE: The cabinet height can be between 41" (104.1 cm) and 41 1/2" (105.6 cm) for double ovens.

CUTOUT DIMENSIONS		
Height		41 to 41 1/2
Width		28 1/2
Depth		24
Bottom of cutout to floor (in-wall)		19 1/4
PRODUCT DIMENSIONS		
Height		42 9/16
Width		30
Depth		26 3/8
Depth with door open 90 degrees		46 3/4

All dimensions are shown in inches.

Dimensions are for planning purposes only.  
 For complete details, see Installation Instructions packed with product.  
 Specifications subject to change without notice.