



## Whirlpool® 5.8 cu. ft. Smart Slide-in Gas Range with Air Fry, when Connected

WEG750H0HV

### Available Finishes/Colours

<input type="checkbox"/> WEG750H0HW White	<input type="checkbox"/> WEG750H0HB Black
<input type="checkbox"/> WEG750H0HZ FingerPrint Resistant Stainless Steel	<input type="checkbox"/> WEG750H0HV Black Stainless

Cut out routine steps and get the right settings every time with this slide-in gas range. Send Yummy® Guided Cooking instructions directly to the smart range or use Scan-to-Cook technology to start cooking frozen foods in the self-cleaning oven using your smartphone or tablet. The stove's touchscreen provides instant access to settings your family uses most, too.

### Top Features

Smart appliance

Scan-to-Cook technology (US Only)

Automatic Feature Updates

### Manuals & Literature:

- [Dimension Guide](#) [Installation Guide](#)
- [Owner Manual](#) [Warranty Information](#)

Dimensions		Electrical	
Depth	28.63	Amps	15
Height	36.0	Power Cord Included	Yes
Width	29.88	Volts	120
		Hz	60

### Compatibility

Connectivity	WiFi; App; Remote Access; Voice Controlled
Works With	Amazon Alexa; Android; Google Assistant; iOS

### Exterior

Handle Color	Black Stainless
Handle Material	Metal
Handle Type	Reach Through Handle
Door Removable	Yes
Drawer Type	Storage Drawer

### Specifications

Country Of Origin	USA
Optional Accessories	W11123246
Dishwasher Safe	Yes
Matte Finish Vs Satin Finish	Matte Finish
Cast Iron Vs Porecelain Grates	Porcelain Coated Grates

### Features

Automatic Convection Conversion Temperature Adjust	Yes
Griddle	Yes
Heating Element On Indicator Light	No

# Whirlpool® 30" (76.2 cm) Slide-In Gas Range Installation Instructions

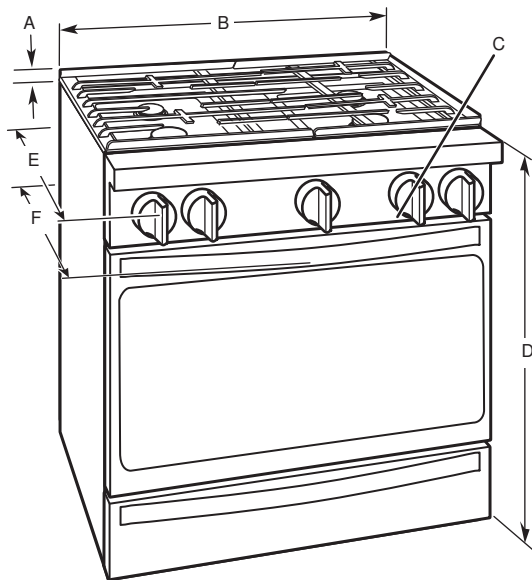
## PRODUCT MODEL NUMBERS

WEG750H0H

## Product Dimensions

These instructions cover several models. Your model may appear different from the models depicted. Dimensions given are maximum dimensions across all models.

### Model WEG750



- A. 1<sup>3</sup>/<sub>16</sub>" (3.0 cm) height from cooktop to top of vent
- B. 29<sup>7</sup>/<sub>8</sub>" (75.9 cm)
- C. Model/serial/rating plate (located behind the oven door on the top right-hand side of the oven frame)
- D. 36" (91.4 cm) height to top of cooktop edge with leveling legs screwed in all the way\*
- E. 27" (68.8 cm) max. depth from front of console to back of range
- F. 28<sup>5</sup>/<sub>8</sub>" (72.7 cm) max. depth from handle to back of range

**IMPORTANT:** Range must be level after installation. Follow the instructions in the "Level Range" section. Using the cooktop as a reference for leveling the range is not recommended.

\* Range can be raised approximately 1" (2.5 cm) by adjusting the leveling legs.

## Cabinet Dimensions

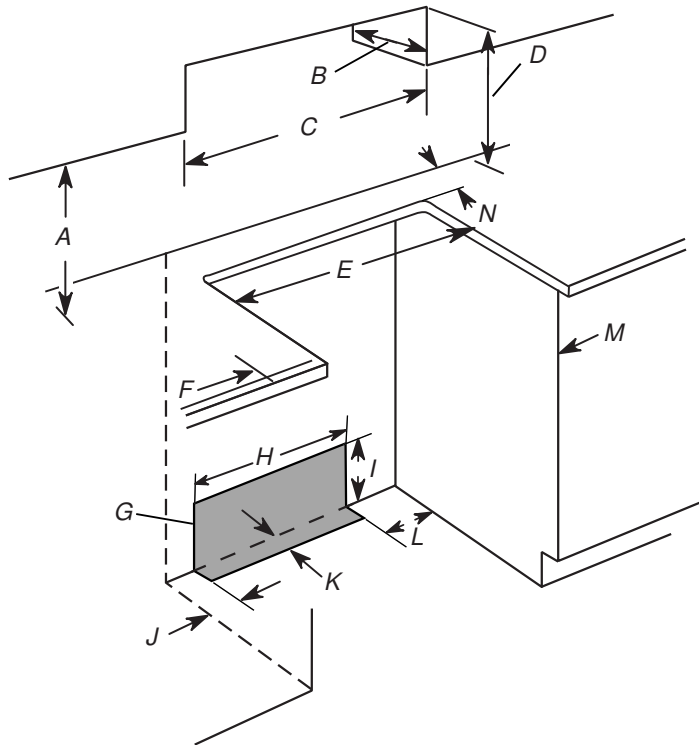
Cabinet opening dimensions shown are for 25" (64.0 cm) countertop depth, 24" (61.0 cm) base cabinet depth, and 36" (91.4 cm) countertop height.

**IMPORTANT:** If installing a range hood or microwave hood combination above the range, follow the range hood or microwave hood combination installation instructions for dimensional clearances above the cooktop surface.

Range may be installed next to combustible walls with zero clearance.

**NOTE:** When installed in a slide-in cutout, the front of oven door may protrude beyond the base cabinet.

## Slide-In Cutout



- A. 18" (45.7 cm) upper side cabinet to countertop
- B. 13" (33 cm) max. upper cabinet depth
- C. 30" (76.2 cm) min. opening width
- D. For minimum clearance to top of cooktop, see NOTE\*.
- E. 30" (76.2 cm) min. opening width
- F. 3" (7.6 cm) min. clearance from both sides of range to side wall or other combustible material
- G. The shaded area is recommended for installation of rigid gas pipe and grounded outlet.
- H. 13<sup>1</sup>/<sub>8</sub>" (33.3 cm)
- I. 7<sup>1</sup>/<sub>16</sub>" (19.5 cm)
- J. 4<sup>13</sup>/<sub>16</sub>" (12.2 cm)
- K. 3<sup>11</sup>/<sub>16</sub>" (9.4 cm) plus measurement of N
- L. 12" (30.5 cm)
- M. Cabinet door or hinges should not extend into the cutout.
- N. Remaining counter depth should not exceed 2<sup>1</sup>/<sub>4</sub>" (5.7 cm)

\* **NOTE:** 24" (61.0 cm) minimum when bottom of wood or metal cabinet is shielded by not less than 1/4" (6.4 mm) flame retardant millboard covered with not less than No. 28 MSG sheet steel, 0.015" (0.4 mm) stainless steel, 0.024" (0.6 mm) aluminum or 0.020" (0.5 mm) copper. 30" (76.2 cm) minimum clearance between the top of the cooking platform and the bottom of an uncovered wood or metal cabinet.

## ELECTRICAL REQUIREMENTS

A 120 volt, 60 Hz., AC only, 15-amp fused, ground and polarized electrical circuit is required. A time-delay fuse or circuit breaker is also recommended. It is recommended that a separate circuit serving only this range be provided.

Electronic ignition systems operate within wide voltage limits, but proper grounding and polarity are necessary. Check that the outlet provides 120-volt power and is correctly grounded.

## GAS SUPPLY REQUIREMENTS

### Gas Supply Line

Provide a gas supply line of 3/4" (19 mm) rigid pipe to the range location. A smaller size pipe on longer runs may result in insufficient gas supply. With propane gas, piping or tubing size can be 1/2" (13 mm) minimum. Usually, propane gas suppliers determine the size and materials used in the system.

**NOTE:** Pipe-joint compounds that resist the action of propane gas must be used. Do not use TEFLON<sup>†</sup> tape.

### Flexible Metal Appliance Connector:

If local codes permit, a new CSA design-certified, 4 to 5 ft (122 to 152.4 cm) long, 1/2" or 3/4" (13 or 19 mm) I.D. (inside diameter), flexible metal appliance connector may be used for connecting range to the gas supply line.

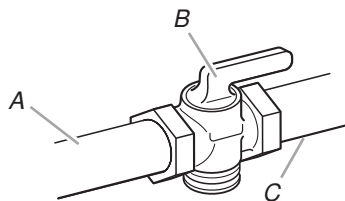


A 1/2" (13 mm) male pipe thread is needed for connection to the female pipe threads of the inlet to the appliance pressure regulator.

Do not kink or damage the flexible metal tubing when moving the range.

Must include a shut-off valve:

Install a manual gas line shut-off valve in an easily accessible location. Do not block access to shut-off valve. The valve is for turning on or shutting off gas to the cooktop.



- A. Gas supply line
- B. Shut-off valve open position
- C. To range

## Gas Pressure Regulator

The gas pressure regulator supplied with this range must be used. The inlet pressure to the regulator should be as follows for proper operation:

### Natural Gas:

Minimum pressure: 6" (15.2 cm) WCP

Maximum pressure: 14" (35.6 cm) WCP

### Propane Gas:

Minimum pressure: 11" (27.9 cm) WCP

Maximum pressure: 14" (35.6 cm) WCP

Contact local gas supplier if you are not sure about the inlet pressure.

<sup>†</sup>TEFLON is a registered trademark of Chemours.