

JENN-AIR® 36" (91.4 CM) ACCOLADE®
DOWNDRAFT VENTILATION SYSTEM
SYSTÈME D'EXTRACTION PAR LE BAS JENN-AIR®
ACCOLADE® DE 36" (91,4 CM)

Installation Instructions and Use & Care Guide

For questions about features, operation/performance, parts, accessories, or service in the U.S.A., call:

1-800-JENNAIR (1-800-536-6247) or visit our website at www.jennair.com.

In Canada, call: **1-800-JENNAIR (1-800-536-6247)**, or visit our website at www.jennair.ca.

Instructions d'installation et Guide d'utilisation et d'entretien

Au Canada, pour assistance, installation ou service, composez le **1-800-JENNAIR (1-800-536-6247)** ou visitez notre site web à www.jennair.ca.

Table of Contents/Table des matières 2

**IMPORTANT: READ AND SAVE THESE INSTRUCTIONS.
FOR RESIDENTIAL USE ONLY.**

**IMPORTANT : LIRE ET CONSERVER CES INSTRUCTIONS.
POUR UTILISATION RÉSIDENIELLE UNIQUEMENT.**

JENN-AIR®

LIB0057678/W10526413D

TABLE OF CONTENTS

VENT SYSTEM SAFETY	3
INSTALLATION REQUIREMENTS	5
Tools and Parts	5
Location Requirements	5
Electrical Requirements	7
Venting Requirements.....	7
INSTALLATION INSTRUCTIONS	8
Venting Methods	8
Downdraft Vent System Preparation	9
Install Downdraft Vent System.....	10
Install Downdraft Vent In-Line (External Type)	
Blower Motor.....	10
Make Electrical Connections for In-Line	
Blower Motor System	12
Complete Installation	13
Grounding Instructions.....	13
DOWNDRAFT VENT SYSTEM USE	14
Operating Downdraft Vent System.....	14
VENT SYSTEM CARE	16
Surface of Downdraft Vent.....	16
Glass.....	16
Filters	16
Changing the Remote Batteries.....	16
USER SERVICING INSTRUCTIONS	17
Replacing the Fuse	17
WIRING DIAGRAM	18
ASSISTANCE OR SERVICE	19
In the U.S.A.	19
In Canada	19
Accessories.....	19
WARRANTY	20

TABLE DES MATIÈRES

SÉCURITÉ DU SYSTÈME DE VENTILATION	21
EXIGENCES D'INSTALLATION	23
Outillage et pièces	23
Exigences d'emplacement.....	23
Spécifications électriques	25
Exigences concernant l'évacuation	25
INSTRUCTIONS D'INSTALLATION	26
Méthodes d'évacuation.....	26
Préparation du système d'extraction par le bas.....	27
Installation du système d'extraction par le bas	28
Installation du système de ventilation en ligne	
(type externe) pour le système d'extraction par le bas	29
Réalisation des connexions électriques du système	
de ventilation en ligne.....	31
Achever l'installation	32
Instructions de liaison à la terre	32
UTILISATION DU SYSTÈME D'EXTRACTION PAR LE BAS	33
Fonctionnement du système d'extraction par le bas	33
ENTRETIEN DU SYSTÈME D'EXTRACTION	35
Surface du système d'extraction par le bas	35
Vitre.....	35
Filtres	35
Remplacement des piles de la télécommande	35
INSTRUCTIONS DE DÉPANNAGE POUR L'UTILISATEUR	36
Remplacement du fusible	36
SCHÉMA DE CÂBLAGE	37
ASSISTANCE OU SERVICE	38
Au Canada	38
Accessoires	38
GARANTIE	39

VENT SYSTEM SAFETY

Your safety and the safety of others are very important.

We have provided many important safety messages in this manual and on your appliance. Always read and obey all safety messages.



This is the safety alert symbol.

This symbol alerts you to potential hazards that can kill or hurt you and others.

All safety messages will follow the safety alert symbol and either the word "DANGER" or "WARNING."

These words mean:

! DANGER

You can be killed or seriously injured if you don't immediately follow instructions.

! WARNING

You can be killed or seriously injured if you don't follow instructions.

All safety messages will tell you what the potential hazard is, tell you how to reduce the chance of injury, and tell you what can happen if the instructions are not followed.

State of California Proposition 65 Warnings:

WARNING: This product contains one or more chemicals known to the State of California to cause cancer.

WARNING: This product contains one or more chemicals known to the State of California to cause birth defects or other reproductive harm.

IMPORTANT SAFETY INSTRUCTIONS

WARNING: TO REDUCE THE RISK OF FIRE, ELECTRIC SHOCK, OR INJURY TO PERSONS, OBSERVE THE FOLLOWING:

- Use this unit only in the manner intended by the manufacturer. If you have questions, contact the manufacturer.
- Before servicing or cleaning the unit, switch power off at service panel and lock the service disconnecting means to prevent power from being switched on accidentally. When the service disconnecting means cannot be locked, securely fasten a prominent warning device, such as a tag, to the service panel.
- Installation work and electrical wiring must be done by qualified person(s) in accordance with all applicable codes and standards, including fire-rated construction.
- Do not operate any fan with a damaged cord or plug. Discard fan or return to an authorized service facility for examination and/or repair.
- Sufficient air is needed for proper combustion and exhausting of gases through the flue (chimney) of fuel burning equipment to prevent backdrafting. Follow the heating equipment manufacturer's guideline and safety standards such as those published by the National Fire Protection Association (NFPA), the American Society for Heating, Refrigeration and Air Conditioning Engineers (ASHRAE), and the local code authorities.
- When cutting or drilling into wall or ceiling, do not damage electrical wiring and other hidden utilities.
- Ducted fans must always be vented outdoors.

CAUTION: For general ventilating use only. Do not use to exhaust hazardous or explosive materials and vapors.

CAUTION: To reduce risk of fire and to properly exhaust air, be sure to duct air outside - do not vent exhaust air into spaces within walls or ceilings, attics or into crawl spaces, or garages.

WARNING: TO REDUCE THE RISK OF FIRE, USE ONLY METAL DUCTWORK.

WARNING: TO REDUCE THE RISK OF A RANGE TOP GREASE FIRE:

- Never leave surface units unattended at high settings. Boilovers cause smoking and greasy spillovers that may ignite. Heat oils slowly on low or medium settings.
- Always turn hood ON when cooking at high heat or when flambeing food (i.e. Crepes Suzette, Cherries Jubilee, Peppercorn Beef Flambé).
- Clean ventilating fans frequently. Grease should not be allowed to accumulate on fan or filter.
- Use proper pan size. Always use cookware appropriate for the size of the surface element.

WARNING: TO REDUCE THE RISK OF INJURY TO PERSONS IN THE EVENT OF A RANGE TOP GREASE FIRE, OBSERVE THE FOLLOWING:^a

- SMOTHER FLAMES with a close fitting lid, cookie sheet, or metal tray, then turn off the burner. BE CAREFUL TO PREVENT BURNS. If the flames do not go out immediately, EVACUATE AND CALL THE FIRE DEPARTMENT.
- NEVER PICK UP A FLAMING PAN - you may be burned.
- DO NOT USE WATER, including wet dishcloths or towels - a violent steam explosion will result.
- Use an extinguisher ONLY if:
 - You know you have a class ABC extinguisher, and you already know how to operate it.
 - The fire is small and contained in the area where it started.
 - The fire department is being called.
 - You can fight the fire with your back to an exit.

^aBased on "Kitchen Fire Safety Tips" published by NFPA.

- **WARNING:** To reduce the risk of fire or electrical shock, do not use this fan with any solid-state speed control device.

READ AND SAVE THESE INSTRUCTIONS

INSTALLATION REQUIREMENTS

Tools and Parts

Gather the required tools and parts before starting installation. Read and follow the instructions provided with any tools listed here.

Tools Needed

- Jigsaw or keyhole saw
- Drill
- 3/16" (5 mm) drill bit for pilot holes
- Pencil
- Tape measure or ruler
- 1/8" Flat-blade screwdriver
- Phillips screwdriver
- 1/2" and 9/16" Open-end wrenches or adjustable wrench
- 1 1/4" (32 mm) drill bit
- Level
- Metal snips
- Wire stripper or utility knife
- Caulking gun and weatherproof caulking compound

Parts Supplied

- Remote control with batteries
- 2 - Grease filters
- Top frame
- Frame support
- 12 - 4 x 10 mm flat-head screws
- 10" (25.4 cm) diameter vent collar
- Vent collar mounting frame (attached)
- Remote up/down switch
- 4 - Cable tie mounting bases
- 4 - Cable ties
- Curved glass panel
- 4 - Leveler feet with nuts
- 2 - Undercounter mounting brackets
- 8 - 5 mm x 12 mm pan-head screws
- 6 - 4 x 20 mm wood screws

Parts Needed

- UL listed or CSA approved 1/2" (12.7 mm) conduit connector
- Wall or roof cap with damper to match vent system
- Vent system
- Wiring cable for remote blower kit
- Vent clamps/duct tape
- Blower motor system (see the "Accessories" section for information on ordering)

Location Requirements

NOTE: Downdraft vent is installed directly behind the cooktop. For ease of installation, install the downdraft vent system first, and then install the cooktop.

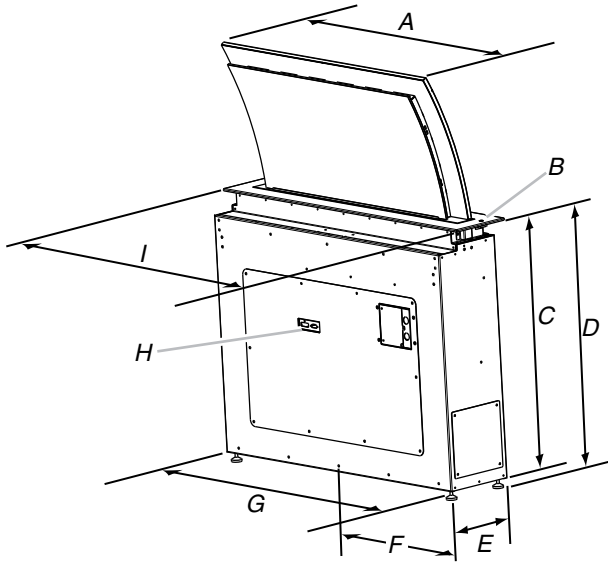
IMPORTANT: Observe all governing codes and ordinances.

- Have a qualified technician install the downdraft vent. It is the installer's responsibility to comply with installation clearances specified on the model/serial/rating plate. The model/serial/rating plate is located on the front of the downdraft vent.
- Downdraft vent location should be away from strong draft areas, such as windows, doors, and strong heating vents or fans.
- Cabinet opening dimensions that are shown must be used. Given dimensions provide minimum clearance.
- Consult the cooktop manufacturer Installation Instructions before making any cutouts.
 - Check that the downdraft vent and cooktop location will clear the cabinet walls, backsplash, and rear wall studs inside the cabinet.
 - Check for the minimum distance between the front edge of the countertop and the front edge of the cooktop. The minimum horizontal distance between the overhead cabinets is the same as the width of the installed downdraft vent.
- All openings in ceiling and wall where the downdraft vent will be installed must be sealed.
- Grounded electrical outlet is required. See "Electrical Requirements" section.

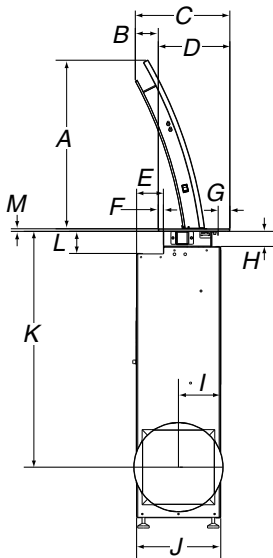
For Mobile Home Installations

The installation of this downdraft vent must conform to the Manufactured Home Construction Safety Standards, Title 24 CFR, Part 328 (formerly the Federal Standard for Mobile Home Construction and Safety, title 24, HUD, Part 280) or when such standard is not applicable, the standard for Manufactured Home Installation 1982 (Manufactured Home Sites, Communities and Setups) ANSI A225.1/NFPA 501A, or latest edition, or with local codes.

Product Dimensions

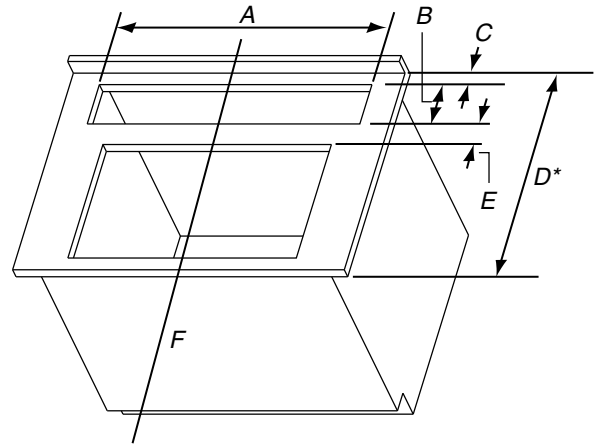


- | | |
|---|------------------------------------|
| A. 35 1/4" (89.5 cm) | F. Centerline of bottom vent area |
| B. Infrared remote sensor | G. 39 1/4" (99.7 cm) |
| C. 29 1/16" (76.0 cm) | H. Remote up/down switch connector |
| D. 33" (83.8 cm) min., 38 1/2" (97.8 cm) max. | I. 40 3/4" (103.5 cm) |
| E. 9 1/4" (23.5 cm) | |



- | | |
|----------------------|---------------------|
| A. 18 1/2" (47.0 cm) | H. 1 5/8" (4.1 cm) |
| B. 2 1/2" (6.4 cm) | I. 4 5/8" (11.7 cm) |
| C. 10 3/8" (26.4 cm) | J. 9 1/4" (23.5 cm) |
| D. 7 7/8" (20.0 cm) | K. 26" (66.0 cm) |
| E. 3" (7.6 cm) | L. 2 7/16" (6.2 cm) |
| F. 1/2" (1.3 cm) | M. 5/16" (0.8 cm) |
| G. 1 5/16" (3.3 cm) | |

Cabinet Dimensions



- | |
|---|
| A. 39 7/16" (100.2 cm) |
| B. 6 1/16" (17.0 cm) |
| C. 2" (5.1 cm) min. to back wall |
| D. Minimum countertop depth. See IMPORTANT*. |
| E. 3 1/2" (8.9 cm) min. |
| F. Centerline of cooktop and downdraft ventilation system |

***IMPORTANT:** Cabinet and countertop depths are determined by the cooking appliances to be used with this downdraft vent system.

NOTES:

- See appliance manufacturer's installation instructions for cooking appliances dimensional cutout requirements.
- Exterior-mounted blower systems connect with 10" (25.4 cm) round vent. The cutout locations for this vent system will depend upon your specific installation.
- Use the dimensions for the vent system cutout location that apply to your installation.

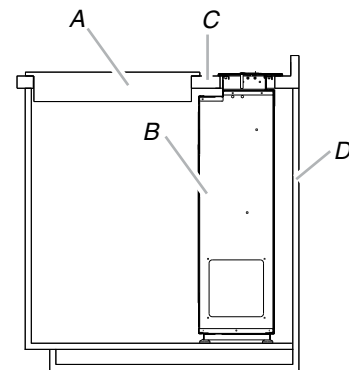
Countertop Cutout Dimensions

IMPORTANT: Countertops with a bull-nosed front edge are not recommended for these installations.

Cabinet and countertop depths requirements may be deeper than 38" (96.5 cm). This depth is determined by the cooking appliances being installed with this downdraft vent system.

To avoid mistakes, it is recommended that the cooktop and vent cutouts be drawn on the countertop before making any cutouts.

See cooking appliance Installation Instructions for complete cutout dimensions, location dimensions and installation details.



- | |
|--------------------------|
| A. Cooktop |
| B. Downdraft vent system |
| C. Countertop |
| D. Back wall of cabinet |

Electrical Requirements

Observe all governing codes and ordinances.

Ensure that the electrical installation is adequate and in conformance with National Electrical Code, ANSI/NFPA 70 (latest edition), or CSA Standards C22.1-94, Canadian Electrical Code, Part 1 and C22.2 No. 0-M91 (latest edition) and all local codes and ordinances.

If codes permit and a separate ground wire is used, it is recommended that a qualified electrician determine that the ground path is adequate.

A copy of the above code standards can be obtained from:

National Fire Protection Association
1 Batterymarch Park
Quincy, MA 02169-7471

CSA International
8501 East Pleasant Valley Road
Cleveland, OH 44131-5575

- A 120 volt, 60 Hz., AC only, 15-amp, fused electrical circuit is required.
- If the house has aluminum wiring, follow the procedure below:
 1. Connect a section of solid copper wire to the pigtail leads.
 2. Connect the aluminum wiring to the added section of copper wire using special connectors and/or tools designed and UL listed for joining copper to aluminum.

Follow the electrical connector manufacturer's recommended procedure. Aluminum/copper connection must conform with local codes and industry accepted wiring practices.

- Wire sizes and connections must conform with the rating of the appliance as specified on the model/serial/rating plate. The model/serial/rating plate is located on the front of the downdraft vent.
- Wire sizes must conform to the requirements of the National Electrical Code, ANSI/NFPA 70 (latest edition), or CSA Standards C22.1-94, Canadian Electrical Code, Part 1 and C22.2 No. 0-M91 (latest edition) and all local codes and ordinances.

Venting Requirements

IMPORTANT: Make sure there is proper clearance within the wall or floor before making exhaust vent cutouts.

- Use heavy (rigid) metal vent.
- Venting system must terminate to the outside.
- Do not terminate the vent system in an attic or other enclosed area.
- Do not use 4" (10.2 cm) laundry-type wall caps.
- Do not install 2 elbows together.
- Do not use plastic or metal foil vent.
- The length of vent system and number of elbows should be kept to a minimum to provide efficient performance.
- Use no more than three 90° elbows
- Make sure there is a minimum of 24" (61 cm) of straight vent between the elbows if more than one elbow is used.
- Use clamps or duct tape to seal all joints in the vent system.
- Use caulking tape to seal the exterior wall or floor opening around cap.
- Do not cut joist or stud. If vent cutout falls over a joist or stud, a supporting frame must be constructed.

Flexible metal vent is not recommended. If it is used, calculate each foot of flexible vent as 2 ft (0.6 m) of rigid metal vent.

Flexible elbows count twice as much as standard elbows.

Recommended Vent System Length:

The vent system length should not exceed the maximum lengths listed in the Maximum Length of Vent System chart. See "Calculating Vent System Length" in the "Venting Methods" section in the Installation Instructions for the interior- or exterior-mounted vent motor.

Cold Weather Installations

An additional back draft damper should be installed to minimize backward cold air flow and a thermal break should be installed to minimize conduction of outside temperatures as part of the vent system. The damper should be on the cold air side of the thermal break.

The break should be as close as possible to where the vent system enters the heated portion of the house.

Makeup Air

Local building codes may require the use of makeup air systems when using ventilation systems greater than specified CFM of air movement. The specified CFM varies from locale to locale. Consult your HVAC professional for specific requirements in your area.

See the "Accessories" section for information on ordering optional kits.

INSTALLATION INSTRUCTIONS

NOTE: Your downdraft vent requires you to purchase an in-line (external type) blower motor system. See “Blower Motor System” in the “Accessories” section.

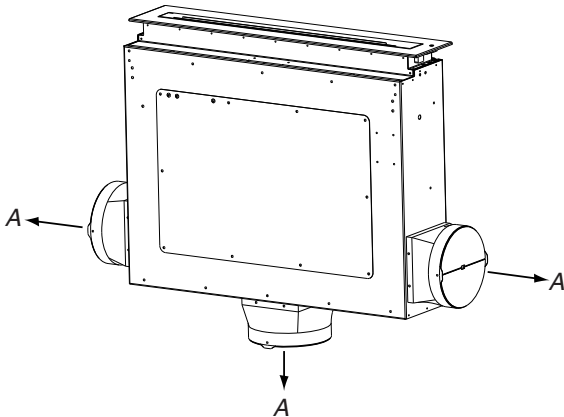
CAUTION: To reduce the risk of fire and electrical shock, install the downdraft only with remote blower systems that are sold by Whirlpool Corporation. Model numbers UXI0600DYS (600 cfm) and UXI1200DYS (1200 cfm).

Venting Methods

Determine which venting method is best for your application. Vent system can terminate through the wall or roof. A wall cap or roof cap is required.

NOTES:

- Venting through a concrete slab is not recommended.
- The in-line blower motor system must be placed in an enclosed area and can be located in a utility room, basement, crawl space or attic. Observe all governing codes and ordinances.
- 10" (25.4 cm) round vent duct is required for connections to the retractable downdraft vent system outlet cover and the remote blower motor inlet and outlet covers. 10" (25.4 cm) round vent duct is recommended for the retractable downdraft vent system with remote blower motor system. Transitioning to different size ducting will reduce the efficiency of the retractable downdraft vent system.



A. Three options for exhaust direction to remote blower motor system

Calculating Vent System Length

It is recommended that you use round vent instead of rectangular vent, especially if elbows are required. If rectangular vent is required, it should be transitioned to 10" (25.4 cm) round vent as soon as possible.

Maximum Length of Vent System

Vent	Length
10" (25.4 cm) round	60 ft (18.3 m)

To calculate the length of the system you need, add the equivalent feet (meters) for each vent piece used in the system.

Vent Piece	10" (25.4 cm) Round	
45° elbow	2.5 ft (0.8 m)	
90° elbow	5.0 ft (1.5 m)	

The maximum equivalent vent lengths of 10" (25.4 cm) round vents - 60 ft (18.3 m).

2 - 90° elbows	= 10.0 ft (3 m)
10 ft (3 m) straight	= 10.0 ft (3 m)
Length of 10" (25.4 cm) system	= 20 ft (6 m)

NOTE: The remote blower system requires a separate wiring cable that should be installed at the same time the vent work is installed.

Downdraft Vent System Preparation

NOTE: It is easiest to install this unit before the countertop is installed. The preferred method of installation is inserting this unit into the cabinet and then placing the countertop over it.

WARNING

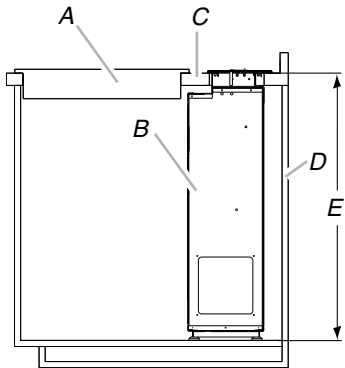
Excessive Weight Hazard

Use two or more people to move and install downdraft vent.

Failure to do so can result in back or other injury.

1. Place cardboard or similar material on top of a flat surface where you can easily assemble the downdraft vent system.
2. Open the wooden crate by removing the screws holding the top in position.
3. Remove the parts packages from the wood crate and set aside.
4. Remove the downdraft vent system from the wooden crate and place on assembly surface with the access panel/ junction box facing up.
5. Measure the distance "E" from the cabinet floor to the top of the countertop.

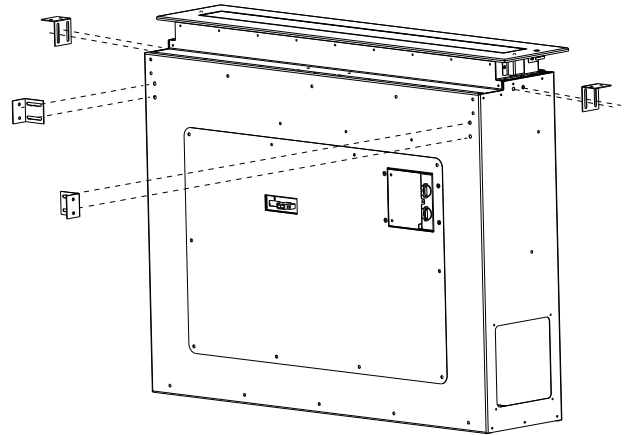
NOTE: Dimension "E" must be 32 $\frac{5}{8}$ " (82.9 cm) minimum or the cabinet floor will have to be removed to allow the hood feet to rest on the floor.



A. Cooktop
B. Downdraft vent system
C. Countertop
D. Back wall of cabinet
E. Cabinet floor to top of countertop

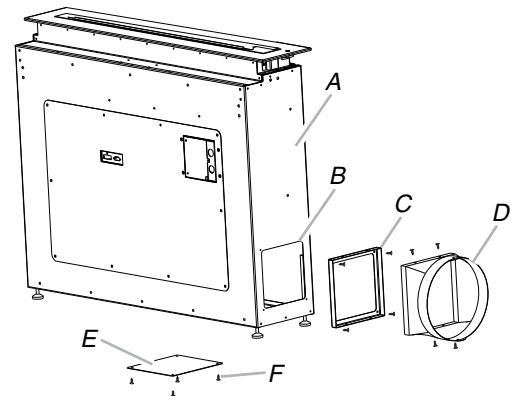
6. Screw in the 4 feet so that the overall height of the unit from the feet to the top is approximately 1" (2.5 cm) less than dimension "E."

7. Install the right and left undercounter mounting brackets to the vent box. The mounting brackets can be mounted to the front or rear face of the downdraft for attachment to the cabinets or to each side face for attachment to the countertop. (See the following illustration.) Loosely secure the screws in the slots with the 4 - 4.9 x 12 mm machine screws.



Vent Collar and Vent Transition Installation

When installed in a cabinet, the vent system can exhaust through the bottom, right side, or left side of the vent box. The downdraft vent system is shipped ready to vent out of the bottom of the vent box. If this is not the desired exhaust direction, complete the following steps.

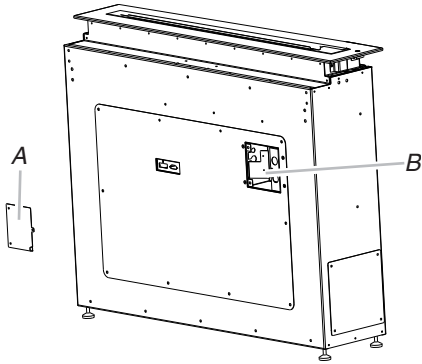


A. Vent box
B. Exhaust port
C. Vent collar mounting frame
D. Vent transition
E. Cover plate
F. Screws

1. Remove cover plate from the desired exhaust port location.
2. Remove vent collar mounting frame from bottom exhaust port location.
3. Install the vent collar mounting frame to the desired vent box exhaust port using the 4 screws.
4. Install the vent transition to the vent collar mounting frame using 4 - 4.9 x 12 mm screws.
5. Install the cover plate to the exhaust port that the vent collar mounting frame was removed from using the 4 screws.

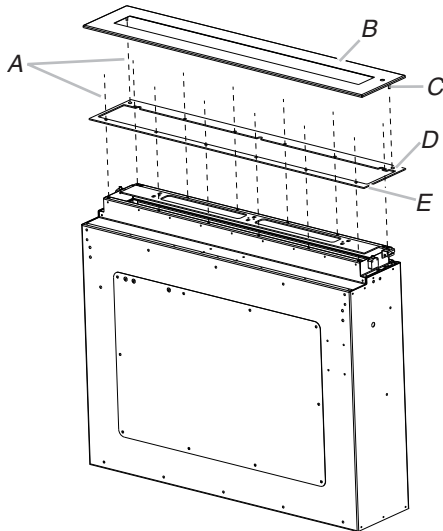
Install Downdraft Vent System

1. Remove the 3 screws from the terminal box cover.



A. Terminal box cover
B. Knockout

2. Remove the knockout from the front panel and install a 1/2" (1.3 cm) UL listed or CSA approved conduit connector.
3. Using 2 or more people, insert the downdraft vent into the cabinet. Position the downdraft vent so that it is approximately centered below the countertop cutout location.
4. If the countertop is not already installed, follow the directions for the countertop installation to place it onto the cabinets.
5. Using a 1/2" wrench, screw out the feet on the vent box to raise the top of the unit until it is flush with the top surface of the countertop.
6. Center and level the top of the downdraft vent left to right and front to back. Use a 9/16" wrench to lock the feet into position with the locknuts.
7. Secure the hood vent box to the countertop or cabinet sides with the undercounter mounting brackets attached earlier at the desired location. If mounting to a countertop, use screws or mounting method recommended for the specific type of countertop.
8. Install the top frame support, using the 12 - 3.9 x 9 mm flat-head screws.
9. Install the top frame.



A. 12 Flat-head screws
B. Top frame
C. Guide pins in top frame
D. Hole for top frame guide pins
E. Top frame support

Install Downdraft Vent In-Line (External Type) Blower Motor

Prepare for Mounting the In-Line Blower System

The in-line blower system must be fastened to a secure structure of the roof, ceiling, wall, floor, or new or existing frame construction. The 4 holes on either the inlet (bottom) side or the outlet (top) side of the blower must be used to mount the in-line blower system to the structure.

NOTE: The mounting hole locations must span the studs. Additional stud framing may be required. Plywood may be used to span open areas between ceiling or floor joists or roof rafters to aid installation. This structure must be strong enough to support the weight of the in-line blower system (50 lb [22.7 kg] min).

Prepare the In-line Blower System

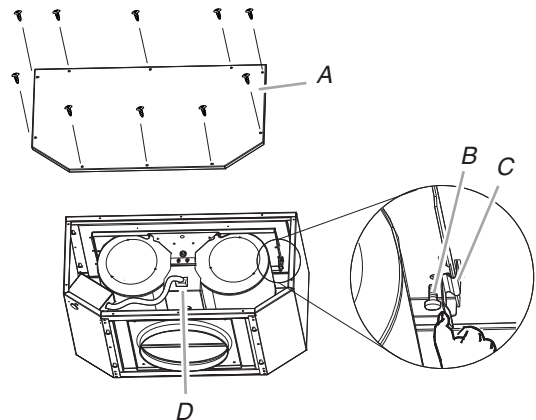
⚠ WARNING

Excessive Weight Hazard

Use two or more people to move and install in-line blower motor system.

Failure to do so can result in back or other injury.

1. Using 2 or more people, move the in-line blower motor system to the mounting location.
2. Remove the 10 screws from the front cover of the in-line blower motor housing and set them aside.
3. Remove the front cover of the in-line blower motor housing and set it aside.
NOTE: To make the blower motor housing easier to mount, the blower motor assembly can be removed. If you do not want to remove the blower motor assembly, proceed to "Install In-line Blower System" in this section.
4. Disconnect the motor electrical plug from the blower motor assembly.
5. Remove the screws that secure the blower motor assembly to the in-line blower housing and set them aside.
6. Pull the spring clip to release the blower motor assembly. Remove the blower motor assembly from the housing and place it on a covered surface.

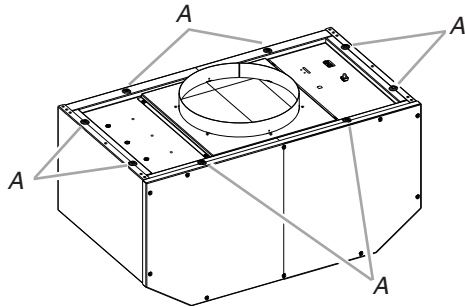


A. Front cover
B. Blower mounting screws
C. Spring clip
D. Motor electrical plug

Install In-line Blower System

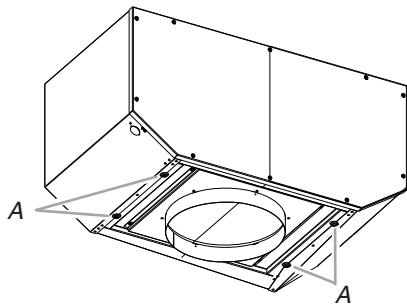
NOTE: The blower motor housing can be mounted using 4 holes from either the inlet side or the outlet side of the blower.

Outlet Side



A. Mounting holes

Inlet Side

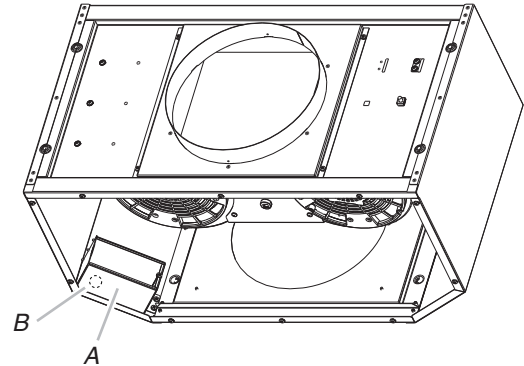


A. Mounting holes

1. Position the in-line blower motor housing in its mounting location and mark the 4 mounting hole locations.
2. Drill 4 mounting pilot holes using a $\frac{3}{16}$ " (4.8 mm) drill bit.
3. Attach the in-line blower motor housing to the mounting location with 4 - 6 x 80 mm mounting screws and washers.
4. If it is removed, reinstall the blower motor assembly and secure it with the screws previously removed.
5. If it is removed, reattach the motor electrical plug to the connector on the blower motor assembly.

Complete Preparation

1. Determine and make all necessary cuts for the vent system.
IMPORTANT: When cutting or drilling into the floor, ceiling or wall, do not damage electrical wiring or other hidden utilities.
2. Determine the location where the $\frac{1}{2}$ " (1.3 cm) wiring conduit will be routed through the floor, ceiling or wall between the in-line blower and the downdraft vent.
3. Drill a $1\frac{1}{4}$ " (3.2 cm) hole at this location.
4. Locate the electrical terminal boxes in the in-line blower housing and downdraft vent. Remove the terminal box covers and set the covers and screws aside.



A. Electrical terminal box
B. Electrical knockout

5. Remove the electrical knockout from the in-line blower housing and downdraft vent to prepare for the installation of the UL listed or CSA approved $\frac{1}{2}$ " (1.3 cm) wiring conduit and conduit connector.
6. With the downdraft vent mounted, run the $\frac{1}{2}$ " (1.3 cm) wiring conduit between the in-line blower motor housing and the downdraft vent. Pull enough $\frac{1}{2}$ " (1.3 cm) wiring conduit to allow for easy connection to the terminal boxes in the in-line blower housing and downdraft vent.
7. Run the six 18 AWG wires through the $\frac{1}{2}$ " (1.3 cm) wiring conduit and conduit connectors and into the terminal boxes on the in-line blower housing and downdraft vent. Leave enough wire length in each terminal box to make the wiring connections.
8. Install the conduit connectors and conduit to the in-line blower housing and downdraft vent electrical terminal boxes.
9. Connect the vent system to the downdraft vent and in-line blower system and seal all joints with clamps.

Make Electrical Connections for In-Line Blower Motor System

⚠ WARNING



Electrical Shock Hazard

Disconnect power before servicing.
Replace all parts and panels before operating.
Failure to do so can result in death or electrical shock.

- Use UL listed wire connectors and connect the gray wires (G) together.

⚠ WARNING



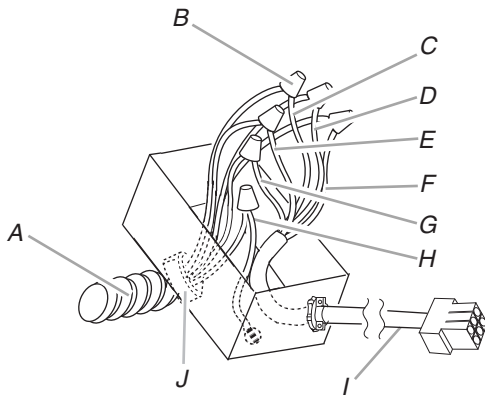
Electrical Shock Hazard

Electrically ground blower.
Connect ground wire to green and yellow ground wire in terminal box.
Failure to do so can result in death or electrical shock.

- Connect the green (or yellow/green) ground wire to the green/yellow ground wire (H) in the terminal box using UL listed wire connectors.
- Reinstall the in-line blower terminal box cover and screw.
- Reinstall the front cover of the in-line blower housing and secure it with 10 mounting screws.

Electrical Connection Inside In-line Blower System

- Disconnect power.
- Connect the wires from the wiring conduit to the wires from the motor electrical plug cable inside the in-line blower housing terminal box.



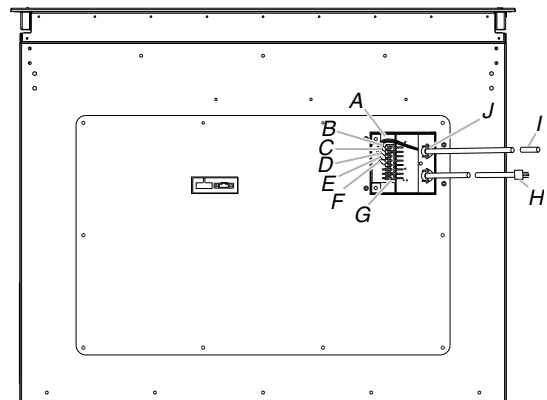
- | | |
|--|---|
| A. UL listed or CSA approved
1/2" (1.3 cm) wiring conduit | F. Blue wires |
| B. UL listed wire connectors | G. Gray wires |
| C. Black wires | H. Green (or yellow/green) and
green/yellow wires |
| D. White wires | I. Motor electrical plug cable |
| E. Red wires | J. UL listed or CSA approved
1/2" (1.3 cm) strain relief |

- Use UL listed wire connectors and connect the black wires (C) together.
- Use UL listed wire connectors and connect the white wires (D) together.
- Use UL listed wire connectors and connect the red wires (E) together.
- Use UL listed wire connectors and connect the blue wires (F) together.

Electrical Connection Inside Downdraft Vent Between In-line Blower System and Downdraft Vent

NOTE: Discard the 6-wire connector assembly supplied with the in-line blower motor system.

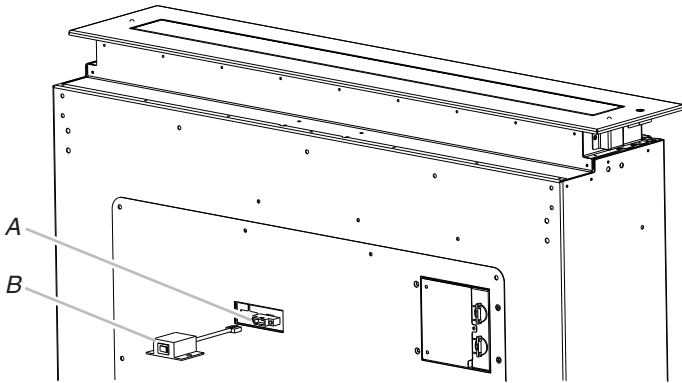
- With the downdraft vent mounted, locate the terminal block inside the downdraft vent junction box.
- Using a small 1/8" flat-blade screwdriver, loosen the screw in the 5 open spots of the terminal block.
- Connect the same color wire from the in-line blower wiring conduit to the same color wires on the terminal block in the downdraft vent junction box (black to black, white to white, etc.).
- Tighten the terminal block screws.



- | | |
|--|--|
| A. Downdraft vent junction box | G. Terminal block |
| B. Black wires | H. Power supply cord |
| C. Gray wires | I. 1/2" (1.3 cm) UL listed or CSA
approved wiring conduit
from in-line blower system |
| D. Red wires | J. 1/2" (1.3 cm) UL listed or CSA
approved conduit connector |
| E. White wires | |
| F. Green (or yellow/green)
and green/yellow wires | |

Complete Installation

1. Plug the optional remote up/down switch into the front panel of the vent box.



A. Remote up/down switch connector
B. Remote up/down switch

2. Use cable tie mounting bases and cable ties to rout the switch wiring to an easily accessible area near the front inside of the cabinet.
3. Use 2 screws to secure the remote up/down switch housing to the cabinet.
4. Connect vent system to blower. Vent system must end with a wall or roof cap. Use clamps or duct tape to seal all joints.

Grounding Instructions

This appliance must be grounded. In the event of an electrical short circuit, grounding reduces the risk of electric shock by providing an escape wire for the electric current. This appliance is equipped with a cord having a grounding wire with a grounding plug. The plug must be plugged into an outlet that is properly installed and grounded.

WARNING: Improper grounding can result in risk of electric shock.

Consult a qualified electrician if the grounding instructions are not completely understood or if doubt exists as to whether the appliance is properly grounded.

Do not use an extension cord. If the power supply cord is too short, have a qualified electrician install an outlet near the appliance.

! WARNING



Electrical Shock Hazard

Plug into a grounded 3 prong outlet.

Do not remove ground prong.

Do not use an adapter.

Do not use an extension cord.

Failure to follow these instructions can result in death, fire, or electrical shock.

NOTE: The grounded 3 prong outlet shall be located below the cooktop surface and cannot be placed in a closed cabinet without any access. Route the power cord beneath the downdraft vent system and away from the heat generated by the cooktop of other appliances.

1. Plug 3 prong power cord into a grounded 3 prong outlet located inside the cabinet where the downdraft vent is mounted.
2. Use the remote control or the remote up/down switch to raise the vent hood. (See the "Remote Control Operation" section.) If the vent hood does not rise, check that the circuit breaker has not tripped or a household fuse blown.
3. Remove packing material.
4. Install filters. See "Filters" in the "Vent System Care" section.
5. Install glass. See "Glass" in the "Vent System Care" section.

DOWNDRAFT VENT SYSTEM USE

The retractable downdraft vent system is designed to remove smoke, cooking vapors and odors from the cooktop area.

- For best results, the vent should be operating before cooking is started.
- If you use large or tall utensils, place them on the large rear element or burner surface.
- A higher heat setting than normally used may be needed when the downdraft vent is operating.
- For gas cooktops, the downdraft vent system may affect the flame stability and cooking performance. To improve the burner performance, either decrease the downdraft vent blower speed or increase the cooktop burner flame setting.
- For gas cooktops with flame sensing ignitions, the downdraft vent system may disperse the flame away from the spark igniter and may cause it to continually spark while trying to reignite a burner that is already lit. To resolve the issue of the cooktop igniter continuously sparking, either decrease the downdraft vent blower speed or increase the cooktop flame setting for that burner.

Operating Downdraft Vent System

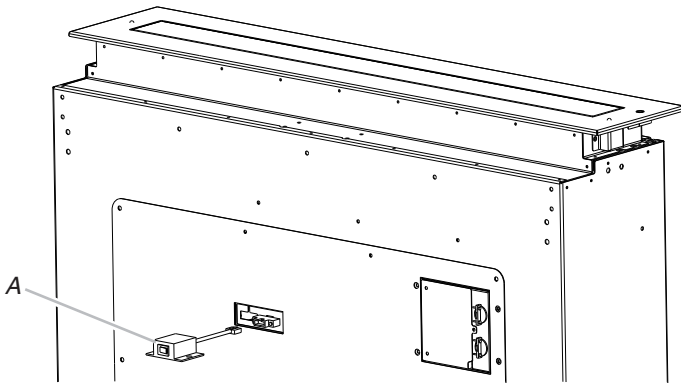
Downdraft Vent System Use:

NOTES:

- The downdraft vent system will not allow the vent hood to be lowered with the glass removed.
- The downdraft vent system comes with a remote up/down switch to be used in conjunction with the downdraft mounted controls and a handheld remote control.

Remote Up/Down Switch

The remote up/down switch is used to raise and lower the vent hood without use of the handheld remote.

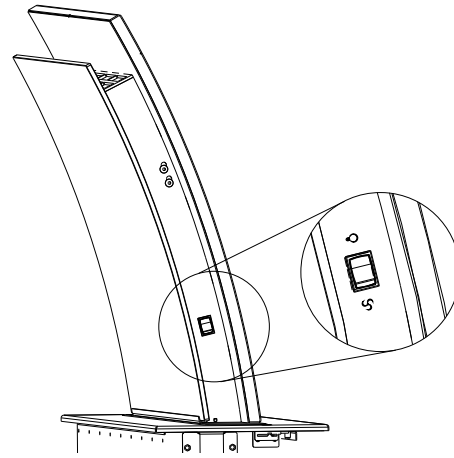


A. Remote up/down switch

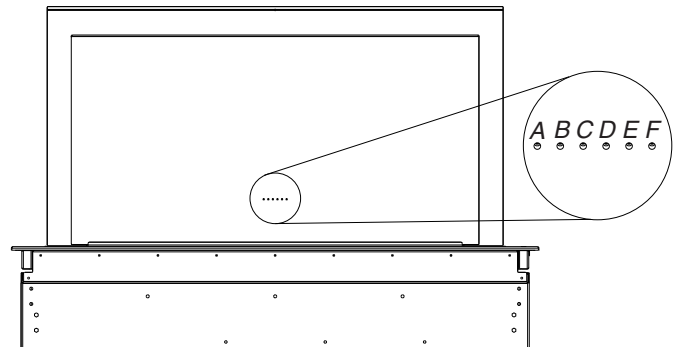
1. Push the remote up/down switch to raise and lower the vent hood. If the fan and lights are On, they will turn Off when the vent hood is being lowered.

Downdraft Mounted Controls

The downdraft mounted controls are used to turn On and control the fan speed and to turn on the base lights without use of the handheld remote.



1. Push the control switch up to turn the base lights On and Off.
2. Push the control switch down to turn On and change the fan speed from 1 to 4, then to Off. The number of fan speed indicator lights increase as the fan speed increases, and all turn off when the fan is Off.

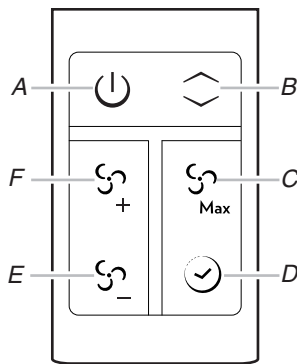


Indicator Lights

- | | |
|-------------------------------------|---------------------------------|
| A. White - auto off timer indicator | D. White - speed 3 |
| B. White - speed 1 (low) | E. White - speed 4 |
| C. White - speed 2 | F. Red - clean filter indicator |

NOTE: The “Clean Filter” indicator comes on after 30 hours of blower operation. See the “Vent System Care” section for filter cleaning requirements. To reset the indicator, press and hold the Speed Increase button on the remote, or the Speed Increase rocker on the right side of the unit, for approximately 7 seconds.

Remote Control Operation



- A. Power on/off
B. Up/down
C. Maximum fan speed
D. Fan auto off
E. Fan speed decrease
F. Fan speed increase

NOTE: The infrared remote (IR) sensor is located on the top right surface of the ventilation system top frame. When the remote communicates with the sensor, there is an audible signal.

Power On/Off

- When hood is in the down position, the On/Off button raises hood, turns on the lights and sets the fan speed to 1 (minimum). One speed indicator light comes on.
- When hood is in the raised position, the On/Off button turns the blower and speed indicator light off.

Up/Down

- The up/down button raises and lowers the hood. The lights and fan turn Off in the down position.

Fan Speed Increase

- Increases fan speed from speed 1 to speed 4. The number of fan speed indicator lights increases as the fan speed increases.

Fan Speed Decrease

- Decreases fan speed from speed 4 to speed 1. The number of fan speed indicator lights decreases as the fan speed decreases.

Maximum Fan Speed

- Turns the fan directly to speed 4 without stepping through speeds 1-3 and turns the indicator lights on to the maximum number.

Auto Off (fan only)

- Steps down (decreases the fan speed) through the speeds to Off (33 minutes to Off from maximum speed). The left indicator light blinks and the fan speed indicator lights turn Off as the fan speeds change.
- Steps down from speed 4 to speed 3 - (3 minutes).
- Steps down from speed 3 to speed 2 - (5 minutes).
- Steps down from speed 2 to speed 1 - (10 minutes).
- Steps down from speed 1 to OFF - (15 minutes).

NOTE: If the remote stops functioning properly, remove the batteries for 1 minute and then reinstall the batteries. (See "Changing the Remote Batteries" in the "Vent System Care" section.) This will reset the remote to its original settings.

If the remote still does not function properly, change the batteries. The remote requires 2 - CR2032 batteries.

VENT SYSTEM CARE

Surface of Downdraft Vent

To avoid damaging the finish, clean downdraft vent with soap and water. Do not use scouring powder or abrasive solutions.

Exterior Surfaces:

To avoid damage to the exterior surface, do not use steel wool or soap-filled scouring pads.

Always wipe dry to avoid water marks.

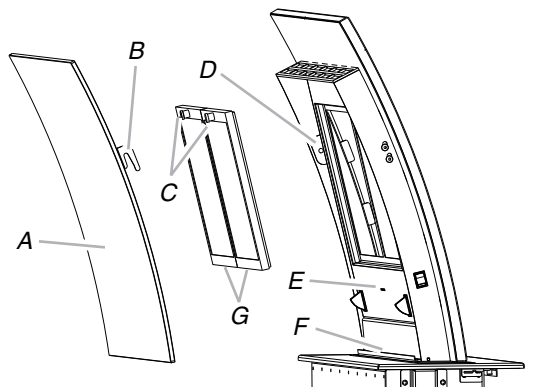
Cleaning Method:

- Liquid detergent soap and water, or all-purpose cleanser
- Wipe with damp soft cloth or nonabrasive sponge, and then rinse with clean water and wipe dry.

Glass

To Remove:

1. The vent hood must be in the raised position. See the "Downdraft Vent System Use" section.
2. Grasp the glass on both sides and pull up to disengage the glass panel hooks from the glass retention pins and bottom channel.



A. Glass panel
B. Hooks - glass panel (2)
C. Filter knobs
D. Glass retention pins (2)
E. Indicator lights
F. Bottom channel
G. Filters (2)

3. Wash both sides of the glass with warm, soapy water or glass cleaner.
4. Wipe the glass with a soft damp cloth or nonabrasive sponge, then rinse with clean water and wipe dry.

To Install:

1. The vent hood must be in the raised position. See the "Downdraft Vent System Use" section.
2. The filters should be installed before replacing the glass. See the "Filters" section.
3. Align the bottom edge of the glass with the bottom channel and attach the hooks over the pins on the vent hood.
4. Slide the glass down to clip the hooks onto the pins and capture the bottom of the glass in the channel.

Filters

Frequently remove and clean the filter(s) in the retractable section of the downdraft vent. This will improve the operating efficiency of the downdraft vent system.

NOTE: The glass panel must be removed prior to removing the filters. See "To Remove" in the "Glass" section.

To Replace or Clean:

1. Remove each filter by pulling the knob and lifting up.
2. Wash metal filters as needed in dishwasher or hot detergent solution and dry the clean filters.
3. Reinstall the filter by making sure the knobs are toward the front. Insert metal grease filter into the bottom filter track.
4. Push up on metal filter and it will magnetically latch into place.
5. Repeat steps 1-4 for the other filter.
6. Replace the glass panel. See "To Install" in the "Glass" section.

Changing the Remote Batteries

To Remove Battery:

1. Use a small Phillips screwdriver to remove the screw from the small back cover.
2. Pull up on the bottom of the remote and remove. It has a slot on the end and is magnetically held in place.
3. Remove the battery by pushing it toward the center to clear the edge of the battery from the 2 battery retention tabs, and pull it out to remove the battery.
4. Repeat Step 3 for other battery.

To Replace Battery:

1. Place the battery into the battery mounting hole with the positive (+) side up. Push the battery to the left against the spring and push down to lock it under the 2 battery retention tabs.
2. Repeat Step 1 for other battery.
3. Replace the small back cover. Fit the end tab under the large back cover and snap it into place.
4. Use a small Phillips screwdriver to replace and secure the screw.

NOTE: The remote uses 2 - CR2032 3v lithium batteries.

USER SERVICING INSTRUCTIONS

⚠ WARNING



Electrical Shock Hazard

Disconnect power before servicing.

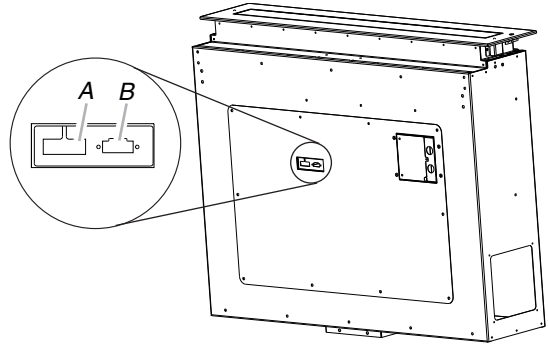
Replace all parts and panels before operating.

Failure to do so can result in death or electrical shock.

NOTE: If the hood does not operate, check to see if the circuit breaker has been tripped and that there is power to the unit.

Replacing the Fuse

1. Disconnect power
2. Using a flat-blade screwdriver, pry the fuse cover away from the front panel of the downdraft hood.
3. Remove the fuse from the fuse holder by pushing it from the bottom side with the screwdriver.

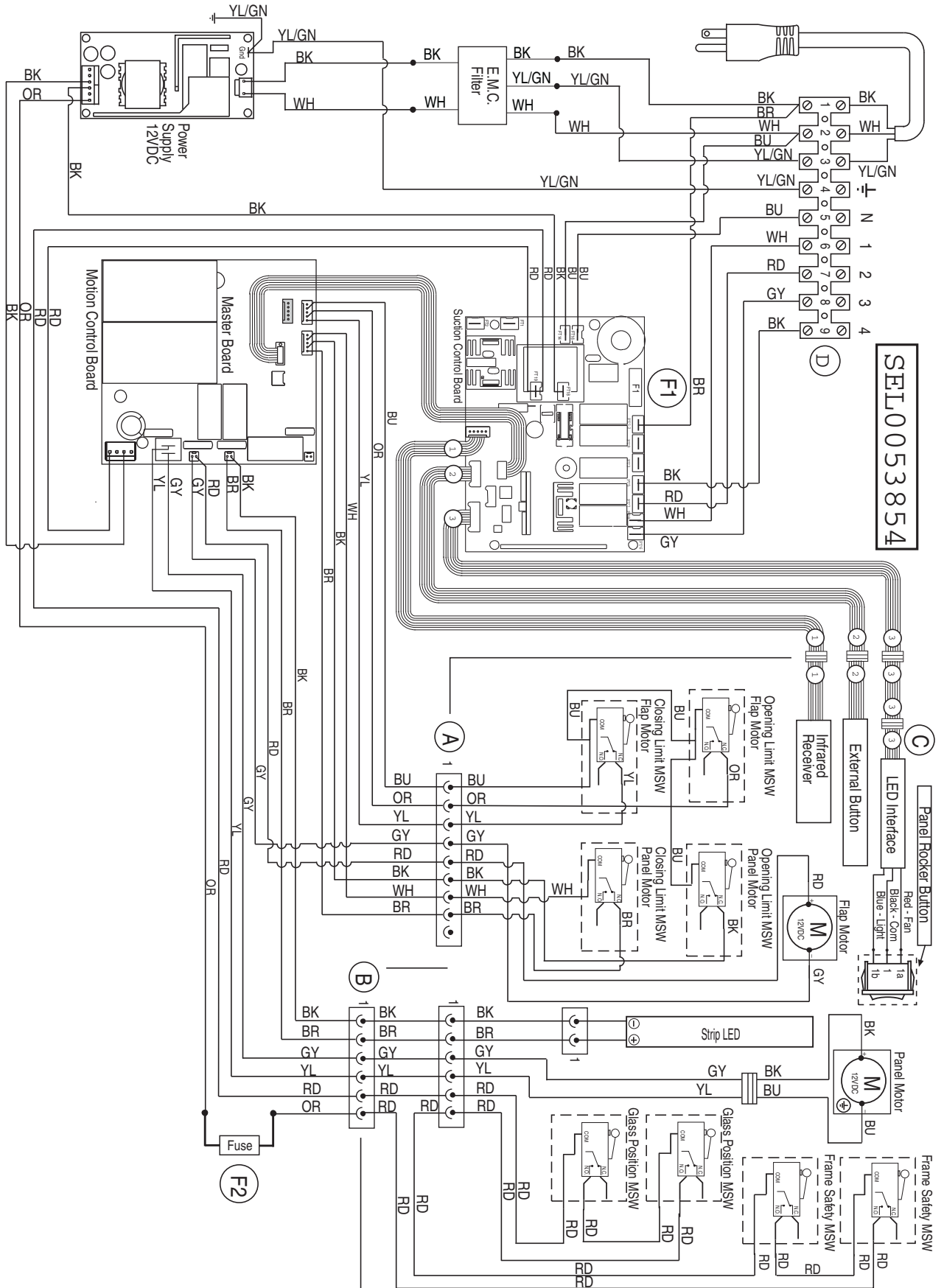


A. Fuse holder

B. Remote up/down switch connector

4. To avoid the risk of fire, replace the fuse with a 125 volt, 5 amp non-time delay fuse.
5. Push cover in until it locks into position.
6. Reconnect power.

WIRING DIAGRAM



ASSISTANCE OR SERVICE

If you need service

Please refer to the warranty page in this manual.

If you need replacement parts

If you need to order replacement parts, we recommend that you use only factory specified parts. Factory specified parts will fit right and work right because they are made with the same precision used to build every new appliance.

To locate factory specified replacement parts in your area, call the following customer assistance telephone number or your nearest designated service center.

In the U.S.A.

Call Jenn-Air Customer eXperience Center toll free: **1-800-JENNAIR (1-800-536-6247)** or visit our website at **www.jennair.com**.

Our consultants provide assistance with:

- Scheduling of service. Jenn-Air® appliances designated service technicians are trained to fulfill the product warranty and provide after-warranty service anywhere in the United States.
- Features and specifications on our full line of appliances.
- Referrals to local Jenn-Air® appliance dealers.
- Installation information.
- Use and maintenance procedures.
- Accessory and repair parts sales.
- Specialized customer assistance (Spanish speaking, hearing impaired, limited vision, etc.).

For further assistance

If you need further assistance, you can write to Jenn-Air® Appliances with any questions or concerns at:

Jenn-Air Brand Home Appliances
Customer eXperience Center
553 Benson Road
Benton Harbor, MI 49022-2692

Please include a daytime phone number in your correspondence.

In Canada

Call the Whirlpool Canada LP Customer eXperience Centre toll free at **1-800-JENNAIR (1-800-536-6247)** or visit our website at **www.jennair.ca**.

Our consultants provide assistance with:

- Scheduling of service. Jenn-Air® appliances designated service technicians are trained to fulfill the product warranty and provide after-warranty service anywhere in Canada.
- Features and specifications on our full line of appliances.
- Referrals to local Jenn-Air® appliance dealers.
- Installation information.
- Use and maintenance procedures.
- Accessory and repair parts sales.

For further assistance

If you need further assistance, you can write to Jenn-Air® Appliances with any questions or concerns at:

Jenn-Air Brand Home Appliances
Customer eXperience Centre
200 - 6750 Century Ave.
Mississauga, Ontario L5N 0B7

Please include a daytime phone number in your correspondence.

Accessories

NOTE: Instructions are included with each kit.

Blower Motor System (1 system is required)

600 CFM In-Line Blower Motor System
Order model number UX10600DYS

1200 CFM In-Line Blower Motor System
Order model number UX11200DYS

10" (25.4 cm) Round Make-Up Air System

Order Part Number W10446917

JENN-AIR® MAJOR APPLIANCE LIMITED WARRANTY

ATTACH YOUR RECEIPT HERE. PROOF OF PURCHASE IS REQUIRED TO OBTAIN WARRANTY SERVICE.

Please have the following information available when you call the Customer eXperience Center:

- Name, address and telephone number
- Model number and serial number
- A clear, detailed description of the problem
- Proof of purchase including dealer or retailer name and address

IF YOU NEED SERVICE:

1. Before contacting us to arrange service, please determine whether your product requires repair. Some questions can be addressed without service. Please take a few minutes to review the Troubleshooting or Problem Solver section of the Use and Care Guide, scan the QR code on the right to access additional resources, or visit <https://jennair.custhelp.com>.
2. All warranty service is provided exclusively by our authorized Jenn-Air Service Providers. In the U.S. and Canada, direct all requests for warranty service to:

Jenn-Air Customer eXperience Center
1-800-JENNAIR (1-800-536-6247)



<https://jennair.custhelp.com>

If outside the 50 United States or Canada, contact your authorized Jenn-Air dealer to determine whether another warranty applies.

TWO YEAR LIMITED WARRANTY

WHAT IS COVERED

For two years from the date of purchase, when this major appliance is installed, operated and maintained according to instructions attached to or furnished with the product, Jenn-Air brand of Whirlpool Corporation or Whirlpool Canada LP (hereafter "Jenn-Air") will pay for Factory Specified Replacement Parts and repair labor to correct defects in materials or workmanship that existed when this major appliance was purchased, or at its sole discretion replace the product. In the event of product replacement, your appliance will be warranted for the remaining term of the original unit's warranty period.

YOUR SOLE AND EXCLUSIVE REMEDY UNDER THIS LIMITED WARRANTY SHALL BE PRODUCT REPAIR AS PROVIDED HEREIN. Service must be provided by a Jenn-Air designated service company. This limited warranty is valid only in the United States or Canada and applies only when the major appliance is used in the country in which it was purchased. This limited warranty is effective from the date of original consumer purchase. Proof of original purchase date is required to obtain service under this limited warranty.

WHAT IS NOT COVERED

1. Commercial, non-residential, multiple-family use, or use inconsistent with published user, operator or installation instructions.
2. In-home instruction on how to use your product.
3. Service to correct improper product maintenance or installation, installation not in accordance with electrical or plumbing codes or correction of household electrical or plumbing (i.e. house wiring, fuses or water inlet hoses).
4. Consumable parts (i.e. light bulbs, batteries, air or water filters, preservation solutions, etc.).
5. Defects or damage caused by the use of non-genuine Jenn-Air parts or accessories.
6. Conversion of products from natural gas or L.P. gas.
7. Damage from accident, misuse, abuse, fire, floods, acts of God or use with products not approved by Jenn-Air.
8. Repairs to parts or systems to correct product damage or defects caused by unauthorized service, alteration or modification of the appliance.
9. Cosmetic damage including scratches, dents, chips, and other damage to the appliance finishes unless such damage results from defects in materials and workmanship and is reported to Jenn-Air within 30 days.
10. Discoloration, rust or oxidation of surfaces resulting from caustic or corrosive environments including but not limited to high salt concentrations, high moisture or humidity or exposure to chemicals.
11. Food or medicine loss due to product failure.
12. Pick-up or delivery. This product is intended for in-home repair.
13. Travel or transportation expenses for service in remote locations where an authorized Jenn-Air servicer is not available.
14. Removal or reinstallation of inaccessible appliances or built-in fixtures (i.e. trim, decorative panels, flooring, cabinetry, islands, countertops, drywall, etc.) that interfere with servicing, removal or replacement of the product.
15. Service or parts for appliances with original model/serial numbers removed, altered or not easily determined.

The cost of repair or replacement under these excluded circumstances shall be borne by the customer.

DISCLAIMER OF IMPLIED WARRANTIES

IMPLIED WARRANTIES, INCLUDING ANY IMPLIED WARRANTY OF MERCHANTABILITY OR IMPLIED WARRANTY OF FITNESS FOR A PARTICULAR PURPOSE, ARE LIMITED TO ONE YEAR OR THE SHORTEST PERIOD ALLOWED BY LAW. Some states and provinces do not allow limitations on the duration of implied warranties of merchantability or fitness, so this limitation may not apply to you. This warranty gives you specific legal rights, and you also may have other rights that vary from state to state or province to province.

DISCLAIMER OF REPRESENTATIONS OUTSIDE OF WARRANTY

Jenn-Air makes no representations about the quality, durability, or need for service or repair of this major appliance other than the representations contained in this warranty. If you want a longer or more comprehensive warranty than the limited warranty that comes with this major appliance, you should ask Jenn-Air or your retailer about buying an extended warranty.

LIMITATION OF REMEDIES; EXCLUSION OF INCIDENTAL AND CONSEQUENTIAL DAMAGES

YOUR SOLE AND EXCLUSIVE REMEDY UNDER THIS LIMITED WARRANTY SHALL BE PRODUCT REPAIR AS PROVIDED HEREIN. JENN-AIR SHALL NOT BE LIABLE FOR INCIDENTAL OR CONSEQUENTIAL DAMAGES. Some states and provinces do not allow the exclusion or limitation of incidental or consequential damages, so these limitations and exclusions may not apply to you. This warranty gives you specific legal rights, and you also may have other rights that vary from state to state or province to province.

SÉCURITÉ DU SYSTÈME DE VENTILATION

Votre sécurité et celle des autres est très importante.

Nous donnons de nombreux messages de sécurité importants dans ce manuel et sur votre appareil ménager. Assurez-vous de toujours lire tous les messages de sécurité et de vous y conformer.



Voici le symbole d'alerte de sécurité.

Ce symbole d'alerte de sécurité vous signale les dangers potentiels de décès et de blessures graves à vous et à d'autres.

Tous les messages de sécurité suivront le symbole d'alerte de sécurité et le mot "DANGER" ou "AVERTISSEMENT". Ces mots signifient :

⚠ DANGER

Risque possible de décès ou de blessure grave si vous ne suivez pas immédiatement les instructions.

⚠ AVERTISSEMENT

Risque possible de décès ou de blessure grave si vous ne suivez pas les instructions.

Tous les messages de sécurité vous diront quel est le danger potentiel et vous disent comment réduire le risque de blessure et ce qui peut se produire en cas de non-respect des instructions.

Avertissements de la proposition 65 de l'État de Californie :

AVERTISSEMENT : Ce produit contient au moins un produit chimique connu par l'État de Californie pour être à l'origine de cancers.

AVERTISSEMENT : Ce produit contient au moins un produit chimique connu par l'État de Californie pour être à l'origine de malformations et autres déficiences de naissance.

IMPORTANTES INSTRUCTIONS DE SÉCURITÉ

AVERTISSEMENT : POUR RÉDUIRE LE RISQUE D'INCENDIE, CHOC ÉLECTRIQUE OU DOMMAGES CORPORELS, RESPECTER LES INSTRUCTIONS SUIVANTES :

- Utiliser cet appareil uniquement dans les applications envisagées par le fabricant. Pour toute question, contacter le fabricant.
- Avant d'entreprendre un travail d'entretien ou de nettoyage, interrompre l'alimentation de la hotte au niveau du tableau de disjoncteurs, et verrouiller le tableau de disjoncteurs pour empêcher tout rétablissement accidentel de l'alimentation du circuit. Lorsqu'il n'est pas possible de verrouiller le tableau de disjoncteurs, placer sur le tableau de disjoncteurs une étiquette d'avertissement proéminente interdisant le rétablissement de l'alimentation.
- Tout travail d'installation ou câblage électrique doit être réalisé par une personne qualifiée, dans le respect des prescriptions de tous les codes et normes applicables, y compris les codes du bâtiment et de protection contre les incendies.
- Ne pas faire fonctionner un ventilateur dont le cordon ou la fiche est endommagé(e). Jeter le ventilateur ou le retourner à un centre de service agréé pour examen et/ou réparation.
- Une source d'air de débit suffisant est nécessaire pour le fonctionnement correct de tout appareil à gaz (combustion et évacuation des gaz à combustion par la cheminée), pour qu'il n'y ait pas de reflux des gaz de combustion. Respecter les directives du fabricant de l'équipement de chauffage et les prescriptions des normes de sécurité - comme celles publiées par la National Fire Protection Association (NFPA) et l'American Society for Heating, Refrigeration and Air Conditioning Engineers (ASHRAE), et les prescriptions des autorités réglementaires locales.
- Lors des opérations de découpage et de perçage dans un mur ou un plafond, ne pas endommager les câblages électriques et les canalisations qui peuvent s'y trouver.
- Les ventilateurs d'évacuation doivent toujours décharger l'air à l'extérieur.

MISE EN GARDE : Cet appareil est conçu uniquement pour la ventilation générale. Ne pas l'utiliser pour l'extraction de matières ou vapeurs dangereuses ou explosives.

MISE EN GARDE : Pour minimiser le risque d'incendie et évacuer adéquatement les gaz, veiller à acheminer l'air aspiré par un conduit jusqu'à l'extérieur - ne pas décharger l'air aspiré dans un espace vide du bâtiment comme une cavité murale, un plafond, un grenier, un vide sanitaire ou un garage.

AVERTISSEMENT : POUR RÉDUIRE LE RISQUE D'INCENDIE, UTILISER UNIQUEMENT DES CONDUITS MÉTALLIQUES.

AVERTISSEMENT : POUR MINIMISER LE RISQUE D'UN FEU DE GRAISSE SUR LA CUISINIÈRE :

- Ne jamais laisser un élément de surface fonctionner à puissance de chauffage maximale sans surveillance. Un renversement/débordement de matière grasseuse pourrait provoquer une inflammation et la génération de fumée. Utiliser une puissance de chauffage moyenne ou basse pour le chauffage d'huile.
- Veiller à toujours faire fonctionner le ventilateur de la hotte lors de la cuisson avec une puissance de chauffage élevée ou lors de la cuisson d'un mets à flamber (à savoir crêpes Suzette, cerise jubilé, steak au poivre flambé).
- Nettoyer fréquemment les ventilateurs d'extraction. Veiller à ne pas laisser la graisse s'accumuler sur les surfaces du ventilateur ou des filtres.
- Utiliser toujours un ustensile de taille appropriée. Utiliser toujours un ustensile adapté à la taille de l'élément chauffant.

AVERTISSEMENT : POUR RÉDUIRE LE RISQUE DE DOMMAGES CORPORELS APRÈS LE DÉCLENCHEMENT D'UN FEU DE GRAISSE SUR LA CUISINIÈRE, APPLIQUER LES RECOMMANDATIONS SUIVANTES :^a

- Placer sur le récipient un couvercle bien ajusté, une tôle à biscuits ou un plateau métallique POUR ÉTOUFFER LES FLAMMES, puis éteindre le brûleur. VEILLER À ÉVITER LES BRÛLURES. Si les flammes ne s'éteignent pas immédiatement, ÉVACUER LA PIÈCE ET APPELER LES POMPIERS.
- NE JAMAIS PRENDRE EN MAIN UN RÉCIPENT ENFLAMMÉ - vous risquez de vous brûler.
- NE PAS UTILISER D'EAU, ni un torchon humide - ceci pourrait provoquer une explosion de vapeur brûlante.
- Utiliser un extincteur SEULEMENT si :
 - Il s'agit d'un extincteur de classe ABC, dont on connaît le fonctionnement.
 - Il s'agit d'un petit feu encore limité à l'endroit où il s'est déclaré.
 - Les pompiers ont été contactés.
 - Il est possible de garder le dos orienté vers une sortie pendant l'opération de lutte contre le feu.

^aRecommandations tirées des conseils de sécurité en cas d'incendie de cuisine publiés par la NFPA.

- **AVERTISSEMENT :** Pour réduire le risque d'incendie ou de choc électrique, ne pas utiliser ce ventilateur avec un quelconque dispositif de réglage de la vitesse à semi-conducteurs.

LIRE ET CONSERVER CES INSTRUCTIONS

EXIGENCES D'INSTALLATION

Outillage et pièces

Rassembler les outils et pièces nécessaires avant d'entreprendre l'installation. Lire et observer les instructions fournies avec chacun des outils de la liste ci-dessous.

Outillage nécessaire

- Scie sauteuse ou scie à guichet
- Perceuse
- Foret de 3/16" (5 mm) pour avant-trous
- Crayon
- Mètre-ruban ou règle
- Tournevis à lame plate de 1/8"
- Tournevis Phillips
- Clés plates de 1/2" et 9/16" ou clé à molette
- 1 1/4" (32 mm) - foret
- Niveau
- Cisaille de ferblantier
- Pince à dénuder ou couteau utilitaire
- Pistolet à calfeutrage et composé de calfeutrage résistant aux intempéries

Pièces fournies

- Télécommande et piles
- 2 filtres à graisse
- Cadre supérieur
- Support de cadre
- 12 vis à tête plate de 4 x 10 mm
- 10" (25,4 cm) de diamètre - raccord d'évacuation
- Cadre de montage du raccord d'évacuation (fixé)
- Commutateur de montée/descente par télécommande
- 4 socles de montage d'attache-câble
- 4 attache-câble
- Panneau de verre incurvé
- 4 pieds de nivellement avec écrous
- 2 équerres de montage (au-dessous du plan de travail)
- 8 vis à tête bombée de 5 mm x 12 mm
- 6 vis à bois de 4 x 20 mm

Pièces nécessaires

- Connecteur de conduit (homologation UL ou CSA) de 1/2" (12,7 mm)
- Bouche de décharge murale ou à travers le toit avec clapet correspondant au système d'évacuation
- Conduit d'évacuation
- Câblage pour système de ventilation en ligne
- Brides de conduit/ruban adhésif en toile
- Système de ventilation en ligne (pour commander des pièces, voir la section "Accessoires")

Exigences d'emplacement

REMARQUE : Le système d'extraction par le bas est installé directement derrière la table de cuisson. Pour une installation plus facile, monter d'abord le système d'extraction par le bas, puis la table de cuisson.

IMPORTANT : Observer les dispositions de tous les codes et règlements en vigueur.

- Demander à un technicien qualifié d'installer le système d'extraction par le bas. C'est à l'installateur qu'incombe la responsabilité de respecter les distances de séparation spécifiées sur la plaque signalétique de l'appareil. La plaque signalétique se trouve à l'avant du système d'extraction par le bas.
- Le système d'extraction par le bas doit être installé à l'écart des zones de forts courants d'air, telles que fenêtres, portes et événements ou ventilateurs de chauffage.
- Respecter les dimensions indiquées pour les ouvertures à découper dans les placards. Ces dimensions tiennent compte des valeurs minimales des dégagements de séparation.
- Avant d'effectuer des découpes, consulter les instructions d'installation fournies par le fabricant de la table de cuisson.

Vérifier qu'à l'emplacement d'installation à l'intérieur du placard, le système d'extraction par le bas et la table de cuisson ne produiront pas d'interférence avec les parois des placards, panneaux anti-éclaboussure, et poteaux du colombage mural à l'arrière.

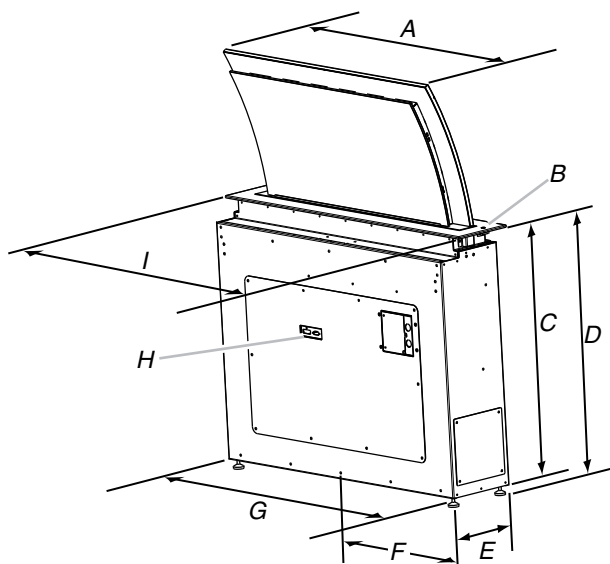
Vérifier le respect de la distance minimale entre le bord avant du plan de travail et le bord avant de la table de cuisson. La distance minimale de séparation horizontale entre les placards muraux est identique à la largeur du système d'extraction installé.

- Assurer l'étanchéité au niveau de chaque ouverture découpée dans le plafond ou le mur pour l'installation du système d'extraction par le bas.
- Une prise de courant électrique reliée à la terre est nécessaire. Voir la section "Spécifications électriques".

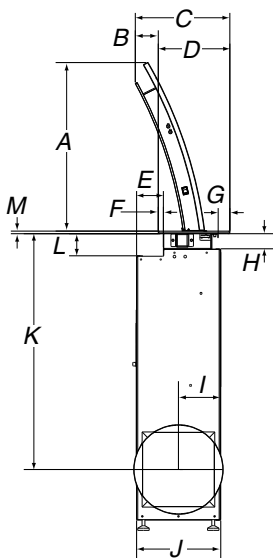
Installation dans une résidence mobile

L'installation de ce système d'extraction par le bas doit satisfaire aux exigences de la norme Manufactured Home Construction Safety Standards, Titre 24 CFR, partie 328 (anciennement Federal Standard for Mobile Home Construction and Safety, titre 24, HUD, partie 280); lorsque cette norme n'est pas applicable, l'installation doit satisfaire aux critères de la plus récente édition de la norme Manufactured Home Installation 1982 (Manufactured Home Sites, Communities and Setups) ANSI A225.1/NFPA 501A*, ou des codes locaux.

Dimensions du produit

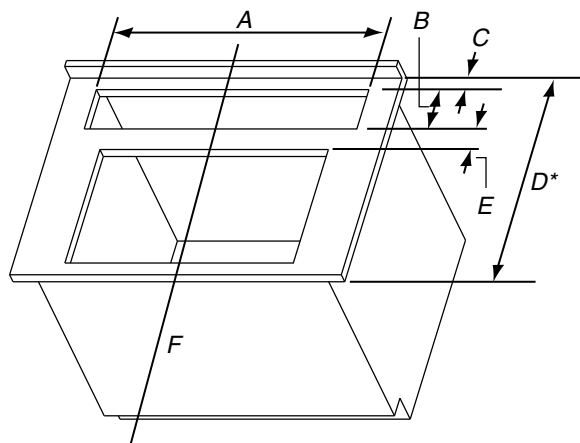


- A. 35 $\frac{1}{4}$ " (89,5 cm)
 B. Capteur infrarouge pour télécommande
 C. 29 $\frac{5}{16}$ " (76,0 cm)
 D. 33" (83,8 cm) min., 38 $\frac{1}{2}$ " (97,8 cm) max.
 E. 9 $\frac{1}{4}$ " (23,5 cm)
 F. Axe central de la surface inférieure du système d'extraction
 G. 39 $\frac{1}{4}$ " (99,7 cm)
 H. Commutateur de montée/descente déporté
 I. 40 $\frac{3}{4}$ " (103,5 cm)



- A. 18 $\frac{1}{2}$ " (47,0 cm)
 B. 2 $\frac{1}{2}$ " (6,4 cm)
 C. 10 $\frac{3}{8}$ " (26,4 cm)
 D. 7 $\frac{7}{8}$ " (20,0 cm)
 E. 3" (7,6 cm)
 F. 1/2" (1,3 cm)
 G. 1 $\frac{3}{16}$ " (3,3 cm)
 H. 1 $\frac{5}{8}$ " (4,1 cm)
 I. 4 $\frac{5}{8}$ " (11,7 cm)
 J. 9 $\frac{1}{4}$ " (23,5 cm)
 K. 26" (66,0 cm) standard, des deux côtés
 L. 2 $\frac{7}{16}$ " (6,2 cm)
 M. 5/16" (0,8 cm)

Dimensions du placard



- A. 39 $\frac{7}{16}$ " (100,2 cm)
 B. 6 $\frac{1}{16}$ " (17,0 cm)
 C. 2" (5,1 cm) min. par rapport au mur arrière
 D. Profondeur minimale du plan de travail. Voir IMPORTANT*.
 E. 3 $\frac{1}{2}$ " (8,9 cm) min.
 F. Axe central de la table de cuisson et du système d'extraction par le bas

***IMPORTANT :** La profondeur du placard et du plan de travail est déterminée par la cuisinière utilisée avec ce système d'extraction par le bas.

REMARQUES :

- Consulter les instructions d'installation du fabricant de la cuisinière pour connaître les dimensions des découpes.
- Les systèmes de ventilation en ligne se raccordent avec un conduit d'évacuation de diamètre 10" (25,4 cm). Pour cette configuration, l'emplacement des ouvertures à découper dépend de la configuration d'installation.
- Pour l'emplacement des découpes associées au circuit d'évacuation, utiliser les dimensions applicables à la situation d'installation.

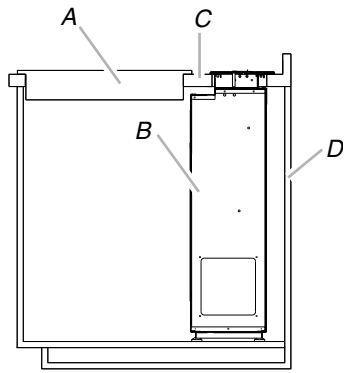
Plan de travail – Dimensions des ouvertures à découper

IMPORTANT : Les plans de travail avec rebord avant arrondi ne sont pas recommandés pour ces installations.

La profondeur nécessaire pour le placard et le plan de travail peut être supérieure à 38" (96,5 cm). Cette profondeur est déterminée par les cuisinières installées avec ce système d'extraction par le bas.

Pour éviter une erreur, avant de découper une ouverture, tracer le périmètre des ouvertures à découper sur le plan de travail.

Pour les dimensions des ouvertures, leur position et le détail des installations, voir les instructions d'installation de la table de cuisson.



A. Table de cuisson
B. Système d'extraction par le bas
C. Plan de travail
D. Paroi arrière du placard

Spécifications électriques

Observer les dispositions de tous les codes et règlements en vigueur.

S'assurer que l'installation électrique est correcte et qu'elle satisfait aux exigences de la plus récente édition de la norme National Electrical Code, ANSI/NFPA 70, ou de la norme CSA C22. 1-94, Code canadien de l'électricité, partie 1 et C22.2 No 0-M91 (dernière édition) et de tous les codes et règlements en vigueur.

Si les codes le permettent et si l'on utilise un conducteur distinct de liaison à la terre, il est recommandé qu'un électricien qualifié vérifie la qualité de la liaison à la terre.

Pour obtenir un exemplaire des normes des codes ci-dessus, contacter :

National Fire Protection Association
1 Batterymarch Park
Quincy, MA 02169-7471
CSA International
8501 East Pleasant Valley Road
Cleveland, OH 44131-5575

- L'appareil doit être alimenté par un circuit de 120 V, CA seulement, 60 Hz, 15 ampères, protégé par fusible.
- Si le domicile possède un câblage en aluminium, suivre la procédure ci-dessous :
 1. Raccorder une section de câble en cuivre massif aux conducteurs en queue de cochon.
 2. Connecter le câblage en aluminium à la section ajoutée de câblage en cuivre en utilisant des connecteurs et/ou des outils spécialement conçus et homologués UL pour fixer le cuivre à l'aluminium.

Suivre la procédure recommandée par le fabricant de connecteurs électriques. La connexion aluminium/cuivre doit être conforme aux codes locaux et aux pratiques de câblage acceptées par l'industrie.

- Le calibre des conducteurs et les connexions doivent être compatibles avec les caractéristiques électriques de l'appareil spécifiées sur la plaque signalétique. La plaque signalétique est située à l'avant du conduit d'aspiration par le bas.
- Le calibre des conducteurs doit être conforme aux exigences du National Electrical Code, de la plus récente édition de la norme ANSI/NFPA 70 ou des normes CSA C22. 1-94, Code canadien de l'électricité, partie 1 et C22.2 No. 0-M91 (édition la plus récente) et de tous les codes et règlements en vigueur.

Exigences concernant l'évacuation

IMPORTANT : Avant d'effectuer des découpes, s'assurer qu'il y a un dégagement convenable entre le mur ou le plancher pour le conduit d'évacuation.

- Utiliser un conduit métallique rigide.
- Le système doit décharger l'air à l'extérieur.
- Ne pas terminer le circuit d'évacuation dans un grenier ou dans un autre espace clos.
- Ne pas utiliser une bouche de décharge murale de 4" (10,2 cm) normalement utilisée pour un équipement de buanderie.
- Ne pas installer 2 coudes successifs.
- Ne pas utiliser de conduit de plastique ou de métal très mince.
- La longueur du système d'évacuation et le nombre de coudes doit être réduit au minimum pour des performances optimales.
- Ne pas utiliser plus de trois coudes à 90°.
- Veiller à incorporer une section de conduit rectiligne d'au moins 24" (61 cm) entre deux raccords coudés adjacents.
- Utiliser des brides ou du ruban adhésif de tuyauterie pour assurer l'étanchéité de chaque jointure du circuit d'évacuation.
- Autour de la bouche de décharge à l'extérieur, assurer l'étanchéité avec un produit de calfeutrage.
- Ne pas couper une solive ou un poteau du colombage. Si le point de passage d'un conduit d'évacuation correspond à la position d'un poteau du colombage ou d'une solive, on doit réaliser une structure de support appropriée.

On déconseille l'emploi d'un conduit en métal flexible. Si du conduit de ce type doit être utilisé, compter pour chaque longueur de conduit flexible le double par rapport à un conduit rigide (1 m de conduit flexible correspond à 2 m de conduit rigide).

Un raccord coudé flexible compte le double d'un raccord coudé standard.

Longueur recommandée du circuit d'évacuation :

La longueur du circuit d'évacuation ne doit pas dépasser les longueurs maximales indiquées dans le tableau Longueur maximum du conduit d'évacuation. Voir "Calcul de longueur du circuit d'évacuation" dans la section "Méthode d'évacuation" pour des instructions d'installation du système de ventilation en ligne à l'intérieur ou à l'extérieur.

Installations dans les régions au climat froid

On doit installer un clapet anti-retour supplémentaire à l'arrière pour minimiser le reflux d'air froid et incorporer un élément d'isolation thermique pour minimiser la conduction de chaleur par l'intermédiaire du conduit d'évacuation, de l'intérieur de la maison à l'extérieur. Le clapet anti-retour doit être placé du côté air froid de la résistance thermique.

L'élément d'isolation thermique doit être aussi proche que possible de l'endroit où le circuit d'évacuation s'introduit dans la partie chauffée de la maison.

Air d'appoint

Les codes locaux en bâtiment peuvent imposer l'emploi d'un circuit de renouvellement de l'air/introduction d'air d'appoint, lors de l'utilisation d'un circuit d'aspiration de débit supérieur à une valeur spécifiée en pieds cubes par minute. Le débit spécifié en pieds cubes par minute varie d'une juridiction à l'autre. Consulter un professionnel des installations de chauffage ventilation/climatisation au sujet des exigences spécifiques applicables dans la juridiction locale.

Consulter la section "Accessoires" pour des informations sur la commande d'ensembles en option.

INSTRUCTIONS D'INSTALLATION

REMARQUE : Le système d'extraction par le bas nécessite l'achat d'un système de ventilation en ligne (type externe). Voir "Système de ventilation" dans la section "Accessoires".

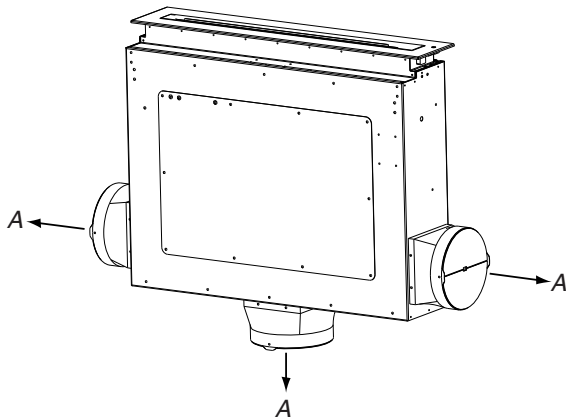
MISE EN GARDE : Afin de réduire le risque d'incendie ou de choc électrique, installer ce système d'extraction par le bas uniquement avec les systèmes de ventilation en ligne vendus par Whirlpool Corporation. Numéros de modèle UX10600DYS (600 CFM) et UX11200DYS (1200 CFM).

Méthodes d'évacuation

Déterminer la méthode d'évacuation la plus appropriée. Le circuit d'évacuation peut se terminer à travers le mur ou le toit. Une bouche de décharge murale ou à travers le toit est nécessaire.

REMARQUES :

- L'évacuation à travers une dalle de béton n'est pas recommandée.
- Le système de ventilation en ligne doit être placé dans un lieu fermé, qui peut être un local d'entretien, un sous-sol, un vide sanitaire ou un grenier. Observer les dispositions de tous les codes et règlements en vigueur.
- Un conduit d'évacuation rond de 10" (25,4 cm) est nécessaire pour le raccordement à la sortie du système d'extraction par le bas rétractable et à l'entrée et la sortie du système de ventilation en ligne. Un conduit d'évacuation rond de 10" (25,4 cm) sur toute sa longueur est recommandé pour le système d'extraction par le bas rétractable avec un système de ventilation en ligne. Un raccordement à des conduits de diamètre différent réduit l'efficacité du système d'extraction par le bas rétractable.



A. Trois possibilités d'évacuation vers le système de ventilation en ligne

Calcul de la longueur du circuit d'évacuation

On recommande d'utiliser un conduit rond plutôt qu'un conduit rectangulaire, en particulier si des coudes sont nécessaires. Si un conduit rectangulaire est nécessaire, il doit être raccordé à un conduit rond de dia. 10" (25,4 cm) dès que possible.

Longueur maximum du conduit d'évacuation

Conduit d'évacuation	Longueur
Conduit dia. 10" (25,4 cm)	60 pi. (18,3 m)

Pour calculer la longueur effective du circuit d'évacuation nécessaire, additionner les longueurs équivalentes (en pieds ou mètres) de tous les composants utilisés dans le circuit.

Composant	Conduit de diamètre de 10" (25,4 cm)	
Coude à 45°	2,5 pi (0,8 m)	
Coude à 90°	5,0 pi (1,5 m)	

Longueur équivalente maximale d'un conduit d'évacuation ronde de 10" (25,4 cm) : 60 pi (18,3 m).

2 coudes à 90°	= 10 pi (3 m)
section droite de 10 pi (3 m)	= 10 pi (3 m)
Longueur du système de dia. 10" (25,4 cm)	= 20 pi (6 m)

REMARQUE : Une installation avec le système de ventilation en ligne nécessite un câblage distinct qui doit être installé en même temps que le circuit d'évacuation.

Préparation du système d'extraction par le bas

REMARQUE : L'installation de cet appareil est plus facile avant la pose du plan de travail. La méthode d'installation à privilégier consiste à introduire cet appareil dans le placard, puis à placer le plan de travail par-dessus.

AVERTISSEMENT

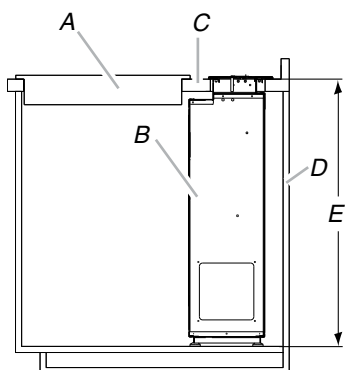
Risque du poids excessif

Utiliser deux ou plus de personnes pour déplacer et installer le système d'extraction.

Le non-respect de cette instruction peut causer une blessure au dos ou d'autre blessure.

1. Placer une feuille de carton ou matériau similaire sur une surface plane, où on pourra facilement assembler le système d'extraction par le bas.
2. Ouvrir la caisse en bois en ôtant les vis de son couvercle.
3. Retirer les éléments d'emballage de la caisse et les mettre de côté.
4. Sortir le système d'extraction par le bas de la caisse et le placer sur la surface d'assemblage, panneau d'accès/boîtier de raccordement vers le haut.
5. Mesurer la distance "E" entre le plancher du placard et le dessus du plan de travail.

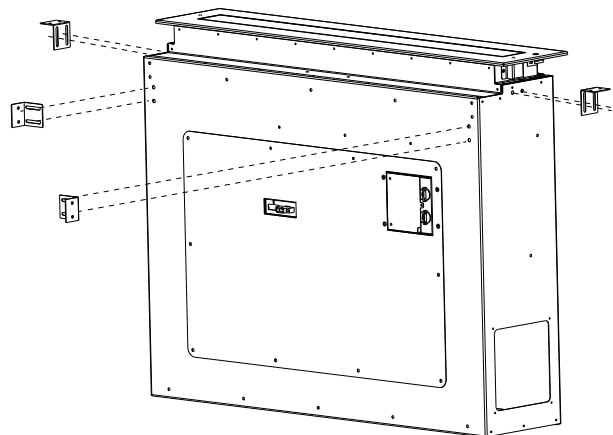
REMARQUE : La dimension "E" doit être d'au moins 32 $\frac{5}{8}$ " (82,9 cm), sans quoi le plancher du placard devra être retiré pour que les pieds de l'extracteur reposent sur le sol.



A. Table de cuisson
B. Système d'extraction par le bas
C. Plan de travail
D. Paroi arrière du placard
E. Du plancher du placard jusqu'au dessus du plan de travail

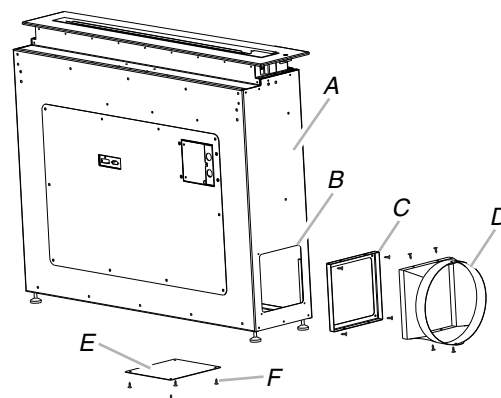
6. Visser les 4 pieds pour que la hauteur totale de l'appareil, de ses pieds jusqu'à son sommet, soit environ 1" (2,5 cm) inférieure à la dimension "E".

7. Installer sur la caisse du système d'extraction les équerres droite et gauche de montage sous le plan de travail. Les équerres peuvent être montées sur la face avant ou arrière du système d'extraction par le bas pour être fixées aux placards, ou sur chaque face latérale pour être fixées au plan de travail (voir l'illustration ci-dessous). Visser dans les fentes, sans serrer, les 4 vis à métaux de 4,9 x 12 mm.



Installation du raccord de sortie et du raccord de transition

Dans le cas d'une installation dans un placard, l'évacuation du système d'extraction peut se faire par le bas, par le côté gauche ou par le côté droit de la caisse du système d'extraction. Le système d'extraction par le bas est livré pour une évacuation par le bas de sa caisse. Si ce sens d'évacuation ne convient pas, effectuer les étapes ci-dessous.

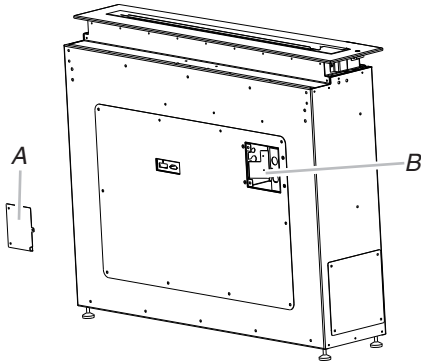


A. Caisse du système d'extraction
B. Orifice d'évacuation
C. Cadre de montage du raccord de sortie
D. Raccord de transition
E. Couvercle
F. Vis

1. Retirer le couvercle correspondant à l'orifice d'évacuation souhaité.
2. Démontez le cadre de montage du raccord de sortie qui se trouve sur l'orifice d'évacuation par le bas.
3. Installer le cadre de montage du raccord de sortie sur l'orifice d'évacuation souhaité à l'aide des 4 vis.
4. Monter le raccord de transition au cadre de montage du raccord de sortie à l'aide des 4 vis de 4,9 x 12 mm.
5. Au moyen des 4 vis, poser le couvercle sur l'orifice d'évacuation duquel a été démonté le cadre de montage du raccord de sortie.

Installation du système d'extraction par le bas

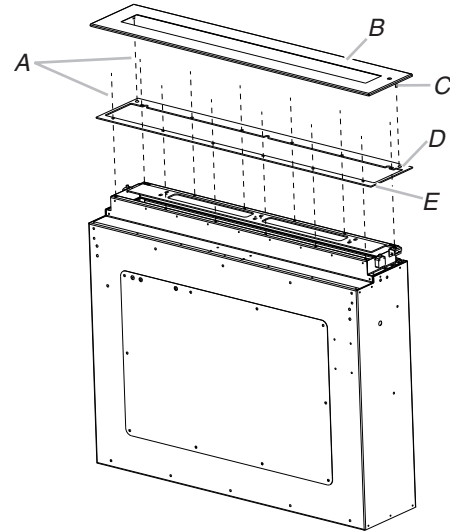
1. Ôter les 3 vis du couvercle du boîtier de raccordement.



A. Couvercle du boîtier de raccordement
B. Opercule arrachable

2. Ôter l'opercule du panneau avant et installer un raccord de conduit de $\frac{1}{2}$ " (1,3 cm) homologué UL ou CSA.
3. À 2 personnes au moins, insérer le système d'extraction par le bas dans le placard. Le centrer approximativement en dessous de la découpe du plan de travail.
4. Si le plan de travail n'est pas encore installé, suivre les instructions relatives à l'installation du plan de travail pour le placer au-dessus des placards.
5. À l'aide d'une clé de $\frac{1}{2}$ " , dévisser les pieds de la caisse du système d'extraction pour lever l'appareil jusqu'à ce que son sommet affleure la surface supérieure du plan de travail.
6. Centrer et mettre à niveau le haut du système d'extraction dans le sens transversal et longitudinal. À l'aide d'une clé de $\frac{9}{16}$ " , bloquer les pieds en place avec les contre-écrous.

7. Fixer la caisse de l'extracteur au plan de travail ou aux parois latérales des placards avec les équerres de montage sous plan de travail vissées précédemment à l'emplacement souhaité. Dans le cas d'une fixation à un plan de travail, utiliser les vis ou la méthode de montage recommandés pour le matériau.
8. Installer le support de cadre supérieur à l'aide des 12 vis à tête plate de 3,9 x 9 mm.
9. Installer le cadre supérieur.



A. 12 vis à tête plate
B. Cadre supérieur
C. Tiges de guidage du cadre supérieur
D. Trou pour les tiges de guidage du cadre supérieur
E. Support de cadre supérieur

Installation du système de ventilation en ligne (type externe) pour le système d'extraction par le bas

Préparation du montage du système de ventilation en ligne

Le système de ventilation en ligne doit être fixé à une structure sécurisée de la toiture, du plafond, mur, sol, ou une nouvelle charpente ou une charpente préexistante. Les 4 trous sur l'entrée (bas) ou la sortie (haut) du ventilateur doivent être utilisés pour monter le système de ventilation en ligne à la structure.

REMARQUE : Les emplacements des trous de montage doivent traverser les poteaux de colombage. Des pans à colombage supplémentaires pourraient s'avérer nécessaires. Il est possible d'utiliser du contreplaqué pour couvrir des zones ouvertes entre des solives (plafond ou plancher) ou des chevrons (toit) pour faciliter l'installation. Cette structure doit être suffisamment solide pour supporter le poids du système de ventilation en ligne (50 lb [22,7 kg] min).

Préparation du système de ventilation en ligne

⚠ AVERTISSEMENT

Risque du poids excessif

Utiliser deux ou plus de personnes pour déplacer et installer le système du moteur du ventilateur en ligne.

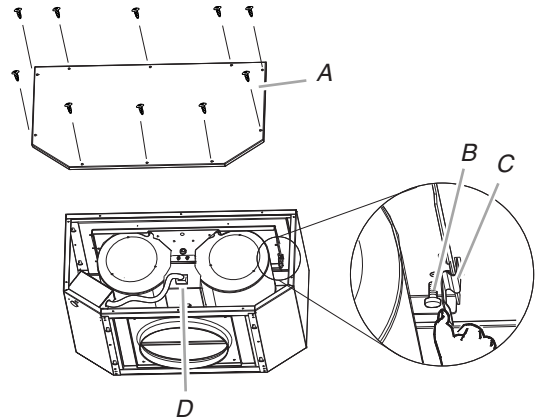
Le non-respect de cette instruction peut causer une blessure au dos ou d'autre blessure.

1. À 2 personnes au moins, déplacer le système de ventilation en ligne jusqu'à l'emplacement de montage.
2. Enlever les 10 vis du couvercle avant du carter du système de ventilation en ligne et les mettre de côté.
3. Enlever le couvercle avant du carter du système de ventilation en ligne et le mettre de côté.

REMARQUE : L'ensemble moteur-ventilateur peut être retiré pour faciliter le montage du carter du système de ventilation en ligne. Si l'on ne souhaite pas retirer l'ensemble moteur-ventilateur, passer à "Installation du système de ventilation en ligne" dans cette section.

4. Débrancher la prise électrique du moteur de l'ensemble moteur-ventilateur.
5. Enlever les vis qui fixent l'ensemble moteur-ventilateur au carter du système de ventilation en ligne et les mettre de côté.

6. Tirer sur la languette à ressort pour dégager l'ensemble moteur-ventilateur. Retirer l'ensemble moteur-ventilateur du carter et le placer sur une surface couverte.



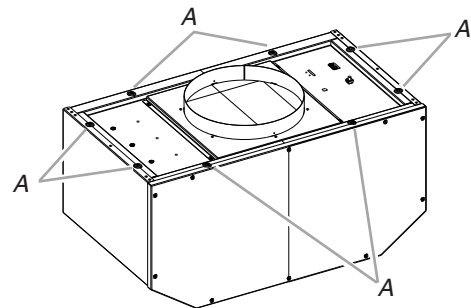
A. Couvercle avant
B. Vis de montage du système de ventilation

C. Languette à ressort
D. Prise électrique du moteur

Installation du système de ventilation en ligne

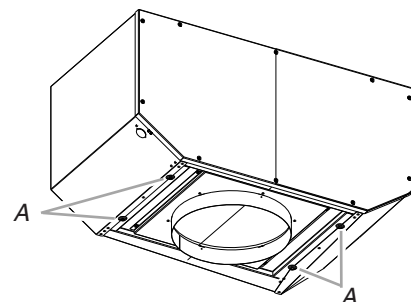
REMARQUE : Le carter du ventilateur peut être monté en utilisant 4 trous situés à l'entrée ou à la sortie du ventilateur.

Côté sortie



A. Trous de montage

Côté entrée



A. Trous de montage

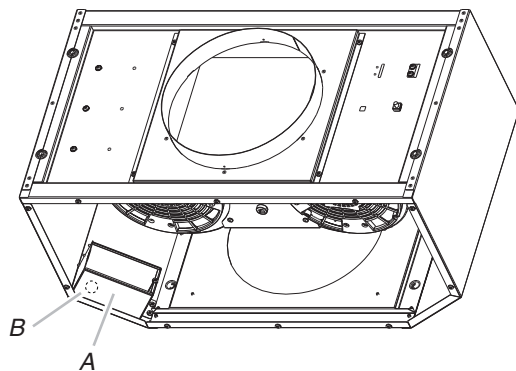
1. Positionner le carter du système de ventilation en ligne dans son emplacement de montage et marquer l'emplacement des 4 trous de montage.
2. Percer 4 avant-trous à l'aide d'un foret de $\frac{3}{16}$ " (4,8 mm).
3. Fixer le carter du système de ventilation en ligne à l'emplacement de montage avec 4 vis de montage et rondelles 6 x 80 mm.
4. Réinstaller l'ensemble moteur-ventilateur s'il a été enlevé et le fixer avec les vis enlevées précédemment.
5. Rebrancher le cordon de la fiche électrique du moteur au connecteur de l'ensemble moteur-ventilateur s'il a été enlevé.

Achever la préparation

1. Déterminer et marquer l'emplacement de toutes les lignes de découpage nécessaires pour le passage du circuit d'évacuation.

IMPORTANT : Lors des opérations de découpe et de perçage dans un plancher, un mur ou un plafond, veiller à ne pas endommager les câblages électriques ou autres canalisations intégrées.
2. Déterminer la position de la traversée du conduit de câblage de $\frac{1}{2}$ " (1,3 cm) par le plancher, le mur ou le plafond entre le système de ventilation en ligne et le système d'extraction par le bas.
3. Percer un trou de $1\frac{1}{4}$ " (3,2 cm) à cet endroit.
4. Situer les boîtiers de raccordement électrique dans la caisse du système de ventilation en ligne et le système d'extraction par le bas. Retirer les couvercles du boîtier de connexion et les mettre de côté avec les vis.

5. Retirer l'opercule de raccordement électrique de la caisse du système de ventilation en ligne et du système d'extraction par le bas pour préparer l'installation du conduit de câblage et du connecteur de conduit de $\frac{1}{2}$ " (1,3 cm) homologués UL ou CSA.
6. Le système d'extraction par le bas étant monté, acheminer le conduit de câblage de $\frac{1}{2}$ " (1,3 cm) entre la caisse du système de ventilation en ligne et le système d'extraction par le bas. Tirer suffisamment de conduit de câblage de $\frac{1}{2}$ " (1,3 cm) pour faciliter le raccordement aux boîtiers de connexion de la caisse du système de ventilation en ligne et du système d'extraction par le bas.
7. Passer les six conducteurs de 18 AWG par le conduit de câblage $\frac{1}{2}$ " (1,3 cm) et les connecteurs de conduit et dans les boîtiers de connexion de la caisse du système de ventilation en ligne et du système d'extraction par le bas. Laisser suffisamment de longueur de câble dans chaque boîtier de connexion afin de réaliser les connexions de câblage.
8. Installer les connecteurs de conduit et le conduit dans les boîtiers de connexion électrique de la caisse du système de ventilation en ligne et du système d'extraction par le bas.
9. Raccorder le circuit d'évacuation au système d'extraction par le bas et au système de ventilation en ligne et assurer l'étanchéité de tous les raccords avec des colliers.



A. Boîtier de connexion
B. Opercule arrachable

Réalisation des connexions électriques du système de ventilation en ligne

⚠ AVERTISSEMENT



Risque de choc électrique

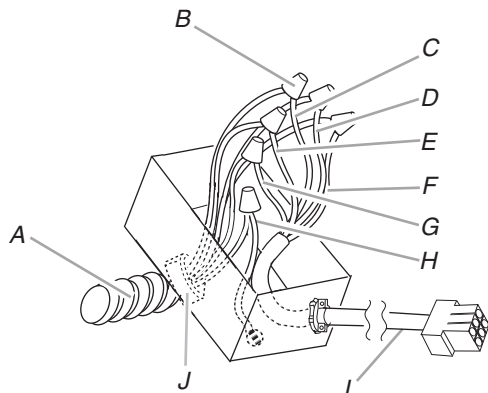
Déconnecter la source de courant électrique avant l'entretien.

Replacer pièces et panneaux avant de faire la remise en marche.

Le non-respect de ces instructions peut causer un décès ou un choc électrique.

Connexion électrique à l'intérieur du système du ventilateur en ligne

1. Déconnecter la source de courant électrique.
2. Connecter les fils du conduit de câblage aux fils de la fiche électrique du moteur qui se trouve à l'intérieur du boîtier de connexion de la caisse du système de ventilation en ligne.



A. Conduit de câblage de 1/2" (1,3 cm) homologué UL ou CSA

B. Connecteurs de fils (homologation UL)

C. Conducteurs noirs

D. Conducteurs blancs

E. Conducteurs rouges

F. Conducteurs bleus

G. Conducteurs gris

H. Conducteurs verts (ou jaune/vert) et vert/jaune

I. Câble de la fiche électrique du moteur

J. Serre-câble 1/2" (1,3 cm) (homologation UL ou CSA)

3. Connecter ensemble les conducteurs noirs (C) à l'aide de connecteurs de fils (homologation UL).
4. Connecter ensemble les conducteurs blancs (D) à l'aide de connecteurs de fils (homologation UL).
5. Connecter ensemble les conducteurs rouges (E) à l'aide de connecteurs de fils (homologation UL).
6. Connecter ensemble les conducteurs bleus (F) à l'aide de connecteurs de fils (homologation UL).

7. Connecter ensemble les conducteurs gris (G) à l'aide de connecteurs de fils (homologation UL).

⚠ AVERTISSEMENT



Risque de choc électrique

Relier le ventilateur à la terre.

Brancher le fil relié à la terre au fil vert et jaune relié à la terre dans la boîte de la borne.

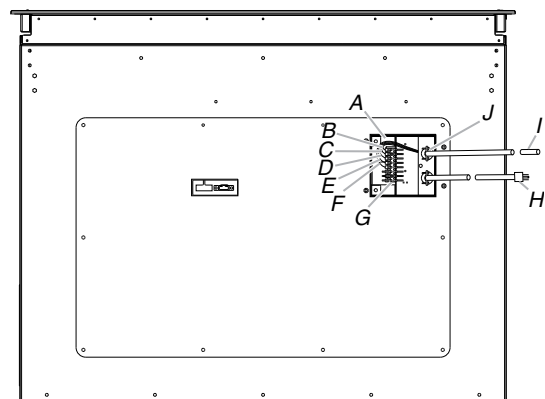
Le non-respect de ces instructions peut causer un décès ou un choc électrique.

8. Connecter le conducteur vert (ou jaune/vert) de liaison à la terre au conducteur de terre (vert-jaune) (H) du boîtier de raccordement avec des connecteurs de fils homologués UL.
9. Réinstaller le couvercle et les vis du boîtier de connexion du système de ventilation en ligne.
10. Réinstaller le couvercle avant de la caisse du système de ventilation en ligne et le fixer avec 10 vis de montage.

Raccordement électrique dans le système d'extraction par le bas avec le système de ventilation en ligne

REMARQUE : Laisser de côté le connecteur à 6 fils fourni avec le système de ventilation en ligne.

1. Le système d'extraction par le bas étant monté, rechercher le bornier à l'intérieur du boîtier de raccordement.
2. À l'aide d'un petit tournevis plat de 1/8", desserrer les vis des 5 emplacements libres du bornier.
3. Connecter les conducteurs du conduit de câblage du système de ventilation en ligne aux conducteurs de même couleur sur le bornier du boîtier de raccordement du système d'extraction par le bas (noir avec noir, blanc avec blanc, etc.).
4. Serrer les vis du bornier.



A. Boîtier de raccordement du système d'extraction par le bas

B. Conducteurs noirs

C. Conducteurs gris

D. Conducteurs rouges

E. Conducteurs blancs

F. Conducteurs verts (ou jaune/vert) et vert/jaune

G. Bornier

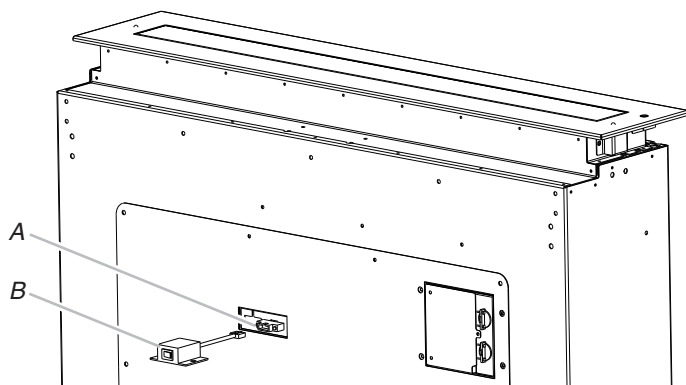
H. Cordon d'alimentation électrique

I. Conduit de câblage de 1/2" (1,3 cm) homologué UL ou CSA provenant du système de ventilation en ligne

J. Connecteur de conduit (homologation UL ou CSA) de 1/2" (1,3 cm)

Achever l'installation

1. Brancher le commutateur de montée/descente déporté en option dans le panneau avant de la caisse du système d'extraction.



A. Connecteur du commutateur de montée/descente déporté

B. Commutateur de montée/descente déporté

2. Utiliser les socles de montage d'attache-câble et les attache-câble pour acheminer le câblage du commutateur vers une zone facile d'accès à l'avant et à l'intérieur du placard.
3. Fixer le commutateur de montée/descente déporté au placard à l'aide de 2 vis.
4. Connecter le circuit d'évacuation au système de ventilation. Il faut que l'ouverture de décharge du circuit soit dotée d'une bouche de décharge (à travers le mur ou le toit). Utiliser du ruban adhésif en toile ou des colliers pour assurer l'étanchéité de tous les raccords.

Instructions de liaison à la terre

Cet appareil doit être relié à la terre. Au cas où un court-circuit se produirait, la liaison à la terre réduit le risque de choc électrique, en permettant au courant de s'échapper directement vers la terre. Cet appareil est équipé d'un cordon comportant un conducteur de liaison à la terre avec fiche de liaison à la terre. La fiche doit être branchée dans une prise correctement installée et reliée à la terre.

AVERTISSEMENT : Une mise à la terre incorrecte peut entraîner un risque de choc électrique.

Consulter un électricien qualifié si les instructions de mise à la terre n'ont pas été bien comprises, ou en cas de doute sur la qualité de la liaison à la terre de l'appareil.

Ne pas utiliser de câble de rallonge. Si le cordon d'alimentation électrique est trop court, faire installer une prise près de l'appareil par un électricien qualifié.

⚠ AVERTISSEMENT



Risque de choc électrique

Brancher sur une prise à 3 alvéoles reliée à la terre.

Ne pas enlever la broche de liaison à la terre.

Ne pas utiliser un adaptateur.

Ne pas utiliser un câble de rallonge.

Le non-respect de ces instructions peut causer un décès, un incendie ou un choc électrique.

REMARQUE : La prise à 3 alvéoles reliée à la terre doit se trouver sous la surface de la table de cuisson et ne peut pas être installée dans un placard fermé où elle serait inaccessible. Acheminer le cordon d'alimentation sous le système d'extraction par le bas et le placer à l'écart de la chaleur générée par la table de cuisson d'autres appareils.

1. Brancher le cordon d'alimentation à 3 broches dans la prise à 3 alvéoles reliée à la terre située dans le placard qui se trouve à l'emplacement d'installation de l'évent à aspiration par le bas.
2. Utiliser la télécommande ou le commutateur de montée/descente déporté pour redresser la hotte. (Voir la section "Fonctionnement de la télécommande"). Si l'extracteur ne monte pas, vérifier que le disjoncteur ne s'est pas déclenché et qu'aucun fusible n'est grillé.
3. Enlever les matériaux d'emballage.
4. Installer les filtres. Voir "Filtres" dans la section "Entretien du système d'extraction".
5. Installer le panneau en verre. Voir "Vitre" dans la section "Entretien du système d'extraction".

UTILISATION DU SYSTÈME D'EXTRACTION PAR LE BAS

Le système d'extraction par le bas est prévu pour éliminer les vapeurs, odeurs et fumées de cuisson.

- Pour un fonctionnement optimal, l'extracteur doit fonctionner avant d'entreprendre une cuisson.
- Lors de l'emploi d'un ustensile de grande taille, placer celui-ci sur un brûleur ou élément chauffant de grande taille, à l'arrière.
- Lorsque le système d'extraction fonctionne, il peut être nécessaire d'employer une puissance de chauffage plus élevée.
- Pour les tables de cuisson à gaz, le système d'extraction par le bas peut nuire à la stabilité de la flamme et à la cuisson. Pour améliorer les performances du brûleur, diminuer l'aspiration du système d'extraction par le bas ou augmenter le réglage de la flamme du brûleur de la table de cuisson.
- Pour les tables de cuisson à gaz dotées du système d'allumage à détection de flamme, le système d'extraction par le bas peut éloigner la flamme de l'allumeur à étincelles, qui pourrait alors produire des étincelles continuellement afin d'essayer de rallumer un brûleur déjà allumé. Pour résoudre ce problème de production continue d'étincelles par l'allumeur à étincelles, diminuer la vitesse du système d'extraction par le bas ou augmenter le réglage de la flamme de la table de cuisson pour ce brûleur.

Fonctionnement du système d'extraction par le bas

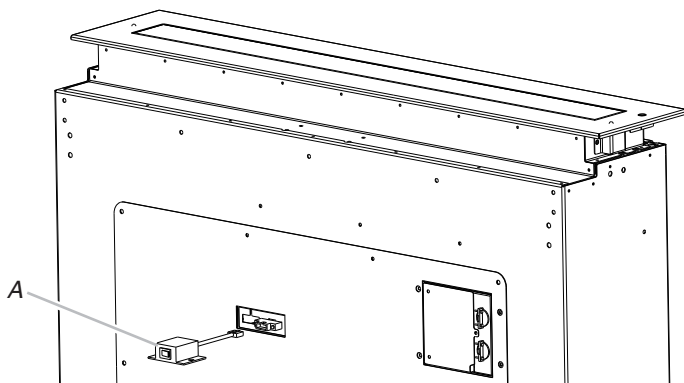
Utilisation du système d'extraction par le bas

REMARQUES :

- Le système d'extraction par le bas ne permet pas l'abaissement de l'extracteur lorsque la vitre est retirée.
- Le système d'extraction par le bas est muni d'un commutateur de montée/descente déporté, utilisable avec les commandes montées sur l'extracteur et une télécommande.

Commutateur de montée/descente déporté

Le commutateur de montée/descente déporté sert à lever et abaisser l'extracteur sans utiliser de télécommande.

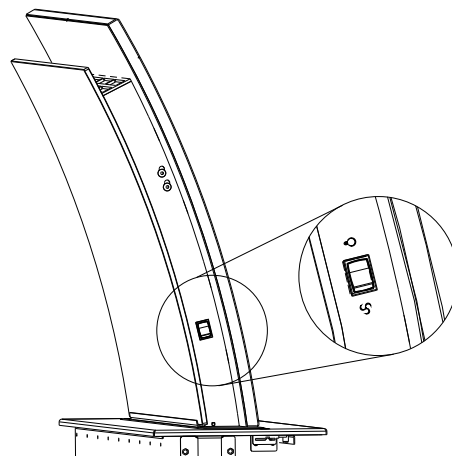


A. Commutateur de montée/descente déporté

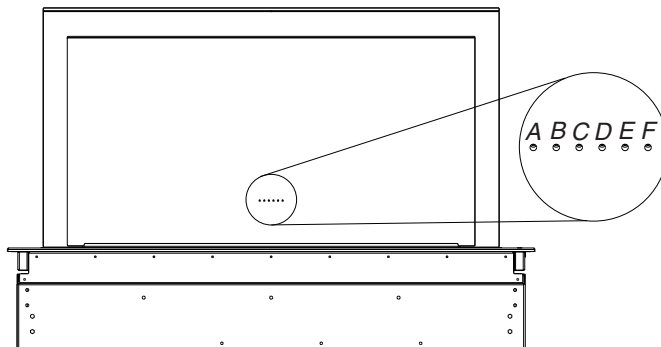
1. Appuyer sur le commutateur de montée/descente déporté pour lever et abaisser l'extracteur. Si le ventilateur et l'éclairage sont actifs, ils se désactivent dès que l'extracteur est abaissé.

Commandes montées sur l'extracteur

Les commandes montées sur l'extracteur servent à activer le ventilateur et à commander sa vitesse, ainsi qu'à allumer les lampes à la base, sans utiliser la télécommande.



1. Appuyer en haut du commutateur de commande pour allumer et éteindre les lampes de la base.
2. Appuyer en bas du commutateur de commande pour activer le ventilateur et augmenter sa vitesse de 1 jusqu'à 4, puis pour le désactiver. Le nombre de témoins lumineux de la vitesse du ventilateur augmente avec la vitesse et tous s'éteignent lorsque le ventilateur est éteint.



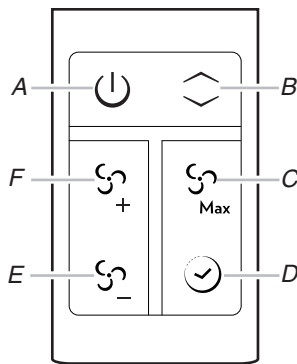
Témoins lumineux

- | | |
|---------------------------------------|--|
| A. Blanc : témoin d'arrêt automatique | D. Blanc : vitesse 3 |
| B. Blanc : vitesse 1 (basse) | E. Blanc : vitesse 4 |
| C. Blanc : vitesse 2 | F. Rouge : témoin de nettoyage des filtres |

REMARQUE : Le témoin de nettoyage des filtres s'allume après 30 heures de fonctionnement de l'extracteur. Voir la section "Entretien du système d'extraction" pour des informations sur le nettoyage des filtres.

Pour réinitialiser le témoin, appuyer sur le bouton d'augmentation de vitesse, sur la télécommande ou à droite de l'appareil, et le maintenir enfoncé pendant environ 7 secondes.

Fonctionnement de la télécommande



A. Marche/arrêt

B. Montée/descente

C. Vitesse maximale du ventilateur

D. Arrêt automatique du ventilateur

E. Baisse de vitesse du ventilateur

F. Hausse de vitesse du ventilateur

REMARQUE : Le capteur pour télécommande infrarouge est situé en haut à droite sur le cadre supérieur du système d'extraction. Lorsque la télécommande communique avec le capteur, un signal sonore retentit.

Marche/arrêt

- Lorsque l'extracteur est en position abaissée, le bouton de marche/arrêt le lève, allume les lampes et règle la vitesse du ventilateur sur 1 (minimum). Un seul témoin lumineux de vitesse s'allume.
- Lorsque l'extracteur est en position levée, le bouton de marche/arrêt l'abaisse et le témoin lumineux de vitesse s'éteint.

Montée/descente

- Le bouton de montée/descente lève et abaisse l'extracteur. Les lampes et le ventilateur se désactivent dans la position abaissée.

Hausse de vitesse du ventilateur

- Augmente la vitesse du ventilateur de la vitesse 1 à la vitesse 4. Le nombre de témoins lumineux de vitesse du ventilateur augmente avec la vitesse du ventilateur.

Baisse de vitesse du ventilateur

- Réduit la vitesse du ventilateur de la vitesse 4 à la vitesse 1. Le nombre de témoins lumineux de vitesse du ventilateur diminue avec la vitesse du ventilateur.

Vitesse maximale du ventilateur

- Règle le ventilateur directement à la vitesse 4 sans passer par les vitesses 1 à 3 et allume les témoins lumineux au nombre maximal.

Arrêt automatique (ventilateur uniquement)

- Réduit la vitesse du ventilateur par intervalles jusqu'à l'arrêt (33 minutes jusqu'à l'arrêt à partir de la vitesse maximale). Le témoin lumineux gauche clignote et les témoins lumineux de vitesse du ventilateur s'éteignent avec la réduction de vitesse du ventilateur.
- Réduction de la vitesse 4 à la vitesse 3 - (3 minutes).
- Réduction de la vitesse 3 à la vitesse 2 - (5 minutes).
- Réduction de la vitesse 2 à la vitesse 1 - (10 minutes).
- Réduction de la vitesse 1 à l'arrêt - (15 minutes).

REMARQUE : Si la télécommande ne fonctionne plus correctement, retirer les piles pendant une minute, puis les réinstaller (voir "Remplacement des piles de la télécommande" dans la section "Entretien du système d'extraction"). Cette opération réinitialise la télécommande à ses réglages d'origine. Si la télécommande ne fonctionne toujours pas correctement, remplacer les piles. La télécommande contient 2 piles CR2032.

ENTRETIEN DU SYSTÈME D'EXTRACTION

Surface du système d'extraction par le bas

Pour éviter d'endommager la finition, nettoyer les surfaces à l'eau savonneuse. Ne pas utiliser de solution de récurage ou un produit abrasif.

Surfaces extérieures :

Afin d'éviter d'endommager la surface extérieure, ne pas utiliser de tampons en laine d'acier ou de tampons à récurer savonneux. Toujours essuyer pour éviter de laisser des marques d'eau.

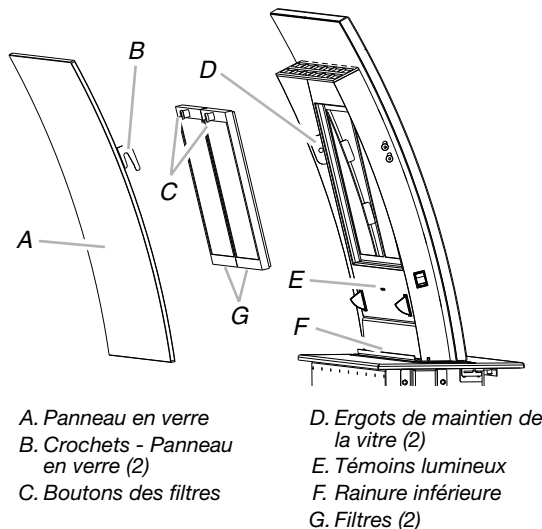
Méthode de nettoyage :

- Savon détergent liquide et eau, ou produit de nettoyage polyvalent.
- Frotter avec un chiffon doux humide ou une éponge non abrasive, puis rincer à l'eau propre et essuyer.

Vitre

Démontage :

1. L'extracteur doit être en position sortie. Voir la section "Utilisation du système d'extraction par le bas".
2. Saisir la vitre des deux côtés et la tirer vers le haut pour libérer ses crochets des ergots de maintien et de la rainure inférieure.



3. Laver les deux faces de la vitre à l'eau savonneuse tiède ou avec un produit lave-vitres.
4. Essuyer la vitre avec un chiffon doux humide ou une éponge non abrasive, puis la rincer à l'eau propre et la sécher.

Installation :

1. L'extracteur doit être en position levée. Voir la section "Utilisation du système d'extraction par le bas".
2. Les filtres doivent être installés avant de reposer la vitre. Voir la section "Filtres".
3. Aligner le bord inférieur de la vitre avec la rainure inférieure et passer les crochets par-dessus les ergots de l'extracteur.
4. Abaisser la vitre pour emboîter les crochets sur les ergots et insérer la tranche inférieure de la vitre dans la rainure.

Filtres

Enlever et nettoyer fréquemment les filtres de la section rétractable du système d'extraction par le bas. Cette précaution optimisera l'efficacité de fonctionnement.

REMARQUE : Le panneau en verre doit être démonté avant le retrait des filtres. Voir "Démontage" dans la section "Vitre".

Remplacement ou nettoyage :

1. Pour retirer chaque filtre, tirer sur le bouton et soulever.
2. Laver le filtre métallique selon le besoin au lave-vaisselle ou avec une solution de détergent chaude, puis le sécher.
3. Réinstaller le filtre en s'assurant que les boutons sont orientés vers l'avant. Insérer le filtre à graisse métallique dans la rainure inférieure.
4. En le poussant vers le haut, le filtre métallique trouve sa place par fixation magnétique.
5. Répéter les étapes 1 à 4 pour l'autre filtre.
6. Réinstaller le panneau en verre. Voir "Installation" dans la section "Vitre".

Remplacement des piles de la télécommande

Retrait de la pile :

1. Dévisser le petit couvercle à l'arrière à l'aide d'un petit tournevis cruciforme.
2. Glisser le bas du couvercle vers le haut pour le retirer. Il possède une fente à son extrémité et est maintenu par fixation magnétique.
3. Retirer la pile en la poussant vers le centre pour dégager son rebord des 2 pattes de maintien et la sortir.
4. Répéter l'étape 3 pour l'autre pile.

Changement de piles :

1. Placer la pile dans son logement, face positive (+) vers le haut. Pousser la pile vers la gauche contre le ressort et appuyer pour l'emboîter sous les 2 pattes de maintien.
2. Répéter l'étape 1 pour l'autre pile.
3. Remonter le petit couvercle à l'arrière. Passer la languette d'extrémité sous la coque arrière et l'emboîter.
4. À l'aide d'un petit tournevis cruciforme, revisser le petit couvercle.

REMARQUE : La télécommande contient 2 piles lithium de 3 V CR2032.

INSTRUCTIONS DE DÉPANNAGE POUR L'UTILISATEUR

⚠ AVERTISSEMENT



Risque de choc électrique

Déconnecter la source de courant électrique avant l'entretien.

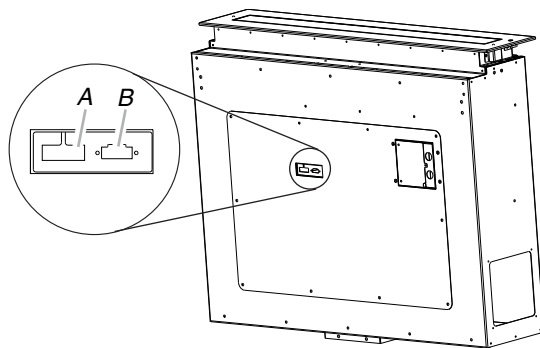
Replacer pièces et panneaux avant de faire la remise en marche.

Le non-respect de ces instructions peut causer un décès ou un choc électrique.

REMARQUE : Si la hotte ne fonctionne pas, vérifier que le disjoncteur ne s'est pas déclenché et que l'appareil est sous tension.

Remplacement du fusible

1. Déconnecter la source de courant électrique.
2. À l'aide d'un tournevis à lame plate, détacher le fusible du panneau avant du système d'extraction par le bas.
3. Retirer le fusible du porte-fusible en appuyant sur le bas du fusible avec le tournevis.

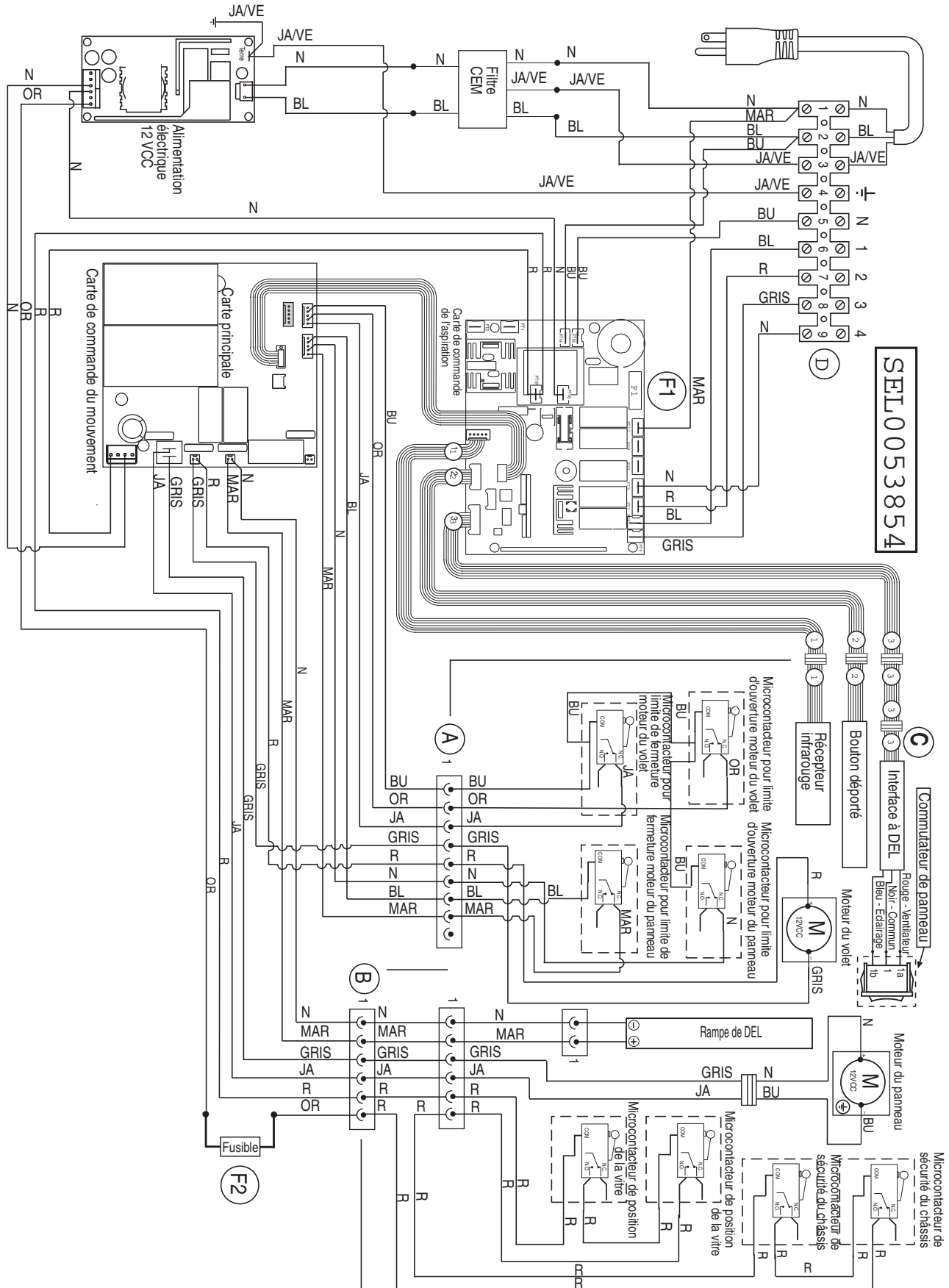


A. Porte-fusible

B. Commutateur de montée/descente déporté

4. Pour éviter tout risque d'incendie, remplacer le fusible par un fusible non temporisé de 125 volts, 5 ampères.
5. Enfoncer le couvercle jusqu'à ce qu'il s'emboîte.
6. Reconnecter la source de courant électrique.

SCHÉMA DE CÂBLAGE



ASSISTANCE OU SERVICE

Si vous avez besoin de service

Consulter la page de garantie du présent manuel.

Si vous avez besoin de pièces de rechange

Si vous avez besoin de commander des pièces de rechange, nous vous recommandons d'utiliser seulement des pièces spécifiées par l'usine. Les pièces spécifiées par l'usine conviendront et fonctionneront bien car elles sont fabriquées avec la même précision que celles utilisées pour fabriquer chaque nouvel appareil.

Pour localiser des pièces spécifiées par l'usine dans votre région, composer le numéro de téléphone d'aide à la clientèle suivant ou appeler le centre de service désigné le plus proche.

Au Canada

Téléphoner sans frais au Centre pour l'eXpérience de la clientèle Whirlpool Canada LP au **1-800-JENN-AIR (1-800-536-6247)** ou visiter notre site Internet sur **www.jennair.ca**.

Nos consultants peuvent vous aider sur les points suivants :

- Appeler pour demander une intervention de dépannage. Les techniciens de service désignés par Jenn-Air® sont formés pour remplir la garantie des produits et fournir un service après la garantie, partout au Canada.
- Caractéristiques et spécifications de notre gamme complète d'appareils ménagers.
- Références aux concessionnaires locaux Jenn-Air®.
- Renseignements pour l'installation.
- Procédés d'utilisation et d'entretien.
- Vente d'accessoires et de pièces de rechange.

Pour de l'aide supplémentaire

Si vous avez besoin d'aide supplémentaire, vous pouvez écrire à Jenn-Air® Appliances en soumettant toute question ou problème à :

Jenn-Air Brand Home Appliances
Customer eXperience Centre
200 - 6750 Century Ave.
Mississauga, Ontario L5N 0B7

Veillez indiquer dans votre correspondance un numéro de téléphone où l'on peut vous joindre dans la journée.

Accessoires

REMARQUE : Les instructions sont fournies avec chaque ensemble.

Système de ventilation (1 système nécessaire)

Système de ventilation en ligne de 600 pi³/min

Commander le modèle numéro UXI0600DYS

Système de ventilation en ligne de 1200 pi³/min

Commander le modèle numéro UXI1200DYS

Système d'air d'appoint rond de 10" (25,4 cm)

Commander la pièce numéro W10446917

GARANTIE LIMITÉE DES GROS APPAREILS MÉNAGERS JENN-AIR®

ATTACHEZ ICI VOTRE REÇU DE VENTE. UNE PREUVE D'ACHAT EST OBLIGATOIRE POUR OBTENIR L'APPLICATION DE LA GARANTIE.

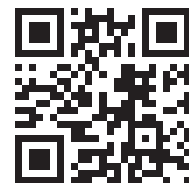
Lorsque vous appelez le centre d'eXpérience de la clientèle, veuillez garder à disposition les renseignements suivants :

- Nom, adresse et numéro de téléphone
- Numéros de modèle et de série
- Une description claire et détaillée du problème rencontré
- Une preuve d'achat incluant le nom et l'adresse du marchand ou du détaillant

SI VOUS AVEZ BESOIN DE SERVICE :

1. Avant de nous contacter pour obtenir un dépannage, veuillez déterminer si des réparations sont nécessaires pour votre produit. Certains problèmes peuvent être résolus sans intervention de dépannage. Prenez quelques minutes pour parcourir la section Dépannage ou Résolution de problèmes du guide d'utilisation et d'entretien, numérisé le code 2D ci-contre avec votre téléphone intelligent pour accéder à des ressources supplémentaires, ou rendez-vous sur le site <http://www.jennair.ca>.
2. Tout service sous garantie doit être effectué exclusivement par nos fournisseurs de dépannage autorisés Jenn-Air. Aux E.-U. et au Canada, dirigez toutes vos demandes de service sous garantie au

Centre d'eXpérience de la clientèle Jenn-Air
1-800-JENNAIR (1-800-536-6247)



<http://www.jennair.ca>

Si vous résidez à l'extérieur du Canada et des 50 États des États-Unis, contactez votre marchand Jenn-Air autorisé pour déterminer si une autre garantie s'applique.

GARANTIE LIMITÉE DE DEUX ANS

CE QUI EST COUVERT

Pendant deux ans à compter de la date d'achat, lorsque ce gros appareil ménager est installé, utilisé et entretenu conformément aux instructions jointes à ou fournies avec le produit, la marque Jenn-Air de Whirlpool Corporation ou Whirlpool Canada, LP (ci-après désignées "Jenn-Air") décidera à sa seule discrétion de remplacer le produit ou de couvrir le coût des pièces spécifiées par l'usine et de la main-d'œuvre nécessaires pour corriger les vices de matériaux ou de fabrication qui existaient déjà lorsque ce gros appareil ménager a été acheté. S'il est remplacé, l'appareil sera couvert pour la période restant à courir de la garantie limitée d'un an du produit d'origine.

LE SEUL ET EXCLUSIF RECOURS DU CLIENT DANS LE CADRE DE LA PRÉSENTE GARANTIE LIMITÉE CONSISTE EN LA RÉPARATION PRÉVUE PAR LA PRÉSENTE. Le service doit être fourni par une compagnie de service désignée par Jenn-Air. Cette garantie limitée est valide uniquement aux États-Unis ou au Canada et s'applique exclusivement lorsque le gros appareil ménager est utilisé dans le pays où il a été acheté. La présente garantie limitée est valable à compter de la date d'achat initial par le consommateur. Une preuve de la date d'achat initial est exigée pour obtenir un dépannage dans le cadre de la présente garantie limitée.

CE QUI N'EST PAS COUVERT

1. Usage commercial, non résidentiel ou par plusieurs familles, ou non-respect des instructions de l'utilisateur, de l'opérateur ou des instructions d'installation.
2. Visite d'instruction à domicile pour montrer à l'utilisateur comment utiliser l'appareil.
3. Visites de service pour rectifier une installation ou un entretien fautifs du produit, une installation non conforme aux codes d'électricité ou de plomberie, ou la rectification de l'installation électrique ou de la plomberie du domicile (ex : câblage électrique, fusibles ou tuyaux d'arrivée d'eau du domicile).
4. Pièces consommables (ex : ampoules, batteries, filtres à air ou à eau, solutions de conservation, etc.).
5. Défauts ou dommage résultant de l'utilisation de pièces ou accessoires Jenn-Air non authentiques.
6. Conversion de votre produit du gaz naturel ou du gaz de pétrole liquéfié.
7. Dommages causés par : accident, mésusage, abus, incendie, inondations, catastrophe naturelle ou l'utilisation de produits non approuvés par Jenn-Air.
8. Réparations aux pièces ou systèmes dans le but de rectifier un dommage ou des défauts résultant d'une réparation, altération ou modification non autorisée faite à l'appareil.
9. Défauts d'apparence, notamment les éraflures, traces de choc, fissures ou tout autre dommage causés au fini de l'appareil ménager, à moins que ces dommages ne résultent de vices de matériaux ou de fabrication et ne soient signalés à Jenn-Air dans les 30 jours suivant la date d'achat.
10. Décoloration, rouille ou oxydation des surfaces résultant d'environnements caustiques ou corrosifs incluant des concentrations élevées de sel, un haut degré d'humidité ou une exposition à des produits chimiques.
11. Perte d'aliments ou de médicaments due à la défaillance du produit.
12. Enlèvement ou livraison. Ce produit est conçu pour être réparé au domicile.
13. Frais de déplacement et de transport pour le dépannage/la réparation dans une région éloignée où une compagnie de service Jenn-Air autorisée n'est pas disponible.
14. Retrait ou réinstallation d'appareils inaccessibles ou de dispositifs préinstallés (ex : garnitures, panneaux décoratifs, plancher, meubles, îlots de cuisine, plans de travail, panneaux de gypse, etc.) qui entravent le dépannage, le retrait ou le remplacement du produit.
15. Service et pièces pour des appareils dont les numéros de série

Le coût d'une réparation ou d'un remplacement dans le cadre de ces circonstances exclues est à la charge du client.

CLAUSE D'EXONÉRATION DE RESPONSABILITÉ AU TITRE DES GARANTIES IMPLICITES

LES GARANTIES IMPLICITES, Y COMPRIS LES GARANTIES APPLICABLES DE QUALITÉ MARCHANDE OU D'APTITUDE À UN USAGE PARTICULIER, SONT LIMITÉES À UN AN OU À LA PLUS COURTE PÉRIODE AUTORISÉE PAR LA LOI. Certains états et provinces ne permettent pas de limitation sur la durée des garanties implicites de qualité marchande ou d'aptitude à un usage particulier, de sorte que la limitation ci-dessus peut ne pas être applicable dans votre cas. Cette garantie vous confère des droits juridiques spécifiques et vous pouvez également jouir d'autres droits qui peuvent varier d'une juridiction à l'autre.

EXONÉRATION DE RESPONSABILITÉ DANS LES DOMAINES NON COUVERTS PAR LA GARANTIE

Jenn-Air décline toute responsabilité au titre de la qualité, de la durabilité ou en cas de dépannage ou de réparation nécessaire sur ce gros appareil ménager autre que les responsabilités énoncées dans la présente garantie. Si vous souhaitez une garantie plus étendue ou plus complète que la garantie limitée fournie avec ce gros appareil ménager, adressez-vous à Jenn-Air ou à votre détaillant pour obtenir les modalités d'achat d'une garantie étendue.

LIMITATION DES RECOURS; EXCLUSION DES DOMMAGES FORTUITS OU INDIRECTS

LE SEUL ET EXCLUSIF RECOURS DU CLIENT DANS LE CADRE DE LA PRÉSENTE GARANTIE LIMITÉE CONSISTE EN LA RÉPARATION PRÉVUE PAR LA PRÉSENTE. JENN-AIR N'ASSUME AUCUNE RESPONSABILITÉ POUR LES DOMMAGES FORTUITS OU INDIRECTS. Certains états et certaines provinces ne permettent pas l'exclusion ou la limitation des dommages fortuits ou indirects de sorte que ces limitations et exclusions peuvent ne pas être applicables dans votre cas. Cette garantie vous confère des droits juridiques spécifiques et vous pouvez également jouir d'autres droits qui peuvent varier d'une juridiction à l'autre.

