



INSTALLATION INSTRUCTIONS

30" (76.2 CM), 36" (91.4 CM) AND 48" (121.9 CM)

COMMERCIAL STYLE GAS COOKTOPS

for residential use only

INSTRUCTIONS D'INSTALLATION - TABLES DE CUISSON À GAZ DE 30" (76,2 CM), 36" (91,4 CM) ET 48" (121,9 CM) - MODÈLE COMMERCIAL

pour utilisation résidentielle uniquement

Table of Contents/Table des matières

COOKTOP SAFETY	2	SÉCURITÉ DE LA TABLE DE CUISSON	16
INSTALLATION REQUIREMENTS	3	EXIGENCES D'INSTALLATION	17
Tools and Parts	3	Outillage et pièces.....	17
Location Requirements	3	Exigences d'emplacement.....	18
Electrical Requirements	5	Spécifications électriques	21
Gas Supply Requirements	6	Spécifications de l'alimentation en gaz	21
INSTALLATION INSTRUCTIONS	7	INSTRUCTIONS D'INSTALLATION	22
Install Cooktop	7	Installation de la table de cuisson.....	22
Install Optional Backguard.....	7	Installation du dossier facultatif	23
Make Gas Connection.....	7	Raccordement au gaz.....	23
Install Griddle.....	9	Installation de la plaque à frire	24
Complete Installation.....	9	Achever l'installation	25
GAS CONVERSIONS	11	CONVERSIONS POUR CHANGEMENT DE GAZ	27
LP Gas Conversion	11	Conversion pour l'alimentation au propane.....	27
Natural Gas Conversion	12	Conversion pour l'alimentation au gaz naturel	29
WIRING DIAGRAMS	14	SCHÉMA DES CIRCUITS	30
STRIP CIRCUIT	15	SCHÉMA DE CÂBLAGE	31

IMPORTANT:

Installer: Leave installation instructions with the homeowner.
Homeowner: Keep installation instructions for future reference.

IMPORTANT :

Installateur : Remettre les instructions d'installation au propriétaire.
Propriétaire : Conserver les instructions d'installation pour référence ultérieure.

COOKTOP SAFETY

Your safety and the safety of others are very important.

We have provided many important safety messages in this manual and on your appliance. Always read and obey all safety messages.



This is the safety alert symbol.

This symbol alerts you to potential hazards that can kill or hurt you and others.

All safety messages will follow the safety alert symbol and either the word “DANGER” or “WARNING.” These words mean:

⚠ DANGER

You can be killed or seriously injured if you don't immediately follow instructions.

⚠ WARNING

You can be killed or seriously injured if you don't follow instructions.

All safety messages will tell you what the potential hazard is, tell you how to reduce the chance of injury, and tell you what can happen if the instructions are not followed.

WARNING: If the information in this manual is not followed exactly, a fire or explosion may result causing property damage, personal injury or death.

- Do not store or use gasoline or other flammable vapors and liquids in the vicinity of this or any other appliance.
- **WHAT TO DO IF YOU SMELL GAS:**
 - Do not try to light any appliance.
 - Do not touch any electrical switch.
 - Do not use any phone in your building.
 - Immediately call your gas supplier from a neighbor's phone. Follow the gas supplier's instructions.
 - If you cannot reach your gas supplier, call the fire department.
- Installation and service must be performed by a qualified installer, service agency or the gas supplier.

WARNING: Gas leaks cannot always be detected by smell.

Gas suppliers recommend that you use a gas detector approved by UL or CSA.

For more information, contact your gas supplier.

If a gas leak is detected, follow the “What to do if you smell gas” instructions.

In the State of Massachusetts, the following installation instructions apply:

- Installations and repairs must be performed by a qualified or licensed contractor, plumber, or gasfitter qualified or licensed by the State of Massachusetts.
- If using a ball valve, it shall be a T-handle type.
- A flexible gas connector, when used, must not exceed 3 feet.

INSTALLATION REQUIREMENTS

Tools and Parts

Gather the required tools and parts before starting installation. Read and follow the instructions provided with any tools listed here.

Tools Needed

- Adjustable wrench
- Tape measure
- Marker or pencil
- Pipe wrench
- Flat-blade screwdriver
- 1⁵/₁₆" combination wrench
- Wrench or pliers
- Pipe-joint compound resistant to LP gas
- Noncorrosive leak-detection solution

For LP/Natural Gas Conversions

- T15 Torx^{®†} screwdriver
- Adjustable wrench
- 3/8" drive ratchet
- 7/8" socket
- 1/2" deep-well socket
- 7 mm nut driver
- Masking tape

Parts Supplied

Check that all parts are included.

- Gas pressure regulator
- Burner grates
- Burner heads and caps
- Griddle drip tray (on griddle models)
- Foam tape
- LP orifice package (W10221288)
- Conversion label (W10221320)

NOTE: The cooktop is manufactured for use with Natural gas. To convert to LP gas, see the "Gas Conversions" section.

Optional Backguards

48" (121.9 cm) models must be installed with a backsplash if installing at zero clearance to a combustible backwall. See "Cabinet Dimensions" in the "Location Requirements" section for installation requirements.

- 36" (91.4 cm) Retractable Backguard
Order Part Number 8284756
- 48" (121.9 cm) Retractable Backguard
Order Part Number 8284755
- 9" (22.9 cm) Backguard for 36" (91.4 cm) Cooktops
Order Part Number W10115776
- 9" (22.9 cm) Backguard for 48" (121.9 cm) Cooktops
Order Part Number W10115777
- 33¹/₂" (85.0 cm) Retractable Backguard with Wire Shelf for 36" (91.4 cm) Cooktops
Order Part Number W10285448
- 33¹/₂" (85.0 cm) Retractable Backguard with Wire Shelf for 48" (121.9 cm) Cooktops
Order Part Number W10285449

To order, see the "Assistance or Service" section of the Use and Care Guide.

Check local codes and consult gas supplier. Check existing gas supply and electrical supply. See "Electrical Requirements" and "Gas Supply Requirements" sections.

High Altitude Conversion

To convert the cooktop for elevations above 6,560 ft (1999.5 m), order a High Altitude Conversion Kit.

- Part Number W10237848 - LP high altitude
- Part Number W10160841 - Natural gas high altitude

To order, see the "Assistance or Service" section of the Use and Care Guide.

Location Requirements

IMPORTANT: Observe all governing codes and ordinances. Do not obstruct flow of combustion and ventilation air.

- It is the installer's responsibility to comply with installation clearances specified on the model/serial rating plate. The model/serial rating plate is located on the underside of the cooktop burner base.
- It is recommended that a 600 CFM or larger vent hood be installed above the cooktop.
- It is not recommended that a microwave hood combination be mounted above the cooktop.
- The cooktop should be installed in a location away from strong draft areas, such as windows, doors and strong heating vents or fans.
- All openings in the wall or floor where cooktop is to be installed must be sealed.
- Cabinet opening dimensions that are shown must be used. Given dimensions are minimum clearances.
- Grounded electrical supply is required. See "Electrical Requirements" section.
- Proper gas supply connection must be available. See "Gas Supply Requirements" section.
- The cooktop is designed to hang from the countertop by its side or rear flanges.
- The gas and electric supply should be located as shown in "Gas and Electric Connection Locations" section so that they are accessible without requiring removal of the cooktop.
- Provide cutout in left rear corner of cutout enclosure as shown to provide clearance for gas inlet, power supply cord, and to allow the rating label to be visible.

IMPORTANT: To avoid damage to your cabinets, check with your builder or cabinet supplier to make sure that the materials used will not discolor, delaminate or sustain other damage.

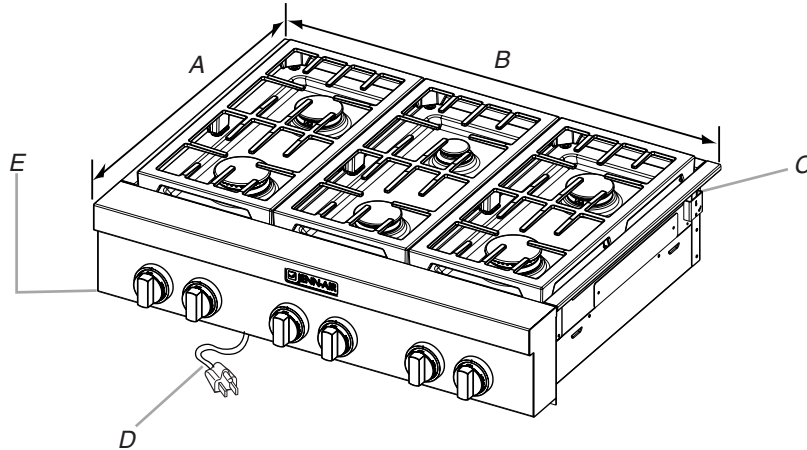
Mobile Home - Additional Installation Requirements

The installation of this cooktop must conform to the Manufactured Home Construction and Safety Standard, Title 24 CFR, Part 3280 (formerly the Federal Standard for Mobile Home Construction and Safety, Title 24, HUD Part 280). When such standard is not applicable, use the Standard for Manufactured Home Installations, ANSI A225.1/NFPA 501A or local codes.

In Canada, the installation of this cooktop must conform with the current standards CAN/CSA-A240-latest edition, or with local codes.

†®TORX is a registered trademark of Acument Intellectual Properties, LLC.

Product Dimensions



A. 27 1/8" (68.9 cm)

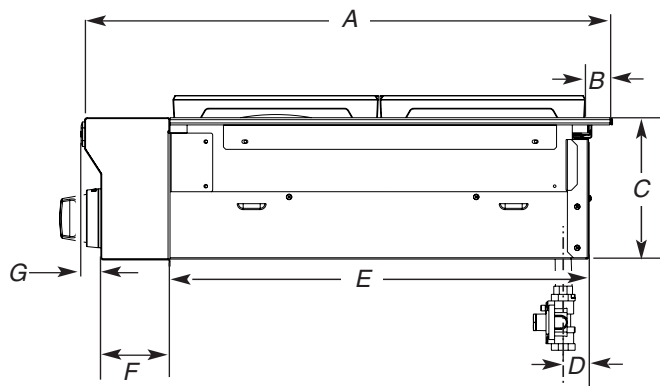
B. 30" (76.2 cm) cooktop: 29 7/8" (75.1 cm) actual width
 36" (91.4 cm) cooktop: 35 7/8" (90.4 cm) actual width
 48" (121.9 cm) cooktop: 47 7/8" (120.8 cm) actual width

C. Island trim or optional backguard

D. 36" (91.4 cm) long 3 prong grounding-type power supply cord

E. Model/serial rating plate (located on the underside of the cooktop burner base)

Side View of Cooktop



A. 27 3/4" (70.5 cm)

B. 1 1/4" (3.2 cm)

C. 7 7/16" (18.8 cm)

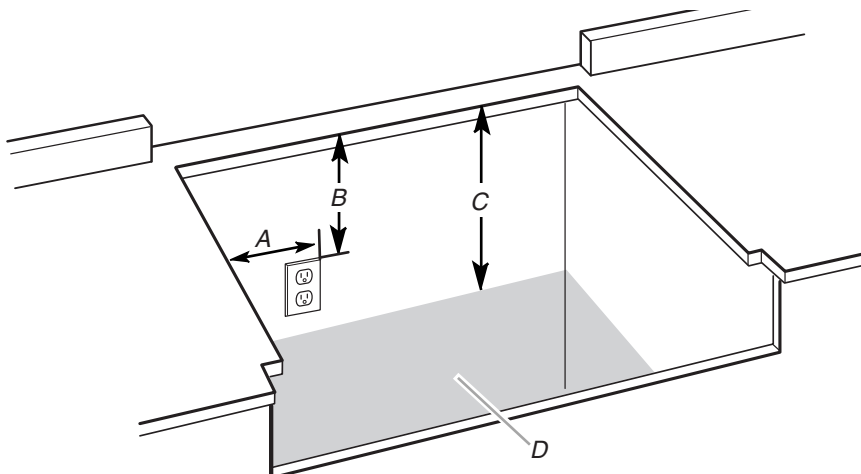
D. Gas inlet is located 1 7/8" (4.8 cm) from the back of the cooktop burner base and 4 7/8" (12.4 cm) in from left-hand side of the cooktop burner base.

E. 22" (55.9 cm)

F. 3 9/16" (8.4 cm)

G. 9/16" (1.4 cm)

Gas and Electric Connection Locations



A. Grounded 3-prong outlet should be located on left-hand side of the cutout 16" (40.6 cm) max. from enclosure sidewall

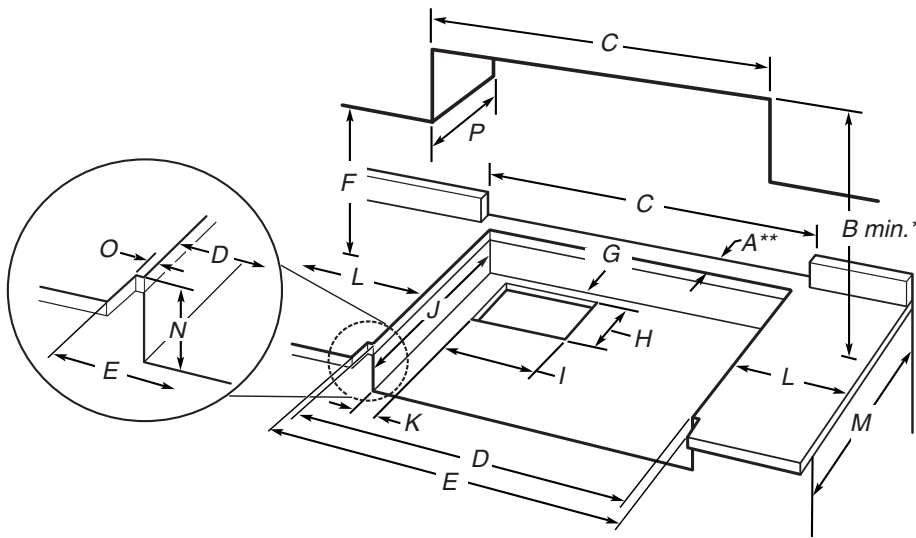
B. 10" (25.4 cm) min. clearance from countertop to top of the outlet

C. 14" (35.6 cm) countertop to the gas supply line

D. Gas supply line should be located in this area on rear or side walls, or the supply line can come up through the floor.

NOTE: Solid side and bottom of cutout enclosure not shown.

Cabinet Requirements



- A. See chart.
- B. See chart.
- C. See chart.
- D. See chart.
- E. See chart.
- F. 18" (45.7 cm) min. clearance upper cabinet to countertop
- G. 3/4" (1.9 cm) back of cabinet cutout to gas opening cutout
- H. 6 7/8" (16.1 cm) gas opening cutout depth
- I. 12 1/2" (31.7 cm) gas opening cutout width
- J. 22 1/4" (56.5 cm) cabinet cutout depth
- K. 2" (5.1 cm) cabinet side to gas cutout
- L. 6" (15.2 cm) min. distance on both sides of the cooktop to the side wall or other combustible material above cooking surface
- M. 24" (61.0 cm) cabinet depth
- N. 7 1/4" (18.4 cm) cabinet depth to countertop
- O. Notch to be equal on both sides
- P. 13" (33.0 cm) upper cabinet depth

Size	Model	A** Cooktop Cutout to Back Wall	B* Cooktop to Cabinet	C Optional Backguard and Upper Cabinet Opening	D Cabinet and Countertop	E Countertop Only
30" (76.2 cm)	JGCP430	1 3/4" (4.4 cm)**	30" (76.2 cm)	30" (76.2 cm)	29 1/4" (74.3 cm)	30" (76.2 cm) or 29 7/8" (75.9 cm) for zero clearance
36" (91.4 cm)	JGCP436 JGCP536	1 3/4" (4.4 cm)**	42" (106.7 cm)	36" (91.4 cm)	35 1/4" (89.5 cm)	36" (91.4 cm) or 35 7/8" (91.1 cm) for zero clearance
48" (121.9 cm)	JGCP548	1 3/4" (4.4 cm)**	42" (106.7 cm)	48" (121.9 cm)	47 1/4" (120.0 cm)	48" (121.9 cm) or 47 7/8" (121.6 cm) for zero clearance

***NOTES:** Dimension "B" can be reduced by 6" (15.2 cm) when bottom of wood or metal cabinet is covered by not less than 0.25" (6.4 mm) flame retardant millboard covered with not less than No. 28 MSG sheet metal, 0.015" (0.4 mm) stainless steel, 0.024" (0.6 mm) aluminum or 0.020" (0.5 mm) copper.

If installing a range hood above the cooktop, follow the range hood instructions for dimensional clearances above the cooktop surface.

****NOTE:** If backwall is constructed of a combustible material and a backguard is not installed, a minimum clearance of dimension A + 3" (7.6 cm) is required for 36" (91.4 cm) and 48" (121.9 cm) cooktops.

Electrical Requirements

⚠ WARNING



Electrical Shock Hazard

Plug into a grounded 3 prong outlet.

Do not remove ground prong.

Do not use an adapter.

Do not use an extension cord.

Failure to follow these instructions can result in death, fire, or electrical shock.

IMPORTANT: The cooktop must be electrically grounded in accordance with local codes and ordinances, or in the absence of local codes, with the National Electrical Code, ANSI/NFPA 70 or Canadian Electrical Code, CSA C22.1.

This cooktop is equipped with an electronic ignition system that will not operate if plugged into an outlet that is not properly polarized.

If codes permit and a separate ground wire is used, it is recommended that a qualified electrical installer determine that the ground path is adequate.

A copy of the above code standards can be obtained from:

National Fire Protection Association
One Batterymarch Park
Quincy, MA 02269

CSA International
8501 East Pleasant Valley Road
Cleveland, Ohio 44131-5575

- A 120 volt, 60 Hz, AC only, 15-amp, fused electrical circuit is required. A time-delay fuse or circuit breaker is also

recommended. It is recommended that a separate circuit serving only this cooktop be provided.

- Electronic ignition systems operate within wide voltage limits, but proper grounding and polarity are necessary. Check that the outlet provides 120-volt power and is correctly grounded.
- The wiring diagrams are provided with this cooktop. The wiring diagrams are located inside the control console and in the "Wiring Diagrams" section.

Gas Supply Requirements

⚠ WARNING



Explosion Hazard

Use a new CSA International approved gas supply line.

Install a shut-off valve.

Securely tighten all gas connections.

If connected to LP, have a qualified person make sure gas pressure does not exceed 14" (36 cm) water column.

Examples of a qualified person include:

licensed heating personnel,
authorized gas company personnel, and
authorized service personnel.

Failure to do so can result in death, explosion, or fire.

Observe all governing codes and ordinances.

IMPORTANT: This installation must conform with all local codes and ordinances. In the absence of local codes, installation must conform with American National Standard, National Fuel Gas Code ANSI Z223.1 - latest edition or CAN/CGA B149 - latest edition.

IMPORTANT: Leak testing of the cooktop must be conducted according to the manufacturer's instructions.

Type of Gas

Natural Gas:

This cooktop is design-certified by CSA International for use with Natural gas or, after proper conversion, for use with LP gas.

- This cooktop is factory-set for use with Natural gas. To convert to LP gas, see the Gas Conversion instructions provided in the package containing literature. The model/serial rating plate located on the left underside of the cooktop burner base has information on the types of gas that can be used. If the types of gas listed do not include the type of gas available, check with the local gas supplier.

LP Gas conversion:

Conversion must be done by a qualified service technician.

No attempt shall be made to convert the cooktop from the gas specified on the model/serial rating plate for use with a different gas without consulting the serving gas supplier. To convert to LP gas, use the LP gas conversion kit provided with the cooktop and see the "Gas Conversions" section.

†TEFLON is a registered trademark of E.I. Du Pont De Nemours and Company.

Gas Supply Line

- Provide a gas supply line of 3/4" (1.9 cm) rigid pipe to the cooktop location. A smaller size pipe on longer runs may result in insufficient gas supply. With LP gas, piping or tubing size can be 1/2" (1.3 cm) minimum. Usually, LP gas suppliers determine the size and materials used in the system.

NOTE: Pipe-joint compounds that resist the action of LP gas must be used. Do not use TEFLON^{®†} tape.

Flexible metal appliance connector:

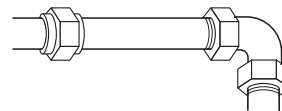
- If local codes permit, a new CSA design-certified, 4 - 5 ft (122 - 152.4 cm) long, 5/8" (1.6 cm) or 3/4" (1.9 cm) I.D., flexible metal appliance connector may be used for connecting the cooktop to the gas supply line.



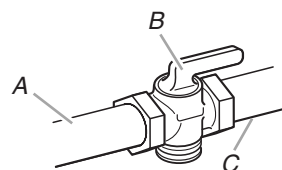
- A 1/2" (1.3 cm) male pipe thread is needed for connection to the female pipe threads of the inlet to the appliance pressure regulator.
- Do not kink or damage the flexible metal tubing when moving the cooktop.

Rigid pipe connection:

The rigid pipe connection requires a combination of pipe fittings to obtain an in-line connection to the cooktop. The rigid pipe must be level with the cooktop connection. All strains must be removed from the supply and fuel lines so cooktop will be level and in line.



- Must include a shutoff valve:
The supply line must be equipped with a manual shutoff valve. This valve should be located in the same room but external to the cooktop enclosure or cabinet. It should be in a location that allows ease of opening and closing. Do not block access to shutoff valve. The valve is for turning on or shutting off gas to the cooktop.



A. Gas supply line
B. Shutoff valve "open" position
C. To cooktop

Gas Pressure Regulator

The gas pressure regulator supplied with this cooktop must be used. The inlet pressure to the regulator should be as follows for proper operation:

Natural Gas:

Minimum pressure: 6" (15.2 cm) WCP
Maximum pressure: 14" (35.5 cm) WCP

LP Gas:

Minimum pressure: 11" (27.9 cm) WCP
Maximum pressure: 14" (35.5 cm) WCP

Contact local gas supplier if you are not sure about the inlet pressure.

Burner Input Rating - Altitude

Input ratings shown on the model/serial rating plate are for elevations up to 2,000 ft (609.6 m).

For elevations above 2,000 ft (609.6 m), ratings need to be reduced at a rate of 4% for each 1,000 ft (304.8 m) above sea level (not applicable for Canada).

Gas Supply Pressure Testing

Gas supply pressure for testing regulator must be at least 1" water column pressure above the manifold pressure shown on the model/serial rating plate.-

Line pressure testing above ½ psi gauge (14" WCP)

The cooktop and its individual shutoff valve must be disconnected from the gas supply piping system during any pressure testing of that system at test pressures in excess of ½ psi (3.5 kPa).

Line pressure testing at ½ psi gauge (14" WCP) or lower

The cooktop must be isolated from the gas supply piping system by closing its individual manual shutoff valve during any pressure testing of the gas supply piping system at test pressures equal to or less than ½ psi (3.5 kPa).

INSTALLATION INSTRUCTIONS

Install Cooktop

⚠ WARNING

Excessive Weight Hazard

**Use two or more people to move and install cooktop.
Failure to do so can result in back or other injury.**

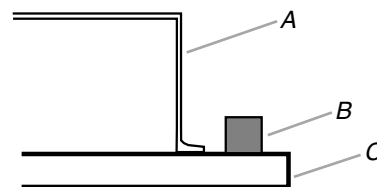
Write down the model and serial numbers before installing the cooktop. Both numbers are located on the left front underside of the cooktop console.

Unpack the parts supplied with your cooktop. The parts shipped with the cooktop depend on your model ordered. See "Tools and Parts" section for a complete list parts supplied with your cooktop.

The pressure regulator and flexible stainless steel gas supply line connector can be assembled to the cooktop now or after the cooktop is installed in the cutout. See "Make Gas Connection" section.

1. Decide on the final location for the cooktop.
2. Using two or more people, place the cooktop upside down on a covered surface.
3. Remove foam strip from literature packing. Remove backing from foam strip. Apply foam strip adhesive-side down along the left and right sides of the cooktop trim.

NOTE: The foam strip helps the cooktop sit flat on uneven counters and avoids damage to the countertop surface.



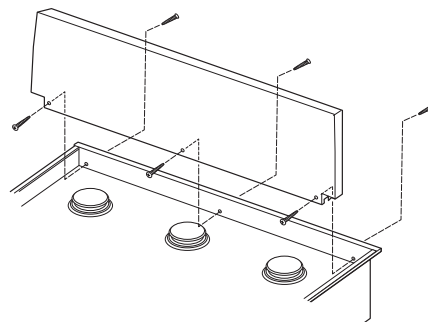
A. Cooktop base
B. Foam strip
C. Cooktop

4. Using 2 or more people, turn cooktop right side up.

Install Optional Backguard

36" (91.4 cm) and 48" (121.9 cm) models may require a backguard. See "Cabinet Dimensions" in the "Location Requirements" section for installation requirements. See the "Tools and Parts" section for information on ordering.

Remove island trim and attach backguard using 6 screws, insert 3 from the front and 3 from the back (9" [22.9 cm] backguard shown).



Make Gas Connection

⚠ WARNING



Explosion Hazard

Use a new CSA International approved gas supply line.

Install a shut-off valve.

Securely tighten all gas connections.

If connected to LP, have a qualified person make sure gas pressure does not exceed 14" (36 cm) water column.

Examples of a qualified person include:

**licensed heating personnel,
authorized gas company personnel, and
authorized service personnel.**

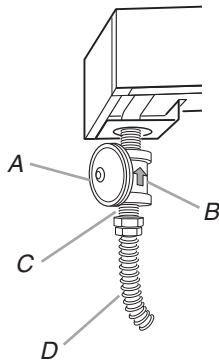
Failure to do so can result in death, explosion, or fire.

To Assemble Pressure Regulator:

1. Using 2 or more people, stand the cooktop on its side or back.

2. Connect the flexible stainless steel connector to the pressure regulator using a 1/2" male pipe thread adapter.

A combination of pipe fittings must be used to connect the cooktop to the existing gas line. Shown following is a typical connection. Your connection may be different, according to the supply line type, size and location.



- A. Gas pressure regulator
- B. Regulator - Must be installed with arrow pointing up to cooktop bottom
- C. Adapter - Must have 1/2" male pipe thread
- D. CSA approved flexible stainless steel gas supply line

3. Install the pressure regulator with the arrow pointing up toward the bottom of the cooktop burner base and in a position where you can reach the regulator cap.

IMPORTANT: All connections must be wrench-tightened. Do not make connections to the gas regulator too tight. Making the connections too tight may crack the regulator and cause a gas leak. Do not allow the regulator to turn on the pipe when tightening fittings.

Use only pipe-joint compound made for use with Natural and LP gas. Do not use TEFLON® tape.

You will need to determine the fittings required depending on your installation.

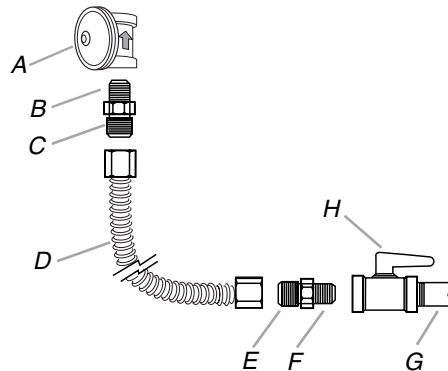
4. Place cooktop into the countertop cutout.

NOTE: Check that the front edge of the cooktop is parallel to the front edge of the countertop. If repositioning is needed, lift entire cooktop up from cutout to avoid scratching the countertop.

Typical flexible connection

1. Apply pipe-joint compound made for use with LP gas to the smaller thread ends of the flexible connector adapters (see B and F in the following illustration).
2. Attach one adapter to the gas pressure regulator and the other adapter to the gas shutoff valve. Tighten both adapters.

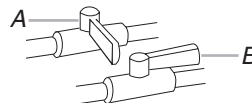
3. Use a 15/16" combination wrench and channel lock pliers to attach the flexible connector to the adapters. Check that connector is not kinked.



- A. Gas pressure regulator
- B. Use pipe-joint compound.
- C. Adapter - Must have 1/2" male pipe thread
- D. Flexible connector
- E. Adapter
- F. Use pipe-joint compound.
- G. 1/2" or 3/4" gas pipe
- H. Manual gas shutoff valve

Complete Connection

1. Open the manual shutoff valve in the gas supply line. The valve is open when the handle is parallel to the gas pipe.



- A. Closed valve
- B. Open valve

2. Test all connections by brushing on an approved noncorrosive leak-detection solution. If bubbles appear, a leak is indicated. Correct any leak found.
3. Remove surface burner caps and grates from parts package. Place burner caps on burner bases. Place burner grates over burners and caps.

⚠ WARNING



Electrical Shock Hazard

Plug into a grounded 3 prong outlet.

Do not remove ground prong.

Do not use an adapter.

Do not use an extension cord.

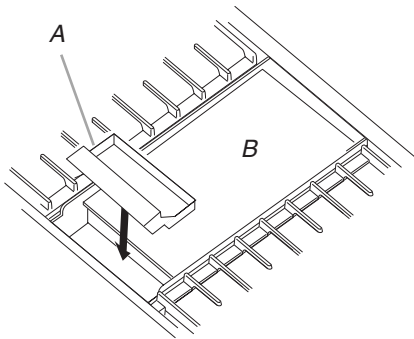
Failure to follow these instructions can result in death, fire, or electrical shock.

4. Plug into a grounded 3 prong outlet.
5. Check the operation of the surface burners. See "Check Operation of Cooktop Burners" section in the "Electronic Ignition System" section.
6. If your model has a griddle, see the "Install Griddle" section.

Install Griddle (on griddle models)

The griddle is factory installed.

1. Place drip tray in the well at the front of the griddle. Slide tray toward the back until it stops.



A. Griddle drip tray
B. Griddle

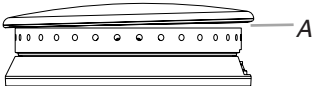
2. Clean griddle before using. Refer to the Use and Care Guide.

Complete Installation

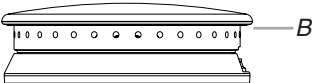
Install Burner Heads and Caps

Install the burner head, making sure the alignment pins are properly aligned with the burner base. Place burner cap (black) on top of the burner head.

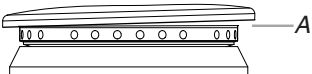
20,000 Btu/h Ultra Power™ Dual-Flame Burner



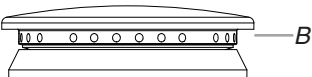
A. Incorrect
B. Correct



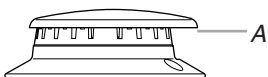
15,000 Btu/h Professional Burner



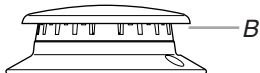
A. Incorrect
B. Correct



5,000 Btu/h Simmer/Melt Burner



A. Incorrect
B. Correct



Electronic Ignition System

Initial lighting and gas flame adjustments

Cooktop burners use electronic igniters in place of standing pilots. When the cooktop control knob is turned to any position, the system creates a spark to light the burner. This sparking continues, until the flame is lit or the knob is turned to Off.

Check Operation of Cooktop Burners

Push in and turn each control knob to the “LITE” position.

The surface burners and grill flames should light within 4 seconds. The first time a burner is lit it may take longer than 4 seconds to light because of air in the gas line.

After verifying the proper burner operation turn the control knobs to OFF.

If burners do not light properly:

- Turn cooktop control knob to the “OFF” position.
- Check that the cooktop is plugged in and the circuit breaker has not tripped or the fuse has not blown.
- Check that the gas shutoff valves are set to the “open” position.
- Check that burner caps are properly positioned on burner bases.

Repeat start-up. If a burner does not light at this point, contact your dealer or authorized service company for assistance.

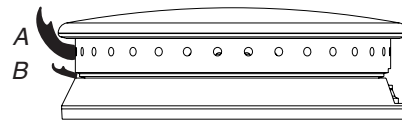
If you need Assistance or Service:

Please reference the “Assistance or Service” section of the Use and Care Guide or contact the dealer from whom you purchased your cooktop.

Flame Height

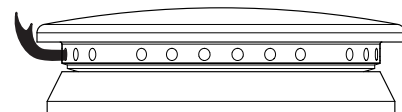
The cooktop flame should be a steady blue flame approximately ¼" (0.64 cm) high.

Dual Flame Burner



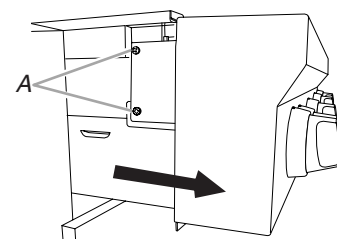
A. Upper flame
B. Lower (simmer) flame

Single Flame Burner



To Adjust Flame Height:

1. Unplug cooktop or disconnect power.
2. Remove burner grates.
3. Remove the control knobs.
4. Pull cooktop forward to expose the control console screws on the side of the cooktop burner base.
5. Remove the 2 screws on each side of the cooktop burner base that hold the control console in place.

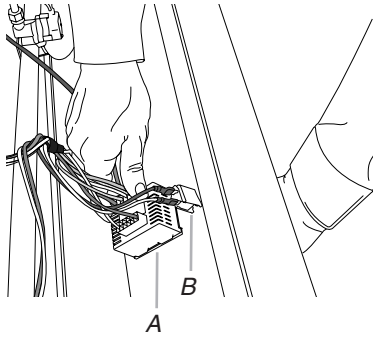


A. Console attachment screws

- Disconnect wiring from the control console.

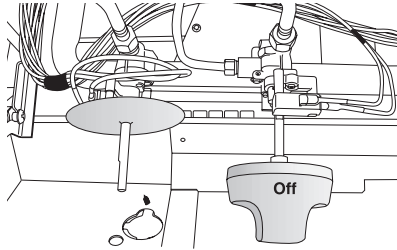
On Griddle Models:

Support the control console in the middle with one arm and disconnect the griddle switch connectors and the grill indicator light with the other hand.

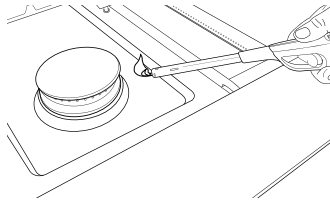


A. Griddle switch connectors
B. Grill indicator light connector

- Remove console and set aside.
- Remove the round gasket from the valve stem.
- Put a control knob onto the valve stem of the burner you want to adjust.

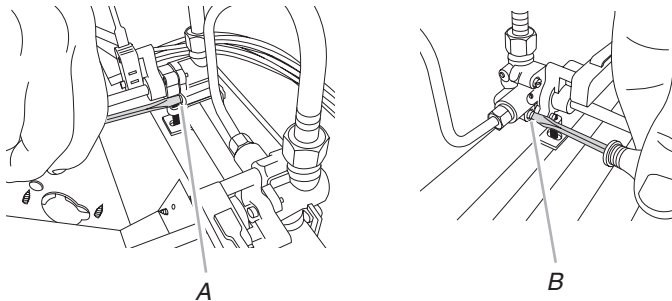


- Turn the control knob to LO and light the burner using a butane extension lighter.



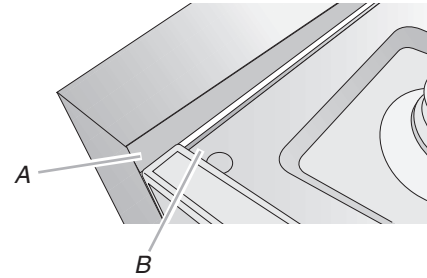
- Remove the control knob.
- Use a 1/8" x 4 1/4" flat-blade screwdriver to adjust the flame height. Tighten screw to reduce flame height. Loosen screw to increase flame height.

NOTE: When you are converting to LP gas, the screw should be tightened down completely.



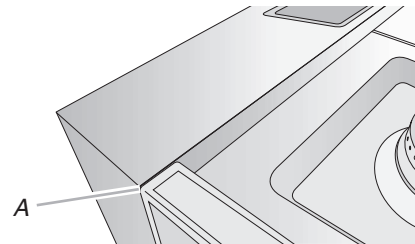
A. Single flame burner adjustment screw (on right side of valve)
B. Dual flame burner adjustment screw (on left side of valve)

- When finished adjusting the flame height, put a control knob back onto the valve stem and turn off the burner.
- Remove the control knob.
- Replace the round gasket.
- Repeat steps 8 through 15 for any other burners that need adjustment.
- Reinstall the control console. Support the control console in the middle with one arm and reconnect the griddle switch connectors and/or grill indicator light connector.
- Set the control console back into place on the cooktop. For a proper fit, the flange of the control console must hook over the lip on the front of the cooktop.



A. Control console flange
B. Front lip of range cooktop

- Check that the control console is flush with the top edge of the cooktop.



A. Flush with top of cooktop

- Replace the 2 screws on each side of the control console.
- Push the cooktop back into place in the cutout.
- Replace the control knobs.
- Replace burner grates.
- Plug in cooktop or reconnect power.
- Test the flame by turning the control from LO to HI, checking the flame at each setting.

GAS CONVERSIONS

IMPORTANT: Gas conversions from Natural gas to LP gas must be done by a qualified installer.

WARNING



Explosion Hazard

Use a new CSA International approved gas supply line.

Install a shut-off valve.

Securely tighten all gas connections.

If connected to LP, have a qualified person make sure gas pressure does not exceed 14" (36 cm) water column.

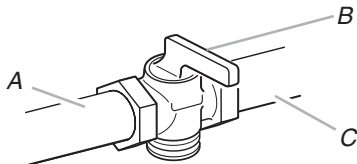
Examples of a qualified person include:

licensed heating personnel,
authorized gas company personnel, and
authorized service personnel.

Failure to do so can result in death, explosion, or fire.

LP Gas Conversion

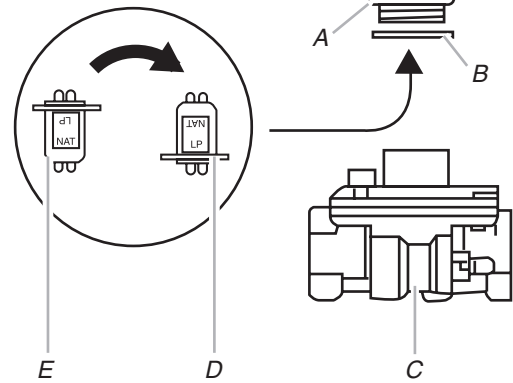
1. Turn the manual shutoff valve to the closed position.
2. Unplug cooktop or disconnect power.



- A. To cooktop
B. Shutoff valve (closed position)
C. Gas supply line

To Convert Gas Pressure Regulator

1. Remove the access cap by using a wrench, turning the access cap counterclockwise.
2. Remove spring retainer from the cap by pushing against the flat side of the spring retainer. Look at the spring retainer to locate the "NAT" or "LP" position. Turn over the spring retainer so the "LP" is showing on the bottom. Snap the spring retainer back into the cap. Reinstall the cap onto the regulator.



- A. Access cap
B. Gasket
C. Gas pressure regulator
D. LP position
E. NAT position

3. Test the gas pressure regulator and gas supply line. The regulator must be checked at a minimum 1" (2.5 cm) water column above the set pressure. The inlet pressure to the regulator should be as follows for operation and checking the regulator setting:

LP Gas:

Minimum pressure 11" (27.9 cm) WCP
Maximum pressure 14" (35.5 cm) WCP

Gas Supply Pressure Testing

Gas supply pressure for testing regulator must be at least 1" water column pressure above the manifold pressure shown on the model/serial rating plate.

Line pressure testing above ½ psi gauge (14" WCP)

The cooktop and its individual shutoff valve must be disconnected from the gas supply piping system during any pressure testing of that system at test pressures in excess of ½ psi (3.5 kPa).

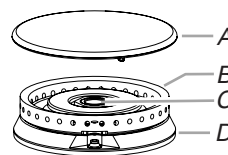
Line pressure testing at ½ psi gauge (14" WCP) or lower

The cooktop must be isolated from the gas supply piping system by closing its individual manual shutoff valve during any pressure testing of the gas supply piping system at test pressures equal to or less than ½ psi (3.5 kPa).

To Convert Surface Burners

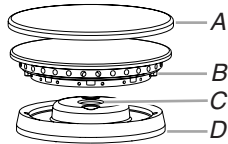
1. If installed, remove the burner grates.
2. Remove burner cap.
3. Remove the burner head.

NOTE: A 7/8" socket must be used to remove the burner head of the large dual burners.
4. Using a T15 Torx® screwdriver, remove the burner base.



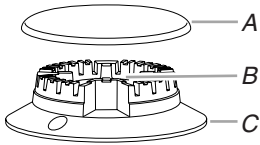
Large Dual Burner

- A. Burner cap
B. Burner head
C. Gas opening
D. Burner base



Medium Burner

- A. Burner cap
- B. Burner head
- C. Gas opening
- D. Burner base

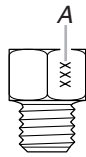


Small Burner

- A. Burner cap
- B. Gas opening
- C. Burner base

5. Apply masking tape to the end of a 7 mm nut driver to help hold the gas orifice spud in the nut driver while changing it. Insert nut driver into gas opening and press down onto the gas orifice spud and remove by turning the gas orifice spud counterclockwise and lifting out. Set gas orifice spud aside.
6. Replace with correct LP gas orifice spud. See the "LP Gas Orifice Spud/Hood Chart."

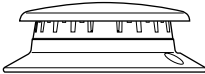
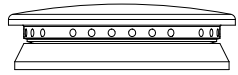
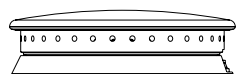
Burner orifice spud



A. Size stamp or color

Use the following chart to find the exact orifice spud placement.

LP Gas Orifice Spud/Hood Chart

Burner Rating	Color	Size	Burner Style
3,000 BTU	Blue	0.55 mm	Small burners 
12,500 BTU	Brass	1.04 mm	Medium burners 
15,500 BTU	Yellow Green	1.05 mm 0.45 mm	Large burner - main Large burner - simmer 

7. Place Natural gas orifice spuds in plastic parts bag for future use and keep with package containing literature.
8. Replace the burner base using both screws.
9. Replace burner head and cap.
10. Repeat steps 2 through 9 for the remaining burners.

Complete Installation

1. Refer to the "Make Gas Connection" section for properly connecting the cooktop to the gas supply.
2. Refer to the "Electronic Ignition System" section for proper burner ignition, operation, and burner flame adjustments.

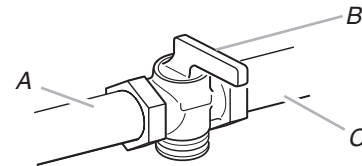
IMPORTANT: You may have to adjust the "LO" setting for each cooktop burner.

Checking for proper cooktop burner flame is very important. The small inner cone should have a very distinct blue flame ¼" (0.64 cm) to ½" (1.3 cm) long. The outer cone is not as distinct as the inner cone. LP gas flames have a slightly yellow tip.

3. Refer to "Complete Installation" in the "Installation Instructions" section of this manual to complete this procedure.

Natural Gas Conversion

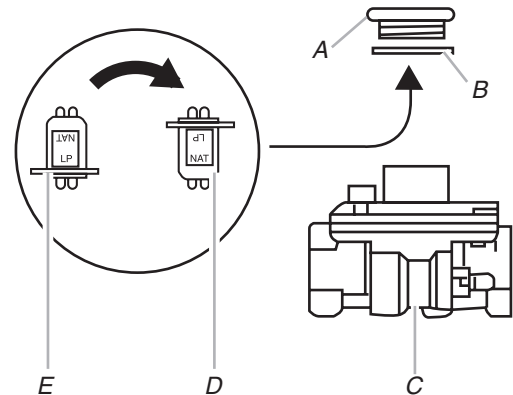
1. Turn manual shutoff valve to the closed position.
2. Unplug cooktop or disconnect power.



- A. To cooktop
- B. Shutoff valve (closed position)
- C. Gas supply line

To Convert Gas Pressure Regulator

1. Remove the access cap by using a wrench, turning the access cap counterclockwise.
2. Remove spring retainer from the cap by pushing against the flat side of the spring retainer. Look at the spring retainer to locate the "LP" or "NAT" position. Turn over the spring retainer so the "NAT" is showing on the bottom. Snap the spring retainer back into the cap. Reinstall the cap onto the regulator.



- A. Access cap
- B. Gasket
- C. Gas pressure regulator
- D. NAT position
- E. LP position

3. Test the gas pressure regulator and gas supply line. The regulator must be checked at a minimum 1" (2.5 cm) water column above the set pressure. The inlet pressure to the regulator should be as follows for operation and checking the regulator setting:

Natural Gas:

Minimum pressure: 6" (15.2 cm) WCP
Maximum pressure: 14" (35.5 cm) WCP

Gas Supply Pressure Testing

Gas supply pressure for testing regulator must be at least 1" water column pressure above the manifold pressure shown on the model/serial rating plate.

Line pressure testing above ½ psi gauge (14" WCP)

The cooktop and its individual shutoff valve must be disconnected from the gas supply piping system during any pressure testing of that system at test pressures in excess of ½ psi (3.5 kPa).

Line pressure testing at ½ psi gauge (14" WCP) or lower

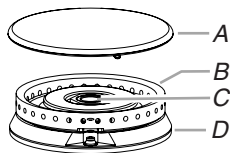
The cooktop must be isolated from the gas supply piping system by closing its individual manual shutoff valve during any pressure testing of the gas supply piping system at test pressures equal to or less than ½ psi (3.5 kPa).

To Convert Surface Burners

1. If installed, remove the burner grates.
2. Remove burner cap.
3. Remove the burner head.

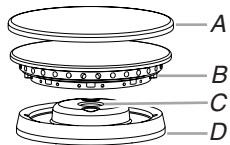
NOTE: A 7/8" socket must be used to remove the burner head of the large dual burners.

4. Using a T15 Torx® screwdriver, remove the burner base.



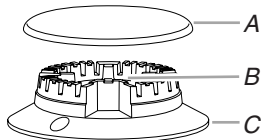
Large Dual Burner

- A. Burner cap
- B. Burner head
- C. Gas opening
- D. Burner base



Medium Burner

- A. Burner cap
- B. Burner head
- C. Gas opening
- D. Burner base



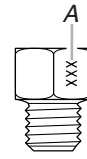
Small Burner

- A. Burner cap
- B. Gas opening
- C. Burner base

5. Apply masking tape to the end of a 7 mm nut driver to help hold the gas orifice spud in the nut driver while changing it. Insert nut driver into gas opening and press down onto the gas orifice spud and remove by turning the gas orifice spud counterclockwise and lifting out. Set gas orifice spud aside.

6. Replace with correct Natural gas orifice spud. See the "Natural Gas Orifice Spud/Hood Chart."

Burner orifice spud



A. Size stamp

Use the following chart to find the exact orifice spud placement.

Natural Gas Orifice Spud/Hood Chart

Burner Rating	Size	Burner Style
5,000 BTU	1.01 mm	Small burners
15,000 BTU	1.75 mm	Medium burners
20,000 BTU	1.89 mm 0.69 mm	Large burner - main Large burner - simmer

7. Place LP gas orifice spuds in plastic parts bag for future use and keep with package containing literature.
8. Replace the burner base using both screws.
9. Replace burner head and cap.
10. Repeat steps 2 through 9 for the remaining burners.

Complete Installation

1. Refer to the "Make Gas Connection" section for properly connecting the cooktop to the gas supply.
2. Refer to the "Electronic Ignition System" section for proper burner ignition, operation, and burner flame adjustments.

IMPORTANT: You may have to adjust the "LO" setting for each cooktop burner.

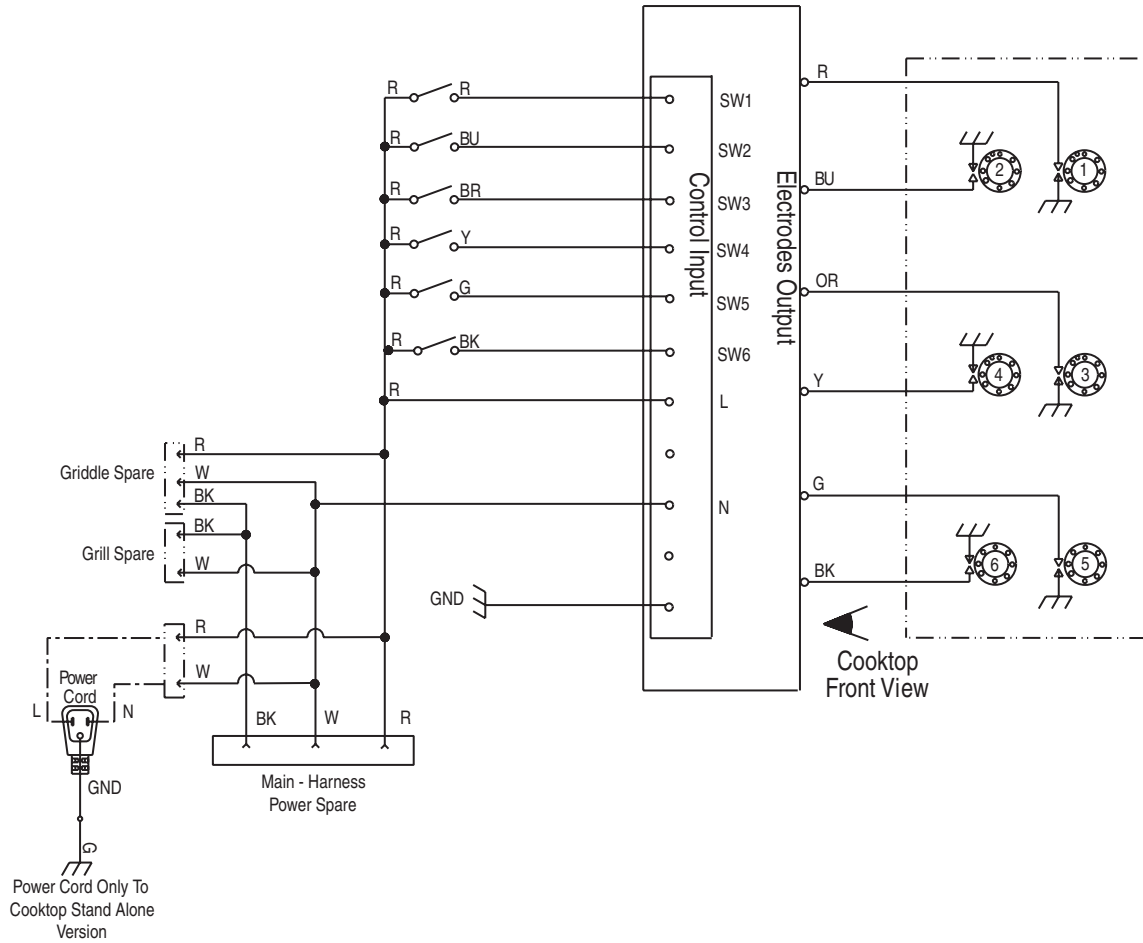
Checking for proper cooktop burner flame is very important. The small inner cone should have a very distinct blue flame ¼" (0.64 cm) to ½" (1.3 cm) long. The outer cone is not as distinct as the inner cone. LP gas flames have a slightly yellow tip.

3. Refer to "Complete Installation" in the "Installation Instructions" section of this manual to complete this procedure.

WIRING DIAGRAMS

Caution: Label all wires prior to disconnection when servicing controls. Wiring errors can cause improper and dangerous operation. Verify proper operation after servicing.

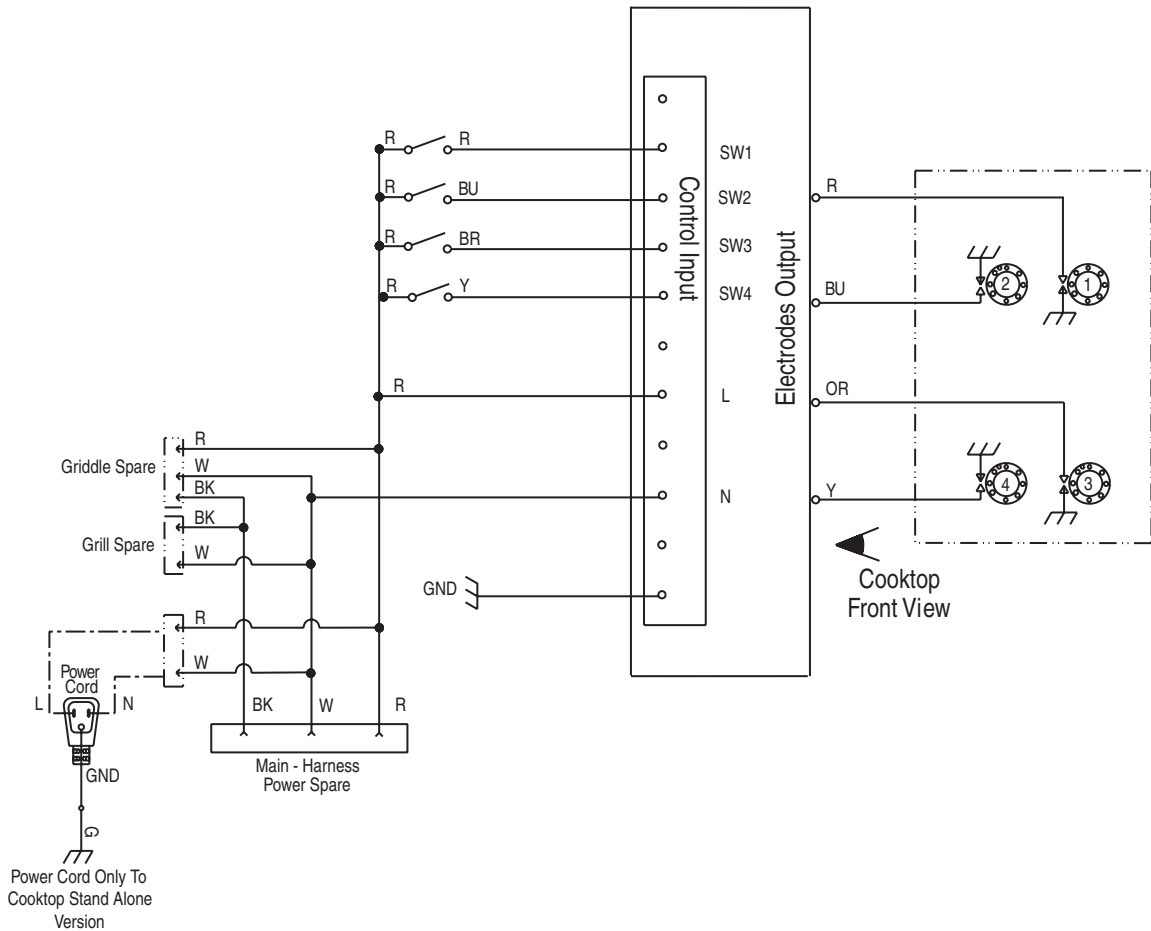
6 Burner Cooktop Reignition Wiring Diagram



LEGEND

Ground (Chassis)	Plug With Female Connector	Receptacle With Male Connector	Electrode	Transformer	Relay Contacts	Solenoid Valve	Switch	Cooktop Gas Burner	RTD - Temperature Sensor	Heating Element	Indicator Lamp

4 Burner Cooktop Reignition Wiring Diagram

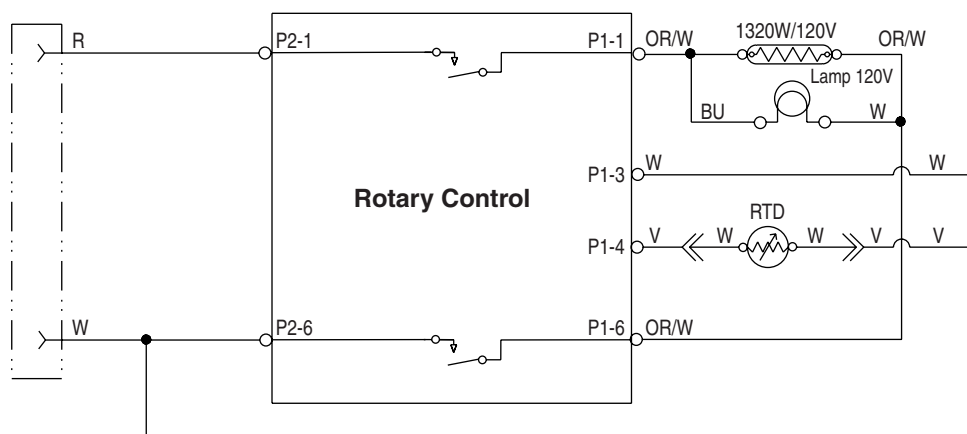


LEGEND

Ground (Chassis)	Plug With Female Connector	Receptacle With Male Connector	Electrode	Transformer	Relay Contacts	Solenoid Valve	Switch	Cooktop Gas Burner	RTD - Temperature Sensor	Heating Element	Indicator Lamp

STRIP CIRCUIT

Griddle 120V Control Wiring Diagram To Cooktop Stand-Along



SÉCURITÉ DE LA TABLE DE CUISSON

Votre sécurité et celle des autres est très importante.

Nous donnons de nombreux messages de sécurité importants dans ce manuel et sur votre appareil ménager. Assurez-vous de toujours lire tous les messages de sécurité et de vous y conformer.



Voici le symbole d'alerte de sécurité.

Ce symbole d'alerte de sécurité vous signale les dangers potentiels de décès et de blessures graves à vous et à d'autres.

Tous les messages de sécurité suivront le symbole d'alerte de sécurité et le mot "DANGER" ou "AVERTISSEMENT". Ces mots signifient :

⚠ DANGER

Risque possible de décès ou de blessure grave si vous ne suivez pas immédiatement les instructions.

⚠ AVERTISSEMENT

Risque possible de décès ou de blessure grave si vous ne suivez pas les instructions.

Tous les messages de sécurité vous diront quel est le danger potentiel et vous disent comment réduire le risque de blessure et ce qui peut se produire en cas de non-respect des instructions.

AVERTISSEMENT : Si les renseignements dans ce manuel ne sont pas exactement observés, un incendie ou une explosion peut survenir, causant des dommages au produit, des blessures ou un décès.

- Ne pas entreposer ni utiliser de l'essence ou d'autres vapeurs ou liquides inflammables à proximité de cet appareil ou de tout autre appareil électroménager.
- **QUE FAIRE DANS LE CAS D'UNE ODEUR DE GAZ :**
 - Ne pas tenter d'allumer un appareil.
 - Ne pas toucher à un commutateur électrique.
 - Ne pas utiliser le téléphone se trouvant sur les lieux.
 - Appeler immédiatement le fournisseur de gaz à partir du téléphone d'un voisin. Suivre ses instructions.
 - À défaut de joindre votre fournisseur de gaz, appeler les pompiers.
- L'installation et l'entretien doivent être effectués par un installateur qualifié, une agence de service ou le fournisseur de gaz.

AVERTISSEMENT : L'odorat ne permet pas toujours la détection d'une fuite de gaz.

Les distributeurs de gaz recommandent l'emploi d'un détecteur de gaz (homologation UL ou CSA).

Pour d'autre information, contacter le fournisseur de gaz local.

En cas de détection d'une fuite de gaz, exécuter les instructions "Que faire dans le cas d'une odeur de gaz".

Dans l'État du Massachusetts, les instructions d'installation suivantes sont applicables :

- Les travaux d'installation et réparation doivent être exécutés par un plombier ou tuyauteur qualifié ou licencié, ou par le personnel qualifié d'une entreprise licenciée par l'État du Massachusetts.
- Si une vanne à boisseau sphérique est utilisée, elle doit comporter une manette "T".
- Si un conduit de raccordement flexible est utilisé, sa longueur ne doit pas dépasser 3 pi.

EXIGENCES D'INSTALLATION

Outillage et pièces

Rassembler les outils et composants nécessaires avant d'entreprendre l'installation. Lire et observer les instructions fournies avec chacun des outils de la liste ci-dessous.

Outillage nécessaire

- Clé à molette
- Mètre-ruban
- Marqueur ou crayon
- Clé à tuyauterie
- Tournevis à lame plate
- Clé mixte de $1\frac{5}{16}$ "
- Clé ou pince
- Composé d'étanchéité pour tuyauteries – résistant au gaz propane
- Solution non corrosive de détection des fuites

Pour conversions au gaz propane/naturel

- Tournevis Torx®† T15
- Clé à molette
- Clé à cliquet de $\frac{3}{8}$ "
- Douille de $\frac{7}{8}$ "
- Douille longue de $\frac{1}{2}$ "
- Tourne-écrou de 7 mm
- Ruban adhésif de masquage

Pièces fournies

Vérifier que toutes les pièces sont présentes.

- Détendeur
- Grilles de brûleur
- Tête et chapeaux de brûleur
- Plateau d'égouttement de la plaque à frire (sur modèles avec plaque à frire)
- Ruban de mousse
- Ensemble de gicleurs pour gaz propane (W10221288)
- Étiquette de conversion (W10221320)

REMARQUE : La table de cuisson est conçue pour une utilisation au gaz naturel. Pour effectuer une conversion au gaz propane, voir la section "Conversions de gaz".

Dosserets facultatifs

Les modèles de 48" (121,9 cm) doivent être installés avec un dosseret si l'installation se fait en contact direct avec une paroi arrière combustible. Voir "Dimensions du placard" à la section "Exigences d'emplacement" pour les spécifications concernant l'installation.

- Dosseret rétractable de 36" (91,4 cm)
Commander la pièce numéro 8284756
- Dosseret rétractable de 48" (121,9 cm)
Commander la pièce numéro 8284755
- Dosseret de 9" (22,9 cm) pour tables de cuisson de 36" (91,4 cm)
Commander la pièce numéro W10115776
- Dosseret de 9" (22,9 cm) pour tables de cuisson de 48" (121,9 cm)
Commander la pièce numéro W10115777
- Dosseret rétractable de 33 $\frac{1}{2}$ " (85,0 cm) avec tablette pour tables de cuisson de 36" (91,4 cm)
Commander la pièce numéro W1028548
- Dosseret rétractable de 33 $\frac{1}{2}$ " (85,0 cm) avec tablette pour tables de cuisson de 48" (121,9 cm)
Commander la pièce numéro W10285449

Pour commander, voir la section "Assistance ou service" du Guide d'utilisation et d'entretien.

Vérifier les codes locaux et consulter le fournisseur de gaz. Vérifier l'alimentation en gaz et l'alimentation électrique existantes. Voir les sections "Spécifications électriques" et "Spécifications de l'alimentation en gaz".

Conversion pour utilisation en haute altitude

Pour convertir la table de cuisson pour des altitudes supérieures à 6 560 pi (1999,5 m), commander un ensemble pour conversion en haute altitude.

- Pièce numéro W10237848 - gaz propane pour haute altitude
- Pièce numéro W10160841 - gaz naturel pour haute altitude

Pour commander, voir la section "Assistance ou service" du Guide d'utilisation et d'entretien.

Exigences d'emplacement

IMPORTANT : Observer les dispositions de tous les codes et règlements en vigueur. Ne pas obstruer le flux de combustion et de ventilation.

- C'est à l'installateur qu'incombe la responsabilité de respecter les distances de séparation exigées pour l'installation, spécifiées sur la plaque signalétique de l'appareil. La plaque signalétique des numéros de modèle et de série est située sur la face inférieure de la base de brûleur de la table de cuisson.
- Il est recommandé qu'une hotte de cuisinière de 600 CFM ou plus soit installée au-dessus de la table de cuisson.
- Il n'est pas recommandé de monter un ensemble hotte/four à micro-ondes au-dessus de la table de cuisson.
- La table de cuisson doit être installée dans un emplacement à l'écart des zones de forts courants d'air, telles que fenêtres, portes et événements ou ventilateurs de chauffage.
- Toutes les ouvertures dans le mur ou le plancher de l'emplacement d'installation de la table de cuisson doivent être scellées.
- Respecter les dimensions indiquées pour les ouvertures à découper dans les placards. Ces dimensions constituent les valeurs minimales des dégagements de séparation.
- Une source d'électricité avec liaison à la terre est nécessaire. Voir la section "Spécifications électriques".
- Une source de gaz adéquate doit être disponible. Voir la section "Spécifications de l'alimentation en gaz".

- De par sa conception, la table de cuisson est suspendue sur le plan de travail, par les rebords des côtés ou de l'arrière.
- Les sources de gaz et d'électricité doivent être situées tel qu'indiqué à la section "Emplacements des raccordements au gaz et à l'électricité", pour qu'elles soient accessibles et qu'il ne soit pas nécessaire d'enlever la table de cuisson.
- Prévoir une ouverture dans l'angle arrière gauche de l'enceinte – voir l'illustration – pour le passage de la canalisation de gaz et du câble d'alimentation électrique et pour que l'étiquette signalétique soit visible.

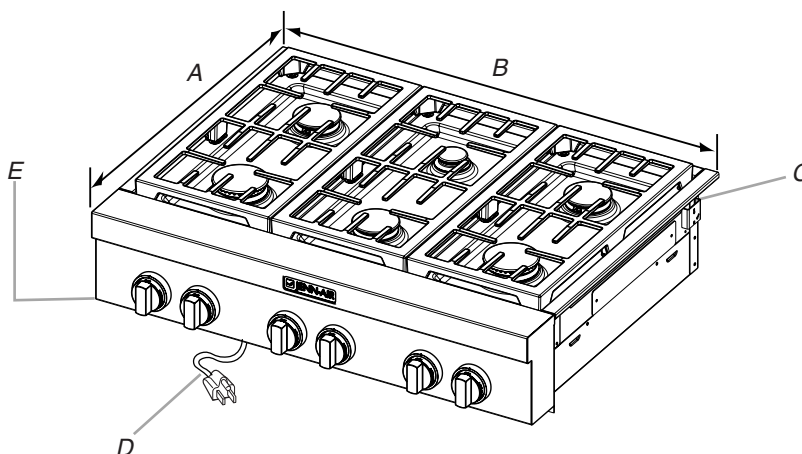
IMPORTANT : Afin d'éviter d'endommager les placards, consulter le constructeur de la maison ou le fabricant des placards pour déterminer si les matériaux utilisés peuvent subir un changement de couleur, une déstratification ou d'autres dommages.

Résidence mobile – Spécifications additionnelles à respecter lors de l'installation

L'installation de cette table de cuisson doit être conforme aux dispositions de la norme Manufactured Home Construction and Safety Standard, Title 24 CFR, Part 3280 (anciennement Federal Standard for Mobile Home Construction and Safety, Title 24, HUD Part 280). Lorsque cette norme n'est pas applicable, utiliser la norme Standard for Manufactured Home Installations, ANSI A225.1/NFPA 501A ou respecter les dispositions des codes locaux.

Au Canada, l'installation de cette table de cuisson doit satisfaire aux stipulations de la version la plus récente de la norme CAN/CSA-A240 ou des codes locaux en vigueur.

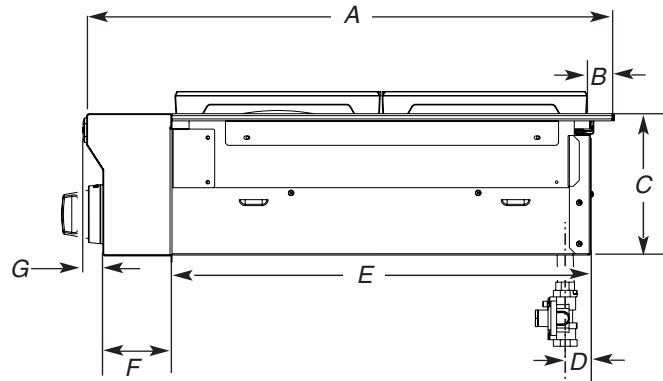
Dimensions du produit



- A. 27 1/8" (68,9 cm)
B. Table de cuisson de 30" (76,2 cm) : largeur réelle de 29 7/8" (75,1 cm)
Table de cuisson de 36" (91,4 cm) : largeur réelle de 35 7/8" (90,4 cm)
Table de cuisson de 48" (121,9 cm) : largeur réelle de 47 7/8" (120,8 cm)
C. Garniture d'îlot ou dossier facultatif

- D. Cordon d'alimentation à 3 broches pour liaison à la terre de 36" (91,4 cm) de long
E. La plaque signalétique est située sur la face inférieure de la base de brûleur de la table de cuisson.

Vue latérale de la table de cuisson



A. 27 $\frac{3}{4}$ " (70,5 cm)

B. 1 $\frac{1}{4}$ " (3,2 cm)

C. 7 $\frac{7}{16}$ " (18,8 cm)

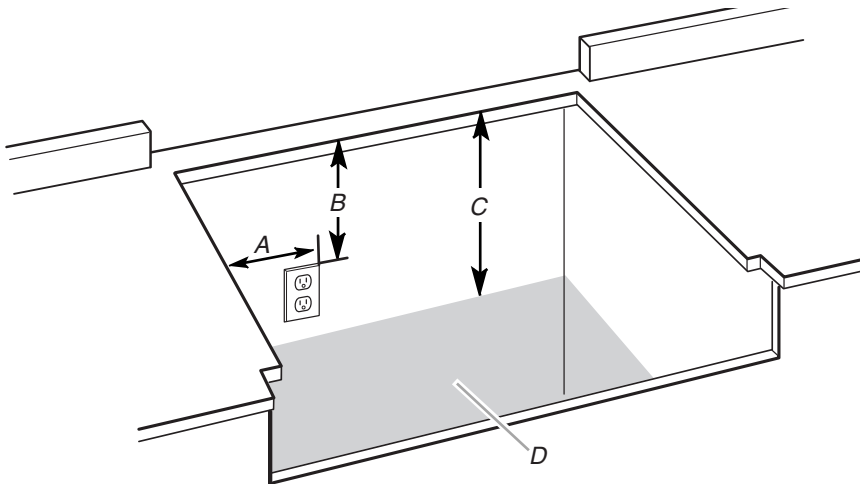
D. L'entrée de gaz se trouve à 1 $\frac{7}{8}$ " (4,8 cm) de l'arrière de la base du brûleur de la table de cuisson et à 4 $\frac{7}{8}$ " (12,4 cm) du côté gauche de la base du brûleur de la table de cuisson.

E. 22" (55,9 cm)

F. 3 $\frac{5}{16}$ " (8,4 cm)

G. $\frac{9}{16}$ " (1,4 cm)

Emplacements des raccordements au gaz et à l'électricité



A. La prise de courant à 3 alvéoles reliée à la terre doit se trouver du côté gauche de l'ouverture découpée, à 16" (40,6 cm) max. de la paroi latérale de l'encastrement

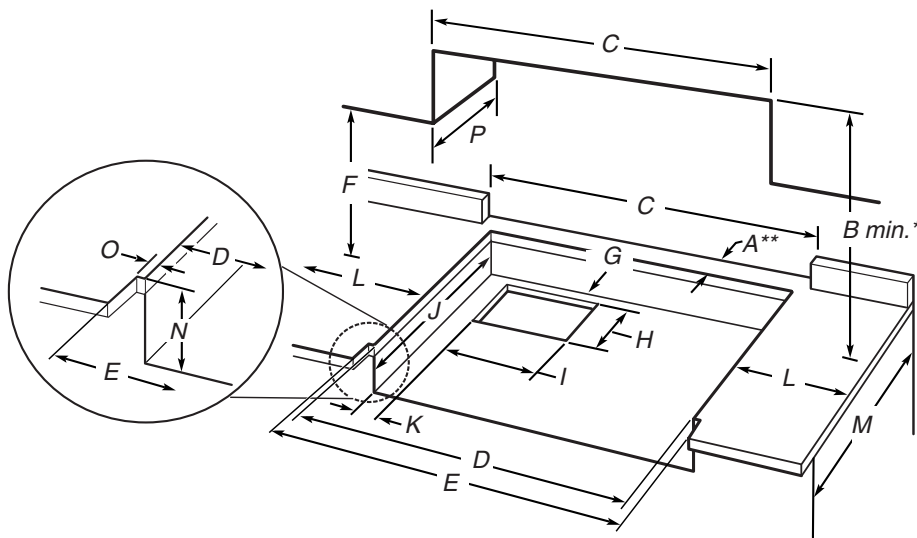
B. Dégagement minimal de 10" (25,4 cm) à partir du plan de travail jusqu'au sommet de la sortie

C. 14" (35,6 cm) entre le plan de travail et la canalisation d'alimentation en gaz

D. La canalisation d'alimentation en gaz doit se trouver dans cette zone sur les murs arrière ou latéraux; la canalisation d'alimentation en gaz peut aussi ressortir à travers le plancher.

REMARQUE : Le côté plein et le fond de l'encastrement ne sont pas illustrés.

Spécifications du placard



- A. Voir le tableau.
 B. Voir le tableau.
 C. Voir le tableau.
 D. Voir le tableau.
 E. Voir le tableau.
 F. 18" (45,7 cm) min. de dégagement entre le placard supérieur et le plan de travail
 G. 3/4" (1,9 cm) entre l'arrière de l'ouverture découpée dans le placard et l'ouverture découpée pour la canalisation de gaz.
 H. 6 7/8" (16,1 cm) de profondeur de l'ouverture découpée pour la canalisation de gaz
 I. 12 1/2" (31,7 cm) de largeur de l'ouverture découpée pour la canalisation de gaz
 J. 22 1/4" (56,5 cm) de profondeur de l'ouverture découpée dans le placard
 K. 2" (5,1 cm) entre le côté du placard et l'ouverture découpée pour la canalisation de gaz
 L. Dégagement de 6" (15,2 cm) min. entre les deux côtés de la table de cuisson et les parois latérales ou d'autres matériaux combustibles situés au-dessus de la surface de cuisson.
 M. Profondeur de placard 24" (61 cm)
 N. 7 1/4" (18,4 cm) de profondeur entre placard et plan de travail
 O. L'encoche doit être la même des deux côtés
 P. Profondeur des placards supérieurs : 13" (33,0 cm)

Taille	Modèle	A** Ouverture découpée pour la table de cuisson jusqu'au mur arrière	B* Entre la table de cuisson et le placard	C Ouverture pour dosseret facultatif et placard supérieur	D Placard et plan de travail	E Plan de travail uniquement
30" (76,2 cm)	JGCP430	1 3/4" (4,4 cm)**	30" (76,2 cm)	30" (76,2 cm)	29 1/4" (74,3 cm)	30" (76,2 cm) ou 29 7/8" (75,9 cm) pour un dégagement nul
36" (91,4 cm)	JGCP436 JGCP536	1 3/4" (4,4 cm)**	42" (106,7 cm)	36" (91,4 cm)	35 1/4" (89,5 cm)	36" (91,4 cm) ou 35 7/8" (91,1 cm) pour un dégagement nul
48" (121,9 cm)	JGCP548	1 3/4" (4,4 cm)**	42" (106,7 cm)	48" (121,9 cm)	47 1/4" (120 cm)	48" (121,9 cm) ou 47 7/8" (121,6 cm) pour un dégagement nul

* **REMARQUES** : La dimension "B" peut être réduite de 6" (15,2 cm) lorsque le fond d'un placard de bois ou de métal est couvert par une planche ignifugée d'au moins 0,25" (6,4 mm) recouverte d'une feuille métallique d'épaisseur égale ou supérieure à : acier calibre 28 MSG, acier inoxydable 0,015" (0,4 mm), aluminium 0,024" (0,6 mm), ou cuivre 0,020" (0,5 mm).

En cas d'installation d'une hotte au-dessus de la table de cuisson, suivre les instructions fournies avec la hotte concernant les dimensions de dégagement à respecter au-dessus de la surface de la table de cuisson.

****REMARQUE** : Si la paroi arrière est fabriquée à partir d'un matériau combustible et qu'aucun dosseret n'est installé, un dégagement minimal de 3" (7,6 cm) ajouté à la dimension A est nécessaire pour des tables de cuisson de 36" (91,4 cm) et 48" (121,9 cm).

Spécifications électriques

⚠️ AVERTISSEMENT



Risque de choc électrique

- Brancher sur une prise à 3 alvéoles reliée à la terre.
- Ne pas enlever la broche de liaison à la terre.
- Ne pas utiliser un adaptateur.
- Ne pas utiliser un câble de rallonge.
- Le non-respect de ces instructions peut causer un décès, un incendie ou un choc électrique.

IMPORTANT : La table de cuisson doit être correctement reliée à la terre en conformité avec les codes et règlements locaux en vigueur, ou en l'absence de tels codes, avec le National Electrical Code, ANSI/NFPA 70 ou le Code canadien des installations électriques, CSA C22.1.

Cette table de cuisson est dotée d'un système d'allumage électronique qui ne fonctionnera pas en cas de branchement dans une prise qui n'est pas correctement polarisée.

Si les codes le permettent et si on utilise un conducteur distinct de liaison à la terre, il est recommandé qu'un électricien qualifié vérifie la qualité de la liaison à la terre.

Pour obtenir un exemplaire de la norme des codes ci-dessus, contacter :

National Fire Protection Association
One Batterymarch Park
Quincy, MA 02269
CSA International
8501 East Pleasant Valley Road
Cleveland, OH 44131-5575

- L'appareil doit être alimenté par un circuit de 120 V, CA seulement, 60 Hz, 15 ampères, protégé par fusible. On recommande également d'utiliser un fusible ou un disjoncteur temporisé. Il est recommandé de raccorder la table de cuisson sur un circuit distinct exclusif à cet appareil.
- Les systèmes d'allumage électronique fonctionnent avec des limites de tension étendues, mais une liaison à la terre correcte et une polarité appropriée sont nécessaires. Vérifier que la prise fournit une alimentation de 120 V et qu'elle est correctement reliée à la terre.
- Les schémas de câblage sont fournis avec cette table de cuisson. Les schémas de câblage se trouvent à l'intérieur de la console de commande et à la section "Schéma de câblage".

Spécifications de l'alimentation en gaz

⚠️ AVERTISSEMENT



Risque d'explosion

Utiliser une canalisation neuve d'arrivée de gaz approuvée par la CSA International.

Installer un robinet d'arrêt.

Bien serrer chaque organe de connexion de la canalisation de gaz.

En cas de connexion au gaz propane, demander à une personne qualifiée de s'assurer que la pression de gaz ne dépasse pas 36 cm (14 po) de la colonne d'eau.

Par personne qualifiée, on comprend :

le personnel autorisé de chauffage,
le personnel autorisé d'une compagnie de gaz, et
le personnel d'entretien autorisé.

Le non-respect de ces instructions peut causer un décès, une explosion ou un incendie.

Observer les dispositions de tous les codes et règlements en vigueur.

IMPORTANT : L'installation doit satisfaire aux critères de tous les codes et règlements locaux. En l'absence de code local, l'installation doit satisfaire aux prescriptions de la plus récente édition du code national en vigueur : American National Standard, National Fuel Gas Code ANSI Z223.1 ou CAN/CGA B149.

IMPORTANT : Les tests de fuite de la table de cuisson doivent être effectués selon les instructions du fabricant.

Type de gaz

Gaz naturel :

La conception de cette table de cuisson a été homologuée par CSA International pour l'alimentation au gaz naturel, ou pour l'alimentation au propane après conversion adéquate.

- Cette table de cuisson a été configurée à l'usine pour l'alimentation au gaz naturel. Pour effectuer la conversion pour une alimentation au propane, voir les instructions de conversion de gaz fournies dans le sachet de documentation. La plaque signalétique située sur la face inférieure (à gauche) de la base de brûleur indique les types de gaz utilisables. Si le type de gaz disponible n'est pas mentionné sur la plaque signalétique, consulter le fournisseur local.

Conversion pour l'alimentation au propane :

L'opération de conversion doit être exécutée par un technicien de réparation qualifié.

Ne pas entreprendre de convertir la table de cuisson pour l'utilisation d'un gaz différent de celui indiqué sur la plaque signalétique sans d'abord consulter le fournisseur de gaz. Pour la conversion au propane, utiliser le kit de conversion au gaz propane fourni avec la table de cuisson et consulter la section "Conversions pour changement de gaz".

Canalisation de gaz

- Installer une canalisation de gaz rigide de 3/4" (1,9 cm) jusqu'à l'emplacement d'installation de la table de cuisson. L'emploi d'une canalisation de plus petit diamètre ou plus longue peut causer une déficience du débit d'alimentation. Pour l'alimentation au propane, le diamètre des canalisations doit être de 1/2" (1,3 cm) ou plus. En général, les fournisseurs de gaz propane déterminent les matériaux à utiliser et le diamètre approprié.
- **REMARQUE :** On doit utiliser un composé d'étanchéité des tuyauteries résistant à l'action du gaz propane. Ne pas utiliser de ruban TEFLON[†].

Raccord métallique flexible :

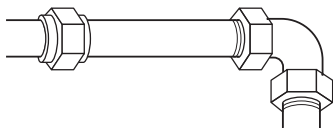
- Si le code local le permet, on peut utiliser un raccord métallique flexible neuf (homologation CSA) de 4 à 5 pi (122 à 152,4 cm) de long, diamètre interne 5/8" (1,6 cm) ou 3/4" (1,9 cm), pour raccorder la table de cuisson à la canalisation de gaz.



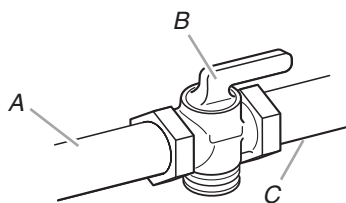
- Un raccord avec filetage mâle de 1/2" (1,3 cm) est nécessaire pour la connexion sur le raccord à filetage femelle à l'entrée du détendeur de la table de cuisson.
- Ne pas déformer/écraser/endommager le tube métallique flexible lors d'un déplacement de la table de cuisson.

Raccordement par un ensemble rigide :

On doit utiliser une combinaison de raccords pour réaliser un raccordement rigide entre la table de cuisson et la canalisation de gaz. Le tuyau rigide doit se trouver au même niveau que le raccord de connexion de la table de cuisson. On doit veiller à ne soumettre les sections de canalisation d'alimentation à aucun effort de traction ou flexion pour que la table de cuisson soit d'aplomb et correctement alignée.



- **Robinet d'arrêt nécessaire :**
La canalisation d'alimentation doit comporter un robinet d'arrêt manuel. Le robinet d'arrêt manuel doit être séparé de l'encastrement de la table de cuisson ou du placard, mais doit se trouver dans la même pièce. La canalisation doit se trouver en un endroit facilement accessible pour les manœuvres d'ouverture/fermeture. Ne pas entraver l'accès au robinet d'arrêt manuel. Le robinet d'arrêt manuel est prévu pour ouvrir ou fermer l'alimentation en gaz de la table de cuisson.



A. Canalisation de gaz
B. Robinet d'arrêt manuel - position d'ouverture
C. Vers table de cuisson

Détendeur

Le détendeur fourni avec cette table de cuisson doit être utilisé. La pression d'alimentation du détendeur doit être comme suit pour un fonctionnement correct :

Gaz naturel :

Pression minimum : 6" (15,2 cm) (colonne d'eau)
Pression maximum : 14" (35,5 cm) (colonne d'eau)

Gaz propane :

Pression minimum : 11" (27,9 cm) (colonne d'eau)
Pression maximum : 14" (35,5 cm) (colonne d'eau)

En cas d'incertitude quant à la pression d'alimentation à établir, contacter le fournisseur de gaz local.

Caractéristiques d'alimentation du brûleur

Les débits thermiques indiqués sur la plaque signalétique correspondent à une altitude d'utilisation inférieure à 2000 pi (609,6 m).

Lorsque l'appareil est utilisé à une altitude supérieure à 2000 pi (609,6 m), on doit réduire le débit thermique indiqué de 4 % pour chaque tranche de 1000 pi (304,8 m) au-dessus du niveau de la mer (non applicable au Canada).

Test de pressurisation de la canalisation de gaz

On doit tester le détendeur sous une pression supérieure d'au moins 1" (colonne d'eau) à la pression de la tubulure de distribution indiquée sur la plaque signalétique.

Pressurisation à une pression supérieure à 1/2 lb/po² (14" - colonne d'eau)

Lors de tout test de pressurisation de ce système à une pression supérieure à 1/2 lb/po² (3,5 kPa), on doit déconnecter la table de cuisson et son robinet d'arrêt individuel de la canalisation de gaz.

Pressurisation à une pression relative de 1/2 lb/po² (14" - colonne d'eau) ou moins

Lors de tout test de pressurisation de la canalisation de gaz à une pression égale ou inférieure à 1/2 lb/po² (3,5 kPa), on doit isoler la table de cuisson de la canalisation de gaz par fermeture de son robinet d'arrêt manuel individuel.

INSTRUCTIONS D'INSTALLATION

Installation de la table de cuisson

⚠ AVERTISSEMENT

Risque du poids excessif

Utiliser deux ou plus de personnes pour déplacer et installer la table de cuisson.

Le non-respect de cette instruction peut causer une blessure au dos ou d'autre blessure.

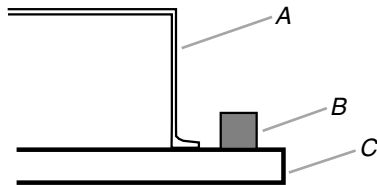
Prendre note des numéros de modèle et de série avant d'installer la table de cuisson. Les deux numéros sont situés sur la partie inférieure avant gauche de la console de la table de cuisson.

Déballer les pièces fournies avec la table de cuisson. Les pièces expédiées avec la table de cuisson dépendent du modèle commandé. Voir la section "Outillage et pièces" pour une liste complète des pièces fournies avec la table de cuisson.

Le détendeur et le connecteur de la canalisation de gaz flexible en acier inoxydable peuvent être raccordés à la table de cuisson maintenant ou après l'installation de la table de cuisson dans l'ouverture. Voir la section "Raccordement au gaz".

1. Déterminer l'emplacement final de la table de cuisson.
2. À l'aide de deux personnes ou plus, placer la table de cuisson à l'envers sur une surface couverte.
3. Enlever la bande de mousse du sachet de documentation. Retirer l'endos de la bande de mousse. Appliquer le côté adhésif de la bande en mousse le long des rives gauche et droite de l'habillage de la table de cuisson.

REMARQUE : La bande de mousse aide la table de cuisson à rester à plat sur des comptoirs irréguliers et permet d'éviter d'endommager la surface du plan de travail.



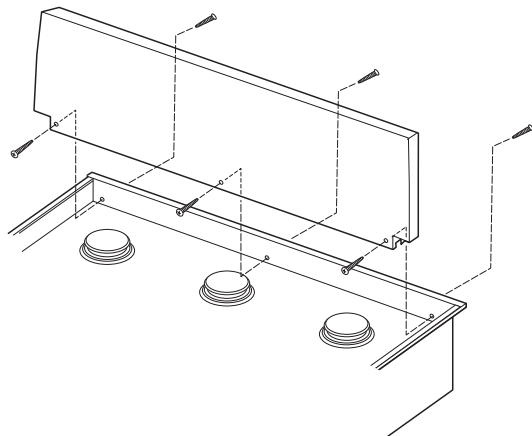
A. Base de la table de cuisson
B. Bande de mousse
C. Table de cuisson

4. À l'aide de deux personnes ou plus, tourner le côté droit de la table de cuisson vers le haut.

Installation du dossier facultatif

Il est possible que les modèles de 36" (91,4 cm) et 48" (121,9 cm) et doivent être installés avec un dossier. Voir "Dimensions du placard" à la section "Exigences d'emplacement" pour les spécifications concernant l'installation. Voir la section "Outillage et pièces" pour des renseignements sur la commande.

Ôter la garniture périphérique et fixer le dossier à l'aide de 6 vis; insérer 3 vis à l'avant et 3 en partant de l'arrière (dossier illustré de 9" [22,9 cm]).



Raccordement au gaz

⚠️ AVERTISSEMENT



Risque d'explosion

Utiliser une canalisation neuve d'arrivée de gaz approuvée par la CSA International.

Installer un robinet d'arrêt.

Bien serrer chaque organe de connexion de la canalisation de gaz.

En cas de connexion au gaz propane, demander à une personne qualifiée de s'assurer que la pression de gaz ne dépasse pas 36 cm (14 po) de la colonne d'eau.

Par personne qualifiée, on comprend :

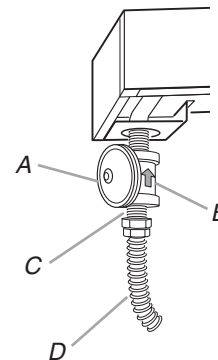
le personnel autorisé de chauffage,
le personnel autorisé d'une compagnie de gaz, et
le personnel d'entretien autorisé.

Le non-respect de ces instructions peut causer un décès, une explosion ou un incendie.

Assemblage du détendeur :

1. Placer la table de cuisson en appui sur le côté ou la face arrière; avec l'aide de deux personnes ou plus.
2. Connecter le raccord flexible d'acier inoxydable au détendeur - utiliser un raccord d'adaptation comportant un filetage mâle de 1/2" (NPT).

On doit utiliser une combinaison de raccords de tuyauterie pour raccorder la table de cuisson à l'alimentation en gaz existante. On voit ci-dessous une illustration d'un raccordement typique. Le raccordement peut varier, selon le type d'alimentation, la dimension et l'emplacement.



A. Détendeur
B. Détendeur - Doit être installé avec la flèche pointant vers le haut (vers le fond de la table de cuisson).
C. Raccord d'adaptation - avec filetage mâle NPT 1/2"
D. Canalisation flexible d'alimentation en gaz (acier inoxydable) approuvée par la CSA

- Orienter la flèche du détendeur vers le haut, vers le fond de la base des brûleurs de la table de cuisson et de telle manière que le chapeau du détendeur soit accessible.

IMPORTANT : Tous les raccords doivent être bien serrés à l'aide d'une clé. Ne pas serrer excessivement la connexion sur le détendeur. Un serrage excessif pourrait provoquer une fissuration du détendeur et une fuite de gaz. Lors du serrage d'un raccord, empêcher le détendeur de tourner sur le tuyau.

Utiliser uniquement un composé d'étanchéité des tuyauteries conçu pour l'utilisation avec le gaz naturel ou le propane. Ne pas utiliser de ruban TEFLON®.

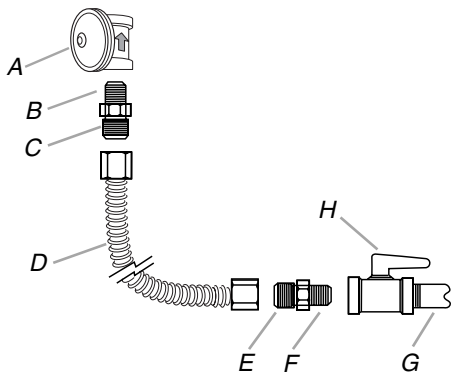
Il sera nécessaire de choisir les raccords à utiliser en fonction de la configuration d'installation.

- Placer la table de cuisson dans l'ouverture prévue à cet effet.

REMARQUE : Vérifier que le bord avant de la table de cuisson est parallèle au bord avant du plan de travail. S'il est nécessaire de repositionner la table de cuisson, la soulever entièrement de l'ouverture pour éviter de rayer le plan de travail.

Raccordement typique par raccord flexible

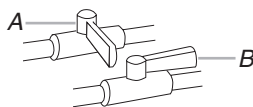
- Appliquer un composé d'étanchéité des tuyauteries résistant au propane sur l'extrémité fileté la plus petite des adaptateurs de raccord flexible (voir B et F ci-dessous).
- Fixer un raccord d'adaptation sur le régulateur de pression du gaz et l'autre raccord d'adaptation sur le robinet d'arrêt de la canalisation de gaz. Serrer les deux raccords d'adaptation.
- Utiliser une clé mixte de $15/16$ " et une pince multiprise pour fixer le raccord flexible sur les raccords d'adaptation. Veiller à ne pas déformer/écraser le raccord flexible.



- | | |
|---|---------------------------------------|
| A. Détendeur | E. Raccord d'adaptation |
| B. Appliquer un composé d'étanchéité. | F. Appliquer un composé d'étanchéité |
| C. Raccord d'adaptation - avec filetage mâle NPT de $1/2$ " | G. Tuyau de gaz de $1/2$ " ou $3/4$ " |
| D. Raccord flexible | H. Robinet d'arrêt manuel |

Compléter le raccordement

- Ouvrir le robinet d'arrêt manuel sur la canalisation de gaz. Le robinet est ouvert lorsque la manette est parallèle à la canalisation.



- A. Robinet fermé
B. Robinet ouvert

- Vérifier tous les raccords en les badigeonnant d'une solution de détection des fuites non corrosive approuvée. L'apparition de bulles indique une fuite. Réparer toute fuite éventuelle.
- Ôter les chapeaux de brûleur de surface et les grilles du sachet de pièces. Placer les chapeaux de brûleur sur la base de chaque brûleur. Placer les grilles de brûleur sur les brûleurs et chapeaux.

⚠ AVERTISSEMENT



Risque de choc électrique

Brancher sur une prise à 3 alvéoles reliée à la terre.

Ne pas enlever la broche de liaison à la terre.

Ne pas utiliser un adaptateur.

Ne pas utiliser un câble de rallonge.

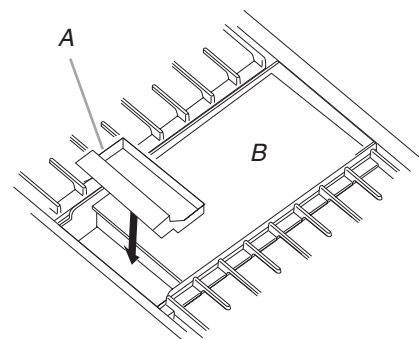
Le non-respect de ces instructions peut causer un décès, un incendie ou un choc électrique.

- Brancher sur une prise à 3 alvéoles reliée à la terre.
- Vérifier le fonctionnement des brûleurs de surface. Consulter la section "Vérification du fonctionnement des brûleurs de surface", dans la section "Système d'allumage électronique".
- Si votre modèle a été expédié une plaque à frire, consulter la section "Installation de la plaque à frire".

Installation de la plaque à frire (sur modèles avec plaque à frire)

La plaque à frire est installée à l'usine.

- Placer le plateau d'égouttement dans la cavité à l'avant de la plaque à frire. Faire glisser le plateau vers l'arrière jusqu'à la position de butée.



- A. Plateau d'égouttement de la plaque à frire
B. Plaque à frire

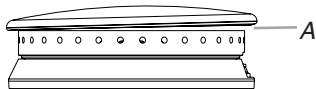
- Nettoyer la plaque à frire avant de l'utiliser. Consulter le Guide d'utilisation et d'entretien.

Achever l'installation

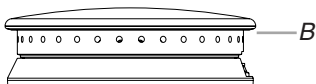
Installation des têtes et des chapeaux de brûleur

Installer le chapeau du brûleur et s'assurer que les tiges d'alignement sont bien alignées avec la base de brûleur. Placer le chapeau du brûleur (noir) sur la tête du brûleur.

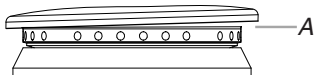
Brûleur à double flamme Ultra Power™ de 20 000 BTU/h



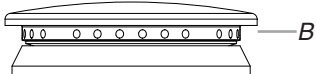
A. Incorrect
B. Correct



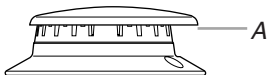
Brûleur de professionnel de 15 000 BTU/h



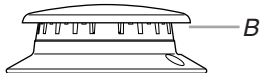
A. Incorrect
B. Correct



Brûleur pour faire mijoter/fondre de 5 000 BTU/h



A. Incorrect
B. Correct



Système d'allumage électronique

Allumage initial et réglages des flammes de gaz

À la place de flammes de veille, les brûleurs de la table de cuisson sont dotés d'allumeurs électroniques. Lorsqu'on place le bouton de commande de la table de cuisson à n'importe quelle position, le système génère une étincelle pour allumer le brûleur. Les étincelles continuent d'être générées jusqu'à ce que la flamme soit allumée ou que l'on tourne le bouton à Off (arrêt).

Contrôle du fonctionnement des brûleurs de la table de cuisson

Enfoncer et tourner chaque bouton de commande à la position "LITE".

Les brûleurs de surface et les flammes du gril doivent s'allumer dans les 4 secondes. La première fois que l'on allume un brûleur, il peut prendre plus de 4 secondes pour s'allumer à cause de l'air se trouvant dans la canalisation de gaz.

Après avoir vérifié le bon fonctionnement du brûleur, tourner les boutons de commande à "OFF" (arrêt).

Si les brûleurs ne s'allument pas correctement :

- Tourner le bouton de commande de la table de cuisson à la position "OFF" (arrêt).

- Vérifier que la table de cuisson est branchée, que le disjoncteur ne s'est pas déclenché et qu'aucun fusible n'est grillé.
- Vérifier que chaque robinet d'arrêt de gaz est à la position "open" (ouverture).
- Vérifier que les chapeaux de brûleurs sont correctement placés sur la base des brûleurs.

Répéter le processus de mise en marche. Si à ce stade un brûleur ne s'allume pas, contacter le revendeur ou un réparateur agréé.

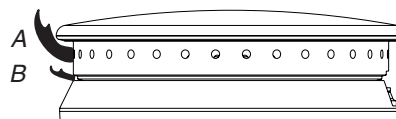
Si vous avez besoin d'assistance ou de service :

Consulter la section "Assistance ou service" du Guide d'utilisation et d'entretien ou contacter le marchand chez qui vous avez acheté votre table de cuisson.

Hauteur de flamme

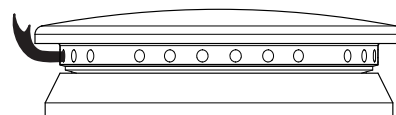
La flamme de la table de cuisson doit correspondre à une flamme bleue stable d'environ 1/4" (0,64 cm) de hauteur.

Brûleur à double flamme



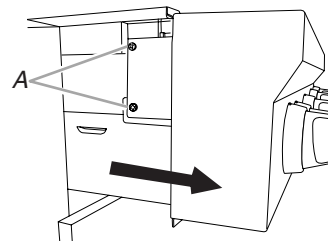
A. Débit thermique maximum
B. Débit thermique minimum (flamme de mijotage)

Brûleur à flamme simple



Réglage de la taille des flammes :

1. Débrancher la table de cuisson ou déconnecter la source de courant électrique.
2. Ôter les grilles de brûleur.
3. Ôter les boutons de commande.
4. Tirer la table de cuisson vers l'avant pour découvrir les vis de la console de commande situées sur le côté de la base du brûleur de la table de cuisson.
5. Ôter les 2 vis situées de chaque côté de la base du brûleur de la table de cuisson qui maintiennent la console de commande en place.

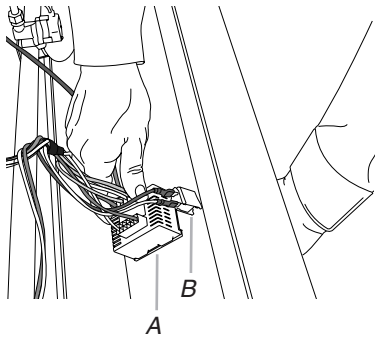


A. Vis de fixation de la console

6. Déconnecter le câblage de la console de commande.

Sur les modèles avec plaque à frire :

Soutenir la console de commande par le milieu avec un bras et déconnecter les connecteurs du commutateur de la plaque à frire et le témoin lumineux du grill avec l'autre main.

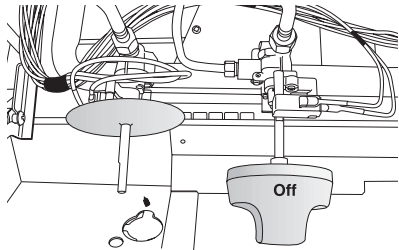


A. Connecteurs du commutateur de la plaque à frire
B. Connecteur du témoin lumineux du grill

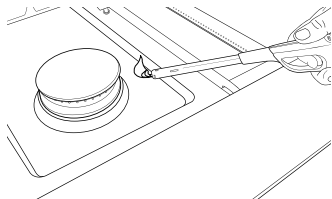
7. Retirer la console et la mettre de côté.

8. Ôter le joint circulaire de la tige de réglage du robinet.

9. Placer un bouton de commande sur la tige de réglage du brûleur que l'on souhaite régler.



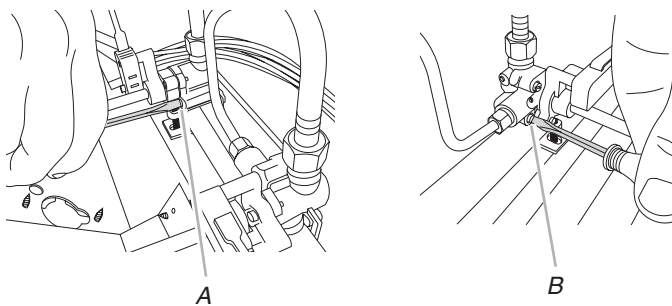
10. À l'aide d'un allumeur à butane avec extension, tourner le bouton de commande à LO (basse) et allumer le brûleur.



11. Ôter le bouton de commande.

12. Régler la hauteur de flamme à l'aide d'un tournevis à lame plate de 1/8" x 4 1/4". Serrer la vis pour réduire la hauteur de la flamme. Desserrer la vis pour augmenter la hauteur de flamme.

REMARQUE : Lors de la conversion au gaz propane, la vis doit être complètement resserrée.



A. Vis de réglage du brûleur à flamme simple (du côté droit du robinet)
B. Vis de réglage du brûleur à double flamme (du côté gauche du robinet)

13. Lorsque l'on a terminé de régler la hauteur de flamme, replacer le bouton de commande sur la tige de réglage du robinet et éteindre le brûleur.

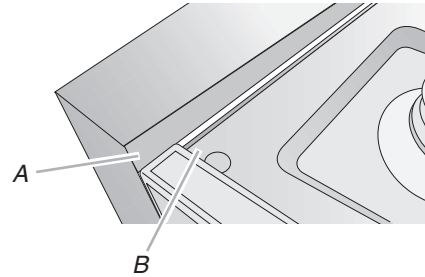
14. Ôter le bouton de commande.

15. Remettre en place le joint circulaire.

16. Répéter les étapes 8 à 15 pour tout autre brûleur nécessitant un réglage.

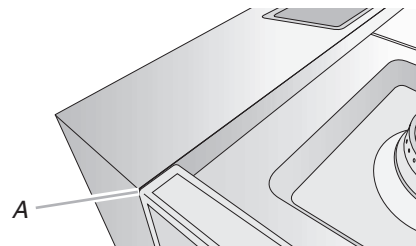
17. Réinstaller la console de commande. Soutenir la console de commande par le milieu avec un bras et reconnector les connecteurs du commutateur de la plaque à frire et/ou le connecteur du témoin lumineux du grill.

18. Remettre la console de commande en place sur la table cuisson. Pour que les deux soient bien emboîtées, le rebord de la console de commande doit se rabattre par-dessus la bordure avant de la table de cuisson.



A. Rebord de la console de commande
B. Bordure avant de table de cuisson de cuisinière

19. Vérifier que la console de commande est en affleurement avec le bord supérieur de la table de cuisson.



A. En affleurement avec le dessus de la table de cuisson

20. Remettre en place les 2 vis de chaque côté de la console de commande.

21. Repousser la table de cuisson vers l'arrière pour la remettre en place dans l'ouverture découpée.

22. Réinstaller les boutons de commande.

23. Réinstaller les grilles des brûleurs.

24. Brancher la table de cuisson ou reconnector la source de courant électrique.

25. Tester la flamme en tournant le bouton de commande pour le faire passer de la position "LO" (basse) à la position "HI" (élevée) et observer les flammes pour chaque réglage.

CONVERSIONS POUR CHANGEMENT DE GAZ

IMPORTANT : L'opération de conversion de l'appareil (pour l'alimentation au gaz propane au lieu du gaz naturel) doit être exécutée par un installateur qualifié.

⚠ AVERTISSEMENT



Risque d'explosion

Utiliser une canalisation neuve d'arrivée de gaz approuvée par la CSA International.

Installer un robinet d'arrêt.

Bien serrer chaque organe de connexion de la canalisation de gaz.

En cas de connexion au gaz propane, demander à une personne qualifiée de s'assurer que la pression de gaz ne dépasse pas 36 cm (14 po) de la colonne d'eau.

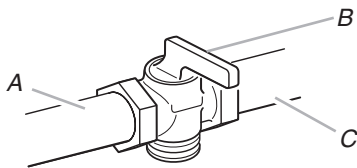
Par personne qualifiée, on comprend :

le personnel autorisé de chauffage,
le personnel autorisé d'une compagnie de gaz, et
le personnel d'entretien autorisé.

Le non-respect de ces instructions peut causer un décès, une explosion ou un incendie.

Conversion pour l'alimentation au propane

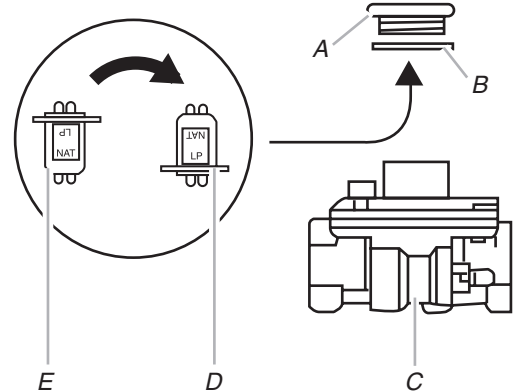
1. Tourner le robinet d'arrêt manuel pour le placer à la position de fermeture.
2. Débrancher la table de cuisson ou déconnecter la source de courant électrique.



- A. Vers la table de cuisson
B. Robinet d'arrêt (position de fermeture)
C. Canalisation d'alimentation en gaz

Conversion du détendeur

1. Utiliser une clé pour enlever le chapeau de l'ouverture d'accès; faire tourner le chapeau dans le sens antihoraire.
2. Ôter le ressort de retenue qui se trouve sous le chapeau - pousser contre le côté plat du ressort de retenue. Examiner le ressort de retenue pour identifier la position "NAT" ou "LP". Orienter correctement le ressort de retenue pour que la mention "LP" soit au fond. Réinstaller le ressort de retenue dans le chapeau. Réinstaller le chapeau sur le détendeur.



- A. Chapeau de l'ouverture d'accès
B. Joint d'étanchéité
C. Détendeur
D. Position LP
E. Position NAT

3. Tester le détendeur et la canalisation de gaz.

On doit tester le détendeur sous une pression supérieure d'au moins 1" (2,5 cm) (colonne d'eau) à la pression de réglage. Pour le fonctionnement et le contrôle du réglage du détendeur, il faut que la pression d'admission au détendeur corresponde aux indications ci-dessous :

Gaz propane :

Pression minimum : 11" (27,9 cm) (colonne d'eau)
Pression maximum : 14" (35,5 cm) (colonne d'eau)

Test de pressurisation de la canalisation de gaz

On doit tester le détendeur sous une pression supérieure d'au moins 1" (colonne d'eau) à la pression de la tubulure de distribution indiquée sur la plaque signalétique.

Pressurisation à une pression supérieure à ½ lb/po² (14" – colonne d'eau)

Pour tout test de pressurisation du système à une pression supérieure à ½ lb/po² (3,5 kPa), on doit déconnecter la table de cuisson et son robinet d'arrêt des canalisations d'alimentation en gaz à pressuriser.

Pressurisation à une pression de ½ lb/po² (14" – colonne d'eau) ou moins

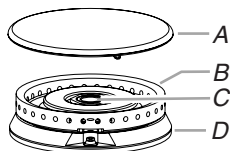
La table de cuisson devra être isolée des canalisations d'alimentation en gaz par la fermeture du robinet d'arrêt manuel individuel durant tout test de pressurisation des canalisations d'alimentation en gaz à une pression égale ou inférieure à ½ lb/po² (3,5 kPa).

Conversion des brûleurs de surface

1. Enlever les grilles de brûleur si elles sont installées.
2. Ôter le chapeau de brûleur.
3. Ôter la tête de brûleur.

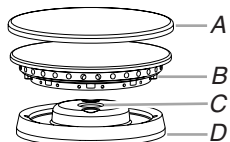
REMARQUE : On doit utiliser une douille de 7/8" pour retirer la tête de brûleur des gros brûleurs à double flamme.

4. Utiliser un tournevis Torx® T15 pour enlever la base du brûleur.



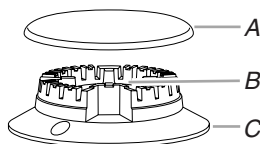
Gros brûleur à double flamme

- A. Chapeau de brûleur
- B. Tête de brûleur
- C. Ouverture de gaz
- D. Base du brûleur



Brûleur moyen

- A. Chapeau de brûleur
- B. Tête de brûleur
- C. Ouverture de gaz
- D. Base du brûleur



Petit brûleur

- A. Chapeau de brûleur
- B. Ouverture de gaz
- C. Base du brûleur

5. Appliquer du ruban adhésif de masquage à l'extrémité d'un tourne-écrou de 7 mm pour retenir le gicleur du brûleur dans le tourne-écrou durant l'extraction. Insérer le tourne-écrou dans l'ouverture de gaz, appuyer sur le gicleur et le retirer en le faisant tourner dans le sens antihoraire et en le soulevant. Conserver à part le gicleur du brûleur.
6. Remplacer le gicleur par un gicleur pour gaz propane de taille correcte. Voir le "Tableau de sélection des gicleurs/injecteurs femelles pour gaz propane".

Gicleur de brûleur



A. Marquage ou couleur pour identification de la taille

Suivre les indications du tableau ci-dessous pour pouvoir déterminer l'emplacement exact de chaque gicleur de brûleur.

Tableau de sélection des gicleurs/injecteurs femelles pour gaz propane

Puissance thermique	Couleur	Taille	Style de brûleur
3 000 BTU	Bleu	0,65 mm	Petits brûleurs
12 500 BTU	Cuivre	1,04 mm	Brûleurs moyens
15 500 BTU	Jaune Vert	1,05 mm 0,45 mm	Gros brûleur - principal Gros brûleur - mijotage

7. Placer les gicleurs pour gaz naturel dans le sachet de pièces en plastique et les conserver avec le sachet de documentation, pour pouvoir les réutiliser ultérieurement.
8. Réinstaller la base du brûleur – utiliser les deux vis.
9. Réinstaller la tête et le chapeau de brûleur.
10. Répéter les étapes 2 à 9 pour les autres brûleurs.

Achever l'installation

1. Consulter la section "Raccordement au gaz" pour le raccordement correct de la table de cuisson à la canalisation d'alimentation en gaz.
2. Pour l'allumage et l'utilisation corrects du brûleur ainsi que le réglage des flammes sur le brûleur, voir la section "Système d'allumage électronique".

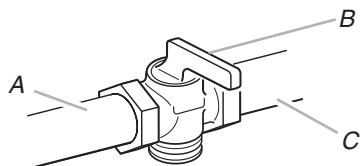
IMPORTANT : Il peut être nécessaire de modifier le réglage des flammes à la position du débit thermique minimum ("LO") pour chaque brûleur de la table de cuisson.

Il est très important de vérifier l'établissement de flammes correctes sur les brûleurs de la table de cuisson. Le petit cône interne doit comporter une flamme bleue très distincte de 1/4" (0,64 cm) à 1/2" (1,3 cm) de longueur. Le cône externe n'est pas aussi distinct que le cône interne. Les flammes d'un brûleur alimenté au propane comportent une pointe légèrement jaune.

3. Voir le paragraphe "Achever l'installation" de la section "Instructions d'installation" du présent manuel pour achever ce processus.

Conversion pour l'alimentation au gaz naturel

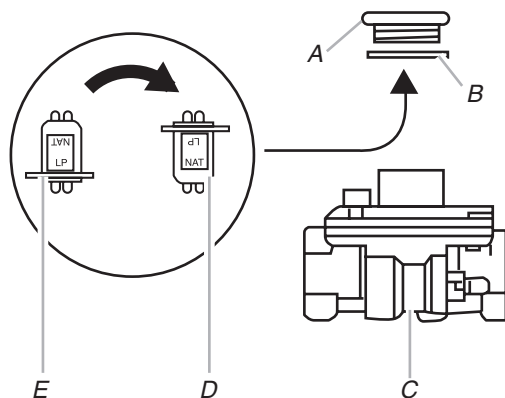
1. Fermer le robinet d'arrêt manuel.
2. Débrancher la table de cuisson ou déconnecter la source de courant électrique.



- A. Vers la table de cuisson
 B. Robinet d'arrêt (position de fermeture)
 C. Canalisation d'alimentation en gaz

Conversion du détendeur

1. Utiliser une clé pour enlever le chapeau de l'ouverture d'accès; faire tourner le chapeau dans le sens antihoraire.
2. Ôter le ressort de retenue qui se trouve sous le chapeau - pousser contre le côté plat du ressort de retenue. Examiner le ressort de retenue pour identifier la position "LP" ou "NAT". Orienter correctement le ressort de retenue pour que la mention "NAT" soit au fond. Réinstaller le ressort de retenue dans le chapeau. Réinstaller le chapeau sur le détendeur.



- A. Chapeau de l'ouverture d'accès
 B. Joint d'étanchéité
 C. Détendeur
 D. Position NAT
 E. Position LP

3. Tester le détendeur et la canalisation de gaz.

On doit tester le détendeur sous une pression supérieure d'au moins 1" (2,5 cm) (colonne d'eau) à la pression de réglage. Pour le fonctionnement et le contrôle du réglage du détendeur, il faut que la pression d'admission au détendeur corresponde aux indications ci-dessous :

Gaz naturel :

Pression minimum : 6" (15,2 cm) (colonne d'eau)
 Pression maximum : 14" (35,5 cm) (colonne d'eau)

Test de pressurisation de la canalisation de gaz

On doit tester le détendeur sous une pression supérieure d'au moins 1" (colonne d'eau) à la pression de la tubulure de distribution indiquée sur la plaque signalétique.

Pressurisation à une pression supérieure à ½ lb/po² (14" – colonne d'eau)

Pour tout test de pressurisation du système à une pression supérieure à ½ lb/po² (3,5 kPa), on doit déconnecter la table de cuisson et son robinet d'arrêt des canalisations d'alimentation en gaz à pressuriser.

Pressurisation à une pression de ½ lb/po² (14" – colonne d'eau) ou moins

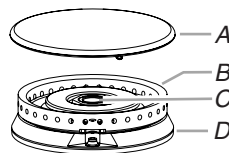
La table de cuisson devra être isolée des canalisations d'alimentation en gaz par la fermeture du robinet d'arrêt manuel individuel durant tout test de pressurisation des canalisations d'alimentation en gaz à une pression égale ou inférieure à ½ lb/po² (3,5 kPa).

Conversion des brûleurs de surface

1. Enlever les grilles de brûleur si elles sont installées.
2. Ôter le chapeau de brûleur.
3. Ôter la tête de brûleur.

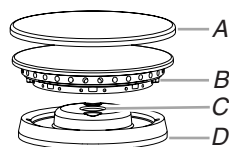
REMARQUE : On doit utiliser une douille de 7/8" pour retirer la tête de brûleur des gros brûleurs à double flamme.

4. Utiliser un tournevis Torx® T15 pour enlever la base du brûleur.



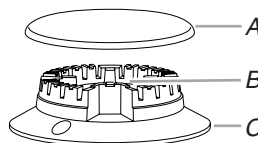
Gros brûleur à double flamme

- A. Chapeau de brûleur
 B. Tête de brûleur
 C. Ouverture de gaz
 D. Base du brûleur



Brûleur moyen

- A. Chapeau de brûleur
 B. Tête de brûleur
 C. Ouverture de gaz
 D. Base du brûleur



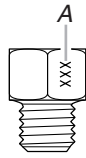
Petit brûleur

- A. Chapeau de brûleur
 B. Ouverture de gaz
 C. Base du brûleur

5. Appliquer du ruban adhésif de masquage à l'extrémité d'un tourne-écrou de 7 mm pour retenir le gicleur du brûleur dans le tourne-écrou durant l'extraction. Insérer le tourne-écrou dans l'ouverture de gaz, appuyer sur le gicleur et le retirer en le faisant tourner dans le sens antihoraire et en le soulevant. Conserver à part le gicleur du brûleur.

- Remplacer le gicleur par un gicleur pour gaz naturel de taille correcte. Voir le "Tableau de sélection des gicleurs/injecteurs femelles pour gaz naturel".

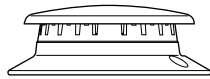
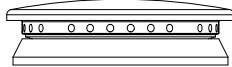
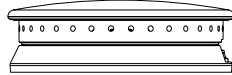
Gicleur de brûleur



A. Marquage pour identification de la taille

Suivre les indications du tableau ci-dessous pour pouvoir déterminer l'emplacement exact de chaque gicleur de brûleur.

Tableau de sélection des gicleurs/injecteurs femelles pour gaz propane

Puissance thermique	Taille	Style de brûleur
5 000 BTU	1,01 mm	Petits brûleurs 
15 000 BTU	1,75 mm	Brûleurs moyens 
20 000 BTU	1,89 mm 0,69 mm	Gros brûleur - principal Gros brûleur - mijotage 

- Placer les gicleurs pour propane dans le sachet de pièces en plastique et avec les documents fournis avec l'appareil, pour pouvoir les réutiliser ultérieurement.
- Réinstaller la base du brûleur – utiliser les deux vis.
- Réinstaller la tête et le chapeau de brûleur.
- Répéter les étapes 2 à 9 pour les autres brûleurs.

Achever l'installation

- Consulter la section "Raccordement au gaz" pour le raccordement correct de la table de cuisson à la canalisation d'alimentation en gaz.
- Pour l'allumage et l'utilisation corrects du brûleur ainsi que le réglage des flammes sur le brûleur, voir la section "Système d'allumage électronique".

IMPORTANT : Il peut être nécessaire de modifier le réglage des flammes à la position du débit thermique minimum ("LO") pour chaque brûleur de la table de cuisson.

Il est très important de vérifier l'établissement de flammes correctes sur les brûleurs de la table de cuisson. Le petit cône interne doit comporter une flamme bleue très distincte de ¼" (0,64 cm) à ½" (1,3 cm) de long. Le cône externe n'est pas aussi distinct que le cône interne. Les flammes d'un brûleur alimenté au propane comportent une pointe légèrement jaune.

- Voir le paragraphe "Achever l'installation" de la section "Instructions d'installation" du présent manuel pour achever ce processus.

SCHÉMA DES CIRCUITS

Schéma de câblage de commande à 120 V de la plaque à la table de cuisson autonome

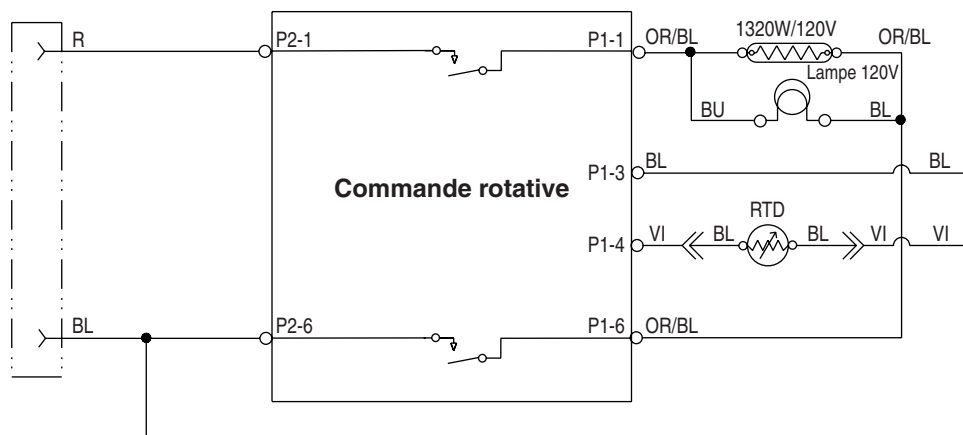
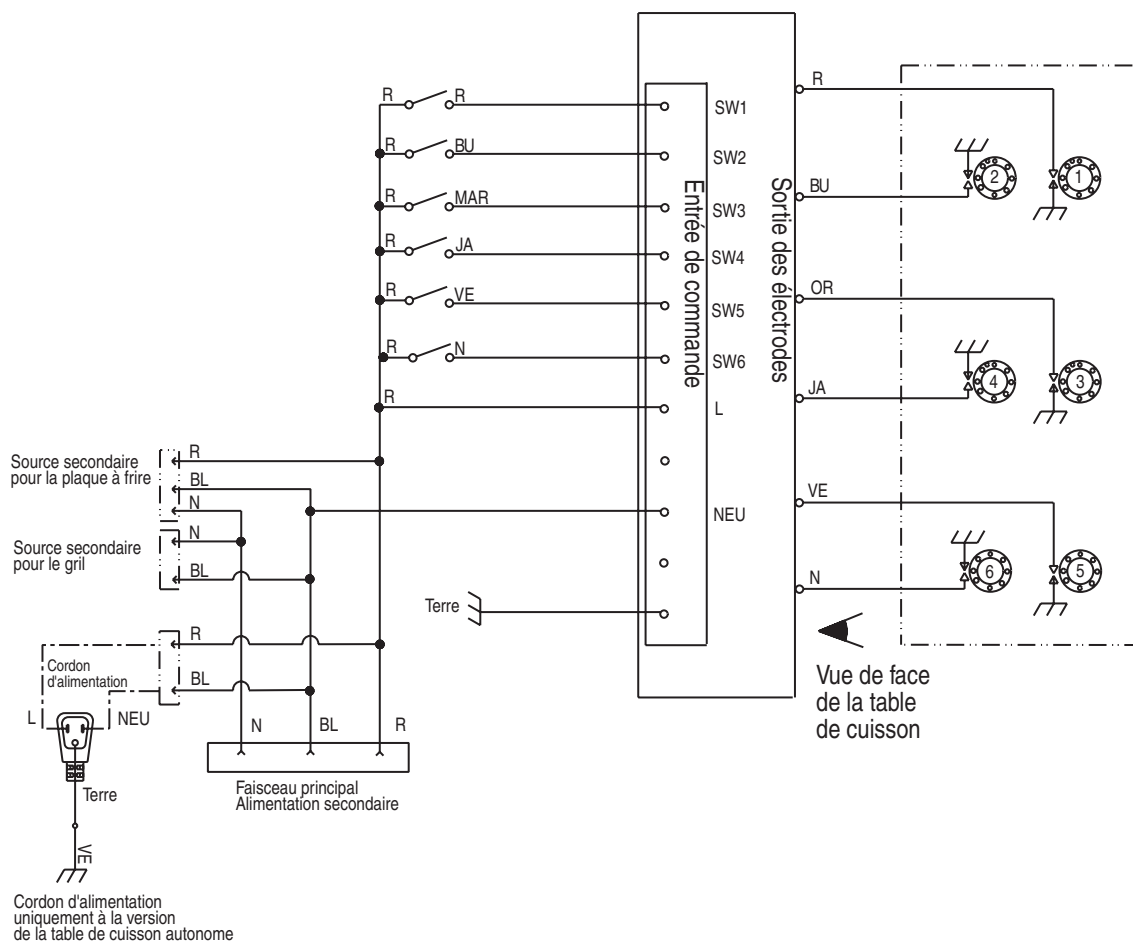


SCHÉMA DE CÂBLAGE

Mise en garde : Lors de toute intervention sur les circuits, étiqueter chaque conducteur avant de le déconnecter. Une erreur lors du rebranchement pourrait susciter une situation dangereuse ou un fonctionnement incorrect. Vérifier le bon fonctionnement de l'appareil après l'intervention.

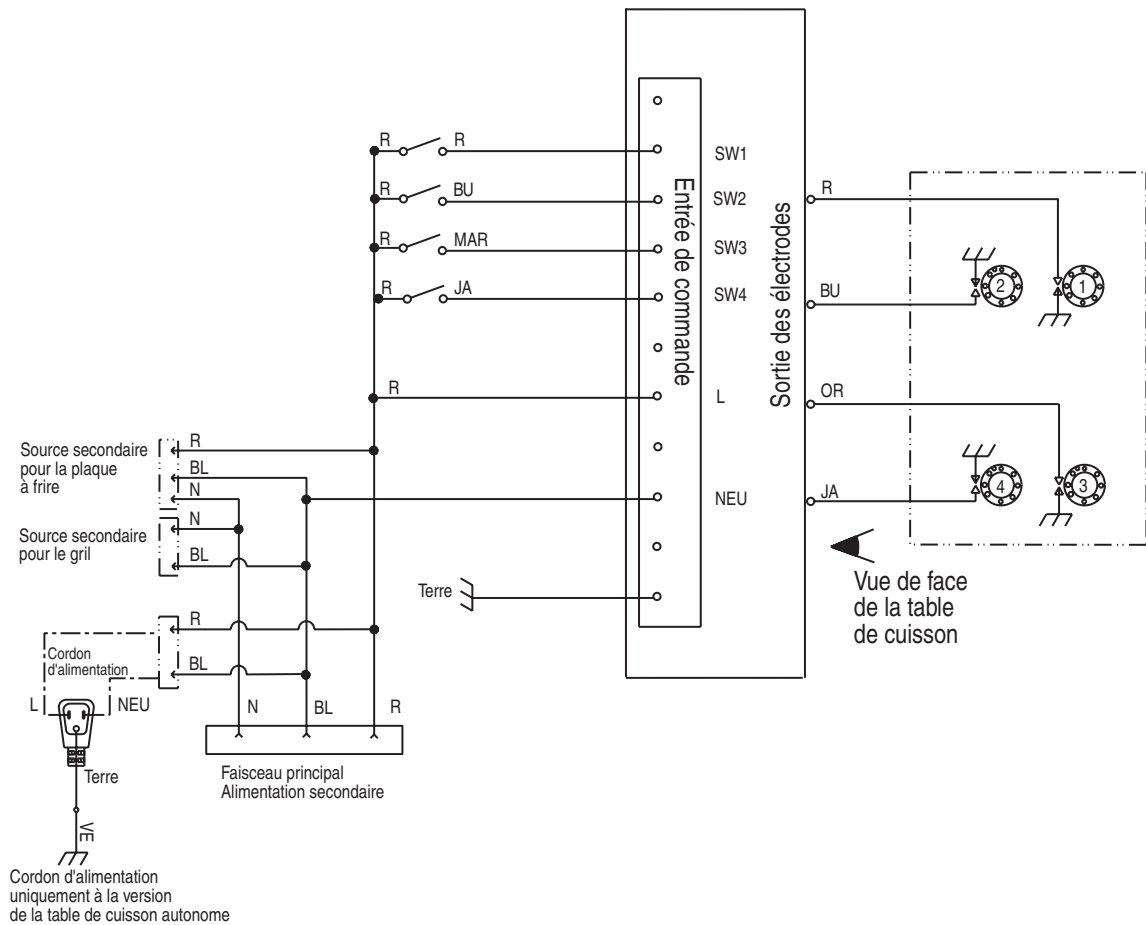
Schéma de câblage de ralliement de la table de cuisson à six brûleurs



LÉGENDE

Masse- (Châssis)	Fiche avec connecteur femelle	Prise avec connecteur mâle	Électrode	Transform- mètre	Contacts du relais	Vanne solénoïde	Contacteur	Brûleur à gaz de la table de cuisson	RTD - capteur de température	Élément chauffant	Témion lumineux

Schéma de câblage de rallumage de la table de cuisson à quatre brûleurs



LÉGENDE

Masse- (Châssis)	Fiche avec connecteur femelle	Prise avec connecteur mâle	Électrode	Transfor- mateur	Contacts du relais	Vanne solénoïde	Contacteur	Brûleur à gaz de la table de cuisson	RTD - capteur de température	Élément chauffant	Témion lumineux

W10145395A

© 2009.
All rights reserved.
Tous droits réservés.

© Registered Trademark/TM Trademark of Jenn-Air, U.S.A. Used under license by Maytag Limited in Canada.
©Marque déposée/TM Marque de commerce de Jenn-Air, U.S.A. Emploi sous licence par Maytag Limited au Canada.

8/09
Printed in U.S.A.
Imprimé aux É.-U.