
UNIQUE®

2245 Wyecroft Road #5, Oakville, Ontario Canada L6L 5L7
Ph: 905-827-6157 Toll Free: 1-877-427-2266 Fax: 905-827-2027
www.UniqueOffGrid.com

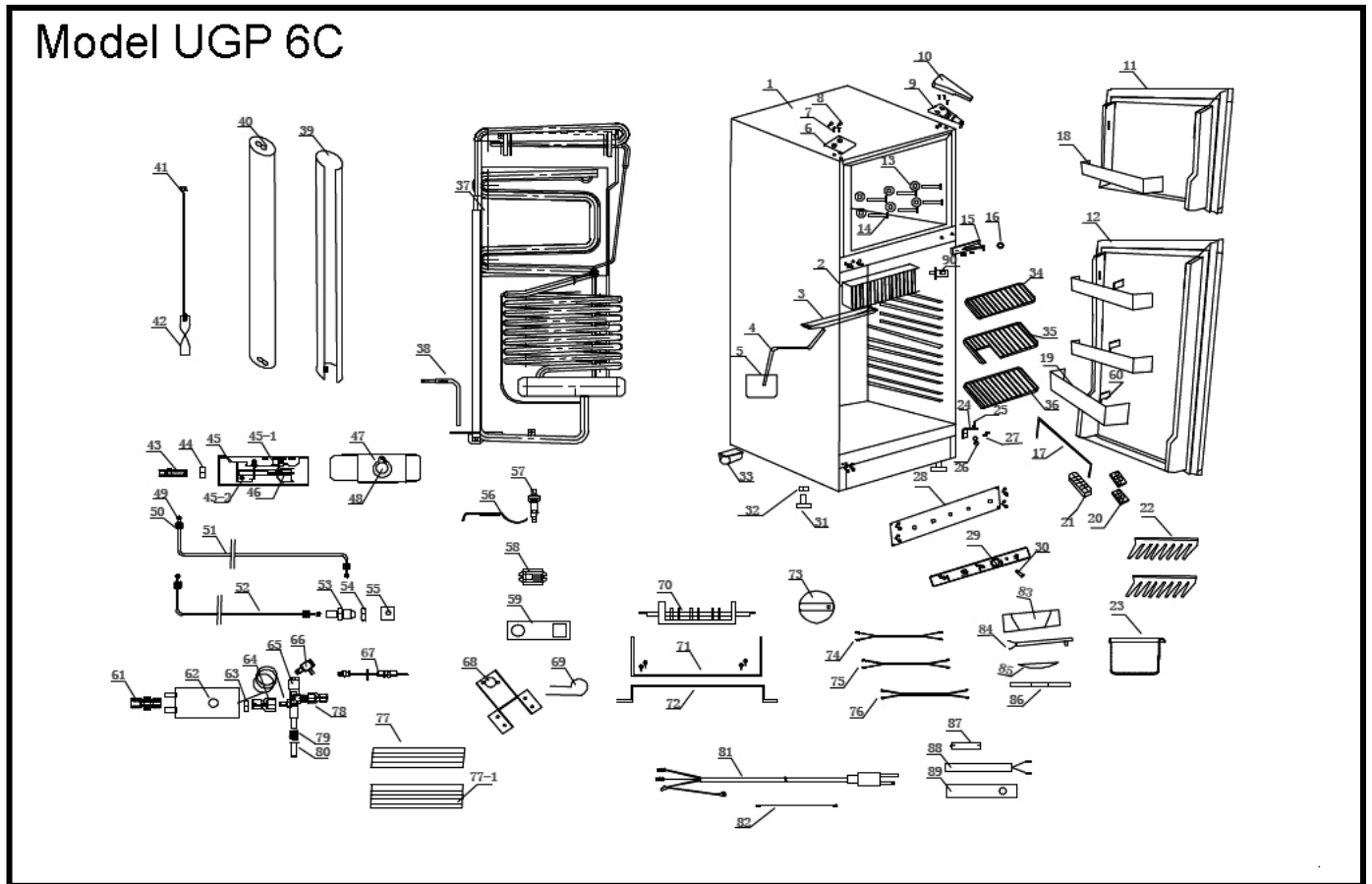
Parts Guide 2012 to Current

UGP 10

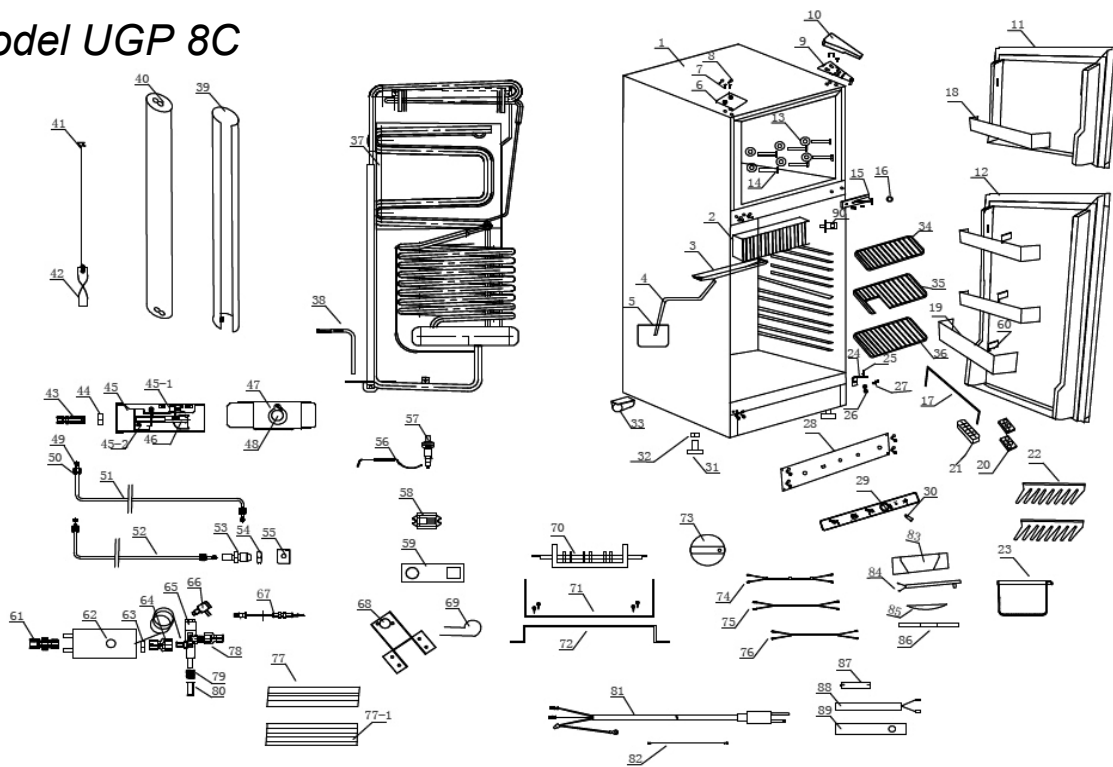


"Personal Service & Knowledge makes us Unique"

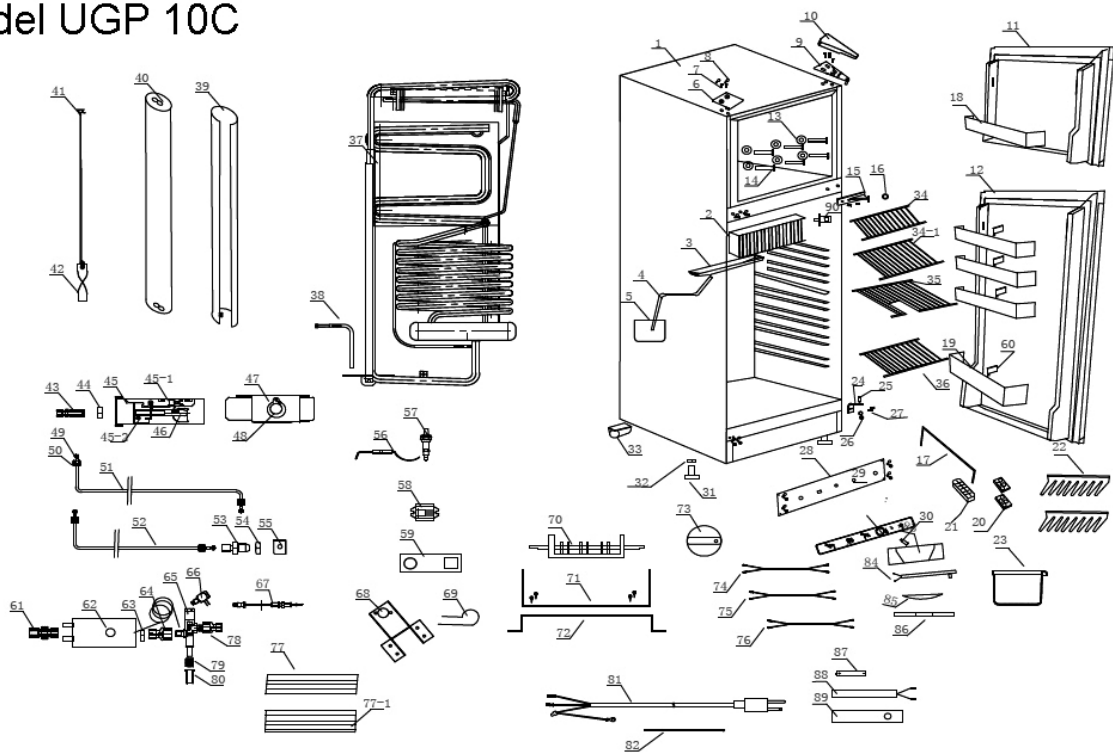
Parts Diagram and Lists – UGP 6C/8C/10C



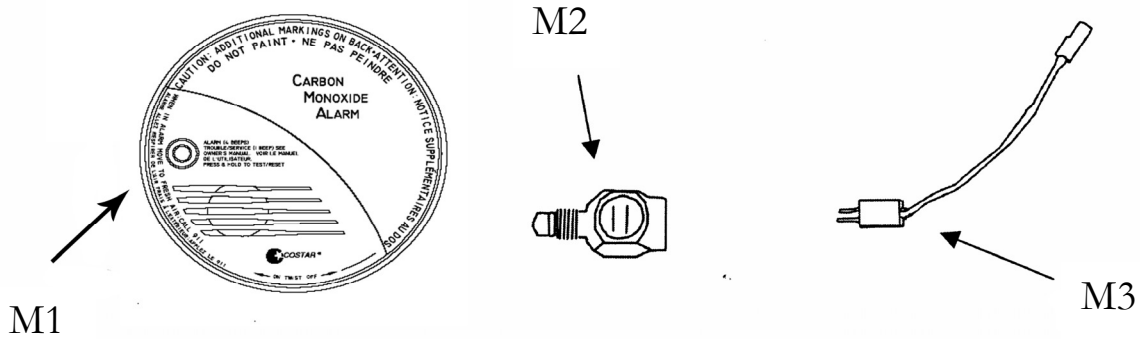
Model UGP 8C



Model UGP 10C



CO-Monitor and Components – all units



UNIQUE - UGP 6C		
Item #	Part code	Part name
1	N/A	Cabinet
2	DL27501009	Heat sink
3	DL27501005	Drip tray
4	DL00009088	Drainage hose
5	DL10001155	Drip pan
6	DL22001080	Hinge cover
7	DL00003005	Screw
8	DL10001193	Screw cap
9	DL22001079	Top hinge
10	DL22001074	Top hinge cover
11	DLUGP6CFRED	Freezer door
12	DLUGP6CFRID	Fridge door
13	DL10001020	Washer
14	DL00001191	Screw
15	DL18301079	Middle hinge
16	DL08501152	Washer
17	DL22502213	Bottle rack
18	DL22501145	Freezer balcony
19	DL22502240	Fridge balcony
20	DL10001104	Egg tray
21	DL03001003	Ice tray
22	DL18301133	Bottle holder

UNIQUE - UGP 6C

Item #	Part code	Part name
23	DL22501047	Crisper
24	DL18301080	Bottom hinge
25	DL08501180	Bottom hinge pin
26	DL00003018	Spring washer
27	DL00003005	Screw
28	DL27501192	Control panel
29	DL27501193	Control label
30	DL00013598	Lamp
31	DL00010053	Foot
32	DL00003068	Screw
33	DL14502072	Castor
34	DL22501163	Top shelf
35	DL22501165	Middle shelf
36	DL22501166	Bottom shelf
37	DL18503055	Cooling unit
38	DL27501060	Heater
39	DL00006007	Glass wool
40	DL18501020	Insulation cover
41	DL27501007	Baffle
42	DL18502082	Baffle holder
43	DL00004003	Screw
44	DL00009306	Washer
44-1	DL10001289	Connector
44-2	DL10001291	Test valve body
44-3	DL18301172	Screw
44-4	DL22501186	Injector
45	DL10001180	Burner assembly
45-1	DL10001177	Burner bracket
45-2	DL10001179	Burner tube support
46	DL10001142	Burner tube
47	DL18301042	Burner cover
48	DL10001186	Cover window
49	DL10001136	Seal ring
50	DL10001113	Nut
51	DL18301122	Pipe
52	DL18301123	Pipe
53	DL10001267	Gas connector
54	DL00003075	Nut
55	DL10001096	Connector bracket
56	DL18301374	Electrode

UNIQUE - UGP 6C

Item #	Part code	Part name
57	DL20001077	Piezo ignitor
58	DL18301013	Flame indicator
59	DL18301015	Bracket
60	DL22502241	Balcony spacer
61	DL10001114	Connector
62	DL18301115	Thermostat
63	DL18301029	Nut
64	DL10001115	Connector
65	DL18301005	Safety valve
66	DL22001180	Connector
67	DL10001349	Thermocouple
68	DL18301012	Thermostat bracket
69	DL28801267	Power cord holder
70	DL10001213	Rotary switch
71	DL10001271	Bracket
72	DL18301201	Bracket
73	DL18301033	Knob
74	DL10001327	Connection wire
75	DL10001328	Connection wire
76	DL10001350	Connection wire
77	DL27501137	Front bottom
77-1	DL27501138	Rear bottom
78	DL10001116	Connector
79	DL10001145	Spring
80	DL18301034	Button
81	DL10001252	Power cord
82	DL10001056	Grounding wire
83	DL04001634	Lamp box
84	DL27501160	Lamp board
85	DL04001633	Lamp cover
86	DL04001632	Lamp box bottom
87	DL22001113	Battery
88	DL27501190	Battery holder
89	DL27501191	Battery cover
90	DL00013660	Lamp switch
M1	UGP-9RV-SSO	CO DETECTOR 9RV SSO
M2	QMP-INTERRUPTER BLOCK	INTERRUPTER BLOCK FOR CO-MONITORED FRIGDES
M3	QMP-36" MOSFET	MOSFET ASSY - FOR CO-MONITORED MODELS

ELECTRONIC IGNITION SYSTEM COMPONENTS – NOT SHOWN ON DIAGRAMS		
N/A	DL18301371	Battery Ignitor
N/A	DL22501187	CONNECTION WIRE
N/A	DL18301372	PUSH BUTTON SWITCH
N/A	DL10001418	ELECTRODE
N/A	DL22501138	CONTROL PANEL

UNIQUE - UGP 8C

Item #	Part code	Part name
1	N/A	Cabinet
2	DL27501009	Heat sink
3	DL27501005	Drip tray
4	DL00009088	Drainage hose
5	DL10001155	Drip pan
6	DL22001080	Hinge cover
7	DL00003005	Screw
8	DL10001193	Screw cap
9	DL22001079	Top hinge
10	DL22001074	Top hinge cover
11	DLUGP8CFRED	Freezer door
12	DLUGP8CFRID	Fridge door
13	DL10001020	Washer
14	DL00001191	Screw
15	DL18301079	Middle hinge
16	DL08501152	Washer
17	DL22502213	Bottle rack
18	DL22501145	Freezer balcony
19	DL22502240	Fridge balcony
20	DL10001104	Egg tray
21	DL03001003	Ice tray
22	DL18301133	Bottle holder
23	DL22501047	Crisper
24	DL18301080	Bottom hinge
25	DL08501180	Bottom hinge pin
26	DL00003018	Spring washer
27	DL00003005	Screw
28	DL27501192	Control panel
29	DL27501193	Control label
30	DL00013598	Lamp
31	DL00010053	Foot
32	DL00003068	Screw
33	DL14502072	Castor
34	DL22501163	Top shelf
34-1	DL22501164	Middle shelf
35	DL22501165	Middle shelf
36	DL22501166	Bottom shelf
37	DL22503082	Cooling unit
38	DL27501060	Heater
39	DL00006007	Glass wool

UNIQUE - UGP 8C

Item #	Part code	Part name
40	DL22501136	Insulation cover
41	DL27501007	Baffle
42	DL22502227	Baffle holder
43	DL00004003	Screw
44	DL00009306	Washer
44-1	DL22501185	Connector
44-2	DL10001291	Test valve body
44-3	DL18301172	Screw
44-4	DL22501186	Injector
45	DL10001180	Burner assembly
45-1	DL10001177	Burner bracket
45-2	DL10001179	Burner tube support
46	DL10001142	Burner tube
47	DL18301042	Burner cover
48	DL10001186	Cover window
49	DL10001136	Seal ring
50	DL10001113	Nut
51	DL18301122	Pipe
52	DL18301123	Pipe
53	DL10001267	Gas connector
54	DL00003075	Nut
55	DL10001096	Connector bracket
56	DL18301374	Electrode
57	DL20001077	Piezo ignitor
58	DL18301013	Flame indicator
59	DL18301015	Bracket
60	DL22502241	Balcony spacer
61	DL10001114	Connector
62	DL18301115	Thermostat
63	DL18301029	Nut
64	DL10001115	Connector
65	DL18301005	Safety valve
66	DL22001180	Connector
67	DL10001349	Thermocouple
68	DL18301012	Thermostat bracket
69	DL28801267	Power cord holder
70	DL10001213	Rotary switch
71	DL10001271	Bracket
72	DL18301201	Bracket

UNIQUE - UGP 8C

Item #	Part code	Part name
73	DL18301033	Knob
74	DL10001327	Connection wire
75	DL10001328	Connection wire
76	DL10001350	Connection wire
77	DL27501137	Front bottom
77-1	DL27501138	Rear bottom
78	DL10001116	Connector
79	DL10001145	Spring
80	DL18301034	Button
81	DL10001252	Power cord
82	DL10001056	Grounding wire
83	DL04001634	Lamp box
84	DL27501160	Lamp board
85	DL04001633	Lamp cover
86	DL04001632	Lamp box bottom
87	DL22001113	Battery
88	DL27501190	Battery holder
89	DL27501191	Battery cover
90	DL00013660	Lamp switch
M1	UGP-9RV-SSO	CO DETECTOR 9RV SSO
M2	QMP-INTERRUPTER BLOCK	INTERRUPTER BLOCK FOR CO-MONITORED FRIDGES
M3	QMP-36" MOSFET	MOSFET ASSY - FOR CO-MONITORED MODELS
ELECTRONIC IGNITION SYSTEM COMPONENTS – NOT SHOWN ON DIAGRAMS		
N/A	DL18301371	Battery Ignitor
N/A	DL22501187	CONNECTION WIRE
N/A	DL18301372	PUSH BUTTON SWITCH
N/A	DL10001418	ELECTRODE
N/A	DL22501138	CONTROL PANEL

UNIQUE - UGP 10C

Item #	Part code	Part name
1	N/A	Cabinet
2	DL27501009	Heat sink
3	DL27501005	Drip tray
4	DL00009088	Drainage hose
5	DL10001155	Drip pan
6	DL22001080	Hinge cover
7	DL00003005	Screw
8	DL10001193	Screw cap
9	DL22001079	Top hinge
10	DL22001074	Top hinge cover
11	DLUGP10CFRED	Freezer door
12	DLUGP10CFRID	Fridge door
13	DL10001020	Washer
14	DL00001191	Screw
15	DL18301079	Middle hinge
16	DL08501152	Washer
17	DL22502213	Bottle rack
18	DL22501145	Freezer balcony
19	DL22502240	Fridge balcony
20	DL10001104	Egg tray
21	DL03001003	Ice tray
22	DL18301133	Bottle holder
23	DL22501047	Crisper
24	DL18301080	Bottom hinge
25	DL08501180	Bottom hinge pin
26	DL00003018	Spring washer
27	DL00003005	Screw
28	DL27501192	Control panel
29	DL27501193	Control label
30	DL00013598	Lamp
31	DL00010053	Foot
32	DL00003068	Screw
33	DL14502072	Castor
34	DL27501061	Top shelf
34-1	DL27501062	Middle shelf
35	DL27501063	Middle shelf
36	DL27501064	Bottom shelf
37	DL22503082	Cooling unit
38	DL27501060	Heater
39	DL00006007	Glass wool

UNIQUE - UGP 10C

Item #	Part code	Part name
40	DL22501136	Insulation cover
41	DL27501007	Baffle
42	DL22502227	Baffle holder
43	DL00004003	Screw
44	DL00009306	Washer
44-1	DL22501185	Connector
44-2	DL10001291	Test valve body
44-3	DL18301172	Screw
44-4	DL18301171	Injector
45	DL10001180	Burner assembly
45-1	DL10001177	Burner bracket
45-2	DL10001179	Burner tube support
46	DL10001142	Burner tube
47	DL18301042	Burner cover
48	DL10001186	Cover window
49	DL10001136	Seal ring
50	DL10001113	Nut
51	DL18301122	Pipe
52	DL18301123	Pipe
53	DL10001267	Gas connector
54	DL00003075	Nut
55	DL10001096	Connector bracket
56	DL18301374	Electrode
57	DL20001077	Piezo ignitor
58	DL18301013	Flame indicator
59	DL18301015	Bracket
60	DL22502241	Balcony spacer
61	DL10001114	Connector
62	DL18301115	Thermostat
63	DL18301029	Nut
64	DL10001115	Connector
65	DL18301005	Safety valve
66	DL22001180	Connector
67	DL10001349	Thermocouple
68	DL18301012	Thermostat bracket
69	DL28801267	Power cord holder
70	DL10001213	Rotary switch
71	DL10001271	Bracket
72	DL18301201	Bracket

UNIQUE - UGP 10C

Item #	Part code	Part name
73	DL18301033	Knob
74	DL10001327	Connection wire
75	DL10001328	Connection wire
76	DL10001350	Connection wire
77	DL27501137	Front bottom
77-1	DL27501138	Rear bottom
78	DL10001116	Connector
79	DL10001145	Spring
80	DL18301034	Button
81	DL10001252	Power cord
82	DL10001056	Grounding wire
83	DL04001634	Lamp box
84	DL27501160	Lamp board
85	DL04001633	Lamp cover
86	DL04001632	Lamp box bottom
87	DL22001113	Battery
88	DL27501190	Battery holder
89	DL27501191	Battery cover
90	DL00013660	Lamp switch
M1	UGP-9RV-SSO	CO DETECTOR 9RV SSO
M2	QMP-INTERRUPTER BLOCK	INTERRUPTER BLOCK FOR CO-MONITORED FRIDGES
M3	QMP-36" MOSFET	MOSFET ASSY - FOR CO-MONITORED MODELS
ELECTRONIC IGNITION SYSTEM COMPONENTS – NOT SHOWN ON DIAGRAMS		
N/A	DL18301371	Battery Ignitor
N/A	DL22501187	CONNECTION WIRE
N/A	DL18301372	PUSH BUTTON SWITCH
N/A	DL10001418	ELECTRODE
N/A	DL22501138	CONTROL PANEL