

**MASTERPIECE**  
36" DOWNDRAFT  
UCVM36FS

**Thermador**® | *An American Icon*®

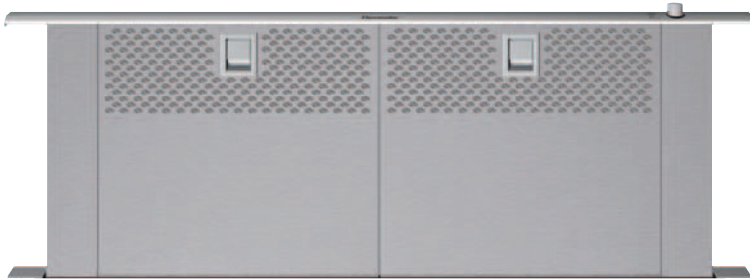
#### FEATURES & BENEFITS

Choose from external, inline or integrated blowers.

Classic design matches Thermador's Masterpiece™ Series family of kitchen appliances.

Three power levels offer a full range of ventilation options and the controls are easy to use.

The filter raises 14" to capture steam from even the tallest pots.



---

1 800 735 4328 | [WWW.THERMADOR.COM](http://WWW.THERMADOR.COM) | 5551 MCFADDEN AVENUE, HUNTINGTON BEACH, CA 92649

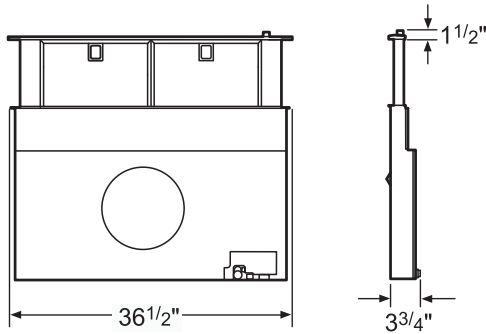
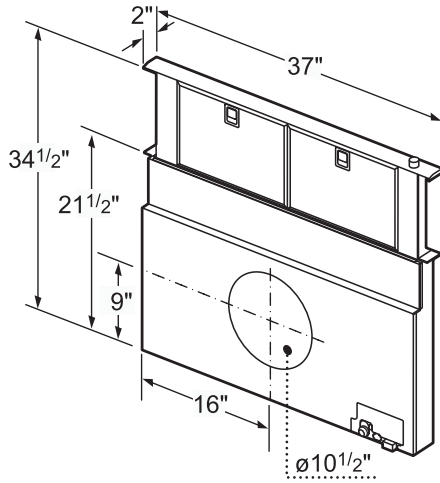
©2008 BSH HOME APPLIANCES CORPORATION, ALL RIGHTS RESERVED

LITHO DATE: 05/2008



**MASTERPIECE**  
36" DOWNDRAFT  
UCVM36FS

**Thermador** | *An American Icon*



<b>SKU</b>	<b>UCVM36FS</b>
Available Sizes (Width)	30", 36"
Downdraft Dimensions	36 1/2" W x 34 1/2"H x 3 3/4" D
Color / Finish	Brushed Stainless Steel
Installation Type	Wall or Island behind Cooktop
Blower Type	Purchased Separately

**HOOD INFORMATION**

Duct Size At Discharge	6" Round
Ducting Direction	Down, Left, or Right
Filter Type	Full-face Mesh
Number of Dishwasher Safe Filters	2
Recirculation Kit	Kit Sold Separately (RECIRC36DF)
Control Type	Mechanical Button Control
Fan Speeds	3
Recommended for these Thermador Cooktops and Ranges	Non-professional gas, electric, or induction cooktops

**MOTOR INFORMATION**

Required Power Supply	15 Amps (min) 120 VAC, 60 Hz
-----------------------	------------------------------

**BLOWER OPTIONS**  
(purchased separately)

<b>Remote</b> (Wall or Roof mounting) (Transition CV2T6 required)	
VTR630D – 600 CFM, 6" Duct Inlet	14 3/8"W x 19"H x 10 3/4"D
VTR1030D – 1000 CFM, 10" Duct Inlet	19 7/8" W x 20 3/4"H x 12 1/8" D
<b>Inline</b> (Transition CV2T6 required)	
VTI610D – 600 CFM, 6" Duct Inlet	14 1/2"W x 12 3/4"H x 9 7/8" D
VTI1010D – 1000 CFM, 10" Duct Inlet	19 1/8" W x 14 3/8"H x 12" D
<b>Integrated</b>	
VTN600CV2C	15 1/8"W x 14 3/8"H x 6 3/4"D

**BLOWER INSTALLATION ACCESSORIES**

Roof Plate – Required for roof mount of remote blowers	RFPLT600 – 600 CFM Blowers, RFPTL1000 – 1000CFM & 1300CFM Blowers
Transition for Remote or Inline blowers: CV2T6	15 1/8"W x 14 3/8"H x 6 3/4"D

