

INSTALLATION  
INSTRUCTIONS

INSTRUCTIONS  
D'INSTALLATION

INSTRUCCIONES  
DE INSTALACIÓN

**T18....**

**T24....**

**T30....**

***Thermador***<sup>®</sup>



<b>INSTALLATION INSTRUCTIONS .....</b>	<b>4</b>
<b>INSTRUCTIONS D'INSTALLATION .....</b>	<b>34</b>
<b>INSTRUCCIONES DE INSTALACIÓN .....</b>	<b>64</b>

# Table of Contents


<b>IMPORTANT SAFETY INSTRUCTIONS .....</b>	<b>5</b>
<b>Installation options .....</b>	<b>6</b>
Individual appliance .....	6
Side-by-Side .....	6
Individual appliances with partition .....	6
Individual appliance at the end of the kitchen .....	6
<b>Installation .....</b>	<b>7</b>
Installation room.....	7
Stable installation .....	7
Installation enclosure .....	7
Furniture .....	7
Floor .....	7
Aligning the appliance .....	7
<b>Connecting the power .....</b>	<b>8</b>
Grounding instruction .....	8
Additional grounding procedure .....	8
<b>Connecting the water .....</b>	<b>8</b>
<b>Installation dimensions .....</b>	<b>9</b>
<b>Required accessories and tools .....</b>	<b>10</b>
Supplied accessories .....	10
Optional accessories .....	10
Other required accessories .....	10
Other .....	10
Tools .....	10
<b>Installation instructions .....</b>	<b>11</b>
1. Checking the installation enclosure .....	11
2. Removing the packaging .....	11
3. Transport of the appliance .....	12
4. Installation preparation .....	12
5. Special installation .....	12

<b>A</b>	1. Attaching the anti-tip-brackets .....	13
	2. Attaching an alternative anti-tip-device .....	14
	3. Attaching an edge protection .....	14
	4. Attaching the fastening sheets (lateral) .....	14
	5. Pushing the appliance into the installation enclosure .....	15

<b>B</b>	1. Aligning the appliance in the installation enclosure .....	16
	2. Attaching the appliance to the installation enclosure .....	16

<b>C</b>	1. Attaching the toe kick panel .....	18
	2. Aligning the base panel .....	18
	3. Switching the appliance ON .....	19
	4. Preparing the door panels .....	19
	5. Loading the appliance door .....	19
	6. Removing the installation support part .....	19
	7. Attaching the adjusting rail to the door panel .....	20
	8. Attaching the fixation strips to the door panel .....	20
	9. Attaching the door panel .....	21
	10. Attaching the lower bracket .....	22
	11. Attaching the strips .....	23
	12. Adjusting the door spring .....	23

## Special installation ..... 24

	Changing over the door hinges .....	24
	Removing/changing over the sealing mat .....	27
	Side-by-Side installation .....	27
	Preparing to connect the water .....	30
	Connecting the water to the appliance .....	31
	Aligning the ice-water dispenser .....	31
Attaching the cover strips .....	32	
Adjusting the door opening angle .....	33	

---

## IMPORTANT SAFETY INSTRUCTIONS

### WARNING

These appliances are top-heavy and must be secured to prevent the possibility of tipping forward.

Anti-tip protection is required.

Keep doors closed until the appliance is completely installed and secured per installation instructions.

Due to the weight and size of this appliance, and to reduce the risk of personal injury or damage to the product – TWO PEOPLE ARE REQUIRED FOR PROPER INSTALLATION.

This appliance must be properly grounded. See the section on “Connecting the power”.

Use this appliance only for its intended purpose.

Immediately repair or replace electric service cords that become frayed or damaged.

Unplug the appliance or switch off the fuse before cleaning or making repairs.

Repairs should be made by a qualified service technician.

### NOTE

Installation of this appliance requires basic mechanical, carpentry and plumbing skills.

Proper installation is the responsibility of the installer.

Product failure due to improper installation is not covered under the Appliance Warranty.

See the Owner's Manual for warranty information.

### IMPORTANT

Save these instructions for local inspector's use. Observe all governing codes and ordinances.

**Note to Installer** – Be sure to leave these instructions with the Consumer.

**Note to Consumer** – Keep these instructions with your Owner's Manual for future reference.

### General

These installation instructions are intended for use by qualified installers. All connections for water, electrical power and grounding must comply with local codes and ordinances and be made by licensed personnel when required. In the absence of a local code:

- In the U.S.A., in accordance with the National Electric Code, ANSI/NFPA70 – latest edition/State and Municipal codes and/or local codes.
- In Canada, in accordance with the Canadian Electric Code C22.1 – latest edition/Provincial and Municipal codes and/or local codes.

### Definitions

#### WARNING:

This indicates that death or serious injuries may occur as a result of not observing this warning.

#### CAUTION:

This indicates that minor or moderate injuries or damage may occur as a result of not observing this warning.

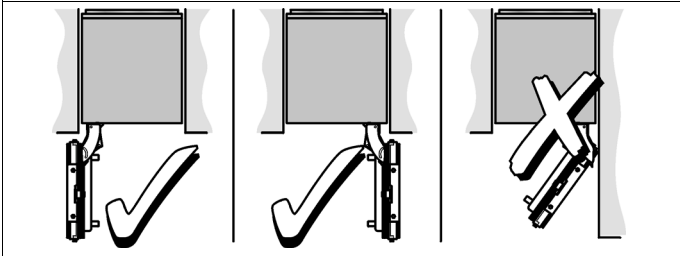
#### Note:

This is used to draw the user's attention to something in particular.

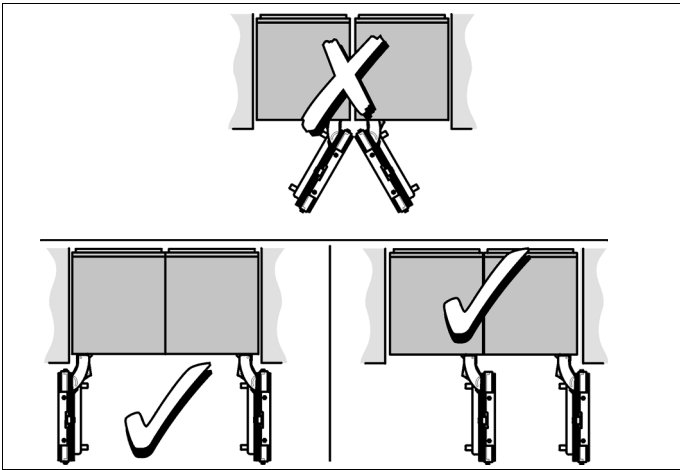
## Installation options

There are many different installation options. These are limited only by the design of the kitchen. See also "Kitchen Design Quick Reference".

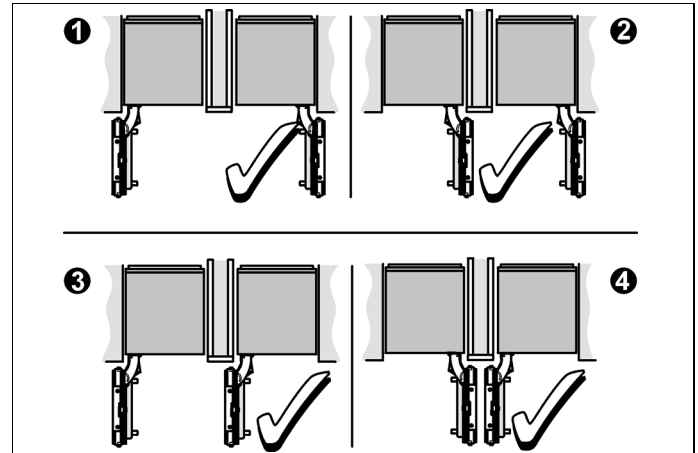
### Individual appliance



### Side-by-Side



### Individual appliances with partition



- When dimensioning the partition for model 4, note the thickness of the door panels to prevent damage if the doors are opened at the same time.
- Use the Heater Kit for Side-by-Side Installation if the gap between the appliances is less than 6" (160 mm).  
See the section on "Required accessories and tools/Optional accessories".
- Minimum thickness of the partition  $\frac{5}{8}$ " (16 mm).

### Individual appliance at the end of the kitchen

If one side of the appliance is visible, a side panel must be used.

The side panel must be connected firmly to the wall, the floor and overhead cabinet/fixtures before the appliance is placed in the installation enclosure.

The dimensions of the side panel are taken from the opposite installation enclosure wall. During installation ensure that the installation enclosure is square and the proper size.

## Installation

### **WARNING:**

Do not install the appliance:

- outdoors,
- in an environment with dripping water,
- in rooms which are less than 32 °F (0 °C).

Appliance is very heavy:

Refrigerator 24"	approx. 310 lbs/140 kg
Refrigerator 30"	approx. 350 lbs/158 kg
Freezer 18"	approx. 255 lbs/115 kg*
Freezer 24"	approx. 300 lbs/135 kg*
Freezer 30"	approx. 335 lbs/150 kg*
Wine unit 18"	"approx. 300 lbs/135 kg
Wine unit 24"	"approx. 360 lbs/160 kg

(\* without Water Dispenser)

### Installation room

The appliance should be installed in a dry, ventilated room.

The ambient temperature should not drop below 55 °F (13 °C) or rise above 110 °F (43 °C), otherwise malfunctions may occur.

The installation location should not be exposed to direct sunlight and not placed near a heat source, such as an oven, radiator, etc. If installation next to a heat source is unavoidable, use a suitable insulating plate or observe the following minimum distances from the heat source:

- 1 1/4" (30 mm) from an electric range,
- 12" (300 mm) from a gas range.

### Stable installation

The appliance is very heavy and has a tendency to tilt forwards when the appliance door is opened. Do not open the door until there is no possibility of the appliance tilting over.

The safest method of installing the appliance in a stable position is to use the supplied anti-tip devices.

If the installation enclosure is adequately stable and the appliance can be attached securely to the upper and side walls of the installation enclosure, this may provide additional stability. A prerequisite for this is always a firm connection between the installation enclosure and back wall!

If in doubt, contact an architect or a building expert.

### Installation enclosure

#### Note:

It is strongly recommended the top panel of the niche be of solid material at least 5/8" (16 mm) thickness. If, for some reasons, a separate niche cabinet is created, make sure that the furniture return area is at least 4" deep.

It is important to observe the specified dimensions of the installation enclosure for a trouble-free installation of the appliance.

In particular ensure that the installation enclosure is square.

Squareness can be checked by suitable means, e.g. level, diagonal measurements, etc.

### Furniture

The new appliance must be screwed securely to adjacent and overhead furniture.

For this reason it is essential that all attachable furniture are connected securely to the floor or the wall by suitable means.

### Floor

#### **WARNING:**

A fully-loaded appliance is very heavy – for the loadbearing capacity minimum see the following:

Refrigerator 24"	approx. 890 lbs/400 kg
Refrigerator 30"	approx. 1110 lbs/500 kg
Freezer 18"	approx. 560 lbs/250 kg*
Freezer 24"	approx. 780 lbs/350 kg*
Freezer 30"	approx. 950 lbs/425 kg*
Wine unit 18"	approx. 550 lbs/245 kg
Wine unit 24"	approx. 694 lbs/310 kg

(\* without Water Dispenser)

To ensure that the appliance is installed securely and functions properly, the floor must be flat and level.

The floor must be made of a hard, rigid material.

The floor in the installation area must be at the same level as the rest of the room (no step up or down).

On account of the heavy weight of a fully loaded appliance, a load-bearing floor is required. If in doubt, contact an architect or a building expert.

### Aligning the appliance

To ensure that the appliance functions correctly, it must be levelled properly.

If the appliance is not level, water may flow out of the ice maker, ice cubes may be irregular or the doors may not close properly.

---

## Connecting the power

### **WARNING:**

#### **Electrical Shock Hazard**

- Plug into a grounded 3 prong outlet.
- Do not remove ground prong.
- Do not use an adapter.
- Do not use an extension cord.

Failure to follow these instructions can result in death, fire, or electrical shock.

Follow all state and local codes or NEC.

The appliance comes with a UL listed 3 wire power supply cord.

The appliance requires a 3-wire receptacle.

The receptacle must be installed by a licensed electrician only.

The receptacle must be a 15 A breaker or fuse.

<b>Appliance</b>	<b>Maximal load at one time</b>
Refrigerator 24"	2.0 Ampere
Refrigerator 30"	2.0 Ampere
Freezer 18" (incl. IceMaker)	3.5 Ampere
Freezer 24" (incl. IceMaker)	4.0 Ampere
Freezer 30" (incl. IceMaker)	4.5 Ampere
Wine unit 18"	2.0 Ampere
Wine unit 24"	2.0 Ampere

For the installation position of the receptacle see "Installation dimensions".

## Grounding instruction

This appliance must be grounded. In the event of a malfunction or breakdown, grounding will reduce the risk of electric shock by providing a path of least resistance for the electric current.

### **WARNING:**

Improper connection of the equipment grounding conductor may result in electric shock. Have the appliance checked by a qualified electrician or service technician if you are in doubt as to whether the appliance has been properly grounded.

## Additional grounding procedure

Some local regulations may require a separate ground. In such cases, the required ground wire, clamp and screw are available as a separate accessory and must be purchased separately.

Never ground the appliance to plastic plumbing lines, gas lines or water pipes.

---

## Connecting the water

### **CAUTION:**

Only connect the appliance to drinking water!

A cold water connection is required for operation of the automatic ice maker. The water pressure must be between 25 and 120 psi. (1.72–8.25 bar). The installation must comply with local plumbing regulations.

A separate shut-off valve must be installed for the appliance water connection.

Do not use a self-piercing valve!

The shut-off valve for the water connection must not be behind the appliance. It is recommended to place the shut-off valve directly next to the appliance or in another easily accessible location.

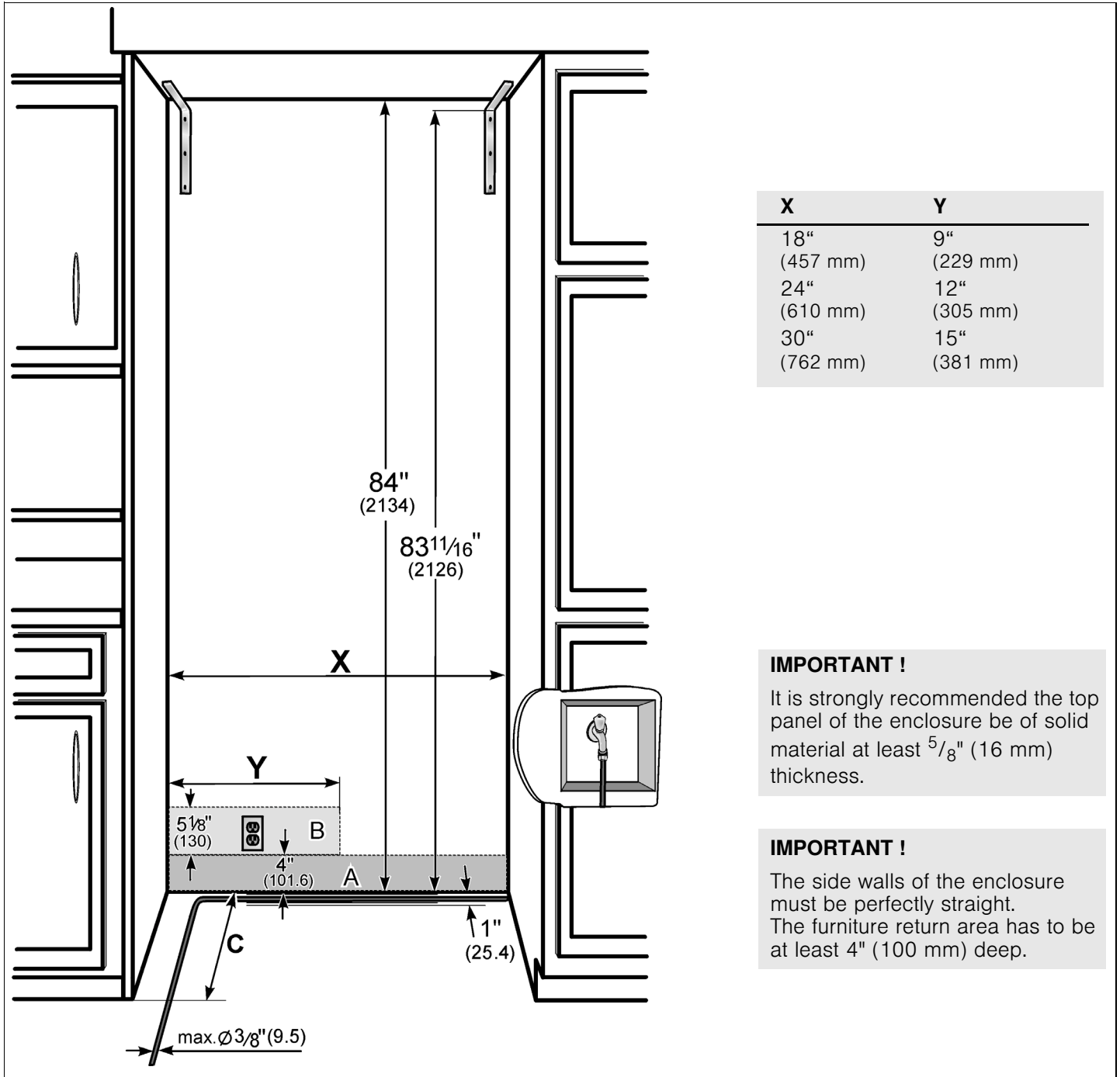
When installing the water connection, observe the permitted installation areas for the pipe. For the permitted installation areas and dimensions see "Installation dimensions".

The supply pipe can be located at the side on the right (a), at the side on the left (b) or underneath (c).

Maximum outer diameter of the water pipe (without fittings):  $\frac{3}{8}$ " (9.5 mm).



## Installation dimensions



### IMPORTANT !

It is strongly recommended the top panel of the enclosure be of solid material at least  $\frac{5}{8}$ " (16 mm) thickness.

### IMPORTANT !

The side walls of the enclosure must be perfectly straight. The furniture return area has to be at least 4" (100 mm) deep.

### Legend:

A Area for installation of the water connection

It is recommended the water-box be placed adjacent to the installation enclosure, so that it can be accessed for service without uninstalling the appliance. If this is not possible, place the recessed water box within the shaded area.

B Area for installation of the power connection

C Opening depth of enclosure, depending on kitchen design

C = 24" (610 mm) minimum

## Required accessories and tools

### Supplied accessories

- Installation instructions
- Operating instructions
- Installation kit

### Optional accessories

#### Sealing Kit for Side-by-Side Installation BSEALKIT10

For permanent connection of two individual appliances, e.g. Freezer next to Refrigerator.

#### Freedom Heater Kit for Side-by-Side Installation XHEATKIT10

If the gap between the appliances is less than 6" (160 mm).

#### Panel unification part (Metal strip) FPCONNTS10

For connection of two door panels. Can be used for standard height door panels without further preliminary work.

### Other required accessories

#### Ice maker installation kit $\frac{1}{4}$ " OD copper line

For connecting appliances which require water, e.g. for an ice maker.

Maximum outer diameter of the water pipe (without fittings):  $\frac{13}{32}$ " (10 mm).


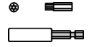

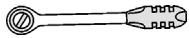
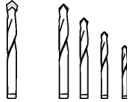
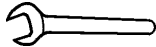



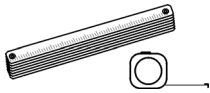


### Other

- Stepladder
- Dolly, hand truck
- Hammer drill for drilling holes in wall or floor
- Bits according suitable for material and in different sizes
- Wooden beam (cross section min. 3" x 4") as an alternative tip protection, length according to the width of the installation enclosure
- Wooden screws in different sizes
- Thin plywood sheet, particle board or cardboard to protect the floor from damage
- Suitable material for covering and protecting furniture (e.g. protective sheets)
- Adhesive tape

#### Note:

Before using, check whether the removed adhesive tape leaves adhesive residue on the work surfaces! Otherwise do not use on high-quality work surfaces.

### Tools

	Cordless screwdriver
	Torx bit T20 + magnetic holder
	Torx screwdriver T20
	$\frac{5}{16}$ " (8 mm) hex nut driver
	Wood drills in different sizes
	Open end wrench $\frac{1}{2}$ " (SW 13 mm)
	Multigrip pliers
	Adjustable wrench
	Cutter with adjustable blade
	Metal tape measure, folding rule
	Square
	Level, length 2' (60 cm) and 4' (1,2 m)

## Installation instructions

The following installation instructions describe the installation steps for various appliance types:

- Refrigerator units
- Freezer units
- Freezer units with ice maker
- Freezer units with ice-water dispenser
- Wine storage units

Therefore the diagrams may be a general representation of your appliance.

Particular reference is made to special installation steps for individual appliance types.

### 1. Checking the installation enclosure

#### **CAUTION:**

Use the following check list for a safe and trouble free installation.

1. Check the floor.  
See section on "Installation/Floor".
2. Check the dimensions of the installation enclosure, see "Installation dimensions".
3. Check that the installation enclosure is square.
4. Check location of the socket.  
See section on "Connecting the power" and in the section on "Installation dimensions".
5. Check location of the water connection (only for appliances with ice maker).  
See section on "Connecting the water" and in the section on "Installation dimensions".
6. Check attachment of the adjacent cabinet/fixtures. All cabinet parts in the vicinity of the appliance must be connected securely to the wall.
7. Check that adjacent cabinet/fixtures have adequate clearance (door opening angle).

### 2. Removing the packaging

#### **WARNING:**

Be careful, otherwise people who are helping may be injured or the appliance may be damaged!

- The appliance may tip over while it is being unpacked or if the doors are opened.
- The appliance is very heavy.

#### **Note:**

Check appliance for damage in transit.

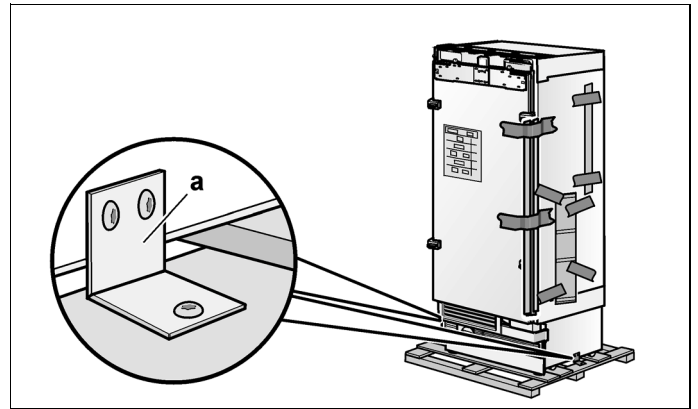
Do not install the appliance if it is visibly damaged. If in doubt, contact your dealer.

To avoid floor damage:

1. Remove the packaging carton and be careful not to damage the surface of appliance.
2. Place packaging cardboard or plywood under the appliance.
3. Remove accessories from the outside of the appliance.

Save adhesive tape which was used to attach the supplied accessories to the appliance. It can be used subsequently for attaching an edge protection to the installation enclosure walls (see section on "A / 3. Attaching an edge protection").

4. Remove transportation protection devices (a) and lift appliance off the pallet – appliance is very heavy!



5. Carefully open the appliance – risk of tipping over – and remove accessories and installation materials from inside the appliance. Close the door again.

#### **Note:**

Do not remove transportation safety devices which protect the shelves and storage compartments inside the appliance until the installation is complete, otherwise the parts may be damaged.

### 3. Transport of the appliance

#### ⚠ WARNING:

Be careful, otherwise people who are helping may be injured or the appliance may be damaged.

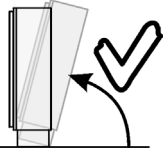
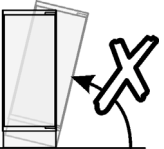
The appliance is very heavy.

The appliance is 83 1/8" (2126 mm) tall. If the appliance cannot be transported in an upright position, the appliance can be transported horizontally.

#### Note:

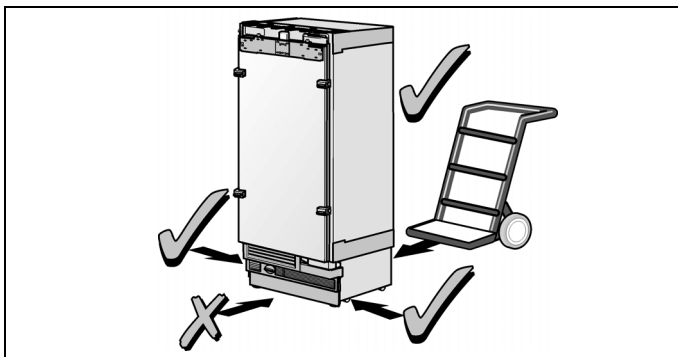
Do not raise up the appliance via the side panels. Risk of damage to the appliance!

When raising up the appliance, observe the required minimum height at the installation location according to the following table:

Raise up via appliance rear	Do not raise up from appliance side
	
Minimum height 86"/2185 mm	Do not raise up the appliance via the side panels!

#### Note:

Always use the appliance dolly from the rear side of the appliance. Never push it in from the front under the appliance. Risk of damage to the appliance!

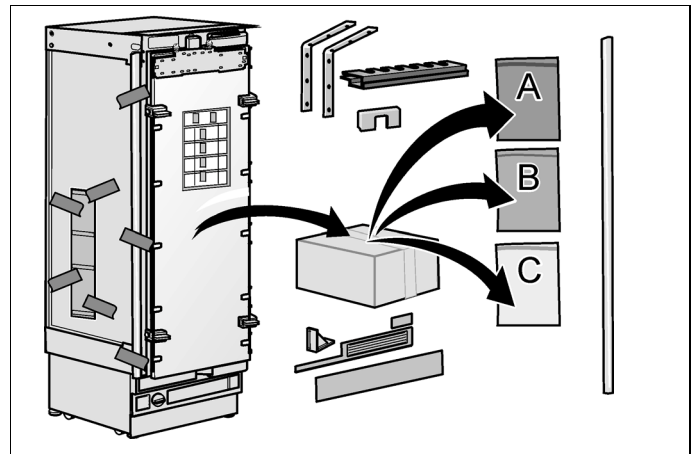


1. Transport the appliance to a suitable installation location with suitable means of transportation (trolley, lifting truck or hand).
2. Secure the appliance during transportation to prevent it from tipping.

### 4. Installation preparation

Unpack installation materials and accessories.

To simplify installation, the packages are identified with labels A, B and C corresponding with the manual sections.



### 5. Special installation

This symbol indicates that additional steps need to be taken before proceeding to the next chapter.

Special installation steps are described after section C.



- Change over door hinge, see "Changing over the door hinges".
- Sealing mat, see "Removing/ changing over the sealing mat"
- Side-by-Side installation, see "Side-by-Side installation".
- Connecting the water, see "Preparing to connect the water" an "Connecting the water to the appliance".
- Ice-water dispenser, see "Aligning the ice-water dispenser".
- Cover strips for a wine unit, see "Attaching the cover strips"
- Door limitation pin, see "Adjusting the door opening angle".

# 1. Attaching the anti-tip-brackets

**⚠ WARNING:**

Risk of injury and damage!

Assure that there are no electrical wires or plumbing in the area which the screws could penetrate.

**⚠ CAUTION:**

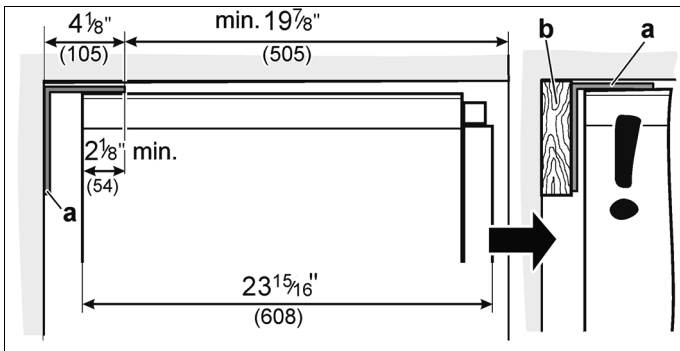
Risk of injury! Always wear safety glasses and other necessary protective devices or apparel when installing or working with dowels.

**Note:**

- 2 anti-tip-brackets are required for each appliance.
- The supplied set contains fastening screws for various applications. Select the fastening screws according to the local conditions.

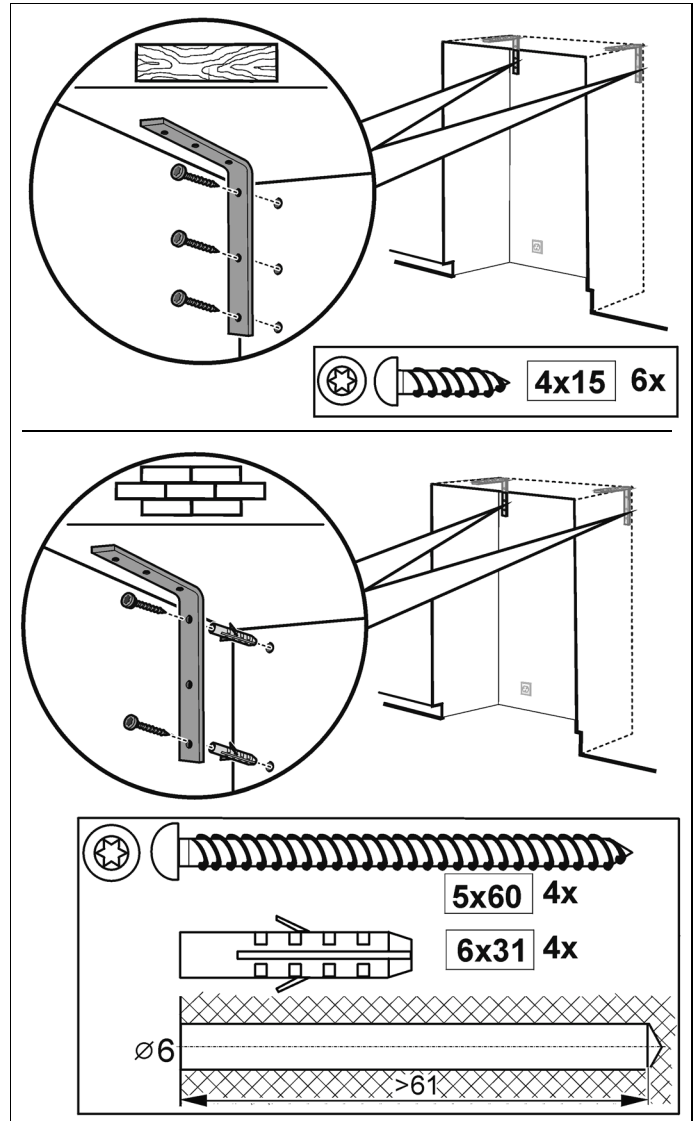
The anti-tip-brackets (a) must overlap a minimum of 2 1/8" (54 mm) over the appliance to secure the appliance.

If this minimum length cannot be observed for structural conditions it is possible to do this by fastening a spacer (b) behind the anti-tip angle, e.g. a sufficiently dimensioned wood board.



The length of the plank should correspond to the width of the installation enclosure!

1. Specify the attachment points of the anti-tip-brackets according to the section on "Installation dimensions".
2. Attach the anti-tip-brackets completely. Be sure screws hold tight.



**Important notes for fastening with dowels and screws:**

Not recommended for use in light-weight masonry material such as cinder block.

Not recommended for use in new concrete which has not had time to cure.

## 2. Attaching an alternative anti-tip device

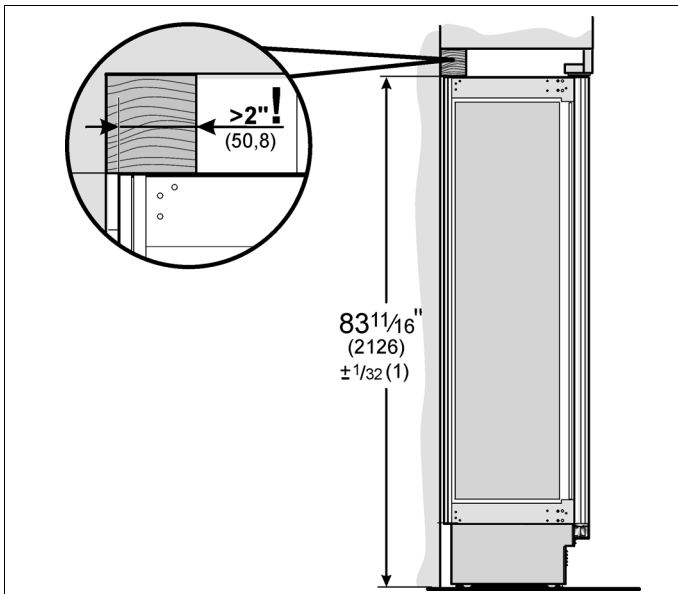
### Important note:

If the anti-tip brackets cannot be attached securely, an alternative anti-tip-device can be attached. However, ensure that there is no play between the appliance and the anti-tip-device. If possible, always screw the wooden beam to existing studs on the rear panel of the installation enclosure.

1. Saw the wooden beam (cross section min. 3" x 4") to the required length. Length is equal to the width of the installation enclosure!

### Note:

- If the installation enclosure is deeper than the appliance, select a beam which has a larger cross section or attach 2 beams.
- The beam must cover the appliance by at least 2" (50.8 mm).



2. Mark the installation height (lower edge of the beam) on the rear panel of the installation enclosure.
3. Select screws according to the thickness of the wooden beam: length = min. 2.5 x beam thickness, diameter #12 or #14.

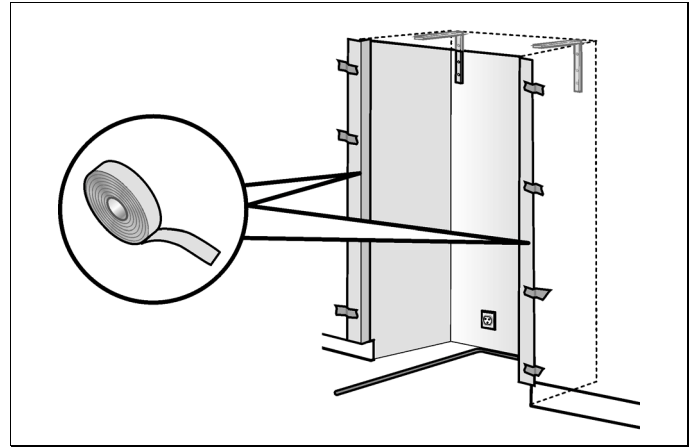
### Note:

Choose the number of screws according to the installation enclosure width, thereby ensuring that the beam can be attached securely.

4. Depending to the subsurface:  
Locate wall studs in the rear of the installation enclosure and accordingly transfer their location to the wooden beam  
or  
fasten suitable dowel into the rear wall.
5. Pre-drill the wooden beam.
6. Attach the wooden beam to the rear panel of the installation enclosure.

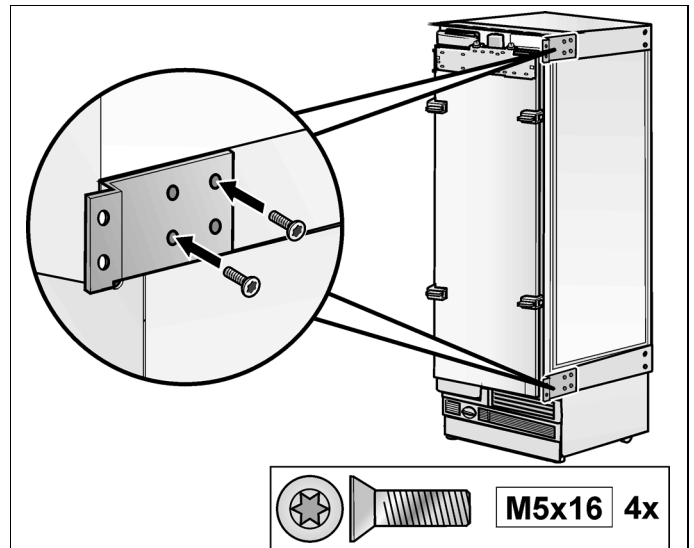
## 3. Attaching an edge protection

To protect the edges of the installation enclosure, it is recommended to attach edge protection made of a suitable material.



## 4. Attaching the fastening sheets (lateral)

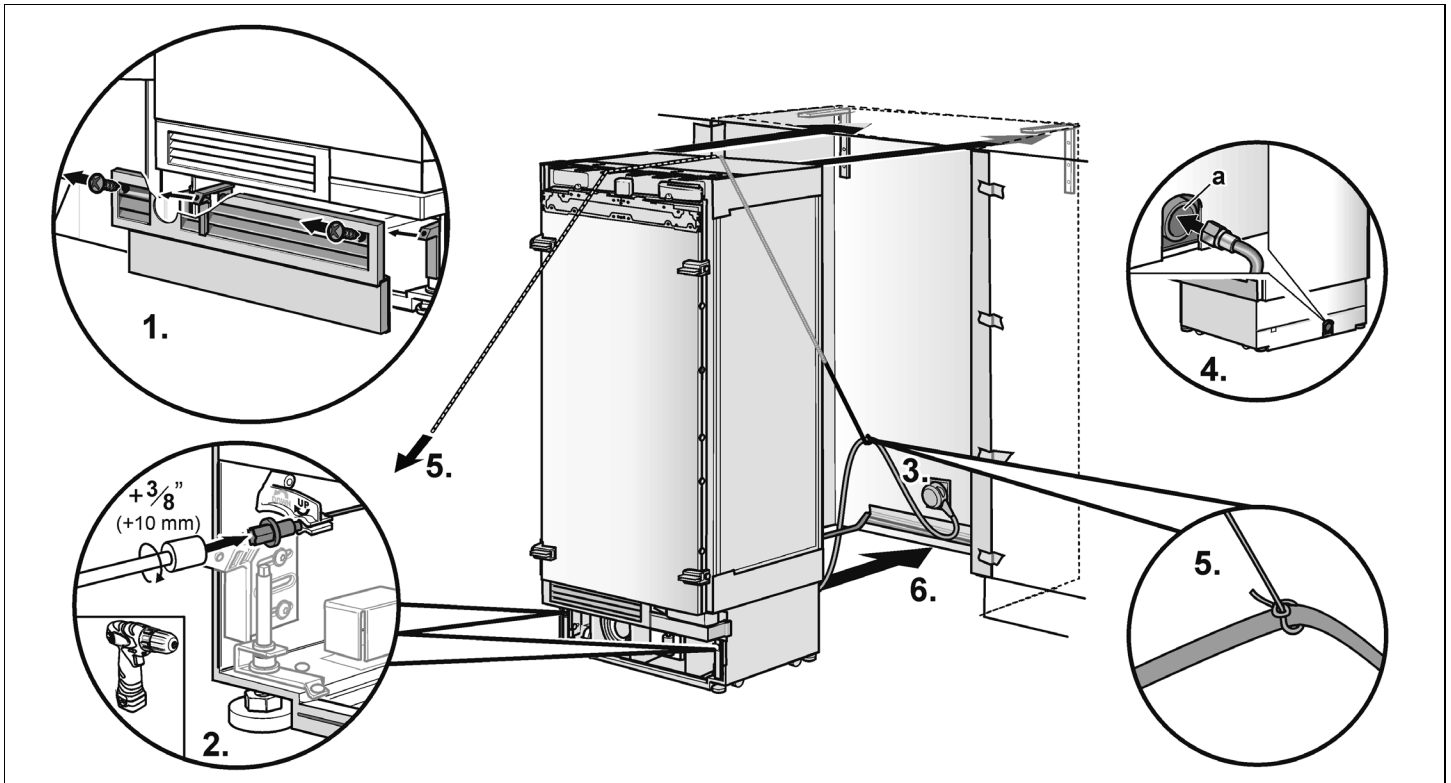
Attach the fastening sheets (lateral) to the appliance.



These are special installation steps. Instructions are provided after section C.

- Change over door hinge, see "Changing over the door hinges".
- Sealing mat, see "Removing/ changing over the sealing mat"
- Side-by-Side installation, see "Side-by-Side installation".
- Connecting the water, see "Preparing to connect the water".

## 5. Pushing the appliance into the installation enclosure



### ⚠ CAUTION:

Caution when pushing the appliance into the installation enclosure. Do not damage the water line or power cord.

### Note:

When the floor or the appliance is not leveled in comparison to the installation enclosure adjust height adjustable wheels before you move the appliance into the installation enclosure.

1. Remove the base panel.
2. Raise the height-adjustable wheels at the back by approx.  $\frac{3}{8}$ " (10 mm).
3. Put the electric plug into the socket.
4. Push the water line into the guard tube (a) at the rear of the appliance.

### ⚠ WARNING:

Be careful, otherwise people who are helping may be injured or the appliance may be damaged.

The appliance may tip over while the water line is pushing into the guard tube.

5. To prevent the power cord from becoming caught, tie a piece of string to the middle of the power cord and feed forwards over the top of the appliance. When pushing in the appliance, pull the cable upwards. Take care not to pinch the power cord.

### or

Using adhesive tape, tape the power cord to the floor centrally behind the appliance approx. 15" (380 mm) away from the rear panel of the installation enclosure.

6. Carefully push the appliance into the installation enclosure.
7. Remove edge protection (if attached).

# 1. Aligning the appliance in the installation enclosure

**B**

**Note:**

- To ensure that the appliance functions correctly, it must be set perfectly levelled.
- Do not twist or jam the appliance inside the installation enclosure! When adjusting the height-adjustable feet, proceed gradually: Always alternate between left and right, etc.
- For easier adjustment of the rear feet take the weight off by slightly tilting the appliance forward.
- Do not bend the appliance against the anti-tip-brackets.

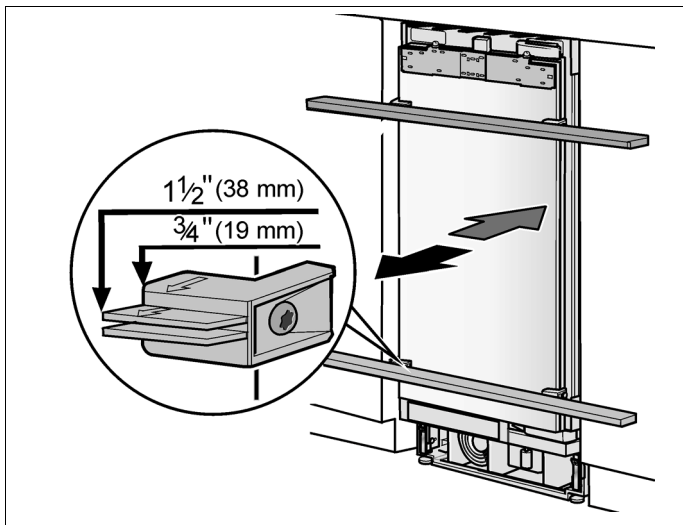
The positioning aid on the door have been designed for the following total thickness of door panels:

- 3/4" (19 mm)
- 1 1/2" (38 mm)

Always take account of the possible differing thickness of the panel fronts which are to be fitted subsequently.

1. Align the appliance with the cabinet fronts using the positioning aid.

Place level over the positioning aid on the door.

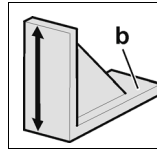


The height-adjustable feet at the front and rear can all be adjusted from the front.

- Front: with open-ended wrench 1/2" (Width across flats 13 mm)
- Rear: with 5/16" (8 mm) hex nut driver via flexible shaft.

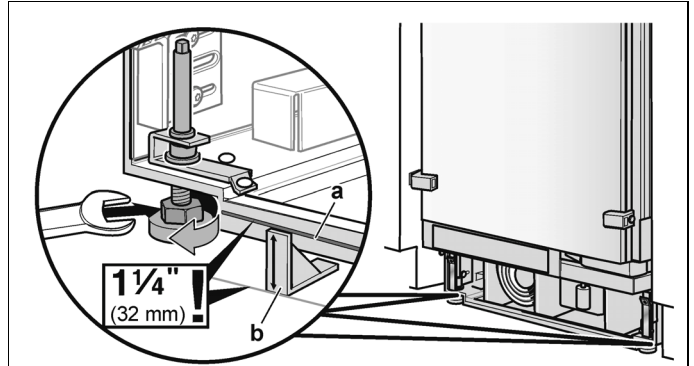
The mark (a) attached at the appliance base is used as a standard gage for height adjustment. When adjusting the height, align this mark at a height of 1 1/2" (32 mm) above the floor.

It is very important to comply with this dimension for the subsequent alignment of the furniture fronts.

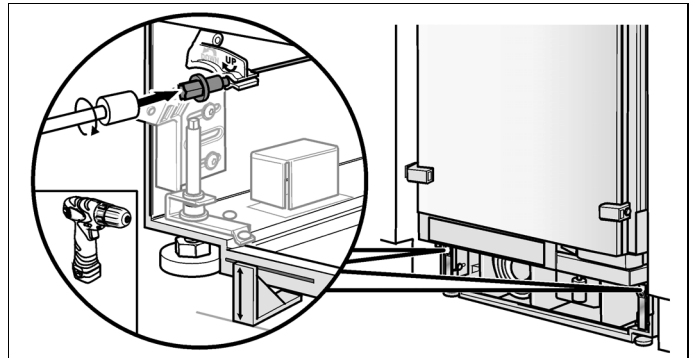


The height adjustment gauge (b) is used to set this height correctly. The upper edge of the gauge must be in alignment with the mark on the appliance.

2. Unscrew the feet at the front of the appliance until the mark (a) on the appliance is in alignment with the upper edge of the height adjustment gauge (b).



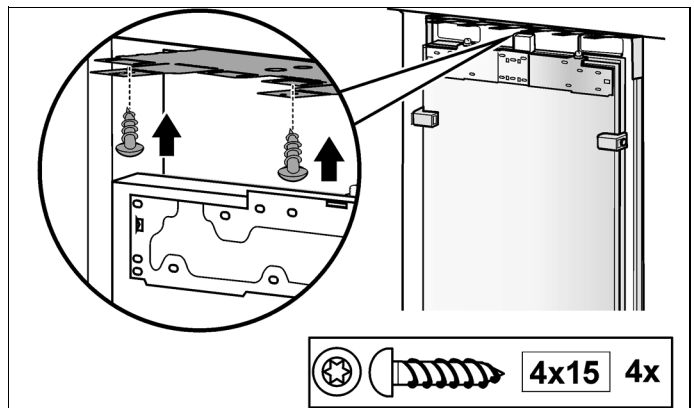
3. Align the appliance vertically using the feet at the back. Use a level!



# 2. Attaching the appliance to the installation enclosure

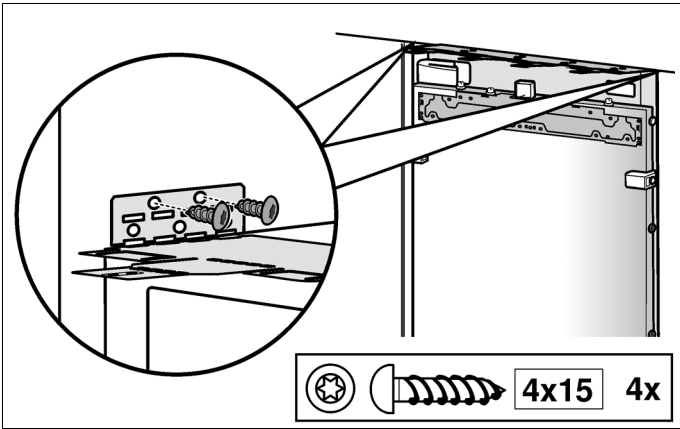
It is essential to attach the appliance to the top of the installation enclosure.

1. Screw the attachment plate lugs (top) to the overhead furniture.
2. If there is a fairly large gap above the appliance, fit a wooden beam above the appliance, ensuring that the wooden beam fits the gap exactly.





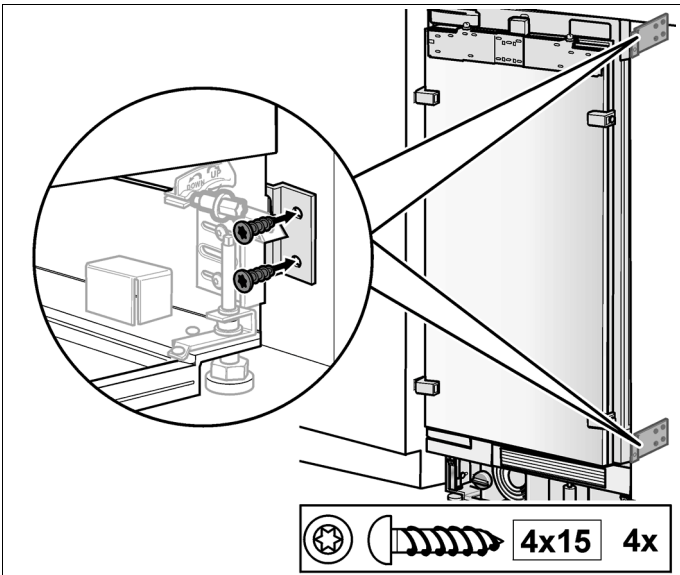
- If there enough room on the top of the appliance fix the attachment plate side lugs (top) to the side of the enclosure.



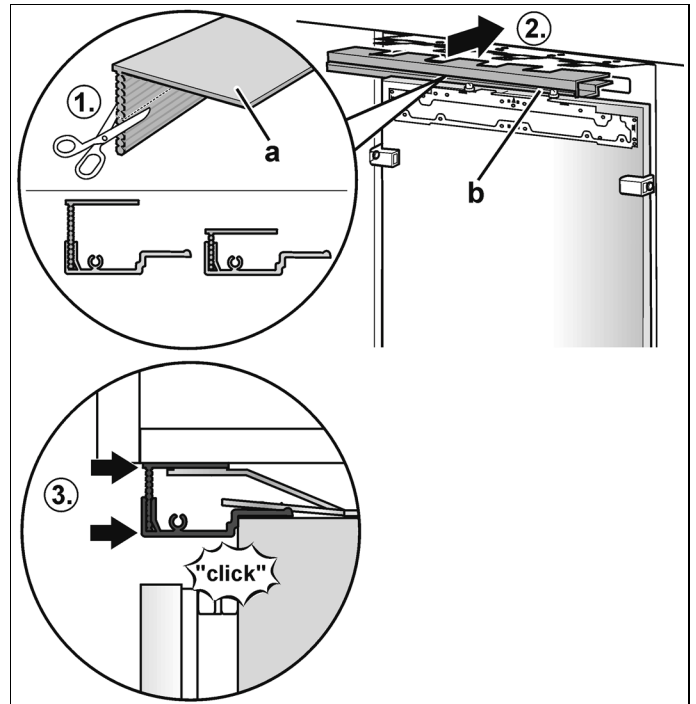
- Screw on the bars of the fastening sheets (lateral) with the cabinet parts located next to them.

**Note:**

In the case of a Side-by-Side installation this installation step is not possible. These parts have been removed.



- Shorten the fitting strip (a) to the required height to fill the gap.
- Press fitting strip (a) into the cover strip.
- Attach the cover strip (b) to the attachment plate (top).



**Note:**

In the case of a side-by-side installation connect both cover rails to the bolt included in the installation accessories for side-by-side installation.



These are special installation steps. Instructions are provided after section C.

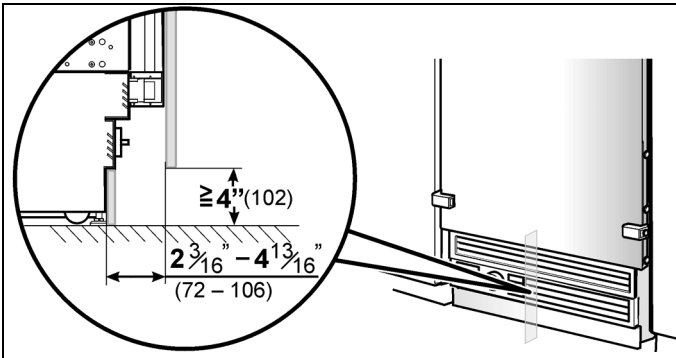
- Connecting the water, see "Connecting the water to the appliance".

## 1. Attaching the toe kick panel

### Note:

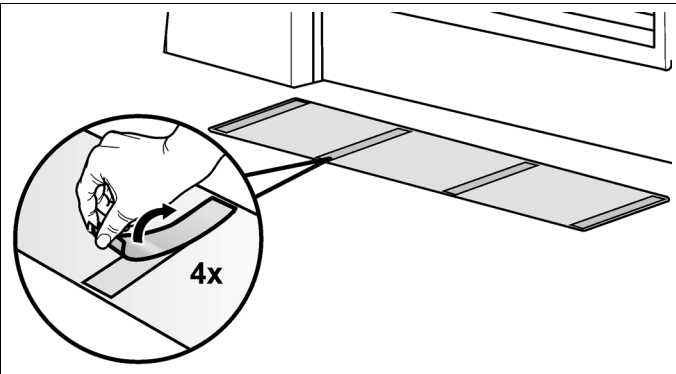
Risk of damage to the appliance. Do not cover ventilation slots in the base panel.

Nominal dimensions to be observed:

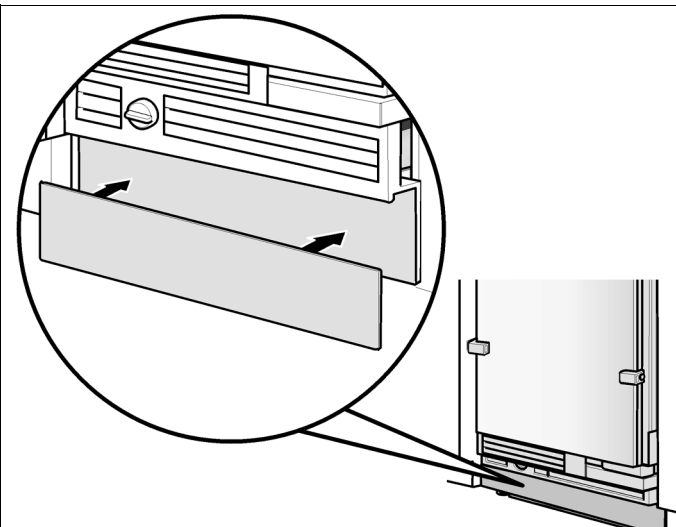


### Stainless steel panel (accessory)

1. Attach the base panel to the appliance (do not screw on).
2. Remove the protective film from the adhesive pads.



3. Fit the toe kick panel to the base panel and press firmly into place.

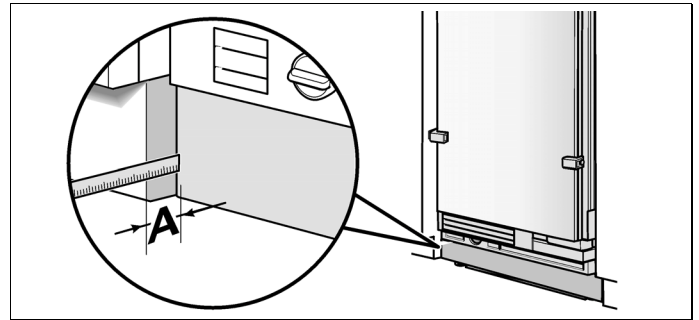


## Wooden panel

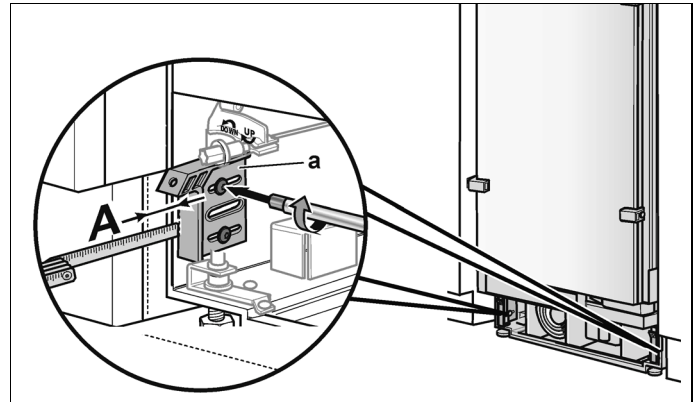
1. If required, shorten wooden panel to the required length.
2. Screw wooden panel to the base panel from behind. There are already screw holes in the base panel.

## 2. Aligning the base panel

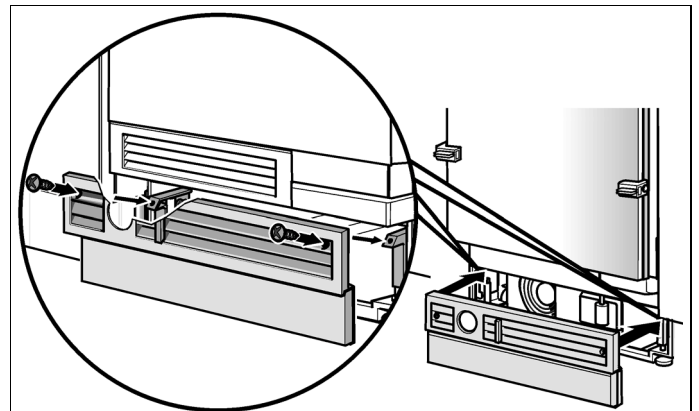
1. Put on the base panel (do not screw on) and measure the difference in depth **A** between the base panel and toe kick panel of the adjacent cabinet.



2. Remove the base panel.
3. Adjust the brackets (a) to the dimensions **A** and tighten.



4. Attach the base panel.



### 3. Switching the appliance ON

To guarantee the accuracy of the following working steps and thus the appearance of the overall kitchen front later on, the appliance should now be operated.

1. Open the appliance door.
2. Press the POWER button.
3. Press the POWER button again to shut off.

#### Only for appliances with a water connection:

In order to avoid the risk of damage caused by leaking water from damage possibly caused to the water pipe feeding the appliance, keep the shut-off valve closed.

### 4. Preparing the door panels

#### Important note:

When performing any work on the door panels, always observe the following:

- Always screw into the best load-bearing material of the door panel.
- Never screw into fillers, decorative strips or similar.
- Select a screw length which is always shorter than the thickness of the door panel.
- To prevent damage, protect surfaces of the door panels during installation.

The total weight of the door panel must not exceed the following values:

- 18" Appliance 44 lbs/20 kg (19 lbs/8.5 kg \*)
- 24" Appliance 55 lbs/25 kg (32 lbs/14.5 kg \*)
- 30" Appliance 64 lbs/29 kg

(\* Wine unit)

In the case of 30" and 36" wide appliances 2 adjacent door panels can be attached instead of one large door. These door panels must be connected to a metal strip on the rear.

This metal strip can be purchased from customer service as an optional accessory, see the section on "Required accessories and tools/Optional accessories".

#### Note:

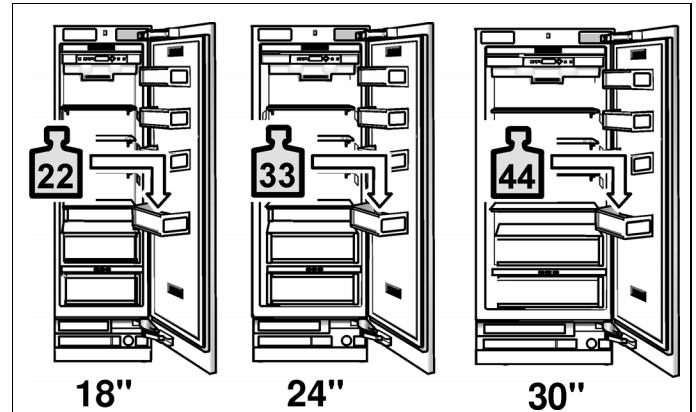
The instructions for carrying out this work step can be found in the separate installation instructions for this accessory.

### 5. Loading the appliance door

When attaching the door panels, it is recommended to load the door storage compartments in the appliance with weights in order to ensure that the gap width is as precise as possible.

Recommendations:

- 18" Appliance: 22 lbs/10 kg
- 24" Appliance: 33 lbs/15 kg
- 30" Appliance: 44 lbs/20 kg

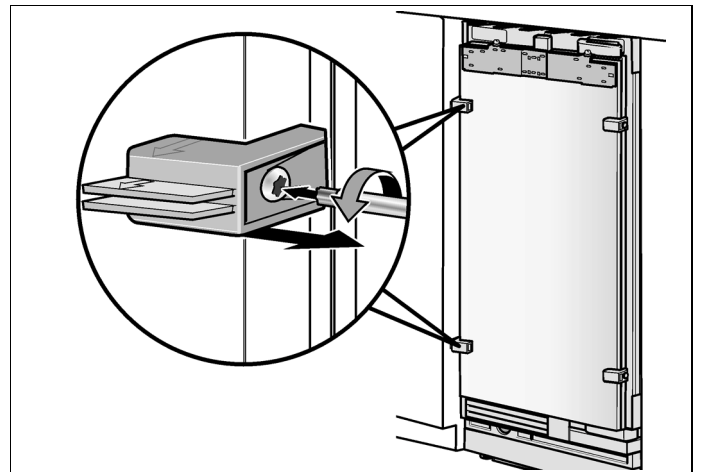


### 6. Removing the installation support part

Unscrew the positioning aid from the appliance door.

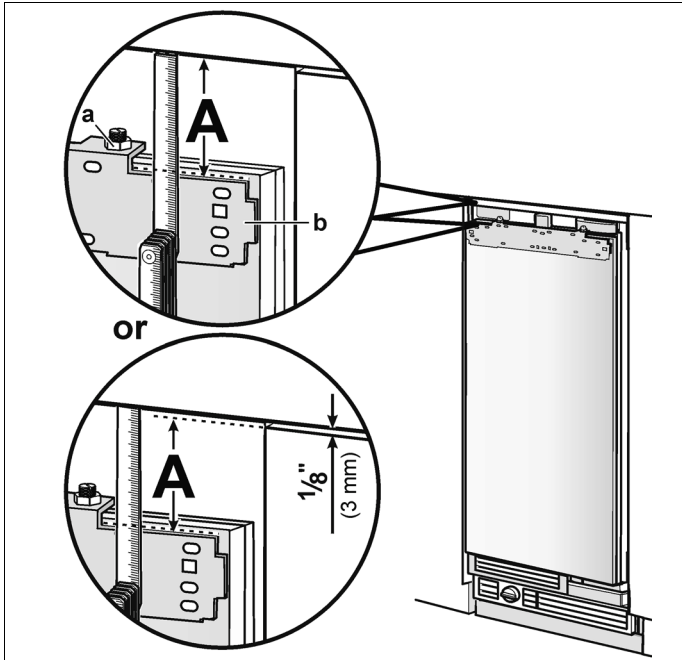
#### Note:

Store the positioning aids, there will be used in an installation step later.

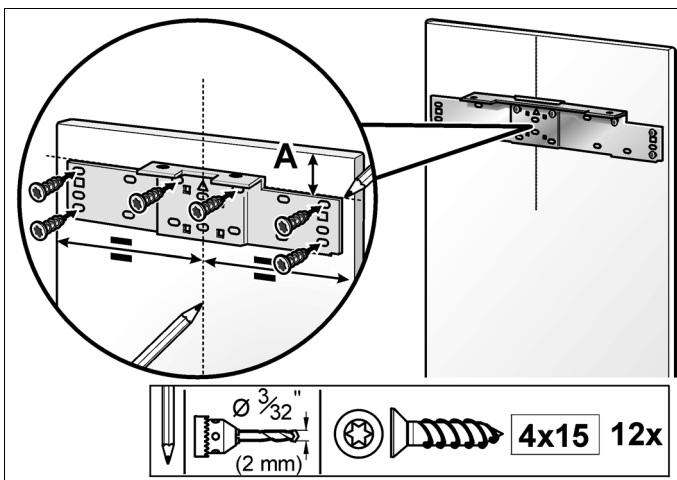


## 7. Attaching the adjusting rail to the door panel

1. Measure the distance **A** between the adjusting rail and the overhead cabinet/fixtures.



2. Loosen the 2 nuts (a) and remove the adjusting rail (b).
3. Mark this amount **A** on the rear of the door panel.
4. Determine and mark the centerline of the door panel.
5. Put on the adjusting rail and align along the marks. Mark the drill holes.
6. Drill the holes.
7. Screw on the adjusting rail tightly.



### Notes:

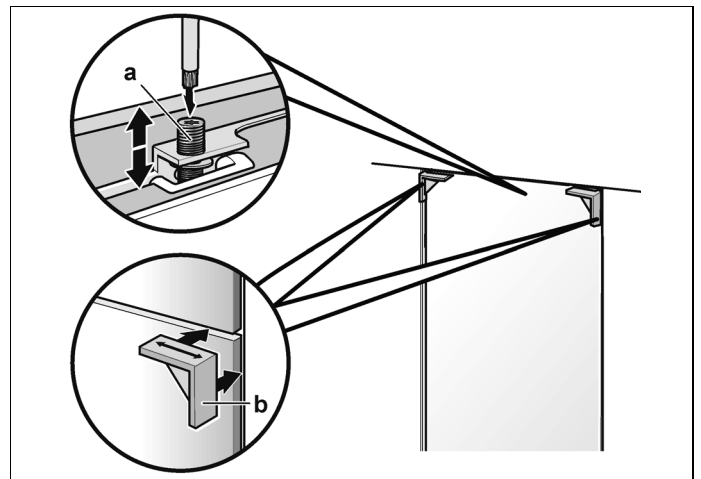
- Attach the adjusting rail to the door panel with at least 10 screws. One screw should be inserted under each double threaded bolt.
- The adjusting rail features a variety of holes for the many different design options of door panels. Always screw into the best load-bearing material of the door panel.

## 8. Attaching the fixation strips to the door panel

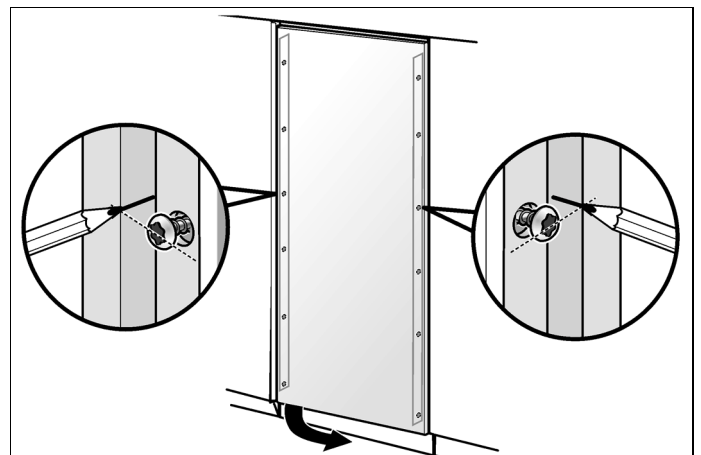
### Note:

The fixation strips are pre-assembled for stainless steel doors. In this case continue with the next installation step ("C / 9. Attaching the door panel").

1. Hang the door panel on the double threaded bolt (a).
2. Align the door panel with the double threaded bolts (Torx screwdriver). Re-examine the dimensions of the gap continuously. Use the height adjustment gauge (b).

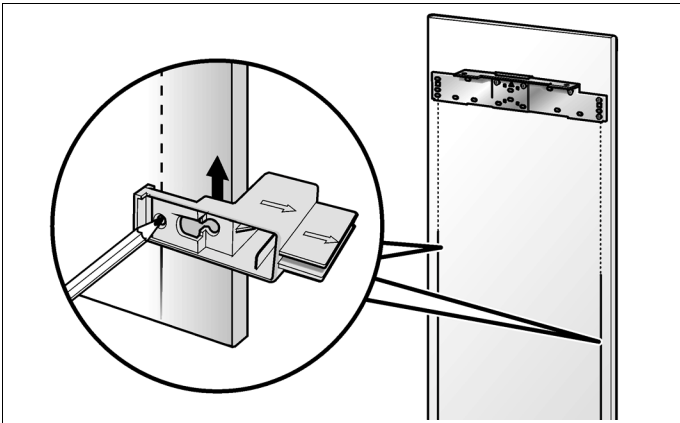


3. Transfer the middle drill holes along the outer edge of the appliance door to the door panel and mark.

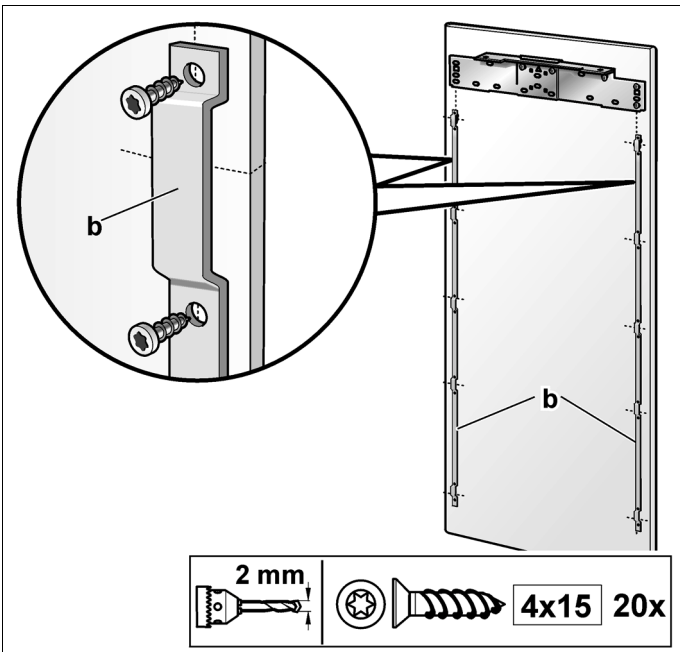


4. Remove the door panel.

- Using the positioning aid, mark the vertical sides of the door panel parallel.



- Using a square, extend the drill hole marks which you have just made to the vertical marks.
- Apply the fixation strip and mark out the holes.
- Pre-drill the holes.
- Screw on the fixation strips.

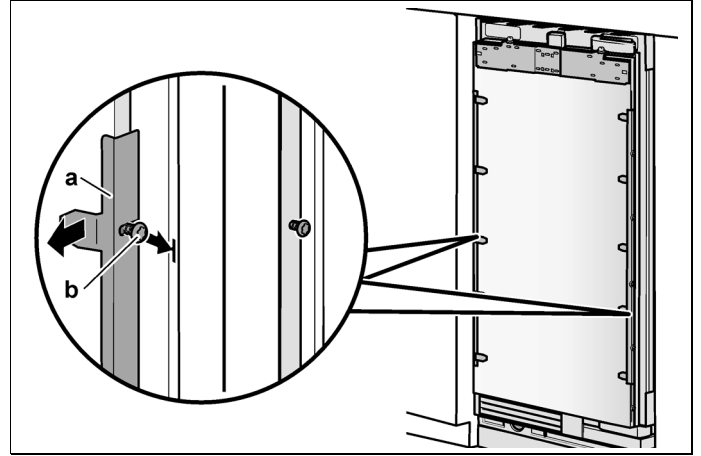


## 9. Attaching the door panel

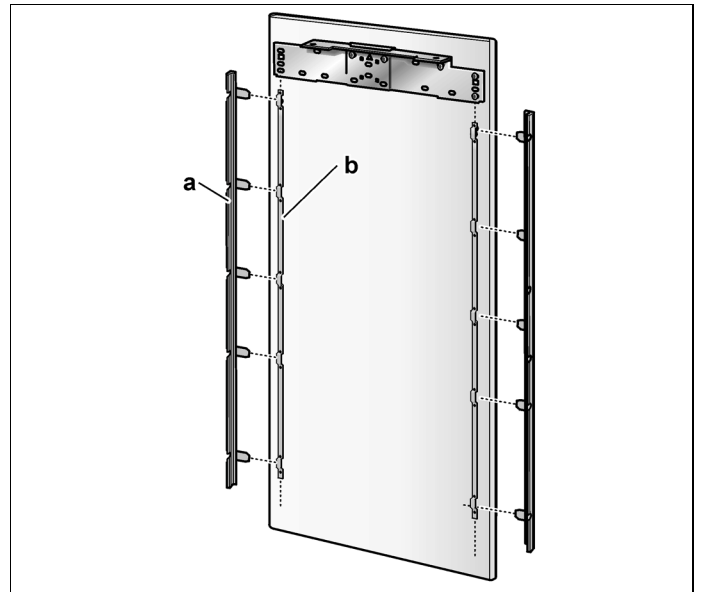
### Note:

Now attach the furniture handles which are screwed from behind!

- Remove the fixing brackets (a) from the appliance door. To do this, loosen the bracket screws (b) only.



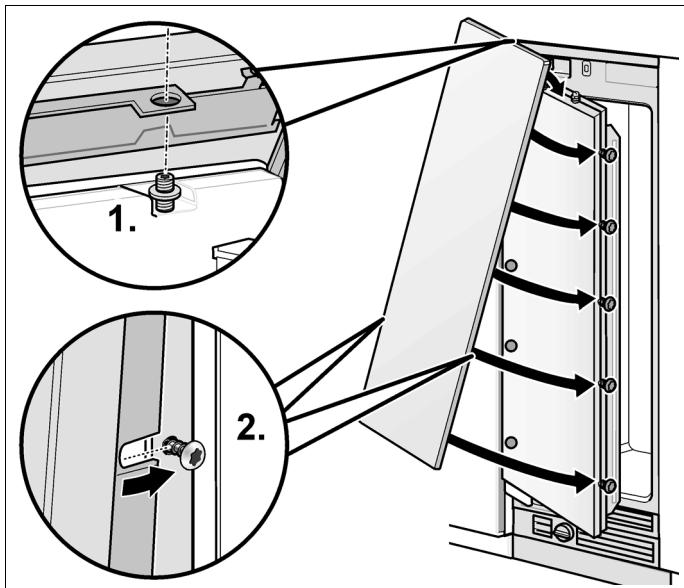
- Insert removed fixing brackets (a) into the adjusting rails (b) on the door panel.



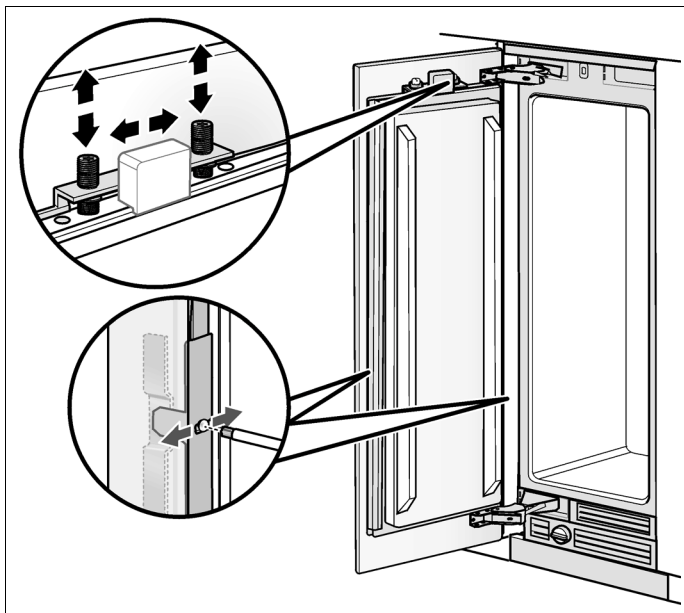
- Open the appliance door.

C

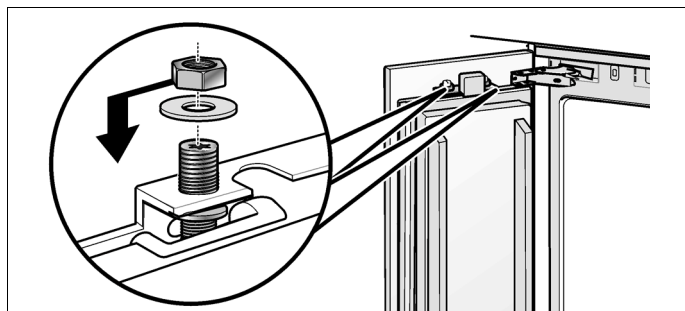
4. Hang the door panel with adjusting rail over the double threaded bolts (1.).
5. Lower door panel and push the fixing brackets down over the fastening screws (2.).



6. Adjust the door panel using the double threaded bolts (Torx screwdriver). Re-examine the dimensions of the gap continuously.
7. Close the door and check that the depth of the door panel is aligned with the adjacent fronts. If required, correct.
8. Tighten the bracket screws to fix the depth alignment.
9. Close the door and check the side alignment. Correct by gently tapping the edge of the open door panel with your hand.



10. Screw nuts onto the double threaded bolts and tighten. This will fix the side alignment of the door.

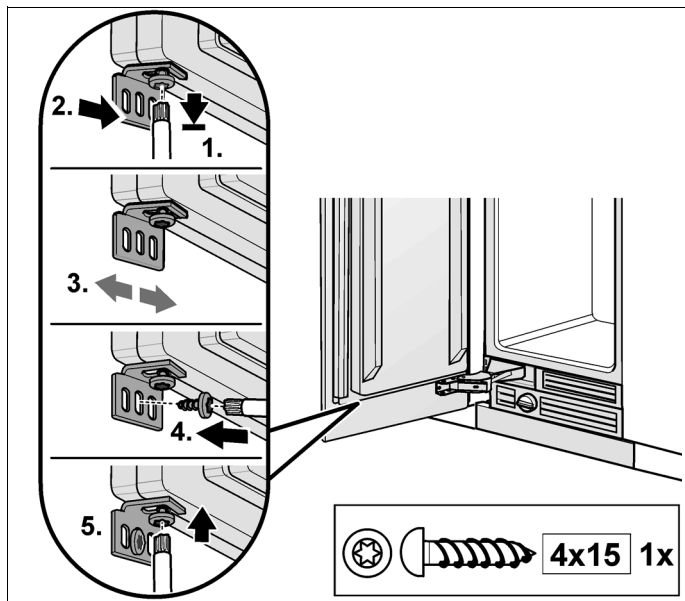


## 10. Attaching the lower bracket

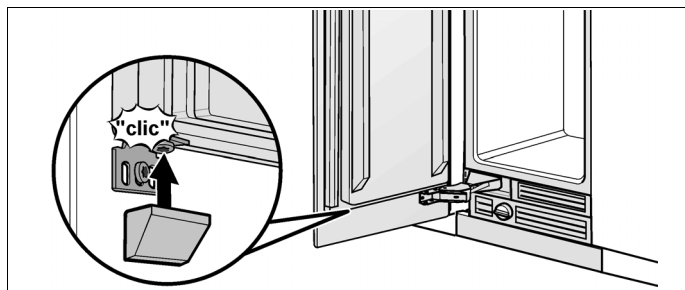
The lower bracket fixes the side position of the door. The number of lower brackets depends on the width and the design of the door panel.

Screw on the lower brackets (Installation kit).  
Pre-drill holes in the door panel!

1. Loosen the screw.
2. Push the bracket over the screw.
3. Check the side position of the door.
4. Screw in the screw.
5. Tighten the screw.

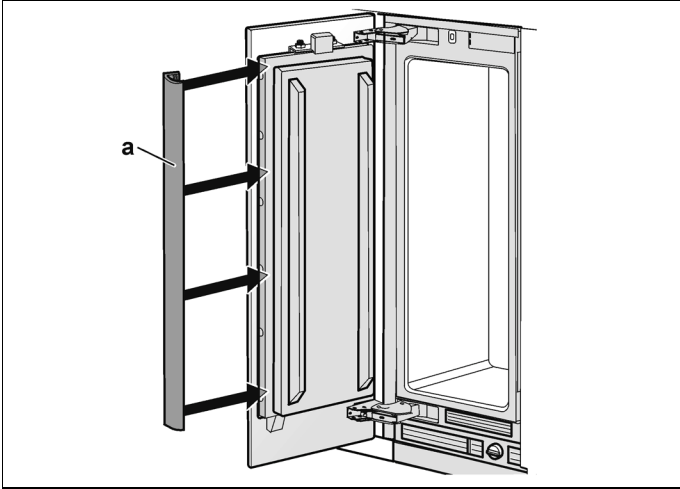


6. Put the cover on the brackets.

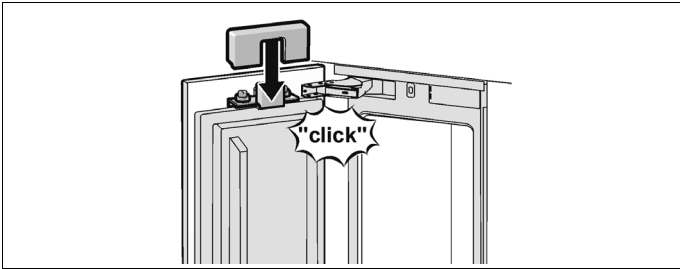


## 11. Attaching the strips

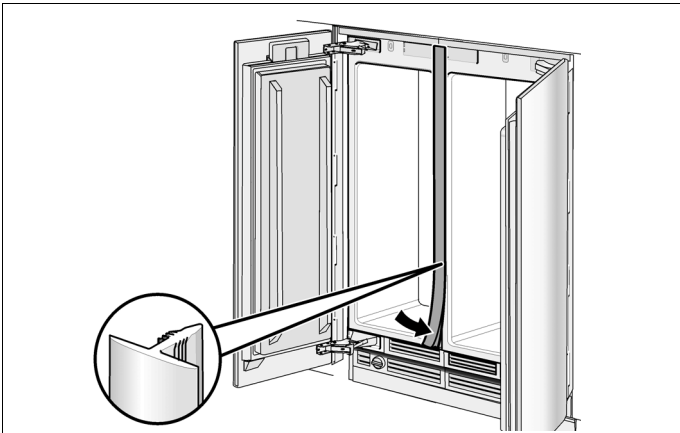
1. Attach the cover strip (a) on the door.



2. Attach the light switch cover.  
The cover can be screwed to the door.



### Side-by-Side installation only:



Insert the cover strip into the space between the appliances.

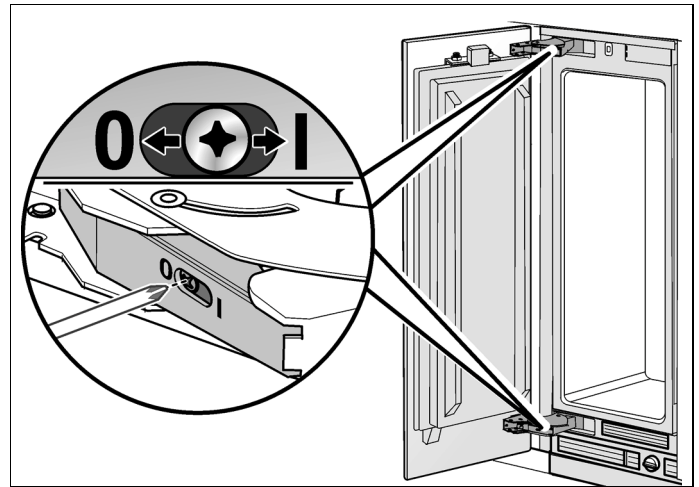
The cover rail is included in the installation accessories for side-by-side installation.

## 12. Adjusting the door spring

Rotate the adjusting screw with a cross-head screwdriver.

I = maximum spring tension

0 = no spring tension



These are special installation steps. Instructions are provided after section C.

- Ice-water dispenser, see "Aligning the ice-water dispenser".
- Cover strips for a wine unit, see "Attaching the cover strips".
- Door limitation pin, see "Adjusting the door opening angle".

**Installation of the appliance is now complete.**



## Special installation

### Changing over the door hinges

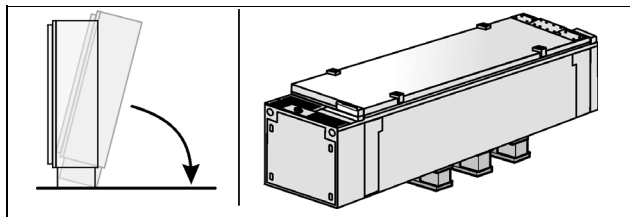
#### ⚠ WARNING:

Risk of injury!

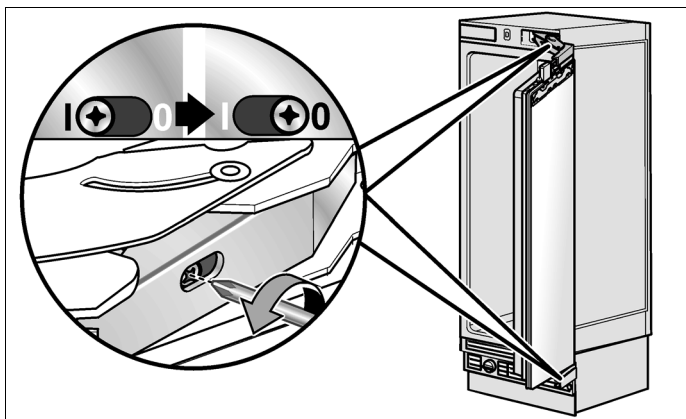
Before working on the hinge, release the spring.

#### Note:

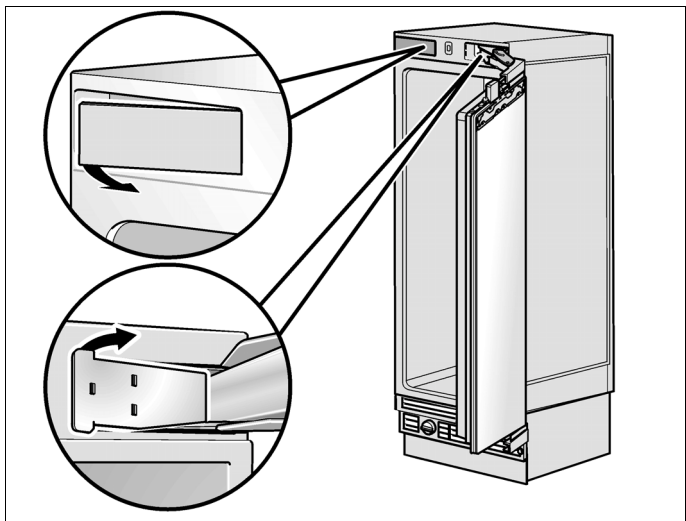
- The door hinges cannot be exchanged in the case of freezers with ice and water dispensers.
- Switching the door hinge is made easier if the appliance is stored here on the back (put the pallet underneath).



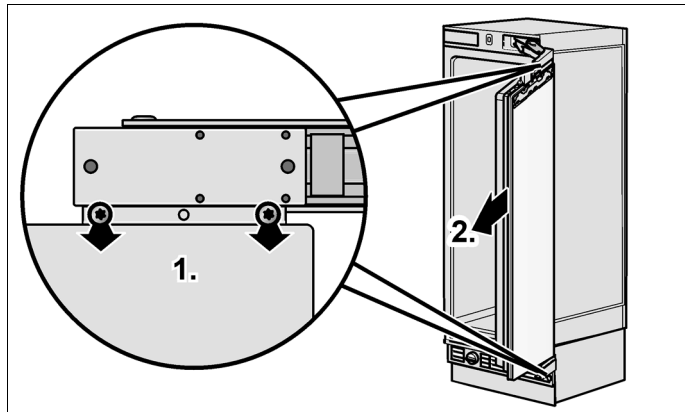
1. Release the spring on the hinge. Loosen the screw from **I** to **0**.



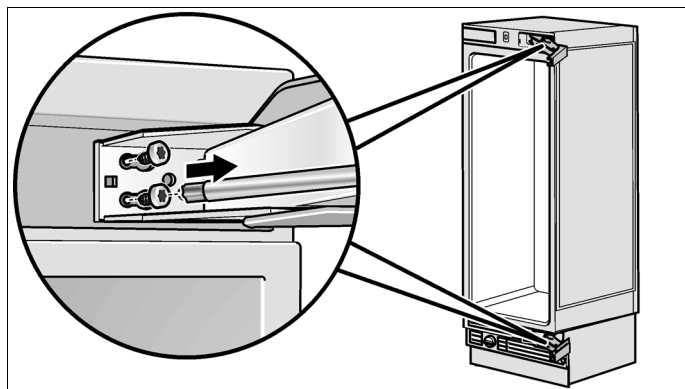
2. Remove the hinge box covers.



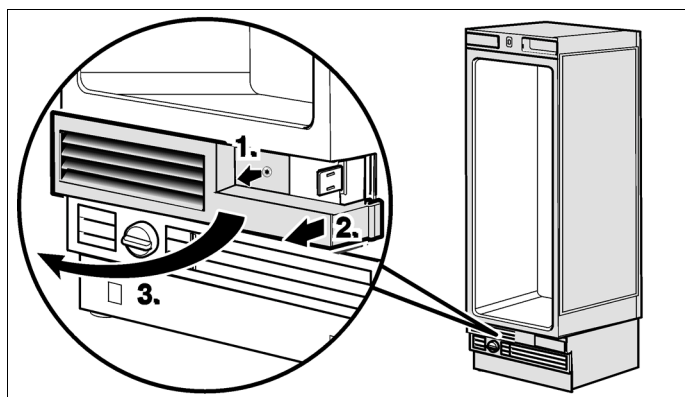
3. Unscrew (1.) and remove (2.) the door.



4. Remove the hinges.

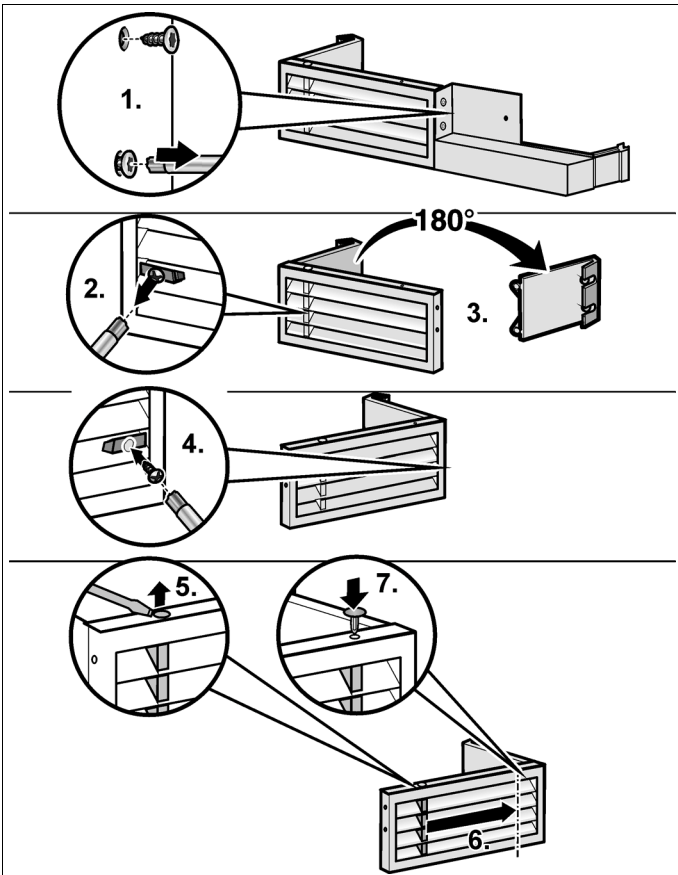


5. Remove the ventilation grille.

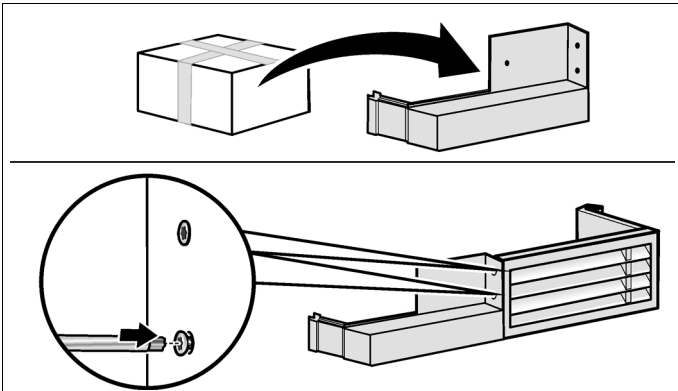




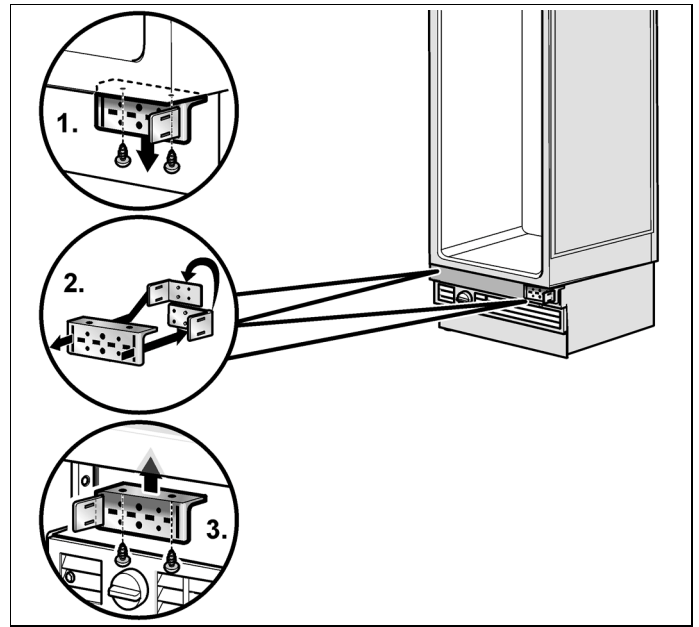
6. Mount new the ventilation grill.



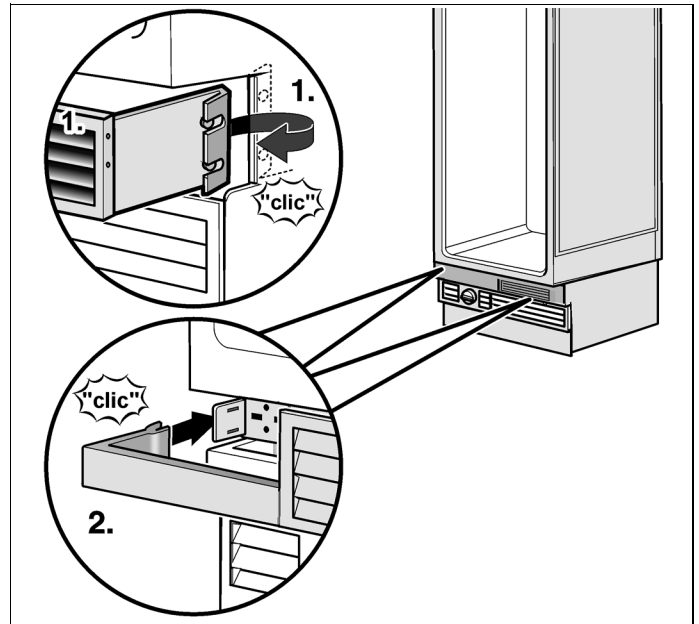
A replacement part for the ventilation grille to adapt to the modified door hinge is included in the installation materials and accessories.



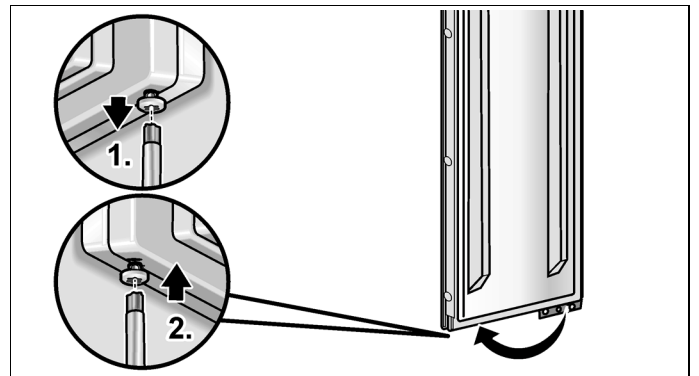
7. Change over the hinge angle.



8. Attach the ventilation grille.

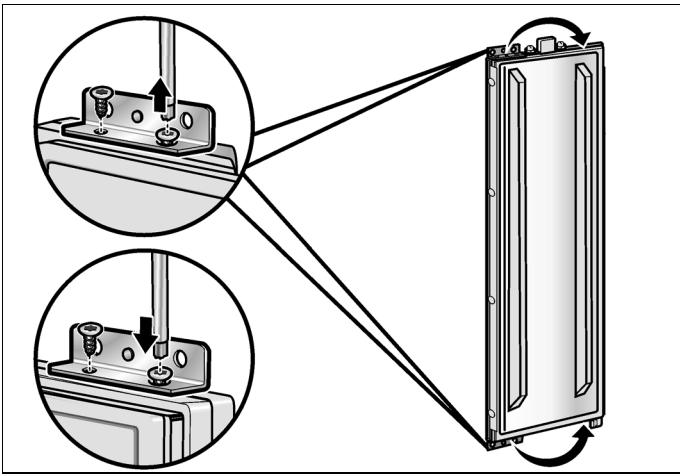


9. Change over the screw for the lower bracket.

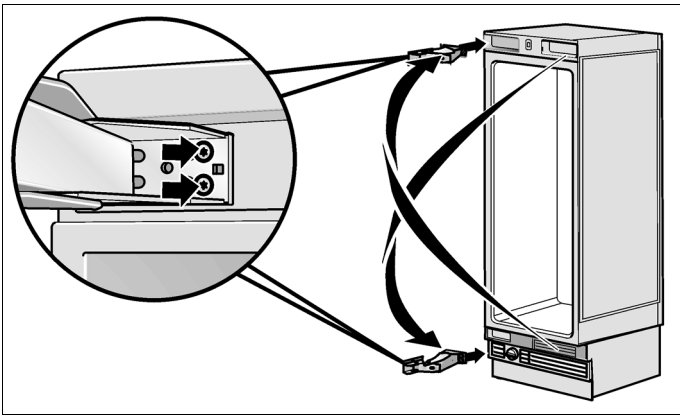




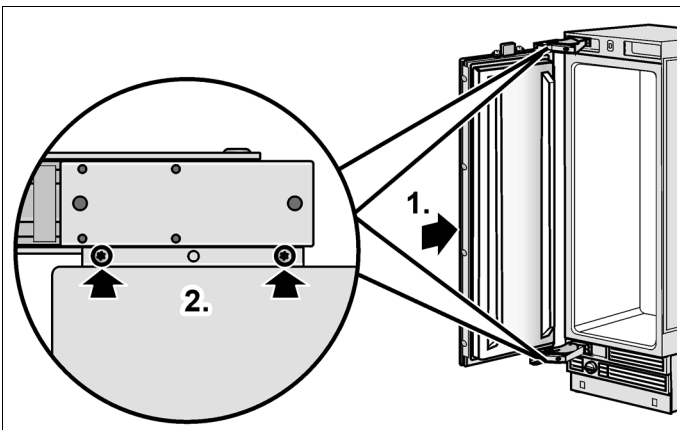
10. Change over the fixation parts on the door.



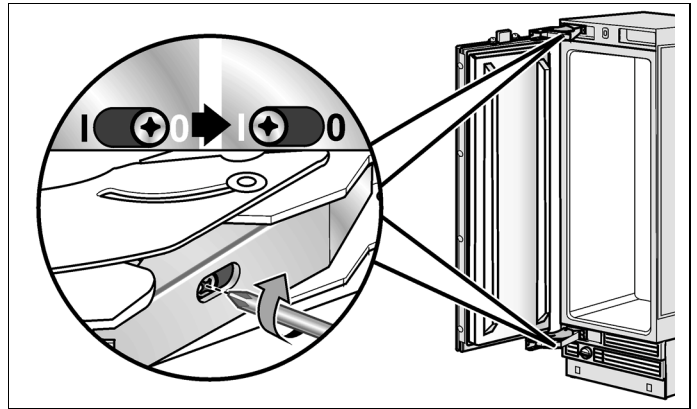
11. Fix the hinges on the appliance. Change the hinges crosswise!



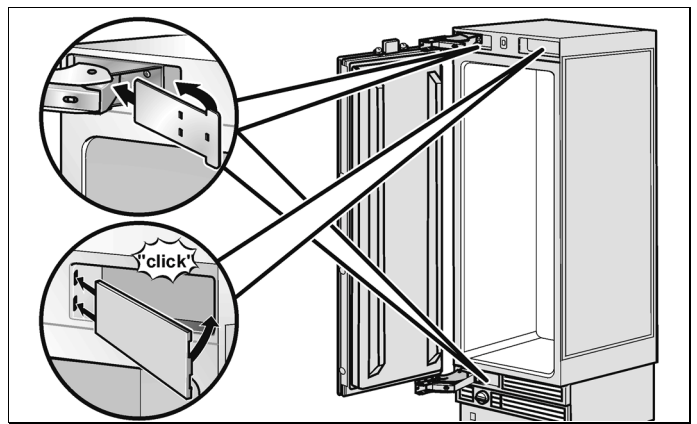
12. Fix the door.



13. Span the spring on the hinge. Tighten the screw from 0 to 1.



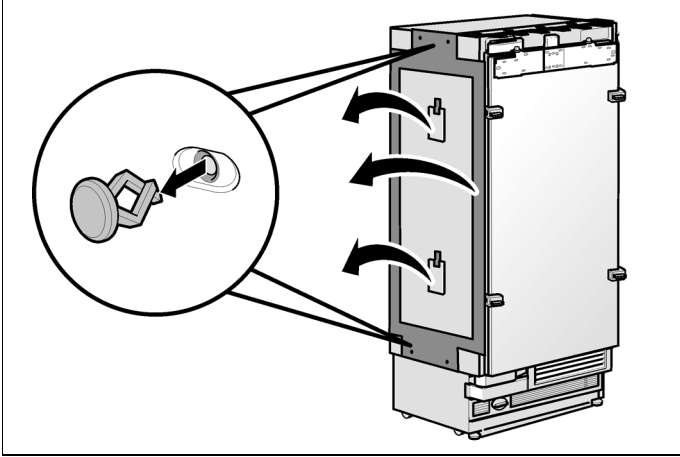
14. Fix the hinge box cover.



## Removing/changing over the sealing mat

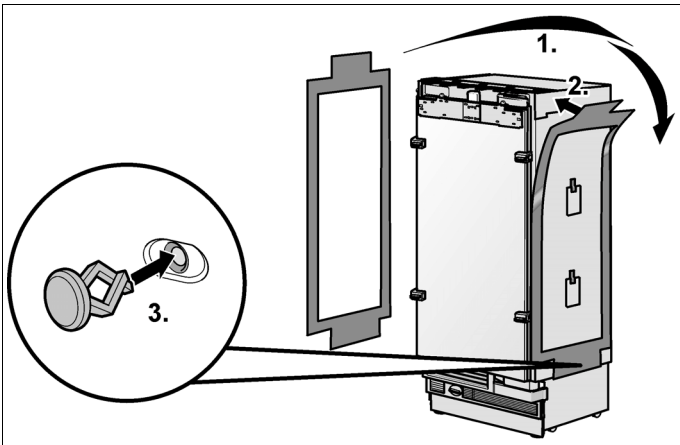
Freezers are factory equipped with a sealing mat for the Side-by-side installation.

If the installation is planned as a individual unit, the sealing mat is not needed and can be removed.



For the Side-by-Side installation the sealing mat is absolutely necessary.

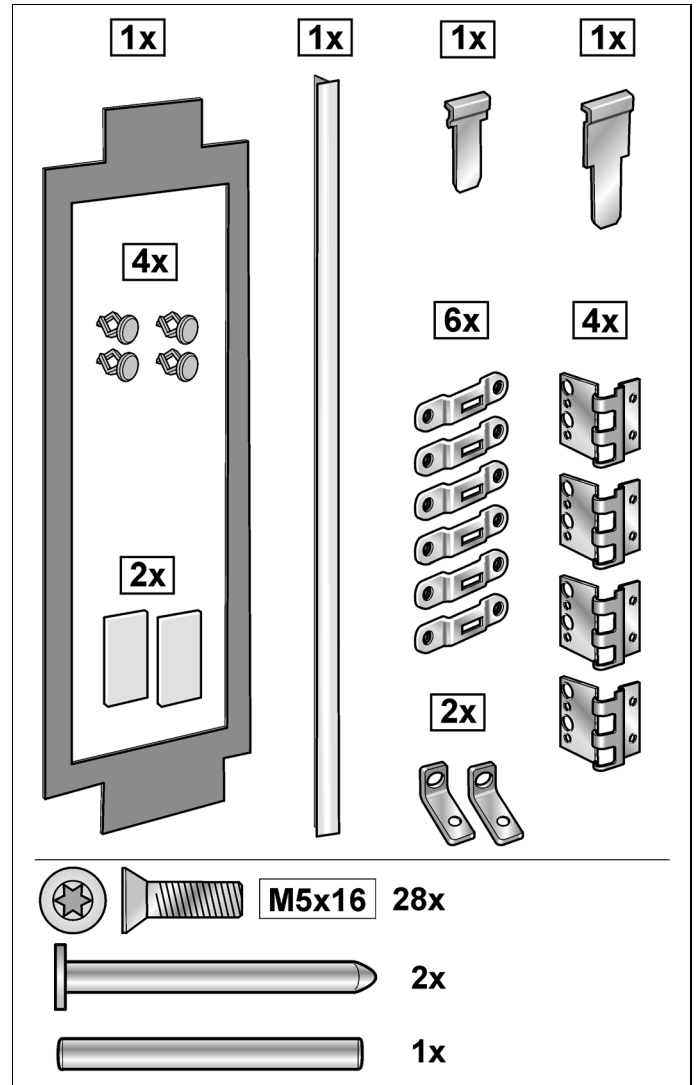
If the door hinge of the freezer to the other side has been placed before, the sealing mat must also be implemented to the opposite side.



## Side-by-Side installation

If a Side-by-Side installation is intended, now connect the two appliances together.

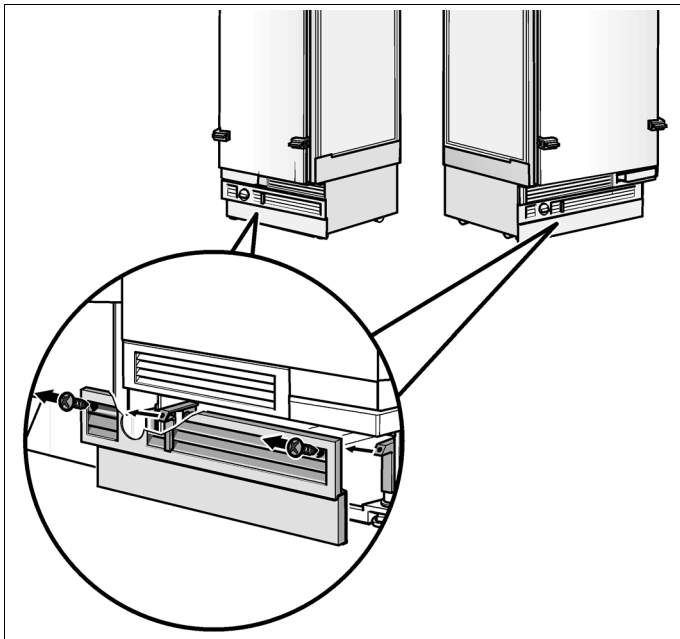
1. Unpack the Side-by-Side kit and check that no parts are missing.



2. Place the appliances next to each other in the intended configuration.

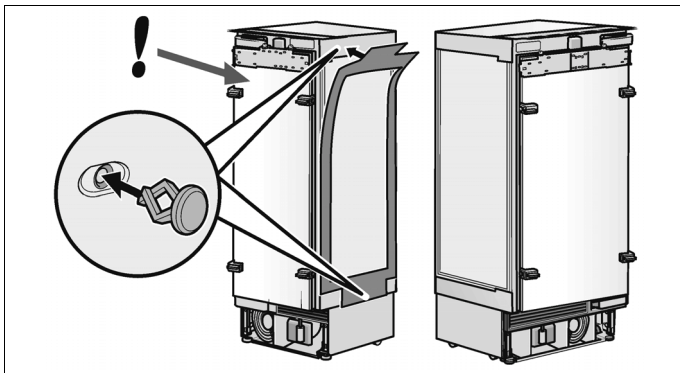


3. Unscrew the base panels.

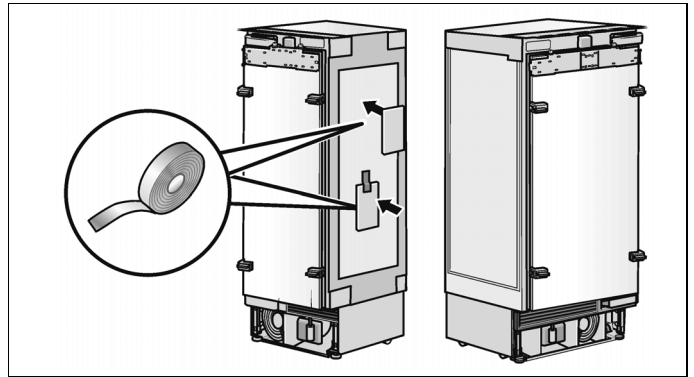


**Note:**

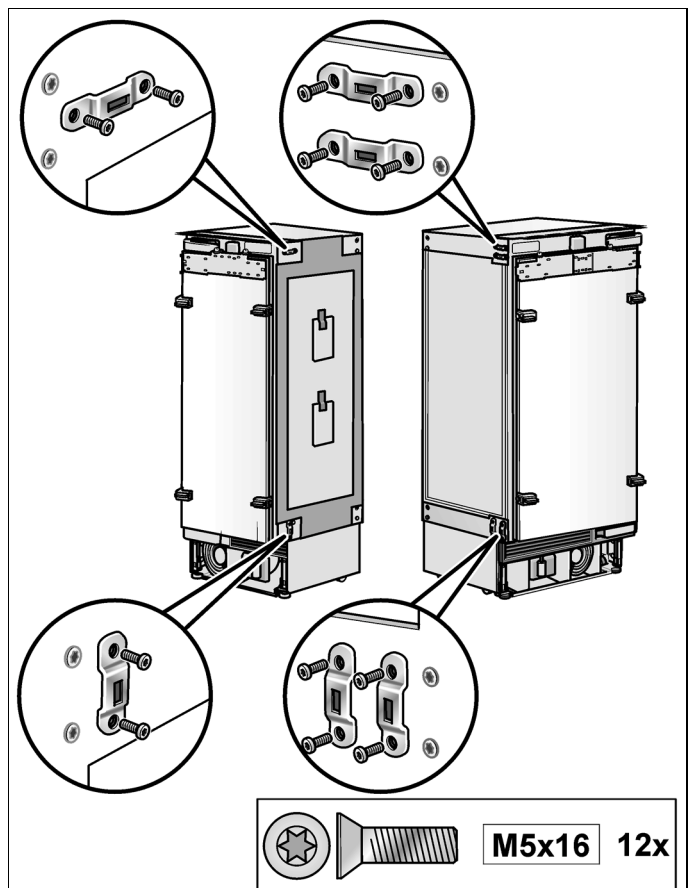
- Freezers are factory equipped with a sealing mat for the Side-by-side installation. Continues the work to step 6.
  - Attach the mat always left standing appliance!
4. Stick sealing mat from the Side-by-Side kit around the edge. Secure the sealing mat with the pins.



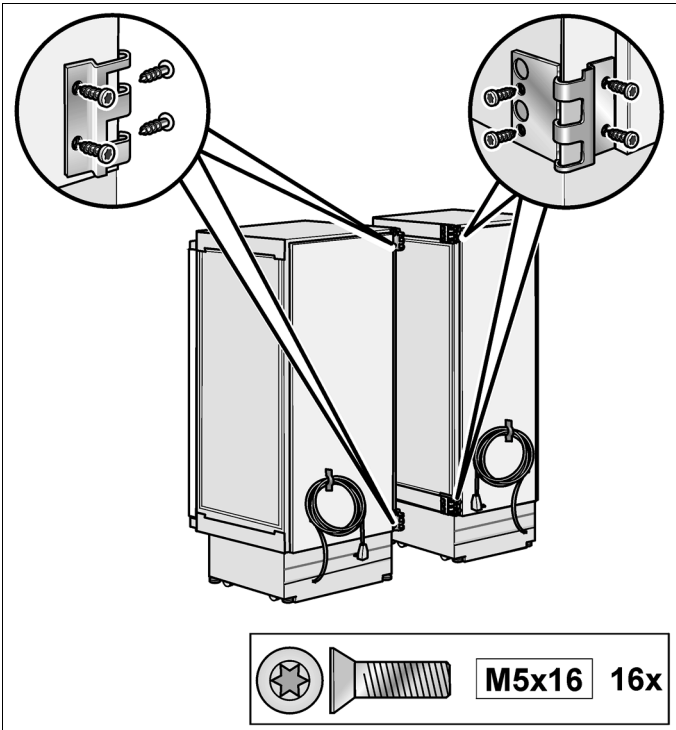
5. Place the water-absorbing stripes from the Side-by-Side kit on the side wall and secure with self adhesive tape.



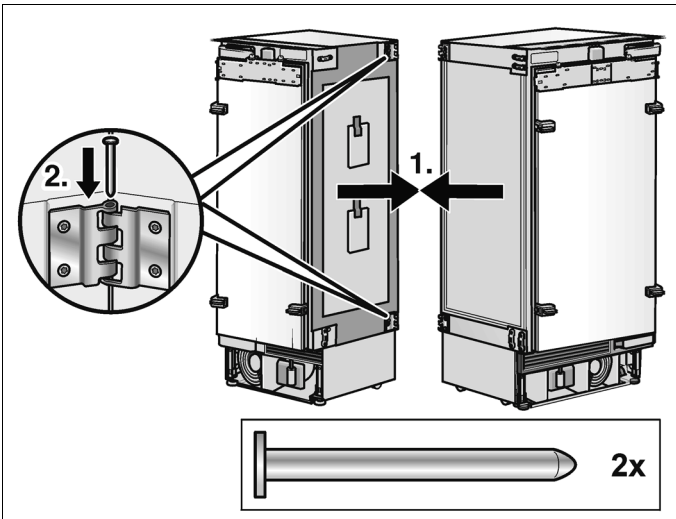
6. Screw side plates from the Side-by-Side kit to both appliances. Note the position of both appliances!



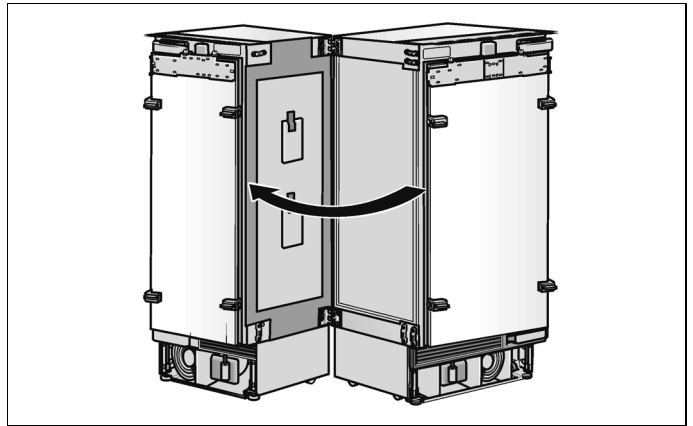
7. Screw the hinge halves in the Side-by-Side kit to both appliances.



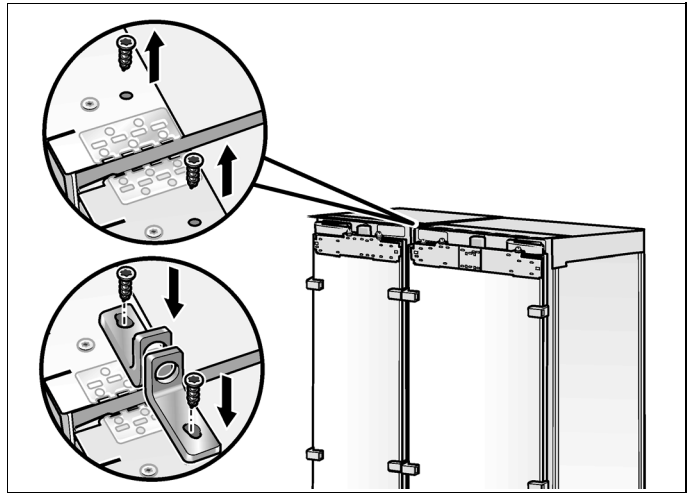
8. Push the appliances together until the hinge halves interlock.  
9. Insert pins into the hinges.



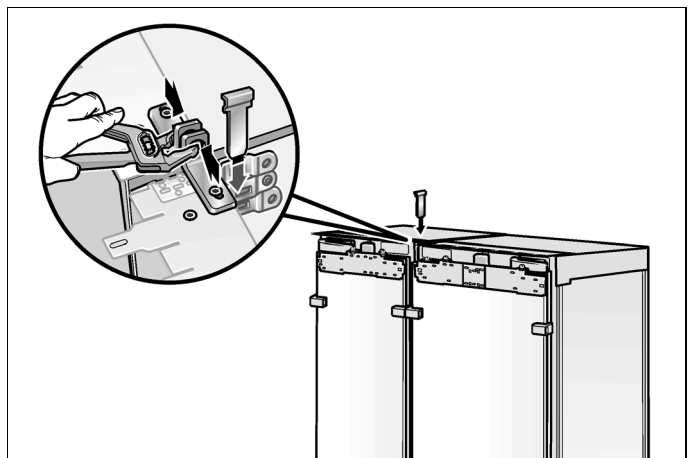
10. Push the appliances together at the front as far as possible.



11. Loosen the screws on the top of the appliance and screw the installation aids to the upper side of both appliances.

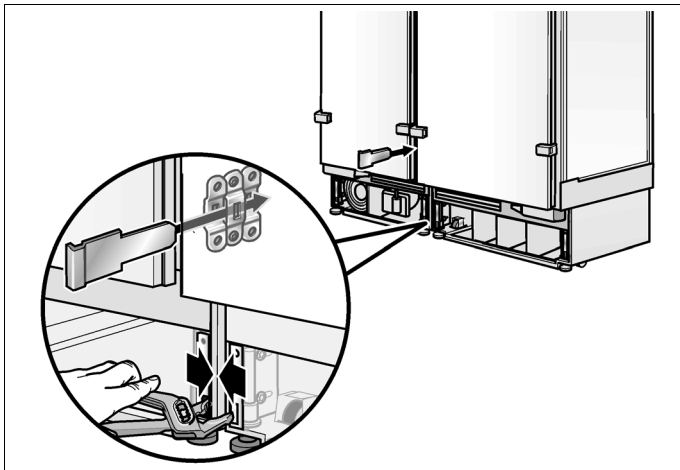


12. Pull the appliances together at the top with Water pump pliers (A).  
13. When the appliances have been completely pulled together, insert the bar into the upper plates.

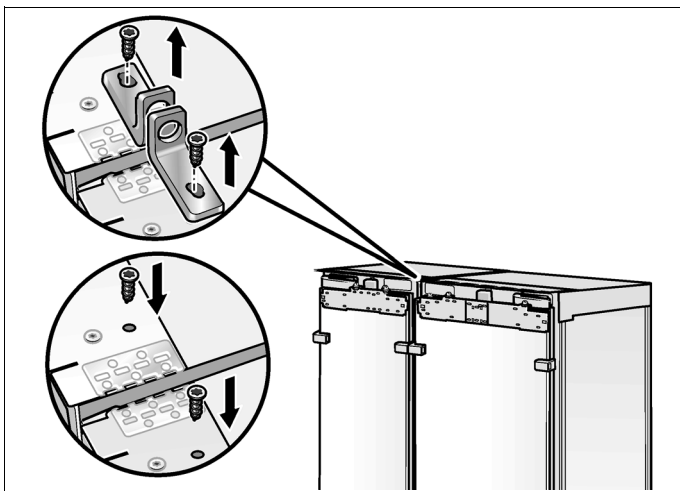




14. Pull the appliances together at the bottom with Water pump pliers.
15. When the appliances have been completely pulled together, insert the bar into the lower plates. Use a tool to push the bar in all the way.

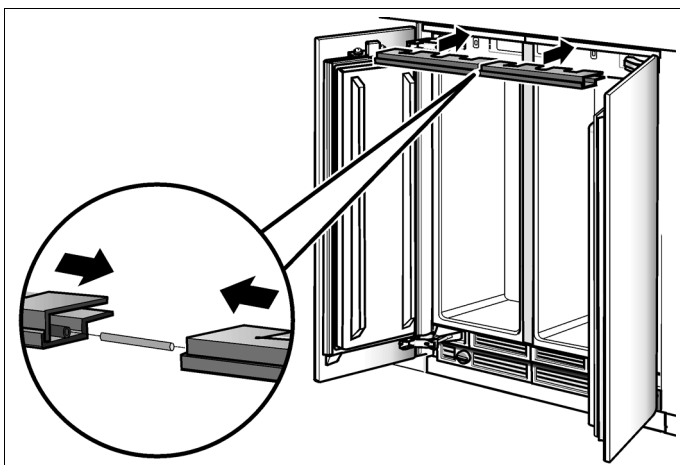


16. Remove the installation aids.



To attach the cover strip to the attachment plate (top):

17. Connect both cover rails to the bolt included in the Side-by-Side kit.



## Preparing to connect the water

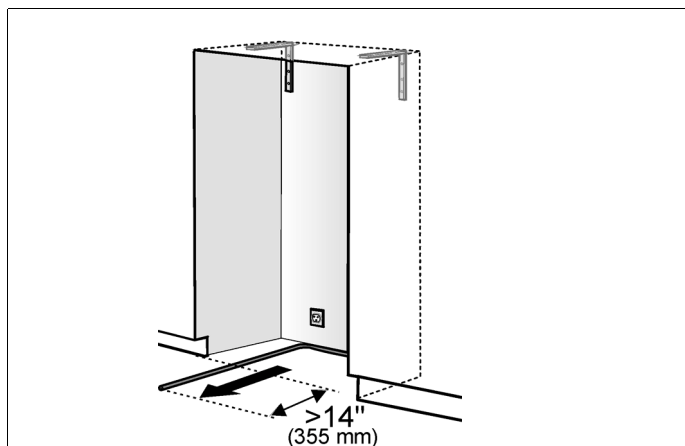
(only for appliances which require a water connection)

### Note:

Turn off the main water tap to prevent damage caused by leaking water.

1. Attach the water line to the shut-off valve according to the instructions supplied by the manufacturer of the ice maker installation kit.
2. Install the water line.

Always observe the indicated dimensions to prevent damage to the water line when pushing in the appliance.

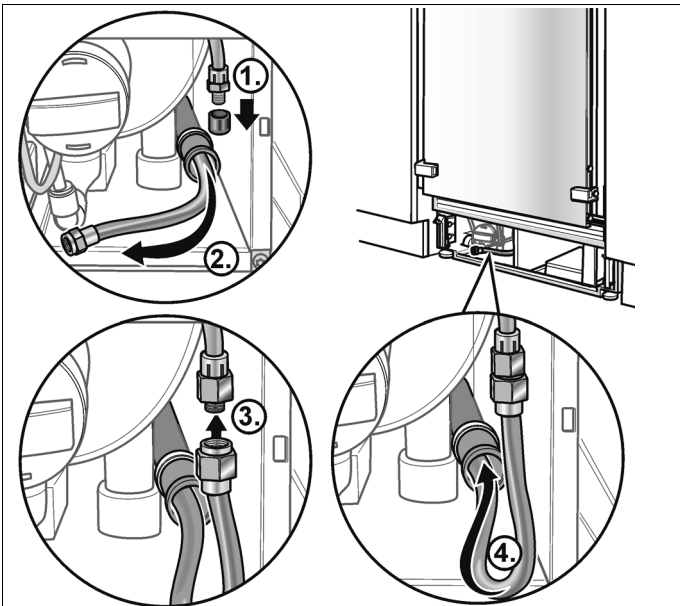


## Connecting the water to the appliance

### Note:

When bending the water line, do not kink it, otherwise there is a **risk of leaks and water damage**.

1. Remove the cap from the appliance connection (1.).
2. Bend the water line according to the location of the connection on the appliance (2.).
3. Push the union nut and seal onto the water line.
4. Push the end of the water line into the appliance connection and screw on the union nut (3.). Tighten hand-tight.
5. Using the open-ended wrench, tighten the union nut. Do not overturn!
6. Push back the water line into the guard tube as far as possible (4.).



7. Open the shut-off valve and main water tap.
8. Check the connection on the shut-off valve and on the appliance for leaks.
9. Close the shut-off valve.

## Aligning the ice-water dispenser

(for freezer unit with ice-water dispenser only)

### Note:

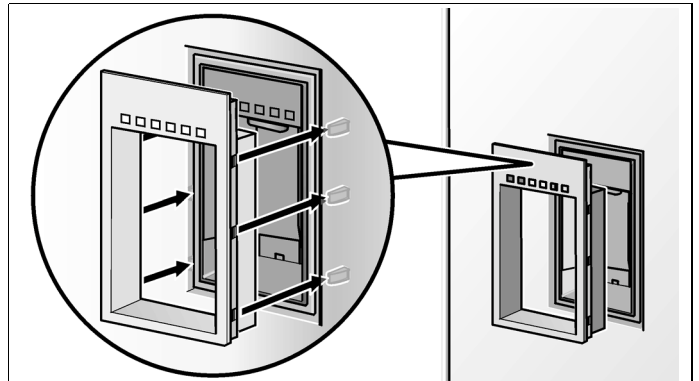
In the case of appliances with a high-grade steel door, there is a special covering frame.

The ice-water dispenser can be aligned inside the cutout of the door panel. This allows the dispenser to be aligned parallel to the door panel in order to obtain an optimum overall appearance.

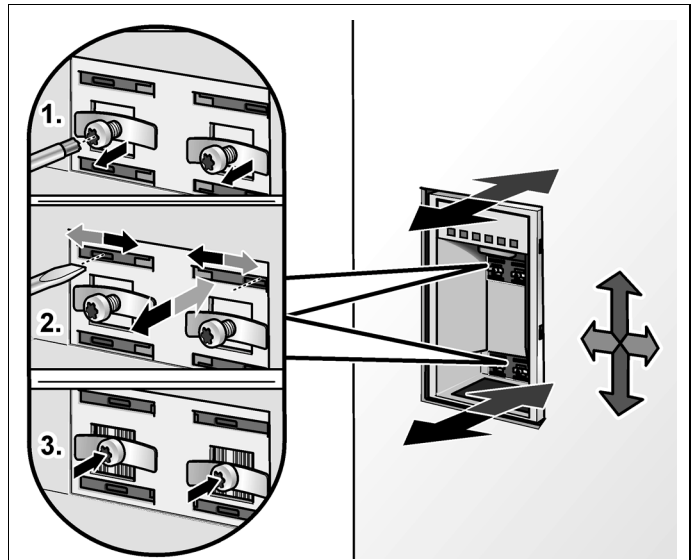
### Note:

We suggest to attach the frame before adjusting the dispenser unit!

1. Slide cover frame onto the ice-water dispenser and press in until the frame is flush with the door surface.

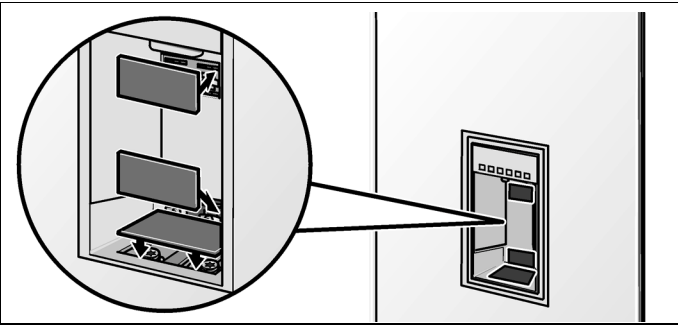


2. Loosen screws on the 4 clamps (1.).
3. Insert flat screwdriver into one of the 4 slots and push the blocks sideways until the ice-water dispenser has the same distance from the door panel (2.).
4. Retighten the screws on the clamps (3.).

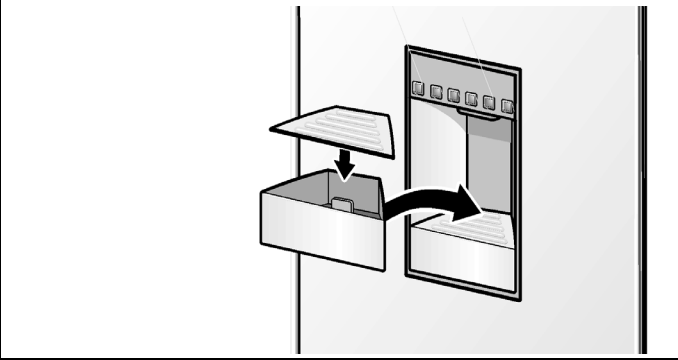




5. Insert covers.



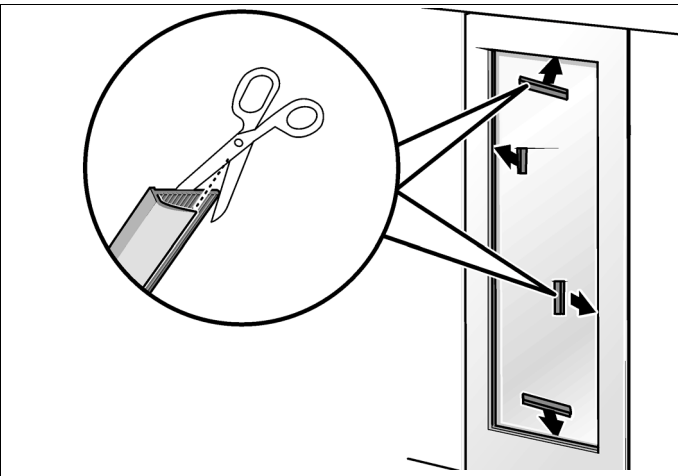
6. Insert the water collecting tray.



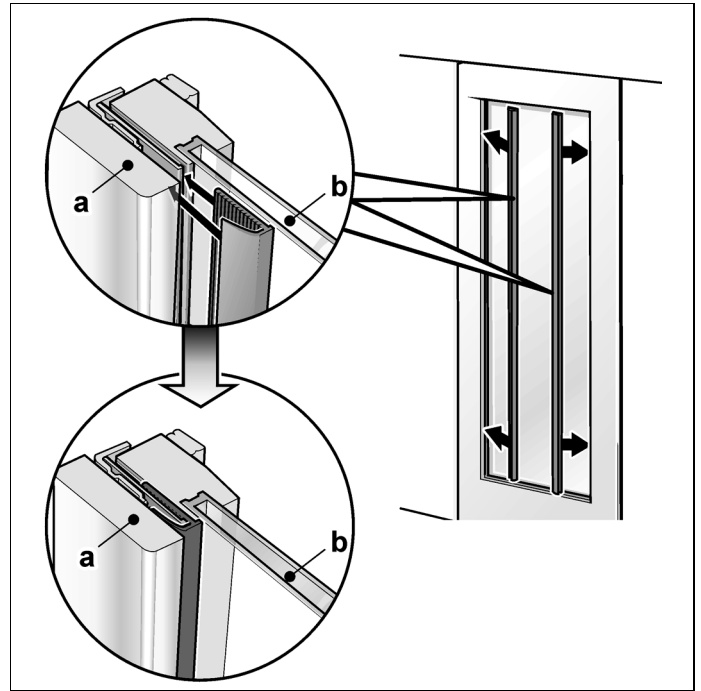
## Attaching the cover strips

(for wine storage cupboard only)

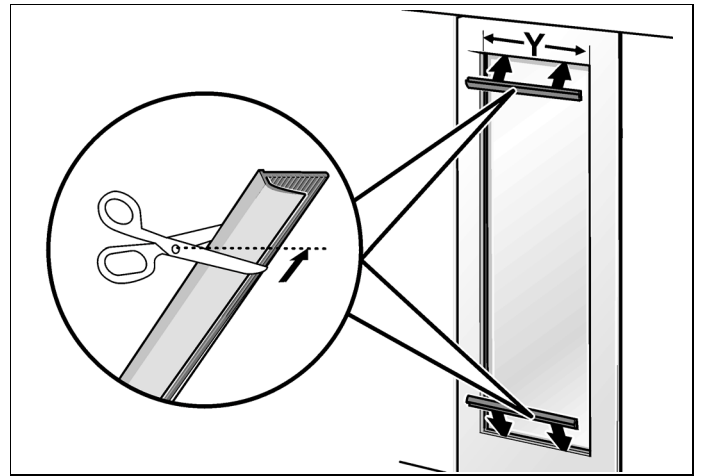
1. If the frame width is narrow, the cover strip side piece may have to be shortened. To determine the required length of the side piece, test pieces are enclosed with the cover strip.



2. Push cover strips on the longitudinal side into the gap between the door panel (a) and glass pane (b).

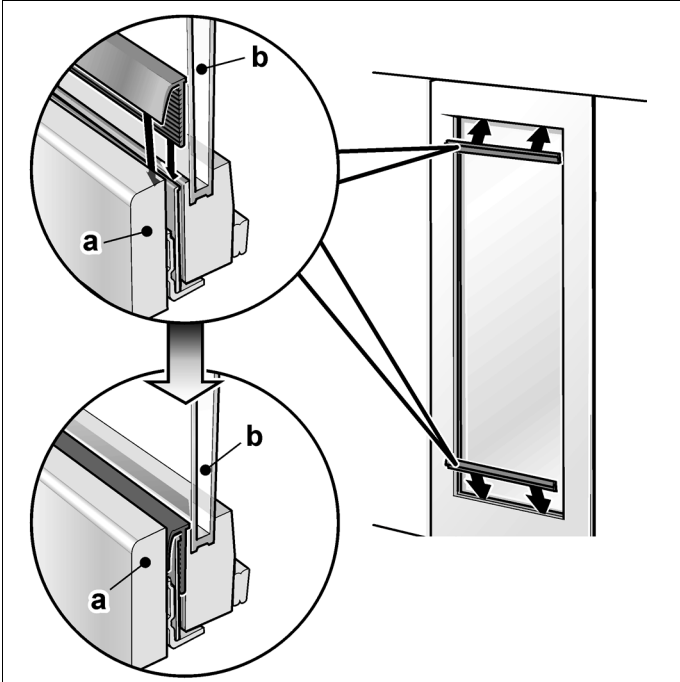


3. Cut the cover strips on the short sides to the required length.





4. Slide cover strips in the gap between the door panel (a) and glass pane (b).

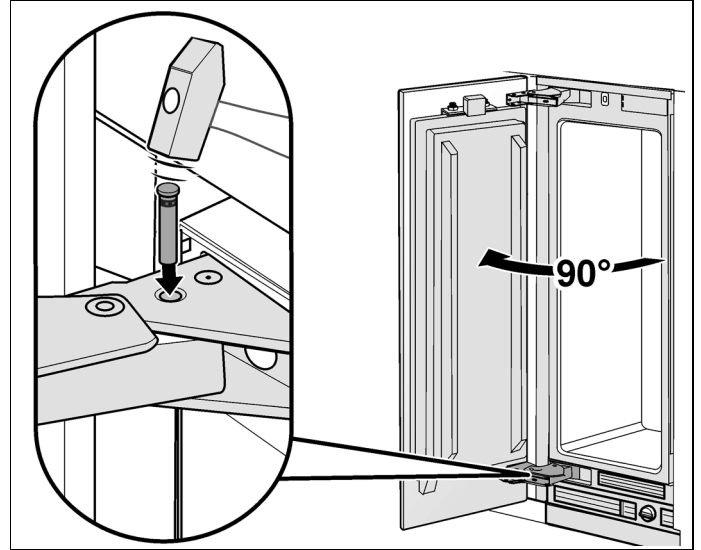


## Adjusting the door opening angle

Depending on the installation situation, it may be necessary to adjust the door opening angle. A door opening angle of  $115^\circ$  has been set at the factory.

To adjust the door opening angle to  $90^\circ$ :

1. Open door to  $90^\circ$ .
2. Insert the banking pin through the boreholes which are now vertically aligned and drive in with a hammer.



# Sommaire

## INSTRUCTIONS DE SÉCURITÉ

**IMPORTANTES** ..... 35

**Options d'installation** ..... 36

Appareils individuelle ..... 36

Côte à côte ..... 36

Appareils individuels avec séparation ..... 36

Appareils individuels à l'extrémité  
des cuisines intégrées ..... 36

**Installation** ..... 37

Local d'installation ..... 37

Installation stable ..... 37

Cavité d'installation ..... 37

Meubles ..... 37

Sol ..... 37

Alignement de l'appareil ..... 38

**Raccordement à l'alimentation électrique** ..... 38

Instructions de raccordement à la terre ..... 38

Procédure additionnelle de mise à la terre ..... 38

**Raccordement de l'eau** ..... 38

**Dimensions d'installation** ..... 39

**Accessoires et outillage requis** ..... 40

Accessoires fournis ..... 40

Accessoires en option ..... 40

Autres accessoires requis ..... 40

Autres ..... 40

Outils ..... 40

**Instructions d'installation** ..... 41

1. Vérification de la cavité  
d'installation ..... 41

2. Enlèvement de l'emballage ..... 41

3. Transport de l'appareil ..... 42

4. Préparation du montage ..... 42

5. Installation spéciale ..... 42

**A** 1. Fixation des cornières  
anti-renversement ..... 43

2. Fixation d'un dispositif  
anti-renversement alternatif ..... 44

3. Fixation du protège-bords ..... 44

4. Fixez les pattes de fixation  
(latérales)..... 44

5. Pousser l'appareil dans la cavité  
d'installation ..... 45

**B** 1. Alignement de l'appareil dans  
la cavité d'installation ..... 46

2. Fixation de l'appareil dans la cavité  
d'installation ..... 46

**C** 1. Fixation du bandeau de socle ..... 48

2. Alignement du bandeau de socle ... 48

3. Mise en service de l'appareil ..... 49

4. Préparation des portes  
de meubles ..... 49

5. Application d'une charge à la porte  
de l'appareil ..... 49

6. Enlever l'accessoire  
de positionnement ..... 49

7. Fixation du rail d'ajustage contre  
la porte du meuble ..... 50

8. Montage des bandes de fixation  
contre le panneau de porte ..... 50


9. Fixation de la porte de meuble ..... 51

10. Fixation des brides inférieures ..... 52

11. Fixation des couvercles ..... 53

12. Changement du ressort de porte ... 53

**Installation spéciale** ..... 54

 Inversion du sens d'ouverture  
des portes ..... 54

Enlèvement/transfert du tapis  
d'étanchéité ..... 57

Installation côte à côte ..... 57

Préparation du raccordement de l'eau ... 60

Raccordement de l'eau à l'appareil ..... 61

Alignement du distributeur de glaçons  
et d'eau ..... 61

Fixation des baguettes couvre-joints ..... 62

Ajustage de l'angle d'ouverture  
de porte ..... 63

# INSTRUCTIONS DE SÉCURITÉ IMPORTANTES

## AVERTISSEMENT

Le centre de gravité de cet appareil se trouve assez haut dans celui-ci. Il faut donc sécuriser l'appareil pour l'empêcher de basculer en avant.

Une protection anti-renversement est nécessaire.

Maintenez les portes de l'appareil fermées jusqu'à ce qu'il ait été installé et sécurisé conformément aux instructions d'installation.

Vu le poids et la taille de l'appareil et pour réduire le risque de dommages corporels et d'endommagement du produit, **IL FAUT DEUX PERSONNES POUR RÉALISER L'INSTALLATION CORRECTEMENT.**

Cet appareil doit être correctement relié à la terre. Voir la section sur le «Raccordement à l'alimentation électrique».

Veuillez n'utiliser cet appareil qu'aux fins pour lesquelles il a été prévu.

Réparez ou remplacez immédiatement les cordons d'alimentation électrique qui se sont usés ou sont endommagés.

Débranchez l'appareil ou ramenez le disjoncteur en position éteinte avant de nettoyer ou d'effectuer des réparations.

Les réparations sont réservées à un technicien qualifié du service après-vente.

## REMARQUE

L'installation de cet appareil oblige à détenir des connaissances de bases en mécanique, en menuiserie et en plomberie.

La responsabilité d'une installation adéquate revient à l'installateur.

Une défaillance du produit due à son installation incorrecte n'est pas couverte par la garantie dont bénéficie l'appareil.

Veuillez vous reporter au manuel de l'utilisateur pour connaître les informations sur la garantie.

## IMPORTANT

Veuillez conserver ces instructions pour usage par l'inspecteur local. Veuillez observer tous les règlements et ordonnances.

Remarque à l'intention de l'installateur –  
Veuillez bien à laisser les présentes instructions au client.

Remarque à l'intention du consommateur –  
Veuillez conserver les présentes instructions avec votre manuel de l'utilisateur. Ils vous permettront de vous y reporter ultérieurement.

## Générale

Les présentes instructions d'installation sont destinées à être utilisées par des installateurs qualifiés. Tous les raccordements de l'eau, de l'électricité et à la terre doivent se conformer aux règlements et ordonnances locaux, ils doivent être réalisés par du personnel sous licence lorsque nécessaire. En l'absence de réglementation locale :

- Aux USA : en conformité avec le National Electric Code, ANSI/NFPA70 en son édition la plus récente, avec les règlements des États et municipaux et/ou les règlements locaux.
- Au Canada : en conformité avec le Code canadien de l'électricité C22.1 en son édition la plus récente, avec les règlements des provinces et municipaux et/ou les règlements locaux.

## Definitions

### AVERTISSEMENT:

Cette mention précède une instruction assortie d'un danger de mort ou de blessures graves si vous ne respectez pas son contenu

### ATTENTION:

Cette mention précède une instruction assortie d'un risque de blessures légères ou de dégâts si vous ne respectez pas son contenu.

### Remarque:

Cette mention sert à attirer votre attention sur un aspect particulier.

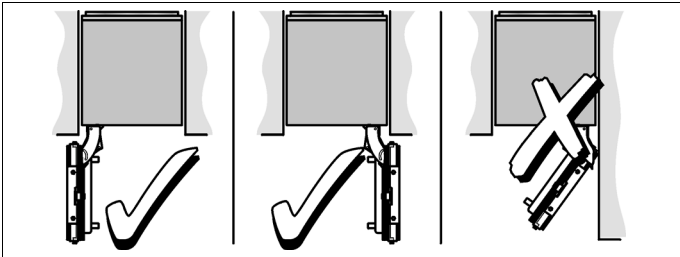
## Options d'installation

Il y a plusieurs options d'installation différentes.

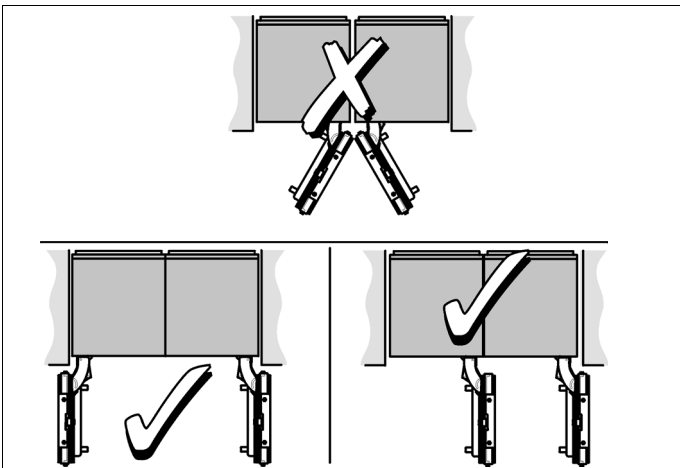
Elles sont limitées seulement par l'agencement de votre cuisine et par la fonction du bandeau protège-doigts.

Voir également « Conseils succincts pour la conception de la cuisine (Kitchen Design Quick Reference) ».

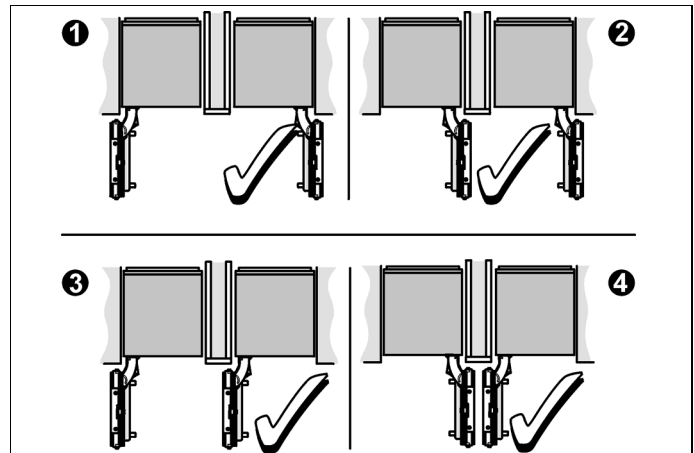
### Appareil individuel



### Côte à côte



## Appareils individuels avec séparation



- Lorsque vous dimensionnez la séparation affectée à la configuration 4 ci-dessus, notez l'épaisseur de la façade des meubles pour empêcher des dégâts lors de l'ouverture simultanée des portes.
- Utilisez le kit de chauffage pour combinaison extrême, si l'espace vide entre les appareils est inférieur à 6" (160 mm). Voir la section consacrée aux « Accessoires en option ».
- Épaisseur minimum de la séparation  $\frac{5}{8}$ " (16 mm).

## Appareils individuels à l'extrémité des cuisines intégrées

Si un côté de l'appareil est visible, il faudra utiliser un panneau latéral.

Le panneau latéral doit être fermement fixé contre le mur, le sol ou un placard/le appareillages situés au-dessus avant de placer l'appareil dans la cavité.

Pour dimensionner le panneau latéral, basez-vous sur les dimensions du panneau opposé formant la cavité. Pendant l'installation, veillez à ce que la cavité reste à angles droits et qu'elle ait la taille exacte.

## Installation

### **AVERTISSEMENT:**

N'installez pas cet appareil :

- en plein air,
- dans un environnement où de l'eau goutte,
- dans des locaux où règne une température inférieure à 32 °F (0 °C).

L'appareil est très lourd. Les poids à vide :

Réfrigérateur 24"	env. 310 lbs/140 kg
Réfrigérateur 30"	env. 350 lbs/158 kg
Congélateur 18"	env. 255 lbs/115 kg*
Congélateur 24"	env. 300 lbs/135 kg*
Congélateur 30"	env. 335 lbs/150 kg*
Cave à vin 18"	env. 300 lbs/135 kg
Cave à vin 24"	env. 360 lbs/160 kg

(\* sans distributeur d'eau)

### Local d'installation

Il faudra installer l'appareil dans une pièce sèche et bien aérée.

La température ambiante ne doit pas descendre en dessous de 55 °F (13°C) ni monter au-dessus de 110 °F (43 °C), faute de quoi l'appareil risque de mal fonctionner.

L'emplacement ne doit pas être directement exposé aux rayons solaires ou proche de sources de chaleur tels qu'une chaudière, un radiateur, etc. S'il n'y a pas moyen d'éviter une installation à proximité d'une source de chaleur, utilisez un panneau isolant approprié ou respectez les distances minimum suivantes par rapport à la source de chaleur :

- 1<sup>1</sup>/<sub>4</sub>" (30 mm) d'une cuisinière électrique,
- 12" (300 mm) d'une chaudière à combustible solide.

### Installation stable

L'appareil est très lourd et tend à basculer en avant lorsque vous ouvrez la porte.

N'ouvrez jamais la porte tant qu'un moyen empêchant l'appareil de se renverser n'a pas été installé.

La méthode la plus sûre pour installer l'appareil dans une position stable consiste à utiliser les dispositifs anti-renversement livrés d'origine.

Si la cavité d'installation est suffisamment solide et si l'appareil a été fixé de manière sûre contre les parois supérieure et latérales de cette cavité, cela lui apportera une stabilité additionnelle. Prérequis indispensable à cela : il faut que la cavité d'installation soit fermement fixée contre le mur arrière !

En cas de doute, contactez un architecte ou un expert en bâtiment.

## Cavité d'installation

### Remarque:

Nous suggérons instamment de former la limite supérieure de la cavité à l'aide d'un matériau dur (épaisseur <sup>5</sup>/<sub>8</sub>" (16 mm)).

Assurez-vous que les parois latérales de la cavité sont parfaitement alignées ! Si pour certaines raisons vous créez un placard-cavité séparé, veillez à ce que la zone du retour de meuble fasse au moins 4" (100 mm) de profondeur.

Pour une installation sans incident de l'appareil et pour qu'ensuite la façade du meuble soit esthétique, il est important que la cavité d'installation ait bien les dimensions spécifiées.

Assurez-vous en particulier que la cavité présente des angles droits.

Vous pouvez le vérifier avec des moyens appropriés, par exemple un niveau à bulle, des mesures en diagonale, etc.

### Meubles

Le nouvel appareil est vissé de manière sûre contre des meubles/appareillages adjacents ou situés au dessus de lui.

Pour cette raison, il est essentiel que tous les meubles/appareillages soient fixés de manière sûre contre le sol ou le mur à l'aide de moyens appropriés.

### Sol

#### **AVERTISSEMENT:**

Un appareil plein est très lourd. Portance du sol, reportez-vous suivant :

Réfrigérateur 24"	env. 890 lbs/400 kg
Réfrigérateur 30"	env. 1110 lbs/500 kg
Congélateur 18"	env. 560 lbs/250 kg*
Congélateur 24"	env. 780 lbs/350 kg*
Congélateur 30"	env. 950 lbs/425 kg*
Cave à vin 18"	env. 550 lbs/245 kg
Cave à vin 24"	env. 694 lbs/310 kg

(\* sans distributeur d'eau)

Pour être sûr que l'appareil a été installé de façon sûre et qu'il fonctionne correctement, le sol doit être plat et horizontal.

Le sol doit être constitué d'un matériau dur et rigide.

La surface d'installation doit se trouver au même niveau que le reste de la pièce (no step up or down).

Compte tenu du poids élevé de l'appareil lorsqu'il est plein, il faut que le sol offre la portance nécessaire.

En cas de doute, contactez un architecte ou un expert en bâtiment.

## Alignement de l'appareil

Pour assurer que l'appareil fonctionne correctement, il faut le niveler de façon correcte.

Si l'appareil n'est pas nivelé, de l'eau risque de couler du distributeur de glace, les glaçons risquent d'être irréguliers ou les portes risquent de ne pas se fermer correctement.

---

## Raccordement à l'alimentation électrique

### AVERTISSEMENT:

#### Risque de choc électrique

- Branchez la fiche mâle à 3 broches de l'appareil dans une prise à 3 orifices femelles reliée à la terre.
- Ne retirez pas la broche de raccordement à la terre.
- N'utilisez pas d'adaptateur
- N'utilisez pas de prolongateur.

Le non-respect de ces instructions s'assortit d'un danger de mort, d'incendie ou de choc électrique.

Respectez toutes les réglementations de votre État et locales, ou le NEC.

L'appareil est livré avec un cordon d'alimentation électrique à trois fils et figurant dans la liste UL aux USA.

Cet appareil requiert d'être raccordé à une prise femelle à trois fils.

L'installation de cette prise est une opération exclusivement réservée à un électricien agréé.

Il faut que la prise soit protégée par un coupe-circuit ou un fusible supportant 15 A.

Appareil	Ampérage instantané maximal
Réfrigérateur 24"	2.0 ampères
Réfrigérateur 30"	2.0 ampères
Congélateur 18" (*)	3.5 ampères
Congélateur 24" (*)	4.0 ampères
Congélateur 30" (*)	4.5 ampères
Cave à vin 18"	2.0 ampères
Cave à vin 24"	2.0 ampères

(\*) compris distributeur de glaçons

En ce qui concerne la position d'installation de la prise femelle, veuillez vous reporter à la section «Dimensions d'installation».

## Instructions de raccordement à la terre

Cet appareil devra être relié à la terre. En cas de dysfonctionnement ou de panne, le raccordement à la terre réduit le risque de choc électrique en fournissant au courant un chemin de moindre résistance électrique.

### AVERTISSEMENT:

Un branchement incorrect du fil de raccordement à la terre peut occasionner un choc électrique. Si vous n'êtes pas sûr que l'appareil est correctement relié à la terre, faites-le vérifier par un électricien agréé ou un technicien du service après-vente.

## Procédure additionnelle de mise à la terre

Certaines réglementations locales peuvent exiger un raccordement à part à la terre. En pareils cas, vous devrez acheter séparément les accessoires requis : le fil de terre, la bride et la vis.

Ne raccordez jamais l'appareil à des conduites en plastique, conduites de gaz ou conduites d'eau.

---

## Raccordement de l'eau

### ATTENTION:

Ne raccordez l'appareil qu'à l'eau potable !

Il faut un raccordement à l'eau froide pour que le distributeur automatique de glaçons puisse fonctionner. La pression de l'eau doit être comprise entre 25 et 120 psi (1,72 et 8,25 bar).

Dans le cadre du raccordement de l'eau à l'appareil, il faut installer une vanne de fermeture séparée.

N'utilisez jamais de vanne autotaraudeuse !

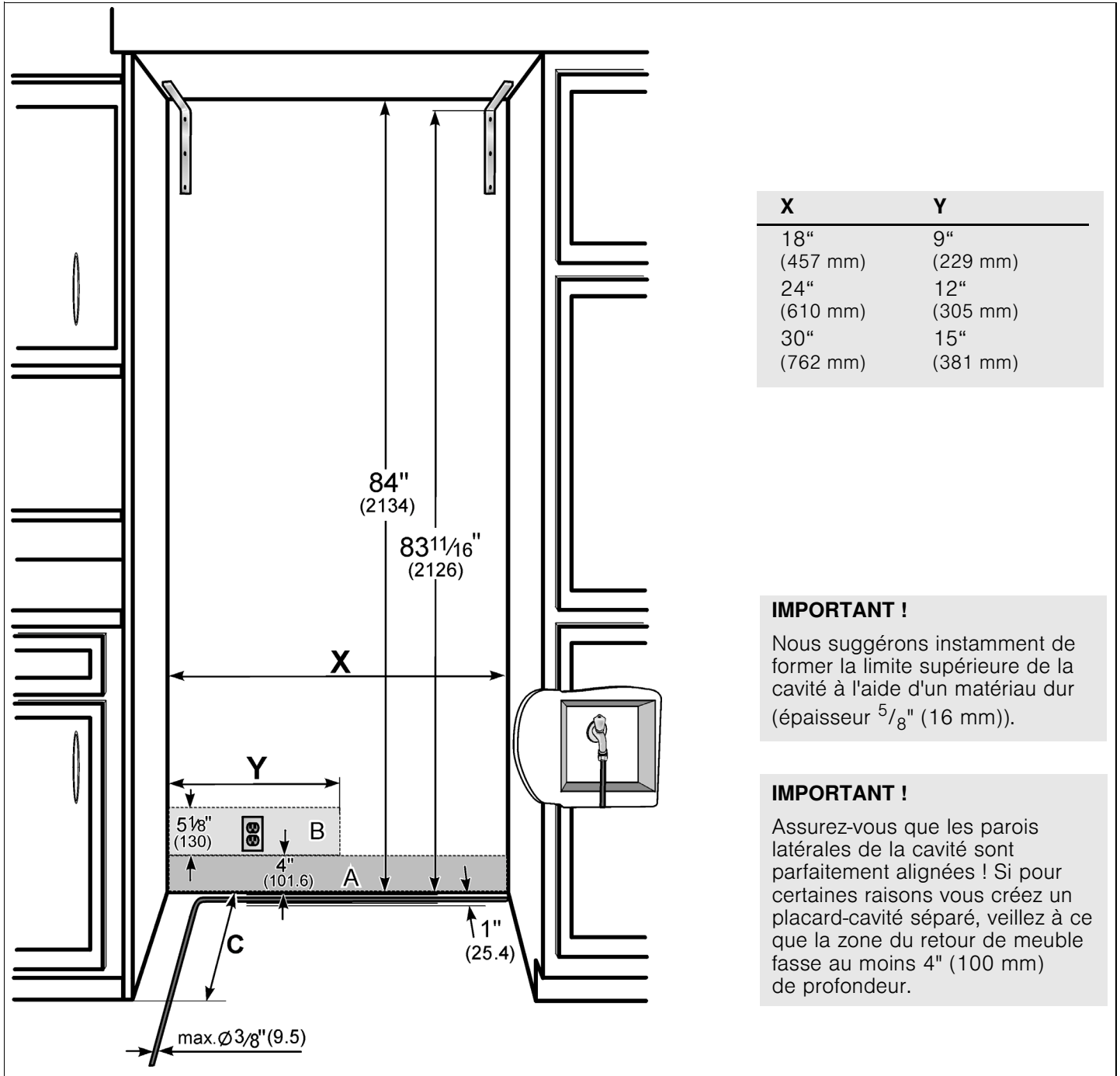
Cette vanne de fermeture ne doit pas se trouver derrière l'appareil. Il est recommandé de la placer directement à côté de l'appareil (unité de base) ou en tout autre endroit facile d'accès.

Lors du raccordement de l'eau, examinez les zones d'installation admises pour la conduite. En ce qui concerne les zones d'installation permises et les dimensions, reportez-vous à la section intitulée «Dimensions d'installation».

Il est possible de placer la conduite d'alimentation sur le côté droit (a), sur le côté gauche (b) ou en dessous (c).

Diamètre externe maximum de la conduite d'eau (sans les robinetteries) :  $\frac{3}{8}$ " (9,5 mm).

## Dimensions d'installation



### Légende :

A Représente la zone où installer le raccordement de l'eau.

Nous recommandons de placer la boîte à eau à côté de la cavité d'installation de façon à pouvoir l'atteindre, lors d'activités de maintenance, sans devoir désinstaller l'appareil. Si ce n'est pas possible, placez la boîte à eau dans la zone foncée.

B Représente la zone où installer le raccordement de l'électricité.

C Profondeur d'ouverture de la cavité, ceci dépendant de la configuration de la cuisine.

C = 24" (610 mm) minimum.

## Accessoires et outillage requis

### Accessoires fournis

- Instructions d'installation
- Instructions d'utilisation
- Kit d'installation

### Accessoires en option

#### Kit de jointoiment pour combinaison de base côte à côte

Ce kit permet le raccordement permanent de deux appareils individuels, par exemple d'un congélateur à côté d'un réfrigérateur.

#### Kit de chauffage pour combinaison de base côte à côte XHEATKIT10

Si l'espace vide entre les appareils est inférieur à 6" (160 mm)

#### Pièce d'union des panneaux (bande métallique) FPCONNBF10

Elle sert à raccorder deux portes de meuble. Utilisable, sans autre travail préparatoire, avec les portes de meuble d'une hauteur standard.

### Autres accessoires requis

#### Kit d'installation de distributeur de glaçons, conduite en cuivre de 1/4" de diamètre extérieur

Ce kit sert à raccorder les appareils qui ont besoin d'eau, par exemple pour alimenter un distributeur de glaçons.

### Autres

- Escabeau
- Socle mobile, diable brouette
- Perceuse à percussion pour percer des trous dans le mur ou le sol
- Forets adaptés aux matériaux et de différentes dimensions
- Madrier (section minimum 3" x 4") à titre de protection alternative contre le renversement, d'une longueur correspondant à la cavité d'installation
- Vis à bois de différentes tailles
- Matériau mince pour protéger le revêtement de sol (en linoléum par exemple) contre les dégâts
- Matériau approprié pour recouvrir et protéger les meubles (par ex. feuilles protectrices).
- Ruban adhésif

#### Remarque:

Avant l'utilisation, vérifiez si le ruban adhésif laisse des traces de colle sur les surfaces des pièces ! S'il en laisse, ne l'utilisez pas sur les surfaces de haute qualité.

### Outils



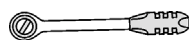
Visseuse sans cordon



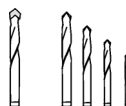
Embout Torx T20 / T30 + support magnétique



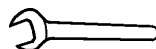
Tournevis Torx T20



Clé à pipe 5/16" (8 mm) pour écrou hexagonal



Forets à bois de différentes tailles



Clé à fourche 1/2", calibre 13



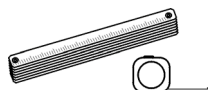
Pince multiprises



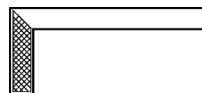
Clé anglaise



Cutter à lame ajustable



Mètre pliant, mètre à ruban métallique



Équerre



Niveau à bulle de 2' (60 cm) et 4' (1,2 m)



## Instructions d'installation

La notice de montage suivante décrit les étapes de montage pour différents types d'appareils :

- Unités de réfrigération
- Unités de congélation
- Unités de congélation avec distributeur de glaçons
- Unités de congélation avec distributeur de glaçons et d'eau
- Unités caves à vin

Pour cette raison et selon les circonstances, il peut arriver que le contenu des illustrations ne corresponde pas exactement avec les appareils réels.

La notice décrit les étapes de montage spécifiques à certains types d'appareils.

### 1. Vérification de la cavité d'installation

#### **ATTENTION:**

Pour une installation sûre et sans contretemps, utilisez la check-list suivante :

1. Vérifiez le sol.  
Suivez les instructions dans la section «Lieu d'installation».
2. Vérifiez la dimension de la cavité.  
Suivez les instructions dans la section « Dimensions d'installation».
3. Vérifiez que la cavité présente des angles droits.
4. Vérifiez l'emplacement de la prise.  
Respectez également les instructions dans la section « Raccordement à l'alimentation électrique », ainsi dans la section « Dimensions d'installation ».
5. Vérifiez l'emplacement du branchement de l'eau (uniquement pour les appareils équipés d'un distributeur de glaçons).  
Respectez également les instructions dans la section « Raccordement de l'eau », ainsi dans la section « Dimensions d'installation ».  
Vérifiez la fixation des meubles/appareillages adjacents. Toutes les pièces constitutives d'un meuble à proximité de l'appareil doivent être fixées de manière sûre contre le mur.
6. Vérifiez la fixation des meubles/appareillages adjacents. Toutes les pièces constitutives d'un meuble à proximité de l'appareil doivent être fixées de manière sûre contre le mur.
7. Vérifiez que les meubles/appareillages adjacents n'entreront pas en collision (angle d'ouverture de porte).

### 2. Enlèvement de l'emballage

#### **AVERTISSEMENT:**

Soyez prudent, sinon les personnes qui vous aident risquent de se blesser et l'appareil risque quant à lui de s'endommager !

- L'appareil risque de se renverser pendant son déballage ou si vous ouvrez ses portes.
- L'appareil est très lourd.

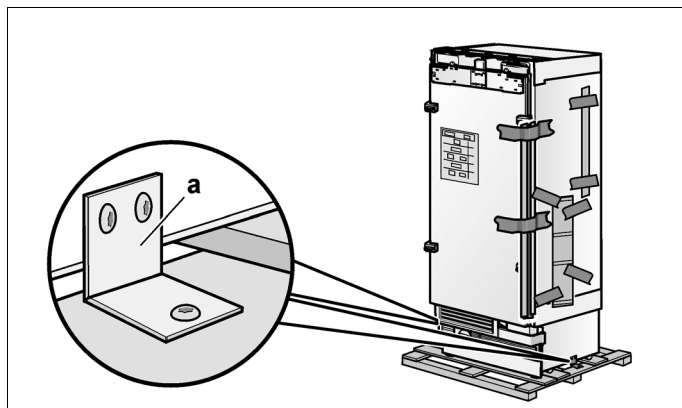
#### **Remarque:**

Vérifiez si l'appareil présente des dégâts dus au transport.

Si l'appareil présente des dégâts visibles, ne l'installez pas. En cas d'incertitudes, veuillez prendre contact avec le revendeur.

Pour protéger le sol contre les dégâts pendant l'installation :

1. Enlevez le carton. Utilisez le cutter avec prudence pour ne pas endommager les surfaces de l'appareil.
2. Placez sous l'appareil du carton d'emballage ou du contreplaqué.
3. Retirez les accessoires fixés contre l'extérieur de l'appareil.  
Conservez les rubans adhésifs avec lesquels les accessoires d'origine étaient fixés contre l'appareil. Ils serviront plus tard à fixer les protège-bords contre les parois de cavité (voir section « **A** / 3. Fixation du protège-bords »).
4. Détachez la cale de transport (a) et soulevez l'appareil de la palette – Attention, il est très lourd !



- Ouvrez prudemment l'appareil – Attention, il risque de se renverser – et retirez les accessoires ainsi que la quincaillerie de montage présente à l'intérieur. Refermez la porte.

**Remarque:**

N'enlevez les cales de transport, servant à protéger les tiroirs et casiers de rangement dans l'appareil, qu'après avoir achevé l'installation, car ces pièces risquent sinon d'être endommagées.

### 3. Transport de l'appareil

**⚠ AVERTISSEMENT:**

Soyez prudent sinon les assistants risquent de se blesser ou l'appareil de s'endommager.

L'appareil est très lourd !

L'appareil fait 83<sup>1</sup>/<sub>8</sub>" (2126 mm) de haut. Si le transport en position debout n'est pas possible du fait de la configuration du lieu, il est possible de le transporter couché.

**Remarque:**

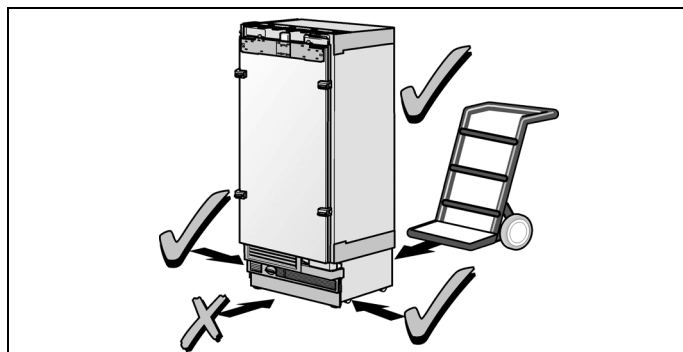
Ne soulevez pas l'appareil par les panneaux latéraux ! Risque d'endommagement !

Au moment de redresser l'appareil, respectez la hauteur minimum nécessaire sur le lieu d'installation, ainsi que le contenu du tableau suivant :

Redressement via le dos de l'appareil	Redressement via les panneaux latéraux de l'appareil
Hauteur minimum 86" / 2185 mm	Ne soulevez pas l'appareil par les panneaux latéraux !

**Remarque:**

Appliquez toujours le moyen de transport au dos de l'appareil. Ne le passez jamais sous l'avant ou sous un côté de l'appareil. Vous risquez sinon d'endommager l'appareil.

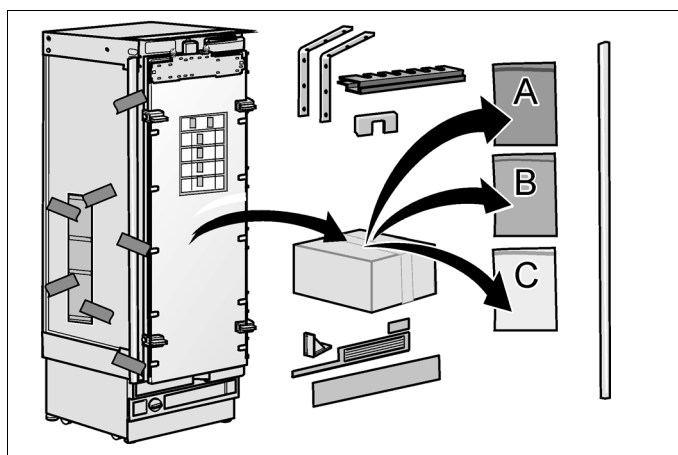


- Transportez l'appareil avec un moyen de transport approprié au lieu d'installation et à l'appareil (diable, chariot élévateur ou chariot à roulettes).
- Sécurisez l'appareil pour empêcher son renversement pendant le transport.

### 4. Préparation du montage

Déballez la quincaillerie de montage et les accessoires.

Pour simplifier l'installation, les paquets sont identifiés par les étiquettes A, B et C qui renvoient aux sections correspondantes du manuel.



### 5. Installation spéciale

Ce symbole indique des étapes de travail supplémentaires à effectuer avant de passer au chapitre suivant.

Les étapes d'installation spéciales sont décrites au-delà de la section C.



- Inversion du sens d'ouverture de porte, voir « Inversion du sens d'ouverture des portes ».
- Tapis d'étanchéité, voir « Enlèvement/transfert du tapis d'étanchéité »
- Installation côte à côte, voir « Installation côte à côte ».
- Raccordement de l'eau, voir « Préparation du raccordement de l'eau » et « Raccordement de l'eau à l'appareil ».
- Distributeur d'eau glacée, voir « Alignement du distributeur de glaçons et d'eau » .
- Baguettes couvre-joints pour une cave à vin, voir « Fixation des baguettes couvre-joints »
- Tige butée de porte, voir « Ajustage de l'angle d'ouverture de porte ».

## 1. Fixation des cornières anti-renversement

### ⚠ AVERTISSEMENT:

Risque de blessures et d'endommagement !  
Veillez à ce qu'il n'y ait aucun fil électrique ou conduite dans lesquels les vis risqueraient de pénétrer.

### ⚠ ATTENTION:

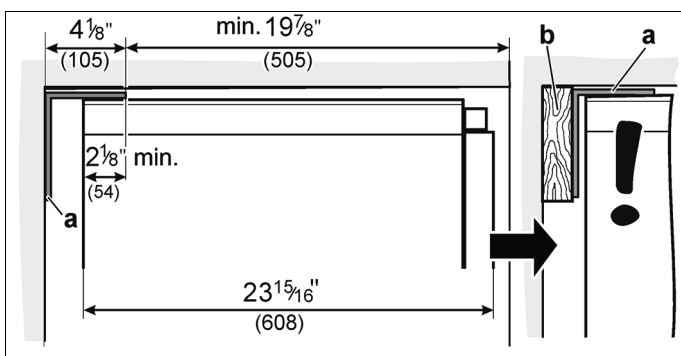
Risques de blessures !  
Portez toujours des lunettes enveloppantes ou d'autres dispositifs et équipements de protection nécessaires lorsque vous installez des ancres ou travaillez avec des ancrés.

#### Remarque:

- Chaque appareil requiert 2 cornières anti-renversement.
- Le kit fourni contient des vis de fixation destinées à différentes applications. Sélectionnez les vis de fixation conformément aux conditions locales.

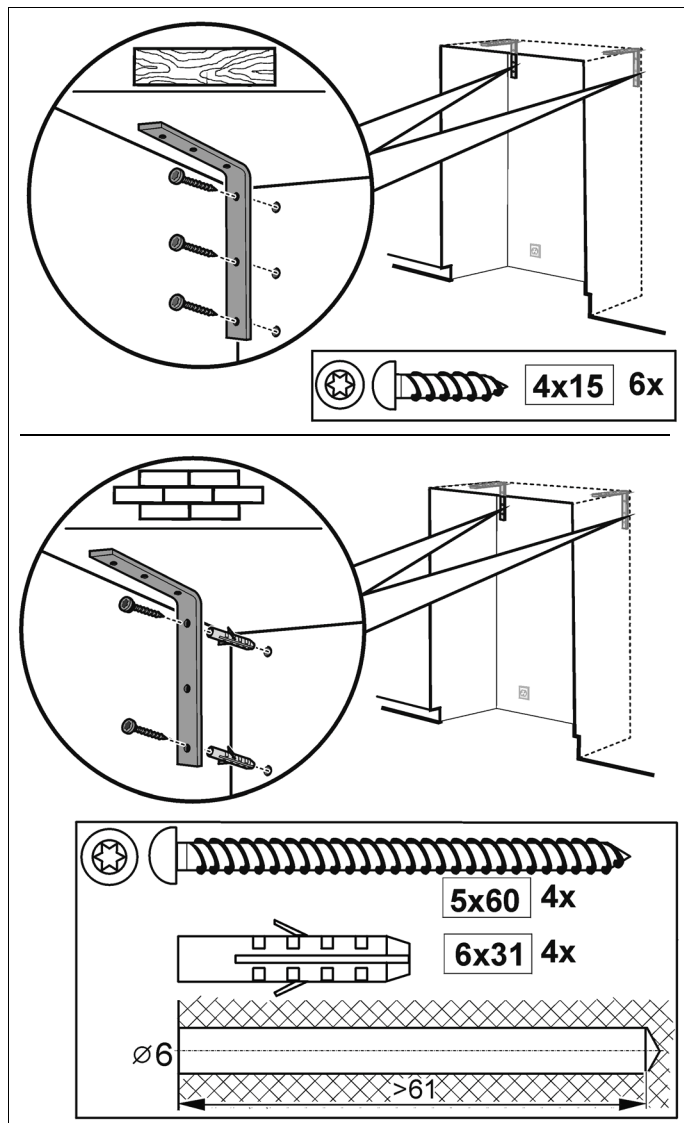
Pour retenir les appareils sûrement à la verticale, les cornières anti-renversement (a) doivent les retenir par une longueur d'au minimum  $2\frac{1}{8}$ " (54 mm).

Si les impératifs structurels empêchent de respecter cette longueur minimum, il est malgré tout possible d'y parvenir en intercalant un dispositif compensateur derrière la cornière anti-renversement, une planche suffisamment épaisse (b) par exemple.



Il faudrait que la longueur de la planche corresponde à la largeur de la cavité d'installation !

1. Définissez les points de fixation des cornières anti-renversement.  
Déterminez les dimensions détaillées conformément à la section « Dimensions d'installation ».
2. Fixez complètement les cornières anti-renversement. Assurez-vous que les vis tiennent fermement.



#### Remarques importantes visant la fixation par chevilles et vis :

Ancres déconseillées dans la maçonnerie légère ou dans des matériaux tels que les parpaings ou les briques.

Ancres déconseillées dans le béton neuf qui n'a pas encore eu le temps de prendre.

## 2. Fixation d'un dispositif anti-renversement alternatif

#### Remarque important :

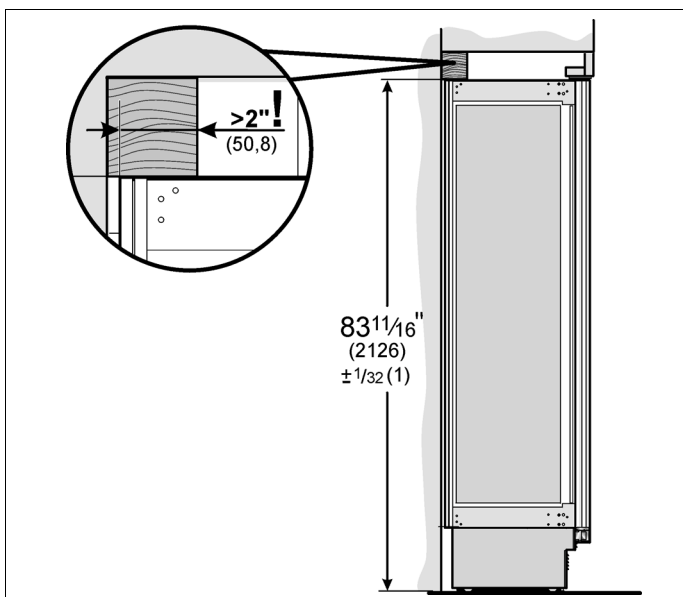
S'il n'est pas possible de fixer les cornières anti-renversement de manière sûre, vous pouvez fixer un dispositif anti-renversement alternatif. Toutefois, veillez à ce qu'il n'y ait pas de jeu entre l'appareil et le dispositif anti-renversement. Si possible, vissez toujours le madrier contre les tenons préexistants situés sur le panneau arrière de la cavité.

1. Sciez le madrier (section minimum 3" x 4") à la longueur requise.

La longueur est égale à la largeur de la cavité d'installation !

**Remarque:**

- Si la cavité d'installation est plus profonde que l'appareil, sélectionnez un madrier qui présente une plus forte section ou fixez 2 madriers l'un contre l'autre.
- Le madrier doit recouvrir l'appareil sur au moins 2" (50,8 mm).



2. Sur le panneau arrière de la cavité, marquez la hauteur de l'installation (bord inférieur du madrier).
3. Sélectionnez les vis conformément à l'épaisseur du madrier : longueur = 2,5 min. x épaisseur du madrier, diamètre #12 ou #14.

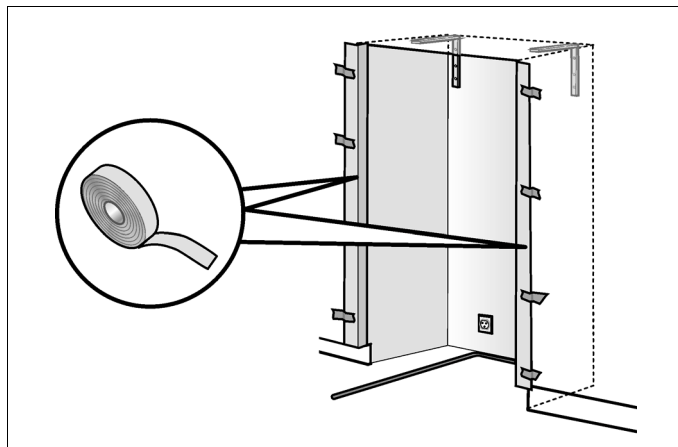
**Remarque:**

Déterminez le nombre de vis en fonction de la largeur de la cavité, en veillant à ce que le madrier puisse être fixée de manière sûre.

4. Suivant la nature de la surface support :  
Recherchez des supports dans la paroi arrière de la cavité et percez les trous dans le madrier en fonction de la position de ces supports.  
ou bien  
Fixez des chevilles appropriées dans la paroi arrière.
5. Percez des trous préparatoires dans le madrier.
6. Fixez le madrier contre le panneau arrière de la cavité.

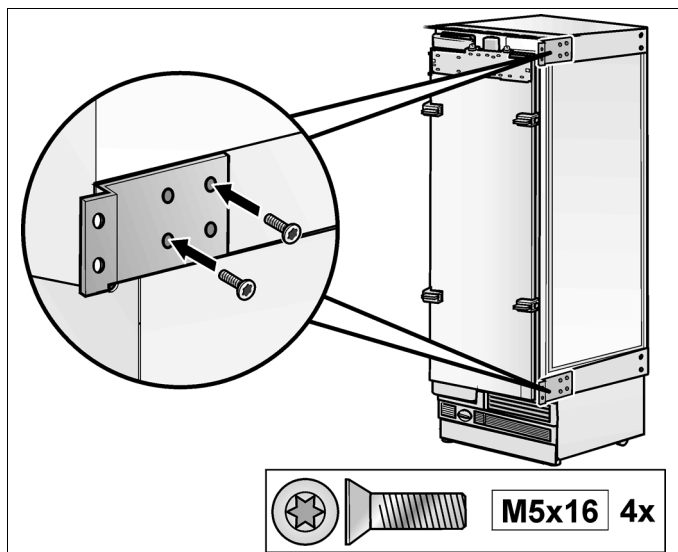
### 3. Fixation du protège-bords

Pour protéger les arêtes de la cavité d'installation, il est recommandé d'utiliser des protège-bords en matériau approprié.



### 4. Fixez les pattes de fixation (latérales)

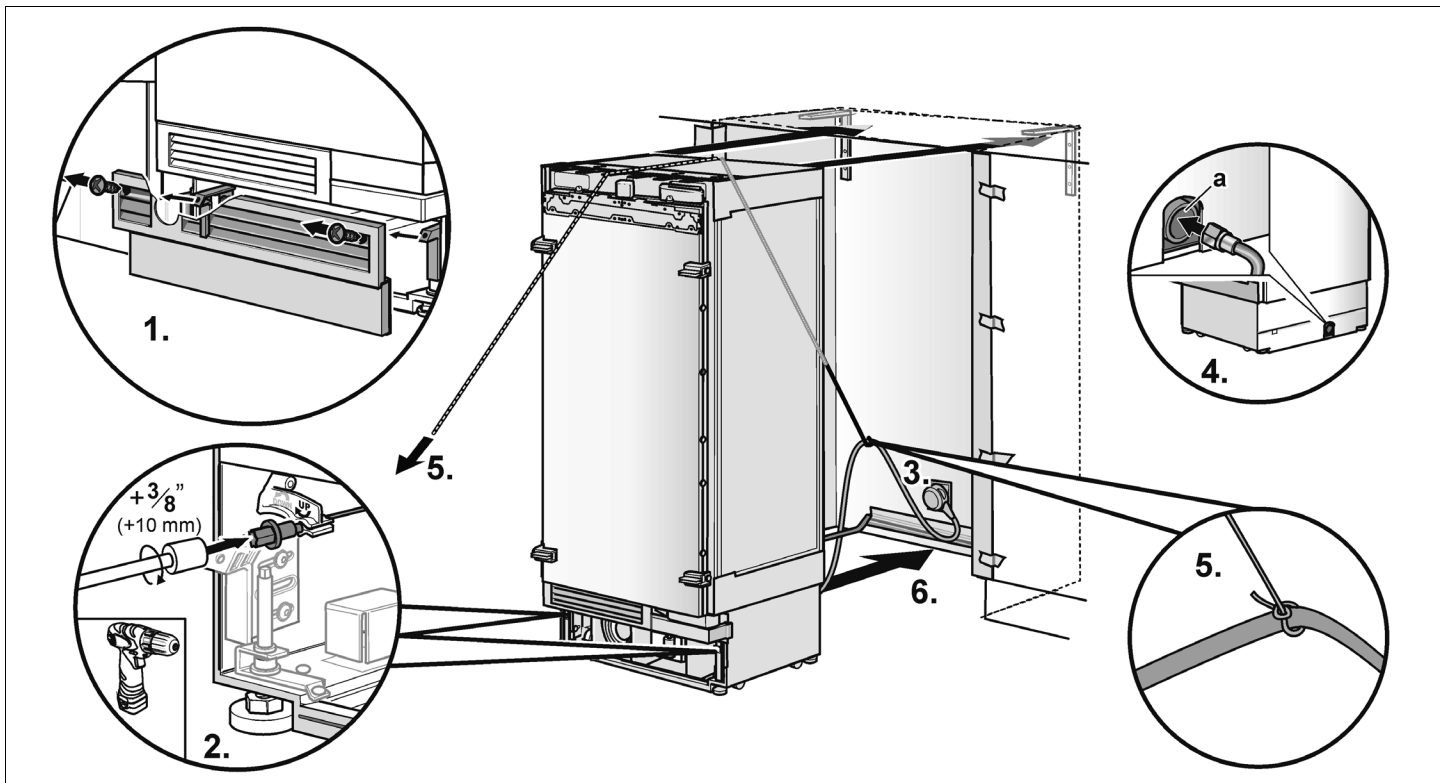
Fixez les pattes de fixation (latérales) contre l'appareil.



Il s'agit d'étapes d'installation spéciales. Des instructions sont fournies au-delà de la section C.

- Inversion du sens d'ouverture de porte, voir « Inversion du sens d'ouverture des portes ».
- Tapis d'étanchéité, voir « Enlèvement/transfert du tapis d'étanchéité ».
- Installation côte à côte, voir « Installation côte à côte ».
- Raccordement de l'eau, voir « Préparation du raccordement de l'eau ».

## 5. Pousser l'appareil dans la cavité d'installation



### ⚠ ATTENTION:

Prudence lorsque vous poussez l'appareil dans la cavité d'installation. Veillez bien à ne pas endommager la conduite d'eau ou le cordon d'alimentation électrique.

### Remarque:

Si le plancher ou l'appareil n'est pas horizontal par rapport à la cavité d'installation, ajustez les roues réglables en hauteur avant d'introduire l'appareil dans la cavité d'installation.

1. Retirez le bandeau de socle.
2. A l'arrière, soulevez d'environ  $\frac{3}{8}$ " (10 mm) les roues ajustables en hauteur.
3. Branchez la fiche mâle dans la prise de courant.
4. Au dos de l'appareil, poussez le flexible à eau dans le tube de protection (a).

### ⚠ AVERTISSEMENT:

Opérez prudemment car les gens qui aident risquent d'être blessés ou l'appareil risque de s'endommager.

L'appareil risque de se renverser tandis que le flexible à eau pousse dans le tube de protection.

5. Pour empêcher que le cordon électrique ne se coince, nouez une corde à mi-chemin du cordon puis faites passer la corde par dessus l'appareil. Au moment de pousser l'appareil, tirez le cordon électrique vers le haut. Veillez bien à ne pas pincer le cordon électrique.

Ou bien

Prenez du ruban adhésif, collez le cordon d'alimentation électrique contre le plancher, au centre derrière l'appareil, à env. 15" (380 mm) du panneau arrière de la cavité.

6. Poussez doucement l'appareil dans la cavité d'installation.
7. Retirez les protège-bords (s'ils avaient été fixés).

## 1. Alignement de l'appareil dans la cavité d'installation

### Remarque:

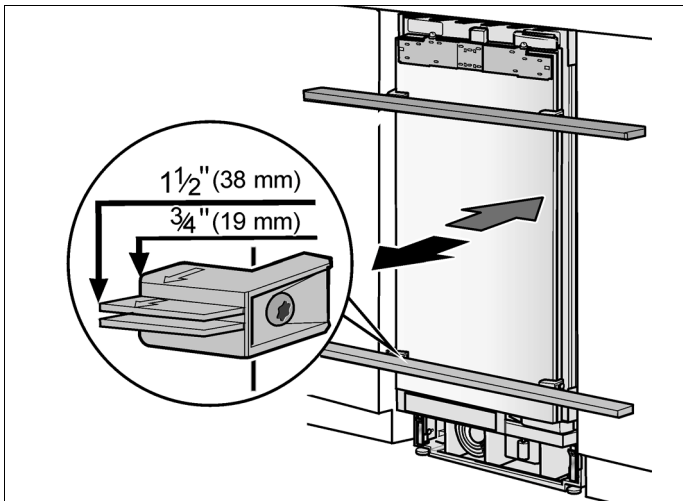
- Pour assurer que l'appareil fonctionne correctement, il faut le niveler impeccablement.
- Ne voilez pas ni ne poussez pas l'appareil de force dans la cavité ! Lorsque vous dévissez les pieds réglables en hauteur, procédez graduellement : alternez en permanence entre les côtés gauche et droit, etc.
- Si vous délestez l'arrière de l'appareil, l'ajustage de ses pieds arrière réglables est plus facile.
- L'appareil ne doit pas arriver en position penchée contre les cornières anti-renversement.

Ces pièces d'aide à l'installation ont été conçues pour des portes de meuble faisant l'épaisseur totale suivante :

- $\frac{3}{4}$ " (19 mm)
- $1\frac{1}{2}$ " (38 mm)

Tenez toujours compte de l'épaisseur, peut-être différente, des façades de meuble qui devront être installées par la suite.

1. Alignez l'appareil sur la façade des meubles.  
Placez le niveau à bulle sur les règles situées sur la porte et servant d'aide à l'installation.



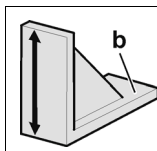
Les pieds réglables en hauteur équipant l'avant et l'arrière de l'appareil se laissent régler depuis l'avant de l'appareil.

Avant : A l'aide d'une clé à fourche  $\frac{1}{2}$ " (calibre 13).

Arrière : A l'aide d'un tournevis à douille  $\frac{5}{16}$ " (8 mm) via une queue flexible.

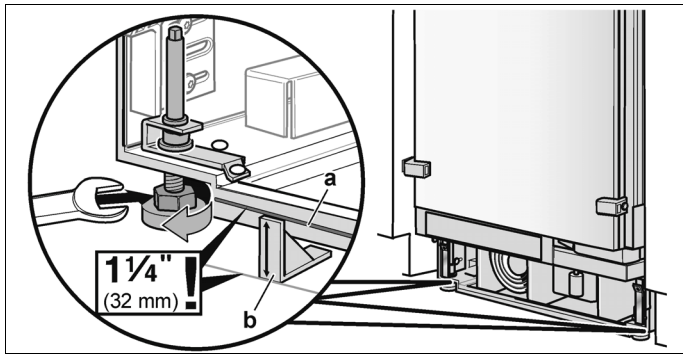
A titre de cote de référence pour l'ajustage en hauteur, une marque (a) a été apposée contre la base de l'appareil. Lors de l'ajustage, il faudra amener cette marque sur une hauteur de  $1\frac{1}{2}$ " (32 mm) au-dessus du sol.

Il est très important de respecter cette dimension pour pouvoir ensuite aligner les façades des meubles.

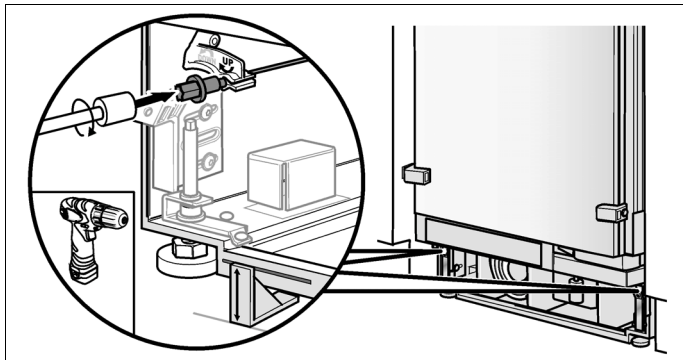


Le gabarit d'ajustage en hauteur (b) sert à régler la hauteur correctement. Il faut que le bord supérieur du gabarit soit aligné sur le marquage figurant sur l'appareil.

2. Dévissez un peu les pieds à l'avant de l'appareil jusqu'à ce que le repère (a) sur ce dernier soit aligné sur le bord supérieur du gabarit d'ajustage en hauteur (b).



3. Alignez verticalement l'appareil par ses pieds arrière. Utilisez un niveau à bulle !

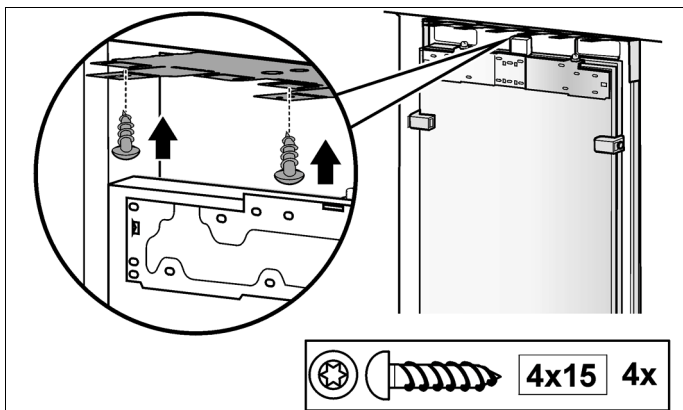


## 2. Fixation de l'appareil dans la cavité d'installation

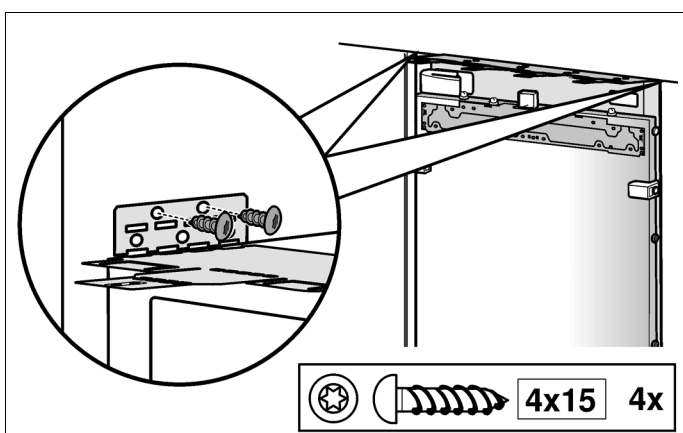
### Remarque:

Il est d'une importance cruciale de fixer l'appareil contre le plafond de la cavité d'installation.

1. Vissez les pattes de fixation (en haut) contre le meuble/les appareillages du dessus.
2. En présence d'une cavité assez importante au dessus de l'appareil, montez impérativement un madrier aux dimensions adaptées et sans jeu au dessus de l'appareil.



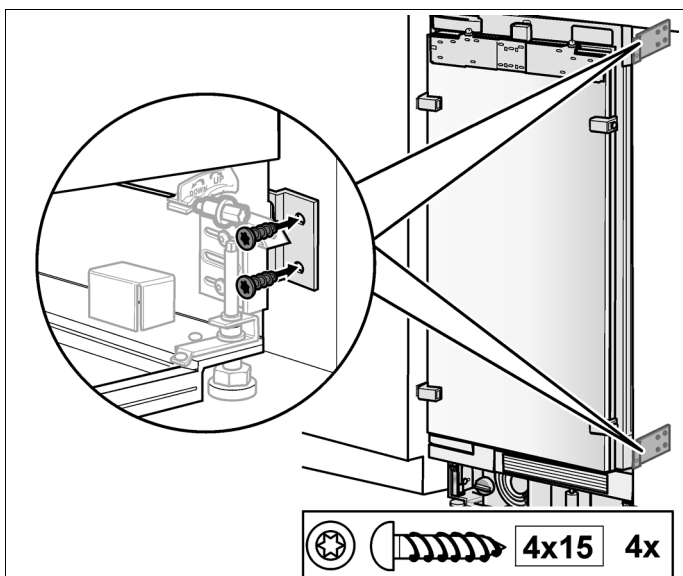
3. S'il y a suffisamment de place au dessus de l'appareil, fixez les pattes latérales (supérieures) de la plaque de montage contre chaque côté de la cavité.



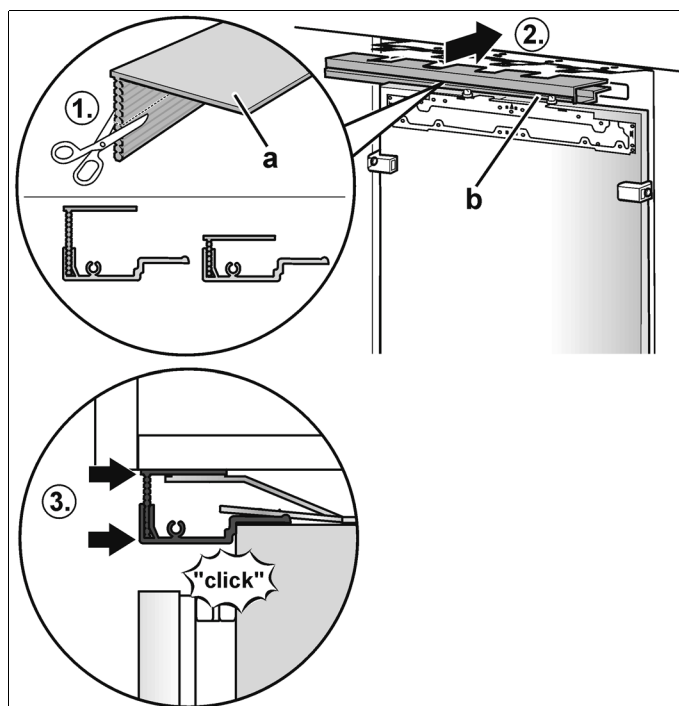
4. Vissez les pattes de fixation (latérales) contre le meuble/les appareillages adjacents (uniquement dans le cas d'un appareil individuel).

**REMARQUE :**

Dans un montage côte à côte, cette étape de montage. Ces pièces sont démontées.



5. Raccourcissez le bandeau d'ajustage (a) à la hauteur voulue pour combler l'interstice.  
 6. Enfoncez le bandeau d'ajustage (a) dans la baguette couvre-joints.  
 7. Fixez la baguette couvre-joints (b) contre la plaque de montage (en haut).



**Remarque:**

Dans le cas d'une installation côte à côte, connectez les deux profilés de recouvrement au boulon compris dans les accessoires destinés à l'installation côte à côte.



Il s'agit d'étapes d'installation spéciales. Des instructions sont fournies au-delà de la section C.

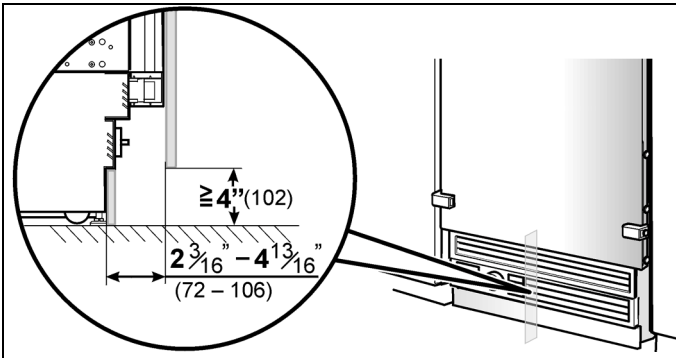
- Raccordement de l'eau, voir « Raccordement de l'eau à l'appareil ».

## 1. Fixation du bandeau de socle

### Remarque:

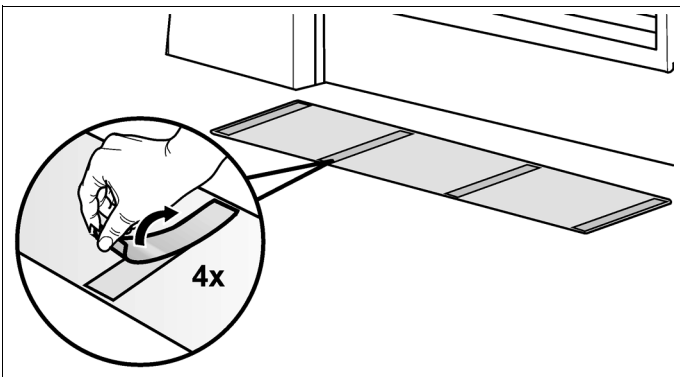
Risque d'endommager l'appareil. Ne recouvrez pas les ouïes de ventilation que comporte le panneau de base.

Dimensions nominales à respecter :

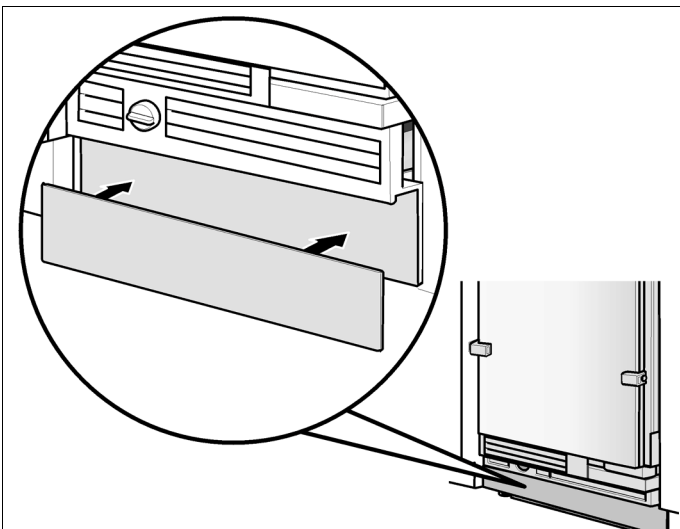


### Panneau en acier inoxydable (accessoire)

1. Fixez le panneau de base contre l'appareil (ne le vissez pas dessus).
2. Retirez la pellicule protectrice des bandes adhésives.



3. Présentez le panneau de socle devant le panneau de base et poussez fermement pour le fixer.

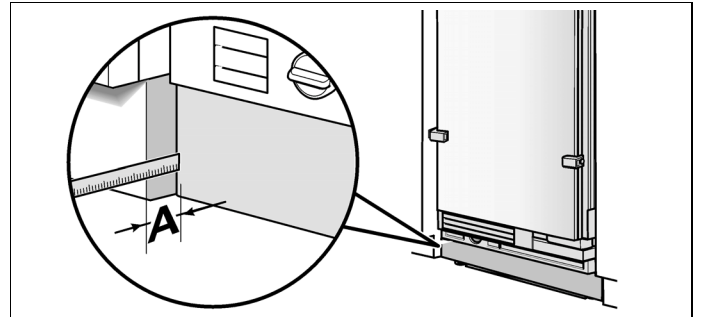


## Panneau en bois

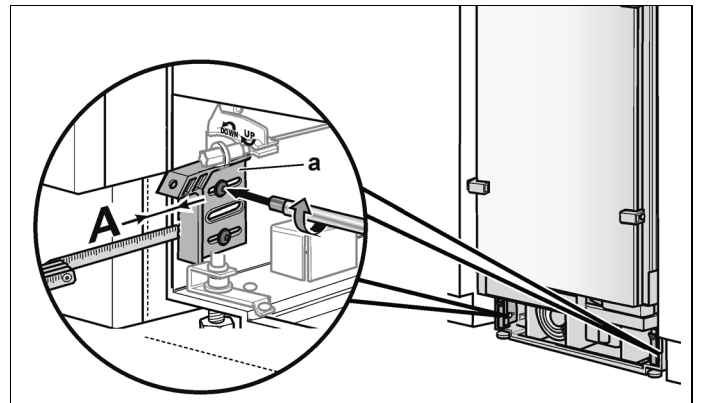
1. Si nécessaire, raccourcissez le panneau de bois à la longueur requise.
2. Par l'arrière, vissez le panneau de bois contre le panneau de base. Des trous taraudés ont été prévus à cette fin dans le panneau de base.

## 2. Alignement du bandeau de socle

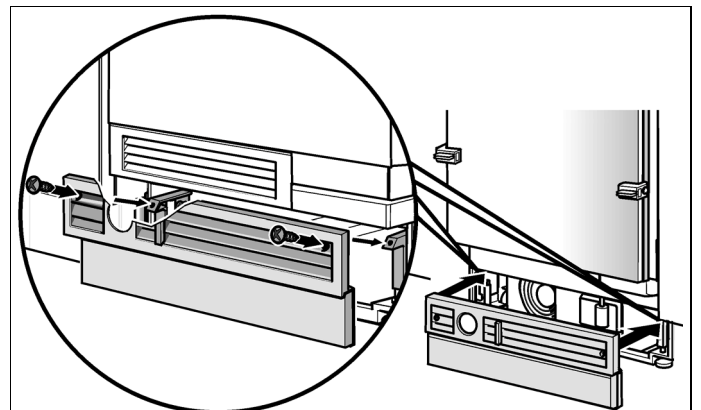
1. Placez le panneau de base (sans visser) puis mesurez la différence de profondeur **A** entre le panneau de base et le bandeau de socle sur le meuble adjacent.



2. Retirez le panneau de base.
3. Ajustez les brides (a) aux dimensions **A** puis vissez à fond.



4. Fixez le bandeau de socle contre l'appareil.





### 3. Mise en service de l'appareil

Pour garantir la précision des étapes de travail suivantes et donc de l'ensemble de la physionomie ultérieure de la façade de la cuisine, il faut mettre l'appareil en service maintenant.

1. Ouvrez la porte de l'appareil.
2. Appuyez sur le bouton POWER.
3. Appuyez à nouveau sur le bouton POWER pour éteindre.

#### Seulement pour les appareils qui requièrent un raccordement à l'eau courante :

Pour éviter tout risque de dégâts des eaux en cas d'endommagement de la conduite d'arrivée d'eau, le robinet d'obturation doit rester en position fermée.

### 4. Préparation des portes de meubles

#### Remarque important:

Lorsque vous effectuez tous travaux sur les portes des meubles, veuillez tenir compte de ceci :

- Vissez toujours dans le matériau, constitutif de la porte, le mieux capable de supporter la charge.
- Sélectionnez toujours une longueur de vis inférieure à l'épaisseur de la façade du meuble.
- Ne vissez jamais dans les garnitures de remplissage, baguettes enjoliveuses ou assimilées.
- Pour prévenir les dégâts, protégez les surfaces du meuble pendant l'installation.

Le poids total de la façade de meuble ne doit pas dépasser les valeurs suivantes :

- Appareil de 18" : 44 lbs/20 kg (19 lbs/8,5 kg \*)
- Appareil de 24" : 55 lbs/25 kg (32 lbs/14,5 kg \*)
- Appareil de 30" : 64 lbs/29 kg

(\* Cave à vin)

Dans le cas des appareils faisant 30" et 36" de largeur, il est possible de fixer 2 portes de meuble adjacentes à la place d'une seule porte de grande largeur. Ces portes de meubles doivent être réunies l'une à l'autre par un bandeau métallique contre leur dos.

Ce bandeau est en vente auprès du service après-vente en tant qu'accessoire en option. Voir la section intitulée « Accessoires et outillage requis ».

#### Remarque:

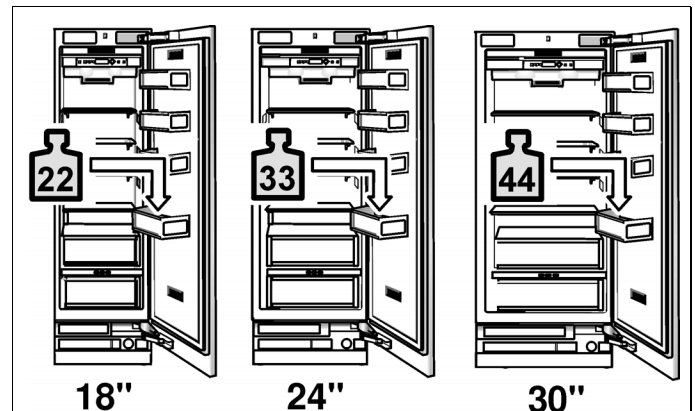
Les instructions servant à accomplir cette étape de travail figurent dans la notice d'installation séparée accompagnant cet accessoire.

### 5. Application d'une charge à la porte de l'appareil

Pour parvenir à la plus haute précision possible des cotes interstitielles lors de la fixation des portes de meuble, nous recommandons de mettre des poids dans les casiers en contre-porte.

Recommandations:

- Appareil de 18" : 22 lbs/10 kg
- Appareil de 24" : 33 lbs/15 kg
- Appareil de 30" : 44 lbs/20 kg

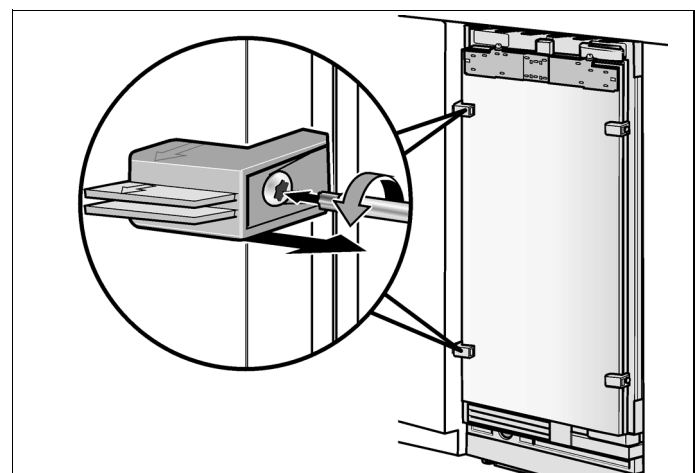


### 6. Enlever l'accessoire de positionnement

De la porte de l'appareil, dévissez la pièce support d'installation.

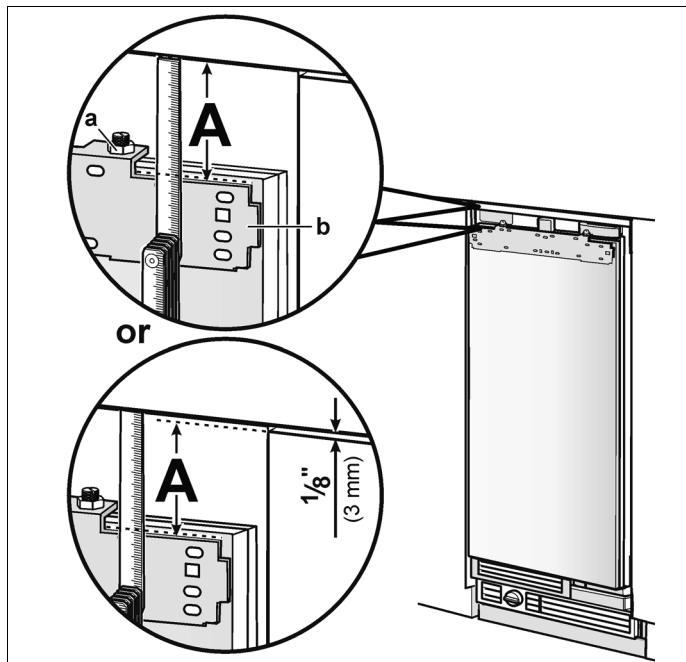
#### Remarque:

Conservez les accessoires d'aide au positionnement, vous en aurez encore besoin dans la suite du montage.

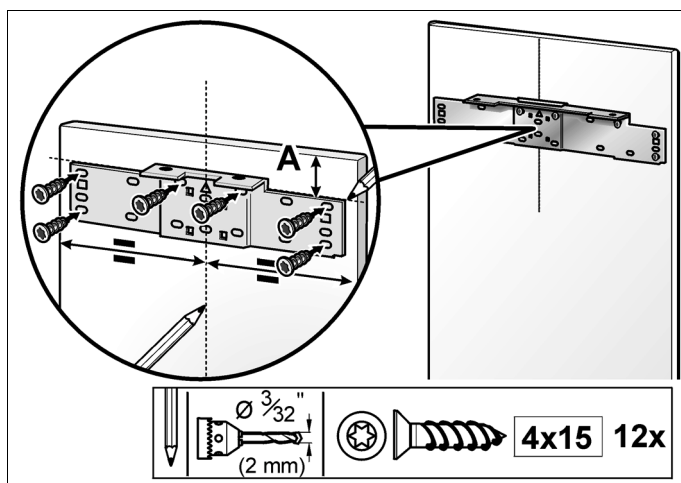


## 7. Fixation du rail d'ajustage contre la porte du meuble

1. Mesurez la distance **A** entre le rail d'ajustage et le meuble/les appareillages situés au-dessus.



2. Desserrez les 2 écrous (a) et retirez le rail d'ajustage (b).
3. Marquez cette distance **A** au dos de la porte du meuble.
4. Déterminez et marquez le centre de la porte du meuble.
5. Montez le rail d'ajustage et alignez le long des marquages. Marquez les emplacements des trous de perçage.
6. Percez les trous.
7. Vissez à fond le rail d'ajustage.



### Remarque:

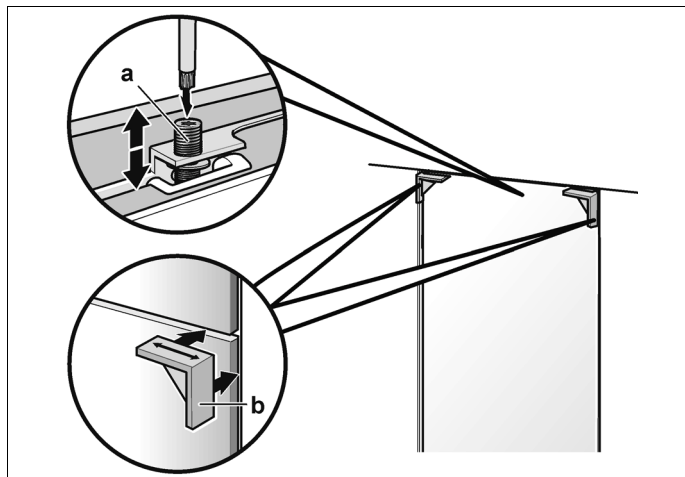
- Vissez le rail d'ajustage contre la porte du meuble à l'aide d'au moins 10 vis. Il faudrait insérer chaque vis sous chaque boulon à double filetage.
- Le rail d'ajustage comporte un ensemble de trous adaptés à différentes options de configuration des portes de meuble. Vissez toujours dans le matériau de la porte de meuble le mieux en mesure de supporter la charge.

## 8. Montage des bandes de fixation contre le panneau de porte

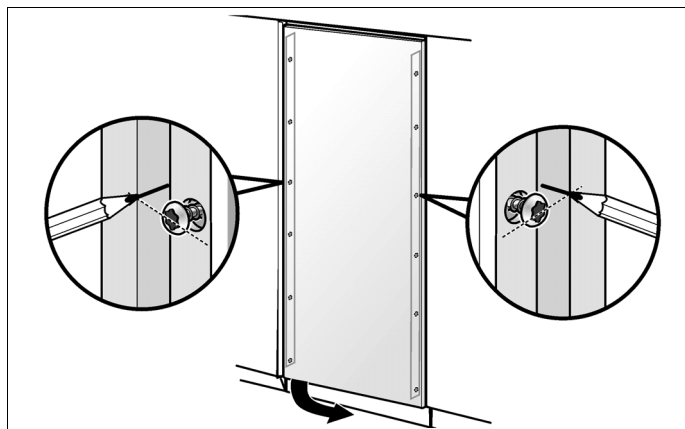
### Remarque:

Les bandes de fixation sont préassemblées pour les portes en acier inoxydable. Dans ce cas, passez à l'étape d'installation suivante (« **C** / 9. Fixation de la porte de meuble »).

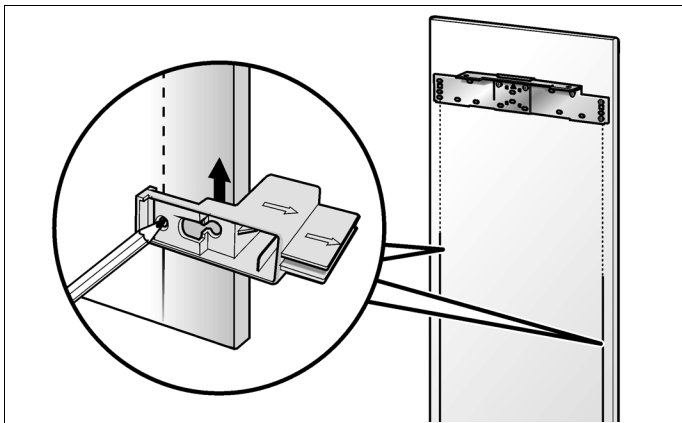
1. Accrochez la porte du meuble contre le boulon à double filetage (a).
2. Alignez la porte du meuble à l'aide des boulons à double filetage (tournevis Torx). Vérifiez continuellement les dimensions de l'interstice. Utilisez le gabarit d'ajustage en hauteur (b).



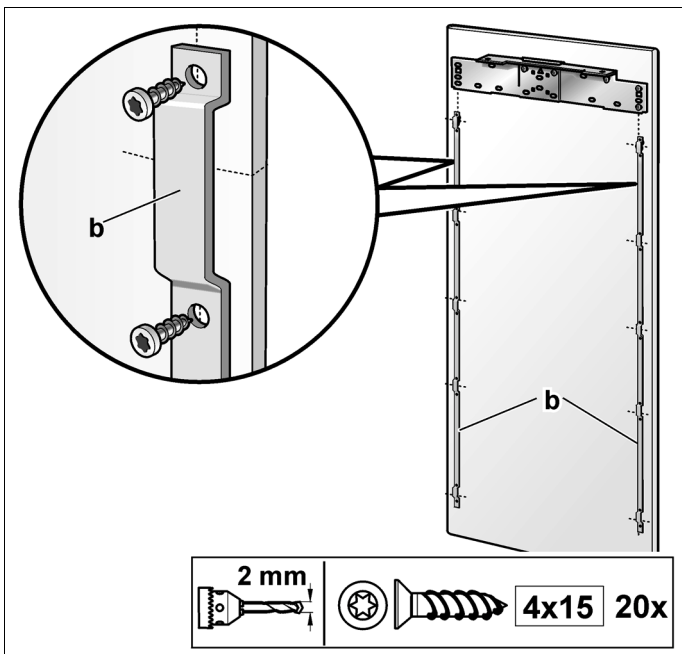
3. Reportez les trous de perçage médians, situés le long du bord extérieur de la porte de l'appareil, contre la façade du meuble et marquez-les.



4. Retirez la porte du meuble.
5. A l'aide de l'accessoire d'aide au positionnement, tracez une ligne parallèle à chaque côté longitudinal de la porte du meuble



6. A l'aide d'une équerre, reliez les marquages (que vous venez d'effectuer) des trous de perçage avec les marquages verticaux.
7. Appliquez la baguette de fixation et marquez l'emplacement des trous.
8. Percez les trous de fixation.
9. Dans les trous, vissez les baguettes de fixation.

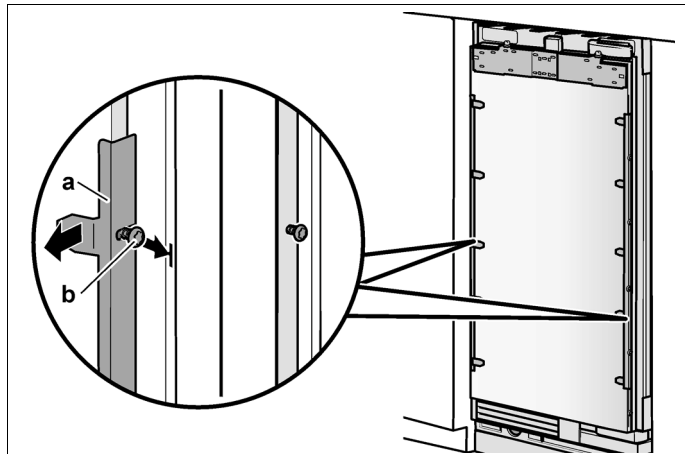


## 9. Fixation de la porte de meuble

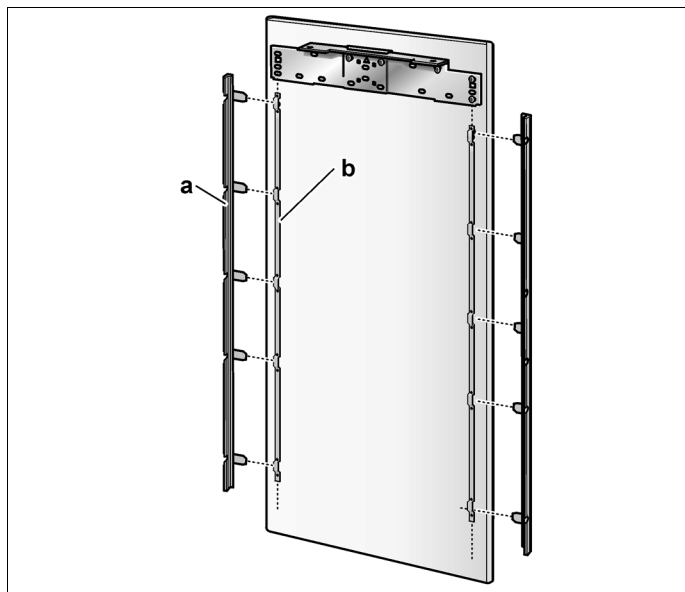
### Remarque:

Maintenant, fixez les poignées du meuble. Elles se visent par l'arrière !

1. Retirez les brides de fixation (a) de la porte de l'appareil. Pour cela, dévissez uniquement les vis (b) des brides.

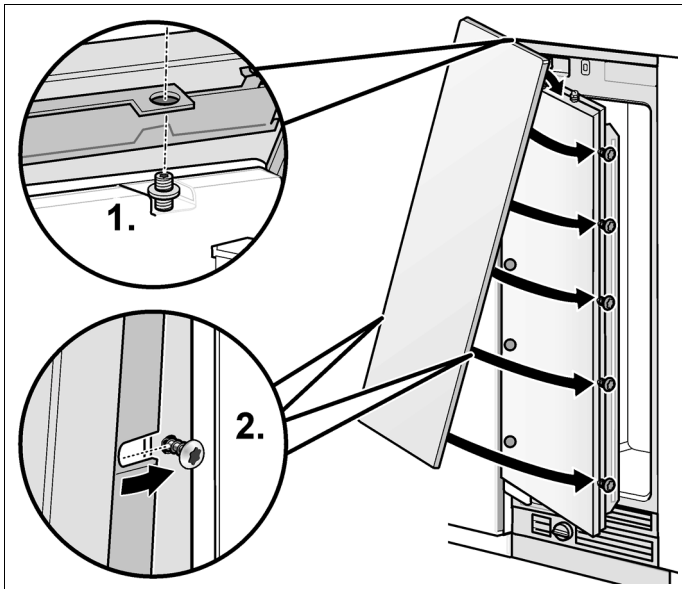


2. Insérez les brides de fixation (a), que vous venez de retirer, dans les profilés d'ajustage (b) sur le panneau de porte.

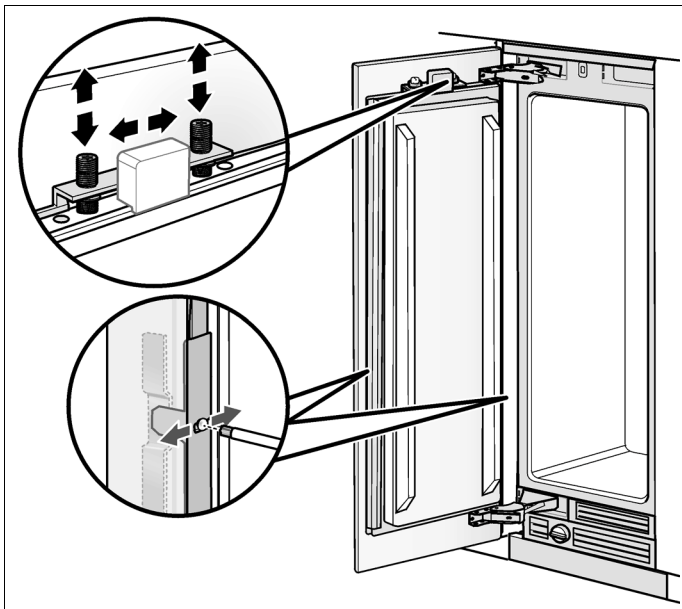


C

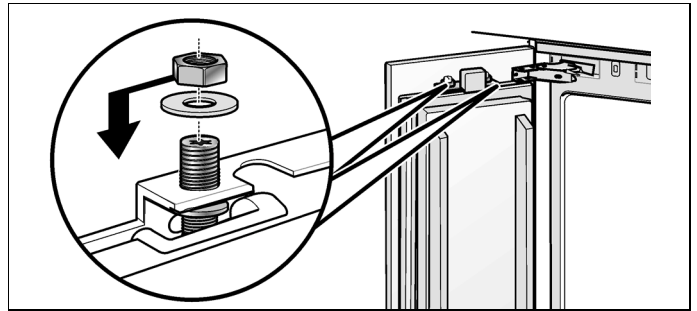
3. Ouvrez la porte de l'appareil.
4. Accrochez la porte de meuble aux goujons filetés (1.).
5. Soulevez légèrement la porte du meuble et faites descendre la baguette de fixation sur les pattes de fixation (2.).



6. Alignez la porte du meuble à l'aide des goujons filetés (utilisez le tournevis Torx). Vérifiez l'interstice sur tout son périmètre.
7. Fermez la porte et vérifiez que la profondeur de la façade de meuble est alignée sur les façades adjacentes. Corrigez si nécessaire.
8. Serrez les vis des brides pour figer la profondeur d'alignement.
9. Refermez la porte et vérifiez l'alignement latéral. Corrigez en tapant légèrement avec la main sur le bord de la porte ouverte du meuble.



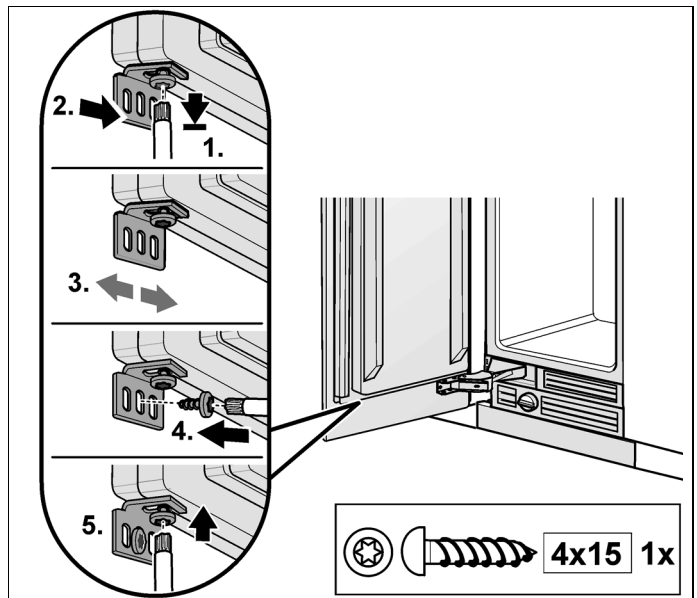
10. Serrez les écrous sur le rail d'ajustage. Cette action fige l'alignement latéral de la porte.



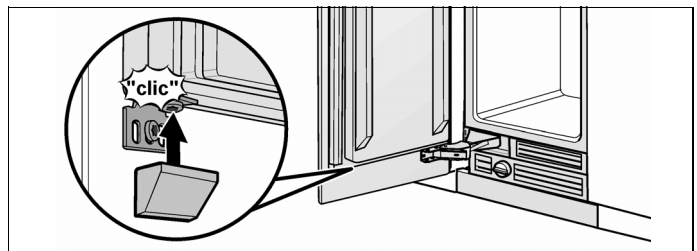
## 10. Fixation des brides inférieures

Les brides inférieures servent à bloquer la façade du meuble et empêcher un mouvement latéral. Le nombre de brides inférieures dépend de la largeur et de la conception de la porte du meuble. Vissez les brides inférieures (elles se trouvent dans le kit d'accompagnement). Percez des trous préparatoires dans la porte du meuble !

1. Desserrez la vis.
2. Poussez la bride inférieure sur la vis.
3. Vérifiez la position latérale de la porte.
4. Vissez la vis à bois.
5. Serrez la vis.

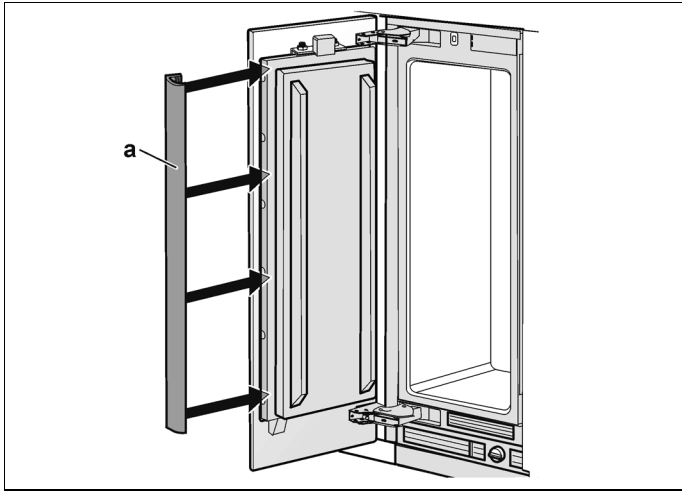


6. Fixez le couvercle sur les brides.

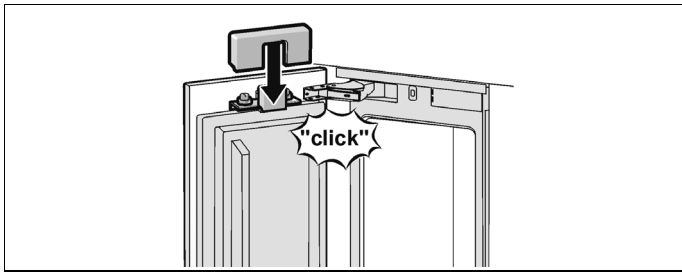


## 11. Fixation des couvercles

1. Emboîtez les profilés de recouvrement (a) sur la porte.



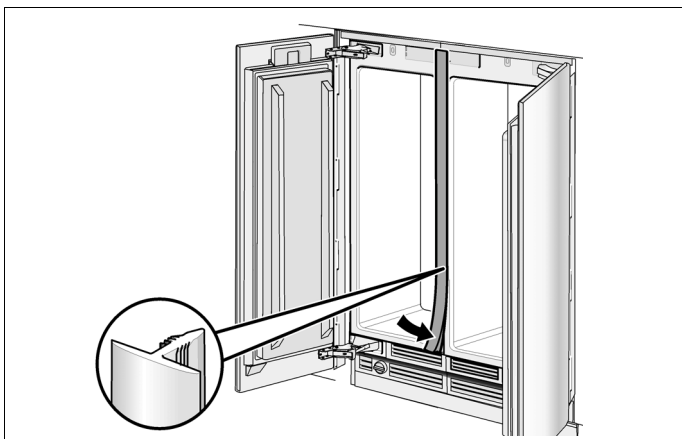
2. Placez les bandes couvercles contre la porte. Le couvercle de l'interrupteur d'éclairage peut se visser contre la porte.



### Installation côte à côte uniquement :

Insérez la bande couvercle dans l'interstice situé entre les appareils.

Le profilé de recouvrement est compris dans les accessoires nécessaires en cas d'installation côte à côte.

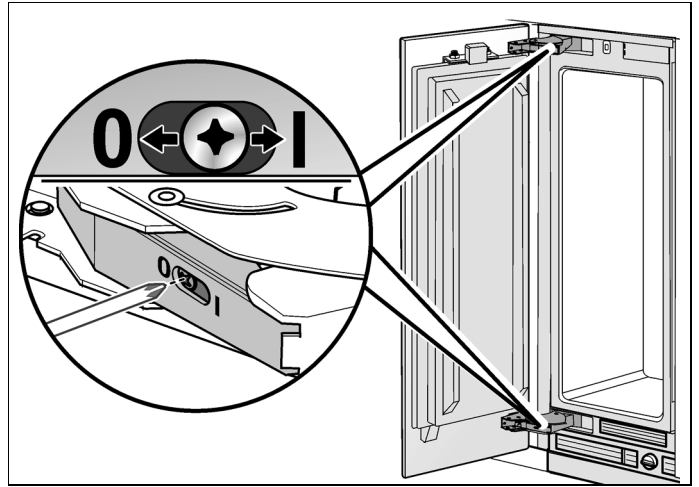


## 12. Changement du ressort de porte

Tournez la vis de réglage à l'aide d'un tournevis à empreinte cruciforme.

I = Plus forte tension possible du ressort

0 = Pas de tension ressort



Il s'agit d'étapes d'installation spéciales. Des instructions sont fournies au-delà de la section C.

- Distributeur d'eau glacée, voir « Alignement du distributeur de glaçons et d'eau » .
- Baguettes couvre-joints pour une cave à vin, voir « Fixation des baguettes couvre-joints »
- Tige butée de porte, voir « Ajustage de l'angle d'ouverture de porte ».

**Avec cette opération prend fin l'incorporation de l'appareil.**



## Installation spéciale

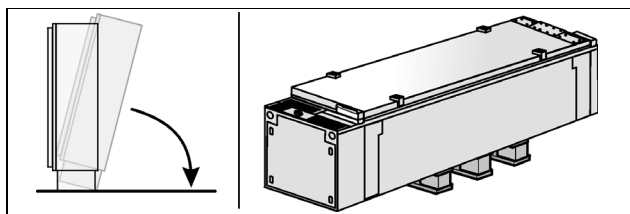
### Inversion du sens d'ouverture des portes

#### ⚠ AVERTISSEMENT

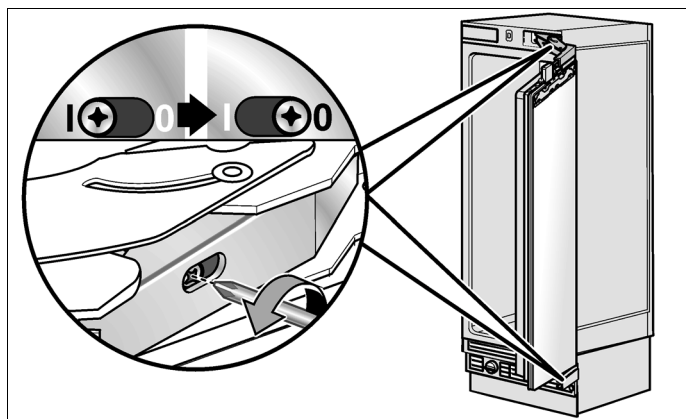
Risque de blessure !  
Avant de travailler sur les charnières, détendez le ressort.

#### Remarque:

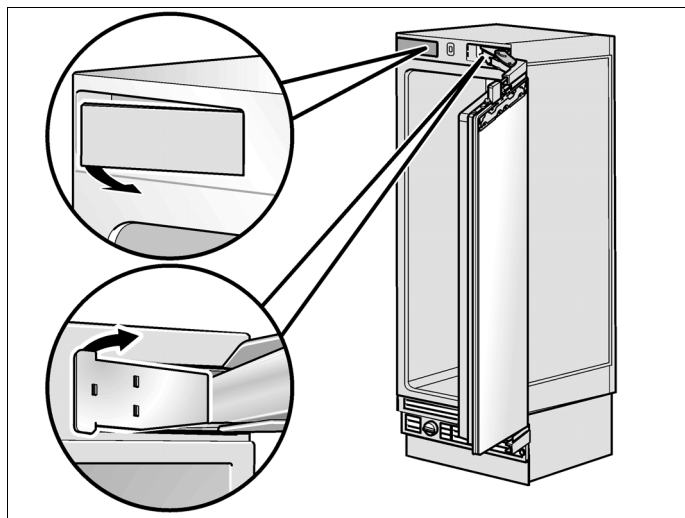
- Sur les congélateurs équipés d'un distributeur de glaçons et d'eau, il n'est pas possible de changer le sens d'ouverture de porte.
- Changer le sens d'ouverture de porte est plus facile si l'appareil se trouve sur le dos au moment de cette opération (placez la palette dessous).



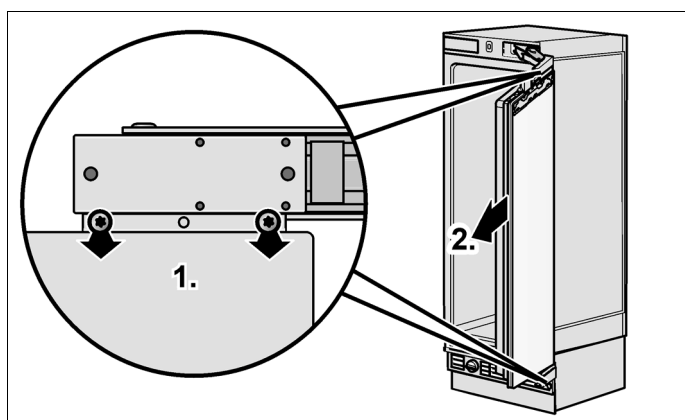
1. Détendez le ressort sur la charnière. Desserrez la vis en l'amenant de **I** à **0**.



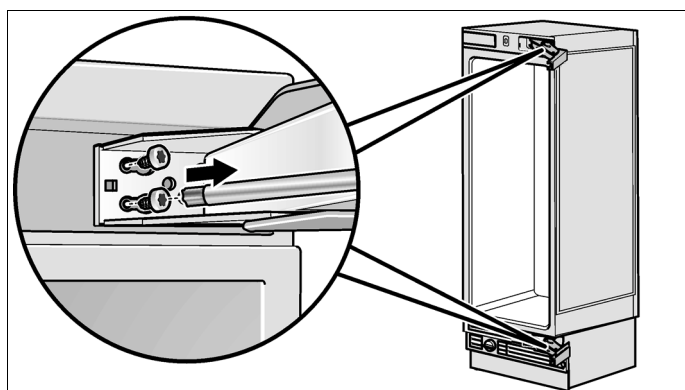
2. Enlevez les couvercles des charnières.



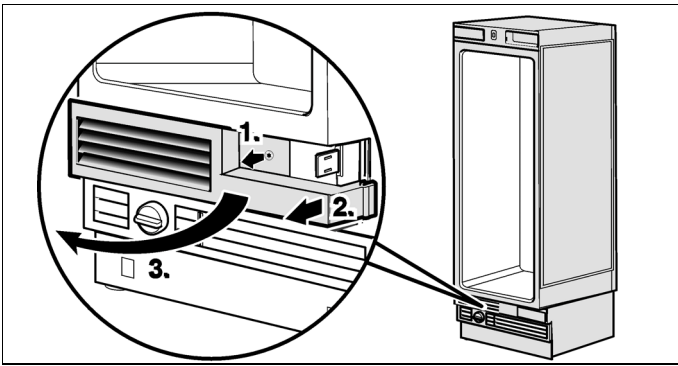
3. Dévissez (1.) puis retirez (2.) la porte.



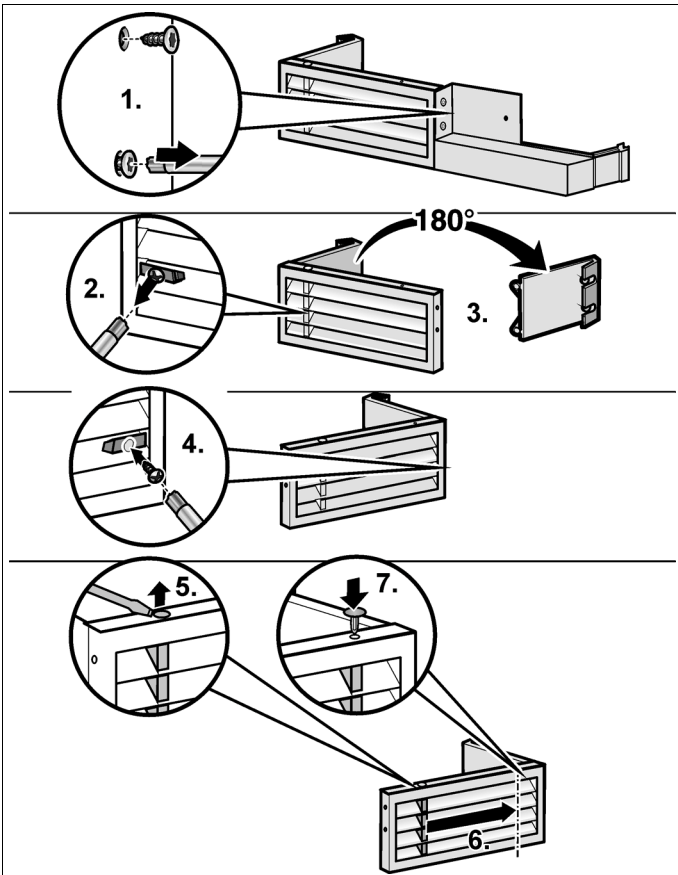
4. Enlevez les charnières.



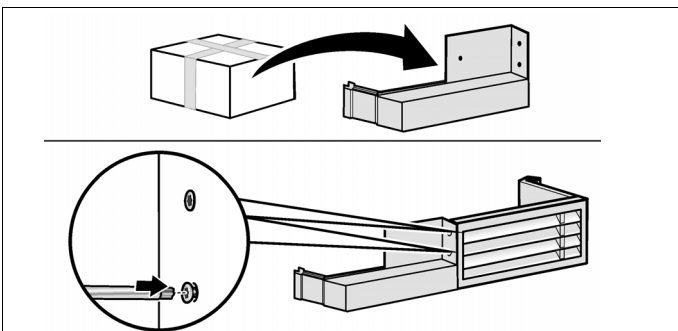
5. Retirez la grille d'aération.



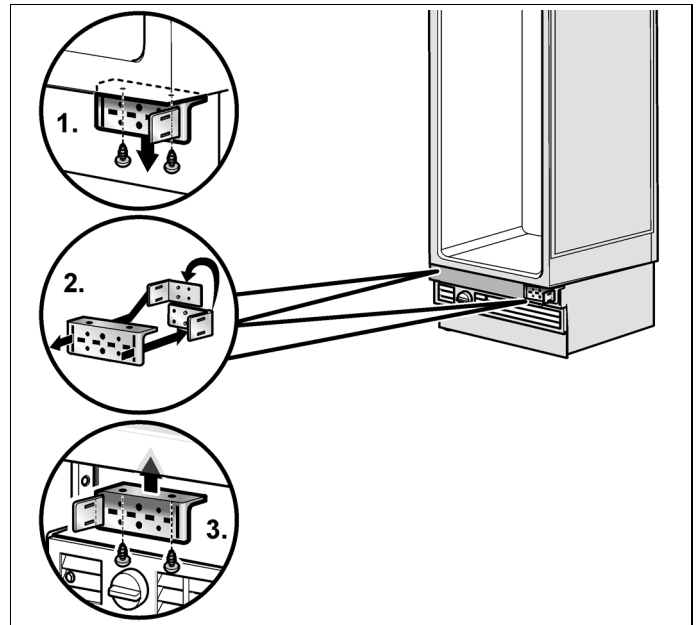
6. Montez à nouveau la grille d'aération en tenant compte du nouveau sens d'ouverture de porte.



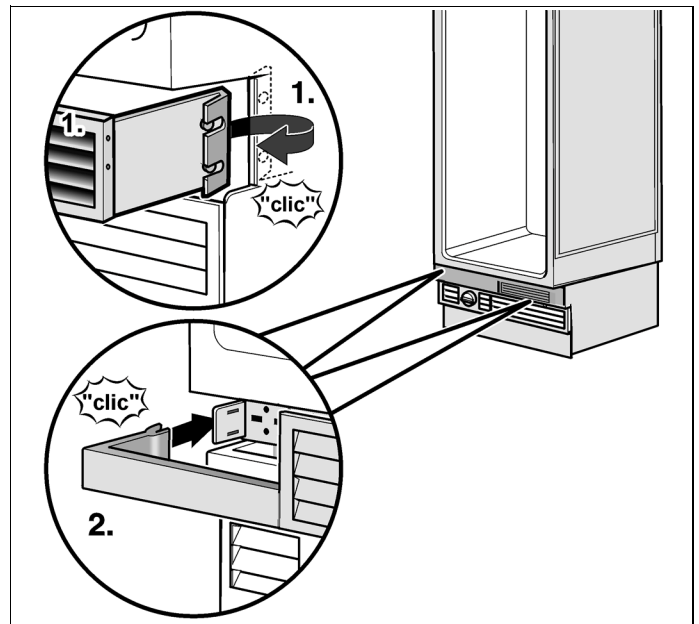
Pour adapter l'appareil au nouveau sens d'ouverture de porte, une pièce de rechange pour la grille d'aération a été livrée d'origine avec l'appareil.



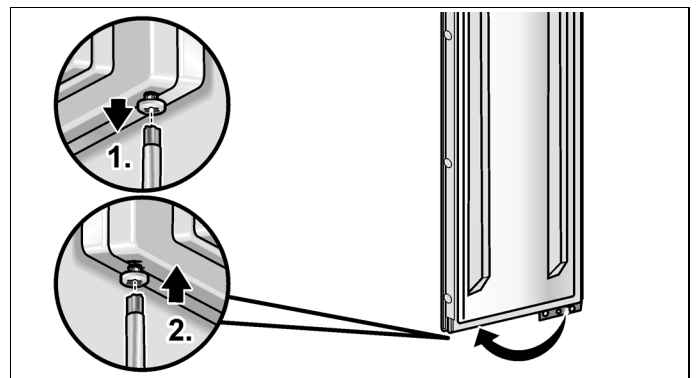
7. Transférez les cornières de charnière de l'autre côté.



8. Fixez la grille d'aération.

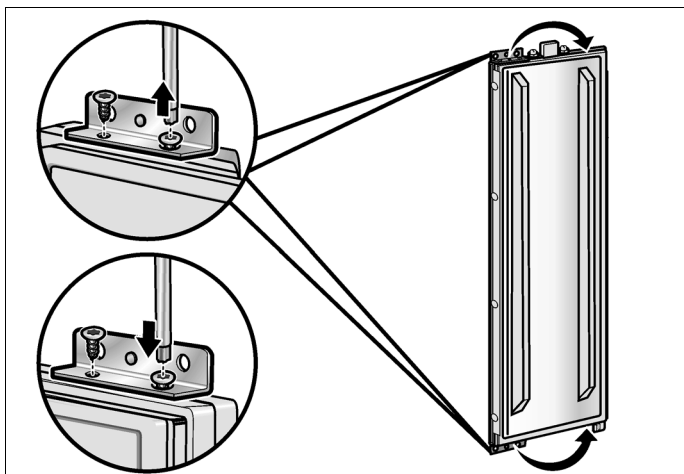


9. Transférez la vis affectée à la bride inférieure.

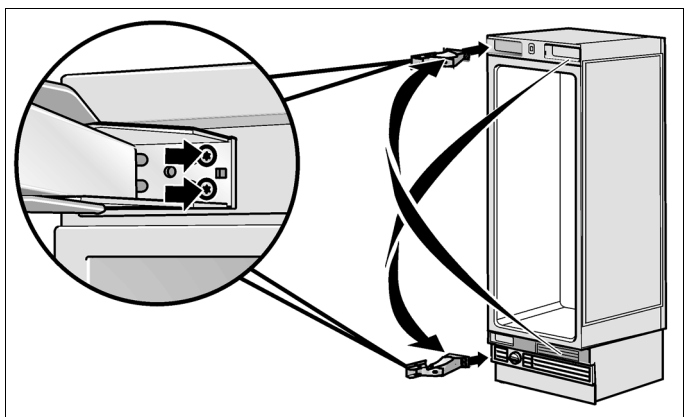




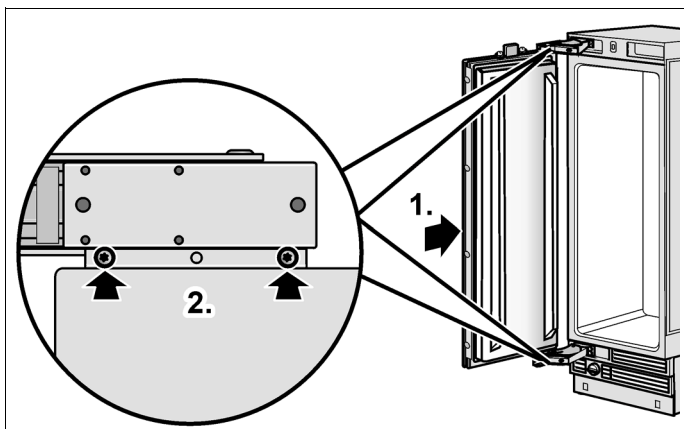
10. Transférez de l'autre côté les pièces de fixation situées contre la porte.



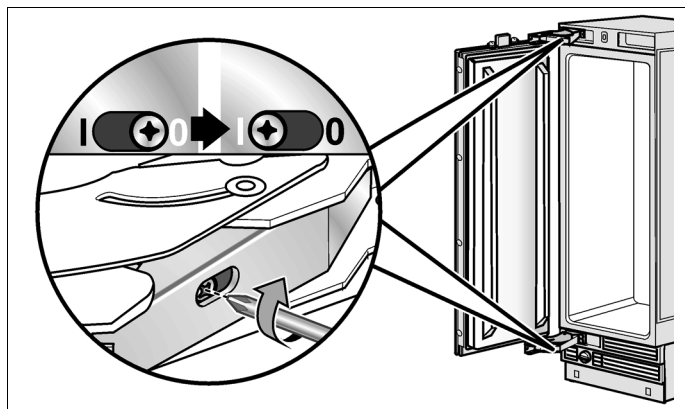
11. Fixez les charnières sur l'appareil. Permutez les charnières selon un ordre croisé !



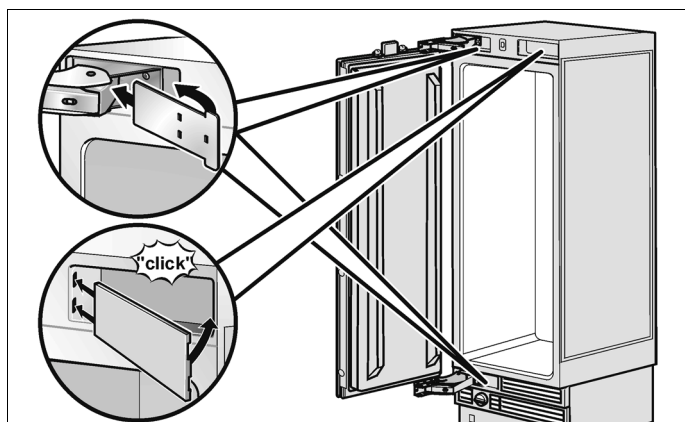
12. Vissez la porte contre les charnières.



13. Tendez le ressort de la charnière. Pour ce faire, amenez la vis de la position 0 sur la position I.



14. Fixez les couvercles des charnières.

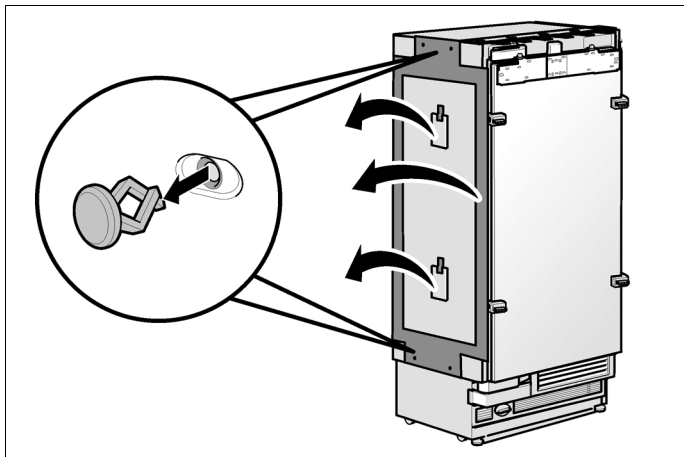




## Enlèvement/transfert du tapis d'étanchéité

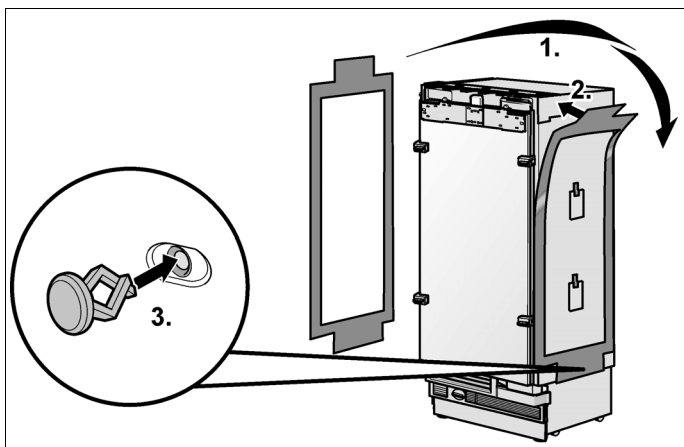
Les congélateurs ont été équipés en usine d'un tapis d'étanchéité en vue de l'installation côte à côte.

S'il est prévu d'installer l'appareil seul, le tapis d'étanchéité n'est pas nécessaire et il est possible de l'enlever.



En cas d'installation côte à côte, le tapis d'étanchéité est absolument nécessaire.

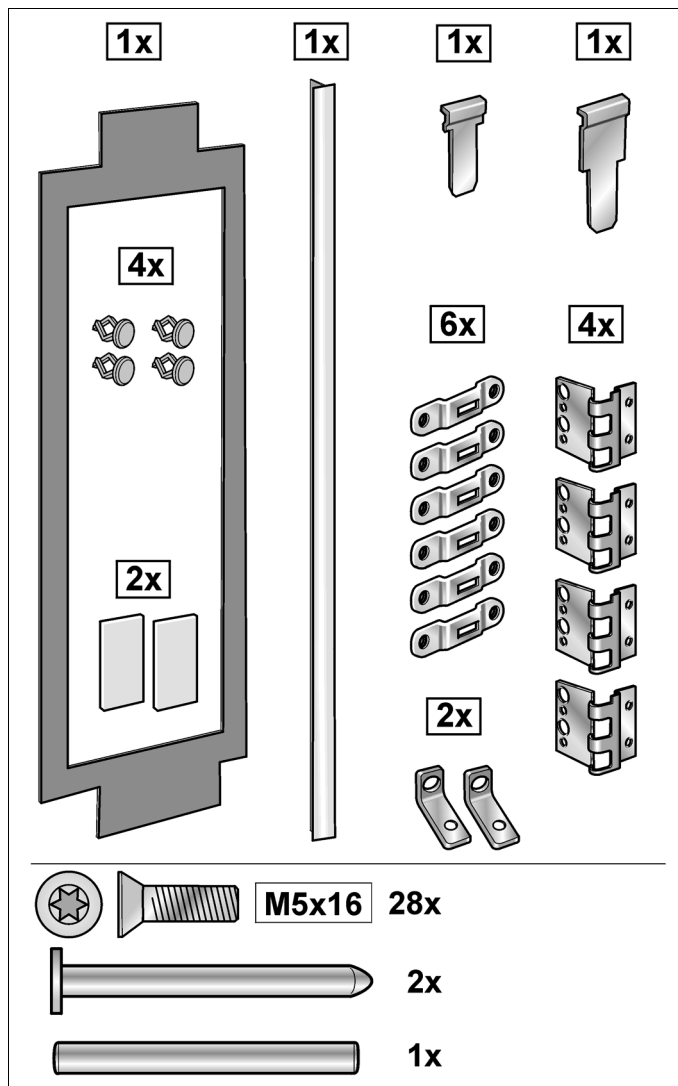
Si auparavant le sens d'ouverture de porte du congélateur a été modifié, il faut transférer le tapis d'étanchéité sur le côté opposé.



## Installation côte à côte

Si vous prévoyez une installation côte à côte, il faut relier maintenant les deux appareils l'un avec l'autre.

1. Déballez le kit d'installation côte à côte et vérifiez qu'aucune pièce ne manque.

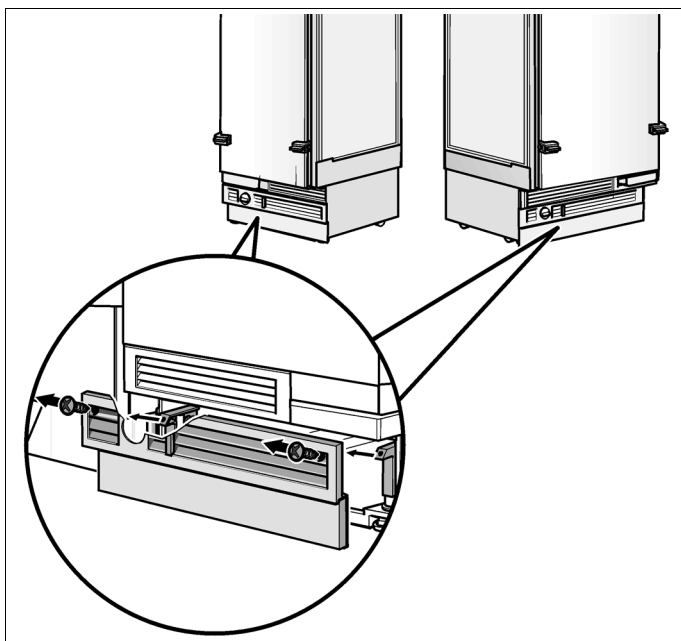


2. Placez les appareils l'un à côté de l'autre dans la configuration voulue.



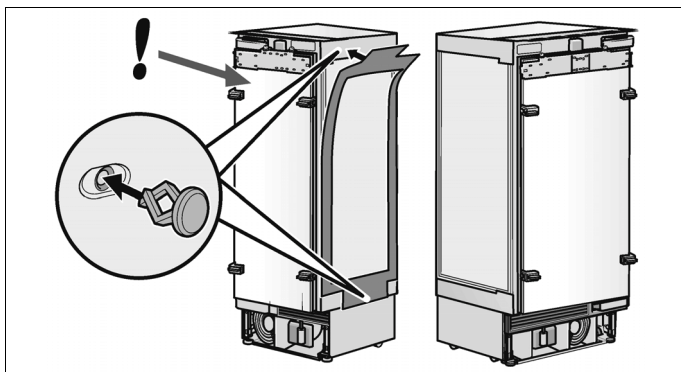


3. Dévissez les bandeaux de socle.

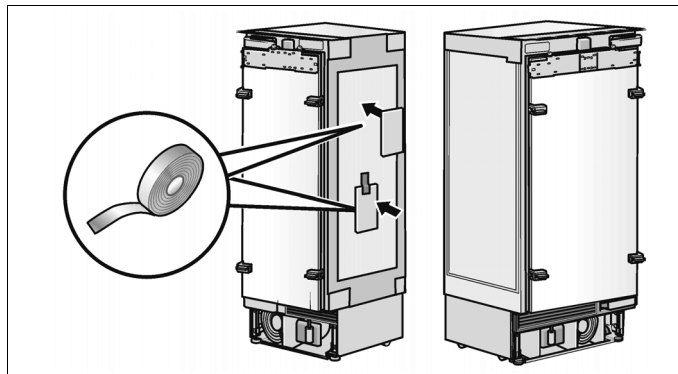


**Remarque:**

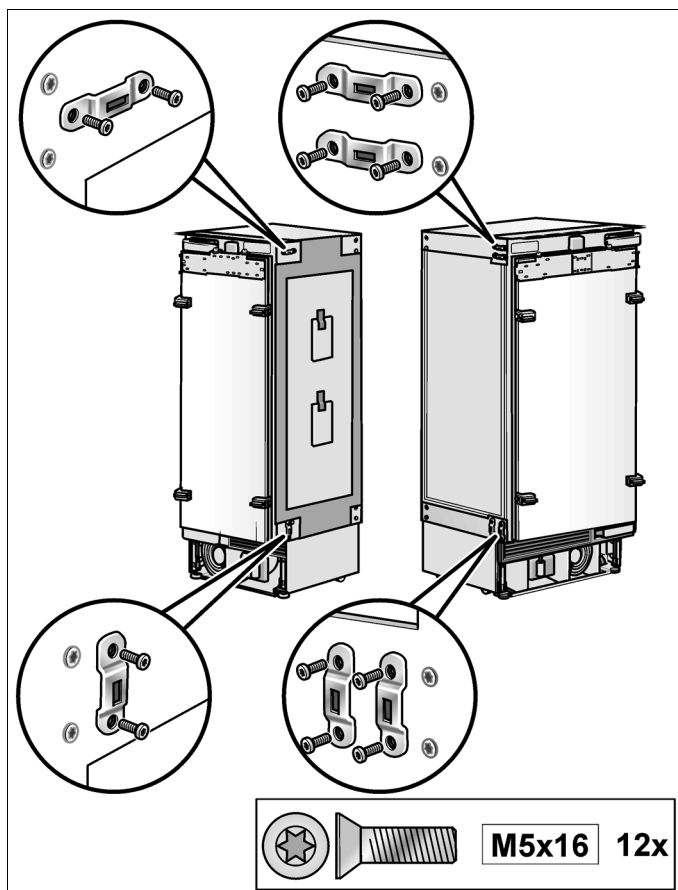
- Les congélateurs ont été équipés en usine d'un tapis d'étanchéité en vue de l'installation côte à côte. Passez à l'étape 6 des travaux.
  - Sur l'appareil debout, installez toujours le tapis du côté gauche !
4. Collez sur le pourtour la bande jointive fournie dans le kit côte à côte. Immobilisez la bande avec les punaises.



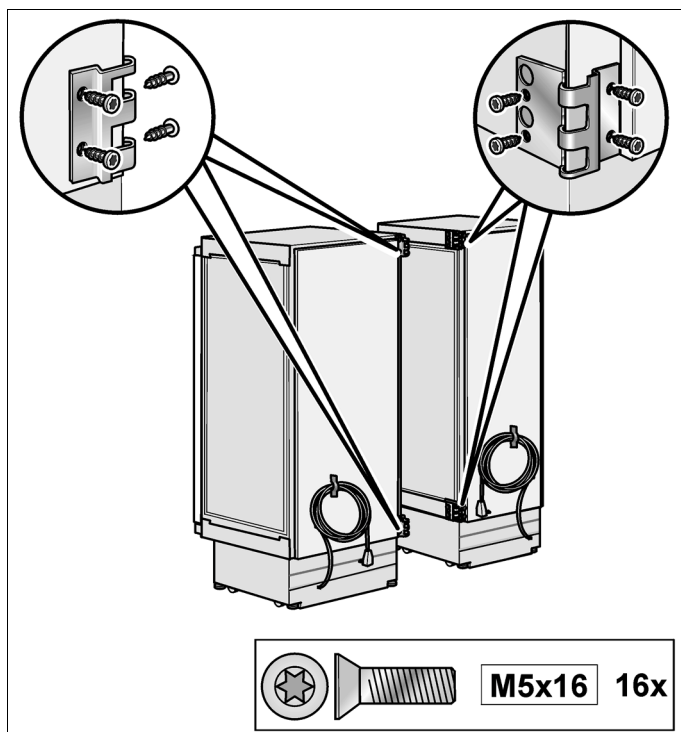
5. Placez les bandes absorbantes fournies dans le kit côte à côte contre la paroi latérale puis immobilisez-les avec du ruban adhésif.



6. Contre les deux appareils, vissez les plaques latérales fournies dans le kit côte à côte. Notez la position des deux appareils !

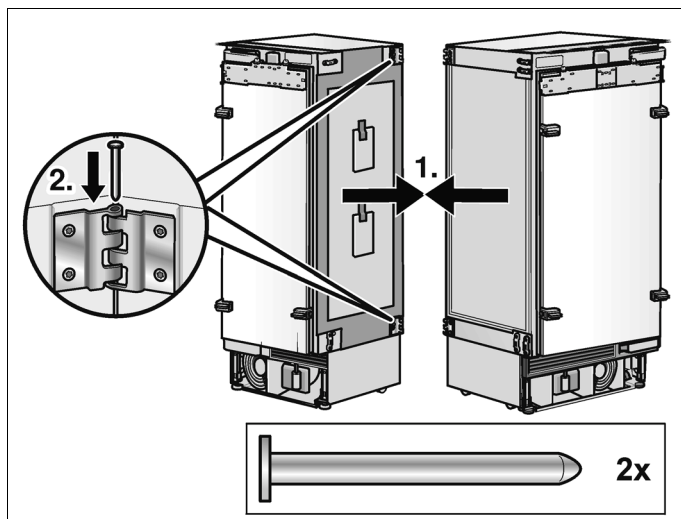


7. Vissez les demi-charnières fournies dans le kit côté à côté dans les deux appareils.

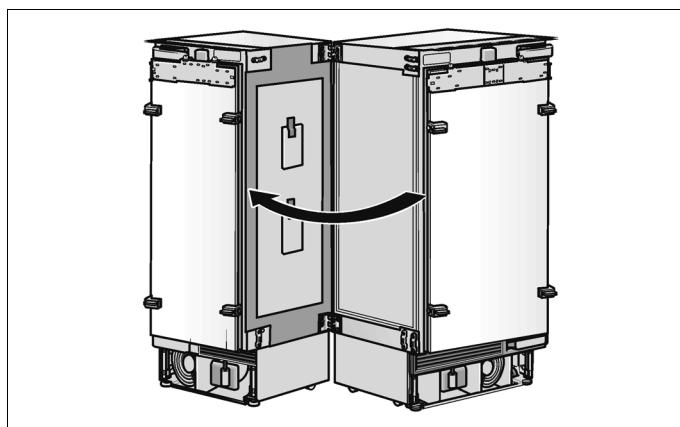


8. Poussez les appareils pour les rapprocher jusqu'à ce que les demi-charnières s'entrecroisent.

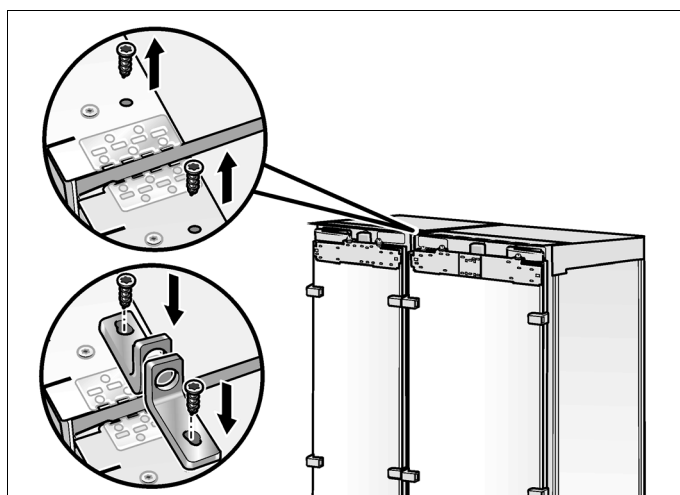
9. Insérez les goujons dans les charnières.



10. Poussez l'avant des appareils pour les rapprocher le plus possible.

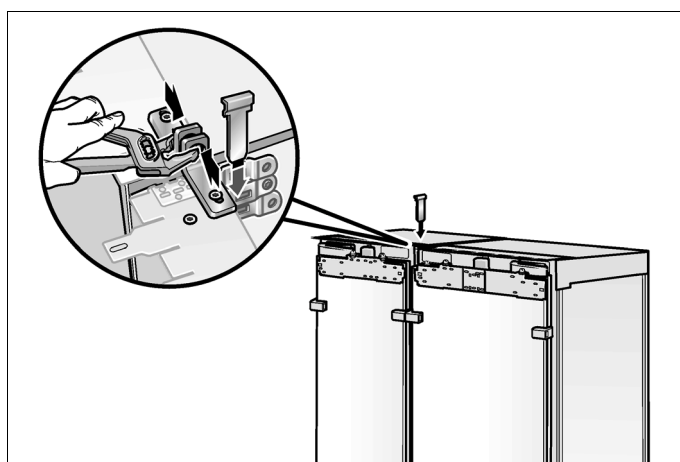


11. Desserrez les vis situées sur le dessus de l'appareil puis vissez les accessoires d'installation contre la partie supérieure des deux appareils.



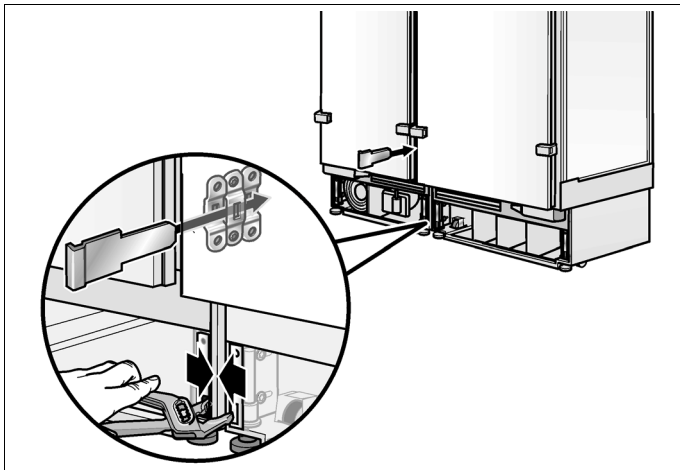
12. Rapprochez les appareils en les tirant à l'aide d'une pince multiprise.

13. Une fois que les appareils sont complètement joints, insérez la barre dans les plaques supérieures.

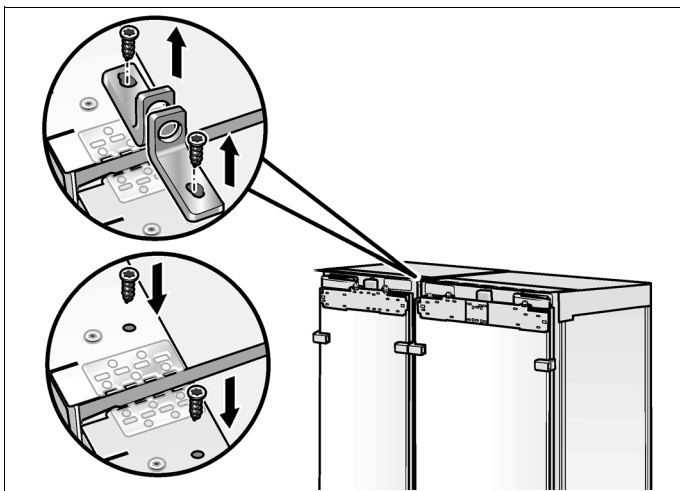




14. Rapprochez le bas des appareils en les tirant à l'aide d'une pince multiprise.
15. Une fois que les appareils sont complètement joints, insérez la barre dans les plaques inférieures. Enfoncez complètement la barre à l'aide d'un outil.

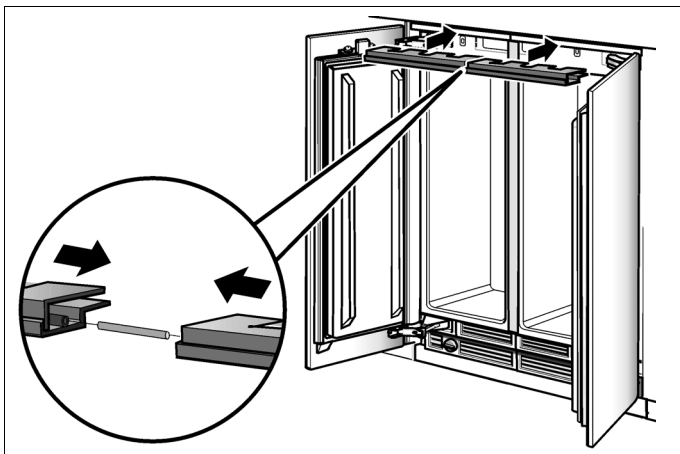


16. Retirez les accessoires d'installation.



Pour monter la baguette couvre-joints contre la plaque de montage (en haut) :

17. Connectez les deux profilés de recouvrement au boulon figurant dans le kit d'installation côte à côte.



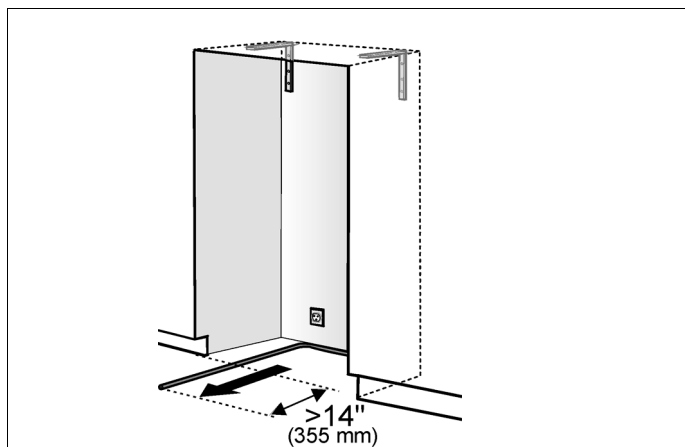
## Préparation du raccordement de l'eau

(seulement pour les appareils qui requièrent un raccordement à l'eau courante)

### Remarque:

Refermez le robinet d'eau principal pour empêcher que l'eau, en fuyant, ne provoque des dégâts.

1. Branchez la conduite de raccordement contre la vanne de fermeture en respectant les instructions fournies par le fabricant du kit destiné à l'installation du distributeur de glaçons.
2. Installez la conduite de raccordement. Respectez toujours les dimensions spécifiées pour l'espace libre, ceci pour empêcher d'endommager la conduite de raccordement lorsque vous poussez l'appareil.

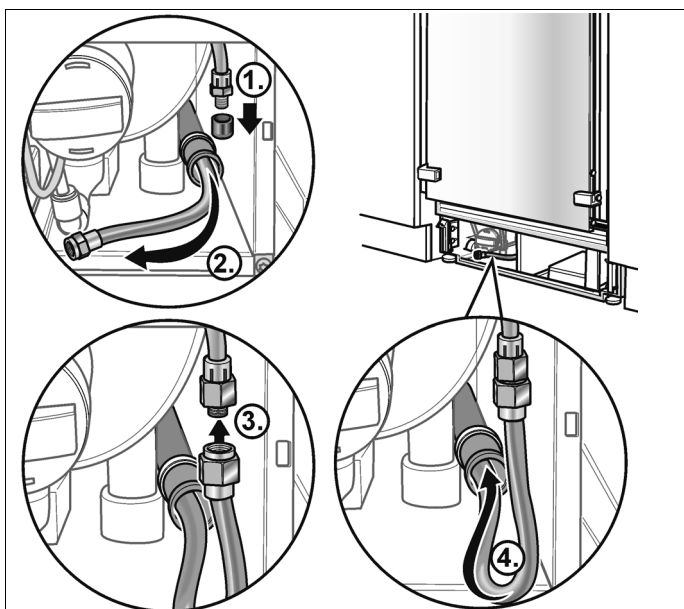


## Raccordement de l'eau à l'appareil

### Remarque:

Lorsque vous recourbez une conduite d'eau, ne la pliez pas, sinon **il y a risque que de l'eau fuie et provoque des dégâts.**

1. Retirez le capuchon du raccord (1.) de l'appareil.
2. Coudez la conduite conformément à l'emplacement du raccord sur l'appareil (2.).
3. Poussez l'écrou de jonction et le joint contre la conduite d'eau.
4. Poussez l'extrémité de la conduite d'eau dans le raccord de l'appareil et vissez l'écrou (3.). Serrez à fond mais à la main.
5. A l'aide d'une clé à fourche, serrez l'écrou de jonction. Veillez à ne pas serrer à l'excès !
6. Renforcez le flexible à eau le plus loin possible dans le tube de protection (4.).



7. Ouvrez la vanne de fermeture et le robinet d'eau principal.
8. Vérifiez si le raccord de la vanne de fermeture et celui de l'appareil présentent des fuites.
9. Fermez la vanne de fermeture et le robinet d'eau principal.

## Alignement du distributeur de glaçons et d'eau

(seulement pour unité de congélation avec distributeur de glaçons et d'eau)

### Remarque:

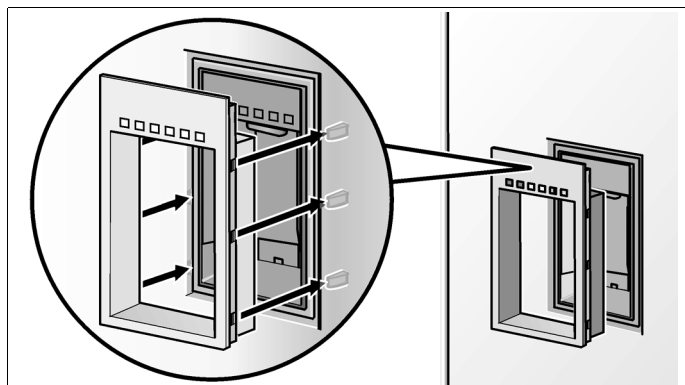
Sur les appareils à port en acier inoxydable, la porte est équipée d'un cadre enjoliveur spécial.

Il est possible d'aligner en profondeur le distributeur de glaçons et d'eau dans la découpe ménagée dans la porte du meuble. Ceci permet d'ajuster le parallélisme avec cette porte et de conférer une physionomie optimale à l'ensemble.

### Remarque:

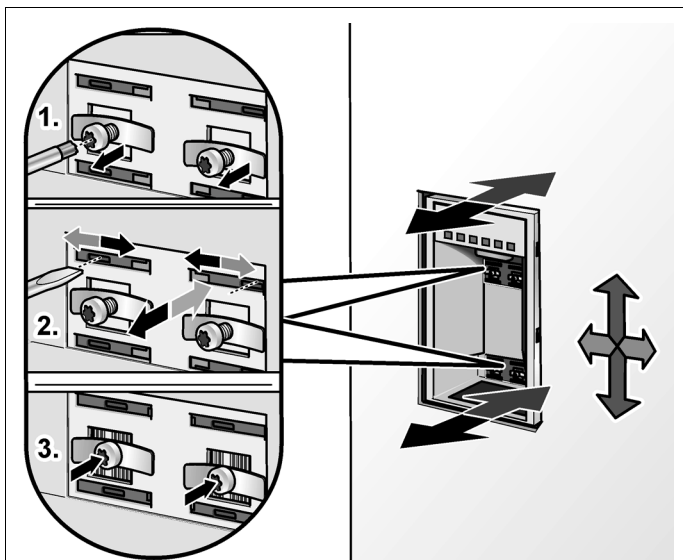
Nous recommandons de monter le cadre enjoliveur avant d'aligner le distributeur de glaçons et d'eau !

1. Poussez le cadre enjoliveur sur le distributeur de glaçons et d'eau et enfoncez-le jusqu'à que le cadre affleure avec la surface de la porte.

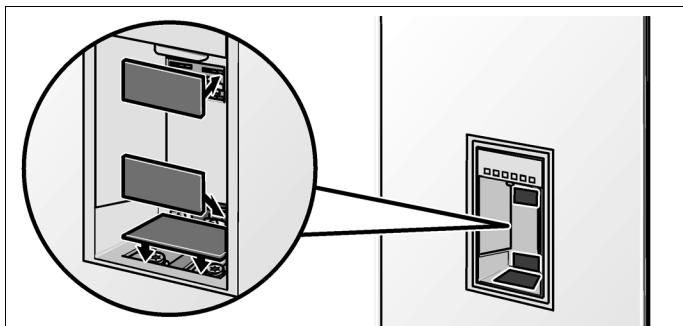


2. Desserrez les vis des 4 agrafes (1.).
3. Introduisez un tournevis pour vis à fente dans l'une des 4 ouïes et déplacez les latéralement de sorte que le distributeur de glaçons et d'eau se trouve à une distance uniforme par rapport à la porte du meuble (2.).
4. Revissez à fond les vis des agrafes (3.).

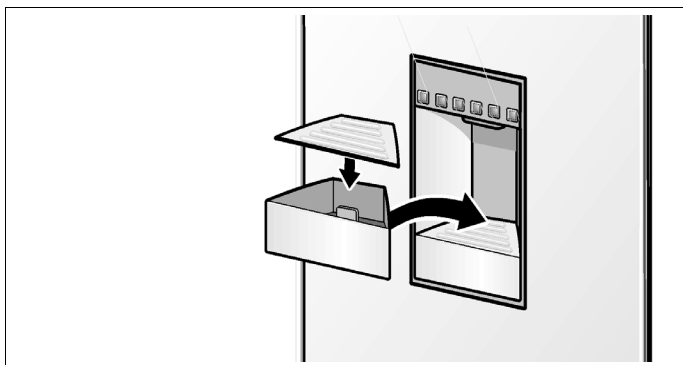




5. Posez les couvercles.



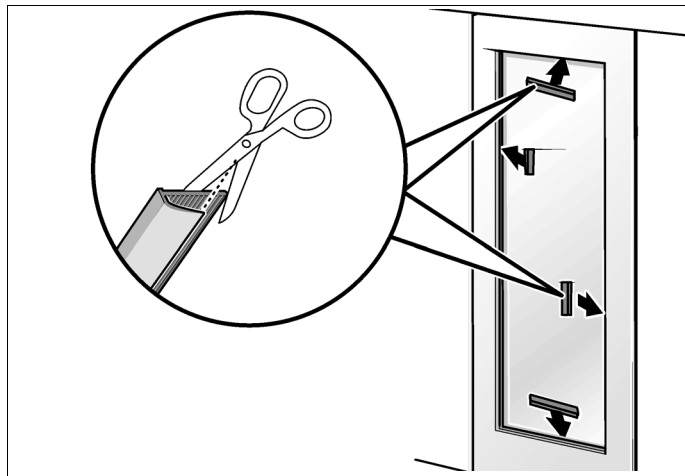
6. Insérez le bac récupérateur d'eau.



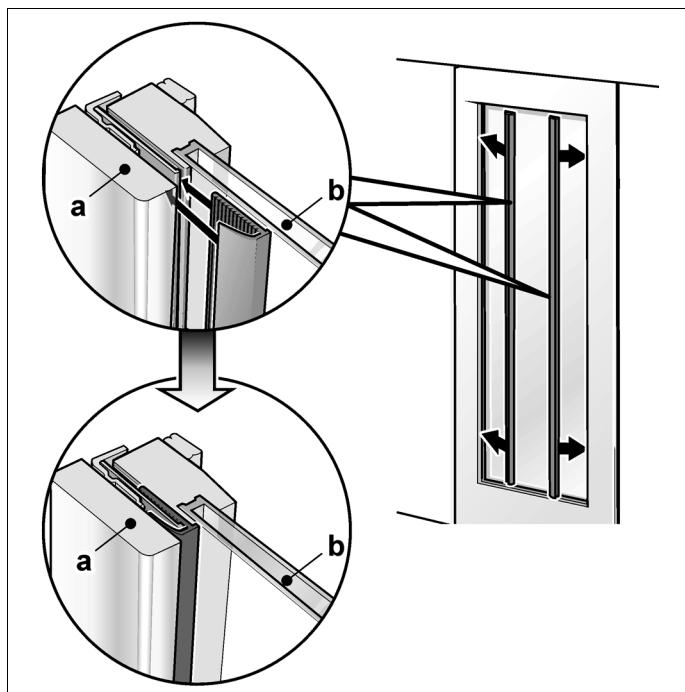
## Fixation des baguettes couvre-joints

(Cave à vin uniquement)

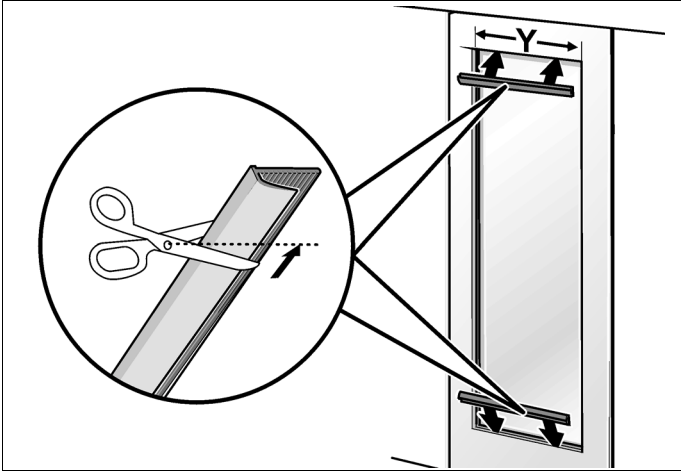
1. Si le cadre présente une largeur réduite, il faudra selon les circonstances raccourcir le segment de la baguette couvre-joint. Pour déterminer la longueur requise du segment, des échantillons de baguette ont été livrés d'origine.



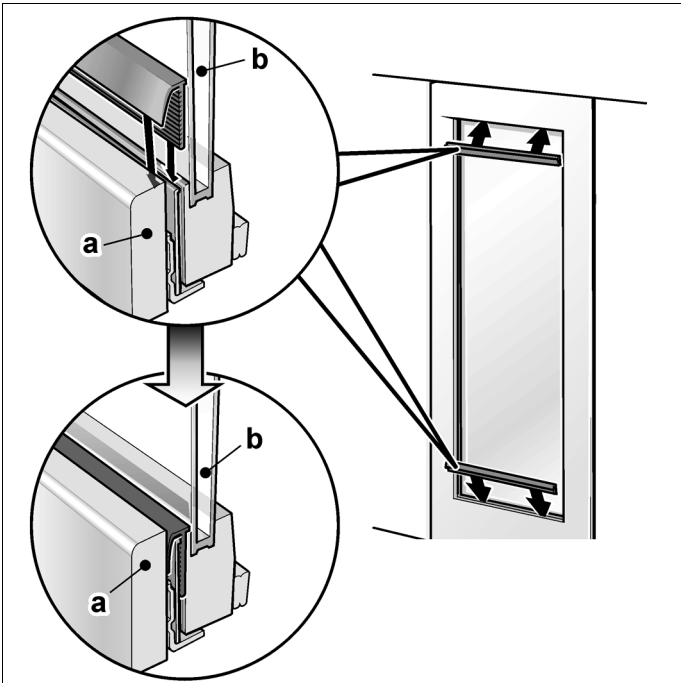
2. Enfilez les baguettes couvre-joints sur le côté longitudinal, dans la cavité entre la porte du meuble (a) et le bandeau en verre (b).



3. Raccourcissez les baguettes couvre-joints des côtés courts à la longueur requise.



4. Insérez les baguettes couvre-joints dans la cavité située entre la porte du meuble (a) et le bandeau en verre (b).

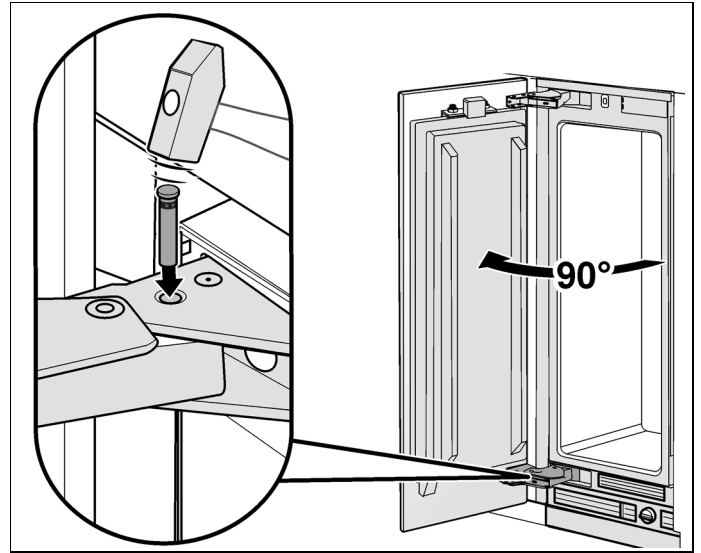


## Ajustage de l'angle d'ouverture de porte

Suivant les conditions d'installation, il pourra être nécessaire d'ajuster l'angle d'ouverture de la porte. Un angle d'ouverture de  $115^\circ$  a été ajusté en usine.

Pour conférer à la porte un angle d'ouverture de  $90^\circ$  :

1. Ouvrez la porte à  $90^\circ$ .
2. Introduisez la tige de limitation à travers les deux alésages superposés puis enfoncez-la à l'aide d'un marteau.



# Índice

## INSTRUCCIONES IMPORTANTES

**DE SEGURIDAD** ..... 65

**Opciones de instalación** ..... 66

Unidad individual ..... 66

Side-by-Side (Lado a lado) ..... 66

Electrodomésticos individuales  
con separación ..... 66

Electrodomésticos individuales en el final  
de las unidades de cocina ..... 66

**Instalación** ..... 67

Ambiente de emplazamiento ..... 67

Instalación estable ..... 67

Cavidad de instalación ..... 67

Muebles ..... 67

Base ..... 67

Alineación del electrodoméstico ..... 68

**Conexión a la red de alimentación** ..... 68

Instrucciones de conexión a tierra ..... 68

Procedimiento de puesta a tierra adicional ..... 68

**Conexión del agua** ..... 68

**Medidas de instalación** ..... 69

**Accesorios y herramientas necesarias** ..... 70

Accesorios que forman parte volumen  
de entrega ..... 70

Accesorios opcionales ..... 70

Otros accesorios necesarios ..... 70

Otros ..... 70

Herramientas ..... 70

**Instrucciones de instalación** ..... 71

1. Control de la cavidad para  
la instalación ..... 71

2. Desembalaje ..... 71

3. Transporte del electrodoméstico .... 72

4. Preparativos para el montaje ..... 72


5. Instalación especial ..... 72

<b>A</b>	1. Colocación de los ángulos antivuelco ..... 73
	2. Montaje de un dispositivo antivuelco adicional ..... 73
	3. Protección de las esquinas ..... 74
	4. Fijar las placas de sujeción (laterales)..... 74
	5. Colocando el electrodoméstico en la cavidad de instalación ..... 75

<b>B</b>	1. Alineación del electrodoméstico ..... 76
	2. Sujetando el electrodoméstico a la cavidad ..... 76

<b>C</b>	1. Sujeción del panel de protección .... 78
	2. Alineación del panel de protección .. 78
	3. Puesta en marcha del electro- doméstico ..... 79
	4. Preparación de las puertas mueble .. 79
	5. Carga admisible en la puerta electrodoméstico ..... 79
	6. Quitar el elemento auxiliar para el posicionamiento ..... 79
	7. Montaje del riel de ajuste en la puerta del mueble ..... 80
	8. Sujeción de los listones correspon- dientes al panel puerta ..... 80
	9. Sujeción de la puerta del mueble .... 81
	10. Montaje de los soportes inferiores .... 82
	11. Montaje de las cubiertas ..... 83
	12. Cambio del muelle de la puerta ..... 83

**Instalación especial** ..... 84

	Cambiando las bisagras ..... 84
	Quitado / cambio de la esterilla de sellado ..... 87
	Instalación Side-by-Side (Lado a lado) .... 87
	Preparación para conectar el agua ..... 90
	Conexión del agua al electrodoméstico.... 91
	Orientación del dispensador de hielo y agua ..... 91
	Colocación del cuadro de cobertura y del depósito ..... 92
Ajuste del ángulo de apertura de la puerta ..... 93	



# INSTRUCCIONES IMPORTANTES DE SEGURIDAD

## ADVERTENCIA

La parte superior de este electrodoméstico es más pesada que la de abajo, por lo que se lo debe asegurar a fin de evitar que vuelque hacia delante.

Se requiere de una protección antivuelco.

Mantenga las puertas cerradas hasta que el electrodoméstico esté completamente instalado y asegurado según las instrucciones de instalación.

Debido al peso y las dimensiones del electrodoméstico y a fin de reducir el riesgo de lesiones personales o de daños al producto – SE REQUIERE DE DOS PERSONAS PARA UNA INSTALACIÓN ADECUADA.

Este electrodoméstico debe conectarse correctamente a tierra. Consulte la sección «Conexión a la red de alimentación».

Utilice el electrodoméstico exclusivamente para lo que ha sido previsto.

Repare o cambie inmediatamente los cables eléctricos si están gastados o dañados.

Desenchufe el electrodoméstico o desactive el fusible antes de limpiar o efectuar reparaciones.

## NOTA

Una instalación adecuada de este electrodoméstico requiere de conocimientos específicos básicos en mecánica, carpintería y fontanería.

Fallos en el producto debido a una instalación inadecuada no está cubiertos por la garantía.

Consulte el manual del usuario por la información concerniente a la garantía.

## IMPORTANT

Guarde estas instrucciones para el uso del inspector local. Tenga en cuenta todas las disposiciones y ordenanzas gubernamentales.

Nota para instalador – Asegúrese de dejar estas instrucciones al usuario.

Nota para el usuario – Guarde estas instrucciones con su manual para el propietario.

## General

Las reparaciones debe efectuarlas un técnico calificado. Estas instrucciones de instalación se entienden para se usadas por instaladores calificados. Todas las conexiones de agua, alimentación eléctricas y conexión a tierra, deben cumplir con las prescripciones y ordenanzas locales y deben ser realizadas por personal con las licencias correspondientes si así se lo requiere. En ausencia de prescripciones locales:

- En los E.E.U.U., de acuerdo con el National Electric Code, ANSI/NFPA70 – última edición/ prescripciones municipales y/o locales.
- En Canadá, de acuerdo con el Canadian Electric Code C22.1 – última edición prescripciones municipales y/o locales.

## Definitions

### ADVERTENCIA:

indica que existe peligro de lesiones graves y aún de muerte, que pueden ocurrir como resultado de la inobservancia de esta advertencia.

### ATENCIÓN:

indica que pueden producirse lesiones menores o daños que pueden ocurrir como resultado de la inobservancia de esta advertencia.

### Nota:

Este símbolo se utiliza para llamar la atención del usuario respecto de algo en particular.

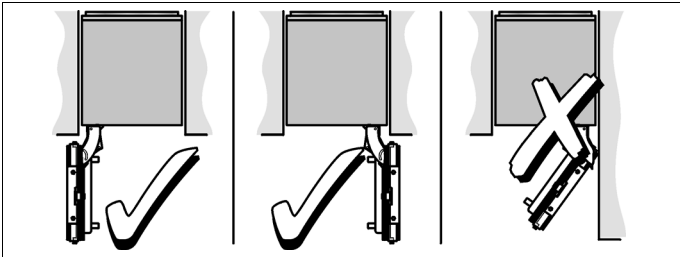
## Opciones de instalación

Existen diversas opciones de instalación.

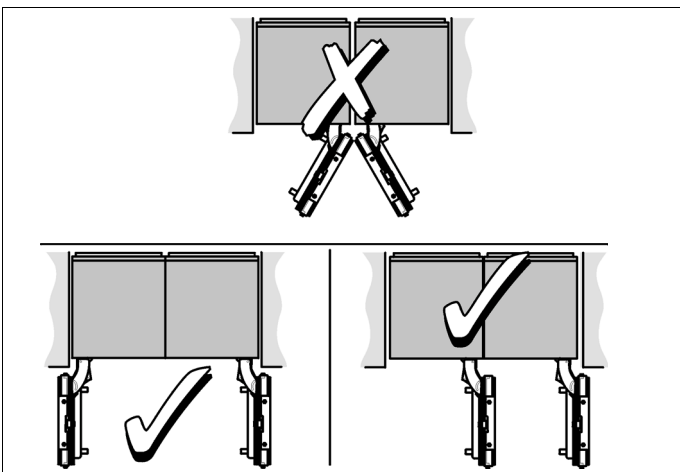
Están limitadas exclusivamente por el diseño de la cocina.

Ver también «Breve referencia para diseño de cocina (Kitchen Design Quick Reference)».

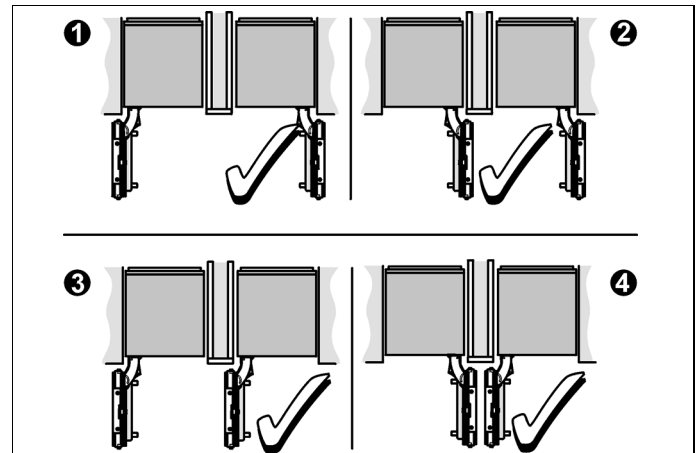
### Unidad individual



### Side-by-Side (lado a lado)



## Electrodomésticos individuales con separación



- Si dimensiona los espacios para el modelo 4, tenga en cuenta el espesor de los paneles frontales de los muebles, a fin de evitar daños si se abren las dos puertas simultáneamente.
- Utilice el «Heating kit» (combinación y calentamiento) si el espacio entre los dos electrodomésticos es menor que 6" (160 mm). Consulte la sección «Accesorios opcionales».
- La separación mínima debe ser de  $\frac{5}{8}$ " (16 mm).

## Electrodomésticos individuales en el final de las unidades de cocina

Si uno de los lados del electrodoméstico está a la vista, debe colocarse un panel lateral.

El panel lateral debe sujetarse firmemente en la pared, el piso y el mueble o adorno superpuesto antes de colocar el electrodoméstico en la cavidad.

Las dimensiones del panel lateral, deben tomarse en la pared opuesta de la cavidad. Controle durante la instalación que la cavidad esté a escuadra y que tenga las dimensiones adecuadas.

## Instalación

### **ADVERTENCIA:**

No instale el electrodoméstico:

- a la intemperie,
- en un sitio con presencia de agua,
- en ambientes a temperaturas inferiores a los 32 °F (0 °C).

El electrodoméstico es muy pesado.

Por los pesos del equipo vacío, consulte la tabla siguiente:

Refrigerador de 24"	aprox. 310 lbs/140 kg
Refrigerador de 30"	aprox. 350 lbs/158 kg
Congelador de 18"	aprox. 255 lbs/115 kg*
Congelador de 24"	aprox. 300 lbs/135 kg*
Congelador de 30"	aprox. 335 lbs/150 kg*
Conservador de vinos 18"	aprox. 300 lbs/135 kg
Conservador de vinos 24"	aprox. 360 lbs/160 kg

( \* sin expendedor de agua)

## Ambiente de emplazamiento

El electrodoméstico debe instalarse en un ambiente seco y bien ventilado.

La temperatura del ambiente no debe descender de los 55 °F (13 °C) o aumentar más allá de los 110 °F (43 °C). De lo contrario puede no funcionar correctamente.

El lugar de emplazamiento no debe estar expuesto a la luz solar directa, ni cerca de una fuente de calor como una estufa, radiador, etc.

Si es inevitable instalarlo cerca de una fuente de calor, utilice una placa aislante adecuada o asegure una distancia mínima respecto de la fuente de calor:

- 1<sup>1</sup>/<sub>4</sub>" (30 mm) de un horno eléctrico,
- 12" (300 mm) de un horno a combustible seco.

## Instalación estable

El electrodoméstico es muy pesado y presenta la tendencia de volcar hacia adelante cuando se abre la puerta del mismo.

No abrir la puerta hasta tanto el electrodoméstico no pueda volcar más.

La manera más segura de instalar el electrodoméstico en una posición estable, es utilizando los elementos antivuelco que forman parte del volumen de entrega.

Si el sitio de instalación es suficientemente estable y el electrodoméstico puede asegurarse firmemente en las paredes laterales y superior, se logra una mayor estabilidad del mismo. ¡Es una condición previa, que el encerramiento de instalación presente una sujeción firme en la pared posterior!

Si tiene dudas, consulte a un arquitecto o experto en construcción.

## Cavidad de instalación

### **Nota:**

Se recomienda insistentemente que la pared superior de la cavidad sea de material sólido con un espesor mínimo de 5/8" (16 mm).

Si por alguna razón, se construye un gabinete especial para la cavidad, debe asegurarse, que el espacio libre detrás del electrodoméstico sea de un mínimo de 4" (100 mm) de profundidad.

Es importante observar las dimensiones especificadas para la cavidad de instalación a fin de garantizar una instalación del electrodoméstico sin problemas.

Controle particularmente que la cavidad esté a escuadra.

Esto puede controlarse con herramientas adecuadas, como un nivel de agua, mediciones en diagonal, etc.

## Muebles

El electrodoméstico debe atornillarse firmemente a los muebles o adornos adyacentes y superpuestos.

A tal fin es esencial que todos los muebles o adornos estén firmemente sujetos al suelo o las paredes con medios adecuados.

## Base

### **ADVERTENCIA:**

Un electrodoméstico plenamente cargado es muy pesado. Consulte la tabla siguiente para la carga total requerida de la base:

Refrigerador de 24"	aprox. 890 lbs/400 kg
Refrigerador de 30"	aprox. 1110 lbs/500 kg
Congelador de 18"	aprox. 560 lbs/250 kg*
Congelador de 24"	aprox. 780 lbs/350 kg*
Congelador de 30"	aprox. 950 lbs/425 kg*
Conservador de vinos 18"	aprox. 550 lbs/245 kg
Conservador de vinos 24"	aprox. 694 lbs/310 kg

( \* sin expendedor de agua)

Para asegurar que el electrodoméstico esté firmemente montado y funcione correctamente, la base de apoyo debe ser plana y horizontal.

La base debe ser de material duro y rígido.

La zona de instalación deben presentar la misma altura que el resto del ambiente.

Para dar cuenta del elevado peso del electrodoméstico plenamente cargado, se requiere que la base resista la carga en cuestión. Si tiene dudas, consulte a un arquitecto o experto en construcción.

## Alineación del electrodoméstico

A fin de que el electrodoméstico funcione correctamente, debe estar adecuadamente nivelado.

Si así no fuere, puede salir agua del equipo de producción de hielo, los cubitos de hielo pueden presentar una forma irregular o bien las puertas no cierran correctamente.

---

## Conexión a la red de alimentación

### **ADVERTENCIA:**

#### **Peligro de descargas eléctricas**

- Conéctelo a un tomacorriente de 3 conductores con conexión a tierra.
- No desconecte el contacto de toma de tierra.
- No utilice adaptadores.
- No utilice cables de prolongación.

El incumplimiento de estas instrucciones puede ser causa de la muerte, incendios o descargas eléctricas.

Cumplimentar todas la reglamentaciones y códigos o el NEC.

El electrodoméstico se entrega con un conductor de alimentación de 3 cables, listado según UL.

El electrodoméstico requiere de un tomacorriente de 3 conductores.

Este tomacorriente debe instalarlo un electricista con la licencia debida.

El tomacorriente debe estar protegido mediante un fusible o térmico de 15 A.

<b>Electrodoméstico</b>	<b>Carga simultánea máxima</b>
Refrigerador 24"	2.0 Amper
Refrigerador 30"	2.0 Amper
Congelador de 18" (*)	3.5 Amper
Congelador de 24" (*)	4.0 Amper
Congelador de 30" (*)	4.5 Amper
Conservador de vinos 18"	2.0 Amper
Conservador de vinos 24"	2.0 Amper

(\*) con equipo de producción de hielo

Por la ubicación de los tomacorrientes, consulte las «Medidas de emplazamiento».

## Instrucciones de conexión a tierra

Este electrodoméstico debe conectarse a tierra.

En caso de un fallo en el funcionamiento o una rotura, la conexión a tierra reduce el riesgo de descargas eléctricas, proveyendo una vía de resistencia menor para la corriente eléctrica.

### **ADVERTENCIA:**

Una conexión inadecuada del conductor de puesta a tierra puede ser causa de una descarga eléctrica. Haga controlar el electrodoméstico por un electricista calificado o personal del servicio técnico si tiene dudas respecto de una conexión a tierra correcta.

## Procedimiento de puesta a tierra adicional

Algunas disposiciones locales exigen una puesta a tierra adicional. En este caso debe adquirirse por separado el cable, las grampas y los tornillos accesorios.

Nunca conecte a tierra el electrodoméstico en tuberías de plástico, de gas o de agua.

---

## Conexión del agua

### **ATENCIÓN:**

¡Conectar el electrodoméstico exclusivamente a una tubería de agua potable!

Se requiere de una conexión de agua fría, para el funcionamiento del generador automático de hielo. La presión del agua debe estar comprendida entre 25 a 120 p.s.i. (1,72 a 8,25 bar). La instalación debe cumplir con las reglamentaciones de tubería de agua locales y las leyes nacionales correspondientes.

Debe instalarse una válvula de cierre en la conexión de agua del electrodoméstico.

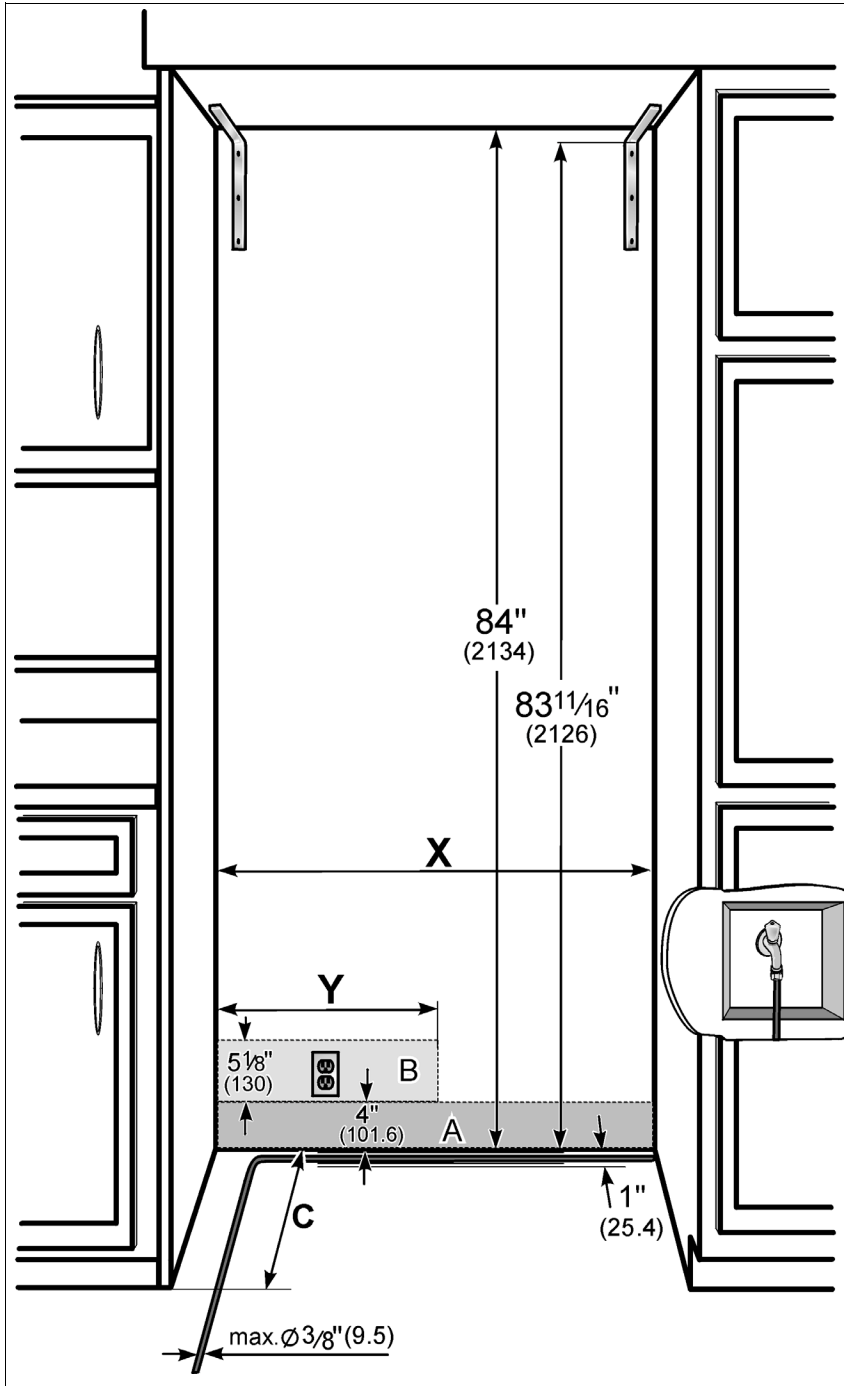
La válvula de cierre no debe encontrarse detrás del electrodoméstico. Se recomienda instalar dicha válvula en la cercanía inmediata del electrodoméstico (unidad base) o en otra zona de fácil acceso.

Durante la instalación del agua, observe las zonas de instalación permitidas para la tubería. Por las zona mencionadas y sus medidas, consulte «Medidas de instalación».

La tubería de alimentación puede ubicarse al costado derecho (a), al costado izquierdo (b), o debajo (c).

El diámetro externo máximo de la tubería (sin las monturas):  $\frac{3}{8}$ " (9.5 mm).

## Medidas de instalación



X	Y
18" (457 mm)	9" (229 mm)
24" (610 mm)	12" (305 mm)
30" (762 mm)	15" (381 mm)

### ¡IMPORTANTE!

Recomendamos con insistencia, que el borde superior del nicho se ejecute de material sólido ( $5/8$ " (16 mm) de espesor).

### ¡IMPORTANTE!

¡Asegurar que las paredes laterales del nicho sean completamente lisas! Asegurar que el área para la terminación del mueble presente una profundidad mínima de 4" (100 mm).

### Leyenda:

A Zona para la instalación de la conexión de agua.

Recomendamos que el depósito de agua se instale al lado abertura de instalación, por razones de servicio, de modo que pueda accederse al mismo sin desinstalar el electrodoméstico. Si no fuera posible, colocar el depósito de agua en la zona sombreada.

B Zona para la conexión a la red de potencia.

C Altura de la abertura, según el diseño de la cocina.

C = 24" (610 mm) como mínimo

## Accesorios y herramientas necesarias

### Accesorios que forman parte volumen de entrega

- Instrucciones para el montaje
- Instrucciones de funcionamiento
- Juego de instalación

### Accesorios opcionales

#### Combinación básico y sellado lado a lado BSEALKIT10

Para la conexión permanente de dos electrodomésticos individuales. P. ej. un congelador al lado de un refrigerador.

#### Combinación y calentamiento XHEATKIT10

Si el espacio entre los electrodomésticos es menor que 6" (160 mm).

#### Pieza de unión de partes (franja metálica) FPCONNTS10

Para la colocación de dos puertas de muebles. Puede utilizarse sin tener que efectuar trabajos preliminares para puertas de mueble con altura estándar.

### Otros accesorios necesarios

#### Juego para la instalación de un generador de hielo con línea de 1/4" de cobre

Para electrodomésticos que requieren agua. P. ej. para un generador de hielo.

### Otros

- Escalera
- Carro de mano
- Perforadora para practicar orificios en paredes o pisos
- Bits de diferentes tamaños y materiales
- Viguetas de madera (sección transversal mínima de 3" x 4") como protección alternativa contra vuelcos, de longitud adecuada al ancho de la cavidad
- Tornillos de madera de diferentes tamaños
- Material delgado, adecuado para evitar daños en el piso (p. ej. linóleo)
- Material adecuado para cubrir y proteger los muebles (p. ej. láminas de protección)
- Cinta adhesiva

#### Nota:

Verificar antes de usar la cinta adhesiva si ésta deja restos de adhesivo en las superficies de los componentes. En caso de que así fuera, no deberá usarse en aparatos con superficies delicadas y de alta calidad.

### Herramientas



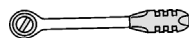
Destornillador a batería



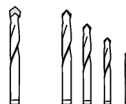
Bit tipo Torx T20 y T30 + un soporte magnético



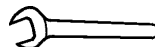
Destornillador tipo Torx T20



Destornillador de ranura en cruz 5/16" (8 mm)



Brocas para madera de diversas medidas



Llave de boca 1/2" (13 mm)



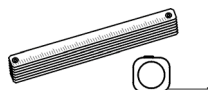
Pinza universal



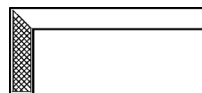
Llave ajustable



Cuchilla de hoja ajustable



Regla metálica, cinta métrica



Escuadra



Nivel de agua de 2' (60 cm) y 4' (1,2 m)

## Instrucciones de instalación

Las instrucciones de montaje siguientes describen los pasos a seguir para el montaje de los diferentes tipos de equipos:

- unidades de refrigeración
- unidades de congelación
- unidades de congelación con procesador para hielo
- unidades de depósito para vinos

Por ello puede ocurrir que las representaciones en las figuras diverjan de la realidad.

Se advierte especialmente respecto de pasos de montaje especiales para tipos de equipos individuales.

### 1. Control de la cavidad para la instalación

#### ⚠ ATENCIÓN:

Utilizar la lista de control siguiente a fin de proceder a una instalación sin problemas:

1. Controle la base.  
Siga las instrucciones de la sección «Instalación».
2. Controle las medidas de la cavidad.  
Siga las instrucciones de la sección «Medidas de instalación».
3. Controle que la cavidad esté a escuadra.
4. Controle la ubicación del tomacorriente.  
Siga las instrucciones de la sección «Conexión a la red de alimentación» y la sección «Medidas de instalación».
5. Controle la ubicación de la conexión del agua (únicamente en caso de electrodomésticos con generador de hielo).  
Siga las instrucciones de la sección «Conexión del agua» y la sección «Medidas de instalación».
6. Controle la sujeción de los muebles o adornos adyacentes. Todos los muebles en las cercanías del electrodoméstico deben estar firmemente sujetos a las paredes.
7. Controle que los muebles o adornos adyacentes no colisionen (ángulo de apertura de las puertas).

### 2. Desembalaje

#### ⚠ ADVERTENCIA:

Sea cuidadoso, de otra manera puede lesionarse la gente que le ayuda, o puede dañarse el electrodoméstico.

- El electrodoméstico puede volcar mientras se lo desembala o si se abren las puertas del mismo.
- El electrodoméstico es extremadamente pesado.

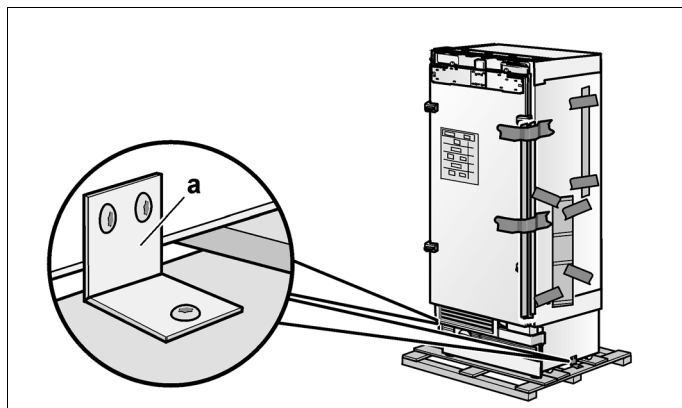
#### Nota:

Controle si el electrodoméstico presenta daños de transporte.

No instale el electrodoméstico si presenta daños visibles. En caso de dudas, consulte con su vendedor.

Para proteger la base de daños durante la instalación:

1. Quite el cartón. Utilice la cuchilla con cuidado para no rayar el electrodoméstico.
2. Colocar la placa de cartón o madera del embalaje debajo del electrodoméstico.
3. Retirar los accesorios sujetos al cuerpo exterior del aparato.  
Guardar las tiras adhesivas de los accesorios sujetos al aparato. Servirán posteriormente para fijar las protecciones de los bordes en las paredes del hueco de montaje (véase el capítulo «A / 3. Protección de los bordes»).
4. Soltar los seguros de transporte (a) y retirar el aparato del palet de transporte, alzándolo a tal efecto – ¡prestar atención al elevado peso del aparato!



5. Abrir las puertas del aparato cuidadosamente – ¡existe peligro de vuelco! – y retirar los accesorios y el material de montaje de su interior. Cerrar la puerta.

#### Nota:

Retirar los seguros de transporte de las bandejas y cajones del aparato sólo una vez que se ha instalado éste en su emplazamiento definitivo, de lo contrario podrían sufrir daños.

### 3. Transporte del electrodoméstico

#### ⚠️ ADVERTENCIA:

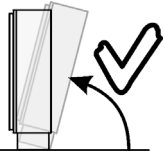
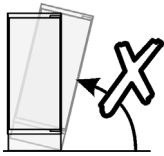
Por ello debe tenerse especial cuidado, ya que eventuales colaboradores pueden verse lesionados o el equipo puede sufrir daños. El electrodoméstico es extremadamente pesado.

El equipo presenta una altura de 83<sup>1</sup>/<sub>8</sub>" (2126 mm). Si no se puede transportar el equipo en posición vertical, debido a las características constructivas del sitio, puede transportárselo acostado.

#### Nota:

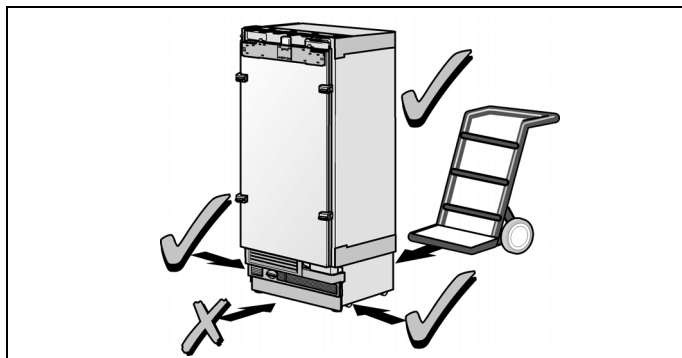
¡No erigir el electrodoméstico sujetándolo de las paredes laterales!  
Existe riesgo de daños en el electrodoméstico.

Tener en cuenta la altura mínima necesaria en el sitio de emplazamiento cuando se quiere parar el equipo, siguiendo los datos de la tabla siguiente:

Parar el equipo por la pared posterior	Parar el equipo por la pared lateral
	
La altura mínima 86"/2185 mm	¡No erigir el electrodoméstico sujetandolo de las paredes laterales!

#### Nota:

Aplicar la carretilla de transporte siempre en el centro de la parte posterior del aparato. ¡No aplicarla nunca en la parte frontal o en uno de los laterales!  
¡El aparato puede sufrir daños o desperfectos!

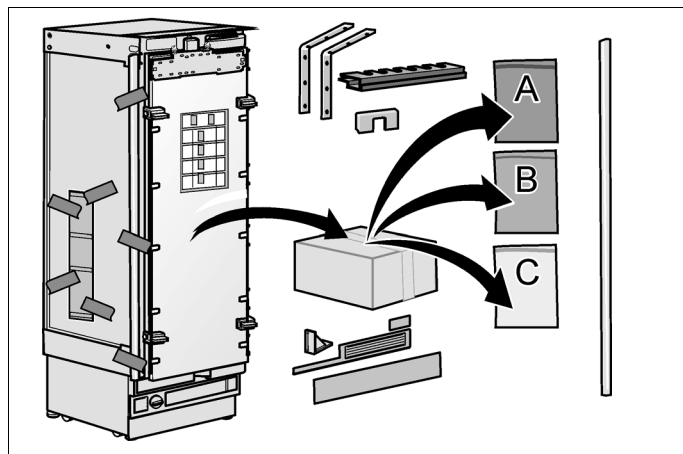


1. Transportar el equipo con elementos de transporte adecuados al sitio de emplazamiento y al equipo mismo (carretilla para sacos, elevador a horquillas o carro).
2. Asegurar el electrodoméstico para que no pueda volcarse durante el transporte.

### 4. Preparativos para el montaje

Desembalar el material de montaje y los accesorios.

A fin de simplificar la instalación, el embalaje se identifica mediante etiquetas A, B y C, correspondientemente a las secciones del manual.



### 5. Instalación especial

Esto significa que deben cumplimentarse pasos adicionales antes de pasar al capítulo siguiente.

Los pasos de instalación especiales se describen después de la sección C.



- Por el cambio de la bisagra de la puerta superior, ver «Cambiando las bisagras».
- Por la esterilla selladora, ver «Quitado / cambio de la esterilla de sellado»
- Por la instalación lado a lado, ver «Instalación Side-by-Side (lado a lado)».
- Por la conexión del agua, ver «Preparación para conectar el agua» an «Conexión del agua al electrodoméstico».
- Por el dispensador de agua helada, ver «Orientación del dispensador de hielo y agua».
- Por los listones de cobertura de la unidad para vino, ver «Colocación del listón de cobertura y del depósito»
- Por el tope para la puerta, ver «Ajuste del ángulo de apertura de la puerta».



# 1. Colocación de los ángulos antivuelco

## ⚠️ ADVERTENCIA:

¡Existe peligro de lesiones y daños! Asegure que no existan cables eléctricos o tuberías en la zonas donde deben penetrar los tornillos.

## ⚠️ ATENCIÓN:

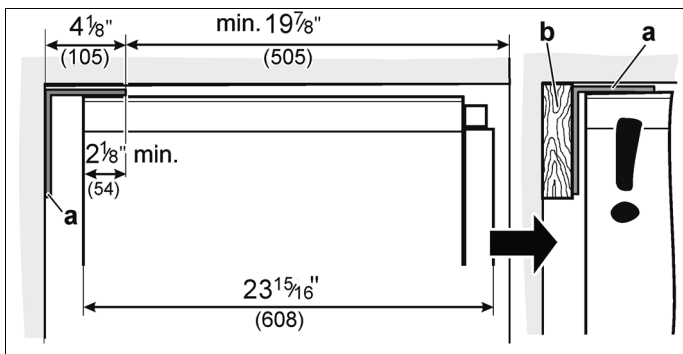
¡Peligro de lesiones! Utilice siempre gafas y otros dispositivos de protección cuando instala o trabaja con tarugos.

### Nota:

- Se requiere de dos ángulos antivuelco para cada electrodoméstico.
- El juego suministrado comprende diversos tronillos para diferentes instalaciones. Seleccione los tornillos de acuerdo a las condiciones.

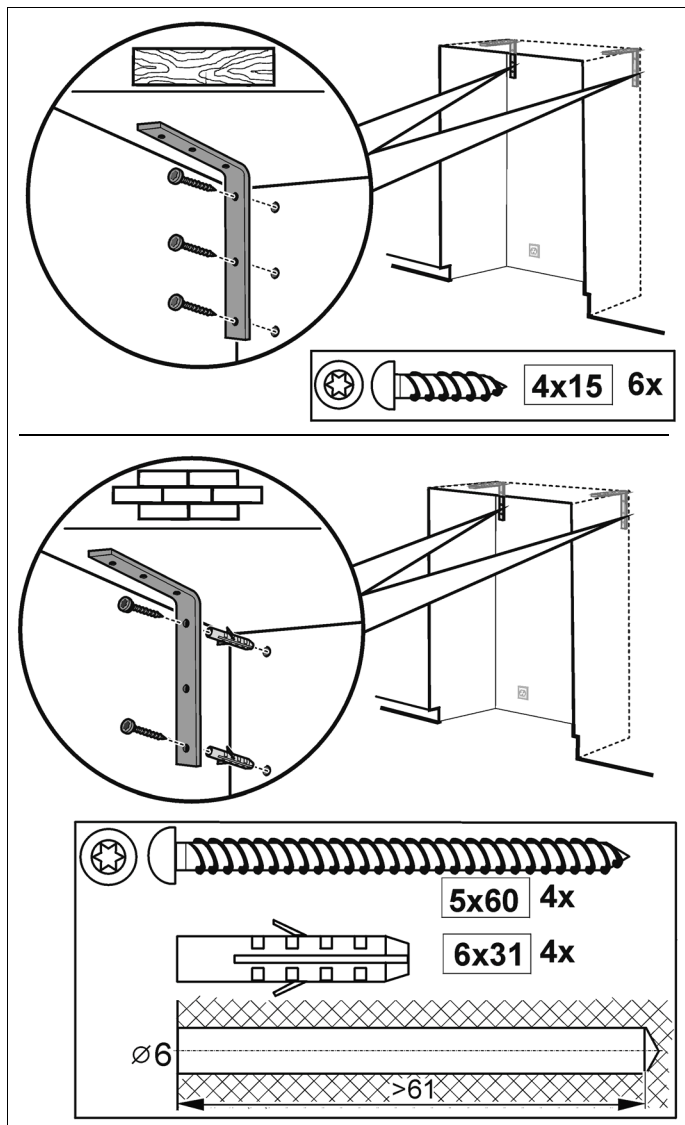
Los ángulos antivuelco (a) deben presentar una longitud mínima sobre el electrodoméstico de  $2\frac{1}{8}$ " (54 mm) a fin de asegurar un emplazamiento seguro del equipo.

Si no se puede dar cumplimiento a esta longitud mínima debido a condiciones estructurales, puede lograrse ésto, sujetando un espaciador (b) detrás del ángulo antivuelco, es decir un trozo de madera de dimensiones suficientes.



¡La longitud de la madera debe estar de acuerdo con el ancho del espacio disponible para la instalación!

1. Determine los puntos de sujeción para los ángulos antivuelco.  
Determine las medidas en detalle, consultando la sección «Medidas de instalación».
2. Sujete completamente los ángulos antivuelco.  
Asegúrese que los tornillos estén firmes.



## Notas importantes para la sujeción mediante tarugos y tornillos:

No recomendado para ser usado en material de mampostería liviana como bloques y ladrillos.

No recomendado para ser usado en cemento fresco que no ha tenido tiempo de fraguar.

## 2. Montaje de un dispositivo antivuelco adicional

### Importante:

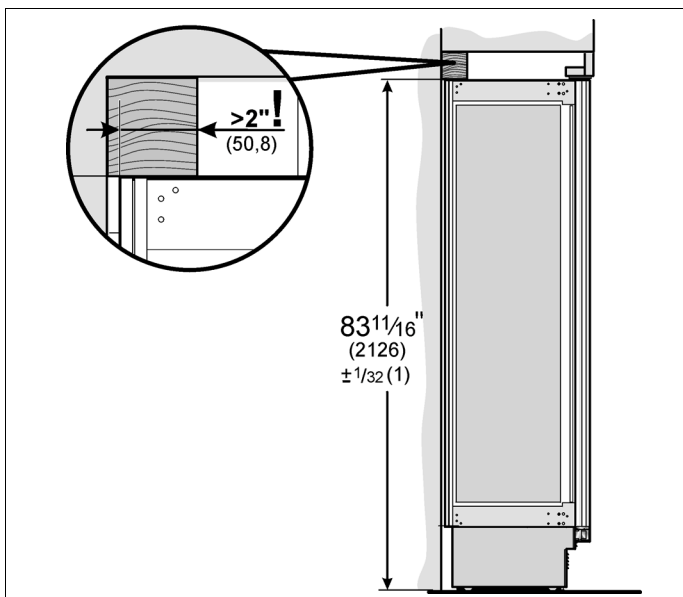
Si no se pueden montar los ángulos antivuelco con la firmeza requerida, puede montarse un dispositivo antivuelco alternativo. Sin embargo, debe asegurarse, de que no exista juego entre el electrodoméstico y el dispositivo antivuelco. Si es posible, atornille las viguetas de madera sobre monturas ya existentes en la pared de la cavidad.

1. Corte la vigueta de madera (sección transversal mín. 3" x 4") a la longitud requerida.

¡La longitud debe ser igual a la anchura de la cavidad de instalación!

**Nota:**

- Si la cavidad de instalación es más profunda que el electrodoméstico, seleccione una vigueta que presente una sección transversal mayor, o monte dos viguetas.
- La vigueta debe exceder el electrodoméstico en un mínimo de 2" (50,8 mm).



2. Marque la altura de instalación (esquina inferior de la madera) sobre el panel posterior de la cavidad.
3. Seleccione los tornillos de acuerdo al espesor de la vigueta de madera: longitud = mín. 2,5 x el espesor de la vigueta, diámetro # 12 o # 14.

**Nota:**

Especifique la cantidad de tornillos, de acuerdo al ancho de la cavidad, asegurando que la vigueta quede montada firmemente.

4. Según el tipo de piso:

Ubique la pared vertical cerca de la pared posterior de la cavidad y marque las perforaciones en la vigueta.

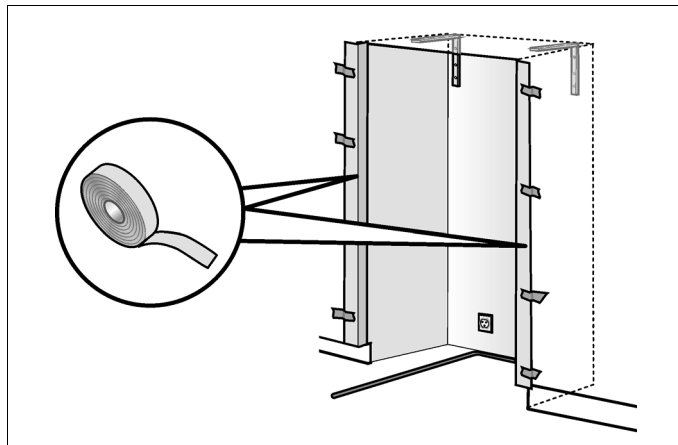
o

Fijar unos tacos adecuados en el panel posterior del hueco de montaje.

5. Perfore previamente la vigueta de madera.
6. Sujete la vigueta de madera en la pared posterior de la cavidad

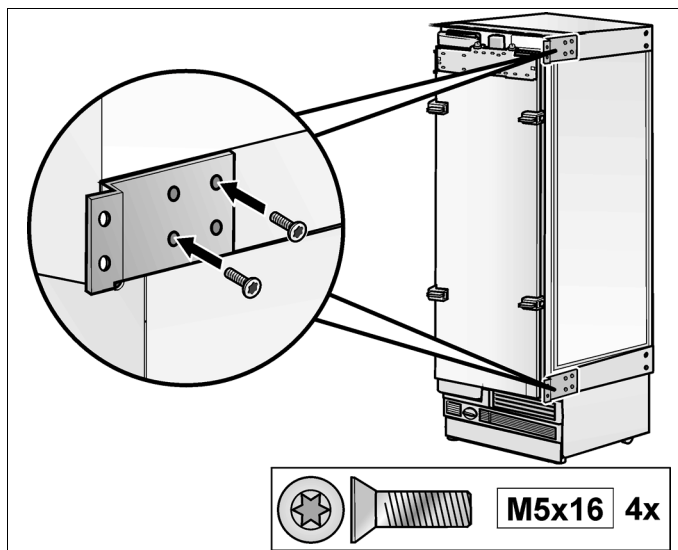
### 3. Protección de las esquinas

A fin de proteger las esquinas del encerramiento de instalación, es recomendable colocar protección confeccionadas de un material adecuado.



### 4. Fijar las placas de sujeción (laterales)

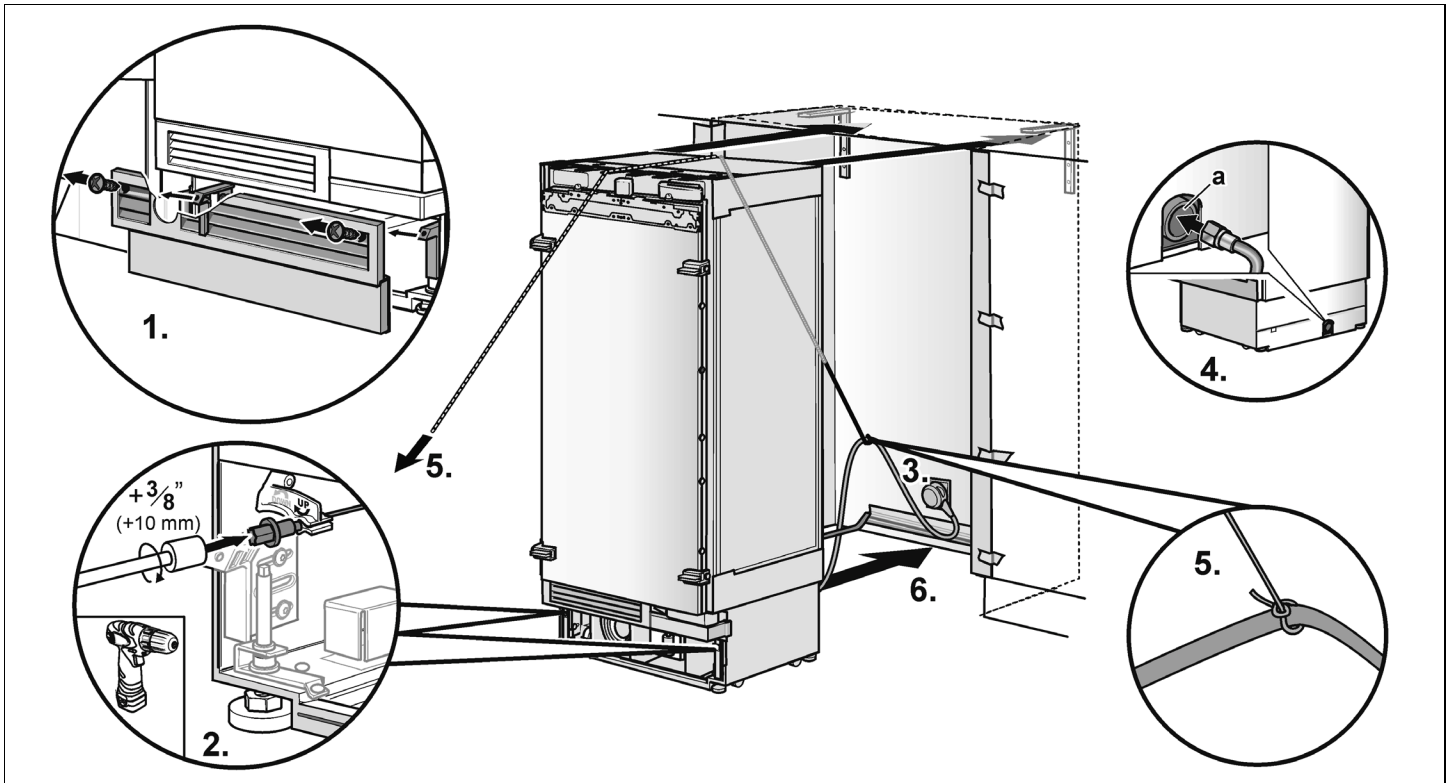
Montar las placas de sujeción (laterales) en el aparato.



Estos son pasos de instalación especiales. Las instrucciones del caso se dan después de la sección C.

- Por el cambio de la bisagra de la puerta superior, ver «Cambiando las bisagras».
- Por la esterilla selladora, ver «Quitado / cambio de la esterilla de sellado»
- Por la instalación lado a lado, ver «Instalación Side-by-Side (lado a lado)».
- Por la conexión del agua, ver «Preparación para conectar el agua».

## 5. Colocando el electrodoméstico en la cavidad de instalación



### ⚠ ATENCIÓN:

Tenga cuidado al empujar el electrodoméstico al interior de la cavidad. No dañe la tubería de agua o el cable de alimentación.

### Nota:

Si el piso o el electrodoméstico es inclinado respecto de la cavidad de instalación, ajuste las ruedas ajustables en altura, antes de introducir el electrodoméstico en la cavidad.

1. Quitar el panel base.
2. Subir las ruedas ajustables en altura posteriores en aprox.  $\frac{3}{8}$ " (10 mm).
3. Conecte el enchufe en el tomacorriente.
4. Introducir la alimentación de agua en el tubo de protección (a) que se encuentra en la parte posterior del electrodoméstico.

### ⚠ ADVERTENCIA:

Obrar con cuidado para que no se lastimen las personas que ayudan en la instalación ni evitar que se produzcan daños en el electrodoméstico.

El electrodoméstico puede volcar mientras se conecta la alimentación de agua al tubo de conexión.

5. A fin de evitar daños en el cable de alimentación, favor de sujetar un trozo de hilo en el medio del mismo, pasando a éste último por encima del electrodoméstico. Al empujar el equipo, favor de tirar el cable hacia arriba. Cuidar de no magullar el cable de conexión.

### o bien

Pegue el cable mediante cinta adhesiva en el suelo detrás del electrodoméstico a una distancia aprox. de 15" (380 mm) de la pared posterior de la cavidad.

6. Empuje cuidadosamente el electrodoméstico hacia el interior de la cavidad.
7. Quitar la protección de las esquinas (de existir).

## 1. Alineación del electrodoméstico

### Nota:

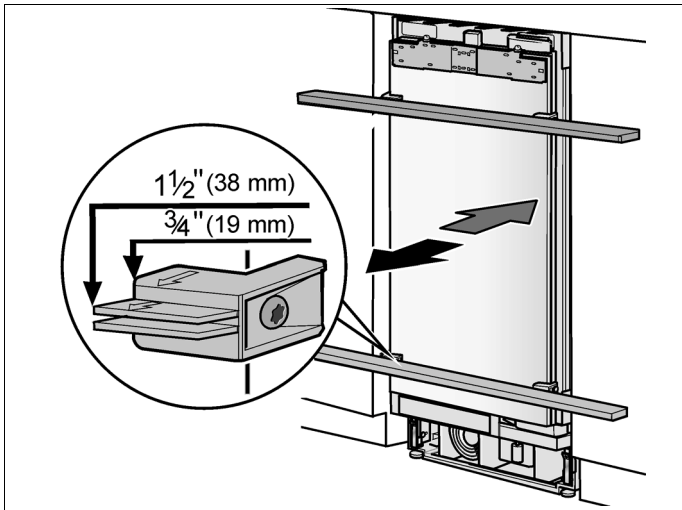
- A fin de asegurar que el electrodoméstico funcione correctamente debe estar perfectamente nivelado.
- ¡No gire o presione el electrodoméstico dentro de la cavidad! Cuando desenrosque las patas de altura ajustable, proceda de modo gradual: alterne siempre entre la derecha y la izquierda, repitiendo el proceso alternativamente.
- El ajuste de las patas posteriores se facilita si se descarga la parte posterior del equipo.
- No apoyar el electrodoméstico contra los topes antivuelco.

Las piezas auxiliares sobre la puerta fueron diseñadas para un espesor total de las puertas de los muebles:

- $\frac{3}{4}$ " (19 mm)
- $1\frac{1}{2}$ " (38 mm)

Tenga siempre en cuenta los espesores eventualmente diferentes de los frentes de los muebles que se sujetarán.

1. Alinee el electrodoméstico con los frentes de los muebles.  
Coloque el nivel de marcar o las piezas auxiliares para la instalación sobre la puerta.



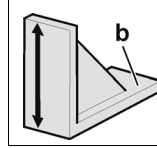
Las ruedas de altura ajustable tanto del frente como de la parte posterior, pueden ajustarse desde el frente.

Frente: Llave de boca de  $\frac{1}{2}$ " (SW 13 mm)

Fondo: Destornillador en cruz  $\frac{5}{16}$ " (8 mm) con vástago flexible.

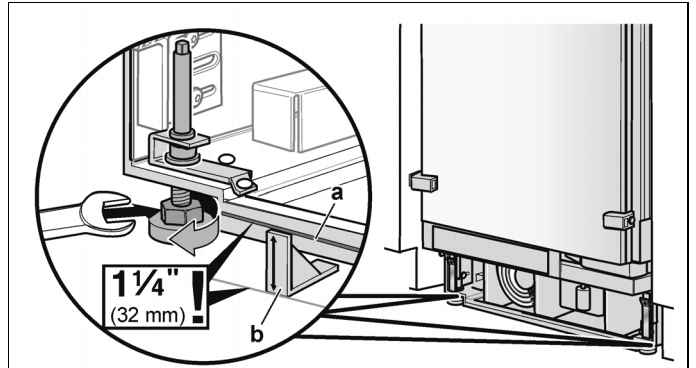
Como medida sugerida para el ajuste de la altura, se ha practicado una marca (a) en la pata del equipo. Durante el ajuste, esta marca (a) debe ajustarse esta marca a una altura de  $1\frac{1}{2}$ " (32 mm) sobre el nivel del suelo.

¡Es sumamente importante cumplir con estas medidas, para lograr una buena alineación de los frentes de los muebles!

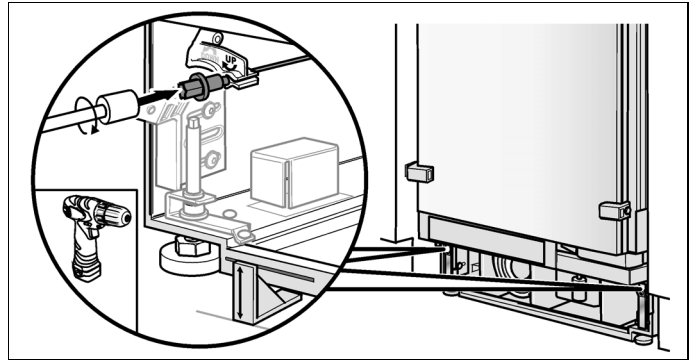


El elemento de ajuste de altura (b) se utiliza para el ajuste correcto de la misma. La esquina superior del elemento debe estar alineada con la marca que se encuentra en el equipo.

2. Desatornillar las patas anteriores del electrodoméstico hasta que la marca (a) que se encuentra en el electrodoméstico se encuentra alineada con la esquina superior del elemento de ajuste (b).



3. Alinear el electrodoméstico en sentido vertical, haciendo uso de las patas posteriores.  
¡Utilizar un nivel!

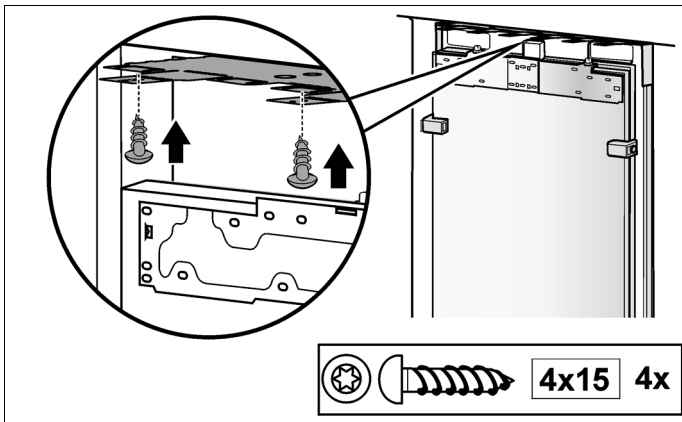


## 2. Sujetando el electrodoméstico a la cavidad

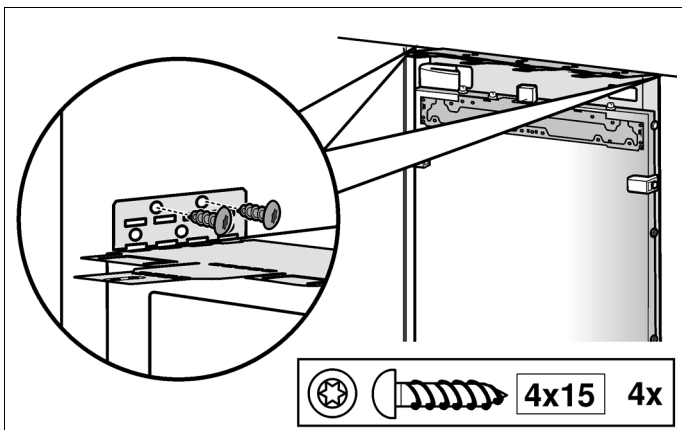
### Nota:

Es indispensable sujetar el electrodoméstico en la parte superior del encerramiento.

1. Atornille las placas de las eclisas de sujeción (superiores) al mueble o adorno superpuesto.
2. Si en la parte superior del electrodoméstico existe un espacio mayor, es indispensable montar una vigueta de madera de medidas adecuadas, libre de juego sobre el equipo.



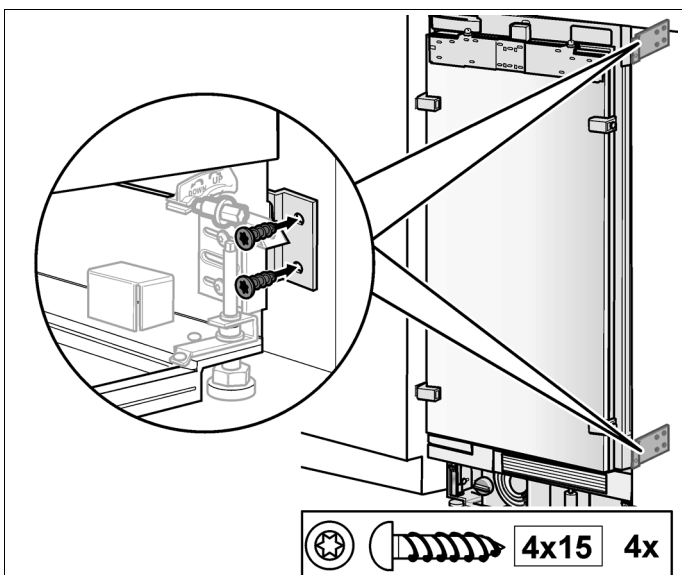
3. Si existe suficiente espacio en la parte superior del electrodoméstico, sujetar las piezas de conexión de las placas de sujeción (superiores) en la pared lateral del encerramiento.



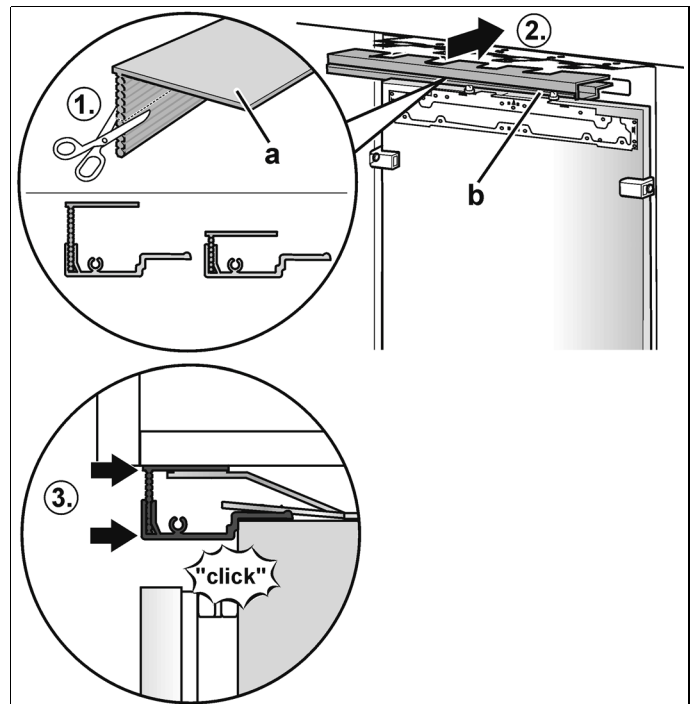
4. Atornille las placas de sujeción (laterales) a los muebles o adornos laterales.

**Nota:**

En un montaje lado a lado, esta operación no es posible. Estas piezas están desarmadas.



5. Cortar el listón de sujeción (a) a la longitud requerida para cerrar el espacio libre.
6. Presionar el listón de sujeción (a) contra el listón de cobertura (superior).
7. Sujete el listón de cobertura (b) en la placa de montaje (arriba).



**Nota:**

En caso de una instalación lado a lado, conectar ambos rieles de cobertura en el perno separador que forma parte de los accesorios para este tipo de instalación.



Estos son pasos de instalación especiales. Las instrucciones del caso se dan después de la sección C.

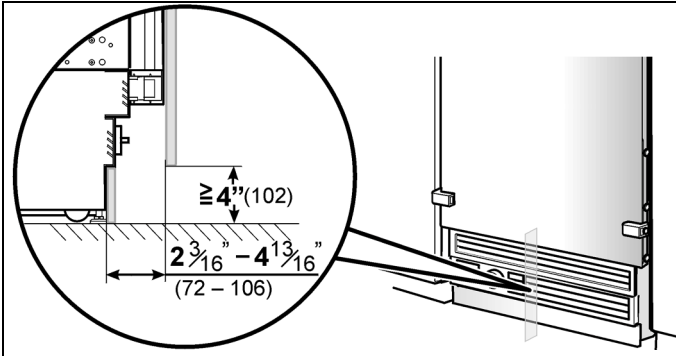
- Por la conexión del agua, ver «Conexión del agua al electrodoméstico».

## 1. Sujeción del panel de protección

### Nota:

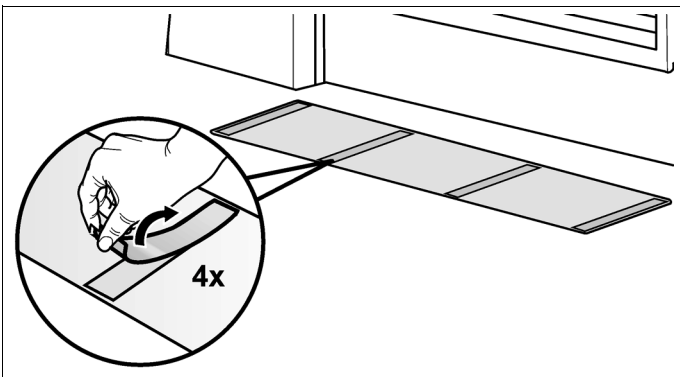
No obture las aberturas de ventilación en el base del panel. Existe riesgo de daños en el electrodoméstico.

Medidas nominales a tener en cuenta:

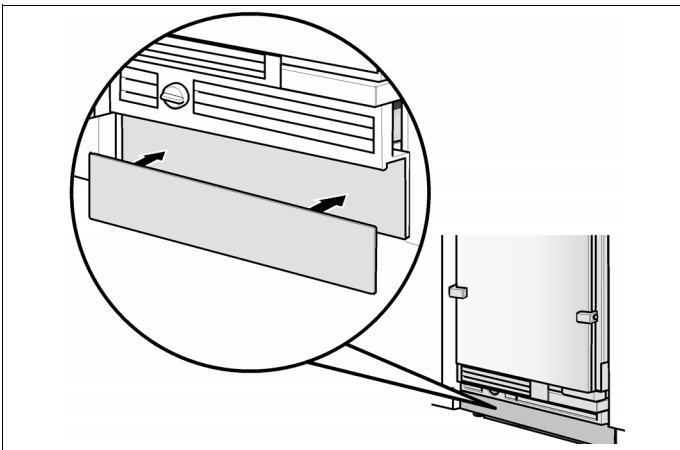


### Panel de acero inoxidable (accesorio)

1. Sujetar el panel base en el electrodoméstico (no atornillar).
2. Quitar la película de protección de las bandas adhesivas.



3. Sujetar el panel de protección contra golpes en el panel base y presionarlo firmemente en su sitio.

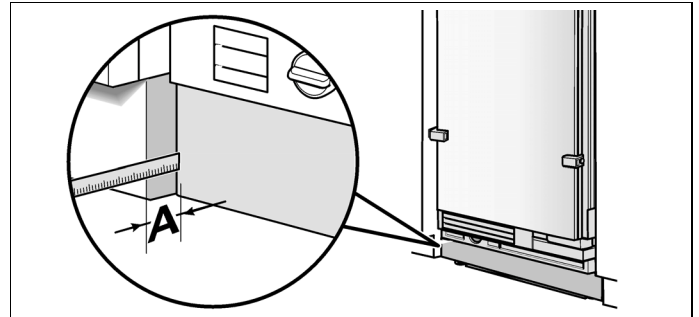


## Panel de madera

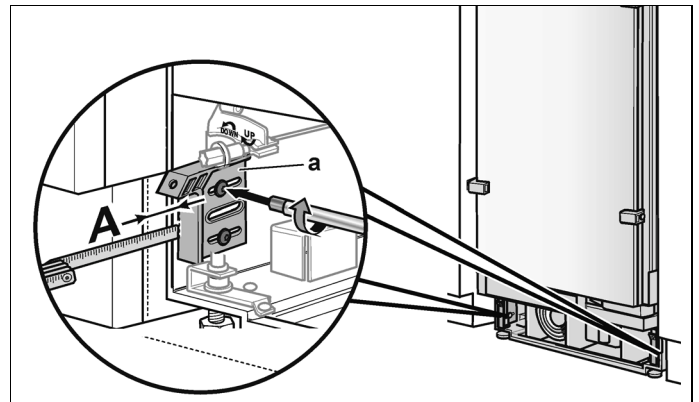
1. Si hiciera falta, cortar el panel de madera a la longitud necesaria.
2. Atornillar el panel de madera en el panel base desde la parte posterior. También hay perforaciones para los tornillos en el panel base.

## 2. Alineación del panel de protección

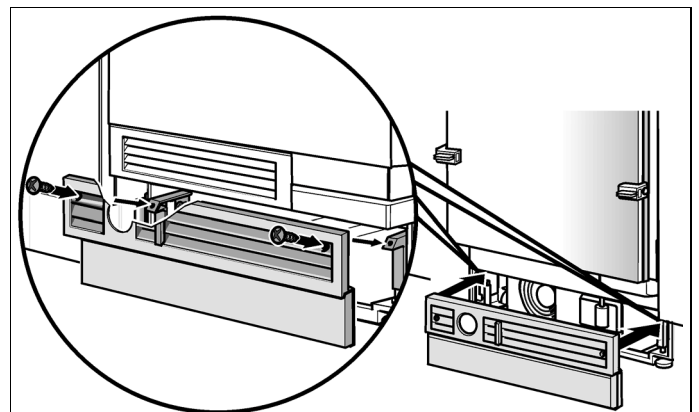
1. Aplique el panel base (sin atornillar) y mida la diferencia **A** entre el panel base y el panel de protección del mueble adyacente.



2. Quite el panel base.
3. Ajustar los topes (a) a la medida **A** y sujetarlos.



4. Monte el panel base.



### 3. Puesta en marcha del electrodoméstico

A fin de garantizar la exactitud de los pasos a realizar a continuación ya que tendrán influencia en la imagen de apariencia de todo el frente de la cocina, ahora debe ponerse en marcha el equipo.

1. Abra la puerta del electrodoméstico.
2. Accione el pulsador POWER.
3. Volver a accionar el pulsador POWER a fin de cerrar.

#### Únicamente para equipos que disponen de una conexión de agua:

A fin de evitar eventuales daños debidos al agua que pueda surgir en caso de una avería de la tubería correspondiente, debe dejarse todavía cerrado el grifo del agua.

### 4. Preparación de las puertas mueble

#### Importante:

Si realiza cualquier trabajo en las puertas de los mueble, tenga siempre en cuenta:

- atornille siempre en el material que mejor soporta la carga en la puerta del mueble,
- nunca colocar tornillos en los paneles de las puertas, listones decorativos o similar,
- seleccione siempre una longitud de los tornillo que sea inferior al espesor de la puerta,
- proteja las superficies de las puertas durante el trabajo, a fin de evitar daños.

El peso total del frente del mueble, no debe exceder los valores siguientes:

- Electrodoméstico de 18": 44 lbs/20 kg (19 lbs/8,5 kg \*)
- Electrodoméstico de 24": 55 lbs/25 kg (32 lbs/14,5 kg \*)
- Electrodoméstico de 30": 64 lbs/29 kg

(\* Conservador de vinos)

En el caso de electrodomésticos de 30" y 36" de ancho, pueden sujetarse 2 puertas adyacentes una con otra, en vez de una puerta grande. Estas puertas deben conectarse mediante un listón metálico en la parte posterior.

Este listón metálico, puede adquirirse en el vendedor local como accesorio opcional. Consulte la sección «Accesorios opcionales».

#### Nota:

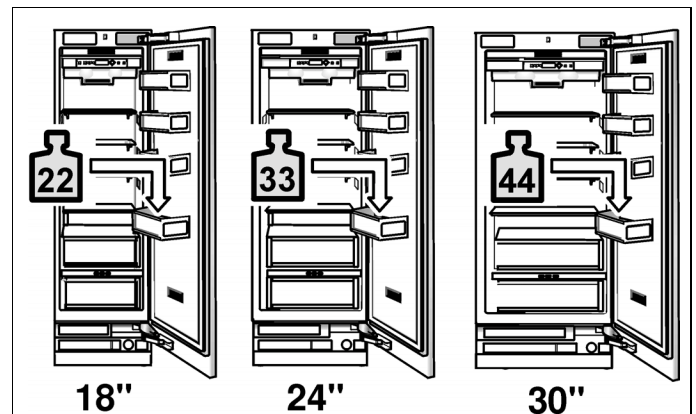
Las instrucciones para implementar este paso de la tarea, se encuentran en las instrucciones de instalación que vienen por separado para este accesorio.

### 5. Carga admisible en la puerta electrodoméstico

A fin de lograr una exactitud máxima en las medidas de las ranuras de las puertas de los muebles, se recomienda aplicar pesas en las gavetas de la puerta.

Se recomienda:

- Electrodoméstico de 18": 22 lbs/10 kg
- Electrodoméstico de 24": 33 lbs/15 kg
- Electrodoméstico de 30": 44 lbs/20 kg

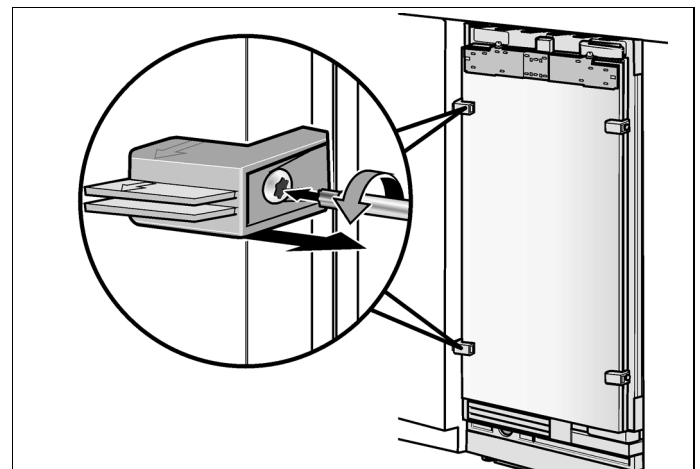


### 6. Quitar el elemento auxiliar para el posicionamiento

Desatornille el soporte de instalación de la puerta del electrodoméstico.

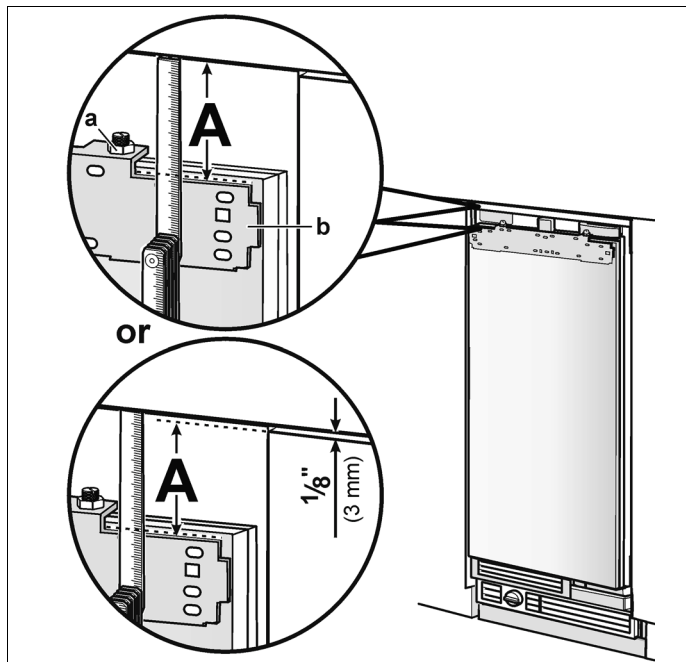
#### Nota:

Los elementos auxiliares para el posicionamiento son necesarios para el montaje ulterior.

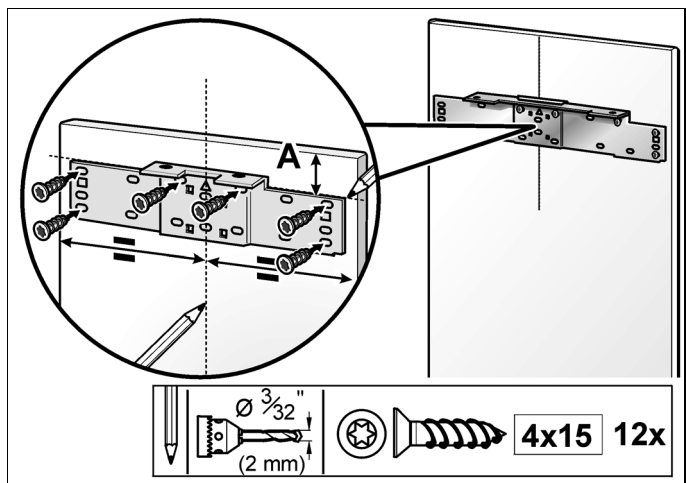


## 7. Montaje del riel de ajuste en la puerta del mueble

1. Mida la distancia **A** entre el riel de ajuste (b) y la parte superior del mueble.



2. Afloje las 2 tuercas (a) y quite el riel de ajuste (b).
3. Marque la medida **A** sobre la parte posterior de la puerta del mueble.
4. Determine y marque el centro de la puerta del mueble.
5. Aplique el riel de ajuste, alineando a lo largo de las marcas. Marque los orificios.
6. Perfore en estas marcas.
7. Atornille el riel de ajuste firmemente.



### Nota:

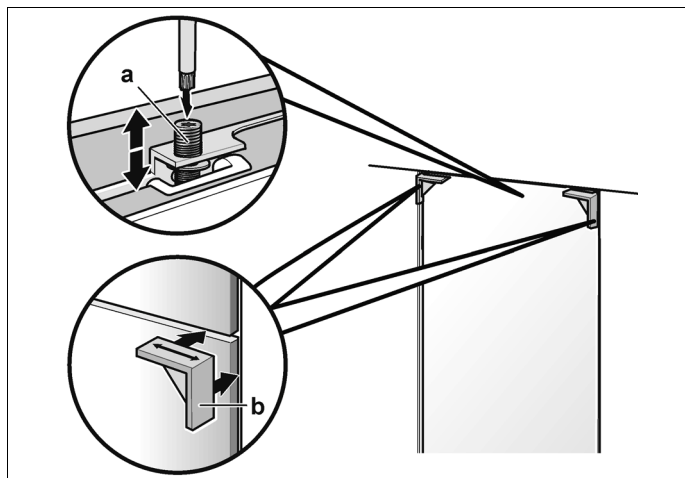
- Sujete el riel de ajuste con un mínimo de 10 tornillos a la puerta del mueble. Debe insertarse un tornillo debajo de cada perno de doble rosca.
- El riel de ajuste presenta una gran variedad de perforaciones, para cubrir las diversas posibilidades de puertas de los muebles. Atornille siempre en las partes donde la puerta del mueble presente la mejor capacidad de porte.

## 8. Sujeción de los listones correspondientes al panel puerta

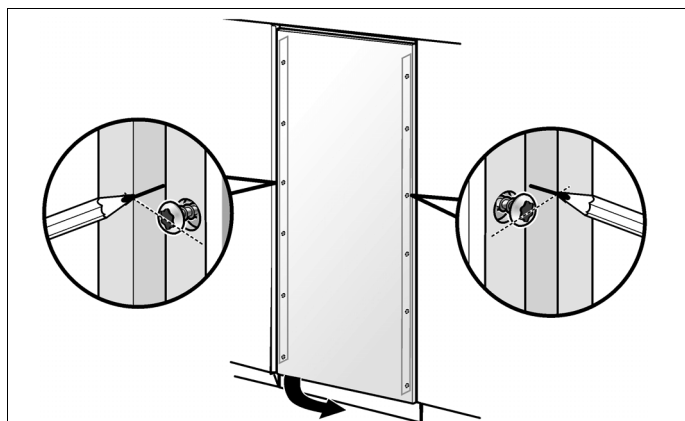
### Nota:

Los listones de sujeción están preensamblados para puertas de acero inoxidable. Continuar con el paso de instalación siguiente en este caso («C / 9. Sujeción de la puerta del mueble»).

1. Cuelgue la puerta de los pernos de doble rosca (a).
2. Alinee la puerta mediante los pernos de doble rosca (destornillador Torx).  
Controlar repetidamente las medidas del espacio. Utilizar el elemento de control (b) a tal fin.

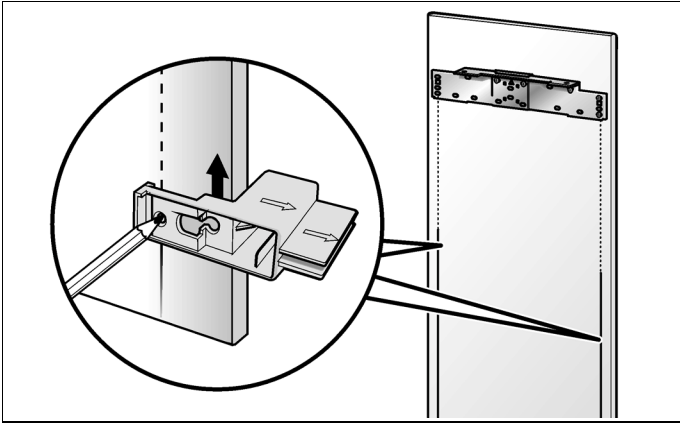


3. Transfiera la posición de los tornillos centrales a través del borde exterior de la puerta del mueble, a la parte frontal del mueble, practicando una marca.

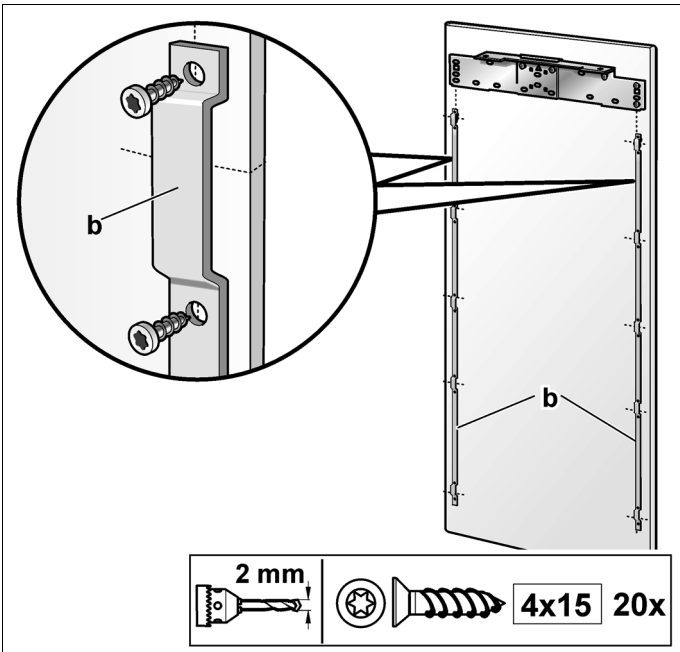




4. Quite la puerta del mueble.
5. Trazar sendas paralelas en los dos lados largos de la puerta del mueble con ayuda del soporte de instalación.



6. Extienda las marcas de los orificios que acaba de hacer, a las marcas verticales mediante una escuadra.
7. Aplique el riel de sujeción y marque los orificios.
8. Perfore en estas marcas.
9. Atornille los rieles de sujeción.

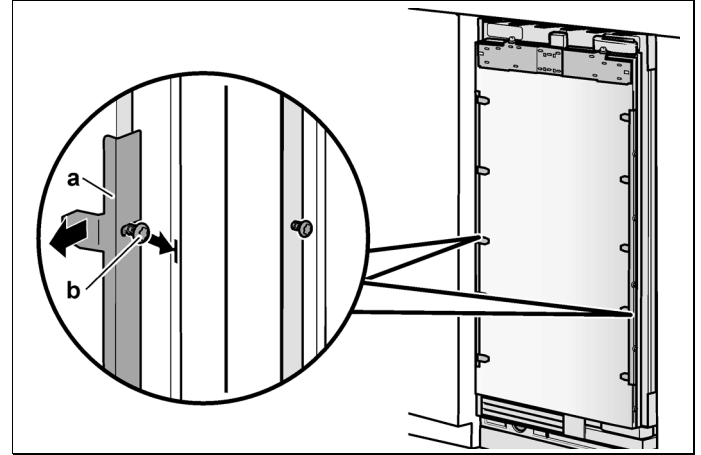


## 9. Sujeción de la puerta del mueble

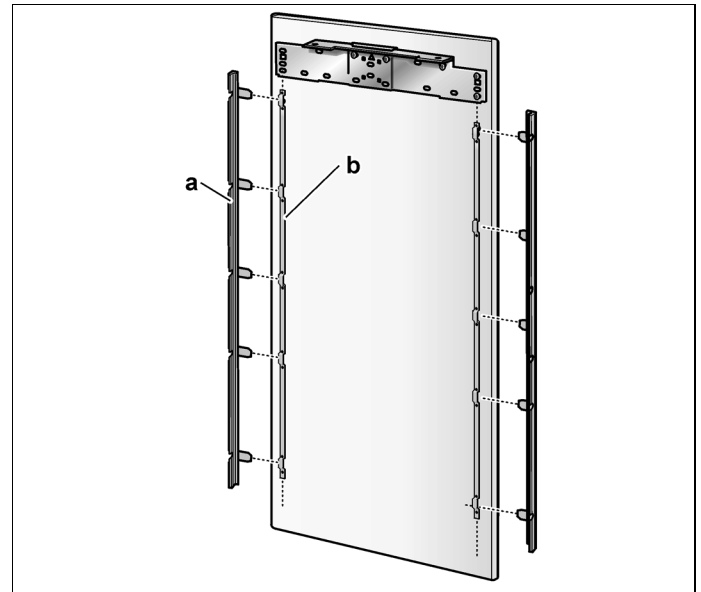
### Nota:

Atornille ahora las manijas del mueble que ha quitado anteriormente!

1. Quitar los soportes de sujeción (a) de la puerta del electrodoméstico. Para lograrlo, aflojar solamente los tornillos (b) del listón.

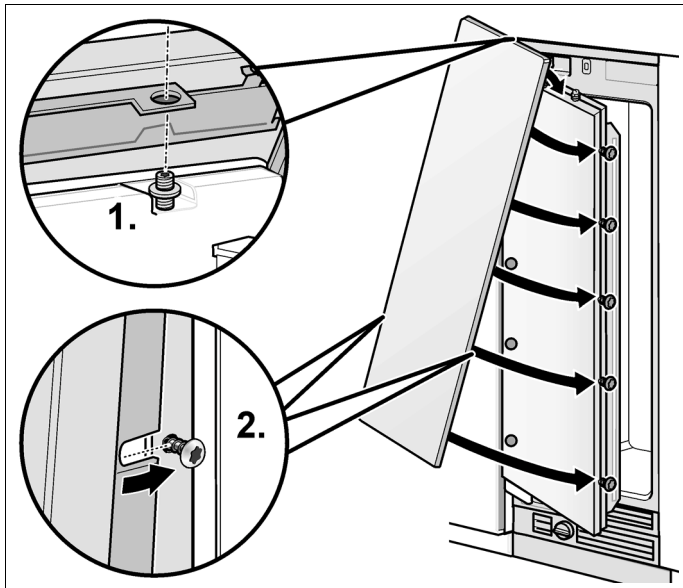


2. Insertar los soportes de sujeción quitados (a) en los rieles de ajuste (b) del panel de la puerta.

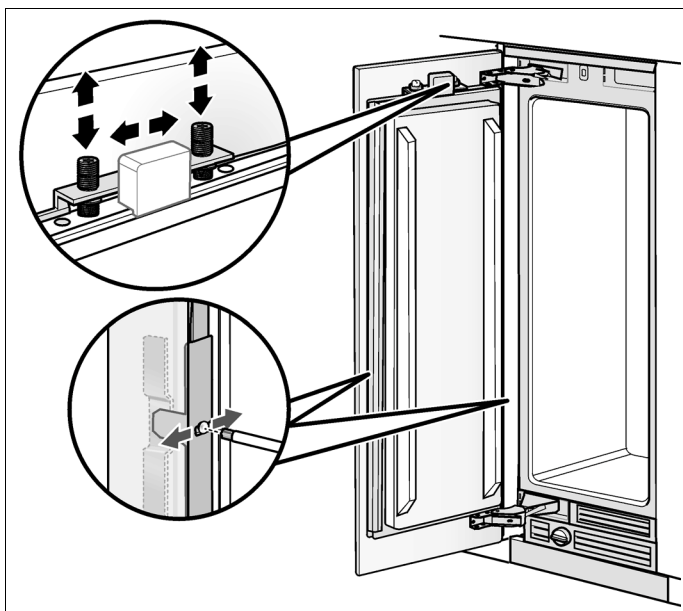


3. Abrir la puerta del aparato.

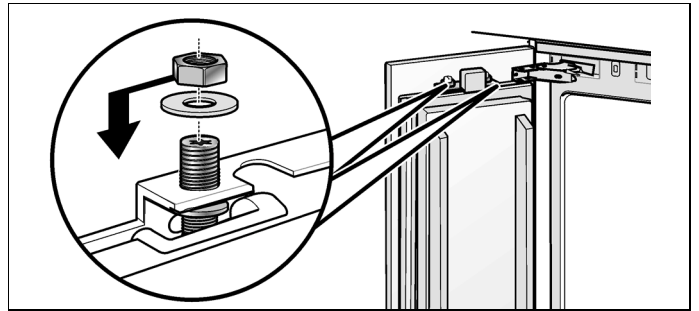
4. Cuelgue la puerta con el riel de ajuste sobre los pernos de doble rosca (1.).
5. Eleve levemente la puerta del mueble, empujando luego el riel de sujeción hacia abajo sobre las grampas de sujeción (2.).



6. Alinear la puerta del mueble mediante los pernos de doble rosca (y un destornillador Torx). Controlar la holgura.
7. Cierra la puerta y controle que la profundidad del frente del mueble esté alineado con los frentes adyacentes. Corrija si hace falta.
8. Ajuste los tornillos de los soportes, a fin de fijar la profundidad de alineación.
9. Cierre la puerta y controle la alineación. Corrija golpeando suavemente en el borde de la puerta con la mano.



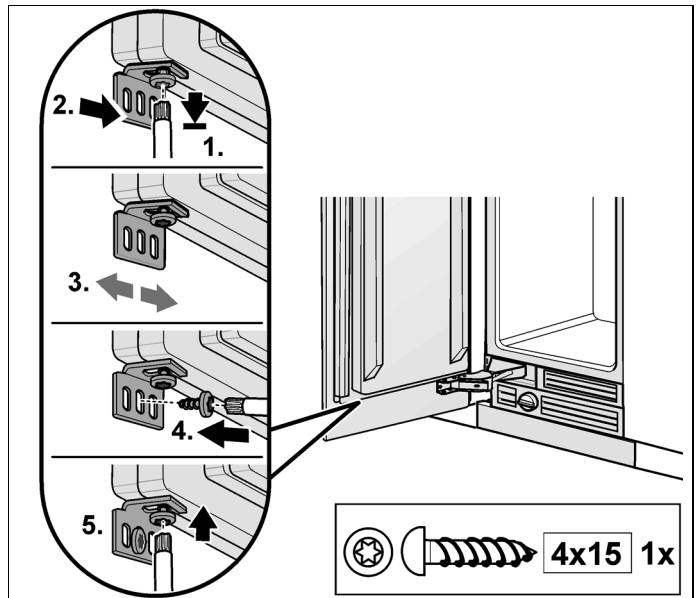
10. Ajuste las tuercas en el riel de ajuste. Esto fijará el ajuste lateral de la puerta.



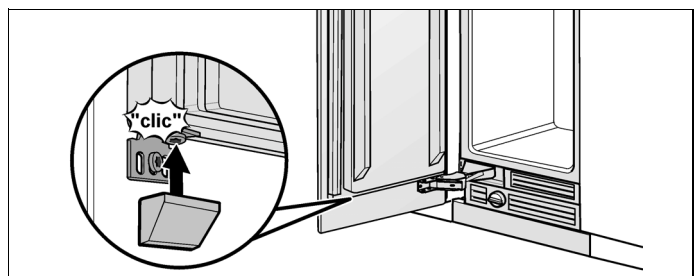
## 10. Montaje de los soportes inferiores

Los soportes inferiores ajustan la alineación lateral de la puerta. La cantidad de soportes inferiores depende del ancho y el diseño de la puerta del mueble. Atornille los soportes inferiores (correspondiente al juego de elementos auxiliares). ¡Practique orificios preparativos en la puerta del mueble!

1. Afloje los tornillos.
2. Desplazar el soporte sobre el tornillo.
3. Controle la posición lateral de la puerta.
4. Atornille los tornillos de madera.
5. Ajuste los tornillos.

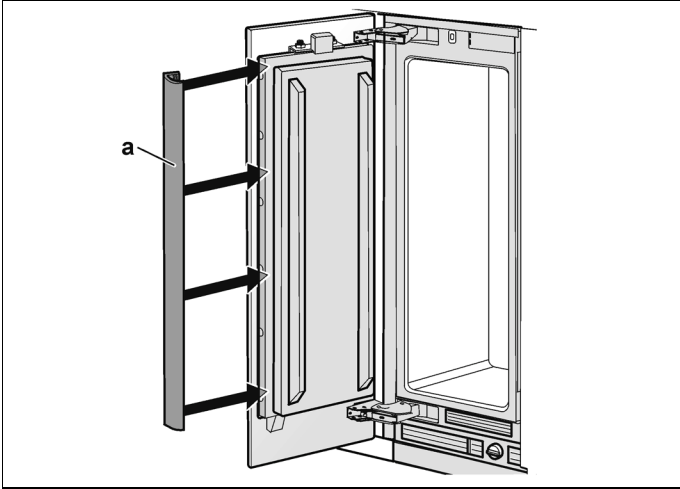


6. Coloque la cubierta sobre los soportes.

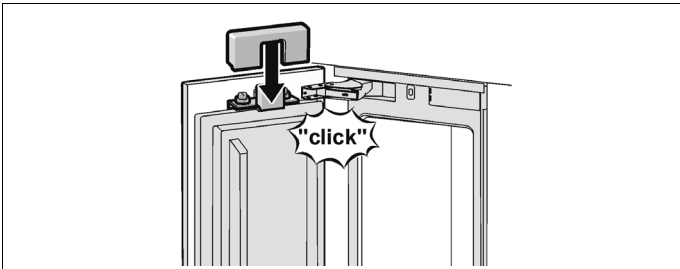


## 11. Montaje de las cubiertas

1. Monte el riel de cobertura (a).



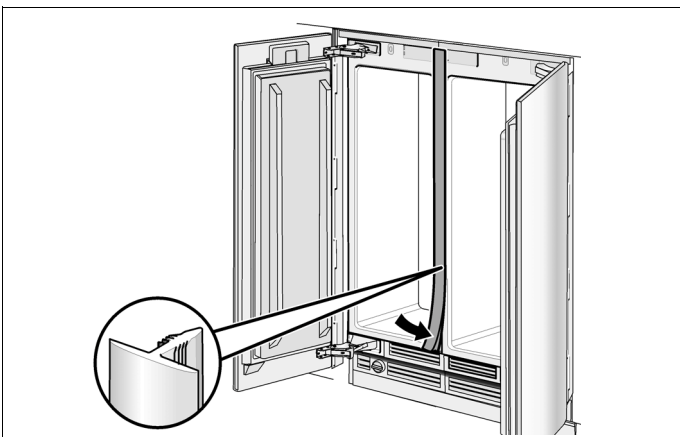
2. Monte la cubierta para el conmutador de la luz. La cubierta pueden atornillarse en la puerta.



### Únicamente en caso de instalación Side-by-Side (Lado a lado):

Inserte el listón de cobertura en el espacio comprendido entre los electrodomésticos.

El listón de cobertura está incluido en el kit estanqueizador para la instalación lado a lado.

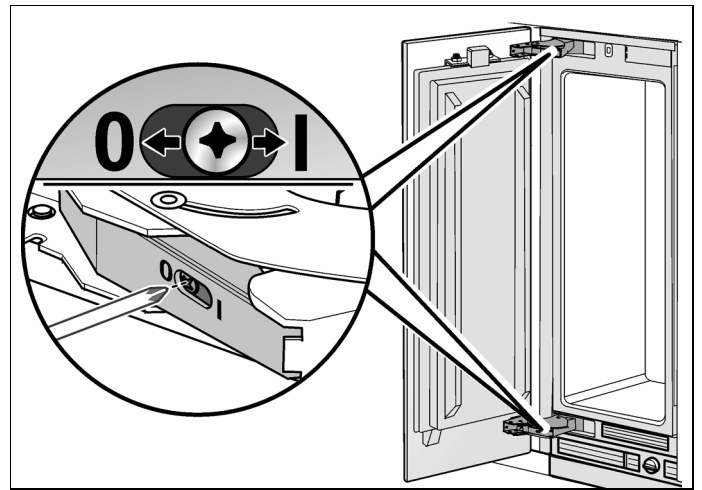


## 12. Cambio del muelle de la puerta

Girar del tornillo de ajuste mediante un destornillador para ranura en cruz.

I = aumenta la tensión del muelle

0 = disminuye la tensión del muelle



Estos son pasos de instalación especiales. Las instrucciones del caso se dan después de la sección C.

- Por el dispensador de agua helada, ver «Orientación del dispensador de hielo y agua».
- Por los listones de cobertura de la unidad para vino, ver «Colocación del listón de cobertura y del depósito»
- Por el tope para la puerta, ver «Ajuste del ángulo de apertura de la puerta».

Con esto, el montaje del aparato ha concluido.



## Instalación especial

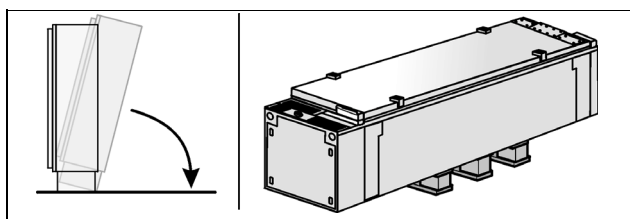
### Cambiando las bisagras

#### ⚠ ADVERTENCIA:

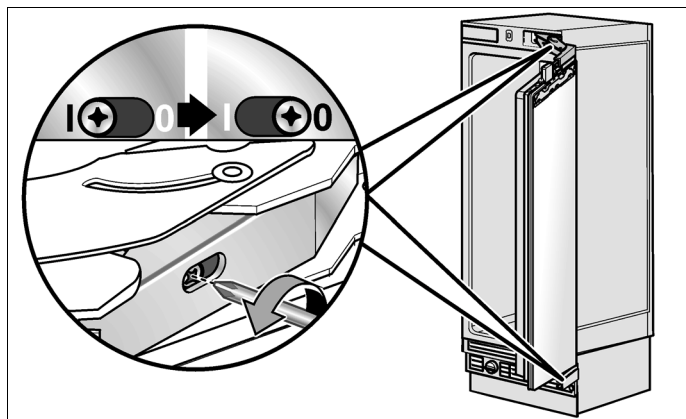
¡Hay peligro de lesiones!  
¡Antes de trabajar en las bisagras, quite los muelles!

#### Nota:

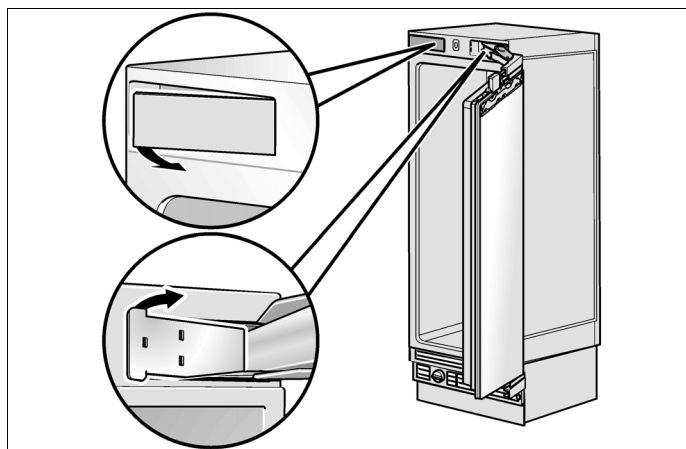
- En los congeladores equipados con dispensador de agua/hielo, no puede modificarse el sentido de apertura de la puerta.
- El cambio de la bisagra de la puerta se hace con mayor facilidad, si el electrodoméstico está acostado sobre su parte posterior (colocar la paleta debajo del mismo).



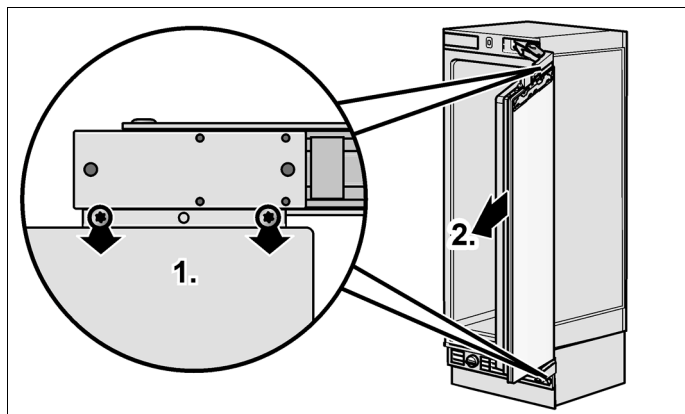
1. Afloje el muelle de la bisagra. Afloje el tornillo I a 0.



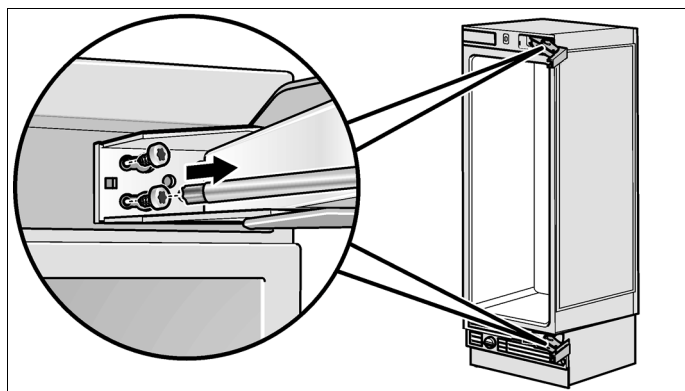
2. Quite la caja de protección de la bisagra.



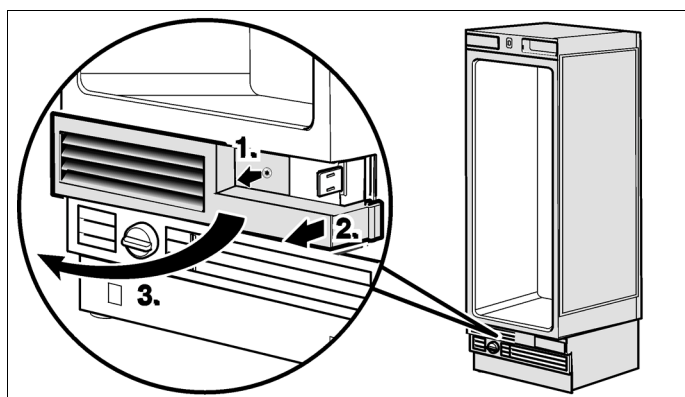
3. Desatornillar (1.) y quitar (2.) la puerta.



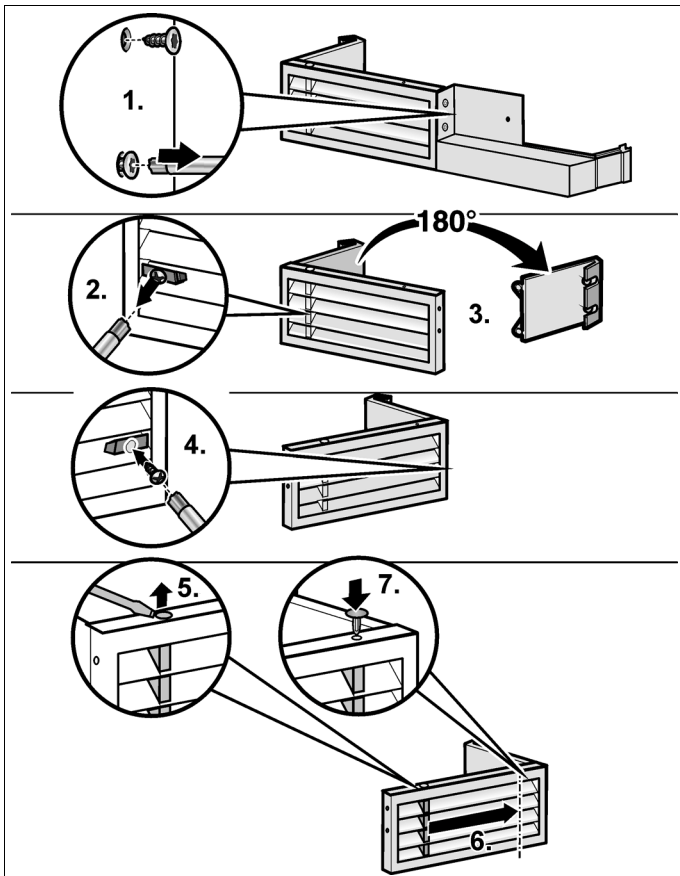
4. Quite las bisagras.



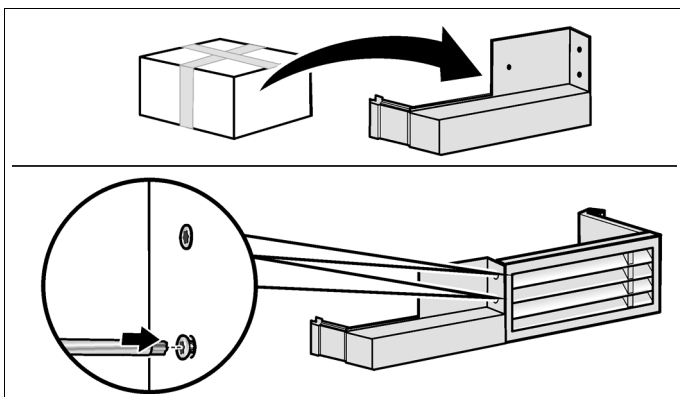
5. Retirar la rejilla de ventilación.



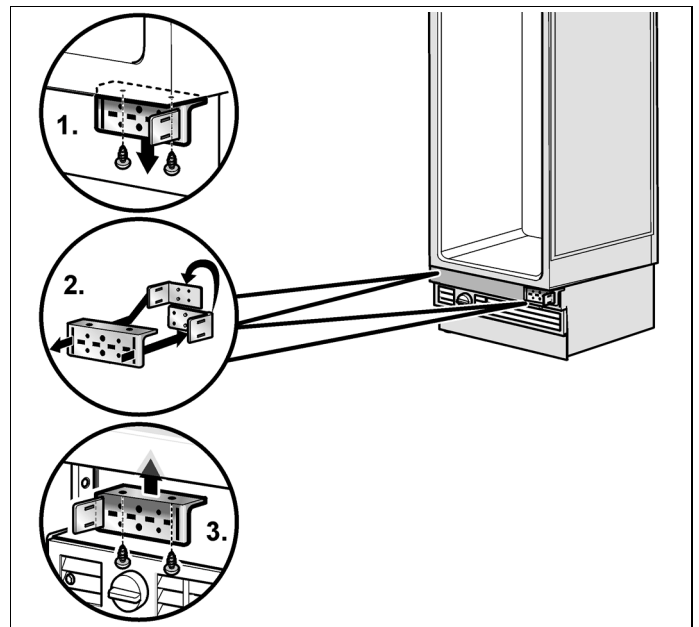
6. Montar la rejilla para el cambio del sentido de apertura de la puerta.



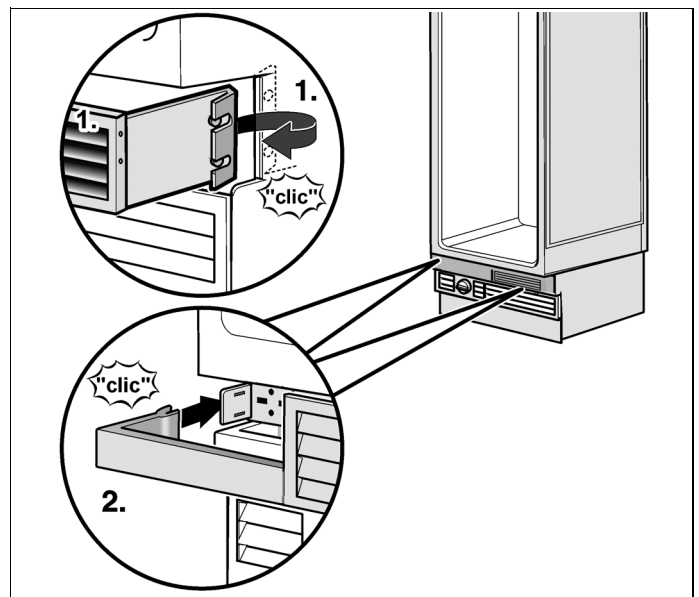
Para adaptar el aparato al cambio del sentido de apertura de la puerta, el volumen de suministro del aparato incluye una pieza de repuesto para la rejilla de ventilación.



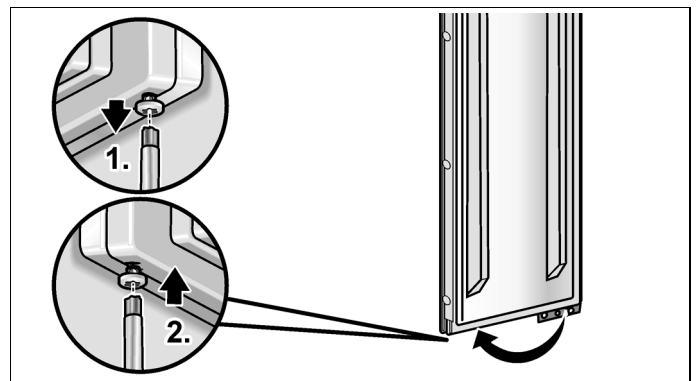
7. Cambie de lado el ángulo de la bisagra.



8. Fijar la rejilla de ventilación.

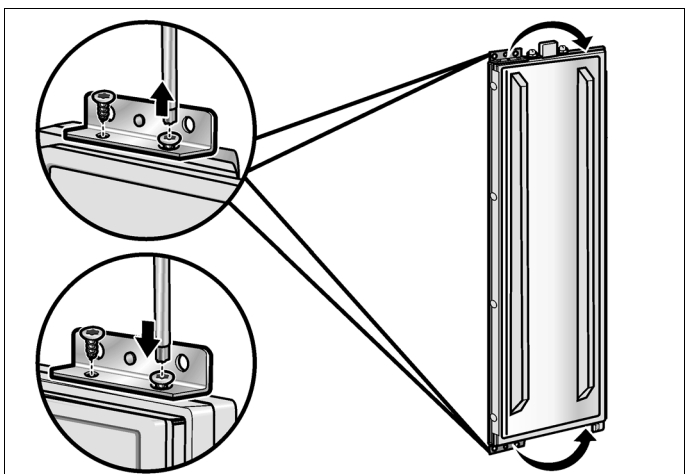


9. Cambiar de sitio el tornillo en el tope superior.

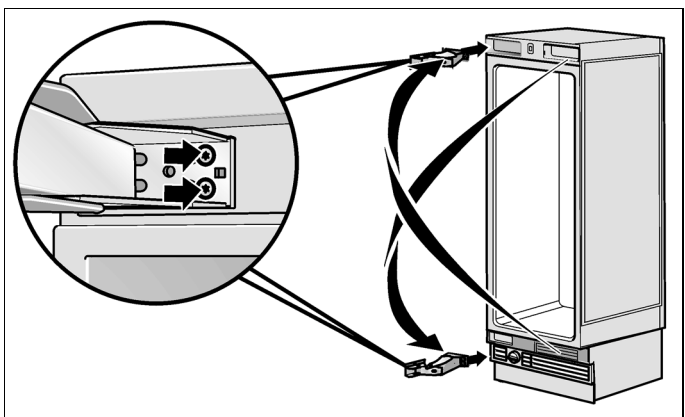




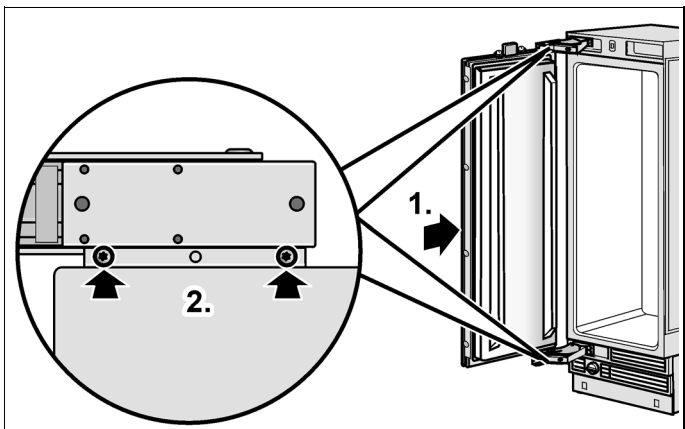
10. Cambie de lado las piezas de sujeción en la puerta.



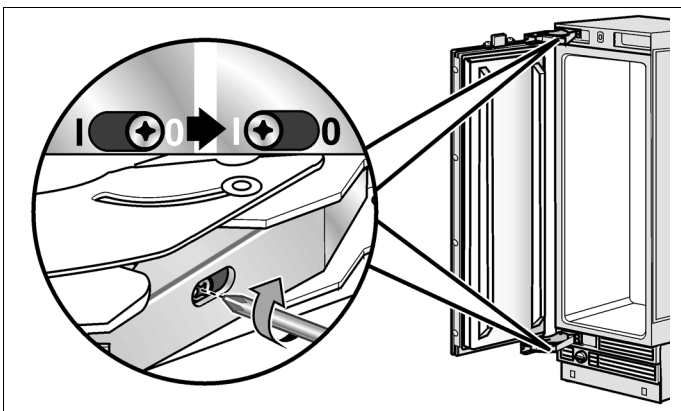
11. Sujete las bisagras en el electrodoméstico.  
¡Cambie las bisagras cruzadas!



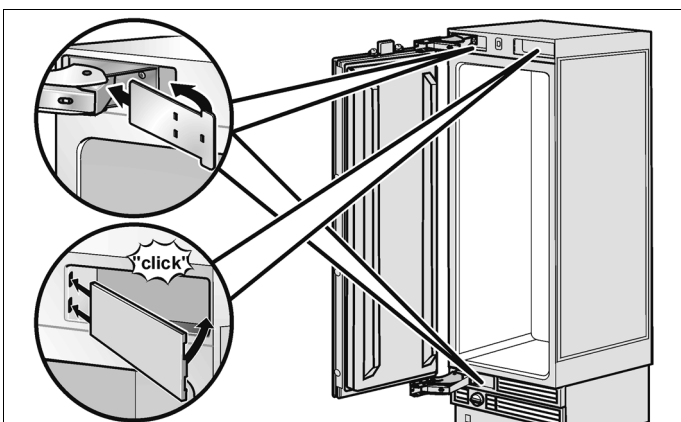
12. Sujete la puerta.



13. Tensione el muelle de la bisagra. Ajuste el tornillo de 0 a 1. Sujete luego la caja de cobertura de la bisagra.



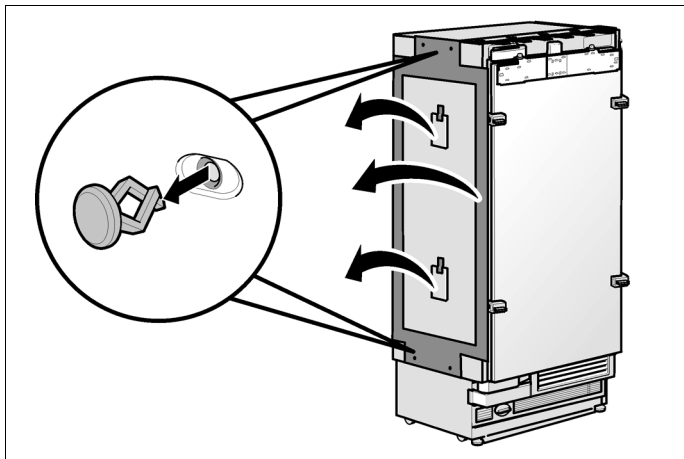
14. Sujete luego la caja de cobertura de la bisagra.



## Quitado / cambio de la esterilla de sellado de sellado

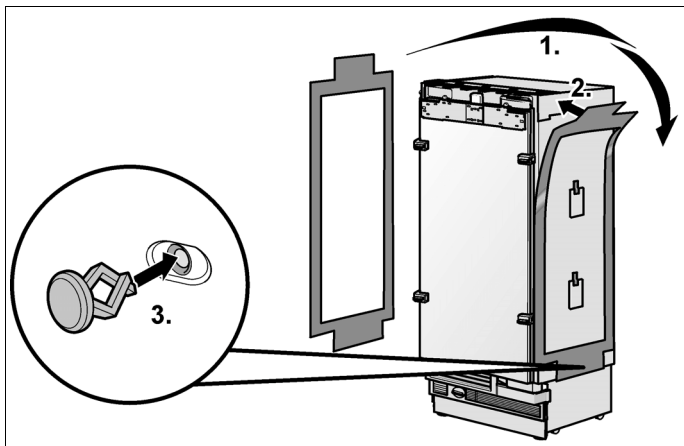
Los congeladores se entregan de fábrica, acompañados por una esterilla de sellado, para su instalación lado a lado.

Si se planea una instalación individual de la unidad, no se necesita la esterilla de sellado, pudiéndosela quitar.



Para una instalación lado a lado, la presencia de la esterilla de sellado es indispensable.

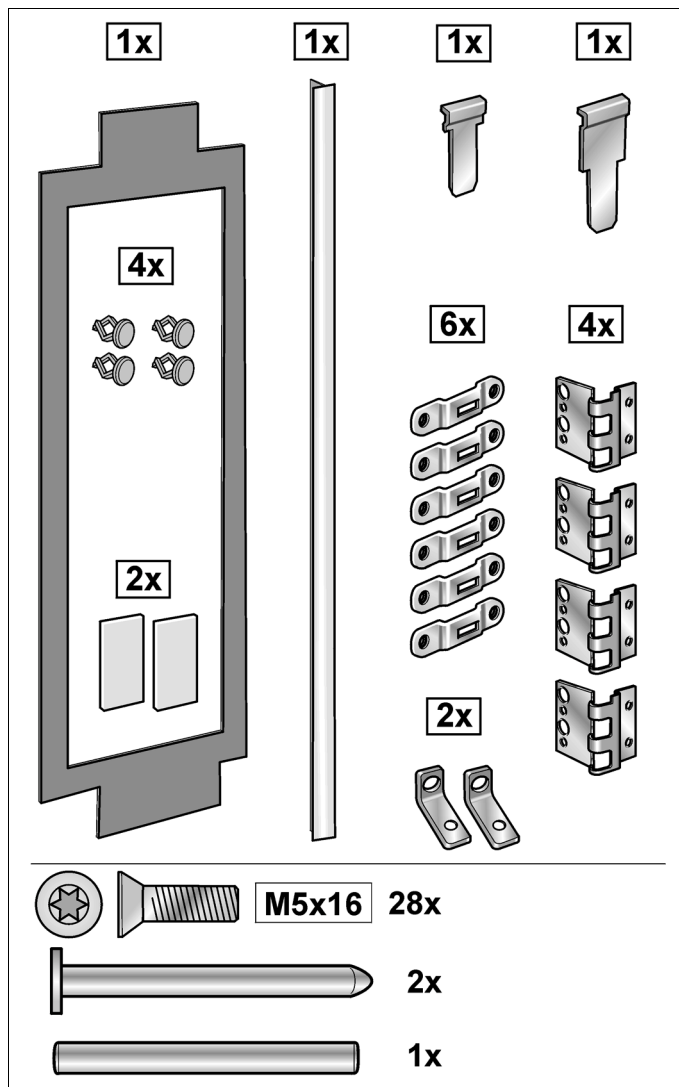
Si se cambia de lado la bisagra de la puerta del congelador, también debe hacerse lo propio con la esterilla de sellado.



## Instalación Side-by-Side (lado a lado)

Si ha previsto un emplazamiento lado a lado, debe ahora unir ambos equipos.

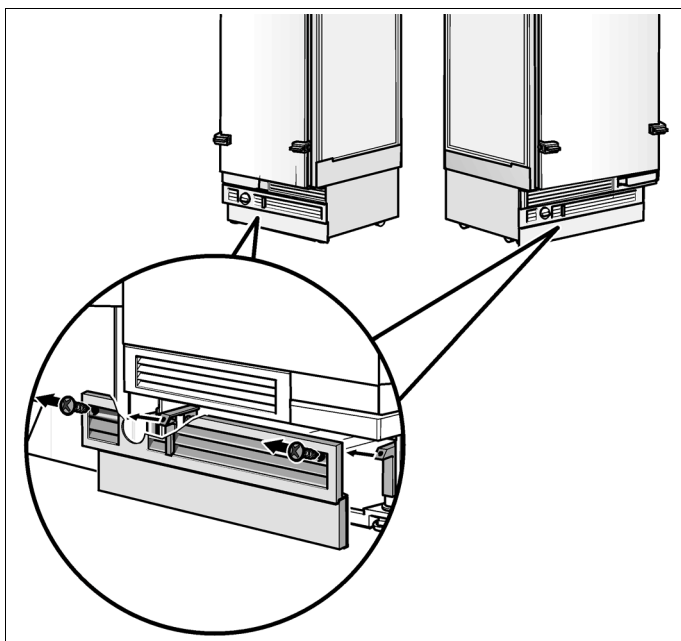
1. Desembalar el juego de partes para la instalación lado a lado y controlar que no falte ninguna pieza.



2. Ubique los electrodomésticos uno junto al otro, en la configuración deseada.

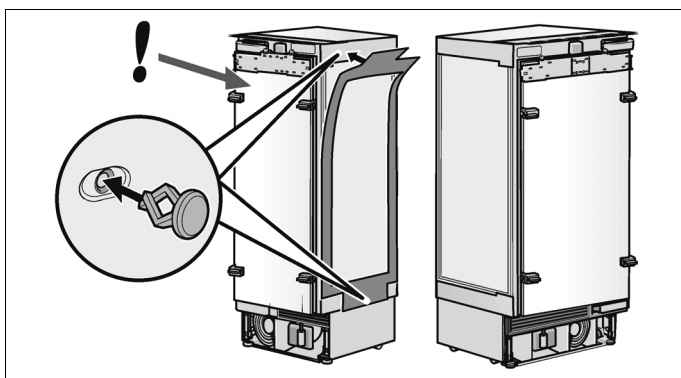


3. Desatornille las placas base.

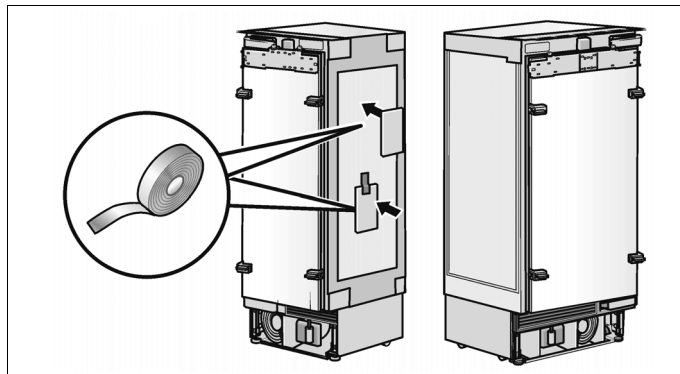


**Nota:**

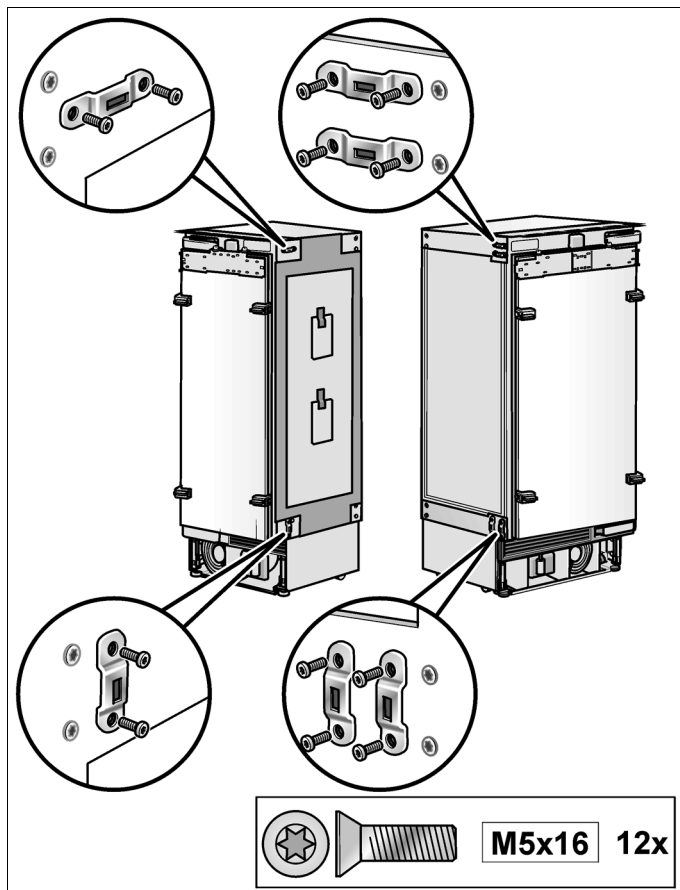
- Los congeladores vienen equipados de fábrica con una esterilla de sellado para su instalación lado a lado.  
Continuar la tarea en el paso 6.
  - ¡Sujetar las esterilla siempre en el electrodoméstico que se encuentra a la izquierda!
4. Pegue cinta selladora que forma parte del juego lado a lado, en los bordes alrededor de las esquinas.  
Sujete la cinta con los pernos.



5. Ubique las placas absorbentes (para el agua) que forman parte del juego lado a lado, sobre las paredes laterales y sujételas con cinta adhesiva.

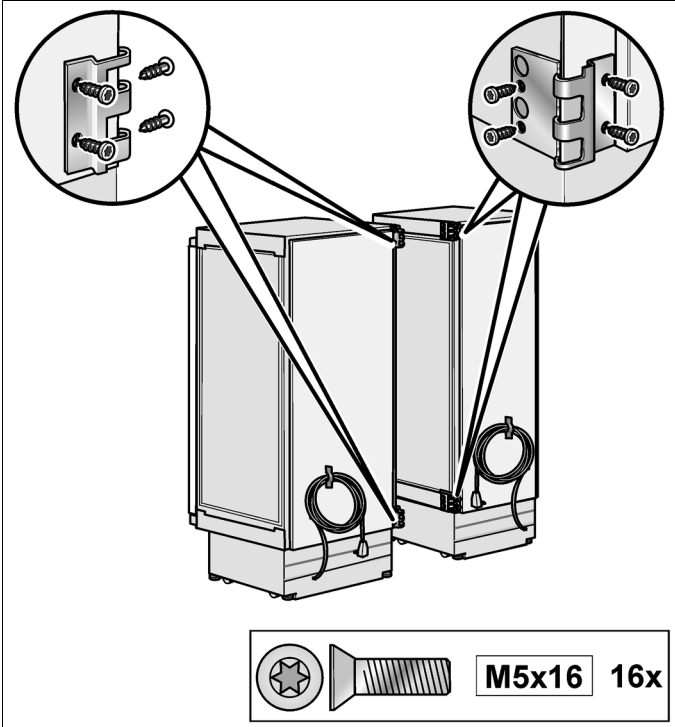


6. Atornille las placas laterales del juego lado a lado en ambos electrodomésticos. ¡Registre la posición de ambos electrodomésticos!

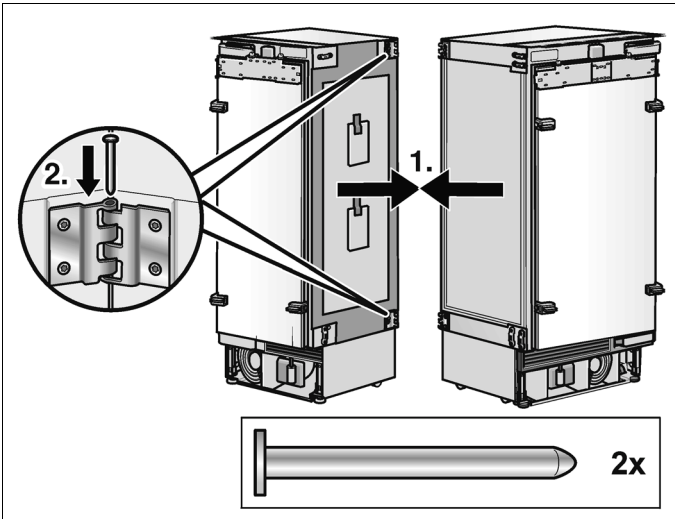




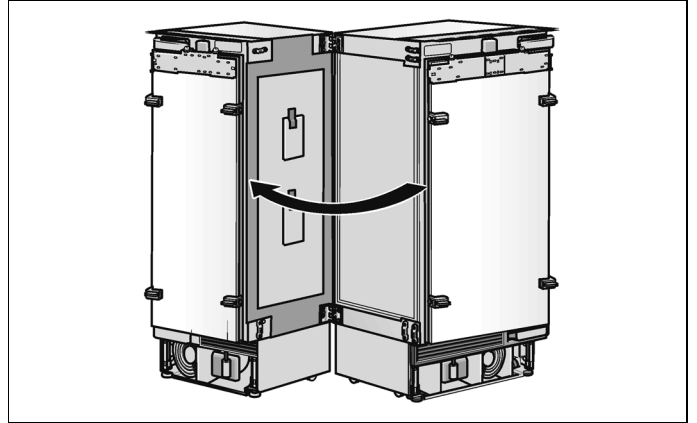
7. Atornille las mitades de las bisagras del juego lado a lado en ambos electrodomésticos.



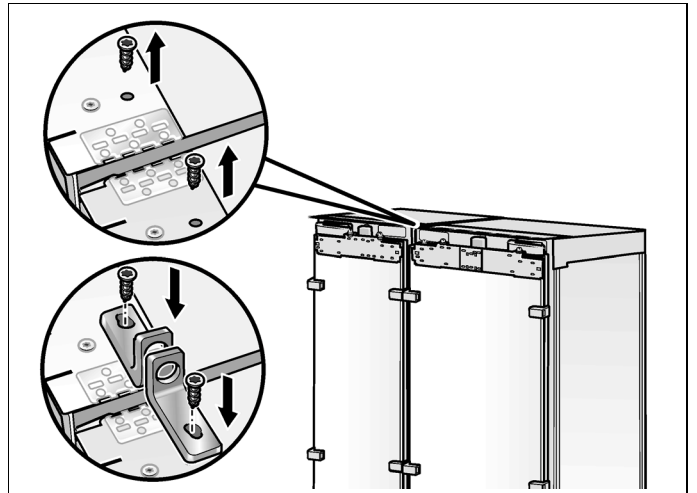
8. Junte los electrodomésticos empujándolos, hasta que las mitades de las bisagras penetren una en otra.
9. Coloque los pernos en las bisagras.



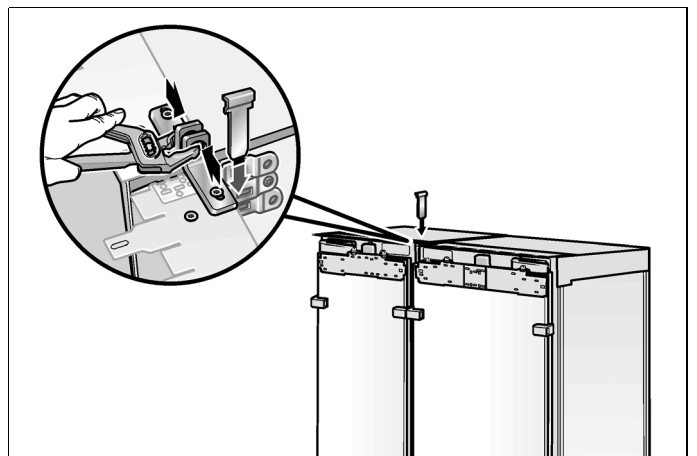
10. Junte la parte anterior de los electrodomésticos, empujándolos hasta donde sea posible.



11. Afloje los tornillos en la parte superior del electrodoméstico y atornille los elementos auxiliares de instalación en el lado superior de ambos electrodomésticos.

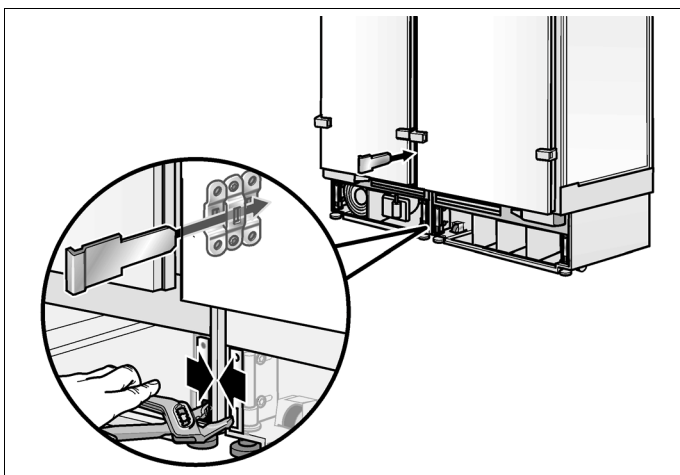


12. Junte la parte superior de los electrodomésticos mediante al pinza corrediza cocodrilo.
13. Una vez completamente juntados los electrodomésticos, inserte la barra en las placas superiores.

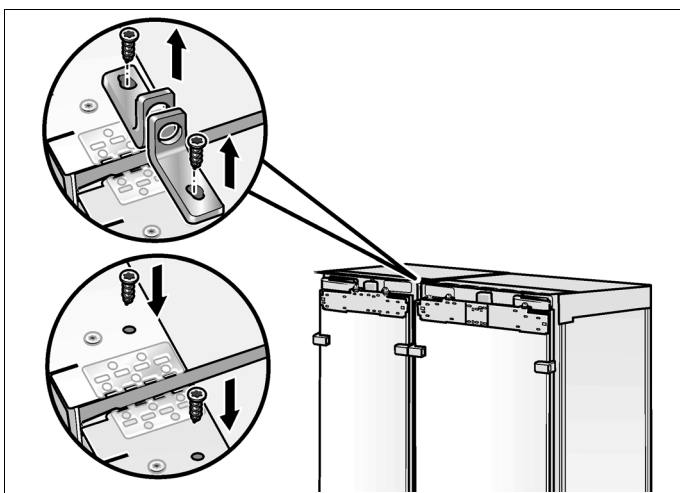




14. Junte la parte inferior de los electrodomésticos mediante una pinza corrediza cocodrilo.
15. Una vez completamente juntas las partes inferiores de los electrodomésticos, inserte la barra en las placas inferiores. Utilice una herramienta para empujar la barra en toda su longitud.

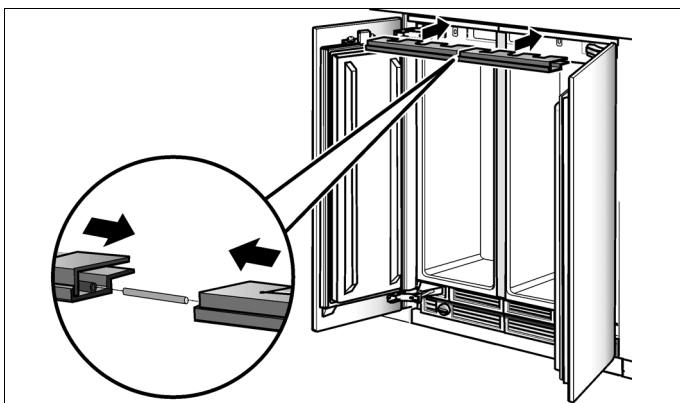


16. Quite los elementos auxiliares de instalación.



Para sujetar el listón de cobertura (b) en la placa de montaje (arriba):

17. Conectar ambos rieles de cobertura en el perno separador que forma parte de los accesorios para este tipo de instalación.



## Preparación para conectar el agua

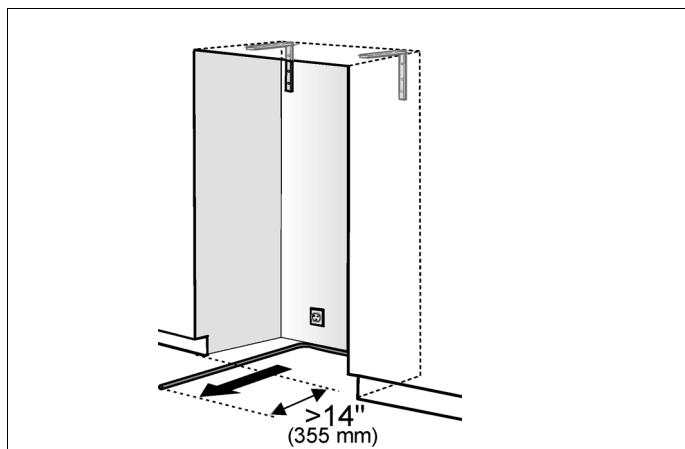
(solamente si el electrodoméstico requiere de una conexión de agua)

### Nota:

Cierre la llave principal de agua, a fin de evitar daños debidos a la pérdida de agua.

1. Monte la tubería de conexión a la válvula de cierre, según las instrucciones suministradas por el fabricante de la instalación generadora de hielo.
2. Instale la tubería de conexión.

Observe siempre las medidas de separación indicadas, a fin de evitar daños en la tubería de conexión, cuando coloca el electrodoméstico en su sitio.

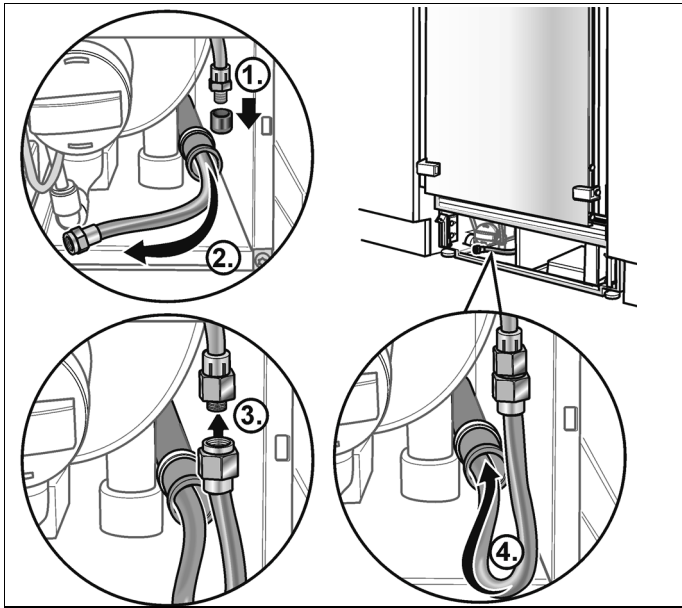


## Conexión del agua al electrodoméstico

### Nota:

Cuando conecte la tubería de agua, no la retuerza. De lo contrario existe **el riesgo que se produzcan pérdidas de agua.**

1. Quite la capa de la conexión del electrodoméstico (1.).
2. Doble la tubería de agua de acuerdo con la ubicación de la conexión del electrodoméstico (2.).
3. Empuje la tuerca de unión, sellando la unión sobre la tubería de agua.
4. Empuje el extremo de la tubería de agua, hasta que penetre en la conexión del electrodoméstico y enrosque la tuerca de unión (3.). Ajuste con la mano.
5. Ajuste la tuerca de unión mediante la llave de boca. ¡No fuerce la rosca!
6. Volver a conectar la línea de conexión de agua en el tubo correspondiente tan rápido como sea posible (4.).



7. Abra la válvula de cierre y la llave general.
8. Controle la válvula de cierre y la conexión en el electrodoméstico, para localizar eventuales pérdidas.
9. Cierre la llave general de agua.

## Orientación del dispensador de hielo y agua

(solamente para unidad de congelación con dispensador de hielo y agua)

### Nota:

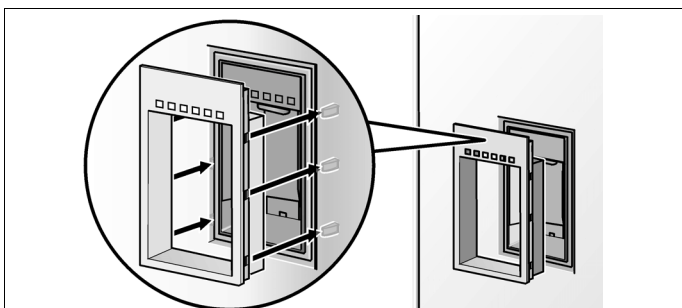
Los aparatos con puerta de acero inoxidable se suministran con un marco cobertor especial.

El dispensador de hielo y agua puede orientarse dentro de la escotadura de la puerta del mueble en cuanto a su profundidad. Con ello se permite una orientación paralela a la puerta del mueble, a fin de lograr una presentación óptica general óptima.

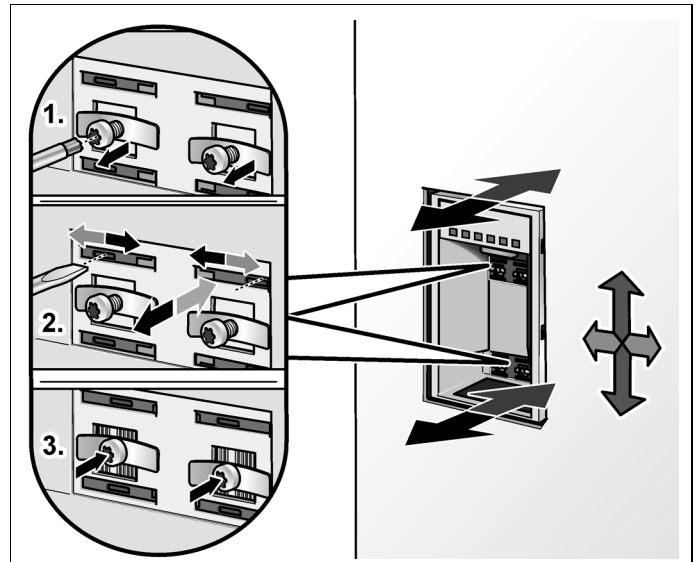
### Nota:

Sugerimos montar el marco antes de sujetar la unidad expendedora.

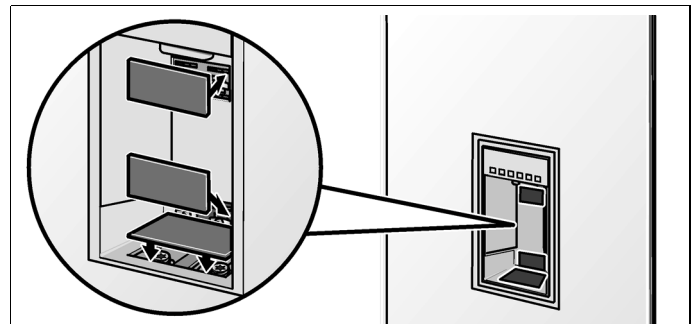
1. Desplazar el marco de cobertura sobre el dispensador de hielo y agua presionándolo hasta que el marco quede nivelado respecto de la superficie de la puerta.



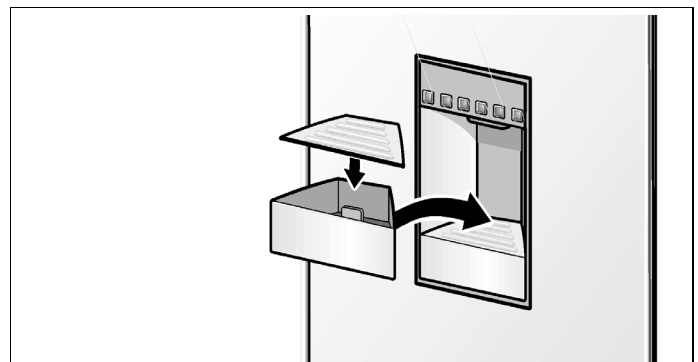
2. Aflojar los tornillos en las 4 prensas (1.).
3. Introducir el destornillador plano en una de las 4 ranuras y desplazar los tacos lateralmente, de modo que el dispensador presente una distancia pareja respecto de la puerta del mueble (2.).
4. Volver a ajustar los tornillos en las prensas (3.).



5. Volver a colocar la cobertura.



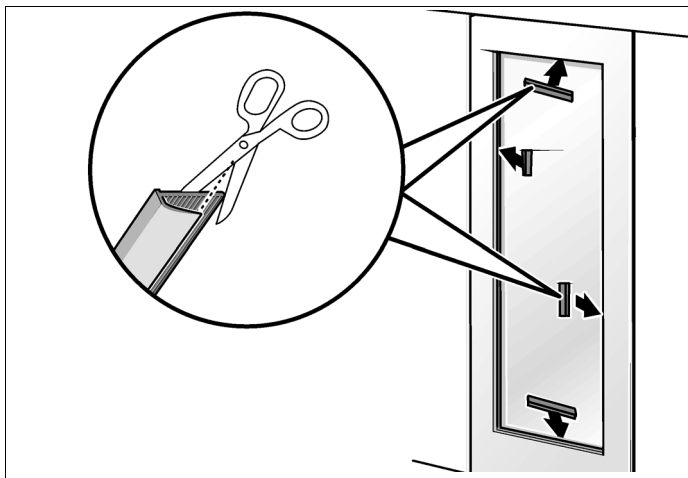
6. Insertar la bandeja colectora de agua.



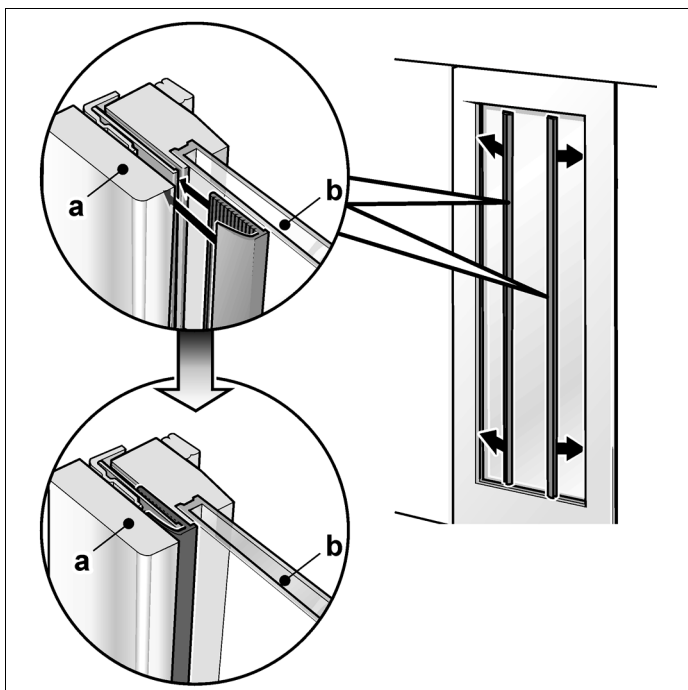
## ? Colocación del listón de cobertura y del depósito

(solamente para los conservadores de vinos)

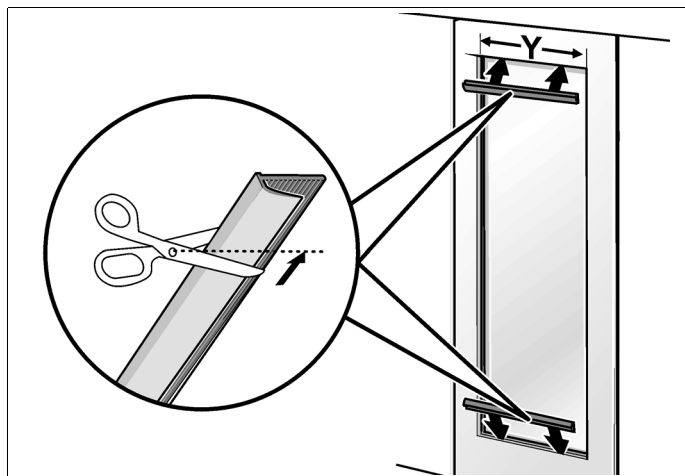
1. En caso de una anchura reducida del marco, puede ser necesario cortar los lados del listón de cobertura. A fin de determinar la longitud de los lados, se han adicionados piezas de prueba al listón de cobertura.



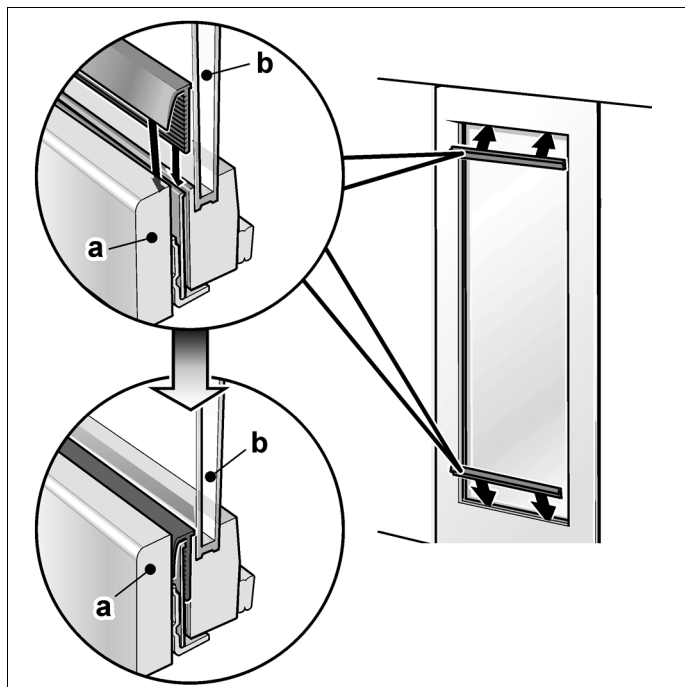
2. Desplazar los listones de cobertura en los laterales dentro del espacio comprendido entre la puerta del mueble (a) y el vidrio (b).



3. Cortar a la longitud necesaria, el listón de cobertura en los lados cortos.



4. Desplazar el listón de cobertura dentro del espacio comprendido entre la puerta del mueble (a) y el vidrio (b).

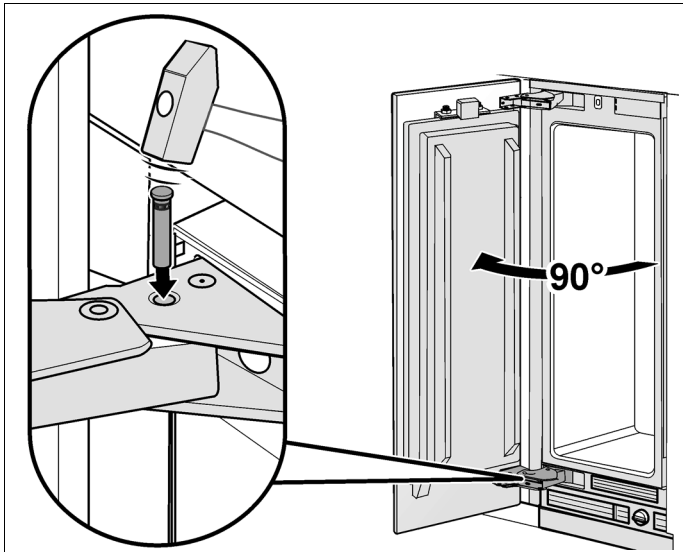


## Ajuste del ángulo de apertura de la puerta

Dependiendo de las condiciones de instalación, puede ser necesario ajustar el ángulo de apertura de la puerta. En fábrica se ha ajustado un ángulo de apertura de 115°.

A fin de ajustar el ángulo de apertura a 90°:

1. Abrir la puerta a 90°.
2. Introducir el perno limitador a través de las dos perforaciones ahora enfrentadas, golpeando con un martillo.



©Thermador is a Registered Trademark of BSH Home Appliances Corporation

©Thermador es una marca registrada de BSH Home Appliances Corporation

©Thermador est une marque de commerce déposée de BSH Home Appliances Corporation.

Thermador® reserves the right to make changes in models, features, and specifications without prior notice.

All rights reserved.

Todos los derechos reservados.

Tous droits réservés.

Thermador® se reserva el derecho de hacer cambios en los modelos, características y especificaciones sin previo aviso.

Thermador® se réserve le droit d'apporter des changements aux modèles, aux caractéristiques et aux spécifications sans préavis.

9000649275 (9106)  
en-us, fr-ca, es-mex