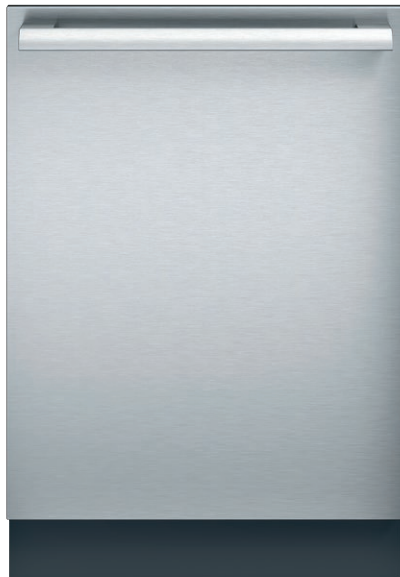


# DWHD440MFM

## EMERALD® 4-PROGRAM DISHWASHER

MASTERPIECE® SERIES HANDLE



Also Available In:

- DWHD440MFP - Flat Stainless Steel Panel with Professional Series Handle
- DWHD440MPR - Custom Panel

### FEATURES & BENEFITS

- Sens-A-Wash® measures water cleanliness and adjusts wash cycle
- Three stage advanced filtration recirculates water for sparkling results
- Accommodates 15 plate settings for your dinner parties
- Extra Dry Option ensures perfectly dry dishes and sanitizes 99.9% of bacteria
- Impressively Quiet®—48 dBA for peaceful kitchen experience

### ACCESSORIES (OPTIONAL)

Dishwasher Supply and Drainage Hose Extension 76 3/4"	SGZ1010UC
Dishwasher Accessory Kit	SMZ5000
Fine Silverware Carafe	SMZ5002UC



Accessory Kit includes Extra-Tall-Item Sprinkler, Vase / Bottle Holder, 3 Plastic Item Clips and Small Item Basket



Fine Silverware Carafe

### GENERAL PROPERTIES

Number Of Wash Cycles	4
Number Of Options	4
dBA	48
Third Rack	N/A
Rack Adjustability	Rackmatic 3-Stage
Tub Material	Stainless Steel
Control Type	Buttons
Concealed Heating Element	Yes
Leak Protection System	24/7 AquaStop® Plus
Water Softener	No
Five-Level Wash	Yes
Childlock	No

### EFFICIENCY

Water Usage Per Cycle (g)	2.9 g
Energy Efficiency Class	Tier 1
ENERGY STAR® Qualified	Yes
Total Annual Energy Consumption (kWh)	269 kWh
Total Annual Water Consumption (g)	624 g

### CAPACITY

Number Of Place Settings	15
--------------------------	----

### TECHNICAL DETAILS

Watts (W)	1,440 W
Current (A)	12 A
Volts (V)	120 V
Frequency (Hz)	60 Hz
Power Cord Length (in)	43 1/2"
Minimum Water Pressure (lb/sin)	14
Max. Temperature for Water Intake	140° F
Length Outlet Hose (in)	67"

### DIMENSIONS & WEIGHT

Overall Appliance Dimensions (HxWxD) (in)	33 7/8" x 23 9/16" x 23 3/4"
Required Cutout Size (H*xWxD) (in)	33 7/8" x 23 5/8" x 24"
Adjustable Feet	Yes
Net Weight (lbs)	85 lbs

### WARRANTY

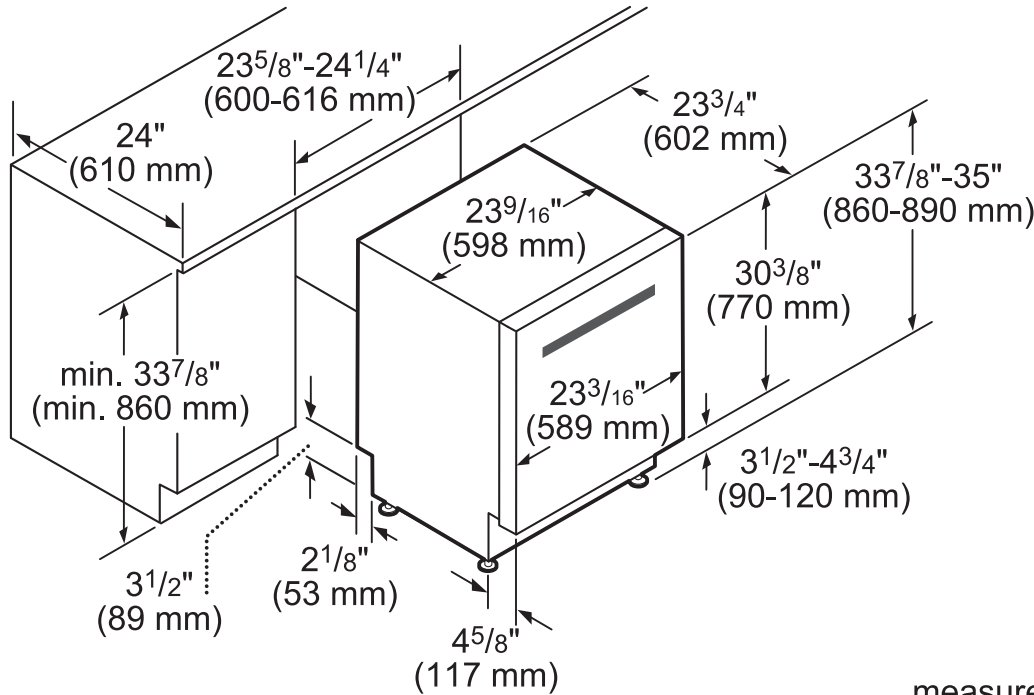
Limited Warranty, Entire Appliance, Parts and Labor	2 Year
Limited Warranty for Microprocessor or Printed Circuit Board; Parts Only	3rd to 5th Year
Limited Warranty for Racks (Does Not Include Rack Components); Parts Only	3rd to 5th Year
Limited Warranty for Rust-through On Inner Tub Liner; Parts Only	Lifetime

\*minimum height requirement

**DWHD440MFM**  
**EMERALD® 4-PROGRAM DISHWASHER**  
**MASTERPIECE® SERIES HANDLE**



**DISHWASHER & CUTOUT DIMENSIONS**



measurements in inches and mm

These warranties give you specific legal rights and you may have other rights that vary from state to state. Full warranty and limited warranty from date of installation. For complete warranty details, refer to your Use & Care manual, or ask your dealer.

Specifications are for planning purposes only. Refer to installation instructions and consult your countertop supplier prior to making counter opening. Consult with a heating and ventilation engineer for your specific ventilation requirements. For the most detailed information, refer to installation instructions accompanying product or write to Thermador indicating the model number. Specifications are correct at time of printing. Thermador reserves the right to change product specifications or design without notice. Some models are certified for use in Canada. Thermador is not responsible for products that are transported from the U.S. for use in Canada.