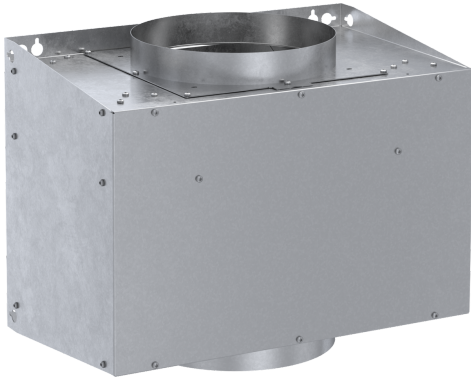


**Blower
VTI2FZ**



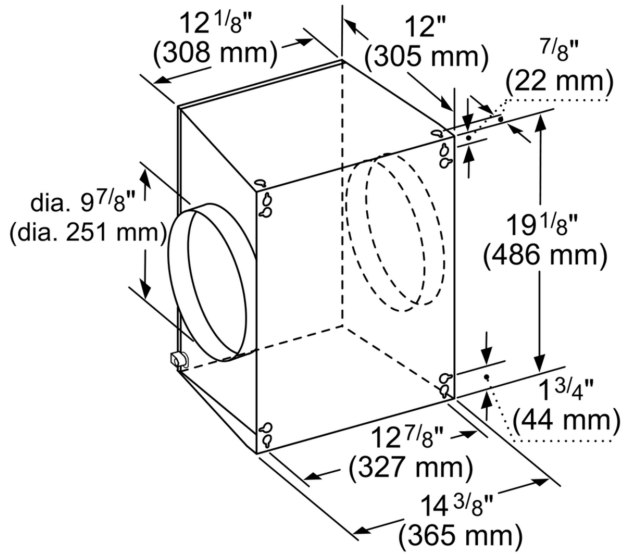
**1000 CFM inline blower can be mounted
along the duct line anywhere between the
kitchen and the exterior wall**

- EXTNCB25W 25-ft blower connector cable available, sold separately
- Mounted along the duct line between the kitchen and the exterior wall



EXTNCB25W 25 ft. Remote & Inline Blower Extension

**Blower
VTI2FZ**



measurements in inches (mm)