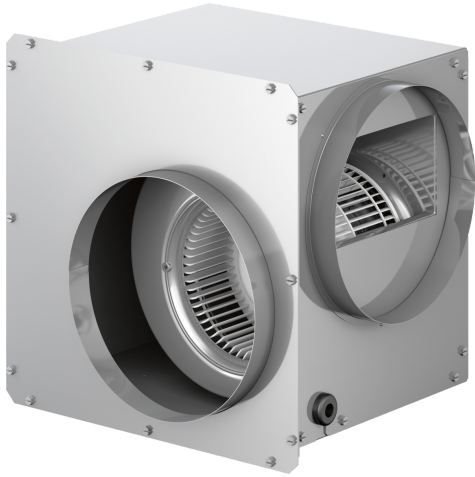


**Blower  
VTD600P**



**600 CFM flexible blower can be installed as an integrated or inline blower for Masterpiece® Series downdraft ventilation for exhaust flexibility to suit your personal kitchen design**

---

---



**Blower  
VTD600P**

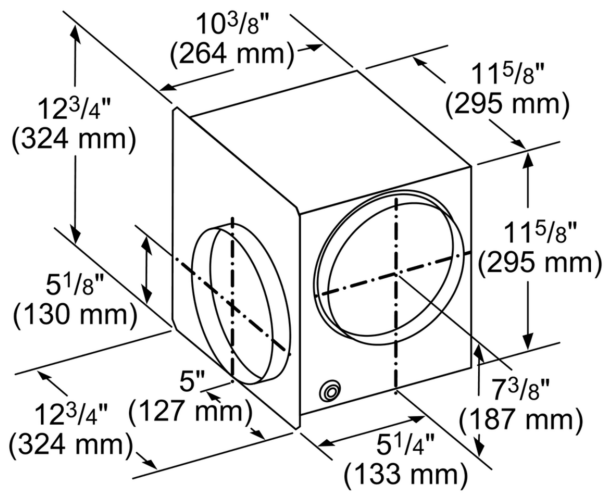
**600 CFM flexible blower can be installed as an integrated or inline blower for Masterpiece® Series downdraft ventilation for exhaust flexibility to suit your personal kitchen design**

---

**Performance**

- Designed for use with UCVM30RS, UCVM36RS and UCVP36RS downdrafts
- Capable up to 600 CFM in performance
- Some blower positions may need deeper cabinets. See installation guide
- Recirculation kit available, use with induction/electric cooktops only
- Additional accessories may be required for installation, see manual

**Blower  
VTD600P**



measurements in inches (mm)