

# VCIB48JP

## 48-INCH CUSTOM INSERT WITH BLOWER

PROFESSIONAL SERIES



### FEATURES & BENEFITS

- A unique all in one box solution that includes the hood, a 1,000 CFM blower, liner, baffle filters, lights, transition and a back-draft damper
- Suitable for wall or island applications
- Three fan speeds with a delayed shut-off that tackles lingering odors for up to 10 minutes
- Auto function senses heat from the cooking surface and adjusts fan speeds
- Built-in 'clean filter' reminder light illuminates after 40 hours of operation
- Dimmer lighting – for a soft lighting effect
- Filter systems are highly efficient at capturing grease

### ACCESSORIES (OPTIONAL)

Custom Hood Installation Trim <b>NOTE:</b> VCIB Custom Insert models include a hood liner accessory. VCIB Custom Insert model installations that do not use the included liner must purchase the trims accessory to complete custom insert installation. See dimensional line drawings for more information.	TRIMS248
Remote Control Panel	VCI2REMKS
8" Wall Cap	WC8
10" Wall Cap	WC10
Roof Jack and Transition	RJ310



Remote Control Panel

### GENERAL PROPERTIES

Operating Mode	Ducted
Number of Speed Settings	3-Stage
Motor Location	Integrated Motor In Hood Body
Number of Lights	4
Bulb Type	40 W - G9 Base
Total Power of the Lamps (W)	40 W
Damper Included	Yes
Grease Filter Material	Washable Stainless Steel
Grease Filter Type	Stainless-Steel Commercial Style Baffle Filter

### TECHNICAL DETAILS

Watts (W)	1,020 W
Current (A)	15 A
Volts (V)	120 V
Frequency (Hz)	60 Hz
Plug Type	Fixed Connection
Power Cord / Conduit Length (in)	Direct Wire at Junction Box

### DIMENSIONS & WEIGHT

Overall Appliance Dimensions (Width of Canopy Included) (HxWxD) (in)	14 5/16" x 52 1/2" x 24 3/4"
Required Distance Above Cooktop/Range Cooking Surface	30" Electric / 30" Gas
Diameter of Air Duct (in.) Top	10"
Net Weight (lbs)	99 lbs

### BLOWER OPTIONS

Remote Blowers (Mounted to Roof or External Wall)	N/A
	N/A
	N/A
Inline Blowers (Mounted Between Kitchen and External Wall)	N/A
	N/A
Integrated Blower (Mounted in Hood)	N/A

### WARRANTY

Limited Warranty Parts and Labor	2 Year
----------------------------------	--------

# VCIB48JP

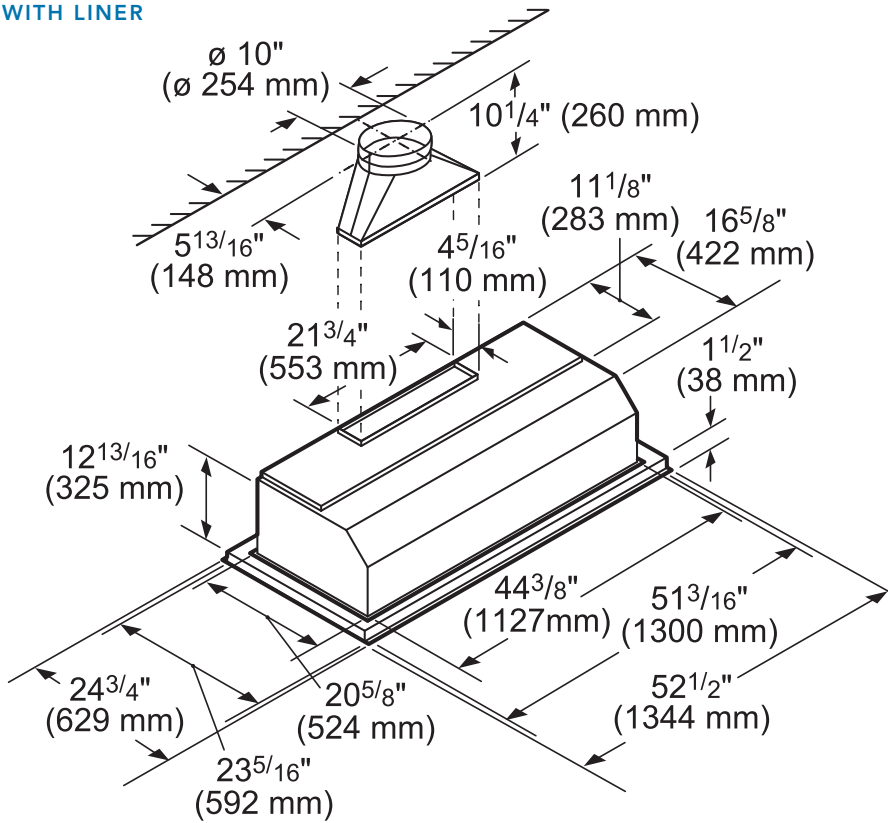
## 48-INCH CUSTOM INSERT WITH BLOWER

PROFESSIONAL SERIES



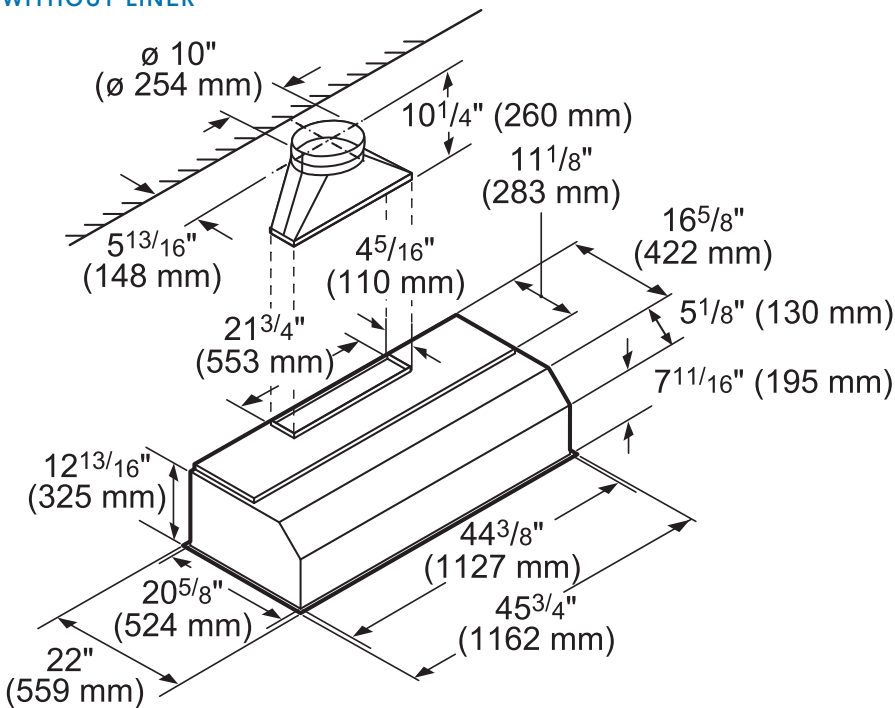
### HOOD DIMENSIONS

#### WITH LINER



**NOTE:** VCIB Custom Insert models include a hood liner accessory. VCIB Custom Insert model installations that do not use the included liner must purchase the trims accessory to complete custom insert installation. See dimensional line drawing "WITHOUT LINER" for more information.

#### WITHOUT LINER



# VCIB48JP

## 48-INCH CUSTOM INSERT WITH BLOWER

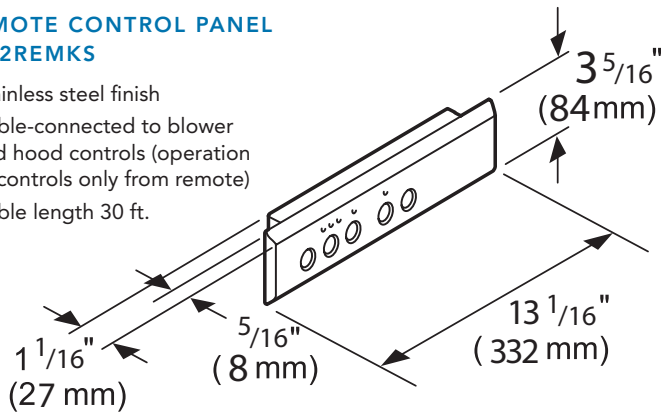
PROFESSIONAL SERIES



### OPTIONAL ACCESSORIES

#### REMOTE CONTROL PANEL VC12REMKS

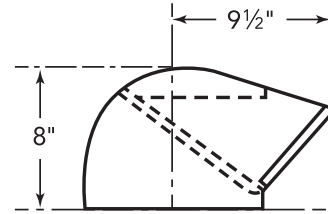
- Stainless steel finish
- Cable-connected to blower and hood controls (operation of controls only from remote)
- Cable length 30 ft.



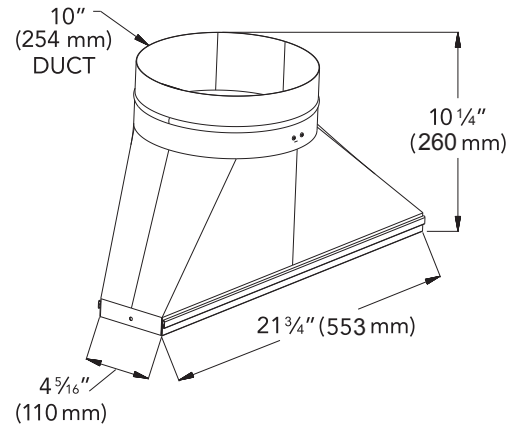
measurements in inches and mm

### ROOF JACK & TRANSITION

#### ROOF JACK-RJ310

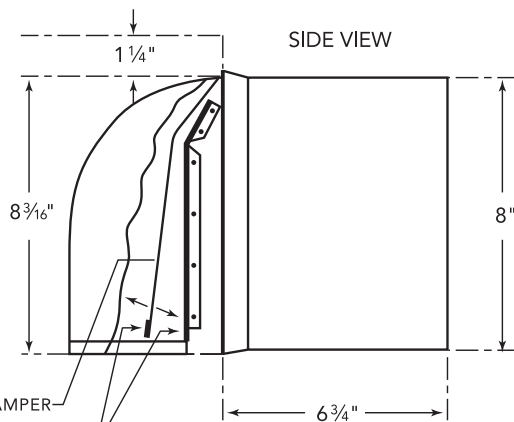


#### TRANSITION



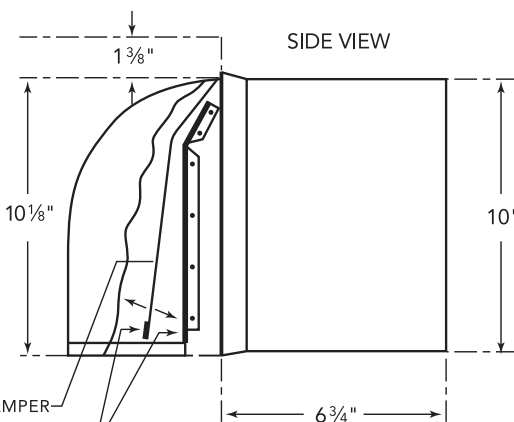
### WALL CAPS

#### 8-INCH WALL CAP-WC8



- 1/16" THICK ALUMINUM DAMPER
- 1/8" x 1/2" FOAM GASKET

#### 10-INCH WALL CAP-WC10



- 1/16" THICK ALUMINUM DAMPER
- 1/8" x 1/2" FOAM GASKET

#### CUSTOM HOOD INSTALLATION TRIM TRIMS248

- Compatible with VCIB\_JP
- Stainless steel custom insert hood trims prevent heat and moisture build up inside the canopy
- Completes custom insert installation without using a liner
- Wipes clean easily

These warranties give you specific legal rights and you may have other rights that vary from state to state. Full warranty and limited warranty from date of installation. For complete warranty details, refer to your Use & Care manual, or ask your dealer.

Specifications are for planning purposes only. Refer to installation instructions and consult your countertop supplier prior to making counter opening. Consult with a heating and ventilation engineer for your specific ventilation requirements. For the most detailed information, refer to installation instructions accompanying product or write to Thermador indicating the model number. Specifications are correct at time of printing. Thermador reserves the right to change product specifications or design without notice. Some models are certified for use in Canada. Thermador is not responsible for products that are transported from the U.S. for use in Canada.