

# UCVP36RS

## 36-INCH DELUXE DOWNDRAFT VENTILATION

MASTERPIECE® SERIES



### FEATURES & BENEFITS

- 18" telescopic design rises to capture heat, smoke, grease, and steam
- Beautiful illumination with white multiple level LED lighting
- Flexible discharge design gives 5 configurations to maximize space
- Remote or inline blowers to reduce noise, integral for top performance
- Features automatic mode, delay shut-off, and check filter light

### BLOWERS AND TRANSITIONS

#### Remote Blowers

VTR630W – 600 CFM

VTR1030W – 1000 CFM

VTR1330W – 1300 CFM

#### Inline Blowers

VTI610W – 600 CFM

VTI1010W – 1000 CFM

#### Flexible Blower

VTD600P – 600 CFM

#### Remote and Inline Blower Downdraft Transitions

CVTSIDE6 – 6" Side / Rear Transition

CVTSIDE8 – 8" Side / Rear Transition

CVTSIDE10 – 10" Side / Rear Transition

CVTFRONT6 – 6" Round Front Plate

CVTFRONT8 – 8" Round Front Plate

CVTFRONT10 – 10" Round Front Plate

CVDUCT2 – 2' Rectangular Duct

CVTRECT2 – Transition for Rectangular Duct

### GENERAL PROPERTIES

Operating Mode	Convertible: Ducted / Recirculating
Maximum CFM	Blower Sold Separately
Number of Speed Settings	3-Stage
Sones*	1.2 LS / 10.5 HS
Motor Location	External
Number of Lights	2
Bulb Type	White LED
Damper Included	No
Grease Filter Material	Washable Synthetic
Grease Filter Type	Multilayer Cassette

### TECHNICAL DETAILS

Current (A)	10 A
Volts (V)	120 V
Frequency (Hz)	60 Hz
Plug Type	120V-3 prong
Power Cord Length (in)	30"

### DIMENSIONS & WEIGHT

Overall Appliance Dimensions (Width of Canopy Included) (HxWxD) (in)	47 3/8" x 37" x 2 3/4"
Height of the Rise (in.)	18"
Diameter of Air Duct (in.) Internal	8"
Diameter of Air Duct (in.) External	6", 8" or 10"
Net Weight (lbs)	47 lbs

### ACCESSORIES (REQUIRED)

Blower (Sold Separately)

### WARRANTY

Limited Warranty Parts and Labor	2 Year
----------------------------------	--------

### ACCESSORIES (OPTIONAL)

Recirculation Kit – Use with induction/electric cooktops only

UCVRECIRC

Replacement Charcoal Filters

UCVFILTER

Downdraft Gas Cooktop Seal Trim Kit (Required for Installation with Gas Cooktops)

UCV36ST

5 ft. Electrical Panel Extension Cable

EXTNCE5

Roofplates

RFPLT600P – For Use with Remote Blower VTR630W

RFPLT1000P – For Use with 1000 CFM Remote Blower VTR1030W and 1300 CFM Blower VTR1330W

25 ft. Blower Connector Cable

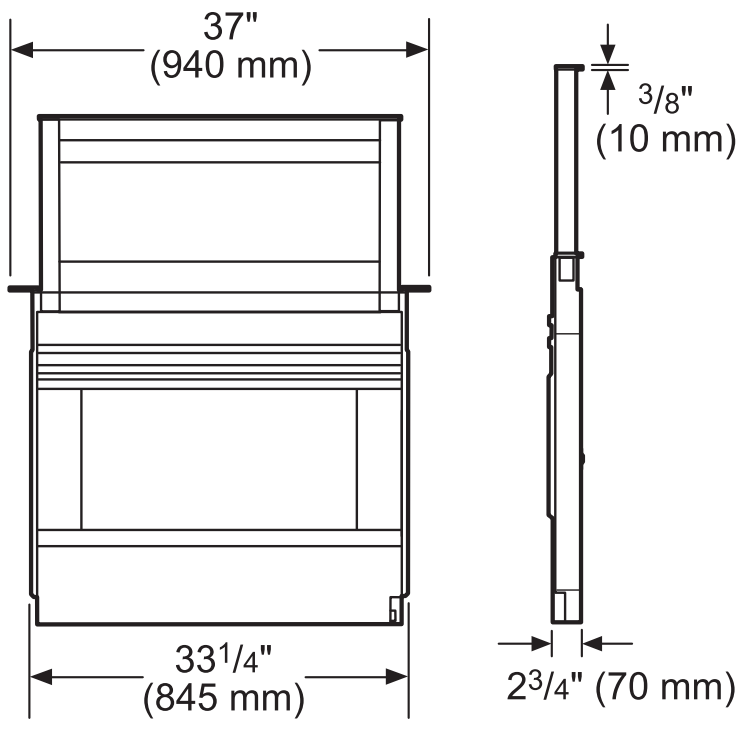
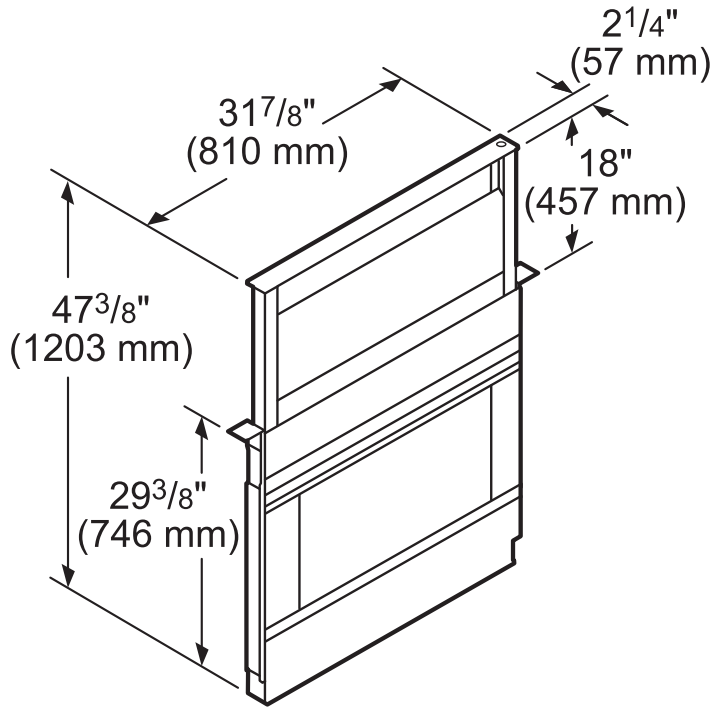
For use with the following inline, remote and flexible blowers: VTR630W, VTR1030W, VTR1330W, VTI610W, VTI1010W, VTD600P

\*Sound test performed as per HVI standards at independent lab.

**UCVP36RS**  
**36-INCH DELUXE DOWNDRAFT VENTILATION**  
MASTERPIECE® SERIES



HOOD DIMENSIONS

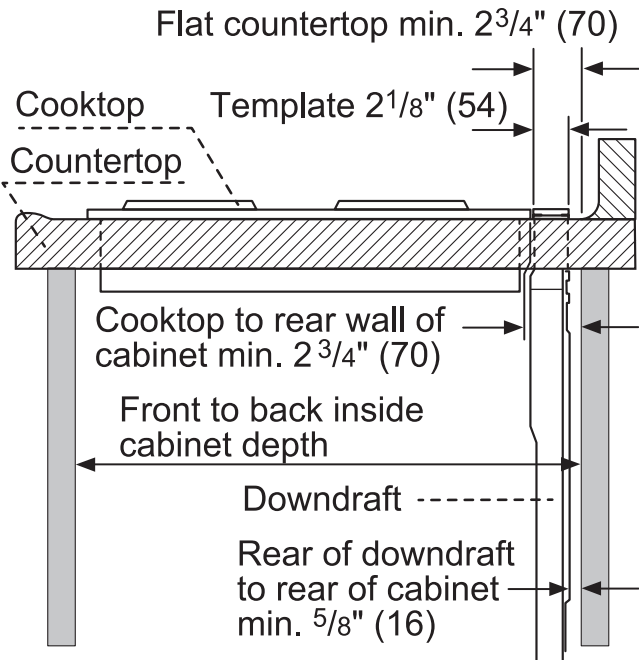


measurements in inches (mm)

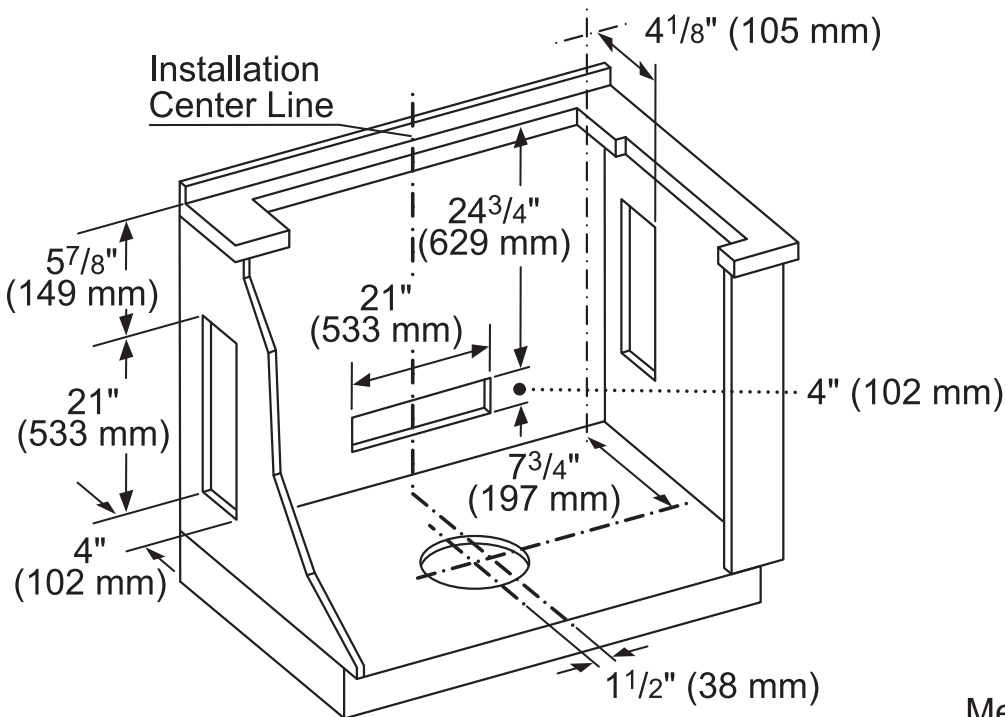
**UCVP36RS**  
**36-INCH DELUXE DOWNDRAFT VENTILATION**  
 MASTERPIECE® SERIES



**CUTOUT AND CLEARANCE DIMENSIONS**



measurements in inches and (mm)

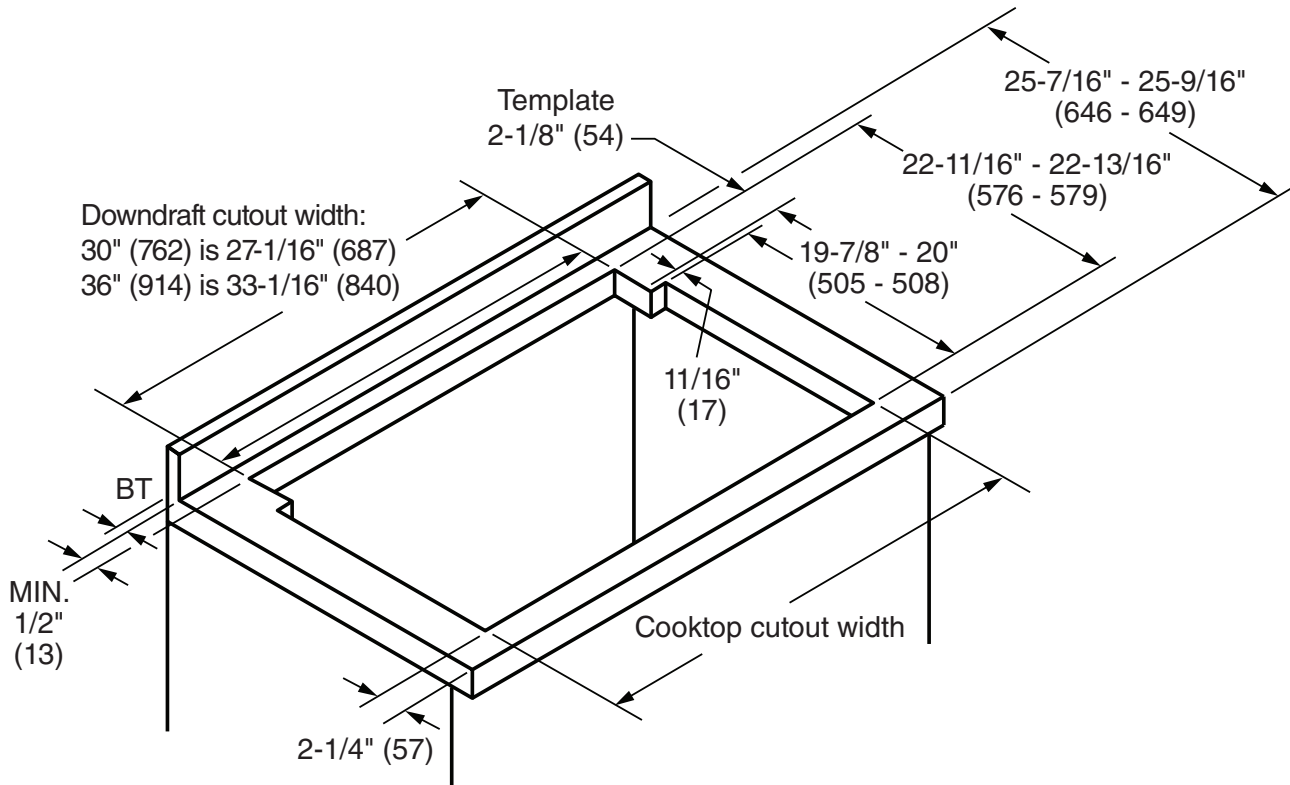


Measurements in inches (mm)

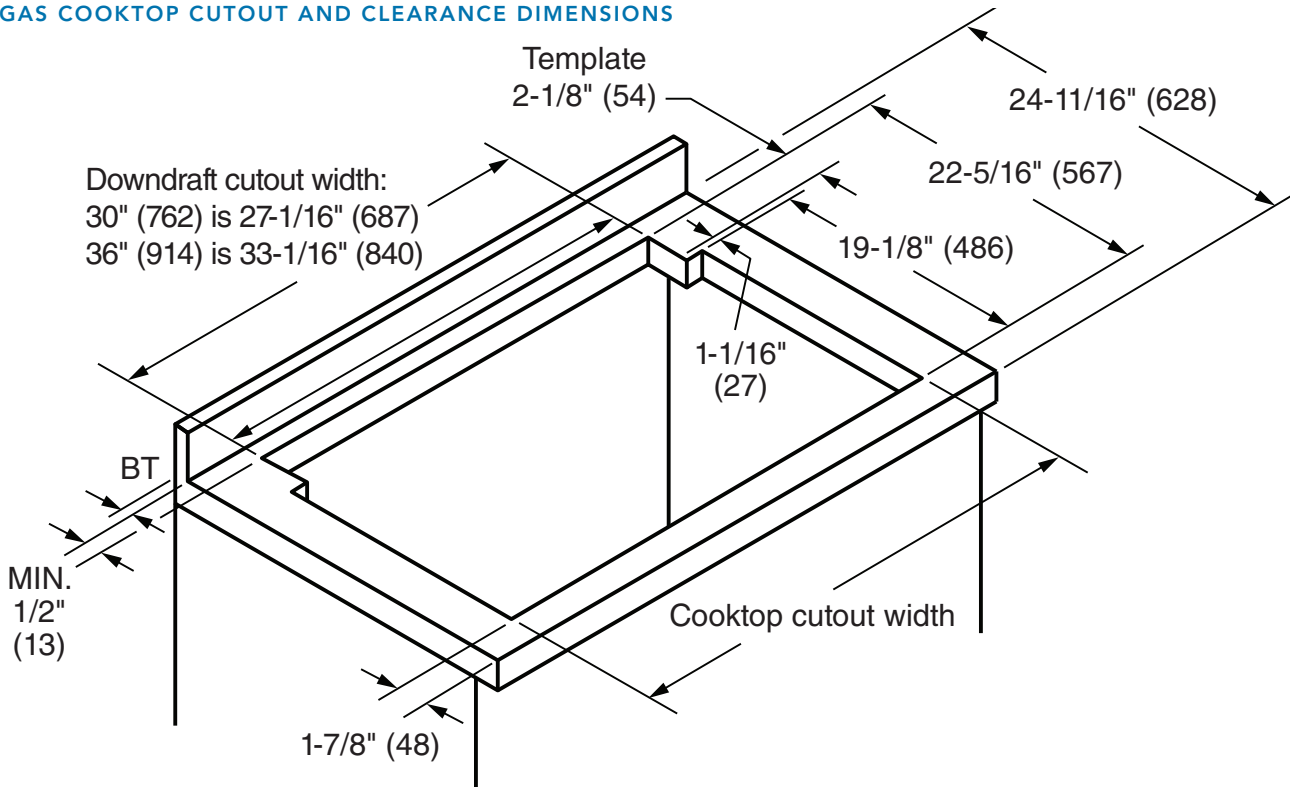
**UCVP36RS**  
**36-INCH DELUXE DOWNDRAFT VENTILATION**  
 MASTERPIECE® SERIES



**ELECTRIC OR INDUCTION COOKTOP CUTOUT AND CLEARANCE DIMENSIONS**



**GAS COOKTOP CUTOUT AND CLEARANCE DIMENSIONS**



# UCVP36RS

## 36-INCH DELUXE DOWNDRAFT VENTILATION

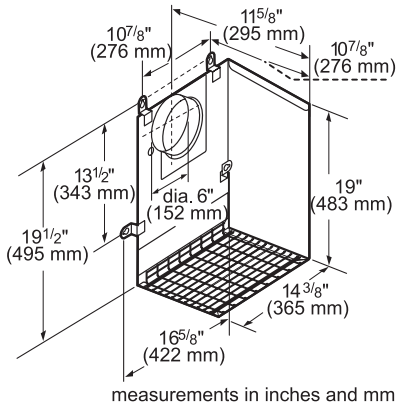
MASTERPIECE® SERIES



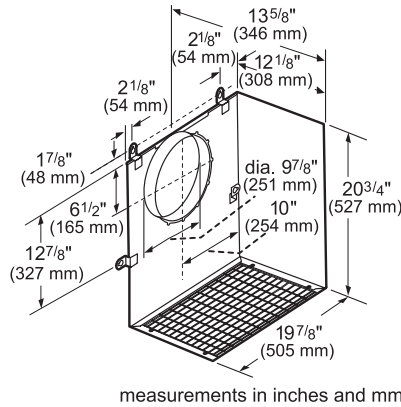
### REMOTE OR INLINE BLOWER INSTALLATION

#### AVAILABLE REMOTE BLOWERS

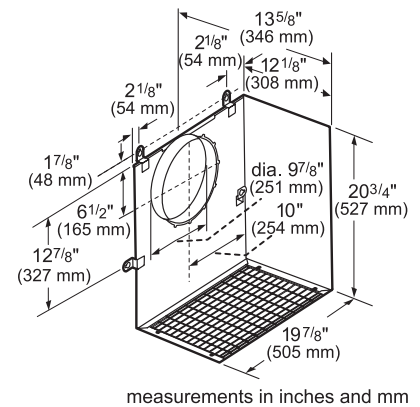
##### VTR630W – 600 CFM



##### VTR1030W – 1000 CFM

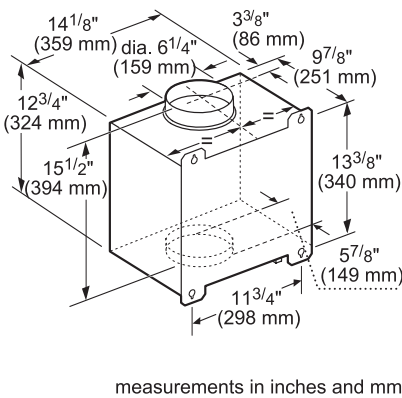


##### VTR1330W – 1300 CFM

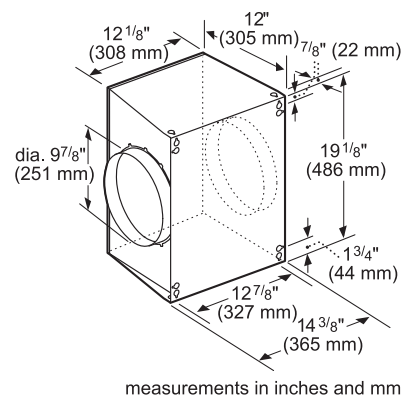


#### AVAILABLE INLINE BLOWERS

##### VTI610W – 600 CFM

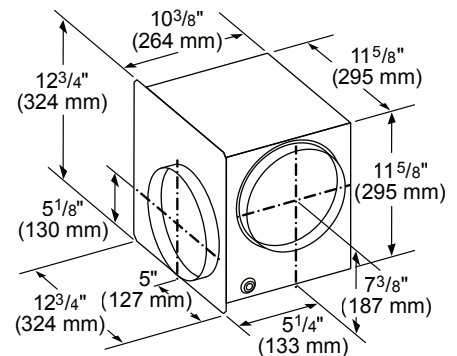


##### VTI1010W – 1000 CFM



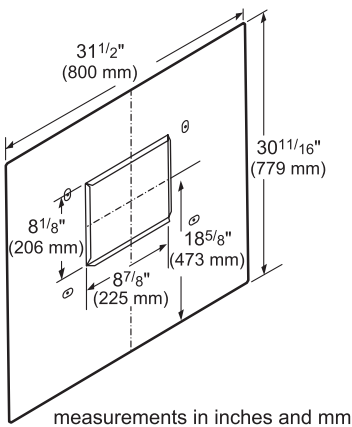
#### AVAILABLE FLEXIBLE BLOWER

##### VTD600P – 600 CFM

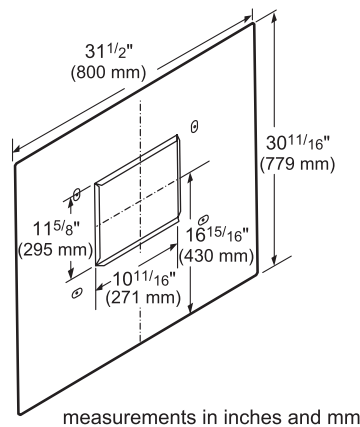


#### AVAILABLE ROOFPLATES

##### RFPLT600P – FOR USE WITH REMOTE BLOWER VTR630W



##### RFPLT1000P – FOR USE WITH 1000 CFM REMOTE BLOWER VTR1030W AND 1300 CFM BLOWER VTR1330W



# UCVP36RS

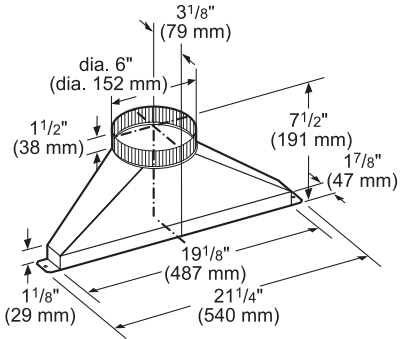
## 36-INCH DELUXE DOWNDRAFT VENTILATION

MASTERPIECE® SERIES



### REMOTE OR INLINE BLOWER INSTALLATION CONTINUED

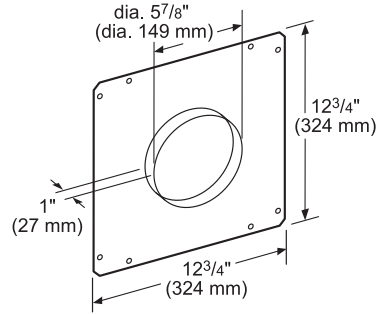
### BLOWER DOWNDRAFT TRANSITIONS



measurements in inches (mm)



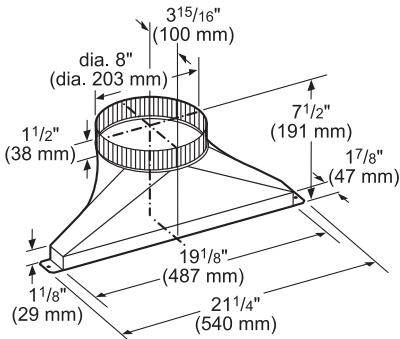
**CVTSIDE6**  
6" round transition allows for left, right, or rear venting. Use with inline and remote blowers, and ducting with 6" round duct connections.



measurements in inches (mm)



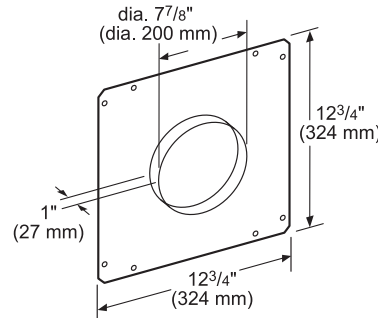
**CVTFRONT6**  
6" front rough-in plate allows for front venting. Use with inline and remote blowers, and ducting with 6" round duct connections.



measurements in inches (mm)



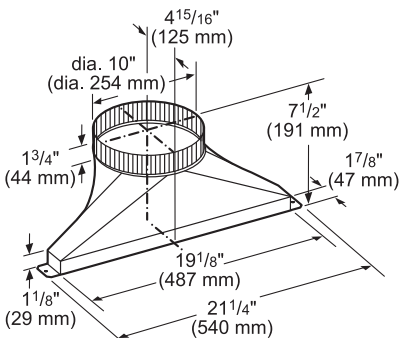
**CVTSIDE8**  
8" round transition allows for left, right, or rear venting. Use with VTD600P blower as an inline installation, and ducting with 8" round duct connections.



measurements in inches (mm)



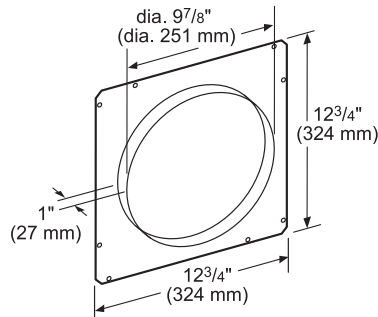
**CVTFRONT8**  
8" round front plate allows for front downward venting. Use with VTD600P blower as an inline installation, and ducting with 8" round duct connections.



measurements in inches (mm)



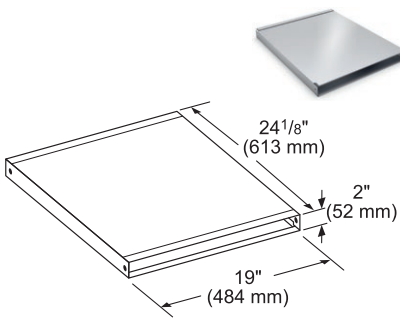
**CVTSIDE10**  
10" round transition allows for left, right, or rear venting. Use with inline and remote blowers, and ducting with 10" round duct connections.



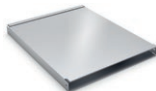
measurements in inches (mm)



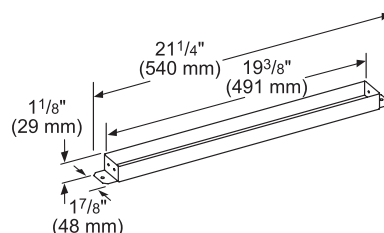
**CVTFRONT10**  
10" front rough-in plate allows for front venting. Use with inline and remote blowers, and ducting with 10" round duct connections.



measurements in inches (mm)



**CVDUCT2**  
Rectangular 2 ft. long x 1 7/8 in deep x 19 in wide duct. CVDUCT2 transition required to directly connect CVDUCT2 to sides or rear of downdraft housing. Can be used as an extension to exhaust through a cabinet or wall, and can be cut to modify length. For use with installation of inline or remote blower applications with CVTSIDE6, CVTSIDE8, and CVTSIDE10.



measurements in inches (mm)



**CVTRECT2**  
Transition required to connect CVDUCT2 rectangular duct to downdraft housing at left, right, or rear

# UCVP36RS

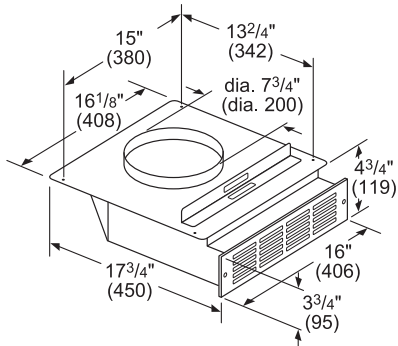
## 36-INCH DELUXE DOWNDRAFT VENTILATION

MASTERPIECE® SERIES

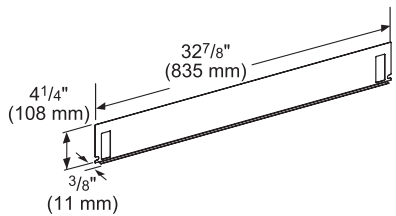


### REMOTE OR INLINE BLOWER INSTALLATION CONTINUED

#### OPTIONAL ACCESSORIES



Measurements in inches and (mm)



measurements in inches (mm)



#### RECIRCULATION KIT UCVRECIRC

Includes 1 charcoal filter and 1 metal grill vent plate (blower sold separately). Use with induction/electric cooktops only



#### REPLACEMENT CHARCOAL FILTER UCVFILTER

Includes 1 replacement charcoal filter for UCVRECIRC recirculation kit



#### EXTNCB5

This cable extends 5 ft. to move the electrical panel out of the way to offer full installation flexibility in any ducting scenario while installing the downdraft. Ability to connect two cables together to make a 10 ft. cable.

#### EXTNCB25W

For use with the following inline, remote and flexible blowers: VTR630W, VTR1030W, VTR1330W, VTI610W, VTI1010W, VTD600P



#### DOWNDRAFT GAS COOKTOP SEAL TRIM KIT UCV36ST

Includes trim, seal, metal grill, and fasteners. Required for installations with 36" gas cooktops.



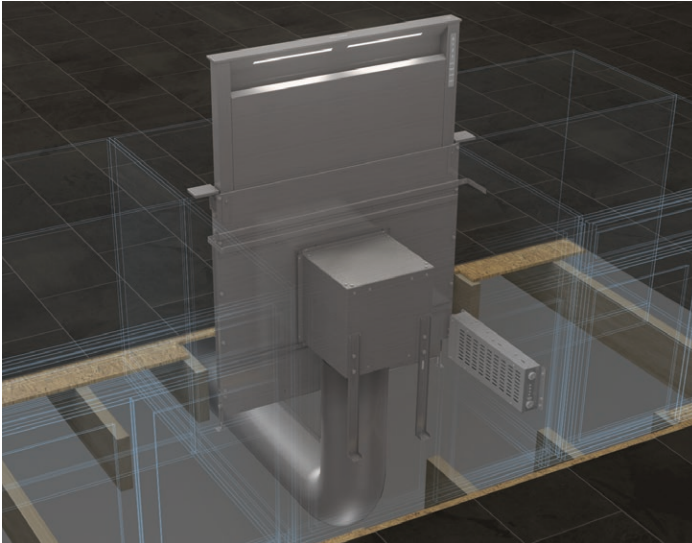
# UCVP36RS

## 36-INCH DELUXE DOWNDRAFT VENTILATION

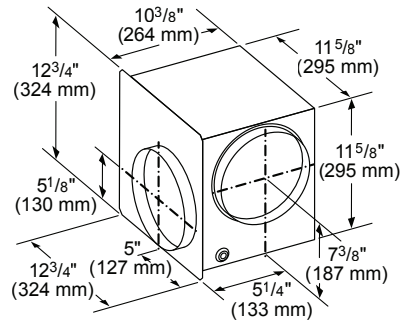
MASTERPIECE® SERIES



### FLEXIBLE BLOWER INSTALLATION – FRONT EXHAUST EXAMPLE



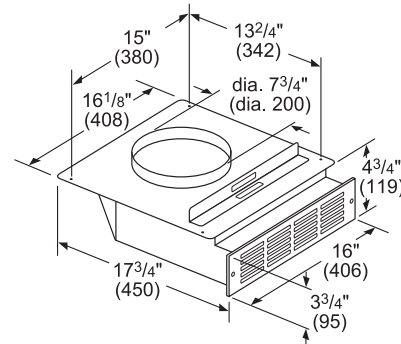
#### REQUIRED BLOWER



**VTD600P – 600 CFM**  
 600 CFM flexible blower can be installed as an integrated or inline blower

measurements in inches (mm)

#### OPTIONAL ACCESSORIES

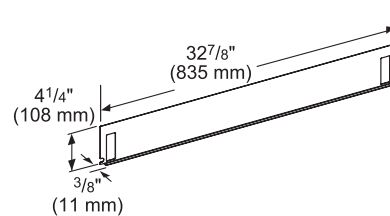


Measurements in inches and (mm)



#### RECIRCULATION KIT UCVRECIRC

Includes 1 charcoal filter and 1 metal grill vent plate (blower sold separately). Use with induction/electric cooktops only



measurements in inches (mm)



#### DOWNDRAFT GAS COOKTOP SEAL TRIM KIT UCV36ST

Includes trim, seal, metal grill, and fasteners. Required for installations with 36" gas cooktops.

#### APPLICATION

- Front downward application with space under floor line for ductwork\*
- Integral blower with front downward application can be used with optional recirculation kit\*
- Integral blower can rotate for left or right exhaust
- Elbow and ductwork are not included



#### REPLACEMENT CHARCOAL FILTER UCVFILTER

Includes 1 replacement charcoal filter for UCVRECIRC recirculation kit



#### EXTNCE5

This cable extends 5 ft. to move the electrical panel out of the way to offer full installation flexibility in any ducting scenario while installing the downdraft. Ability to connect two cables together to make a 10 ft. cable.

\*For only front downward ducting applications, electrical panel must be remotely mounted. Optional 5' extension cable EXTNCE5 accessory is available to connect remotely placed electrical panel to downdraft. Refer to installation manual.



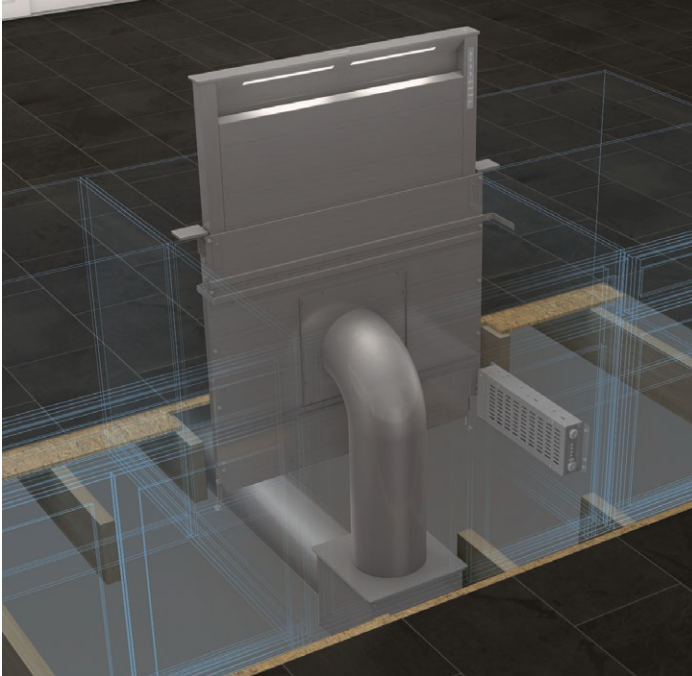
# UCVP36RS

## 36-INCH DELUXE DOWNDRAFT VENTILATION

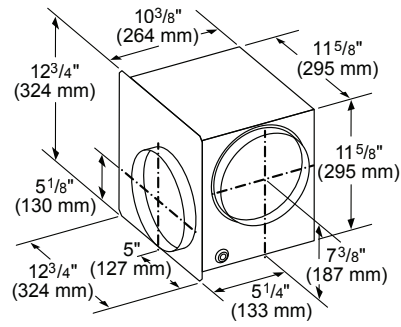
MASTERPIECE® SERIES



### FLEXIBLE BLOWER INSTALLATION – FRONT EXHAUST WITH FLEXIBLE BLOWER BELOW FLOOR LINE EXAMPLE



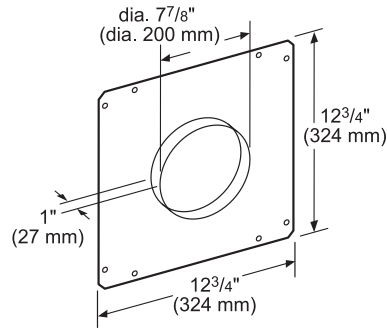
#### REQUIRED BLOWER



measurements in inches (mm)

**VTD600P – 600 CFM**  
 600 CFM flexible blower can be installed as an integrated or inline blower

#### REQUIRED ACCESSORIES



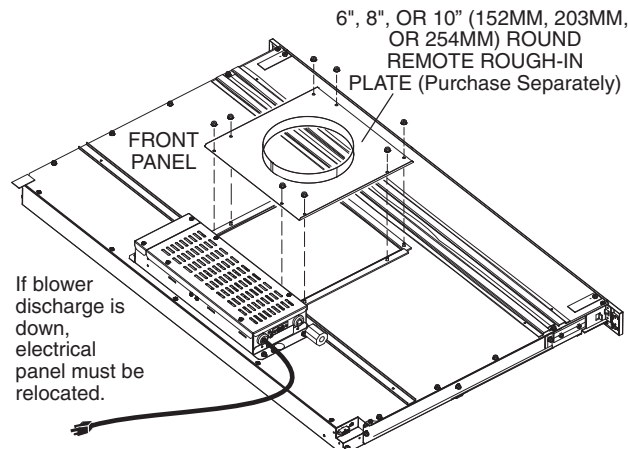
measurements in inches (mm)



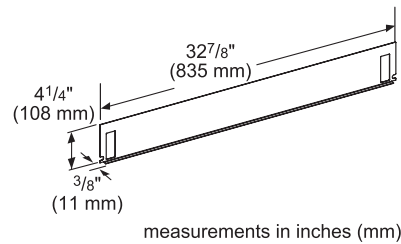
**CVTFRONT8**  
 8" round front plate allows for front downward venting. Use with VTD600P blower as an inline installation, and ducting with 8" round duct connections.

#### APPLICATION

- Front downward application with space under floor line for ductwork\*
- Elbow and ductwork are not included



#### OPTIONAL ACCESSORIES



measurements in inches (mm)



**DOWNDRAFT GAS COOKTOP SEAL TRIM KIT UCV36ST**  
 Includes trim, seal, metal grill, and fasteners. Required for installations with 36" gas cooktops.



#### EXTNCES

This cable extends 5 ft. to move the electrical panel out of the way to offer full installation flexibility in any ducting scenario while installing the downdraft. Ability to connect two cables together to make a 10 ft. cable.

\*For front downward ducting applications, electrical panel must be remotely mounted. Optional 5' extension cable EXTNCES5 accessory is available to connect remotely placed electrical panel to downdraft. Refer to installation manual.

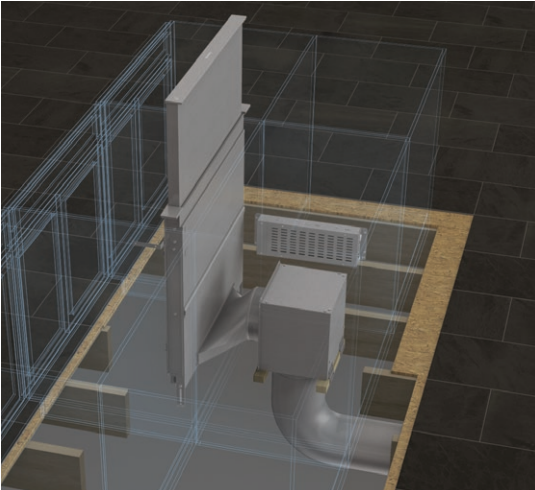
# UCVP36RS

## 36-INCH DELUXE DOWNDRAFT VENTILATION

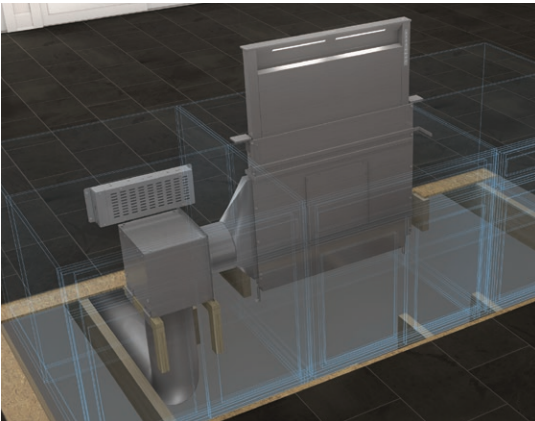
MASTERPIECE® SERIES



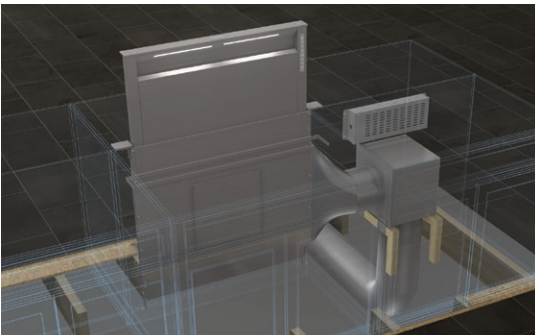
### FLEXIBLE BLOWER INSTALLATION – REAR, LEFT OR RIGHT SIDE EXHAUST EXAMPLE



Rear Exhaust



Left Side Exhaust

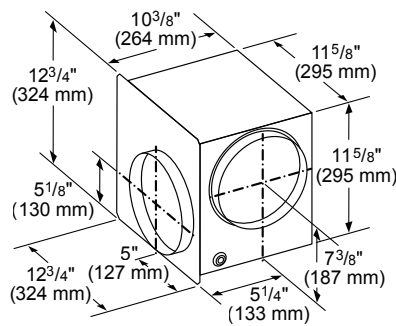


Right Side Exhaust

#### APPLICATION

- Rear, left or right side exhaust options to preserve precious kitchen storage space or if ducting is more convenient for these configurations\*
- Requires at least 18" of clearance to fit the blower and transition
- Blower must be accessible for maintenance
- Elbow and ductwork are not included

#### REQUIRED BLOWER

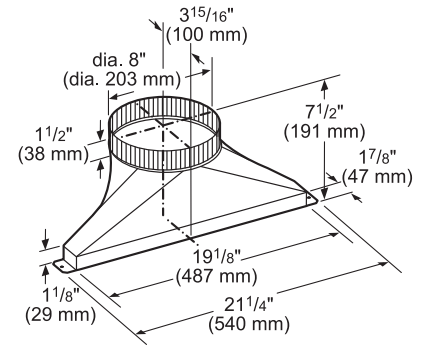


measurements in inches (mm)

#### VTD600P – 600 CFM

600 CFM flexible blower can be installed as an integrated or inline blower

#### REQUIRED ACCESSORY



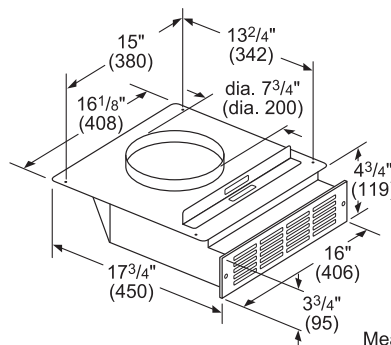
measurements in inches (mm)

#### CVTSIDES

8" round transition allows for rear venting. Use with VTD600P blower as an inline installation, and ducting with 8" round duct connections.



#### OPTIONAL ACCESSORIES



Measurements in inches and (mm)



#### RECIRCULATION KIT UCVRECIRC

Includes 1 charcoal filter and 1 metal grill vent plate (blower sold separately). Use with induction/electric cooktops only



#### REPLACEMENT CHARCOAL FILTER UCVFILTER

Includes 1 replacement charcoal filter for UCVRECIRC recirculation kit



#### DOWNDRAFT GAS COOKTOP SEAL TRIM KIT UCV36ST

Includes trim, seal, metal grill, and fasteners. Required for installations with 36" gas cooktops.



#### EXTNCES

This cable extends 5 ft. to move the electrical panel out of the way to offer full installation flexibility in any ducting scenario while installing the downdraft. Ability to connect two cables together to make a 10 ft. cable.

\*For only front downward ducting applications, electrical panel must be remotely mounted. Electrical panel can still be remotely mounted in other exhaust configurations if desired. Optional 5' extension cable EXTNCES5 accessory is available to connect remotely placed electrical panel to downdraft. Refer to installation manual.

**NOTE:** Some applications may require deeper cabinets. Side and rear exhaust require at least 18" of clearance to fit the blower and/or ductwork. Refer to installation manual.

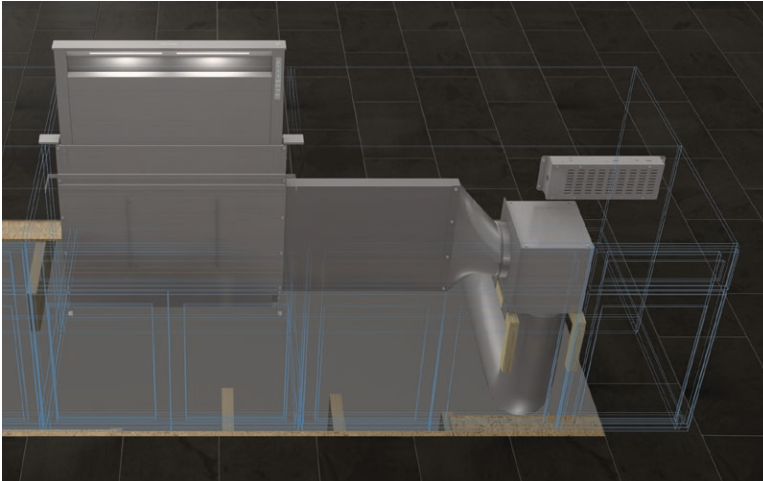
# UCVP36RS

## 36-INCH DELUXE DOWNDRAFT VENTILATION

MASTERPIECE® SERIES



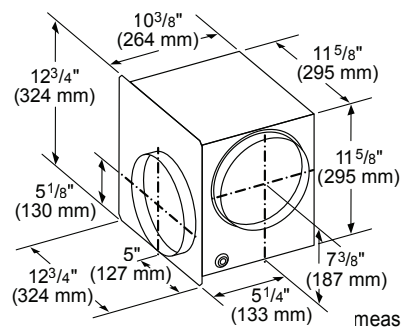
### FLEXIBLE BLOWER INSTALLATION – SIDE EXHAUST WITH SLIM 2' RECTANGULAR DUCT EXAMPLE



#### APPLICATION

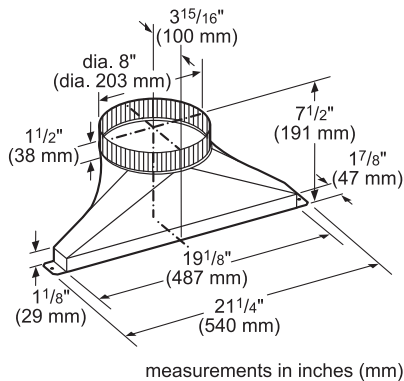
- Side exhaust option to preserve precious kitchen storage space or if ducting is more convenient for this configuration\*
- A slim 2' rectangular duct is available to place flexible blower in areas such as unused corner in island or peninsula applications
- Blower must be accessible for maintenance
- Elbow and ductwork are not included

#### REQUIRED BLOWER



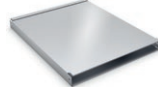
**VTD600P – 600 CFM**  
600 CFM flexible blower can be installed as an integrated or inline blower

#### REQUIRED ACCESSORIES



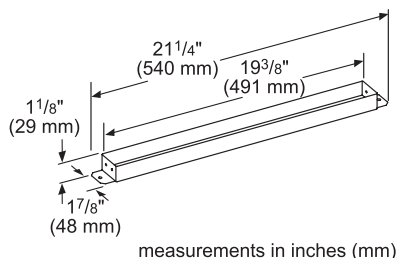
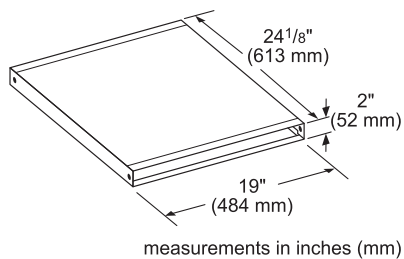
#### CVTSIDE8

8" round transition to connect CVDUCT2 to VTD600P. Use with VTD600P blower as an inline installation, and ducting with 8" round duct connections.



#### CVDUCT2

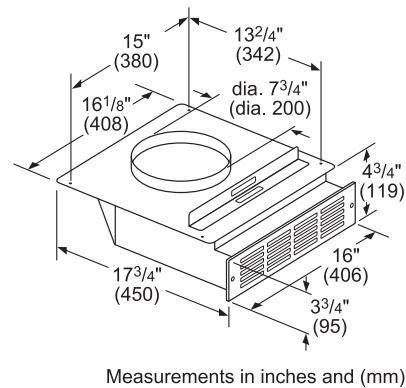
Rectangular 2 ft. long x 1 7/8 in deep x 19 in wide duct. CVDUCT2 transition required to directly connect CVDUCT2 to sides or rear of downdraft housing. Can be used as an extension to exhaust through a cabinet or wall, and can be cut to modify length. For use with installation of inline or remote blower applications with CVTSIDE6, CVTSIDE8, and CVTSIDE10.



#### CVTRECT2

Transition required to connect CVDUCT2 rectangular duct to downdraft housing at left, right, or rear

#### OPTIONAL ACCESSORIES



#### RECIRCULATION KIT UCVCIRC

Includes 1 charcoal filter and 1 metal grill vent plate (blower sold separately). Use with induction/electric cooktops only



#### REPLACEMENT CHARCOAL FILTER UCVCFILTER

Includes 1 replacement charcoal filter for UCVCIRC recirculation kit



#### DOWNDRAFT GAS COOKTOP SEAL TRIM KIT UCV36ST

Includes trim, seal, metal grill, and fasteners. Required for installations with 36" gas cooktops.



#### EXTNCES

This cable extends 5 ft. to move the electrical panel out of the way to offer full installation flexibility in any ducting scenario while installing the downdraft. Ability to connect two cables together to make a 10 ft. cable.

\*For only front downward ducting applications, electrical panel must be remotely mounted. Electrical panel can still be remotely mounted in other exhaust configurations if desired. Optional 5' extension cable EXTNCES accessory is available to connect remotely placed electrical panel to downdraft. Refer to installation manual.



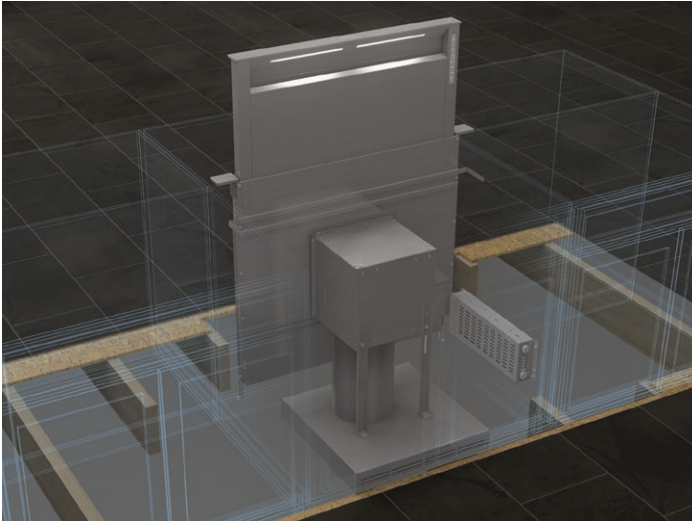
# UCVP36RS

## 36-INCH DELUXE DOWNDRAFT VENTILATION

MASTERPIECE® SERIES

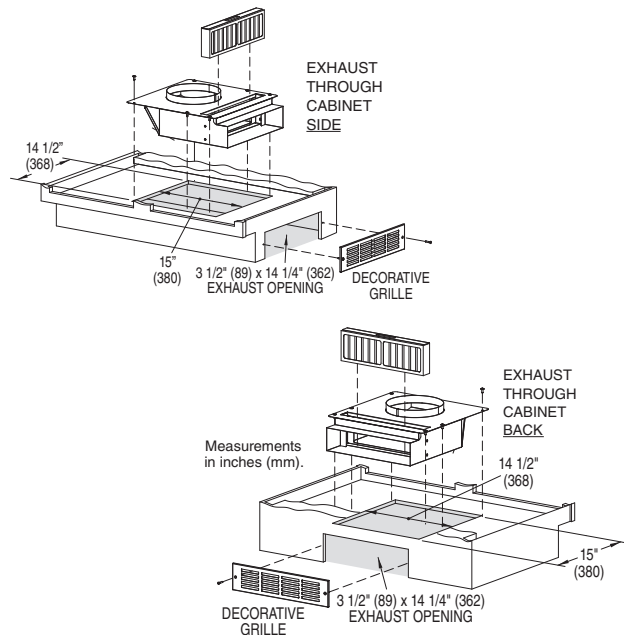


### FLEXIBLE BLOWER INSTALLATION – RECIRCULATION EXAMPLE

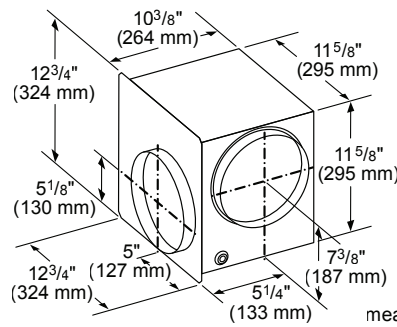


#### APPLICATION

- Allows for non-ducted downdraft installation by eliminating the need to exhaust to the exterior of the home\*
- Recirculation module and metal grill vent plate placement can be rotated for flexible exhaust placement
- Elbow and ductwork are not included
- Use with induction/electric cooktops only

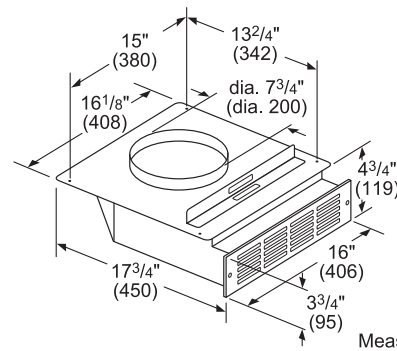


#### REQUIRED BLOWER



**VTD600P – 600 CFM**  
600 CFM flexible blower can be installed as an integrated or inline blower

#### REQUIRED ACCESSORIES



**RECIRCULATION KIT UCVRECIRC**  
Includes 1 charcoal filter and 1 metal grill vent plate (blower sold separately). Use with induction/electric cooktops only

#### OPTIONAL ACCESSORIES



#### REPLACEMENT CHARCOAL FILTER UCVFILTER

Includes 1 replacement charcoal filter for UCVRECIRC recirculation kit



#### DOWNDRAFT GAS COOKTOP SEAL TRIM KIT UCV36ST

Includes trim, seal, metal grill, and fasteners. Required for installations with 36" gas cooktops.



#### EXTNCES

This cable extends 5 ft. to move the electrical panel out of the way to offer full installation flexibility in any ducting scenario while installing the downdraft. Ability to connect two cables together to make a 10 ft. cable.

\*For front downward ducting applications, electrical panel must be remotely mounted. Optional 5' extension cable EXTNCES5 accessory is available to connect remotely placed electrical panel to downdraft. Refer to installation manual.

These warranties give you specific legal rights and you may have other rights that vary from state to state. Full warranty and limited warranty from date of installation. For complete warranty details, refer to your Use & Care manual, or ask your dealer.

Specifications are for planning purposes only. Refer to installation instructions and consult your countertop supplier prior to making counter opening. Consult with a heating and ventilation engineer for your specific ventilation requirements. For the most detailed information, refer to installation instructions accompanying product or write to Thermador indicating the model number. Specifications are correct at time of printing. Thermador reserves the right to change product specifications or design without notice. Some models are certified for use in Canada. Thermador is not responsible for products that are transported from the U.S. for use in Canada.