

UCVM30FS 30-INCH DOWNDRAFT VENTILATION

MASTERPIECE® SERIES



FEATURES & BENEFITS

- Suitable for wall or island applications
- Downdraft rises over 13" to capture steam from the tallest pots
- Downdraft recirculation possible with module RECIRC36DF
- Three fan speeds
- Dishwasher-safe full-face filters also act as a splatter shield

ACCESSORIES (OPTIONAL)

25 ft. Blower Connector Cable

EXTNCB25 - For use with the following Inline and Remote Blowers: VTR630P, VTR1030P, VTR1330P, VTI610P, VTI1010P

Recirculation Kit

RECIRC36DF - Includes 2 charcoal filters, 2 venting grids, and ducting to transition to Integrated Blower (blower sold separately)

Roofplates

RFPLT600P - For use with Remote Blower VTR630P

RFPLT1000P - For use with 1000 CFM Remote Blower VTR1030P and 1300 CFM Blower VTR1330P

Replacement Charcoal Filters

Service Item #291108

GENERAL PROPERTIES

Operating Mode	Convertible: Ducted / Recirculating
Maximum CFM	Blower Sold Separately
Number of Speed Settings	3-Stage
Motor Location	External
Damper Included	No
Grease Filter Material	Washable Synthetic
Grease Filter Type	Multilayer Cassette

TECHNICAL DETAILS

Current (A)	10 A
Volts (V)	120 V
Frequency (Hz)	60 Hz
Plug Type	120V-3 prong
Power Cord Length (in)	57"

DIMENSIONS & WEIGHT

Overall Appliance Dimensions (Width of Canopy Included) (HxWxD) (in)	34 1/2" x 30 7/8" x 3 3/4"
Height of the Rise (in.)	13"
Diameter of Air Duct (in.) Back	10"
Net Weight (lbs)	37 lbs

ACCESSORIES (REQUIRED)

Blower (Sold Separately)

BLOWERS AND TRANSITIONS

Remote Blowers

VTR630P - 600 CFM (Requires Transition CV2T6)

VTR1030P - 1000 CFM (Requires Transition CV2T10)

Inline Blowers

VTI610P - 600 CFM (Requires Transition CV2T6)

VTI1010P - 1000 CFM (Requires Transition CV2T10)

Integrated Blower

VTN600CV2C - 600 CFM

Remote and Inline Blower Downdraft Transitions

CV2T6 - Required for installation of 600 CFM Inline and Remote Blowers with 6" duct connections

CV2T10 - Required for installation of 1000 CFM Inline and Remote Blowers with 10" duct connections

WARRANTY

Limited Warranty Parts and Labor	2 Year
----------------------------------	--------

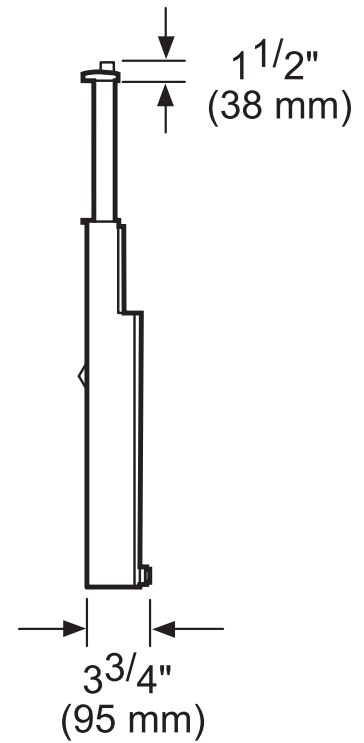
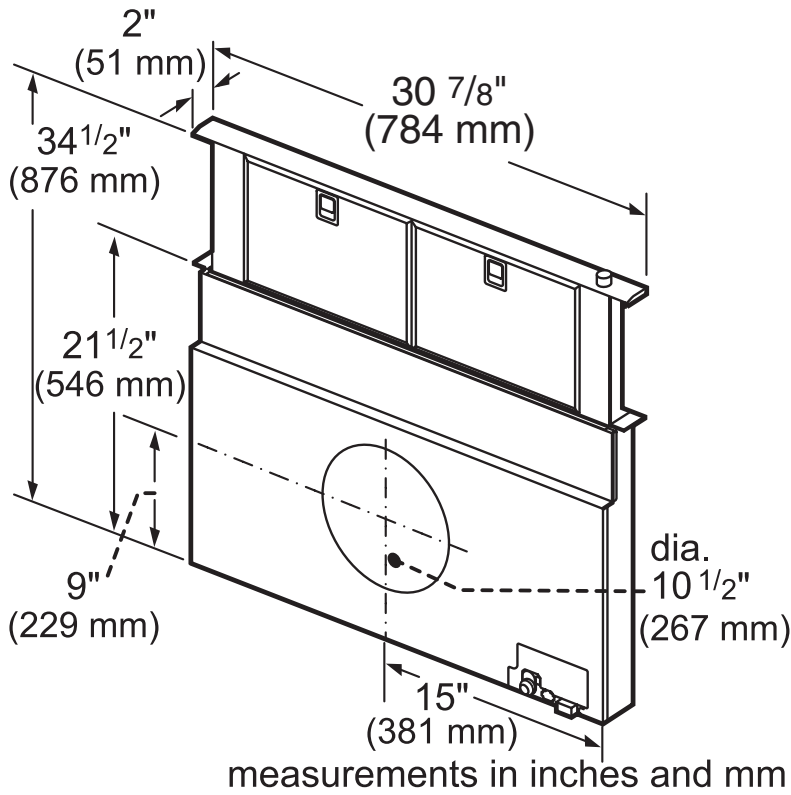
UCVM30FS

30-INCH DOWNDRAFT VENTILATION

MASTERPIECE® SERIES

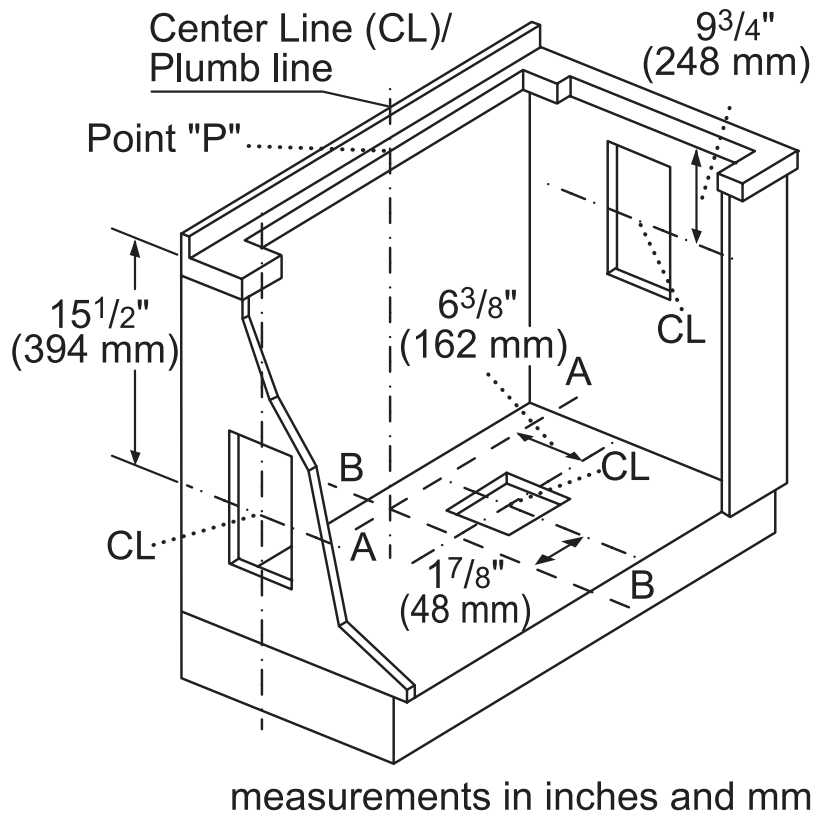
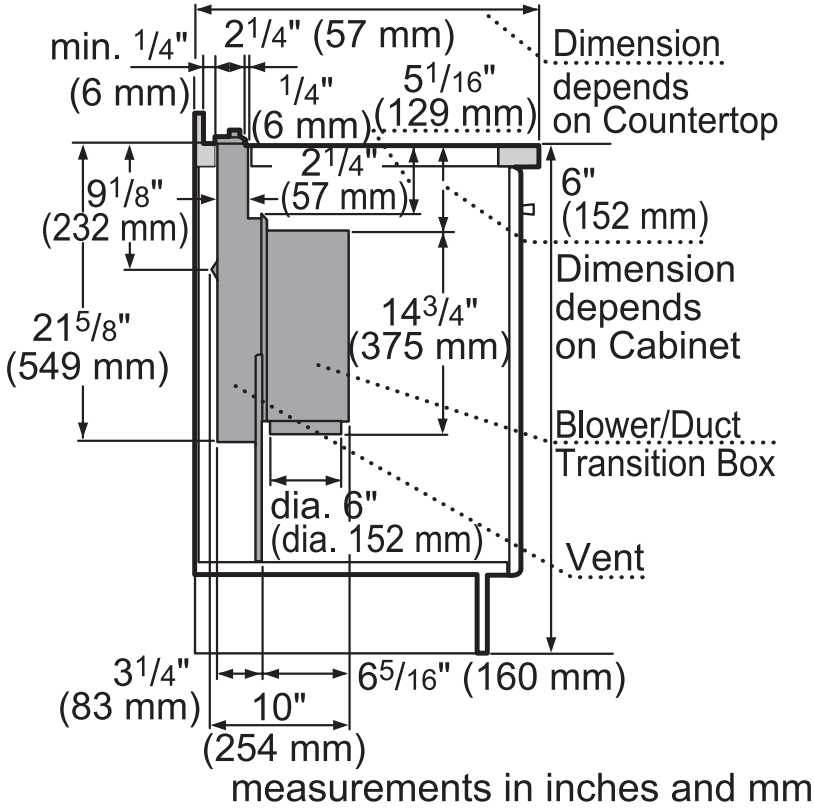


HOOD DIMENSIONS



measurements in inches and mm

HOOD DIMENSIONS



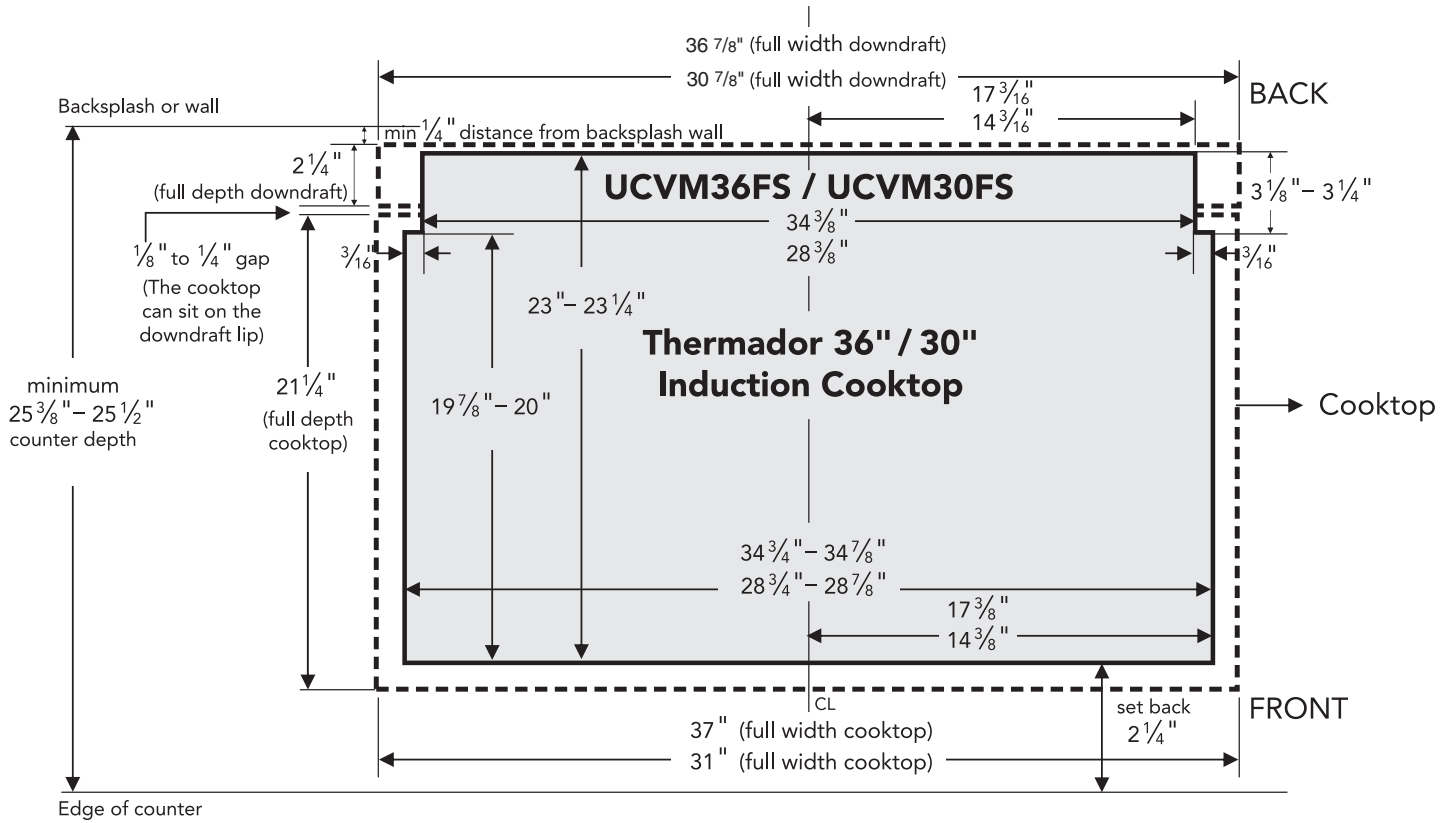
UCVM30FS

30-INCH DOWNDRAFT VENTILATION

MASTERPIECE® SERIES



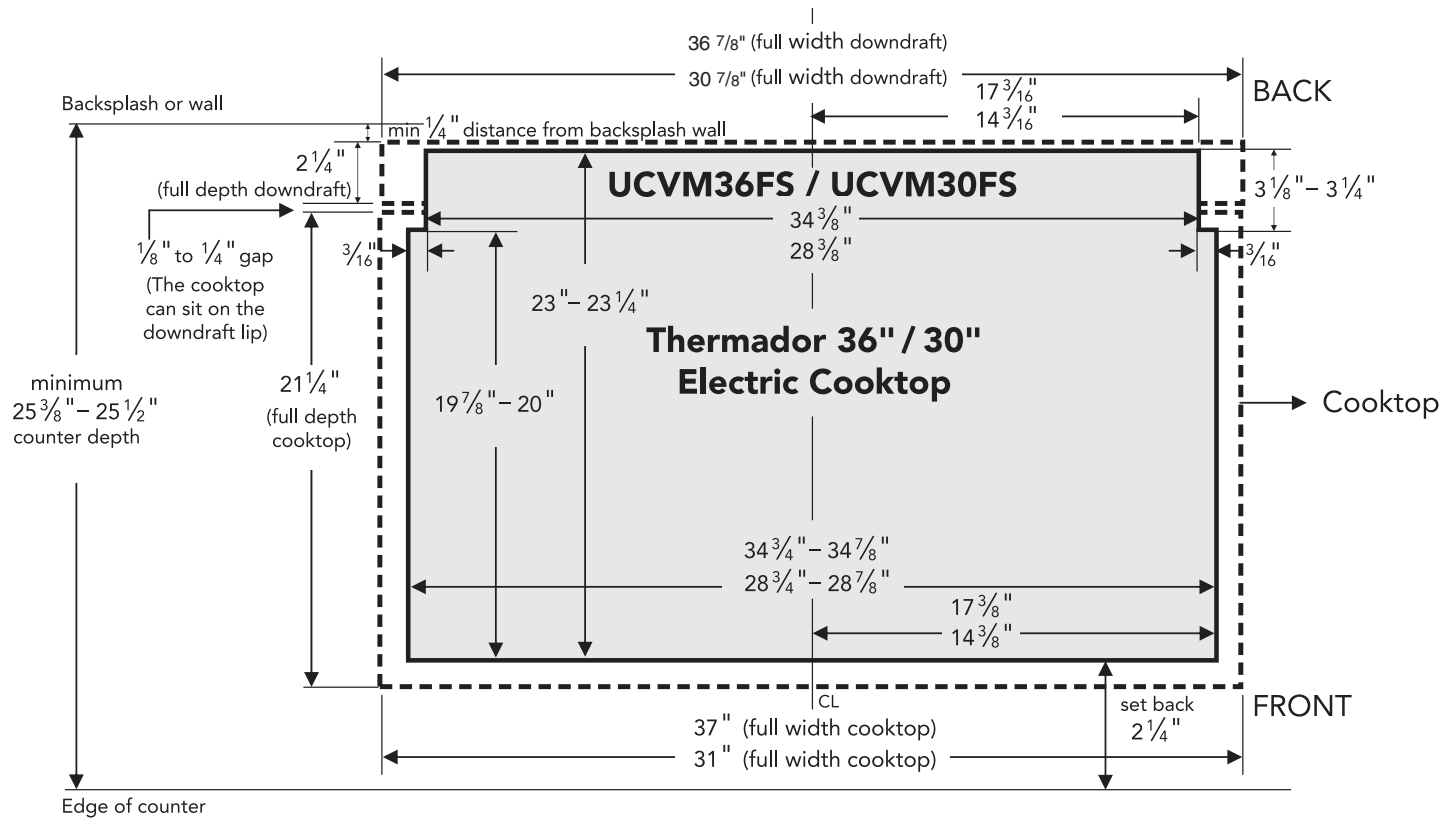
CUTOUT DIMENSIONS (TOP VIEW)



Note: For detailed electrical and gas hookups, please refer to cooktop installation instruction.

— Cutout
 - - - Full appliance dimension

CUTOUT DIMENSIONS (TOP VIEW)



Note: For detailed electrical and gas hookups, please refer to cooktop installation instruction.

— Cutout
 - - - Full appliance dimension

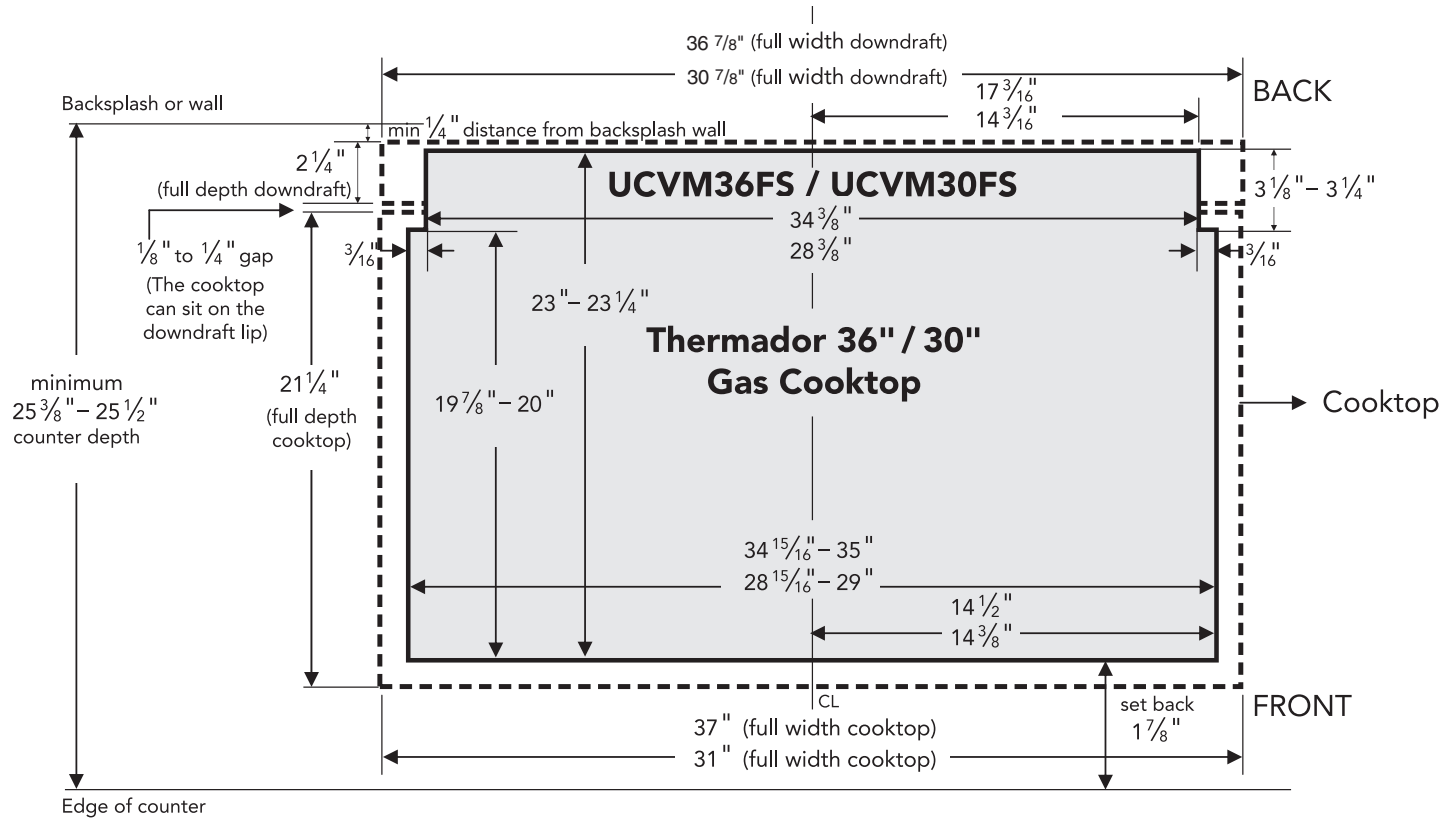
UCVM30FS

30-INCH DOWNDRAFT VENTILATION

MASTERPIECE® SERIES



CUTOUT DIMENSIONS (TOP VIEW)



Note: For detailed electrical and gas hookups, please refer to cooktop installation instruction.

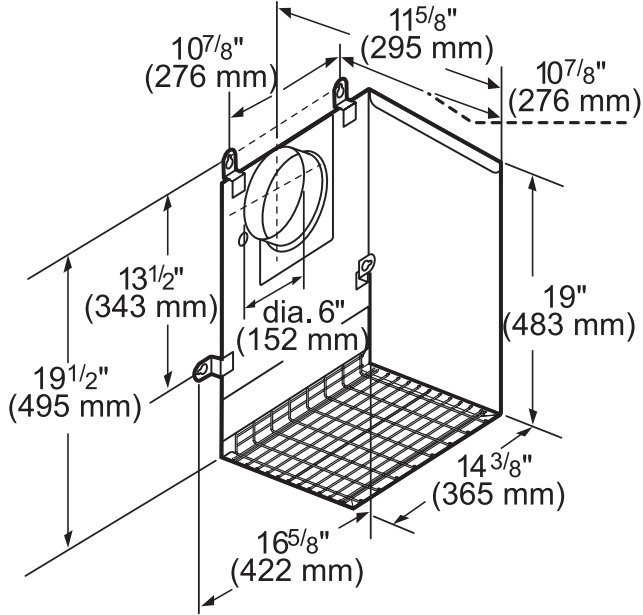
- Cutout
- - - Full appliance dimension

UCVM30FS
30-INCH DOWNDRAFT VENTILATION
MASTERPIECE® SERIES



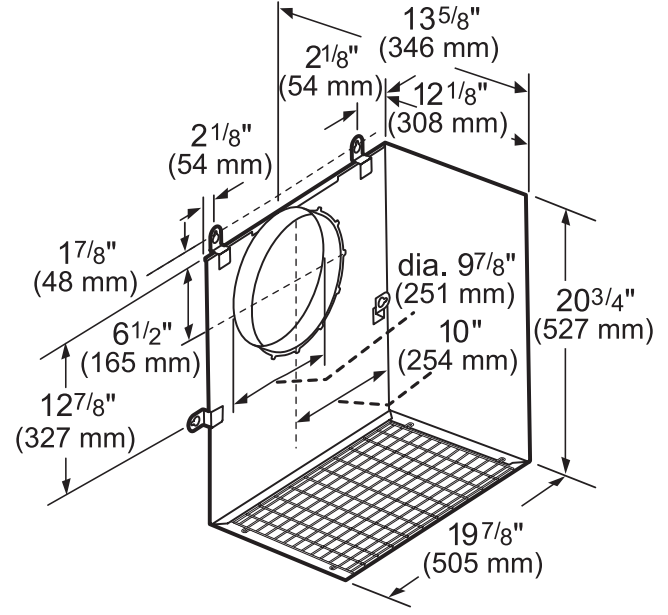
REMOTE BLOWERS

VTR630P-600 CFM



measurements in inches and mm

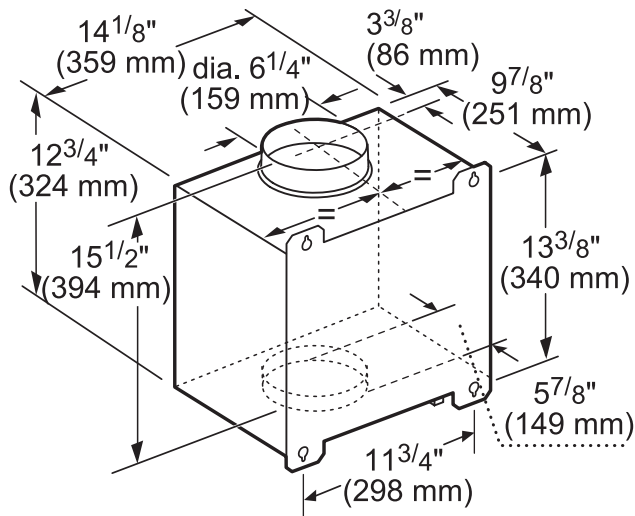
VTR1030P-1000 CFM



measurements in inches and mm

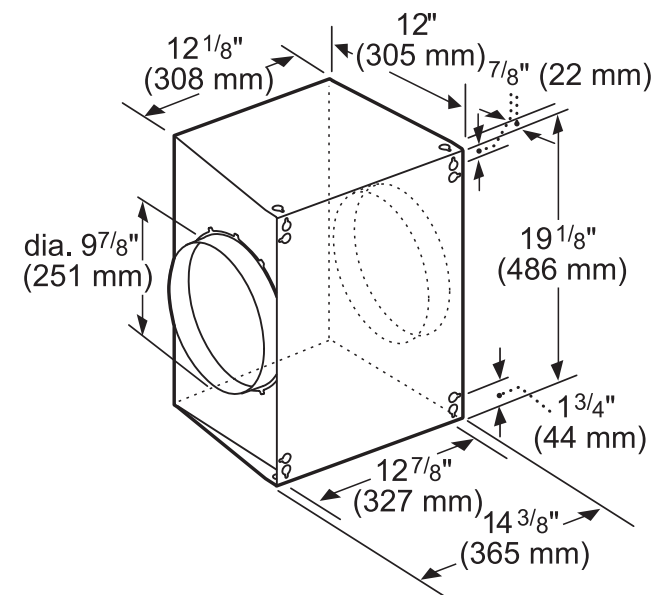
INLINE BLOWERS

VTI610P-600 CFM



measurements in inches and mm

VTI1010P-1000 CFM



measurements in inches and mm

UCVM30FS

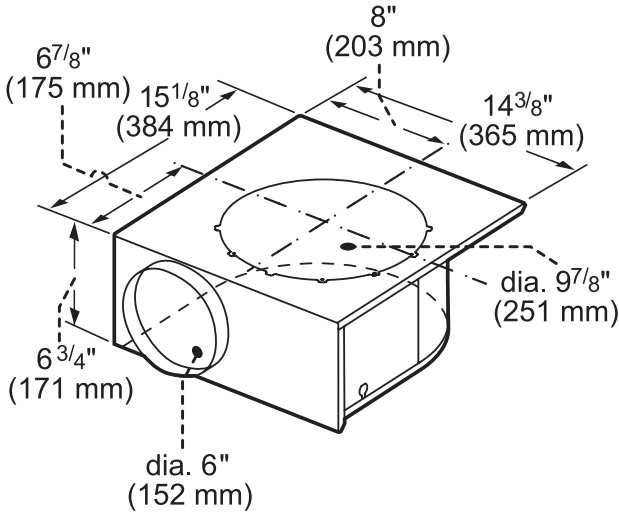
30-INCH DOWNDRAFT VENTILATION

MASTERPIECE® SERIES



INTEGRATED BLOWERS

VTN600CV2C-600 CFM



measurements in inches and mm

OPTIONAL ACCESSORIES

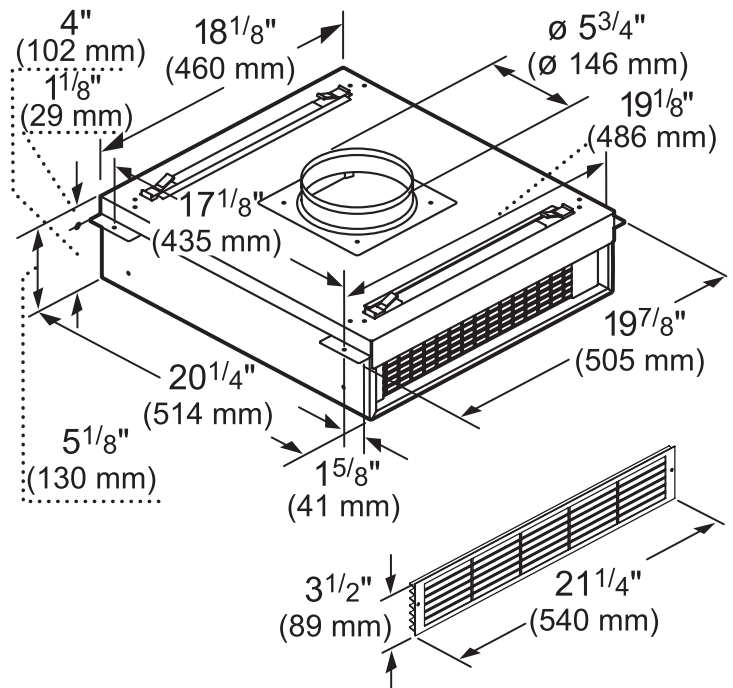
RECIRCULATION KIT

RECIRC36DF

- Comes complete with 2 charcoal filters, 2 venting grids, and ducting to transition to integrated blower (blower sold separately)
- For toekick heights of 4" or taller
- Wall or island applications
- Easily mounts to integrated blower (VTN600CV2C) under cooktop
- Toekick / socket can be vented in any direction
- Mounts to base of cabinet; recesses into toekick
- To be used only with Thermador Downdraft and Integrated Blower
- Replacement filters are ordered as a service item
- Filters should be replaced twice a year

REPLACEMENT CHARCOAL FILTERS

Sold separately as service item #291108
(For use with recirculation module)



measurements in inches and mm

UCVM30FS

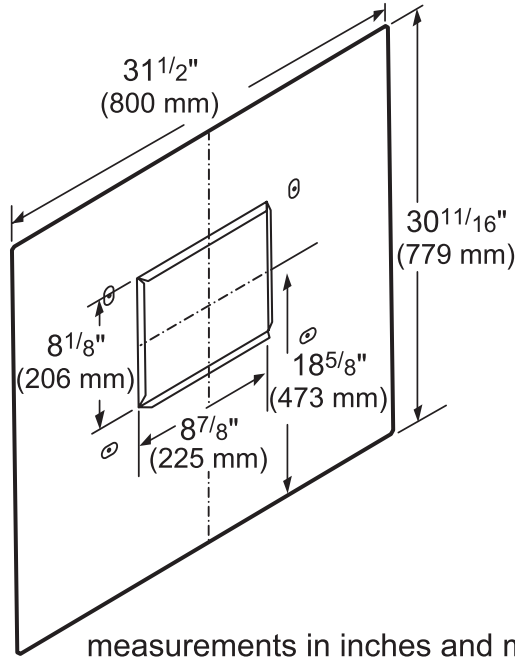
30-INCH DOWNDRAFT VENTILATION

MASTERPIECE® SERIES

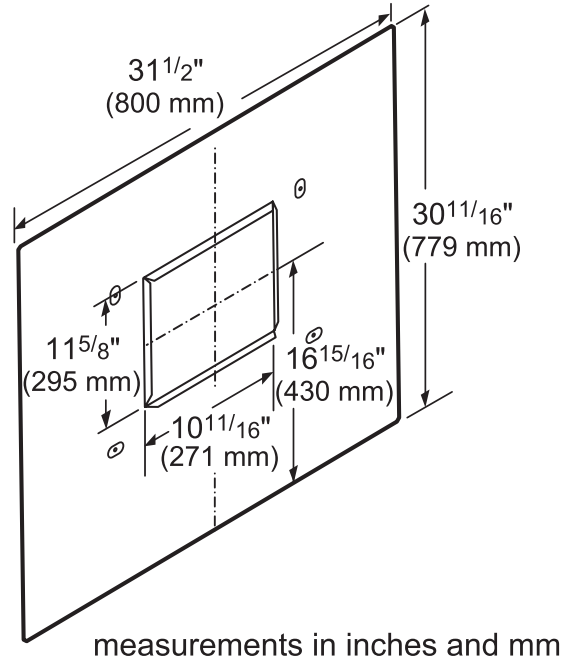


REMOTE BLOWER ACCESSORIES

ROOFPLATE RFPLT600P



ROOFPLATE RFPLT1000P



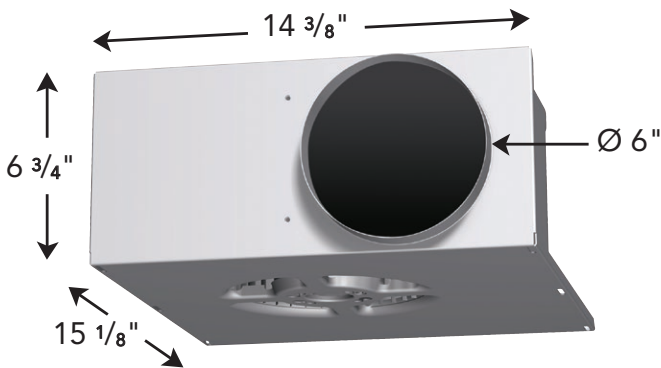
EXTNCB25

25 ft. Blower Connector Cable for use with the following Inline and Remote blowers: VTR630P, VTR1030P, VTR1330P, VT1610P, VT11010P

TRANSITIONS

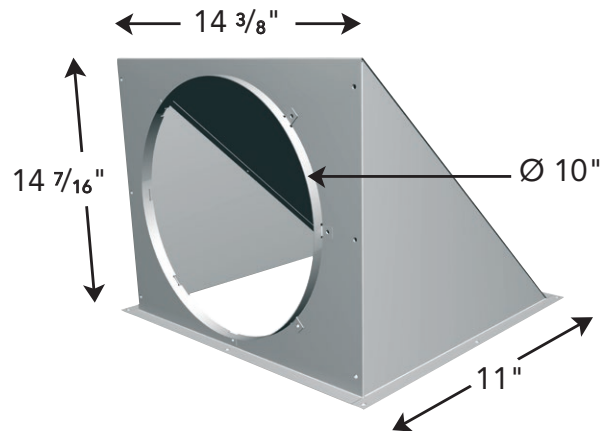
CV2T6

Transition piece required for installation of 600 CFM Inline and Remote Blowers with 6" duct connections— downdraft applications only



CV2T10

Transition piece required for installation of 1000 CFM Inline and Remote Blowers with 10" duct connections - downdraft applications only



These warranties give you specific legal rights and you may have other rights that vary from state to state. Full warranty and limited warranty from date of installation. For complete warranty details, refer to your Use & Care manual, or ask your dealer.

Specifications are for planning purposes only. Refer to installation instructions and consult your countertop supplier prior to making counter opening. Consult with a heating and ventilation engineer for your specific ventilation requirements. For the most detailed information, refer to installation instructions accompanying product or write to Thermador indicating the model number. Specifications are correct at time of printing. Thermador reserves the right to change product specifications or design without notice. Some models are certified for use in Canada. Thermador is not responsible for products that are transported from the U.S. for use in Canada.