

**Liberty®, Induction freestanding range cooker, Stainless steel
PRI30LBHC**



The range combines unmatched Induction flexibility and performance with the power of a Convection Oven to create a range that's sure to move you. The cooktop has two extra-large flexible cooking zones that can accommodate large or oblong cookware.

- Liberty® Induction Cooktop: is designed for greater flexibility when cooking and a sleek smooth surface makes cleaning fast and simple. The induction cooktop has two extra-large flexible cooking zones.
- Frameless Design: Frameless black glass cooktop covers the surface seamlessly fitting into any kitchen.
- True Convection Oven: Convection oven with a third element, adds greater efficiency to your convection baking to cook multiple levels of sheet pans evenly.
- One Full Access® Telescopic Rack: glides smoothly on ball bearings, allowing them to extend for safe, easy access while supporting the heaviest dishes.
- Truly Flush Mounted: designed to fit perfectly flush alongside standard 24" depth cabinets.

UPC code:825225968092
 Product color:Stainless steel
 Watts: 13200 W
 Fuse protection:50 A
 Volts:240/208 V
 Frequency:60 Hz
 Required cutout size (HxWxD) (in): 30" width slide-in
 Overall appliance dimensions (HxWxD) (in): 35 7/8" x 29 15/16" x 24 3/4"
 Variable cooker height (in):1"
 AHAM volume (of cavity) - cavity 1: 3 Cu Ft
 Product packaging dimensions (HxWxD):49 1/4 x 43 1/2 x 40 3/8
 Net weight: 338.000 lbs
 Gross weight: 375.000 lbs

- CHEFSPAN08 Chefspan Ø 8"
 HEZ390210 System pan diameter 15 cm
 PARKB3XIHB Blue Knob Kit 30/36 Induction Harmony
 TEPPAN1013 Teppan Yaki (small)
 TEPPAN1016 Teppan Yaki (large)
 TGRILLPANX Induction Grill Pan
 TROASTERT Stainless Steel roaster with glas lid



Liberty®, Induction freestanding range
cooker, Stainless steel
PRI30LBHC

The range combines unmatched Induction flexibility and performance with the power of a Convection Oven to create a range that's sure to move you. The cooktop has two extra-large flexible cooking zones that can accommodate large or oblong cookware.

Innovation

- Extra-large cooking surfaces allow for tailored cooking zones, place your cookware wherever you want on the Liberty™ cooking zone
- CookSmart® with 5 pre-set temperature levels
- HeatShift™ feature has three preset heat zones that allows you to change the power level by simply moving the pot across the cooking zone
- MoveMode™ feature allows easy transfer of settings
- Wi-Fi connectivity allows the cooktop and matching hood to communicate with one another to synchronize turning on task lighting and ventilation

Performance

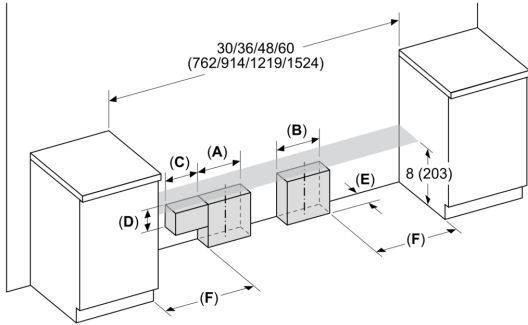
- Left and right Liberty™ zones can be used as 2 separate cooking zones or combined into one large zone
- PowerBoost® setting
- 5 induction cooking elements
- Automatic pan recognition
- 2 stage residual heat indicators

Design

- Frameless design

Liberty®, Induction freestanding range
 cooker, Stainless steel
PRI30LBHC

Measurements in inches (mm)



	A	B	C	D	E	F
G	4 (102)	6 (152)	-	-	2 (51)	5 (127)
H	4 (102)	6 (152)	4 (102)	3 (76)	2 (51)	8 (203)
I	4 (102)	6 (152)	4 (102)	3 (76)	1 (25)	8 (203)

A: Gas zone
 B: Electric zone
 G: All Harmony series
 H: 36"/48" Grand series
 I: 60" Grand series

Measurements in inches (mm)

