

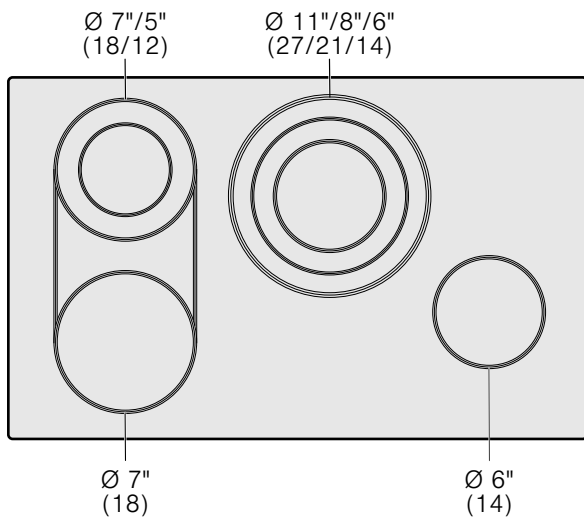
Use and care
GUIDE

Masterpiece® Series Electric Cooktop

CEM305TB CEM366TB



CEM305TB



CEM366TB

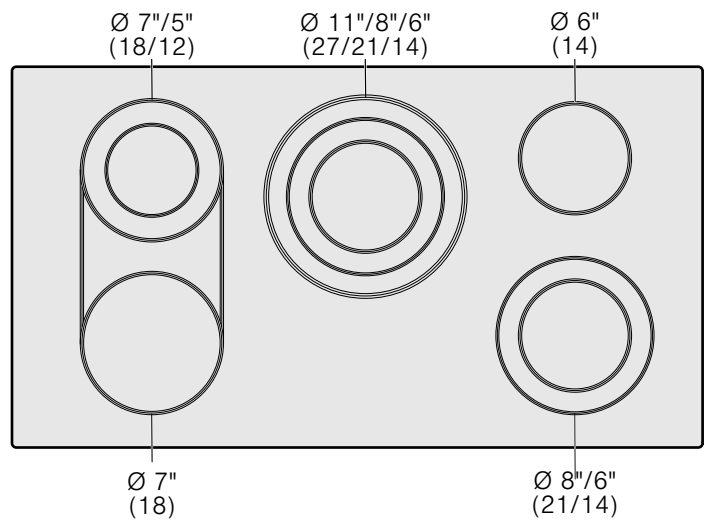


Table of CONTENTS

▲ Safety Definitions	4
IMPORTANT SAFETY INSTRUCTIONS	5
Fire Safety	5
Cooking Safety	5
Burn Prevention	6
Child Safety	6
Cleaning Safety	6
Cookware Safety	6
Proper Installation and Maintenance	6
Proposition 65 Warning	7
Causes of damage	8
Protecting the Environment	8
Energy-saving advice	8
Getting familiar with the appliance	9
Control Panel	9
Heating elements	9
Operation	10
Setting the cooktop	10
Cleaning and Maintenance	11
Daily Cleaning	11
Cleaning guidelines	11
Cleaning chart	12
Maintenance	12
Service	13
How to Obtain Warranty Service	13
STATEMENT OF LIMITED PRODUCT WARRANTY	13
What this Warranty Covers & Who it Applies to	13
How Long the Warranty Lasts	13
Repair/Replace as Your Exclusive Remedy	13
Out of Warranty Product	14
Warranty Exclusions	14
THERMADOR® Support	15
Service	15
Parts and Accessories	15

This THERMADOR Appliance is made by
 BSH Home Appliances Corporation
 1901 Main Street, Suite 600
 Irvine, CA 92614

Questions?
 1-800-735-4328
 www.thermador.com
We look forward to hearing from you!

Safety Definitions

WARNING

This indicates that death or serious injuries may occur as a result of non-observance of this warning.

CAUTION

This indicates that minor or moderate injuries may occur as a result of non-observance of this warning.

NOTICE: This indicates that damage to the appliance or property may occur as a result of non-compliance with this advisory.

Note: This alerts you to important information and/or tips.

IMPORTANT SAFETY INSTRUCTIONS

READ AND SAVE THESE INSTRUCTIONS

WARNING

When properly cared for, your new appliance has been designed to be safe and reliable. Read all instructions carefully before use. These precautions will reduce the risk of burns, electric shock, fire, and injury to persons. When using kitchen appliances, basic safety precautions must be followed, including those in the following pages.

Examine the appliance after unpacking it. In the event of transport damage, do not plug it in.

This appliance is not intended for operation with an external clock timer or a remote control.

This appliance is not intended for use by persons (including children) with reduced physical, sensory or mental capabilities, or lack of experience and knowledge, unless they have been given supervision or instruction concerning use of the appliance by a person responsible for their safety.

Fire Safety

Do not allow aluminum foil, plastic, paper or cloth to come in contact with a hot surface element, burner or grate. Do not allow pans to boil dry.

If the cooktop is near a window, forced air vent or fan, be certain that flammable materials such as window coverings do not blow over or near the burners or elements. They could catch on fire.

Always have a working smoke detector near the kitchen.

Never leave the cooktop unattended when in use. Boilovers cause smoking and greasy spillovers may ignite.

WARNING

TO REDUCE THE RISK OF A GREASE FIRE:

- a. Never leave surface units unattended at high settings. Boilovers cause smoking and greasy spillovers that may ignite. Heat oils slowly on low or medium settings.
- b. Always turn hood ON when cooking at high heat.
- c. Clean ventilating fans frequently. Grease should not be allowed to accumulate on fan or filter.
- d. Use proper pan size. Always use cookware appropriate for the size of the surface element.

Do not flambé under the extractor hood or work with a naked flame. When switched on, the extractor hood draws flames into the filter. There is a risk of fire due to deposits on the grease filter!

In the event that personal clothing or hair catches fire, drop and roll immediately to extinguish flames.

Have an appropriate fire extinguisher available, nearby, highly visible and easily accessible near the appliance.

Smother flames from food fires other than grease fires with baking soda. Never use water on cooking fires.

WARNING

TO REDUCE THE RISK OF INJURY TO PERSONS IN THE EVENT OF A GREASE FIRE, OBSERVE THE FOLLOWING:

- a. SMOTHER FLAMES with a close-fitting lid, cookie sheet, or metal tray, then turn off the burner. BE CAREFUL TO PREVENT BURNS. If the flames do not go out immediately, EVACUATE AND CALL THE FIRE DEPARTMENT.
 - b. NEVER PICK UP A FLAMING PAN – You may be burned.
 - c. DO NOT USE WATER, including wet dishcloths or towels – a violent steam explosion will result.
 - d. Use an extinguisher ONLY if:
 - You know you have a Class ABC extinguisher, and you already know how to operate it.
 - The fire is small and contained in the area where it started.
 - The fire department is being called.
 - You can fight the fire with your back to an exit.
-

Whenever possible, do not operate the ventilation system during a cooktop fire. However, do not reach through fire to turn it off.

Cooking Safety

WARNING

Use this appliance only for its intended use as described in this manual. NEVER use this appliance as a space heater to heat or warm the room. Doing so may result in overheating the appliance. Never use the appliance for storage.

Never use the appliance if liquids or foods have spilled around the control panel. Always turn off the cooktop and dry the control panel.

WARNING

Failure to operate knobs properly may result in personal injury and damage to the appliance.

If the cooktop turns off automatically and can no longer be operated, it may turn itself on unintentionally at a later point. Switch off the circuit breaker in the fuse box. Contact Customer Support for service.

WARNING

If the surface is cracked, switch off the appliance to avoid the possibility of electric shock.

IMPORTANT SAFETY INSTRUCTIONS

READ AND SAVE THESE INSTRUCTIONS

Burn Prevention

DO NOT TOUCH SURFACE UNITS OR AREAS NEAR UNITS - Surface units may be hot even though they are dark in color. Areas near surface units may become hot enough to cause burns. During and after use, do not touch, or let clothing, potholders, or other flammable materials contact surface units or areas near units until they have had sufficient time to cool. Among these areas are the cooktop and areas facing the cooktop.

Do not heat or warm unopened food containers. Build-up of pressure may cause the container to burst and cause injury.

Always use dry potholders. Moist or damp potholders on hot surfaces may result in burns from steam. Do not let potholder touch hot heating elements. Do not use a towel or other bulky cloth.

Use high heat settings on the cooktop only when necessary. To avoid bubbling and splattering, heat oil slowly, on no more than a low-medium setting. Hot oil is capable of causing extreme burns and injury.

Never move a pan of hot oil, especially a deep fat fryer. Wait until it is cool.

Secure all loose garments, etc., before beginning. Tie long hair so that it does not hang loose, and do not wear loose-fitting clothing or hanging garments, such as ties, scarves, jewelry, or dangling sleeves.

Child Safety

When children become old enough to use the appliance, it is the responsibility of the parents or legal guardians to ensure that they are instructed in safe practices by qualified persons.

Do not allow anyone to climb, stand, lean, sit, or hang on any part of an appliance, especially a door, warming drawer, or storage drawer. This can damage the appliance, and the unit may tip over, potentially causing severe injury.

Do not allow children to use this appliance unless closely supervised by an adult. Children and pets should not be left alone or unattended in the area where the appliance is in use. They should never be allowed to play in its vicinity, whether or not the appliance is in use.

CAUTION

Items of interest to children should not be stored in an appliance, in cabinets above an appliance or on the backsplash. Children climbing on an appliance to reach items could be seriously injured.

Cleaning Safety

Do not clean the appliance while it is still hot. Some cleaners produce noxious fumes when applied to a hot surface. Wet clothes and sponges can cause burns from steam.

Do not use steam cleaners to clean the appliance.

Cookware Safety

Hold the handle of the pan when stirring or turning food. This helps prevent spills and movement of the pan.

Use Proper Pan Size.

The use of undersized cookware will expose a portion of the heating element or burner to direct contact and may result in ignition of clothing. Select cookware having flat bottoms large enough to cover the surface heating unit. This appliance is equipped with one or more surface units of different sizes. Proper relationship of cookware to heating element or burner will also improve efficiency.

Cookware not approved for use with ceramic cooktops may break with sudden temperature changes. Use only pans that are appropriate for ceramic cooktops (only certain types of glass, heatproof glass, ceramic, earthenware, or other glazed utensils are suitable).

Always position handles of utensils inward so they do not extend over adjacent work areas, burners, or the edge of the cooktop. This reduces the risk of fires, spills and burns.

Always keep the cooktop and bases of pots dry. Liquid between the potbase and the cooktop may build up steam pressure, causing the pot to jump suddenly and causing injury.

Proper Installation and Maintenance

Have the installer show you the location of the circuit breaker or fuse. Mark it for easy reference.

This appliance must be properly installed and grounded by a qualified technician. Connect only to properly grounded outlet. Refer to Installation Instructions for details.

This appliance is intended for normal family household use only. It is not approved for outdoor use. See the Statement of Limited Product Warranty. If you have any questions, contact the manufacturer.

Do not store or use corrosive chemicals, vapors, flammables or nonfood products in or near this appliance. It is specifically designed for use when heating or cooking food. The use of corrosive chemicals in heating or cleaning will damage the appliance and could result in injury.

Do not operate this appliance if it is not working properly, or if it has been damaged. Contact an authorized servicer.

Do not cook on a broken cooktop. Cleaning solutions and spillovers may create a risk of electric shock.

Do not repair or replace any part of the appliance unless specifically recommended in this manual. Refer all servicing to a factory authorized service center.

To avoid electrical shock hazard, before servicing the appliance, switch power off at the service panel and lock the panel to prevent the power from being switched on accidentally.

IMPORTANT SAFETY INSTRUCTIONS

READ AND SAVE THESE INSTRUCTIONS

Proposition 65 Warning:

This product may contain a chemical known to the State of California, which can cause cancer or reproductive harm. Therefore, the packaging of your product may bear the following label as required by California:

STATE OF CALIFORNIA PROPOSITION 65 WARNING:

 **WARNING**

Cancer and Reproductive Harm - www.P65Warnings.ca.gov

Causes of damage

NOTICES

- **Scratches on glass ceramic surface:** Cookware with rough bottoms will scratch the glass ceramic surface.
- **Salt, sugar and sand:** Salt, sugar or grains of sand will scratch the glass ceramic surface. Never use the cooktop as a working surface or for setting things down.
- **Overheated cookware:** Avoid heating pots or pans that are empty.
- **Hot cookware:** Never set down hot pans and pots on the control panel or frame. This may cause damage.
- **Hard and sharp objects:** Hard or sharp objects falling on the cooktop may damage it.
- **Boiled-over food:** Sugar and products containing sugar may damage the cooktop. Immediately eliminate spills of these products with a glass scraper.
- **Foils and plastics:** Aluminum foil and plastic will melt on the hot cooking zones. Stove protective film isn't suitable for your cooktop.
- **Unsuitable cleaning agent:** Shimmering metallic discolorations on the glass ceramic surface result from the use of inappropriate cleaning agents and abrasion from cookware.

Protecting the Environment

Energy-saving advice

- Always place a fitting lid on cookware. Cooking with an uncovered pan will increase energy consumption considerably. Use a glass lid to provide visibility and avoid having to lift the lid.
- Use cookware equipped with a solid, flat bottom. Curved pan bases increase energy consumption.
- The diameter of the pan base must match the size of the element. If not, energy may be wasted.
- Choose cookware of a size suited to the amount of food you are going to cook. A large pan that is only half full will use a lot of energy.
- Use a small amount of water when cooking. This saves energy, and vegetables retain a larger percentage of their vitamins and minerals.
- Switch to a lower heat setting in time.
- Select a suitable setting for ongoing cooking. You will waste energy by using an ongoing cooking setting which is too high.
- Use the residual heat of the cooktop. For longer cooking times, you can switch the element off 5-10 minutes before the end of the cooking time.

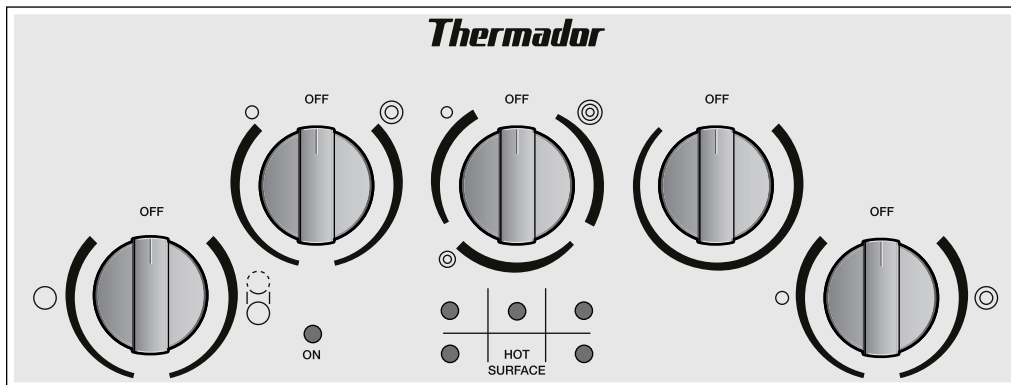
Getting familiar with the appliance

In this section we describe the control panel, elements and displays.

These instructions apply to more than one cooktop, your appliance might vary slightly.

Page 2 contains a list of models and dimensions.

Control Panel



Knob positions

Off	Cooking element turned off.
Circle Segments	Heat levels can be set continuously: <ul style="list-style-type: none"> • Lowest setting = thin end of circle segment • Highest setting = thick end of circle segment

Light Indicators

○	Cooktop is turned on
On	
○/○/○/○	Cooking element is turned on
○/○/○/○	Surface is hot

NOTICE: Always keep the control knobs clean and dry. Moisture and dirt can affect proper functioning.

Heating elements

Element	Turning on and off
○ Single element	Single elements have only one size cooking surface. Always use cookware of a suitable size.
The size of these elements can be matched to your pan size:	
◎ Dual element	<ul style="list-style-type: none"> • Use only inner heating ring: Turn knob along the left segment marked with ○. • Add outer heating ring: Turn knob along the right segment marked with ◎.
◎ Triple element	<ul style="list-style-type: none"> • Use only inner heating ring: Turn knob along the left segment marked with ○. • Add middle heating ring: Turn knob to the middle segment marked with ◎. • Add outer heating ring: Turn knob along the right segment marked with ◎.
○/○ Bridge element	<p>The bridge element combines the front and rear heating elements at the left side into one long griddle zone. This configuration is ideal for griddles and large pans.</p> <ul style="list-style-type: none"> • Use as individual elements: Turn the knob of the front left element along the left segment marked with ○. • Use as Bridge zone: Use the front element and the middle bridge element to create an oblong element. Turn the knob of the front left element along the bridge segment marked with ○/○. Turn the knob of the rear left element to OFF. • Use as Bridge element: Turn the knob of the front left element along the bridge segment marked with ○/○. Turn the knob of the rear left element along the right segment marked with ◎. <ul style="list-style-type: none"> • Turn both knobs to approximately the same position of the respective segments to achieve even heating. • Set the knobs to different heat levels to create different heat zones in your pan, e.g. for searing and stewing.

Operation

Setting the cooktop

This section will show you how to set the elements. The table contains details on the heat settings for a variety of dishes.

▲ WARNING

Failure to operate knobs properly may result in personal injury and damage to the appliance.

Settings table

The following table provides some examples. Cooking times may vary depending on the type of food, its weight and quality. Deviations are therefore possible.

Set the element to heat setting 9 for bringing to the boil or initial frying, then switch back to appropriate setting (not for melting).

Stir thick liquids occasionally. Food that needs to be seared quickly or food which loses a lot of liquid during initial frying is best seared in several small portions. Tips

Setting the element

Select the desired heat level turning the corresponding knob.

The heat level can be adjusted along the circle segments around each knob.

- Thin end of circle segment = minimum heat level
- Thick end of circle segment = maximum heat level

When the element turns on, the power-on indicator lights up.

Turning off

Turn the control knob to **OFF**. When all control knobs are in the **OFF** position, the cooktop is turned off.

Note: The heat is turned on and off to regulate the temperature of the element; this means that the red glow below the element is not always visible. When you select a low heat setting, the element turns off for longer intervals, while at a higher setting these intervals are very short. Even at the highest level, the element turns on and off.

for energy-saving cooking can be found in section → "*Protecting the Environment*".

▲ CAUTION

During cooking, stews or liquid meals such as soups, sauces or drinks can heat up too quickly unnoticed and overflow or spatter. For this reason we recommend that you stir continuously, gradually heating the food at a suitable power level.

	Power level/Knob position
Melting	
chocolate	Min.
butter	Min.
Heating	
frozen vegetables (e.g. spinach)	Min. to Med.-Min.
broth	Med. to Med.-Max.
thick soup	Min.
milk**	Min.
Simmering	
delicate sauce e.g. Béchamel sauce**	Med.-Min. to Med.
spaghetti sauce	Min. to Med.-Min.
pot roast	Med.-Min. to Med.
fish*	Med.-Min. to Med.
Cooking	
rice (with double amount of water)	Med.-Min.
potatoes boiled in their skins with 1-2 cups of water	Med.-Min. to Med.
boiled potatoes with 1-2 cups of water	Med.-Min. to Med.
fresh vegetables with 1-2 cups of water	Med.-Min. to Med.

	Power level/Knob position
frozen vegetables with 1-2 cups of water	Med.-Min. to Med.
pasta (2-4 qt. water)*	Med.-Min. to Med.
pudding**	Min.
cereals	Med.-Min.
Frying	
pork chop	Med.
chicken breast	Med.-Min. to Med.
bacon	Med.
eggs	Med.-Min. to Med.
fish	Med.-Min. to Med.
pancakes	Med.
Deep fat frying** (in 1-2 qt. oil)**	
deepfrozen foods, e.g. chicken nuggets (0.5 lb per serving)	Med.-Max. to Max.
other e.g. doughnuts (0.5 lb per serving)	Med.
* ongoing cooking without lid	
** without lid	

Cleaning and Maintenance

Daily Cleaning

Note: Recommended cleaners indicate a type of cleaner and do not constitute an endorsement of a specific brand.

Glass ceramic cooktop

▲ CAUTION

Do not use any kind of cleaner on the glass while the surface is hot; use only the razor blade scraper. The resulting fumes can be hazardous to your health. Heating the cleaner can chemically attack and damage the surface.

Clean the surface when it is completely cool, with the following exception: remove dry sugar, sugar syrup, tomato products and milk immediately with the razor blade scraper (see cleaning chart).

Wipe off spatters with a clean, damp sponge or a paper towel. Rinse and dry. Use white vinegar if smudge remains; rinse.

Apply a small amount of the glass ceramic cooktop cleaner. When dry, buff surface with a clean paper towel or cloth.

Stainless steel side trim

Wipe with the grain when cleaning. For moderate/heavy soil, use BonAmi® or Soft Scrub® (no bleach).

Wipe using a damp sponge or cloth, rinse and dry.

Cleaning guidelines

When using a cleaner, use only a small amount; apply to a clean paper towel or cloth. Wipe on the surface and buff with a clean dry towel.

For best results, use cleaners such as glass ceramic cooktop cleaner, BonAmi®, Soft Scrub® (without bleach), and white vinegar.

Avoid these cleaners

- Glass cleaners which contain ammonia or chlorine bleach. These ingredients may damage or permanently stain the cooktop.
- Caustic cleaners - cleaners such as Easy Off® may stain the cooktop surface.
- Abrasive cleaners.
- Metal scouring pads and scrub sponges such as Scotch Brite® can scratch and/or leave metal marks.
- Soap-filled scouring pads such as SOS® can scratch the surface.
- Powdery cleaners containing chlorine bleach can permanently stain the cooktop.
- Flammable cleaners such as lighter fluid or WD-40.

Cleaning chart

Type of Soil	Possible Solution
Dry sugar, sugar syrup, milk or tomato spills. Melted plastic film or foil. All these items REQUIRE IMMEDIATE REMOVAL. Failure to remove these immediately can permanently damage the surface.	Remove these types of spills while the surface is hot using the razor blade scraper. Use a new, sharp razor in the scraper. Remove pan and turn off the element. Wearing an oven mitt, hold scraper at 30° angle, using care not to gouge or scratch the glass. Push soil off the heated area. After the surface has cooled, remove the residue and apply the glass ceramic cooktop cleaner. ▲ WARNING RISK OF INJURY The blade is extremely sharp. Risk of cuts. Protect the blade when not in use. Replace the blade immediately when any imperfections are found. Follow manufacturer's instructions.
Burned-on food soil, dark streaks, and specks	Soften by laying a damp paper towel or sponge on top of soil for 30 minutes. Use a plastic scrubber and glass ceramic cooktop cleaner or use the razor blade scraper. Rinse and dry.
Greasy spatters	Use a soapy sponge or cloth to remove grease; rinse thoroughly and dry. Apply glass ceramic cooktop cleaner.
Metal marks: Iridescent stain	Pans with aluminum, copper or stainless steel bases may leave marks. Treat immediately after surface has cooled with glass ceramic cooktop cleaner. If this does not remove the marks, try a mild abrasive (Bon Ami®, Soft Scrub® without bleach) with a damp paper towel. Rinse and reapply glass ceramic cooktop cleaner. Failure to remove metal marks before the next heating makes removal very difficult.
Hard water spots: Hot cooking liquids dripped on surface	Minerals in some water can be transferred onto the surface and cause stains. Use undiluted white vinegar, rinse and dry. Recondition with glass ceramic cooktop cleaner. Remove boilovers and stains before using the cooktop again.
Surface scratches: Small scratches are common and do not affect cooking. They become smoother and less noticeable with daily use of the glass ceramic cooktop cleaner.	Apply glass ceramic cooktop cleaner before using to remove sand-like grains and grit such as salt and seasoning. Scratches can be reduced by using pans with bases that are smooth, clean, and dry before use. Use recommended glass ceramic cooktop cleaner daily. NOTICE: Diamond rings may scratch the surface.

Maintenance

This appliance requires no maintenance other than daily cleaning. For best results, apply cooktop cleaning cream daily.


Service

How to Obtain Warranty Service

To obtain warranty service for your Product, you should contact the nearest THERMADOR® authorized servicer.

E number and FD number:

When you contact Service, please have the Model (E) number and the FD number for your appliance available. You can find the identification plate with these numbers on the underside of the appliance and in the appliance pass. To avoid having to search for this information when you need it, you can enter your appliance data and the customer support telephone number here.

E-Nr.	FD-Nr.
Customer Service 	

Questions? Please contact us. We look forward to hearing from you!

<p>1-800-735-4328 www.thermador.com 1901 Main Street, Suite 600 Irvine, CA 92614</p>
--

STATEMENT OF LIMITED PRODUCT WARRANTY

What this Warranty Covers & Who it Applies to

The limited warranty provided by BSH Home Appliances Corporation (“BSH”) in this Statement of Limited Product Warranty applies only to the THERMADOR® appliance (“Product”) sold to you, the first using purchaser, provided that the Product was purchased:

- For your normal, household (non-commercial) use, and has in fact at all times only been used for normal household purposes.
- New at retail (not a display, "as is", or previously returned model), and not for resale, or commercial use.
- Within the United States or Canada, and has at all times remained within the country of original purchase.

The warranties stated herein apply to the original purchaser of the product warranted herein and to each succeeding owner of the product purchased for ordinary home use during the term of the warranty.

Please make sure to return your registration card; while not necessary to effectuate warranty coverage, it is the best way for BSH to notify you in the unlikely event of a safety notice or product recall.

How Long the Warranty Lasts

BSH warrants that the Product is free from defects in materials and workmanship for a period of seven hundred and thirty (730) days from the date of purchase. The foregoing timeline begins to run upon the date of purchase, and shall not be stalled, tolled, extended, or suspended, for any reason whatsoever.

This Product is also warranted to be free from *cosmetic* defects in material and workmanship (such as scratches of stainless steel, paint/porcelain blemishes, chip, dents, or other damage to the finish of the Product), for a period of sixty (60) days from the date of purchase or closing date for new construction. This *cosmetic* warranty excludes slight color variations due to inherent differences in painted and porcelain parts, as well as differences caused by kitchen lighting, product location, or other similar factors. This *cosmetic* warranty specifically excludes any display, floor, “As Is”, or “B” stock appliances.

Repair/Replace as Your Exclusive Remedy

During this warranty period, BSH or one of its authorized service providers will repair your Product without charge to you (subject to certain limitations stated herein) if your Product proves to have been manufactured with a defect in materials or workmanship. If reasonable attempts to repair the Product have been made without success, then BSH will replace your Product (upgraded models may be available to you, in BSH’s sole discretion, for an additional charge). All removed parts and components shall become the property of BSH at its sole option. All replaced and/or repaired parts shall assume the identity of the original part for purposes of this warranty and this warranty shall not be extended with respect to such parts. BSH's sole liability and responsibility hereunder is to repair manufacturer-defective Product only, using a BSH-authorized service provider during normal business hours. For safety and property damage concerns, BSH highly recommends that you do not attempt to repair the Product yourself, or use an un-authorized servicer; BSH will have no responsibility or liability for repairs or work

performed by a non-authorized servicer. If you choose to have someone other than an authorized service provider work on your Product, THIS WARRANTY WILL AUTOMATICALLY BECOME NULL AND VOID. Authorized service providers are those persons or companies that have been specially trained on BSH products, and who possess, in BSH's opinion, a superior reputation for customer service and technical ability (note that they are independent entities and are not agents, partners, affiliates or representatives of BSH). Notwithstanding the foregoing, BSH will not incur any liability, or have responsibility, for the Product if it is located in a remote area (more than 100 miles from an authorized service provider) or is reasonably inaccessible, hazardous, threatening, or treacherous locale, surroundings, or environment; in any such event, if you request, BSH would still pay for labor and parts and ship the parts to the nearest authorized service provider, but you would still be fully liable and responsible for any travel time or other special charges by the service company, assuming they agree to make the service call.

Out of Warranty Product

BSH is under no obligation, at law or otherwise, to provide you with any concessions, including repairs, pro-rates, or Product replacement, once this warranty has expired.

Warranty Exclusions

The warranty coverage described herein excludes all defects or damage that are not the direct fault of BSH, including without limitation, one or more of the following:

- Use of the Product in anything other than its normal, customary and intended manner (including without limitation, any form of commercial use, use or storage of an indoor product outdoors, use of the Product in conjunction with air or water-going vessels).
- Any party's willful misconduct, negligence, misuse, abuse, accidents, neglect, improper operation, failure to maintain, improper or negligent installation, tampering, failure to follow operating instructions, mishandling, unauthorized service (including self-performed "fixing" or exploration of the appliance's internal workings).
- Adjustment, alteration or modification of any kind.
- A failure to comply with any applicable state, local, city, or county electrical, plumbing and/or building codes, regulations, or laws, including failure to install the product in strict conformity with local fire and building codes and regulations.
- Ordinary wear and tear, spills of food, liquid, grease accumulations, or other substances that accumulate on, in, or around the Product.
- Any external, elemental and/or environmental forces and factors, including without limitation, rain, wind, sand, floods, fires, mud slides, freezing temperatures, excessive moisture or extended exposure to humidity, lightning, power surges, structural failures surrounding the appliance, and acts of God.

In no event shall BSH have any liability or responsibility whatsoever for damage to surrounding property, including cabinetry, floors, ceilings, and other structures

or objects around the Product. Also excluded from this warranty are Products on which the serial numbers have been altered, defaced, or removed; service visits to teach you how to use the Product, or visits where there is nothing wrong with the Product; correction of installation problems (you are solely responsible for any structure and setting for the Product, including all electrical, plumbing or other connecting facilities, for proper foundation/flooring, and for any alterations including without limitation cabinetry, walls, floors, shelving, etc.); and resetting of breakers or fuses.

TO THE EXTENT ALLOWED BY LAW, THIS WARRANTY SETS OUT YOUR EXCLUSIVE REMEDIES WITH RESPECT TO PRODUCT, WHETHER THE CLAIM ARISES IN CONTRACT OR TORT (INCLUDING STRICT LIABILITY, OR NEGLIGENCE) OR OTHERWISE. THIS WARRANTY IS IN LIEU OF ALL OTHER WARRANTIES, WHETHER EXPRESS OR IMPLIED. ANY WARRANTY IMPLIED BY LAW, WHETHER FOR MERCHANTABILITY OR FITNESS FOR A PARTICULAR PURPOSE, OR OTHERWISE, SHALL BE EFFECTIVE ONLY FOR THE PERIOD THAT THIS EXPRESS LIMITED WARRANTY IS EFFECTIVE. IN NO EVENT WILL THE MANUFACTURER BE LIABLE FOR CONSEQUENTIAL, SPECIAL, INCIDENTAL, INDIRECT, "BUSINESS LOSS", AND/OR PUNITIVE DAMAGES, LOSSES, OR EXPENSES, INCLUDING WITHOUT LIMITATION TIME AWAY FROM WORK, HOTELS AND/OR RESTAURANT MEALS, REMODELLING EXPENSES IN EXCESS OF DIRECT DAMAGES WHICH ARE DEFINITELY CAUSED EXCLUSIVELY BY BSH, OR OTHERWISE. SOME STATES DO NOT ALLOW THE EXCLUSION OR LIMITATION OF INCIDENTAL OR CONSEQUENTIAL DAMAGES, AND SOME STATES DO NOT ALLOW LIMITATIONS ON HOW LONG AN IMPLIED WARRANTY LASTS, SO THE ABOVE LIMITATIONS MAY NOT APPLY TO YOU. THIS WARRANTY GIVES YOU SPECIFIC LEGAL RIGHTS, AND YOU MAY ALSO HAVE OTHER RIGHTS WHICH VARY FROM STATE TO STATE.

No attempt to alter, modify or amend this warranty shall be effective unless authorized in writing by an officer of BSH.

THERMADOR® Support

Service

We realize that you have made a considerable investment in your kitchen. We are dedicated to supporting you and your appliance so that you have many years of creative cooking.

Please do not hesitate to contact our STAR® Customer Support Department if you have any questions or in the unlikely event that your THERMADOR® appliance needs service. Our service team is ready to assist you.

USA

800-735-4328

www.thermador.com/support

Canada

800-735-4328

www.thermador.ca

Parts and Accessories

Parts, filters, descalers, stainless steel cleaners and more can be purchased in the THERMADOR® eShop or by phone.

USA

<http://store.thermador.com/us>

Canada

- If you live in any of the Atlantic provinces, Ontario, or Québec contact:

Marcone

1.800.287.1627

- If you live in any of the Territories, Manitoba, Saskatchewan, Alberta, or British Columbia contact:

Reliable Parts

1.800.663.6060

Table de MATIÈRES

▲ Définitions de sécurité	17
CONSIGNES DE SÉCURITÉ IMPORTANTES	18
Sécurité-incendie	18
Sécurité de cuisson	19
Prévention des brûlures	19
Sécurité des enfants	19
Consignes en matière de nettoyage	19
Sécurité pour la batterie de cuisine	19
Installation et entretien corrects	20
Avertissement issu de la proposition 65	20
Éléments qui peuvent endommager l'appareil	21
Protection de l'Environnement	21
Conseils pour économiser l'énergie	21
Faire connaissance avec l'appareil	22
Panneau de commande	22
Éléments chauffants	22
Fonctionnement	23
Allumage de la table de cuisson	23
Nettoyage et Entretien	25
Nettoyage quotidien	25
Instructions de nettoyage	25
Tableau de nettoyage	26
Entretien	26
Entretien	27
Comment bénéficier du service de garantie	27
ÉNONCÉ DE LA GARANTIE LIMITÉE	27
Couverture de la garantie :	27
Durée de la garantie	27
Réparation ou remplacement comme solution exclusive	27
Produit hors garantie	28
Exclusions à la garantie	28
Soutien THERMADOR®	29
Dépannage	29
Pièces et accessoires	29

*Cet appareil électroménager
de THERMADOR*

est fait par BSH Home Appliances Ltd.
6696 Financial Drive, Unit 3
Mississauga, ON L5N 7J6

Question ?

1-800-735-4328

www.thermador.ca

Nous attendons de vos nouvelles.

Définitions de sécurité

AVERTISSEMENT

Ceci indique que le non-respect de cet avertissement peut entraîner des blessures graves, voire la mort.

ATTENTION

Ceci indique que le non-respect de cet avertissement peut entraîner des blessures légères ou de gravité moyenne.

AVIS : Ceci indique que la non-conformité à cet avis de sécurité peut entraîner des dégâts matériels ou endommager l'appareil.

Remarque : Ceci vous signale des informations et/ou indications importantes.

CONSIGNES DE SÉCURITÉ IMPORTANTES

LIRE ET CONSERVER CES INSTRUCTIONS

AVERTISSEMENT

Votre nouvel appareil a été conçu pour un fonctionnement sûr et fiable si vous en prenez bien soin. Lire attentivement toutes les consignes avant l'emploi. Ces précautions réduiront les risques de brûlures, de choc électrique, d'incendie et de lésions corporelles. Lors de l'utilisation d'un appareil électroménager, quelques précautions de sécurité élémentaires doivent être observées, y compris celles qui figurent aux pages suivantes.

Contrôler l'appareil après l'avoir déballé. Si l'appareil a été endommagé durant le transport, ne pas le brancher. Cet appareil n'est pas destiné à être utilisé avec un programmateur externe ou une télécommande. Cet appareil n'est pas destiné à être utilisé par des personnes (y compris des enfants) présentant des capacités physiques, sensorielles ou mentales réduites, à moins qu'elles n'aient été informées de la manière d'utiliser l'appareil par une personne responsable de leur sécurité.

Sécurité-incendie

Ne laissez pas le papier d'aluminium, le plastique, le papier ou les tissus entrer en contact avec un élément de surface, une grille ou un brûleur chaud. Ne laissez pas les casseroles chauffer à sec.

Si la table de cuisson est près d'une fenêtre, d'un évent à air forcé ou d'un ventilateur, s'assurer que les matériaux inflammables tels les tentures/rideaux ne flottent pas au-dessus ou près des brûleurs ou éléments. Ils risqueraient de s'enflammer.

Toujours avoir un détecteur de fumée en état de marche près de la cuisine.

Ne laissez jamais la table de cuisson sans surveillance lorsqu'elle est en utilisation. Des débordements causant de la fumée et des déversements graisseux peuvent prendre feu.

AVERTISSEMENT

POUR RÉDUIRE LES RISQUES DE FEUX DE GRAISSE :

- Ne laissez jamais la surface de cuisson sans surveillance à des températures élevées. Les débordements causent de la fumée et les résidus graisseux peuvent s'enflammer. Faites chauffer les huiles lentement à feu doux ou moyen.
- Faites toujours fonctionner la hotte lorsque vous cuisinez à feu vif.
- Nettoyez les ventilateurs régulièrement. Ne laissez pas la graisse s'accumuler sur le ventilateur ou sur le filtre.
- Utilisez des casseroles de taille appropriée. Utilisez toujours des récipients adaptés à la taille de la surface de cuisson.

Ne flambez jamais sous la hotte aspirante et ne travaillez jamais avec une flamme nue. Une hotte aspirante en marche aspire les flammes dans le filtre. Une hotte aspirante en marche aspire les flammes dans le filtre. Ne flambez jamais sous la hotte aspirante et ne travaillez jamais avec une flamme nue. Une hotte aspirante en marche aspire les flammes dans le filtre. Les dépôts de graisse sur les filtre risquent alors de s'enflammer!

Si des vêtements s'enflamment, rouler par terre immédiatement pour éteindre les flammes.

Veillez à avoir à portée de main un extincteur d'incendie en bon état de marche, placé visiblement près de l'appareil et facile d'accès.

Étouffez les flammes d'un feu d'aliments autre qu'un feu de graisse à l'aide de bicarbonate de soude. Ne jamais utiliser d'eau sur les feux de cuisson.

AVERTISSEMENT

POUR RÉDUIRE LE RISQUE DE LÉSIONS CORPORELLES DANS L'ÉVENTUALITÉ D'UN FEU DE GRAISSE, OBSERVER LES CONSIGNES SUIVANTES :

- ÉTOUFFER LES FLAMMES à l'aide d'un couvercle bien hermétique, d'une tôle à biscuits ou d'un plateau en métal, puis éteindre l'appareil. FAIRE ATTENTION À NE PAS SE BRÛLER. Si les flammes ne s'éteignent pas immédiatement, ÉVACUER LES LIEUX ET FAIRE APPEL AU SERVICE D'INCENDIE.
 - NE JAMAIS SAISIR UN RÉCIPIENT QUI BRÛLE. Vous pourriez vous brûler.
 - NE PAS UTILISER D'EAU, y compris les chiffons ou serviettes mouillées. Une violente explosion de vapeur risque de se produire.
 - Utiliser un extincteur uniquement si :
 - Vous savez que vous possédez un extincteur de CLASSE ABC, et vous en connaissez déjà le maniement.
 - L'incendie est de petite ampleur et contenu dans la zone où il s'est déclaré.
 - Le service d'incendie est appelé.
 - On peut combattre l'incendie le dos tourné vers la sortie.
-

Dans la mesure du possible, ne pas faire fonctionner le système de ventilation lorsqu'un feu se déclenche sur une table de cuisson. Toutefois, ne pas passer la main à travers le feu pour mettre le système de ventilation hors tension.

CONSIGNES DE SÉCURITÉ IMPORTANTES

LIRE ET CONSERVER CES INSTRUCTIONS

Sécurité de cuisson

AVERTISSEMENT

Utiliser cet appareil uniquement dans le cadre de l'utilisation prévue tel que décrit dans ce manuel. NE JAMAIS utiliser pour chauffer ou réchauffer une pièce. Ceci pourrait faire surchauffer l'appareil. L'appareil ne doit jamais servir à entreposer quoi que ce soit.

Ne jamais utiliser l'appareil en cas de projections de liquides ou d'aliments autour du panneau de commande. Toujours éteindre la plaque de cuisson et sécher le panneau de commande.

AVERTISSEMENT

Le non respect du mode de fonctionnement des boutons peut entraîner des lésions corporelles ou des dommages à l'appareil.

Si la plaque s'éteint automatiquement et ne peut être utilisée pendant un certain temps, il est possible qu'elle se rallume plus tard par inadvertance. Pour éviter que cela ne se produise, débrancher le coupe-circuit du disjoncteur automatique. Contacter un technicien agréé.

AVERTISSEMENT

Si la surface est fissurée, éteignez l'appareil pour éviter la possibilité d'électrocution.

Prévention des brûlures

NE PAS TOUCHER AUX ÉLÉMENTS DE SURFACE NI AUX ZONES PRÈS DES ÉLÉMENTS. Les unités de surface peuvent être chaudes même lorsqu'elles sont de couleur foncée. Les zones près des unités de surface peuvent devenir suffisamment chaudes pour causer des brûlures. Pendant et après l'utilisation, ne pas toucher, ni laisser vêtements, poignées isolantes ou autres matériaux inflammables entrer en contact avec les éléments de surface ni aux zones près des éléments tant qu'ils n'ont pas refroidi. Citons notamment la table de cuisson et les surfaces situées près de celle-ci.

Ne pas chauffer ou réchauffer des contenants d'aliments non ouverts. L'accumulation de pression peut faire exploser le contenant et provoquer des blessures.

Toujours utiliser des poignées isolantes sèches. Des poignées mouillées ou humides entrant en contact avec les surfaces chaudes peuvent provoquer des blessures par dégagement de vapeur. Ne laissez pas les poignées toucher les éléments chauffants chauds. Ne pas utiliser de serviette ni de chiffon volumineux.

Utiliser les réglages élevés seulement lorsque nécessaire. Pour éviter bulles et éclaboussures, chauffer l'huile lentement à réglage faible ou moyen. L'huile chaude peut causer des brûlures et blessures extrêmement graves.

Ne déplacez jamais une poêle contenant de l'huile chaude, en particulier une bassine à friture. Attendez qu'elle se soit refroidie.

Attacher les vêtements lâches, etc. avant de commencer. Attacher les cheveux longs de façon à ce qu'ils ne pendent pas et ne pas porter de vêtements lâches ou d'habits ou objets qui pendillent, tels que cravates, foulards, bijoux ou manches.

Sécurité des enfants

Lorsque les enfants sont assez âgés pour utiliser l'appareil, il incombe aux parents ou tuteurs légaux de veiller à ce qu'ils soient formés aux pratiques sécuritaires par des personnes qualifiées.

Ne permettre à personne de grimper, rester debout, s'appuyer, s'asseoir ou se pencher sur toute partie d'un appareil, notamment une porte, un tiroir-réchaud ou un tiroir de rangement. Ceci peut endommager l'appareil qui risque de basculer et causer des blessures sérieuses.

Ne pas permettre aux enfants d'utiliser cet appareil sauf sous la surveillance attentive d'un adulte. Ne pas laisser les enfants et les animaux seuls ou sans surveillance lorsque l'appareil est en service. Ne jamais les laisser jouer aux alentours de l'appareil, que ce dernier soit en service ou non.

ATTENTION

Les articles d'intérêt pour les enfants ne doivent pas être rangés dans un appareil électroménager, dans les armoires au-dessus de l'appareil ou sur le dossier. Les enfants peuvent grimper sur l'appareil pour atteindre ces objets et se blesser sérieusement.

Consignes en matière de nettoyage

Ne nettoyez pas l'appareil pendant qu'il est encore chaud. Certains produits nettoyants produisent des vapeurs nocives lorsqu'ils sont appliqués sur une surface chaude. Chiffons ou éponges humides peuvent causer des brûlures par dégagement de vapeur.

Ne pas utiliser de nettoyeur à vapeur pour nettoyer l'appareil.

Sécurité pour la batterie de cuisine

Tenir la poignée de la casserole en brassant ou tournant les aliments. Ceci l'empêche de bouger et évite les déversements.

Utiliser des casseroles de taille adéquate. L'utilisation de casseroles trop petites aura pour effet d'exposer une partie de l'élément chauffant ou du brûleur pouvant présenter un risque de contact direct et d'incendie de vêtements. Sélectionner des ustensiles à fond plat, suffisamment larges pour couvrir l'élément chauffant. Cet appareil est doté de surfaces de différents formats. Un bon rapport ustensile/élément chauffant ou brûleur permet également d'améliorer le fonctionnement de l'appareil.

CONSIGNES DE SÉCURITÉ IMPORTANTES

LIRE ET CONSERVER CES INSTRUCTIONS

Les ustensiles de cuisson non approuvés pour l'utilisation avec les tables de cuisson en céramique peuvent se briser lors d'un changement soudain de température. Utiliser uniquement des casseroles qui sont approuvés pour l'utilisation avec les tables de cuisson en céramique (seuls certains types de verre, la céramique vitrifiée à l'épreuve de la chaleur et la faïence peuvent être utilisés).

Tourner toujours les poignées an qu'elles ne passent pas au-dessus des zones adjacentes de cuisson ou du bord de l'appareil. Ceci aide à diminuer le risque d' ignition de matériaux inammables, de déversements et de brûlures.

Tenir toujours sec la table de cuisson et le dessous des casseroles. Du liquide entre le dessous d'une casserole et la table de cuisson peut générer de la vapeur et la casserole risque de bondir soudain ce qui pourrait provoquer des blessures.

Installation et entretien corrects

Demandez à l'installateur de vous montrer où se trouve le disjoncteur ou le fusible. Identifier sa position pour pouvoir le retrouver facilement.

Cet appareil doit être adéquatement installé et mis à la terre par un technicien agréé. Branchez l'appareil uniquement dans une prise correctement reliée à la terre. Pour plus de détails, reportez-vous à la notice d'installation.

Cet appareil est destiné uniquement à une utilisation domestique normale. Il n'est pas homologué pour un usage en extérieur. Voyez la Énoncé de la Garantie Limitée. Si vous avez des questions, communiquez avec le fabricant.

Ne pas entreposer ni utiliser de produits chimiques corrosifs, vapeurs, substances inflammables ou produits non alimentaires à l'intérieur ou à proximité de l'appareil. Il a été spécialement conçu pour être utilisé pendant le chauffage et la cuisson des aliments. L'emploi de produits chimiques corrosifs pour chauffer ou nettoyer l'appareil endommagera ce dernier et peut provoquer des blessures.

Ne pas se servir de cet appareil s'il ne fonctionne pas correctement ou s'il est endommagé. Communiquer avec un réparateur autorisé.

Ne cuisinez pas sur une table de cuisson brisée. Les solutions de nettoyage et les déversements peuvent créer des risques de choc électrique.

Ne pas réparer ni remplacer toute pièce de l'appareil à moins que cela ne soit spécifiquement recommandé par ce manuel. Toute réparation doit être effectuée par un centre de réparation autorisé par l'usine.

Pour éviter les risques d'électrocution, avant de réparer l'appareil, mettre l'alimentation hors circuit au niveau du panneau de service et le verrouiller pour éviter tout mise en circuit accidentelle.

Avertissement issu de la proposition 65 :

Ce produit pourrait contenir un produit chimique reconnu par l'État de la Californie comme cancérigène ou ayant des effets nocifs sur la reproduction. Par conséquent, l'emballage de votre produit pourrait porter l'étiquette suivante, comme requis par la Californie :

AVERTISSEMENT ISSU DE LA PROPOSITION 65 DE L'ÉTAT DE LA CALIFORNIE :

 **AVERTISSEMENT**

Cancer et dommages à la reproduction -
www.P65Warnings.ca.gov

Éléments qui peuvent endommager l'appareil

AVIS

- **Égratignures sur les surfaces en céramique** : les dessous rugueux des ustensiles de cuisine peuvent endommager la céramique.
- **Sel, sucre et sable** : le sel, le sucre et le sable peuvent égratigner la céramique. N'utilisez jamais la table de cuisson comme surface de travail ou comme endroit pour déposer des objets.
- **Ustensiles de cuisine surchauffés** : évitez de faire chauffer des ustensiles vides.
- **Ustensiles de cuisine chauds** : placez les casseroles et les chaudrons chauds sur la zone d'opération ou sur les rebords. Cela peut causer des dommages.
- **Objets durs ou coupants** : des objets durs ou coupants qui tombent sur la plaque chauffante peuvent l'endommager.
- **Plats qui débordent** : du sucre ou des produits sucrés peuvent endommager la plaque chauffante. Enlevez immédiatement ces produits avec un grattoir en verre.
- **Aluminium et plastique** : le papier d'aluminium et les plats en plastiques vont fondre sur des plaques chauffantes en fonction. Le papier protecteur pour les fours ne convient pas à votre table de cuisson.
- **Nettoyants non appropriés** : une décoloration métallique et chatoyante de la céramique peut être causée par l'utilisation de nettoyants non appropriés ou de l'abrasion des ustensiles de cuisine.

Protection de l'Environnement

Conseils pour économiser l'énergie

- Placez toujours un couvercle adéquat sur les ustensiles de cuisine. La cuisson avec des ustensiles non recouverts augmente considérablement la consommation d'énergie. Utilisez un couvercle en verre pour maximiser la visibilité sans devoir soulever le couvercle.
- Utilisez des ustensiles de cuisine avec un fond solide et plat. Les bases courbes augmentent la consommation d'énergie.
- Le diamètre du fond de la casserole doit correspondre à la taille de l'élément. Sinon, vous pourriez gaspiller de l'énergie.
- Choisissez des ustensiles de cuisine d'un format approprié pour la quantité de nourriture à faire cuire. Une casserole à moitié pleine utilisera beaucoup d'énergie.
- Utilisez une petite quantité d'eau pour cuisiner. Vous pourrez ainsi économiser de l'énergie, tout en permettant aux légumes de conserver une plus grande part de leurs vitamines et minéraux.
- Passez à un niveau de chaleur moins élevé à un moment approprié.
- Choisissez un réglage qui convient à la cuisson continue. Vous gaspillerez de l'énergie en choisissant un réglage de cuisson trop élevé pour la cuisson continue.
- Utilisez la chaleur résiduelle de la table de cuisson. Pour des temps de cuisson plus longs, vous pouvez éteindre l'élément de 5 à 10 minutes avec la fin du temps de cuisson.

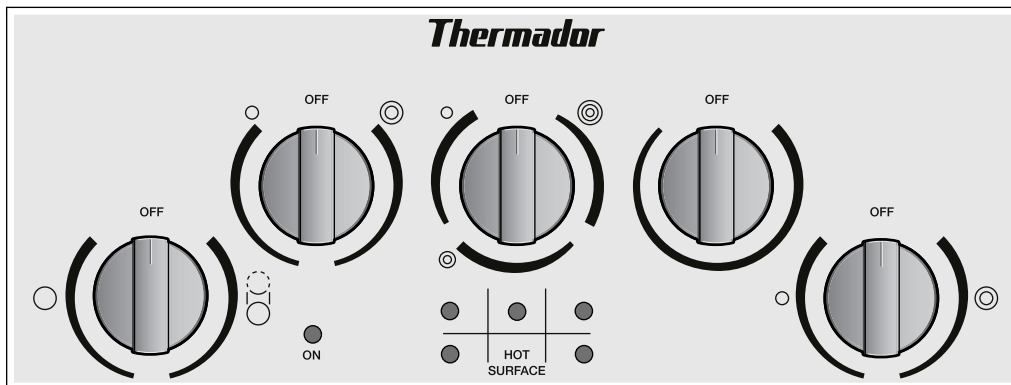
Faire connaissance avec l'appareil

Cette section décrit le panneau des touches, les éléments chauffants et les affichages.

Ces instructions s'appliquent à diverses tables de cuisson.

Voir la page 2 pour une liste des modèles et leurs dimensions.

Panneau de commande



Positions des boutons

Off (Désactivé) Élément de cuisson désactivé.

Segments circulaires Les niveaux de chaleur peuvent être réglés en continu :

- Réglage le plus faible = extrémité mince du segment circulaire
- Réglage le plus élevé = extrémité épaisse du segment circulaire

Indicateurs lumineux

○ La table de cuisson est allumée

On (Activé)

○/○/○/○ L'élément de cuisson est désactivé

○/○/○/○ La surface est chaude

AVIS : Garder toujours les boutons de contrôle propres et sèches. L'humidité et la saleté nuisent à leurs performances.

Éléments chauffants



Élément Allumer et éteindre

○ Élément simple Les éléments simples n'ont qu'une seule taille de surface de cuisson. Toujours utiliser des articles de cuisson de dimension appropriée.

La taille de ces éléments peut être adaptée à la taille de vos plats de cuisson :

○/○ Élément double

- **Utilisation de l'anneau chauffant intérieur seul :** tournez le bouton vers le segment de gauche marqué du symbole ○.
- **Ajout de l'anneau chauffant extérieur :** tournez le bouton vers le segment de droite marqué du symbole ○/○.

Élément	Allumer et éteindre
 Élément triple	<ul style="list-style-type: none"> • Utilisation de l'anneau chauffant intérieur seul : tournez le bouton vers le segment de gauche marqué du symbole ○. • Ajout de l'anneau chauffant du milieu : tournez le bouton vers le segment du milieu marqué du symbole ◎. • Ajout de l'anneau chauffant extérieur : tournez le bouton vers le segment de droite marqué du symbole ⊙.
 Élément pont	<p>L'élément pont combine les éléments chauffants avant et arrière gauche pour former une longue plaque. Cette configuration convient parfaitement aux plaques à frire ou aux grands plats de cuisson.</p> <ul style="list-style-type: none"> • Utilisation avec les éléments individuels : tournez le bouton de l'élément avant gauche vers le segment de gauche marqué du symbole ○. • Utilisation avec la zone pont : Utilisez l'élément avant et l'élément de pont au milieu pour créer un élément de cuisson oblong. Tournez le bouton de l'élément avant gauche vers le pont marqué du symbole ⌘. Tournez le bouton de l'élément arrière gauche sur OFF (arrêt). • Utilisation avec l'élément pont : tournez le bouton de l'élément avant gauche vers le pont marqué du symbole ⌘. Tournez le bouton de l'élément arrière gauche vers le segment de droite marqué du symbole ◎. <ul style="list-style-type: none"> • Tournez le bouton de chacun des segments à peu près à la même position pour obtenir une chaleur uniforme. • Réglez les boutons à différents niveaux de chaleur pour créer différentes zones de chaleur dans votre plat de cuisson, pour saisir et mijoter, par exemple.

Fonctionnement

Allumage de la table de cuisson

Ce chapitre explique comment procéder au réglage des éléments chauffants. Le tableau ci-après répertorie les réglages de chaleur pour différents aliments.

AVERTISSEMENT

Le non respect du mode de fonctionnement des boutons peut entraîner des lésions corporelles ou des dommages à l'appareil.

Réglage de l'élément

Sélectionnez le niveau de chaleur en tournant le bouton correspondant.

Le niveau de chaleur peut être ajusté le long des segments circulaires autour de chaque bouton.

- L'extrémité mince du segment circulaire = niveau de chaleur minimal
- L'extrémité épaisse du segment circulaire = niveau de chaleur maximal

Lorsque l'élément est activé, l'indicateur lumineux d'activation s'allume.

Mise en arrêt de l'élément chauffant

Tourner la molette à la position **OFF**. Quand tous les molettes sont tournées à la position **OFF** l'appareil est mis en arrêt.

Remarque : La chaleur est activée et désactivée pour régler la température de l'élément; cela signifie que la lumière rouge sous l'élément n'est pas toujours visible. Lorsque vous sélectionnez un réglage de chauffage bas, l'élément s'éteint aux périodes assez longues, tandis qu'un réglage plus élevé s'éteint à l'occasion. Même à niveau élevé, l'élément s'allume et s'éteint.

Tableau des réglages

Le tableau suivant fournit des exemples. Les temps de cuisson peuvent varier selon le type d'aliment, son poids et sa qualité. Des écarts sont ainsi possibles.

Réglez l'élément au niveau de chaleur 9 pour amener à ébullition ou pour la friture initiale, puis revenez au réglage approprié (pas pour fondre).

Brassez les liquides épais occasionnellement. Les aliments qui doivent être poêlés rapidement, ou les aliments qui perdent beaucoup de liquide au cours de la friture initiale, devraient normalement être poêlés en petites portions. Des conseils pour économiser de

l'énergie au cours de la cuisson se trouvent à la section → "Protection de l'Environnement".

▲ ATTENTION

Pendant la cuisson, les ragoûts ou les repas liquides comme les soupes, les sauces ou les boissons peuvent chauffer trop rapidement et peuvent déborder ou éclabousser. Pour cette raison, nous vous recommandons de remuer constamment, en chauffant graduellement l'aliment à un niveau convenable.

	Niveaux de puissance/ Position des boutons
Melting (Fondre)	
chocolat	bas
beurre	bas
Heating (Chauffer)	
légumes congelés (p. ex., épinards)	bas à moyen-bas
bouillon	moyen à moyen-haut
soupe épaisse	bas
lait**	bas
Simmering (Mijoter)	
sauce délicate p. ex., sauce béchamel**	moyen-bas à moyen
sauce à spaghetti	bas à moyen-bas
boeuf braisé	moyen-bas à moyen
poisson*	moyen-bas à moyen
Cooking (Cuisson)	
riz (avec le double de la quantité d'eau)	moyen-bas
pommes de terre bouillies avec leur peau avec 1 à 2 tasses d'eau	moyen-bas à moyen
pommes de terre bouillies dans 1 à 2 tasses d'eau	moyen-bas à moyen
légumes frais avec 1 à 2 tasses d'eau	moyen-bas à moyen
légumes congelés avec 1 à 2 tasses d'eau	moyen-bas à moyen
pâtes (2-4 pintes d'eau)*	moyen-bas à moyen
pouding**	bas
céréales	moyen-bas
Frying (Friture)	
côtelette de porc	moyen
poitrine de poulet	moyen-bas à moyen
bacon	moyen
oeufs	moyen-bas à moyen
poisson	moyen-bas à moyen
crêpes	moyen
Grande friture** (dans 1 à 2 pintes d'huile)**	
produits alimentaires surgelés, p. ex., croquettes de poulet (0,5 lb par portion)	moyen-haut à haut
autres, p. ex., beignes (0,5 lb par portion)	moyen

* cuisson continue sans couvercle

** sans couvercle

Nettoyage et Entretien

Nettoyage quotidien

Remarque : Les recommandations de nettoyeurs sont fournies à titre indicatif et n'ont pas valeur de promotion d'une marque particulière.

Table de cuisson vitrocéramique

▲ ATTENTION

N'appliquez pas de nettoyeur sur le verre lorsque la surface est chaude, utilisez seulement le grattoir à lame de rasoir. Les vapeurs générées à cette occasion peuvent être nocives pour la santé. L'échauffement du nettoyeur peut provoquer une attaque chimique de la surface.

Nettoyer la surface lorsqu'elle est parfaitement froide, sauf dans les cas suivants : enlever immédiatement le sucre sec, le sirop de sucre, les produits à base de tomate et le lait au moyen du grattoir à lame de rasoir (voir le tableau spécial d'entretien).

Essuyer les projections avec une éponge humide propre ou du papier essuie-tout. Rincer et sécher. Utiliser du vinaigre blanc s'il reste des taches ; rincer.

Appliquer une petite quantité du nettoyeur pour tables de cuisson en vitrocéramique. Si la surface est sèche, la polir avec du papier essuie-tout ou un chiffon propre.

Moules latérales en acier inoxydable

Lors du nettoyage, utiliser une éponge à récurer. Pour les saletés modérées ou tenaces, utiliser un nettoyeur en poudre doux, tel que BonAmi® ou Soft Scrub® (sans chlore).

Essuyer avec une éponge humide ou un linge humide, rincer et sécher.

Instructions de nettoyage

Utilisez les produits nettoyeurs en petites quantités ; appliquez le nettoyeur sur un papier essuie-tout ou un chiffon propre et sec. Passez sur la surface et polissez avec un chiffon sec et propre.

Pour obtenir les meilleurs résultats, utilisez des nettoyeurs pour table de cuisson en vitrocéramique comme BonAmi®, Soft Scrub® (sans eau de Javel), et du vinaigre blanc.

Éviter ces nettoyeurs

- Nettoyeurs à vitres contenant de l'ammoniaque ou un agent chloré de blanchiment. Ces ingrédients peuvent endommager ou colorer durablement la table de cuisson.
- Nettoyeurs caustique - les nettoyeurs comme Easy Off® peuvent colorer la surface de la table de cuisson.
- Nettoyeurs abrasifs.
- Les tampons à récurer en métal et éponges à laver, comme Scotch Brite®, peuvent rayer ou laisser des marques dans le métal.
- Les tampons à récurer savonneux, comme SOS®, peuvent rayer la surface.
- Les nettoyeurs en poudre contenant un agent chloré de blanchiment peuvent colorer durablement la table de cuisson.
- Les nettoyeurs inflammables, tels l'essence à briquet ou WD-40.

Tableau de nettoyage

Type de salissures	Solution possible
Sucre sec, sirop de sucre, lait ou morceaux de tomates. Film ou feuille de plastique fondu. Il faut ENLEVER IMMEDIATEMENT tous ces dépôts. Si vous ne les enlevez pas tout de suite, vous risquez d'endommager durablement la surface.	Enlever ces salissures pendant que la surface est encore chaude, à l'aide du grattoir à lame de rasoir. Mettre une lame neuve et bien affûtée dans le grattoir. Enlever la poêle et éteindre le foyer. Porter des gants de cuisinier, tenir le grattoir avec un angle de 30°, veiller à ne pas rayer le verre. Enlever les salissures de la zone chauffée. Une fois que la surface a refroidi, enlever les résidus et appliquer un nettoyant pour table de cuisson en vitrocéramique.
▲ AVERTISSEMENT	
RISQUE DES LÉSIONS La lame est très aiguisée. Risque de coupures. Protéger la lame quand elle n'est pas utilisée. Remplacer immédiatement la lame si elle présente des imperfections.	
Aliments brûlés, traînées foncées et taches	Ramollir pendant 30 minutes en plaçant un papier essuie-tout ou une éponge humide sur la salissure. Utiliser un tampon à récurer en plastique et un nettoyant pour tables de cuisson en vitrocéramique ou bien le grattoir à lame de rasoir. Rincer et sécher.
Projections de graisse	Utiliser une éponge ou une lavette savonneuse pour enlever la graisse ; rincer soigneusement et sécher. Appliquer un nettoyant pour tables de cuisson en vitrocéramique.
Marques laissées par le métal : Tache chatoyante	Les poêles contenant de l'aluminium, du cuivre ou de l'inox peuvent laisser des marques. Dans ce cas, il faut traiter avec un nettoyant pour tables de cuisson en vitrocéramique dès que la surface a refroidi. Si cela ne suffit pas à enlever les marques, essayer avec un produit abrasif doux (Bon Ami®, Soft Scrub® sans eau de Javel) et du papier essuie-tout humide. Rincer et réappliquer du nettoyant pour tables de cuisson en vitrocéramique. Si vous n'enlevez pas avant la prochaine cuisson les marques laissées par le métal, vous aurez beaucoup de mal à le faire plus tard.
Taches d'eau calcaire : Liquides de cuisson ayant débordé sur la surface	Les minéraux contenus dans certaines eaux peuvent être transférés à la surface et générer des taches. Utiliser du vinaigre blanc non dilué, rincer et sécher. Remettre en état avec du nettoyant pour tables de cuisson en vitrocéramique. Enlever les traces de débordement et les taches avant de réutiliser la table de cuisson.
Rayures de surface : Les petites rayures sont courantes et n'affectent pas la cuisson. Elles se polissent et sont moins visibles si le nettoyant pour tables de cuisson en vitrocéramique est appliqué quotidiennement.	Appliquer un nettoyant pour tables de cuisson en vitrocéramique avant l'utilisation, afin d'éliminer les grains de sable ou autres (sel et épices). Pour réduire les rayures, utiliser des poêles à fonds lisses, propres, et les sécher avant utilisation. Utiliser chaque jour le nettoyant pour tables de cuisson en vitrocéramique recommandé. AVIS : les anneaux en diamant peuvent rayer la surface.

Entretien

Cet appareil ne requiert pas d'autre entretien qu'un nettoyage quotidien. Pour obtenir les meilleurs résultats, appliquer chaque jour une crème de nettoyage pour tables de cuisson.

Entretien

Comment bénéficier du service de garantie

Pour obtenir un service de garantie pour votre produit, contactez le centre de service autorisé THERMADOR® le plus près de chez vous.

Numéro E et numéro FD:

Quand vous contactez notre service, veuillez avoir à portée de main le numéro de modèle (E) et le numéro FD de votre appareil. Vous pouvez trouver la plaque signalétique avec ces numéros sur le dessous de l'appareil et dans le livret de l'appareil. Pour ne pas avoir à chercher longtemps en cas de besoin, vous pouvez inscrire ici les références de l'appareil et le numéro de téléphone du service après-vente.

N° E	N° FD
Service après-vente ☎	

Vous avez encore des questions? N'hésitez pas à nous contacter. Nous nous ferons un plaisir de vous servir!

1-800-735-4328
www.thermador.com
1901 Main Street, Suite 600
Irvine, CA 92614

ÉNONCÉ DE LA GARANTIE LIMITÉE

Couverture de la garantie :

La garantie limitée fournie par BSH Home Appliances Ltd. (« BSH ») dans le présent énoncé de garantie limitée s'applique seulement aux THERMADOR® appareil (« Produit ») vendu au premier acheteur, en autant que le produit ait été acheté :

- pour une utilisation normale résidentielle (non commerciale), et qu'en fait en tout temps a été utilisé pour un usage domestique normal ;
- nouveau au détail (non en montre, tel quel ou un retour), qu'il n'est pas destiné à la revente ni à un usage commercial et ;
- aux États-Unis ou au Canada et qu'il est demeuré en tout temps dans le pays où l'appareil a été acheté.

Les garanties aux présentes s'appliquent à l'acheteur original du Produit sous garantie et à tout propriétaire successif du produit acheté pour une utilisation résidentielle habituelle et la durée de la garantie.

S'assurer de retourner la carte d'enregistrement, quoiqu'elle n'est pas nécessaire pour la garantie, c'est la façon dont BSH peut vous aviser dans le cas d'un avis de rappel ou de sécurité du produit.

Durée de la garantie

BSH garantit que le produit est exempt de défauts autant dans les matériaux que dans la main-d'oeuvre pour une période de sept cent trente (730) jours à partir de la date d'achat. Cette période commence dès la date de l'achat et ne peut pas être arrêtée, prolongée ou suspendue pour quelque raison que ce soit.

Ce Produit est également garanti contre tout défaut de matériau et de fabrication *apparent* (tels les éraflures sur l'acier inoxydable, les défauts d'aspect de la peinture ou de la porcelaine, les ébréchures, les bosselures, ou autres dégâts au fini du Produit), pendant une période de soixante (60) jours à compter de la date d'achat ou de la date de clôture pour une nouvelle construction. Cette garantie relative à *l'apparence* exclut les légères variations de couleur découlant des différences inhérentes aux pièces peintes et en porcelaine, ainsi que découlant des différences causées par l'éclairage de cuisine, l'emplacement du produit ou d'autres facteurs similaires. Cette garantie relative à *l'apparence* exclut plus particulièrement tout appareil électroménager en exposition, de plancher, « En l'état » ou de stock « B ».

Réparation ou remplacement comme solution exclusive

Pendant la période de garantie, BSH ou un de ses centres de service autorisés réparera le produit sans frais (sujet à certaines limitations indiquées dans le présent document), si le produit présente un défaut de fabrication ou de matériaux. Si des tentatives raisonnables pour réparer le produit sont vaines, alors BSH remplacera le produit (un modèle supérieur peut être disponible, à la seule discrétion de BSH, moyennant des frais additionnels). Toutes les pièces ou les composants enlevés demeurent la seule propriété de BSH. Toute pièce et tout composant réparés doit être identique à la pièce d'origine à des fins de cette garantie et la garantie ne sera pas prolongée en regard de telles pièces. La seule responsabilité de BSH est de faire réparer le produit défectueux par un centre de service

autorisé pendant les heures d'affaires normales. Pour la sécurité et éviter des dommages à la propriété, BSH recommande fortement de ne pas réparer le produit soi-même, par une personne non qualifiée ; BSH ne sera pas tenu responsable des réparations ou du travail effectué par une personne non autorisée. Si le consommateur désire faire réparer par une personne autre qu'une personne autorisée, CETTE GARANTIE EST AUTOMATIQUEMENT NULLE ET NON AVENUE. Les centres de service autorisés sont les personnes ou les compagnies qui ont été spécialement formées sur les produits BSH et qui possèdent, selon l'opinion de BSH, une réputation supérieure pour le service à la clientèle et la capacité technique (il est à noter qu'elles sont des entités indépendantes et non des agents, partenaires, affiliations ou représentants de BSH). Nonobstant ce qui suit, BSH ne sera pas tenu responsable d'aucune façon si le produit est situé dans une région éloignée (supérieure à 100 miles d'un centre de service autorisé) ou n'est pas accessible de façon raisonnable, dans un environnement hasardeux, dangereux ; dans une telle éventualité, à la demande du consommateur, BSH pourrait payer les frais de main-d'oeuvre et de pièces et expédier les pièces à un centre de service autorisé le plus près, mais le consommateur serait entièrement responsable pour toute durée de déplacement et autres frais spéciaux encourus par le centre de service, en autant qu'il accepte l'appel de service.

Produit hors garantie

BSH n'a aucune obligation, par loi ou autre, d'offrir toute concession, incluant réparation, prorata ou remplacement de produit une fois la garantie expirée.

Exclusions à la garantie

La couverture de garantie décrite aux présentes exclut tout défaut ou dommage qui n'est pas une faute directe de BSH, y compris sans limitation, un ou plusieurs des cas suivants :

- utilisation du produit autre qu'un usage normal, habituel et de la façon destinée (incluant sans limitation toute forme d'utilisation commerciale, d'utilisation ou de rangement d'un produit pour l'intérieur à l'extérieur, utilisation du produit de concert avec un transporteur aérien ou marin) ;
- mauvaise conduite, négligence, mauvaise utilisation, abus, accidents, fonctionnement inadéquat, mauvais entretien, installation inadéquate ou négligente, altération, manquement d'observer les instructions de fonctionnement, mauvaise manipulation, service non autorisé (incluant réparation par le consommateur ou exploration du fonctionnement interne du produit) ;
- ajustement, modification ou altération de toute sorte ;
- manquement à la conformité des normes applicables fédérales, provinciales, municipales ou électrique du pays, codes de plomberie et/ou de construction, réglementation ou lois, incluant le manquement d'installer le produit en stricte conformité avec les codes et réglementations de construction et d'incendie locaux ;

- usure ordinaire, déversements d'aliments, liquide, accumulation de graisse ou autres substances accumulées dans, sur ou autour du produit ;
- toute force ou tout facteur externe, élémentaire et/ou environnemental, incluant sans limitation, pluie, vent, sable, inondation, incendie, coulée de boue, gel, humidité excessive et exposition prolongée à l'humidité, foudre, surtension, problème de structure autour de l'appareil et actes de Dieu.

En aucun cas, BSH ne sera tenu responsable des dommages survenus à la propriété, incluant les armoires, planchers, plafonds et autres objets ou structures autour du produit. Également exclus de la garantie sont des produit sur lequel le numéro de série a été modifié, altéré, effacé, enlevé ; appel de service pour enseigner le fonctionnement du produit ou les visites où il n'y a aucun problème avec le produit ; correction de problèmes d'installation (le consommateur est seul responsable pour toute structure et tout réglage du produit, incluant l'électricité, la plomberie et autres connexions nécessaires, pour un plancher/fondation appropriée, et pour toute modification incluant, sans limitation, armoire, mur, plancher, tablette, etc.) et la remise de coupe-circuit ou remplacement de fusible.

SELON LA PORTÉE PERMISE PAR LA LOI, CETTE GARANTIE DONNE DES SOLUTIONS EXCLUSIVE RELATIVEMENT AU PRODUIT, QUE LA RÉCLAMATION SURVIENNE PAR CONTRAT OU TORT (INCLUANT RESPONSABILITÉ STRICTE OU NÉGLIGENCE) OU AUTRE. CETTE GARANTIE EST EN LIEU DE TOUTE AUTRE GARANTIE, EXPRESSE OU IMPLICITE, TOUTE GARANTIE PAR LOI, À DES FINS DE COMMERCIALISATION OU À DES FINS PARTICULIÈRES, OU AUTRE, SERA EN VIGUEUR SEULEMENT POUR LA PÉRIODE EFFECTIVE DE LA GARANTIE LIMITÉE EXPRESSE. EN AUCUN CAS, LE FABRICANT NE PEUT ÊTRE TENU RESPONSABLE DES DOMMAGES ACCESSOIRES, SPÉCIAUX, INDIRECTS, PERTES D'AFFAIRES, ET/OU DOMMAGES PUNITIFS, PERTES, FRAIS INCLUANT SANS LIMITATION LE MANQUEMENT AU TRAVAIL, REPAS À L'HÔTEL ET/OU AU RESTAURANT, FRAIS DE REMODELAGE SURVENUS À CAUSE DE DOMMAGES DIRECTS DÉFINITIVEMENT CAUSÉS EXCLUSIVEMENT PAR BSH OU AUTRE. CERTAINS ÉTATS NE PERMETTENT PAS L'EXCLUSION OU LA LIMITATION DES DOMMAGES ACCESSOIRES OU INDIRECTS ET NE PERMETTENT PAS LA LIMITATION SUR LA DURÉE D'UNE GARANTIE IMPLICITE, PAR CONSÉQUENT LES LIMITATIONS SUSMENTIONNÉES PEUVENT NE PAS S'APPLIQUER. CETTE GARANTIE DONNE DES DROITS SPÉCIFIQUES ET IL PEUT Y EN AVOIR D'AUTRES QUI VARIENT D'UN ÉTAT À L'AUTRE.

Aucune tentative de modifier, changer ou amender cette garantie ne peut être effective sans le consentement écrit autorisé par un officier de BSH.

Soutien THERMADOR®

Dépannage

Nous sommes conscients que vous avez investi des sommes considérables dans votre cuisine. Nous nous engageons à vous offrir, ainsi qu'à votre appareil, un service de dépannage qui vous permettra de profiter de votre cuisine pendant de nombreuses années.

N'hésitez pas à communiquer avec notre service à la clientèle STAR® si vous avez des questions ou dans l'éventualité peu probable où votre appareil THERMADOR® nécessiterait de l'entretien. Notre équipe de dépannage se fera un plaisir de vous aider.

États-Unis

800-735-4328

www.thermador.com/support

Canada

800-735-4328

www.thermador.ca

Pièces et accessoires

Pour vous procurer des pièces, des filtres, du détartrant, des produits nettoyants pour l'acier inoxydable et autres, rendez-vous sur la boutique en ligne THERMADOR® ou communiquez avec nous par téléphone.

États-Unis

<http://store.thermador.com/us>

Canada

- Si vous résidez dans les provinces de l'Atlantique, en Ontario ou au Québec, communiquer avec :

Marcone

1.800-287-1627

- Si vous résidez dans un territoire, au Manitoba, en Saskatchewan, en Alberta ou en Colombie-Britannique, communiquer avec :

Reliable Parts

800-663-6060

ÍNDICE

⚠ Definiciones de seguridad	31
INSTRUCCIONES DE SEGURIDAD IMPORTANTES ...	32
Seguridad para evitar incendios	32
Seguridad al cocinar	32
Prevención de quemaduras	33
Seguridad de los niños	33
Seguridad en la limpieza	33
Seguridad en los utensilios de cocina	33
Instalación y mantenimiento adecuados	34
Advertencia en virtud de la Proposición 65	34
Elementos que pueden dañar el electrodoméstico ..	35
Protección Medioambiental	35
Dispositivo de ahorro de energía	35
Para familiarizarse con la unidad	36
Panel de control	36
Elementos de calentamiento	36
Operación	37
Para encender la placa	37
Limpieza y Mantenimiento	39
Limpieza diaria	39
Pautas de limpieza	39
Tablas de limpieza	40
Mantenimiento	40
Servicio técnico	41
Cómo obtener el servicio técnico de la garantía	41
DECLARACIÓN DE GARANTÍA LIMITADA DEL PRODUCTO	41
Cobertura de esta garantía y a quiénes se aplica	41
Duración de la garantía	41
Reparación/reemplazo como único recurso	41
Producto fuera de garantía	42
Exclusiones de la garantía	42
Soporte técnico de THERMADOR®	43
Servicio técnico	43
Piezas y accesorios	43

Este electrodoméstico de THERMADOR

es hecho por
 BSH Home Appliances Corporation
 1901 Main Street, Suite 600
 Irvine, CA 92614

¿Preguntas?

1-800-735-4328

www.thermador.com

¡Con gusto lo atenderemos!

Definiciones de seguridad

ADVERTENCIA

Esto indica que pueden producirse heridas graves o incluso la muerte si no se cumple con esta advertencia.

ATENCIÓN

Esto indica que pueden producirse heridas leves o moderadas si no se cumple con esta advertencia.

AVISO: Esto indica que pueden producirse daños en el aparato o en los bienes si no se cumple con este aviso.

Nota: Esto alerta sobre información o sugerencias importantes.

INSTRUCCIONES DE SEGURIDAD IMPORTANTES

LEA Y CONSERVE ESTAS INSTRUCCIONES

ADVERTENCIA

Su nuevo electrodoméstico ha sido diseñado para ser seguro y confiable si recibe el cuidado adecuado. Lea atentamente todas las instrucciones antes de usarlo. Estas precauciones reducirán el riesgo de quemaduras, descarga eléctrica, incendio y lesiones a personas. Al utilizar electrodomésticos de cocina, se deben tomar precauciones de seguridad básicas, incluidas las que se encuentran en las páginas siguientes.

Una vez retirado el embalaje, revise el aparato. No lo conecte si ha sufrido daños durante el transporte. Este electrodoméstico no fue diseñado para ser usado con un temporizador externo ni con un control remoto. Este aparato no está diseñado para ser utilizado por personas (incluidos niños) con capacidades físicas, sensoriales o mentales reducidas, o falta de experiencia y conocimiento, a menos que sean supervisados o instruidos acerca del uso del aparato por una persona responsable de su seguridad.

Seguridad para evitar incendios

No deje que papel de aluminio, plástico, papel ni tela entren en contacto con un elemento de la superficie, una hornilla o una rejilla calientes. No deje ollas hirviendo sin líquido.

Si la placa está cerca de una ventana, una ventilación o un ventilador de aire forzado, asegúrese de que los materiales inflamables, como los elementos utilizados para cubrir una ventana, no se aproximen a las hornillas o a los elementos ni se extiendan sobre estos. Podrían prenderse fuego.

Siempre tenga un detector de humo en funcionamiento cerca de la cocina.

Nunca deje la placa sin vigilancia cuando esté en uso. Los derrames por hervor causan humo y las salpicaduras grasosas pueden prenderse fuego.

ADVERTENCIA

PARA REDUCIR EL RIESGO DE INCENDIO OCASIONADO POR GRASA:

- a. Nunca deje las unidades de la superficie sin vigilancia en valores altos. Los derrames por hervor producen humos y salpicaduras grasosas que pueden prenderse fuego. Caliente los aceites despacio a temperaturas bajas o medianas.
- b. Siempre encienda la campana al cocinar a una temperatura alta.
- c. Limpie los ventiladores extractores con frecuencia. No se debe permitir la acumulación de la grasa en el ventilador ni en el filtro.
- d. Use el tamaño de cacerola adecuado. Siempre use utensilios de cocina apropiados para el tamaño del elemento de la superficie.

No flambee alimentos bajo la campana no decorativa ni trabaje con la llama abierta. Cuando está encendida, la campana extractora atrae las llamas hacia el filtro. ¡Siempre existe el riesgo de incendio debido a los depósitos en el filtro de grasa!

En el caso de que su ropa se prenda fuego, arrójese al piso y ruede de inmediato para extinguir las llamas.

Tenga un extinguidor de incendio disponible, cerca, en un área fácilmente visible y accesible, cerca del electrodoméstico.

Sofoque las llamas provocadas por alimentos que se prenden fuego, que no sean incendios ocasionados por grasa, con bicarbonato de sodio. Nunca use agua en incendios ocasionados al cocinar.

ADVERTENCIA

PARA REDUCIR EL RIESGO DE LESIONES A PERSONAS EN CASO DE INCENDIO OCASIONADO POR GRASA, SIGA ESTAS INDICACIONES:

- a. SOFOQUE LAS LLAMAS con una tapa que ajuste correctamente, una placa para galletas u otra bandeja de metal, luego, apague el electrodoméstico. ASEGÚRESE DE PREVENIR LAS QUEMADURAS. Si las llamas no se apagan de inmediato, EVACUE EL ÁREA Y LLAME AL DEPARTAMENTO DE BOMBEROS.
- b. NUNCA LEVANTE UNA OLLA EN LLAMAS. Puede quemarse.
- c. NO USE AGUA, ni repasadores o toallas húmedos. Puede ocasionar una violenta explosión por vapor.
- d. Use un extinguidor sólo si:
 - Sabe que tiene un extinguidor CLASE ABC y ya sabe cómo usarlo.
 - El incendio es pequeño y se limita al área donde se originó.
 - Alguien llamó al departamento de bomberos.
 - Puede combatir el incendio de espaldas a una salida.

Si es posible, no ponga el sistema de ventilación en funcionamiento si hay un incendio en la placa. Pero no atravesese el fuego con la mano para apagarla.

Seguridad al cocinar

ADVERTENCIA

Utilice este electrodoméstico únicamente para el fin para el cual fue diseñado, según se describe en este manual. NUNCA utilice este electrodoméstico como estufa para calentar o calefaccionar la habitación. Esto puede hacer que el electrodoméstico se caliente en exceso. Nunca utilice el electrodoméstico para almacenar objetos.

No utilizar nunca el aparato si se han derramado líquidos o alimentos alrededor del panel de control. Apagar siempre la placa de cocción y secar el panel de control.

INSTRUCCIONES DE SEGURIDAD IMPORTANTES

LEA Y CONSERVE ESTAS INSTRUCCIONES

ADVERTENCIA

No hacer funcionar bien las perillas puede ocasionar lesiones personales y daños al electrodoméstico.

Si la placa se desconecta sola y no puede ser utilizada durante un tiempo suficiente, se podrá desconectar repentinamente también en el futuro. Para evitarlo, desconectar el interruptor en la caja de fusibles. Contactar con un técnico autorizado.

ADVERTENCIA

Si la superficie está rajada, apague el aparato para evitar la posibilidad de descarga eléctrica.

Prevención de quemaduras

NO TOQUE LAS UNIDADES DE LAS SUPERFICIES NI LAS ÁREAS CERCANAS A LAS UNIDADES. Las unidades de la superficie pueden estar calientes, aunque su color sea oscuro. Las áreas cercanas a las unidades de la superficie pueden calentarse lo suficiente como para ocasionar quemaduras. Durante el uso y con posterioridad, no toque las unidades de la superficie o áreas cercanas a las unidades, ni deje que su ropa, agarradores ni otros materiales inflamables entren en contacto con estos hasta que haya transcurrido el tiempo suficiente para que se enfríen. Entre estas áreas, se encuentran la placa y las áreas que miran hacia la placa.

No caliente recipientes de alimentos sin abrir. La acumulación de presión puede hacer explotar el recipiente y causar lesiones.

Siempre use agarradores secos. Los agarradores húmedos o mojados sobre las superficies calientes pueden ocasionar quemaduras por vapor. No deje que los agarradores toquen los elementos de calentamiento que estén calientes. No use toallas ni otros paños gruesos.

Use valores de calor altos en la placa sólo cuando sea necesario. Para evitar burbujas y salpicaduras, caliente el aceite despacio, a un valor bajo-mediano, como máximo. El aceite caliente puede provocar quemaduras y lesiones de extrema gravedad.

Nunca mueva un recipiente con aceite caliente, especialmente una freidora. Espere hasta que se haya enfriado.

Sujétese todas las prendas, etc. antes de comenzar. Sujétese el cabello largo de manera que no quede suelto, y no use prendas holgadas o sueltas, como corbatas, bufandas, joyas o mangas amplias.

Seguridad de los niños

Cuando los niños tienen la edad adecuada para utilizar el electrodoméstico, es responsabilidad de los padres o tutores legales asegurarse de que reciban las instrucciones sobre prácticas seguras por parte de personas calificadas.

No deje que nadie se suba, pare, incline, siente o cuelgue de cualquier parte de un electrodoméstico, especialmente una puerta, cajón calentador o cajón para almacenamiento. Esto puede dañar el electrodoméstico, y la unidad puede caerse y, posiblemente, causar lesiones graves.

No permita que niños utilicen este electrodoméstico, a menos que sean supervisados de cerca por un adulto. Los niños y las mascotas no deben quedar solos o sin vigilancia en el área donde se utilice el electrodoméstico. Nunca se les debe permitir jugar cerca del electrodoméstico, independientemente de que esté en funcionamiento o no.

ATENCIÓN

Los objetos de interés para niños no deben almacenarse en un electrodoméstico, en gabinetes sobre un electrodoméstico ni en la placa antisalpicaduras. Si los niños se suben a un electrodoméstico para alcanzar estos objetos, podrían sufrir lesiones graves.

Seguridad en la limpieza

No limpie el electrodoméstico cuando aún esté caliente. Algunos limpiadores producen emanaciones tóxicas cuando se aplican en una superficie caliente. Las esponjas y los paños mojados pueden ocasionar quemaduras por vapor.

No use limpiadores a vapor para limpiar el aparato.

Seguridad en los utensilios de cocina

Sostenga el mango de la olla cuando revuelva o dé vuelta los alimentos. Esto ayuda a evitar salpicaduras y a prevenir el movimiento de la olla.

Utilice el tamaño de olla adecuado.

El uso de utensilios de cocina más pequeños deja expuesta al contacto directo una parte del elemento de calentamiento o de la hornilla, y puede ocasionar la ignición de la ropa. Seleccione utensilios de cocina con bases planas y lo suficientemente grandes para que cubran la unidad de calentamiento de la superficie. Este electrodoméstico está equipado con una o más unidades de superficie de diferente tamaño. La proporción correcta del utensilio de cocina con respecto al elemento de calentamiento o la hornilla también aumenta la eficiencia.

Los utensilios de cocina no aprobados para uso con placas de cerámica pueden romperse con los cambios bruscos de temperatura. Use sólo ollas que sean apropiadas para placas de cerámica (únicamente determinados tipos de vidrio, vidrio resistente al calor, cerámica, loza u otros utensilios vidriados que sean aptos).

Siempre coloque los mangos de los utensilios hacia adentro, de manera que no se extiendan sobre las áreas de trabajo adyacentes ni sobre el borde de la placa. Esto reduce el riesgo de incendios, derrames y quemaduras.

INSTRUCCIONES DE SEGURIDAD IMPORTANTES

LEA Y CONSERVE ESTAS INSTRUCCIONES

Siempre mantenga la placa y las bases de las cacerolas secas. El líquido que se encuentra entre la base de la cacerola y la placa puede acumular presión de vapor, que puede hacer que la cacerola salte repentinamente y provoque lesiones.

Instalación y mantenimiento adecuados

Pídale al instalador que le muestre la ubicación del disyuntor o el fusible. Márquela para recordarla más fácilmente.

Este electrodoméstico debe ser correctamente instalado y conectado a tierra por un técnico calificado. Conéctelo sólo a una toma de corriente eléctrica correctamente conectada a tierra. Para obtener más información, consulte las Instrucciones de instalación.

Este electrodoméstico ha sido diseñado para uso doméstico normal únicamente. No está aprobado para uso en exteriores. Consulte la Declaración de Garantía limitada del Producto. Si tiene alguna pregunta, comuníquese con el fabricante.

No almacene ni utilice productos químicos corrosivos, vapores, materiales inflamables ni productos no alimenticios dentro de este electrodoméstico ni cerca de él. Está específicamente diseñado para calentar o cocinar alimentos. El uso de productos químicos corrosivos al calentar o limpiar dañará el electrodoméstico y podría causar lesiones.

No utilice este electrodoméstico si no funciona correctamente o si ha sido dañado. Comuníquese con un centro de servicio técnico autorizado.

No cocine en una placa rota. Las soluciones de limpieza y los derrames pueden crear un riesgo de descarga eléctrica.

No repare ni cambie ninguna parte del electrodoméstico, a menos que se recomiende específicamente en este manual. Remita todas las reparaciones a un centro de servicio técnico autorizado por la fábrica.

Para evitar un peligro de descarga eléctrica, antes de reparar el electrodoméstico, apague la alimentación eléctrica en el panel de servicio y trabe el panel para impedir que se encienda accidentalmente.

Advertencia en virtud de la Proposición 65:

Este producto puede contener un químico que el Estado de California reconoce como potencialmente cancerígeno o causante de daños reproductivos. Por tanto, su producto debe llevar en su embalaje la siguiente etiqueta de conformidad con la legislación de California:

ADVERTENCIA EN VIRTUD DE LA PROPOSICIÓN 65 DEL ESTADO DE CALIFORNIA:

 **ADVERTENCIA**

Cáncer y daño reproductivo - www.P65Warnings.ca.gov

Elementos que pueden dañar el electrodoméstico

AVISO

- **Rayas en las superficies de cerámica:** los utensilios de cocina de base áspera rayan la cerámica.
- **Sal, azúcar y arena:** la sal, el azúcar y la arena rayan la cerámica. Nunca utilice la placa como una superficie de trabajo o para apoyar elementos.
- **Utensilios de cocina sobrecalentados:** evite calentar cacerolas o ollas vacías.
- **Utensilios de cocina calientes:** coloque cacerolas y ollas calientes en el área operativa o en el borde. Esto puede causar daños.
- **Objetos duros y filosos:** si caen objetos duros o filosos en la placa calentadora, esta puede dañarse.
- **Fuentes que se desbordan:** los productos de azúcar y con azúcar pueden dañar la placa calentadora. Elimine estos productos inmediatamente con un raspador de vidrio.
- **Papel de aluminio y plástico:** Las fuentes de papel de aluminio y plástico se derretirán en las placas calentadoras calentadas. La película protectora para estufas no es apta para su placa.
- **Agentes de limpieza no aptos:** puede producirse la decoloración metálica reluciente de la cerámica por el uso de agentes de limpieza no aptos y por la abrasión de los utensilios de cocina.

Protección Medioambiental

Dispositivo de ahorro de energía

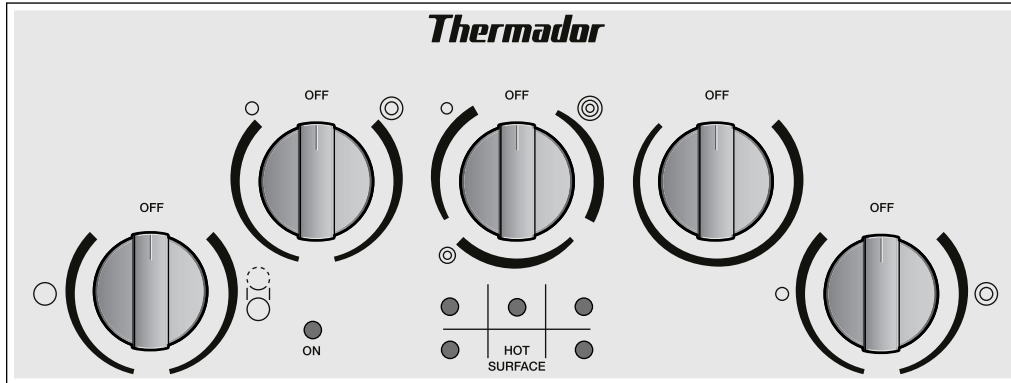
- Poner siempre una tapa hermética en el recipiente para cocinar. Cocinar con un sartén sin tapar aumenta el consumo de energía de manera notable. Utilizar una tapa de vidrio para facilitar la visibilidad y evitar tener que levantar la tapa.
- Utilizar un recipiente para cocinar con una base sólida y lisa. Una base curvada en el sartén aumenta el consumo de energía.
- El diámetro de la base del sartén deberá ajustarse al tamaño del elemento. En caso contrario, se desperdiciará energía.
- Elegir un recipiente para cocinar de un tamaño que se ajuste a la cantidad de comida que va a cocinar. Un sartén grande que solo se utilice a la mitad, consume mucha energía.
- Utilizar poca cantidad de agua al cocinar. Esto ahorrará energía y las verduras conservarán un porcentaje mayor de sus vitaminas y minerales.
- Cambiar a un ajuste de temperatura menor a su debido tiempo.
- Seleccionar un ajuste adecuado para lo que se esté cocinando. Se desperdiciará energía si se hace uso de unos ajustes de cocción demasiado elevados.
- Utilizar el calor residual de la encimera. Para tiempos de cocción prolongados, apagar el elemento de 5 a 10 minutos una vez finalizado el tiempo de cocción.

Para familiarizarse con la unidad

En esta sección, se describen el panel de control, los elementos des calentamiento y las pantallas. Estas instrucciones se aplican a varia placas.

La página 2 contiene una lista de modelos y dimensiones.

Panel de control





Posiciones de la perilla	
Off (apagado)	Elemento de cocción apagado.
Segmentos circulares	Los niveles de temperatura pueden ajustarse de forma continua: <ul style="list-style-type: none"> • Ajuste más bajo = extremo fino del segmento circular • Ajuste más alto = extremo grueso del segmento circular

Indicadores luminosos	
	La cubierta está encendida
On (encendido)	
	El elemento de cocción está encendido La superficie está caliente

AVISO: Siempre mantenga las perillas de control limpias y secas. La humedad y la suciedad impiden que funcionen en forma óptima.

Elementos de calentamiento

Elemento	Encendido y apagado
Elemento individual	Los elementos individuales tienen solo una superficie de cocción de un solo tamaño. Utilizar siempre el recipiente con el tamaño adecuado.
El tamaño de estos elementos puede coincidir con el tamaño de su sartén:	
Dos elementos	<ul style="list-style-type: none"> • Utilizar solo el anillo calefactor interior: girar la perilla a lo largo del segmento izquierdo marcado con . • Añadir el anillo calefactor externo: girar la perilla a lo largo del segmento derecho marcado con .

Elemento	Encendido y apagado
 <p>Tres elementos</p>	<ul style="list-style-type: none"> • Utilizar solo el anillo calefactor interior: girar la perilla a lo largo del segmento izquierdo marcado con ○. • Añadir el anillo calefactor central: girar la perilla al segmento medio marcado con ◎. • Añadir el anillo calefactor externo: girar la perilla a lo largo del segmento derecho marcado con ◎.
 <p>Elemento puente</p>	<p>El elemento puente combina los elementos de calentamiento de la parte delantera y trasera del lado izquierdo para formar una zona de plancha larga. Esta configuración es ideal para planchas y sartenes grandes.</p> <ul style="list-style-type: none"> • Utilizar como elementos individuales: girar la perilla del elemento frontal izquierdo a lo largo del segmento izquierdo marcado con ○. • Utilización como zona de puente: utilizar el elemento frontal y el elemento central de puente para crear un elemento alargado. Girar la perilla del elemento frontal izquierdo a lo largo del segmento de puente marcado con ☉. Colocar la perilla del elemento trasero izquierdo en posición de apagado. • Utilizar como elemento puente: girar la perilla del elemento frontal izquierdo a lo largo del segmento de puente marcado con ☉. Girar la perilla del elemento trasero izquierdo a lo largo del segmento derecho marcado con ◎. <ul style="list-style-type: none"> • Girar las dos perillas de modo que queden aproximadamente en la misma posición con respecto a sus segmentos correspondientes para conseguir que el calentamiento sea uniforme. • Coloque las perillas en distintos niveles de calentamiento para crear zonas de calentamiento distintas en la sartén, por ejemplo, para rehogar y estofar.

Operación

Para encender la placa

En este capítulo, aprenderá cómo ajustar los elementos de calentamiento. La tabla contiene los valores de calor para diversos alimentos.

▲ ADVERTENCIA

No hacer funcionar bien las perillas puede ocasionar lesiones personales y daños al electrodoméstico.

Ajustar el elemento

Seleccionar el nivel de temperatura necesario girando la perilla correspondiente.

El nivel de temperatura se puede ajustar en los segmentos circulares alrededor de cada mando.

- Extremo fino del segmento circular = nivel mínimo de calor
- Extremo grueso del segmento circular = nivel máximo de calor

Cuando el elemento se enciende, el indicador de que está conectado se ilumina.

Para apagar el elemento

Gire la perilla a la posición **OFF** (APAGADO). Cuando todas las perillas están en la posición **OFF**, la placa está apagada.

Nota: Se enciende y apaga el suministro de calor para regular la temperatura del elemento; esto significa que el brillo rojo debajo del elemento no siempre es visible. Cuando selecciona un valor de calor bajo, el elemento se apaga en intervalos prolongados. Incluso al nivel más alto, el elemento se apaga y se enciende.

Tabla de ajustes

La siguiente tabla facilita algunos ejemplos. Los tiempos de cocción pueden variar, dependiendo del tipo de comida, su peso y su calidad. Por lo tanto, cualquier desviación es posible.

Ajustar el elemento al ajuste de temperatura número 9 para llevar a ebullición o empezar a freír. Después, vuelva a cambiarlo al ajuste adecuado (no para fundirse).

Remover de vez en cuando, si se trata de un líquido viscoso. Es mejor quemar en varios trozos pequeños, aquellos alimentos que se tengan que quemar rápido o que pierdan una gran cantidad de líquido al freírlos. Se

pueden encontrar consejos para cocinar ahorrando energía en la sección → "Protección Medioambiental".

▲ ATENCION

Mientras se cocina, los guisos y las comidas líquidas, como sopas, salsas y bebidas, pueden aumentar demasiado rápido su temperatura sin que nos demos cuenta y desbordarse o salpicar. Por esta razón, recomendamos remover constantemente y aumentar de manera gradual la temperatura de la comida hasta alcanzar un nivel de potencia adecuado.

	Niveles de potencia/ Posición de perilla
Fundir	
Chocolate	Bajo
Mantequilla	Bajo
Calentar	
Verduras congeladas (p. ej., espinacas)	Bajo a medibajo
Caldo	Medio a medio alto
Sopa espesa	Bajo
Leche**	Bajo
Hervir a fuego lento	
Salsa delicada, p. ej., salsa bechamel	Medio bajo a medio
Salsa para espagueti	Bajo a medibajo
Estofados	Medio bajo a medio
Pescado*	Medio bajo a medio
Cocinar	
Arroz (con el doble de cantidad de agua)	Medio bajo
Papas cocidas con piel y con 1 o 2 tazas de agua	Medio bajo a medio
Papas cocidas con 1 o 2 tazas de agua	Medio bajo a medio
Verduras frescas con 1 o 2 tazas de agua	Medio bajo a medio
Verduras congeladas con 1 o 2 tazas de agua	Medio bajo a medio
Pastas (2 a 4 cuartos de agua)*	Medio bajo a medio
Budín**	Bajo
Cereales	Medio bajo
Freír	
Chuleta de cerdo	Medio
Pechuga de pollo	Medio bajo a medio
Tocino	Medio
Huevos	Medio bajo a medio
Pescado	Medio bajo a medio
Hot cakes	Medio
Alimentos fritos con abundante aceite** (en 1 a 2 cuartos de aceite)**	
Alimentos congelados; p. ej., nuggets de pollo (0.5 libras/aprox. 225 g por porción)	Medio alto a Alto
Otros; p. ej., donas (0.5 libras/aprox. 225 g por porción)	Medio

* cocción en curso sin tapa

** sin tapa

Limpieza y Mantenimiento

Limpieza diaria

Nota: Los productos de limpieza recomendados hacen referencia a un tipo de limpiador y no significan que sea obligatorio utilizar una marca específica.

Placa de cocción vitrocerámica

▲ ATENCION

No aplique ningún producto de limpieza sobre el cristal mientras esté caliente. Utilice únicamente la cuchilla limpiacristales. Los humos que se generarían pueden ser peligrosos para la salud. Además, el producto de limpieza caliente puede agredir y dañar la superficie.

Limpie la superficie cuando se haya enfriado completamente, salvo para la siguiente excepción: limpie el azúcar caramelizado, el sirope de azúcar, las salsas de tomate y la leche inmediatamente utilizando la cuchilla limpiacristales (véase la tabla de cuidados especiales).

Limpie las salpicaduras con una esponja húmeda limpia o papel de cocina. Lave y seque. Si la mancha persiste, utilice vinagre blanco; lave.

Aplique una pequeña cantidad de limpiador para placas de vitrocerámica. Una vez seco, frote la superficie con un paño o papel de cocina limpio.

Molduras laterales de acero inoxidable

Use una fibra cuando haga la limpieza. Para suciedad moderada o abundante, usar un limpiador en polvo tal como BonAmi® o Soft Scrub® (sin cloro).

Limpie usando una esponja húmeda o un trapo, enjuague y seque.

Pautas de limpieza

Utilice únicamente pequeñas cantidades de producto de limpieza; aplíquelo sobre una toallita de papel o un paño limpios. Frote la superficie y luego púlala con una toallita de papel seca.

Para obtener los mejores resultados, utilice limpiadores para placas de vitrocerámica, como por ejemplo BonAmi® o Soft Scrub® (sin lejía), y vinagre blanco.

Evite estos productos de limpieza

- Limpiacristales que contengan amoníaco o lejía de cloro. Estos ingredientes pueden provocar daños o manchas irreparables en la placa de cocción.
- Limpiadores cáusticos. Productos como Easy Off® pueden manchar la superficie de la placa de cocción.
- Limpiadores abrasivos.
- Los estropajos metálicos y los estropajos abrasivos, como por ejemplo Scotch Brite®, pueden provocar arañazos y/o dejar marcas metálicas.
- Los estropajos con detergente integrado, como SOS®, pueden rayar la superficie.
- Los limpiadores en polvo con lejía de cloro pueden provocar manchas irreparables en la placa de cocción.
- Limpiadores inflamables, como el líquido de mecheros o WD-40.

Tablas de limpieza

Tipo de suciedad	Posible solución
Azúcar caramelizado, sirope de azúcar, leche o salsas de tomate. Películas o láminas de plástico fundidas. Este tipo de suciedades DEBEN LIMPIARSE INMEDIATAMENTE. Si no se limpian inmediatamente, podrían provocar daños permanentes en la superficie.	Limpie este tipo de manchas mientras la superficie todavía esté caliente utilizando la cuchilla limpiacristales. Utilice una cuchilla nueva. Extraiga la sartén y apague el aparato. Póngase una manopla y sujete la cuchilla en un ángulo de 30° teniendo cuidado de no rayar o arañar el cristal. Empuje la suciedad hacia fuera del área térmica. Cuando la superficie esté fría, limpie los restos de suciedad y aplique un limpiador para placas de vitrocerámica..
▲ ADVERTENCIA	
PELIGRO DE LESIONES La cuchilla está muy afilada. Peligro de daños por cortes. Proteger la cuchilla cuando no se esté utilizando. Reemplazar inmediatamente la cuchilla cuando presente desperfectos.	
Restos de comida pegados, rayas oscuras y manchas	Coloque una toallita de papel o una esponja húmedas encima de la mancha durante 30 minutos para ablandarla. Utilice un rascador de plástico y limpiador para placas de vitrocerámica o utilice la cuchilla limpiacristales. Lave y seque.
Salpicaduras grasientas	Limpie la grasa con un paño o una esponja con detergente; Lave completamente y seque. Aplique limpiador para placas de vitrocerámica.
Marcas de metal: manchas iridiscentes	Es posible que las sartenes con bases de aluminio, cobre o acero inoxidable dejen marcas. Trátelas inmediatamente con limpiador para placas de vitrocerámica cuando la superficie esté fría. Si las marcas no desaparecen, intente utilizar un limpiador abrasivo débil (Bon Ami®, Soft Scrub® sin lejía) y una toallita de papel húmeda. Lave y vuelva a aplicar limpiador para placas de vitrocerámica. Si las marcas metálicas no se limpian antes de volver a calentar la placa, se volverán muy difíciles de quitar.
Manchas profundas de agua: Derrames de líquidos de cocción calientes sobre la superficie	Los minerales de algunas aguas pueden penetrar en la superficie y provocar manchas Utilice vinagre blanco sin diluir, lave y seque. Vuelva a tratar con limpiador para placas de vitrocerámica. Limpie los derrames y las manchas antes de volver a utilizar la placa de cocción.
Arañazos en la superficie: Los arañazos pequeños son normales y no afectan a la cocción. El uso diario de un limpiador para placas de vitrocerámica puede suavizarlos y volverlos menos visibles.	Aplique limpiador para placas de vitrocerámica antes de utilizar la placa para quitar los granitos y las motas, por ejemplo de sal y otros condimentos. Para reducir los arañazos, utilice sartenes con una base suave, limpia y totalmente seca. Utilice el limpiador para placas de vitrocerámica recomendado de manera diaria. AVISO: Los anillos de diamante pueden rayar la superficie.

Mantenimiento

Este aparato no requiere más mantenimiento que la limpieza diaria. Para obtener los mejores resultados, aplique limpiador para placas de vitrocerámica a diario.

Servicio técnico

Cómo obtener el servicio técnico de la garantía

Para obtener el servicio técnico de la garantía de su Producto, debe comunicarse con el servicio técnico autorizado de THERMADOR® más cercano.

Número E y número FD:

Al llamar al servicio técnico, tener preparado el número de modelo (E) y el número FD del electrodoméstico. Puede encontrar la placa de identificación con estos números en la parte inferior del aparato y en el manual del aparato. Para evitar tener que buscar los datos de su aparato cuando los precise, es aconsejable anotarlos aquí conjuntamente con el número de teléfono del Servicio de atención al cliente.

Nº E.	Nº FD.
-------	--------

Servicio de atención al cliente 

¿Tiene preguntas? Comuníquese con nosotros. Esperamos tener noticias suyas pronto.

1-800-735-4328

www.thermador.com

1901 Main Street, Suite 600
Irvine, CA 92614

DECLARACIÓN DE GARANTÍA LIMITADA DEL PRODUCTO

Cobertura de esta garantía y a quiénes se aplica

La garantía limitada otorgada por BSH Home Appliances Corporation ("BSH") en esta Declaración de Garantía Limitada del Producto se aplica únicamente al electrodoméstico THERMADOR® ("Producto") vendido a usted, el primer comprador usuario, siempre que el Producto haya sido comprado:

- Para uso doméstico (no comercial) normal y haya sido utilizado en todo momento únicamente para fines domésticos normales.
- Nuevo en una tienda minorista (que no sea un producto de exhibición, ni un producto vendido "en las condiciones en que se encuentra" ni un modelo devuelto anteriormente) y no esté destinado para reventa ni uso comercial.
- Dentro de los Estados Unidos o Canadá, y permanezca en todo momento dentro del país de compra original.

La garantía descrita aquí es válida para el comprador original del producto cubierto por esta garantía y para todo usuario posterior del producto, adquirido para un uso doméstico, durante el término de la garantía.

Asegúrese de devolver su tarjeta de registro; si bien no es necesario para hacer efectiva la cobertura de la garantía, es la mejor manera para que BSH le notifique en el caso poco probable de que se emita un aviso de seguridad o se retire del mercado un producto.

Duración de la garantía

BSH garantiza que el producto está exento de defectos de materiales y mano de obra por un período de setecientos treinta (730) días desde la fecha de compra. El período mencionado precedentemente empieza a contarse en la fecha de compra y no se interrumpe, demora, amplía ni suspende por ninguna razón.

También se garantiza que este Producto no presenta defectos *estéticos* en el material ni en la mano de obra (como rayas en el acero inoxidable, imperfecciones en la pintura/porcelana, astillas, abolladuras ni ningún otro daño en el acabado del Producto) durante un período de sesenta (60) días desde la fecha de compra o fecha de cierre para una nueva construcción. Se excluyen de esta garantía por defectos *estéticos* las variaciones leves de color que se deban a diferencias inherentes a las piezas pintadas y de porcelana, así como diferencias provocadas por la iluminación de la cocina, la ubicación del producto u otros factores similares. Se excluye específicamente de esta garantía por defectos *estéticos* cualquier electrodoméstico en exposición, de piso, vendido "en el estado en que se encuentra" o de segunda selección.

Reparación/reemplazo como único recurso

Durante el período de esta garantía, BSH o uno de sus proveedores de servicio técnico autorizados reparará su Producto sin cargo para usted (con sujeción a determinadas limitaciones especificadas en el presente) si se prueba que su Producto ha sido fabricado con un defecto en los materiales o en la mano de obra. Si se ha

intentado de manera razonable reparar el Producto sin éxito, BSH reemplazará su Producto (es posible que usted tenga disponibles modelos mejorados, a entera discreción de BSH, por un cargo adicional). Todas las piezas y los componentes extraídos serán propiedad de BSH, a su entera discreción. Todas las piezas reemplazadas y/o reparadas se considerarán como la pieza original a los fines de esta garantía, y esta garantía no se extenderá con respecto a dichas piezas. En virtud del presente, la única y exclusiva responsabilidad y obligación de BSH es únicamente reparar el Producto defectuoso de fábrica, a través de un proveedor de servicio técnico autorizado por BSH durante el horario normal de oficina. Por cuestiones de seguridad y daños materiales, BSH recomienda categóricamente que no intente reparar el Producto usted mismo ni use un centro de servicio técnico no autorizado; BSH no tendrá responsabilidad ni obligación alguna por las reparaciones o trabajos realizados por un centro de servicio técnico no autorizado. Si usted prefiere que una persona que no es un proveedor de servicio técnico autorizado trabaje en su Producto, ESTA GARANTÍA SE ANULARÁ AUTOMÁTICAMENTE. Los proveedores de servicio técnico autorizados son aquellas personas o compañías que han sido especialmente capacitadas para manejar los productos de BSH y que tienen, según el criterio de BSH, una reputación superior de servicio al cliente y capacidad técnica (debe tener en cuenta que son entidades independientes y no son agentes, socios, afiliados ni representantes de BSH). Sin perjuicio de lo que antecede, BSH no tendrá responsabilidad ni obligación alguna por el Producto que se encuentre en un área remota (a más de 100 millas de un proveedor de servicio técnico autorizado) o en un lugar, área circundante o entorno que no sea accesible por medios razonables o que sea peligroso, hostil o arriesgado; en cualquier caso, a su solicitud, BSH de todas maneras pagará por la mano de obra y las piezas, y enviará las piezas al proveedor de servicio técnico autorizado más cercano, pero usted seguirá siendo totalmente responsable por el tiempo de viaje y demás cargos especiales de la compañía de servicio técnico, suponiendo que acepte hacer la visita de servicio técnico.

Producto fuera de garantía

BSH no tiene obligación alguna, en virtud de la ley o por otro motivo, de otorgarle ninguna concesión, incluidos reparaciones, prorrates o reemplazo del Producto, con posterioridad al vencimiento de la garantía.

Exclusiones de la garantía

La cobertura de garantía descrita en el presente excluye todos los defectos o daños que no fueron provocados directamente por BSH, incluidos, entre otros, alguno de los siguientes:

- Uso del Producto de maneras distintas del uso normal, habitual y previsto (incluidos, entre otros, cualquier forma de uso comercial, uso o almacenamiento en exteriores de un producto diseñado para interiores, uso del Producto en aeronaves o embarcaciones).

- Conducta indebida, negligencia, uso indebido, abuso, accidentes, descuido, operación inadecuada, omisión de mantener, instalación inadecuada o negligente, adulteración, omisión de seguir las instrucciones de operación, manipulación inadecuada, servicio técnico no autorizado (incluidos "arreglos" o exploración de los mecanismos internos del electrodoméstico realizados por uno mismo) por parte de cualquier persona.
- Ajuste, alteración o modificación de cualquier tipo.
- Incumplimiento de los códigos, reglamentaciones o leyes de electricidad, plomería y/o construcción locales, municipales o de condado, incluida la omisión de instalar el producto cumpliendo estrictamente con los códigos y reglamentaciones locales de construcción y protección contra incendios.
- Desgaste habitual, derrames de alimentos, líquidos, acumulaciones de grasa u otras sustancias que se acumulen sobre, dentro o alrededor del Producto.
- Y cualquier fuerza y factor externo, elemental y/o ambiental, incluidos, entre otros, lluvia, viento, arena, inundaciones, incendios, aludes de lodo, temperaturas bajas extremas, humedad excesiva o exposición prolongada a la humedad, rayos, sobrecargas eléctricas, fallas estructurales alrededor del electrodoméstico y caso fortuito.

En ningún caso, BSH tendrá responsabilidad ni obligación alguna por los daños ocasionados a los bienes circundantes, incluidos los gabinetes, pisos, techos y demás estructuras u objetos que se encuentren alrededor del producto. También se excluyen de esta garantía productos en los cuales los números de serie hayan sido alterados, modificados o eliminados; visitas del servicio técnico para enseñarle a usar el Producto o visitas en las que se determine que no hay ningún problema con el Producto; corrección de los problemas de instalación (usted es el único responsable de cualquier estructura y soporte del Producto, incluidas las instalaciones de electricidad y plomería o demás instalaciones de conexión, de la correcta instalación en bases/pisos y de cualquier alteración, incluidos, entre otros, gabinetes, paredes, pisos, repisas, etc.); y el restablecimiento de disyuntores o fusibles.

EN LA MEDIDA PERMITIDA POR LA LEY, ESTA GARANTÍA ESTABLECE SUS RECURSOS EXCLUSIVOS CON RESPECTO AL PRODUCTO, INDEPENDIENTEMENTE DE QUE LA RECLAMACIÓN SEA CONTRACTUAL O EXTRA CONTRACTUAL (INCLUIDA LA RESPONSABILIDAD OBJETIVA O LA NEGLIGENCIA), O DE CUALQUIER OTRO MODO. ESTA GARANTÍA REEMPLAZA TODAS LAS DEMÁS GARANTÍAS EXPRESAS O IMPLÍCITAS. LAS GARANTÍAS IMPLÍCITAS POR LEY, YA SEA DE COMERCIABILIDAD O APTITUD PARA UN FIN ESPECÍFICO, O DE CUALQUIER OTRO TIPO, TENDRÁN VIGENCIA ÚNICAMENTE POR EL PERÍODO DE VIGENCIA DE LA PRESENTE GARANTÍA LIMITADA EXPRESA. EN NINGÚN CASO, EL FABRICANTE SERÁ RESPONSABLE POR LOS DAÑOS CONSECUENTES, ESPECIALES, INCIDENTALES, INDIRECTOS, POR "PÉRDIDAS COMERCIALES" Y/O DAÑOS PUNITIVOS, PÉRDIDAS O GASTOS, INCLUIDOS, ENTRE OTROS, TIEMPO FUERA DEL TRABAJO, HOTELES Y/O

COMIDAS EN RESTAURANTES, GASTOS DE REMODELACIÓN QUE SUPEREN LOS DAÑOS DIRECTOS, QUE DEFINITIVAMENTE HAYAN SIDO CAUSADOS DE MANERA EXCLUSIVA POR BSH O DE OTRO MODO. ALGUNOS ESTADOS NO PERMITEN LA EXCLUSIÓN O LIMITACIÓN DE DAÑOS INCIDENTALES O CONSECUENTES, Y ALGUNOS ESTADOS NO PERMITEN LIMITACIONES CON RESPECTO AL PLAZO DE VIGENCIA DE UNA GARANTÍA IMPLÍCITA; POR LO

TANTO, ES POSIBLE QUE LAS LIMITACIONES PRECEDENTES NO SE APLIQUEN. ESTA GARANTÍA LE OTORGA DERECHOS LEGALES ESPECÍFICOS, Y TAMBIÉN PUEDEN CORRESPONDERLE OTROS DERECHOS QUE PUEDEN VARIAR SEGÚN EL ESTADO. Ningún intento de alterar, modificar o enmendar la presente garantía entrará en vigencia, a menos que fuera autorizado por escrito por un ejecutivo de BSH.

Soporte técnico de THERMADOR®

Servicio técnico

Sabemos que usted ha realizado una inversión considerable en su cocina. Nos dedicamos a brindar apoyo técnico para usted y su electrodoméstico de manera que tenga muchos años de cocina creativa.

No dude en comunicarse con nuestro Departamento de Atención al Cliente de STAR® si tiene alguna pregunta o en el caso poco probable de que su electrodoméstico THERMADOR® necesite servicio técnico. Nuestro equipo de servicio técnico está listo para asistirlo.

EE. UU.

800-735-4328

www.thermador.com/support

Canadá

800-735-4328

www.thermador.ca

Piezas y accesorios

Puede comprar piezas, filtros, productos para eliminar el sarro, limpiadores para acero inoxidable y más artículos en la tienda electrónica de THERMADOR® o por teléfono.

EE. UU.

<http://store.thermador.com/us>

Canadá

- Si usted vive en alguna de las provincias atlánticas, Ontario o Quebec: contacte el

Marcone

1-800-287-1627

- Si usted vive en algún territorio, Manitoba, Saskatchewan, Alberta o Columbia Británica: contacte el

Reliable Parts

1-800-663-6060



1901 MAIN STREET, SUITE 600 IRVINE, CA 92614 // 1-800-735-4328 // WWW.THERMADOR.COM

© 2018 BSH HOME APPLIANCES CORPORATION

90 0124 3448 en-us, es-mx, fr-ca 981217