

UW-24/S



## FEATURES

Stainless steel for a classic Sub-Zero look

Two independent temperature zones hold reds and whites at proper serving temperature

Dual evaporators for constant, moderate humidity so corks don't dry out

Textured roller-glide shelves for access without agitating wine

UV-resistant glass door protects against premature wine aging

Intuitive control panel keeps temps within one degree of set point

Brighter LED lighting makes finding bottles easy

Inventory tile system for better organization

Star-K compliant

Rigorously tested in our U.S. manufacturing facilities to ensure decades of use

Exceptional 24/7 support from Madison, WI-based Customer Care team

## ACCESSORIES

Wine inventory tiles-writable

Wine inventory tiles

Dessert Wine Rack

Lock Kit

Undercounter Silver Kickplate

Undercounter Door Lock Kit

Dual Installation Kit

Undercounter Dual Lock Kit

Undercounter Black Dual Kickplate

Silver Dual Kickplate

Undercounter Solid Overlay Door

Accessories are available through an authorized Sub-Zero dealer. For local dealer information, visit [subzero-wolf.com/locator](http://subzero-wolf.com/locator).



## HANDLE OPTIONS

PRO



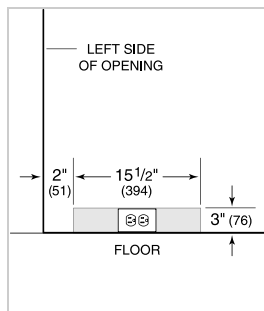
TUBULAR



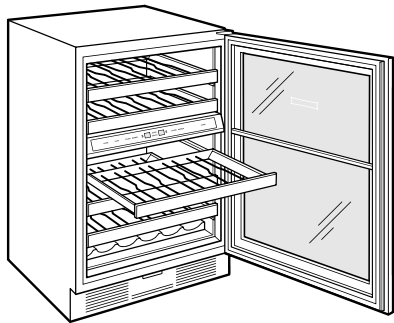
**PRODUCT SPECIFICATIONS**

Model	UW-24/S
Dimensions	23 7/8"W x 34"H x 24"D
Door Clearance	25 3/8"
Weight	195 lb
Electrical Supply	115 VAC, 60 Hz
Electrical Service	15 amp dedicated circuit
Wine Storage Capacity	46 bottles
Receptacle	3-prong grounding-type

**ELECTRICAL**

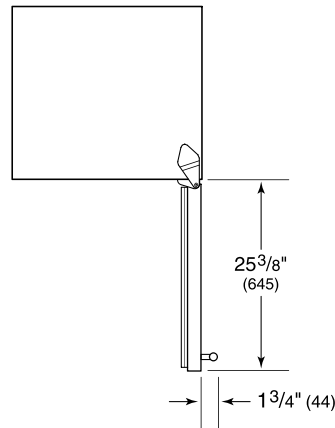
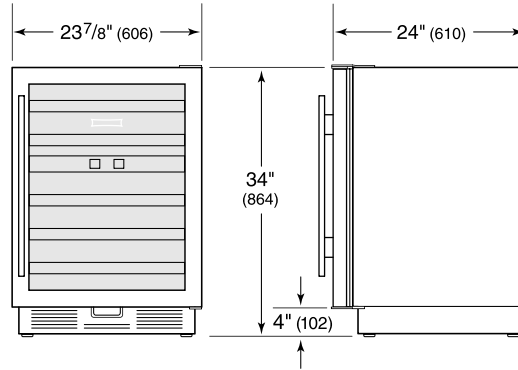


**INTERIOR VIEW**



This illustration is intended for interior reference only and may not represent the exterior of the model being specified.

**DIMENSIONS**



**STANDARD INSTALLATION**

