



## Wine Storage Use & Care Guide



## Contents

- 4 Wine Storage Features
- 5 Electronic Controls
- 6 Storage
- 7 Operation
- 8 Care Recommendations
- 9 Troubleshooting
- 11 Sub-Zero Warranty

### CALIFORNIA PROPOSITION 65

**⚠ WARNING**

This product may contain chemicals known to the state of California to cause cancer or reproductive harm.

## Customer Care

The model and serial number are printed on the enclosed product registration card. Both numbers are also listed on the product rating plate. Refer to page 4 for rating plate location. For warranty purposes, you will also need the date of installation and name of your authorized Sub-Zero dealer. Record this information below for future reference.

If your product ever needs attention, be sure to use a Sub-Zero factory certified service provider recommended by our customer care center, or select one from our list of providers available at [subzero.com/locator](http://subzero.com/locator). All factory certified service providers are carefully selected and thoroughly trained by us.

**SERVICE INFORMATION**

Model Number

Serial Number

Date of Installation

Certified Service Name

Certified Service Number

Authorized Dealer

Dealer Number

## Important Note

To ensure this product is installed and operated as safely and efficiently as possible, take note of the following types of highlighted information throughout this guide:

**IMPORTANT NOTE** highlights information that is especially important.

**CAUTION** indicates a situation where minor injury or product damage may occur if instructions are not followed.

**WARNING** states a hazard that may cause serious injury or death if precautions are not followed.

**IMPORTANT NOTE:** Throughout this guide, dimensions in parentheses are millimeters unless otherwise specified.

## Thank You

Thank you for your purchase. We look forward to being part of your home for decades to come. As a third-generation family-owned company, we take a very personal stake in the preservation of your family's food. We built our business and our reputation on helping families serve the freshest food possible.

With your purchase, you receive one of the strongest warranties in the appliance industry. Take a moment to read the full warranty statement on page 11. It's also important to register your Sub-Zero to ensure that you don't miss out on exclusive owner benefits, such as; assurance that you will be taken care of in the unlikely event that service becomes necessary during the warranty period, and a proof-of-purchase record in case of a home insurance claim. You may register by one of the following options:

- Mail in the completed Sub-Zero product registration card.
- Register online at [subzero.com/register](https://subzero.com/register) and create a personalized My Sub-Zero/Wolf account using the serial number on your product.
- Register by phone by calling Sub-Zero Customer Care at 800-222-7820.

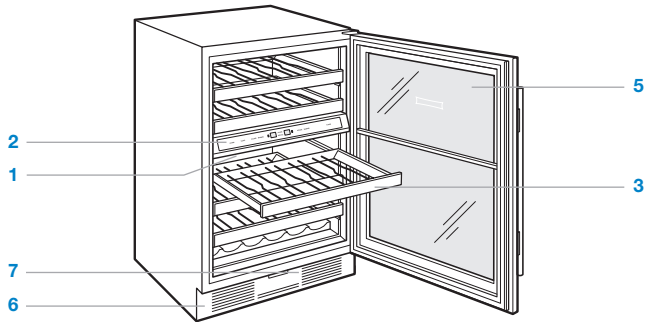
As a Sub-Zero owner, you can count on ongoing support, day in and day out. Our customer care center is available 24 hours a day, seven days a week and staffed by knowledgeable product experts at our factory in Madison, Wisconsin. Should the need arise, simply call 800-222-7820 and speak with one of our product experts. They will help troubleshoot any issues you might have.

We are confident this guide will answer your questions about the features, operation, and maintenance of your Sub-Zero, but if you have additional questions, please contact us at 800-222-7820 or visit us online at [subzero.com](https://subzero.com).

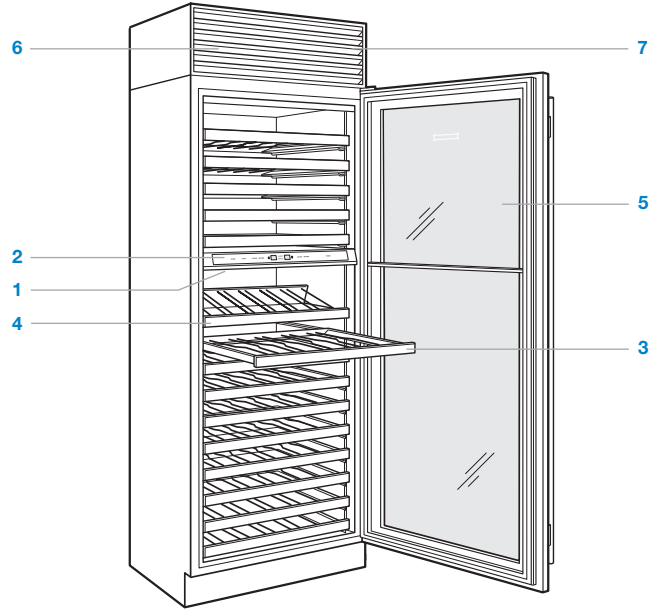


### Wine Storage Features

FEATURE	
1	Product Rating Plate
2	Electronic Control Panel and Display
3	Wine Storage Racks
4	Display Rack (Model BW-30)
5	Full-View Glass Door
6	Home Security System
7	Condenser (behind kickplate or grille)





Model UW-24.

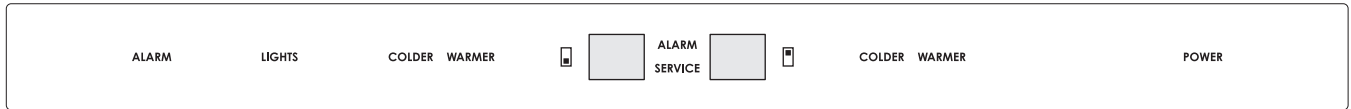


Model BW-30.

## Control Panel

FUNCTION	
<b>ALARM</b>	Activates or deactivates temperature alarm. An audible chime indicates temperature is below 32°F (0°C) or 15°F (8°C) above the set temperature.
<b>LIGHTS</b>	Turns accent lighting on or off.
<b>COLDER WARMER</b>	Adjusts temperature in one-degree increments. Two distinct temperature zones have separate temperature controls. Temperatures are preset at 45°F (7°C) and 55°F (13°C).
<b>POWER</b>	Turns unit on or off. Turning power off at the control panel eliminates the need to unplug or turn power off at the circuit breaker during service or extended vacations.

INDICATOR	
	Indicates lower temperature zone.
	Indicates upper temperature zone.
<b>ALARM</b>	Illuminates when temperature alarm is activated.
<b>SERVICE</b>	Illuminates when a temperature problem has been detected, or if condenser needs to be cleaned.



Control panel.

## Wine Storage

### WINE RACKS

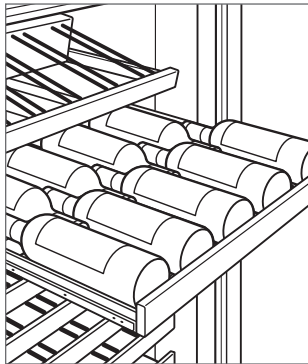
The full-extension (three-quarter extension for model UW-24) racks provide easy access to 750 ml, half-bottles and magnums. Refer to the illustration below for proper bottle arrangement. When storing magnums, the rack above must be removed.

To remove a wine rack, pull out to full extension, tilt up, then lift up and out. Refer to the illustration below.

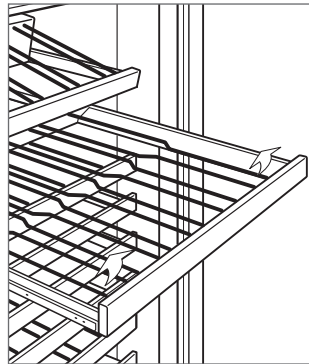
The natural cherrywood facing on wine racks can be stained or replaced with wood to compliment cabinetry. For more information, refer to the Sub-Zero design guide, visit our website at [subzero.com](http://subzero.com) or contact Sub-Zero customer care at 800-222-7820.

**⚠ CAUTION**

Remove all bottles from the wine rack before removal.



Bottle arrangement.

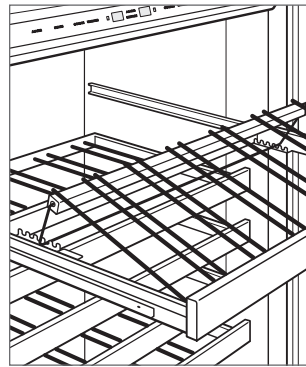


Wine rack removal.

### DISPLAY RACK (MODEL BW-30)

Model BW-30 features an illuminated display rack. The adjustable display rack is designed for wine to stay in contact with the cork at any position. Refer to the illustration below.

To remove the display rack, pull out to full extension, tilt up, then lift up and out.



Display rack.



## Sabbath

This appliance is certified by Star-K to meet strict religious regulations in conjunction with specific instructions found on [www.star-k.org](http://www.star-k.org).

To initiate Sabbath mode, while the unit is on, touch POWER on the control panel, then touch and hold POWER for 10 seconds. This will turn the unit on with lights disabled. To return to normal operating conditions, touch POWER.

## Cleaning

### INTERIOR CLEANING

To clean interior surfaces and all removable parts, wash with a mild solution of soap, water and baking soda. Rinse and dry thoroughly. Avoid getting water on lights, control panel and the cherrywood facing on wine racks.

Use a standard glass cleaner to clean the UV-resistant glass door.

#### ⚠ CAUTION

Do not use vinegar, rubbing alcohol or other alcohol-based cleaners on any interior surface.

### STAINLESS STEEL EXTERIOR

Use a nonabrasive stainless steel cleaner and apply with a soft lint-free cloth. To bring out the natural luster, lightly wipe surface with a water-dampened microfiber cloth followed by a dry polishing chamois. Always follow the grain of stainless steel.

### CONDENSER CLEANING

#### ⚠ CAUTION

Before cleaning the condenser, turn power off at the control panel. Wear gloves to avoid injury from sharp condenser fins.

**Models UW-24 and UW-24FS** | The condenser is located at the bottom of the unit, behind the kickplate. To access, remove the kickplate. Refer to the illustration below.

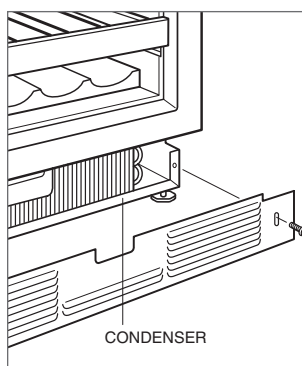
**Model BW-30** | The condenser is located behind the flip-up grille. To access, pull out on the bottom edge of the grille and rotate upward. Refer to the illustration below.

Use a soft bristle brush and vacuum to remove dust and lint from the condenser. Clean the condenser every three to six months.

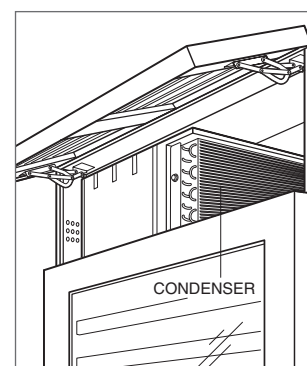
**IMPORTANT NOTE:** To avoid damaging the condenser, vacuum in the direction of the fins.

#### ⚠ CAUTION

Failure to clean the condenser could result in temperature loss, mechanical failure or damage.



Models UW-24 and UW-24FS.



Model BW-30.



## Troubleshooting

### SERVICE INDICATOR

'SERVICE' flashes in control panel display.

- Verify condenser is clean.
- Turn unit off at the control panel, then on. If indicator continues to flash, contact Sub-Zero factory certified service.

### UNIT OPERATION

**No lights or cooling.**

- Verify power is on.
- Verify electrical power to unit and home circuit breaker is on.

**No lights.**

- Door may have been left ajar which has disabled lights to eliminate excess heat. If lights are out, close door for one hour. If lights are still out, contact Sub-Zero factory certified service.
- Cabinet lighting must be replaced by Sub-Zero factory certified service.

**Condensation forms inside unit.**

- Verify condenser is clean.
- Verify door is closing properly.
- Verify door has not been left ajar.
- Verify door gasket does not have rips or tears. If it does, contact Sub-Zero factory certified service.

**High temperatures, unit runs excessively or unit giving off too much heat.**

- Verify condenser is clean.
- Verify door is closing properly.
- Verify door has not been left ajar.
- Increased ambient temperatures may cause compressors to run longer.
- If temperature display shows 45° and 55°, but is not cooling, unit may be in showroom mode. Contact Sub-Zero Customer Care at 800-222-7820.

### ODOR

- Unit should be cleaned before using for the first time. This will clear any odors that may have been trapped during shipping.

### Service

- Maintain the quality built into your product by contacting Sub-Zero factory certified service. For the name of the nearest Sub-Zero factory certified service, check the contact & support section of our website, [subzero.com](http://subzero.com) or call Sub-Zero customer care at 800-222-7820.
- When contacting service, you will need the model and serial number of your unit. Both numbers are listed on the product rating plate. Refer to page 4 for rating plate location.
- For warranty purposes, you will also need the date of installation and name of your authorized Sub-Zero dealer. This information should be recorded on page 2.

## Sub-Zero Residential Limited Warranty

FOR RESIDENTIAL USE

### FULL TWO YEAR WARRANTY\*

For two years from the date of original installation, this Sub-Zero product warranty covers all parts and labor to repair or replace, under normal residential use, any part of the product that proves to be defective in materials or workmanship. All service provided by Sub-Zero under the above warranty must be performed by Sub-Zero factory certified service, unless otherwise specified by Sub-Zero, Inc. Service will be provided during normal business hours.

### FULL FIVE YEAR SEALED SYSTEM WARRANTY

For five years from the date of original installation, this Sub-Zero product warranty covers all parts and labor to repair or replace, under normal residential use, these parts that prove to be defective in materials or workmanship: compressor, condenser, evaporator, drier and all connecting tubing. All service provided by Sub-Zero under the above warranty must be performed by Sub-Zero factory certified service, unless otherwise specified by Sub-Zero, Inc. Service will be provided during normal business hours.

### LIMITED TWELVE YEAR SEALED SYSTEM WARRANTY

For twelve years from the date of original installation, Sub-Zero will repair or replace the following parts that prove to be defective in materials or workmanship: compressor, condenser, evaporator, drier and all connecting tubing. If the owner uses Sub-Zero factory certified service, the service provider will repair or replace these parts with the owner paying for all other costs, including labor. If the owner uses non-certified service, the owner must contact Sub-Zero, Inc. (using the information below) to receive repaired or replacement parts. Sub-Zero will not reimburse the owner for parts purchased from non-certified service or other sources.

### TERMS APPLICABLE TO EACH WARRANTY

The warranty applies only to products installed for normal residential use. The warranty applies only to products installed in any one of the fifty states of the United States, the District of Columbia or the ten provinces of Canada. This warranty does not cover any parts or labor to correct any defect caused by negligence, accident or improper use, maintenance, installation, service or repair.

**THE REMEDIES DESCRIBED ABOVE FOR EACH WARRANTY ARE THE ONLY ONES THAT SUB-ZERO, INC. WILL PROVIDE, EITHER UNDER THIS WARRANTY OR UNDER ANY WARRANTY ARISING BY OPERATION OF LAW. SUB-ZERO, INC. WILL NOT BE RESPONSIBLE FOR ANY CONSEQUENTIAL OR INCIDENTAL DAMAGES ARISING FROM THE BREACH OF THIS WARRANTY OR ANY OTHER WARRANTY, WHETHER EXPRESS, IMPLIED OR STATUTORY.**

Some states do not allow the exclusion or limitation of incidental or consequential damages, so the above limitation or exclusion may not apply to you. This warranty gives you specific legal rights and you may also have other legal rights that vary from state to state.

To receive parts and/or service and the name of Sub-Zero factory certified service nearest you, contact Sub-Zero, Inc., P.O. Box 44848, Madison, WI 53744; check the contact & support section of our website, [subzero.com](http://subzero.com), email us at [customerservice@subzero.com](mailto:customerservice@subzero.com) or call 800-222-7820.

\*Stainless steel (doors, panels, handles, product frames and interior surfaces) are covered by a limited 60-day parts and labor warranty for cosmetic defects.

\*Replacement water filters and air purification cartridges are not covered by the product warranty.



## Contenido

- 4 Funciones de la unidad para almacenamiento de vinos
- 5 Controles electrónicos
- 6 Almacenamiento
- 7 Operación
- 8 Recomendaciones de cuidado
- 9 Resolución de problemas
- 11 Garantía de Sub-Zero

## PROPUESTA 65 DE CALIFORNIA

### ADVERTENCIA

Este producto puede contener químicos que el estado de California considera que causan cáncer o daños reproductivos.

## Atención al cliente

El modelo y número de serie están impresos en la tarjeta de registro del producto adjunta. Los dos números también aparecen en la placa de datos del producto. Consulte la página 4 para encontrar la placa de datos. Para fines de la garantía, usted también necesitará la fecha de instalación y el nombre de su distribuidor autorizado de Sub-Zero. Anote esta información abajo para referencia futura.

Si su producto alguna vez necesita servicio, asegúrese de usar un proveedor de servicios certificado por Sub-Zero y recomendado por nuestro centro de atención al cliente, o seleccione uno de nuestra lista de proveedores disponibles en [subzero.com/locator](http://subzero.com/locator). Todos los proveedores de servicio certificados de fábrica han sido cuidadosamente seleccionados y entrenados a fondo por nosotros.

### INFORMACIÓN PARA SERVICIO

Número de modelo

Número de serie

Fecha de instalación

Nombre de servicio certificado

Número de servicio certificado

Distribuidor autorizado

Número de distribuidor

## Aviso importante

Para garantizar que este producto sea instalado y operado de la forma más segura y eficiente posible, tome nota de los siguientes tipos de información resaltada en esta guía:

**AVISO IMPORTANTE** resalta la información que es especialmente importante.

**PRECAUCIÓN** indica una situación en la que se pueden sufrir heridas leves o provocar daños al producto si no se siguen las instrucciones.

**ADVERTENCIA** indica peligro de que se produzcan heridas graves o incluso la muerte si no se siguen las precauciones.

**AVISO IMPORTANTE:** En toda esta guía, las dimensiones entre paréntesis son milímetros, a menos que se especifique lo contrario.

## Gracias

Muchas gracias por su compra. Esperamos poder ser parte de su hogar durante las décadas venideras. Como una empresa familiar de tercera generación, tenemos un interés muy personal en conservar los alimentos de su familia. Hemos construido nuestro negocio y nuestra reputación al ayudar a las familias a servir la comida más fresca posible.

Con su compra, usted recibe una de las garantías más sólidas en la industria de los electrodomésticos. Lea la declaración de garantía completa de la página 11. También es importante que registre su Sub-Zero para asegurarse de no perder los beneficios de propietario exclusivo, como por ejemplo, la garantía de que va a recibir atención en el improbable caso de que necesite servicio durante el periodo de garantía, y un registro de prueba de compra en caso de una reclamación sobre el seguro de vivienda. Puede registrarse mediante una de las siguientes opciones:

- Envíe la tarjeta de registro del producto completada a Sub-Zero.
- Regístrese en línea en [subzero.com/register](https://subzero.com/register) y cree una cuenta personal en My Sub-Zero/Wolf con el número de serie de su producto.
- Regístrese por teléfono llamando a la línea de atención al cliente de Sub-Zero al 800-222-7820.

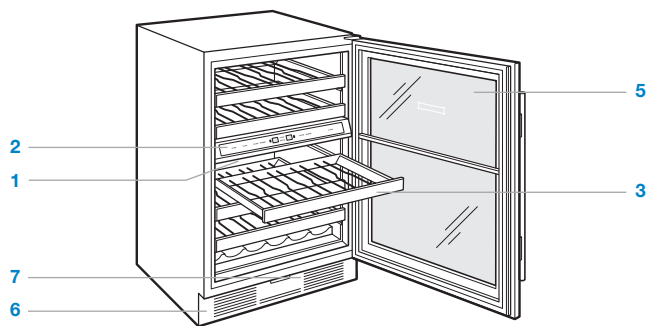
Como propietario de un Sub-Zero, puede contar con soporte técnico constante, día tras día. Nuestro centro de atención al cliente está disponible 24 horas al día, los siete días a la semana, y compuesto por expertos conocedores del producto en nuestra fábrica en Madison, Wisconsin. En caso necesario, simplemente llame al 800-222-7820 y hable con uno de los expertos de nuestros productos. Ellos le ayudarán a solucionar cualquier problema que pueda tener.

Estamos seguros de que esta guía contestará sus preguntas acerca de las características, funcionamiento y mantenimiento de su Sub-Zero, pero si usted tiene preguntas adicionales, por favor póngase en contacto con nosotros en el 800-222-7820 o visítenos en línea en [subzero.com](https://subzero.com).

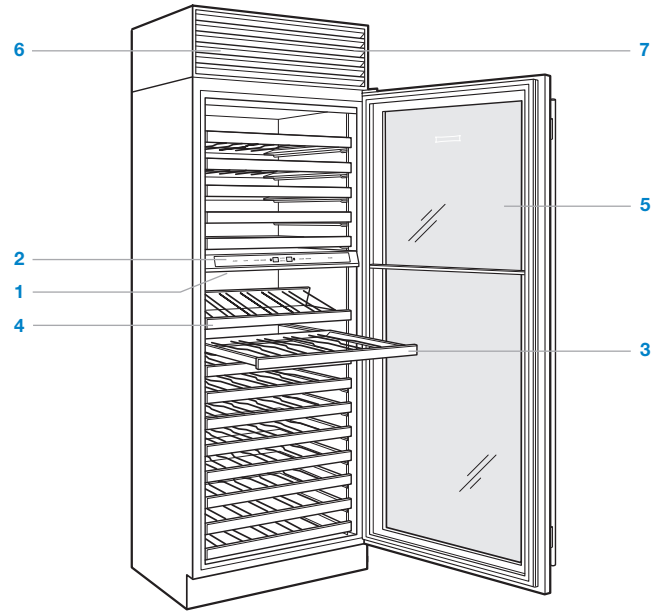


## Funciones de la unidad para almacenamiento de vinos

CARACTERÍSTICA	
1	Placa de datos del producto
2	Panel de control y pantalla electrónica
3	Estantes para almacenamiento de vinos
4	Estante para exhibición (Modelo BW-30)
5	Puerta de cristal de vista completa
6	Sistema de seguridad para el hogar
7	Condensador (detrás del zócalo o de la rejilla)





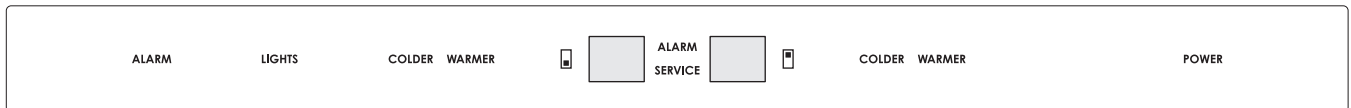
Modelo UW-24.



Modelo BW-30.

## Panel de control

FUNCIÓN		INDICADOR	
<b>ALARM (ALARMA)</b>	Activa o desactiva la alarma de temperatura. Un sonido de campanilla indica que la temperatura está por debajo de los 32°F (0°C) o 15°F (8°C) por encima de la temperatura establecida.		Indica zona de temperatura más baja.
<b>LIGHTS (LUCES)</b>	Enciende o apaga la luz de acento.		Indica zona de temperatura superior.
<b>COLDER WARMER (MÁS FRÍO MÁS TEMPLADO)</b>	Ajusta la temperatura en incrementos de un grado. Dos distintas zonas de temperatura tienen controles de temperatura separados. Las temperaturas están fijadas previamente en 45°F (7°C) y 55°F (13°C).	<b>ALARM (ALARMA)</b>	Se ilumina cuando se activa la alarma de temperatura.
<b>POWER (ALIMENTACION)</b>	Enciende o apaga la unidad. Desactivar la alimentación en el panel de control elimina la necesidad de desconectar la unidad o de apagar el suministro eléctrico en el disyuntor durante el servicio o las vacaciones prolongadas.	<b>SERVICE (SERVICIO)</b>	Se ilumina cuando un problema de temperatura ha sido detectado, o cuando es necesario limpiar el condensador.



Panel de control.

## Almacenamiento de vinos

### ESTANTES PARA VINO

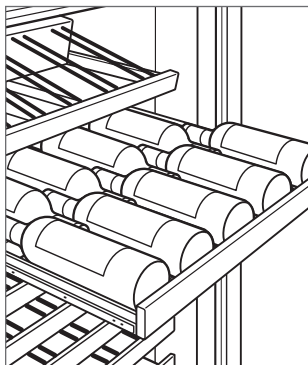
Los estantes de extensión completa (extensión de tres cuartos para el modelo de la UW-24) permiten un fácil acceso a botellas de 750 ml, medias botellas y magnas. Consulte la ilustración para acomodar las botellas adecuadamente. Cuando se almacenen botellas magnas (dobles) se debe retirar el estante superior.

Para retirar un estante para almacenar vinos, extiéndalo completamente, inclínelo hacia arriba, luego levántelo hacia arriba y hacia afuera. Consulte la siguiente ilustración.

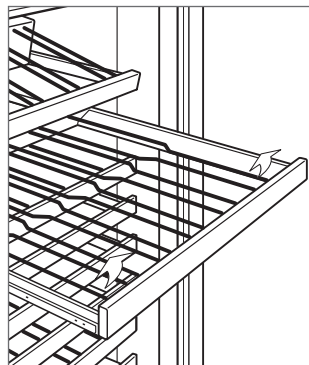
El revestimiento de madera de cerezo en los estantes para almacenar vinos se puede reemplazar con madera para complementar los gabinetes. Para más información, consulte la guía de diseños de Sub-Zero, visite nuestra página de Internet en [subzero.com](http://subzero.com) o comuníquese a la línea de atención al cliente de Sub-Zero al 800-222-7820.

#### **▲ PRECAUCIÓN**

Retire todas las botellas del estante para almacenar vinos antes de quitar el estante.



Acomodo de botellas.

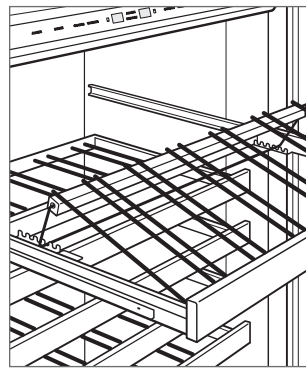


Retiro del estante para vinos.

### ESTANTE PARA EXHIBICIÓN (MODELO BW-30)

El estante de exhibición ajustable está diseñado para que el vino esté en contacto con el corcho en cualquier posición. Consulte la siguiente ilustración.

Para retirar el estante de exhibición, extiéndalo completamente, inclínelo hacia arriba, luego levántelo hacia arriba y hacia fuera.



Estante para exhibición.





## Sabbath

Este electrodoméstico lleva el certificado Star-K que indica que cumple con estrictas normas religiosas junto con instrucciones específicas que aparecen en [www.star-k.org](http://www.star-k.org).

Para iniciar el modo Sabbath, cuando la unidad está encendida, presione el botón POWER (alimentación) en el panel de control. Toque y sostenga el botón POWER durante 10 segundos. Esto encenderá la unidad y las luces quedarán desactivadas. Para regresar a las condiciones normales de funcionamiento, toque el botón POWER.

## Limpieza

### LIMPIEZA INTERIOR

Para limpiar las superficies interiores y todas las piezas móviles, lave con una solución suave de jabón, agua y bicarbonato de sodio. Enjuague y seque completamente. Evite que caiga agua sobre las luces, el panel de control y la madera de cerezo de la cara de los estantes para vinos.

Utilice un limpiador de cristales estándar para limpiar el cristal de la puerta resistente a los rayos ultravioleta.

#### ⚠ PRECAUCIÓN

No utilice vinagre, alcohol ni otros limpiadores a base de alcohol en ninguna superficie interna.

### EXTERIOR DE ACERO INOXIDABLE

Use un limpiador no abrasivo para acero inoxidable y aplique con un paño suave sin pelusa. Para resaltar el lustre natural, limpie suavemente la superficie con una tela de microfibra humedecida con agua, seguida con una gamuza para pulir en seco. Siempre siga la dirección del acabado del acero inoxidable.

### LIMPIEZA DEL CONDENSADOR

#### ⚠ PRECAUCIÓN

Antes de limpiar el condensador, apague la unidad desde el panel de control. Utilice guantes para evitar que las aletas afiladas del condensador puedan provocarle heridas.

**Modelos UW-24 y UW-24FS** | El condensador se encuentra en la parte baja de la unidad, detrás del zócalo. Para tener acceso al mismo, retire el zócalo. Consulte la siguiente ilustración.

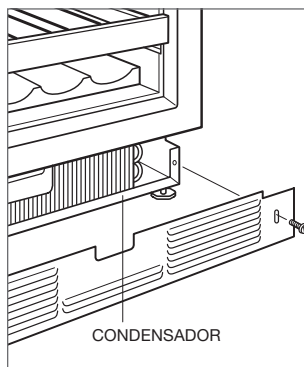
**Modelo BW-30** | El condensador está situado detrás de la rejilla abatible. Para obtener acceso al mismo, jale el borde inferior de la rejilla hacia afuera y gire hacia arriba. Consulte la siguiente ilustración.

Use un cepillo de cerdas suaves y aspire para quitar el polvo y pelusa del condensador. Limpie el condensador cada tres a seis meses.

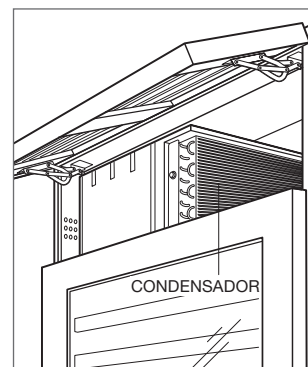
**AVISO IMPORTANTE:** Para evitar que el condensador se dañe, asegúrese de aspirar en dirección de las aletas.

#### ⚠ PRECAUCIÓN

Si no lo limpia, el condensador puede perder la temperatura, o puede producirse un daño o fallo mecánico en el mismo.



Modelos UW-24 y UW-24FS.



Modelo BW-30.

### Resolución de problemas

#### INDICADOR DE SERVICIO

"SERVICE" parpadea en la pantalla del panel de control.

- Compruebe si el área del condensador está limpia.
- Apague la unidad desde el panel de control y después enciéndala. Si el indicador parpadea de nuevo, póngase en contacto con el servicio certificado de fábrica de Sub-Zero.

#### OPERACIÓN DE LA UNIDAD

Las luces no funcionan o no enfría.

- Compruebe si la unidad está encendida.
- Compruebe que la alimentación eléctrica a la unidad y el interruptor de circuito de la casa estén encendidos.

Sin luces.

- La puerta tal vez se dejó abierta, lo cual desactivó las luces para eliminar el exceso de calor. Si las luces están apagadas, mantenga la puerta cerrada durante una hora. Si las luces aún permanecen apagadas, póngase en contacto con el servicio certificado de fábrica de Sub-Zero.
- La iluminación del gabinete debe reemplazarse por un servicio autorizado de fábrica de Sub-Zero.

Se forma condensación dentro de la unidad.

- Compruebe si el condensador está limpio.
- Compruebe si la puerta cierra correctamente.
- Compruebe que la puerta no se haya quedado abierta.
- Compruebe que el empaque de la puerta no tenga rasgaduras ni roturas. En tal caso, póngase en contacto con el servicio certificado de fábrica de Sub-Zero.

Altas temperaturas, la unidad funciona en exceso o la unidad emite demasiado calor.

- Compruebe si el condensador está limpio.
- Compruebe si la puerta cierra correctamente.
- Compruebe que la puerta no se haya quedado abierta.
- El aumento de la temperatura ambiente puede causar que el compresor funcione durante más tiempo.
- Si la pantalla muestra una temperatura de 45° y 55°, pero no enfría, es posible que la unidad esté en modo de sala de exposición. Póngase en contacto con la línea de atención al cliente de Sub-Zero en el 800-222-7820.

#### OLOR

- Debe limpiar la unidad antes de utilizarla por primera vez. Esto eliminará todos los olores que hayan quedado atrapados durante el envío.

### Servicio

- Para mantener la calidad incorporada en su producto, póngase en contacto con el servicio certificado de fábrica de Sub-Zero. Para obtener los datos del centro de servicio autorizado de Sub-Zero más cercano, eche un vistazo a la sección de contacto y servicio técnico en nuestro sitio web, [subzero.com](http://subzero.com) o llame a la línea de atención al cliente de Sub-Zero al 800-222-7820.
- Al comunicarse con el servicio, necesitará el modelo y número de serie de su unidad. Los dos números también aparecen en la placa de datos del producto. Consulte la página 4 para encontrar la placa de datos.
- Para fines de la garantía, usted también necesitará la fecha de instalación y el nombre de su distribuidor autorizado de Sub-Zero. Esta información debe estar registrada en la página 2.

## Garantía limitada de los productos Sub-Zero

PARA USO RESIDENCIAL SOLAMENTE

### GARANTÍA COMPLETA DE DOS AÑOS\*

Durante dos años a partir de la fecha de la instalación original, la garantía de su producto Sub-Zero cubre todas las partes y mano de obra para reparar o reemplazar, bajo el uso residencial normal, cualquier parte del producto que se compruebe estar defectuosa en material o mano de obra. Todos los servicios proporcionados por Sub-Zero bajo la garantía anterior deben ser ejecutados por servicios certificados de fábrica de Sub-Zero, a menos que Sub-Zero Inc. lo especifique de otra manera, el Servicio será proporcionado durante el horario comercial normal.

### GARANTÍA COMPLETA DE CINCO AÑOS SOBRE EL SISTEMA CERRADO

Durante cinco años a partir de la fecha de la instalación original la garantía de su producto Sub-Zero cubre todas las partes y mano de obra para reparar o reemplazar, bajo el uso residencial normal, el compresor, condensador, evaporador, secador y todas las conexiones que se compruebe están defectuosas en material o mano de obra. Todos los servicios proporcionados por Sub-Zero bajo la garantía anterior deben ser ejecutados por servicios certificados de fábrica de Sub-Zero, a menos que Sub-Zero Inc. lo especifique de otra manera, el Servicio será proporcionado durante el horario comercial normal.

### GARANTÍA LIMITADA DE DOCE AÑOS SOBRE EL SISTEMA CERRADO

Durante doce años a partir de la fecha de la instalación original la garantía de su producto Sub-Zero cubre todas las partes para reparar o reemplazar, bajo el uso residencial normal, el compresor, condensador, evaporador, secador y todas las conexiones que se compruebe están defectuosas en material o mano de obra.

### TÉRMINOS APLICABLES A CADA GARANTÍA

La garantía se aplica solamente a los productos instalados para uso residencial normal. La garantía se aplica solamente a los productos instalados en cualquiera de los cincuenta estados de los Estados Unidos, el Distrito de Columbia o las diez provincias de Canadá. Esta garantía no cubre las partes o mano de obra para corregir cualquier defecto causado por negligencia, accidente o uso, mantenimiento, instalación, servicio o reparación inadecuados.

**LOS RECURSOS DESCRITOS ANTERIORMENTE PARA CADA GARANTÍA SON LOS ÚNICOS QUE SUB-ZERO, INC. PROPORCIONARÁ, YA SEA BAJO ESTA GARANTÍA O BAJO CUALQUIER GARANTÍA QUE RESULTEN DE LA APLICACIÓN DE LA LEY. SUB-ZERO, INC. NO SE HACE RESPONSABLE POR LOS DAÑOS INDIRECTOS O INCIDENTALES DERIVADOS DE LA VIOLACIÓN DE ESTA GARANTÍA O CUALQUIER OTRA GARANTÍA, YA SEA EXPRESA, IMPLÍCITA O LEGAL.**

Algunos estados no permiten la exclusión o limitación de daños incidentales o consecuentes, por lo tanto la limitación o exclusión anterior podrían no aplicarse en su caso. Esta garantía le otorga derechos legales específicos, y usted también puede tener otros derechos legales que varían entre estados.

Para recibir las partes y/o el servicio y el nombre del servicio certificado de fábrica de Sub-Zero más cercano a usted, póngase en contacto con Sub-Zero, Inc., P.O. Box 44848, Madison, WI 53744; eche un vistazo a la sección de contacto y servicio técnico en nuestro sitio web, [subzero.com](http://subzero.com) o llame al 800-222-7820.

\*Las puertas, paneles, manijas, estructuras de acero inoxidable y superficies internas están cubiertas por una garantía de piezas y mano de obra limitada de 60 días por defectos cosméticos.

\*Los filtros de agua de repuesto y los cartuchos de purificación de agua no están cubiertos por la garantía del producto.



## Table des matières

- 4 Caractéristiques du cellier à vins
- 5 Commandes électroniques
- 6 Rangement
- 7 Fonctionnement
- 8 Conseils d'entretien
- 9 Dépannage
- 11 Garantie Sub-Zero

### CALIFORNIA PROPOSITION 65

#### AVERTISSEMENT

Ce produit peut contenir des produits chimiques reconnus par l'état de la Californie comme causant le cancer ou des troubles reproductifs.

## Service à la clientèle

Le numéro de modèle et le numéro de série sont imprimés sur la fiche d'enregistrement du produit ci-jointe. Les deux numéros sont aussi indiqués sur la plaque signalétique du produit. Reportez-vous à la page 4 pour connaître l'emplacement de la plaque signalétique. Pour les besoins de la garantie, vous devrez aussi avoir la date d'installation et le nom de votre dépositaire Sub-Zero autorisé. Inscrivez ces renseignements ci-dessous pour consultation ultérieure.

Si votre produit a besoin d'être réparé, assurez-vous d'utiliser un fournisseur de service certifié par l'usine Sub-Zero recommandé par notre centre de service à la clientèle, ou sélectionnez-en un parmi la liste de fournisseurs disponibles à [subzero.com/locator](http://subzero.com/locator). Tous les fournisseurs de service certifiés par l'usine sont soigneusement sélectionnés et rigoureusement formés par nous.

#### RENSEIGNEMENTS SUR LE SERVICE

Numéro de modèle

---

Numéro de série

---

Date de l'installation

---

Nom du service certifié

---

Numéro du service certifié

---

Dépositaire autorisé

---

Numéro du dépositaire

---

## Remarque importante

Pour s'assurer que ce produit est installé et utilisé en toute sécurité et aussi efficacement que possible, prenez note des types de renseignement mis en évidence tout au long de ce guide :

**REMARQUE IMPORTANTE** met en évidence des renseignements qui sont particulièrement importants.

**MISE EN GARDE** indique une situation où une blessure mineure ou des dommages au produit peuvent se produire si les directives ne sont pas respectées.

**AVERTISSEMENT** décrit un danger qui peut causer une blessure grave ou la mort si les précautions ne sont pas respectées.

**REMARQUE IMPORTANTE** : tout au long de ce guide, les dimensions entre parenthèses sont en millimètres à moins d'indication contraire.

## Merci

Merci de votre achat. Nous nous réjouissons à l'idée de faire partie de votre résidence pendant des décennies à venir. À titre d'entreprise familiale de troisième génération, nous avons un intérêt personnel dans la préservation des aliments de votre famille. Nous avons bâti notre entreprise et notre réputation en aidant les familles à servir les aliments les plus frais possible.

Grâce à votre achat, vous obtiendrez l'une des garanties les plus robustes de l'industrie des appareils électroménagers. Prenez un moment pour lire la déclaration de garantie complète à la page 11. Il est aussi important d'enregistrer votre Sub-Zero pour vous assurer de ne pas manquer les avantages exclusifs aux propriétaires, comme l'assurance que vous serez pris en charge dans le cas peu probable où un service serait nécessaire durant la période de garantie et d'avoir une preuve d'achat en cas de réclamation d'assurance habitation. Vous pouvez effectuer l'enregistrement de l'une des façons suivantes :

- En postant la fiche d'enregistrement du produit Sub-Zero dûment remplie.
- En enregistrant votre appareil en ligne à [subzero.com/register](http://subzero.com/register) et en créant un compte personnalisé My Sub-Zero/Wolf avec le numéro de série de votre produit.
- Par téléphone en appelant le service à la clientèle de Sub-Zero au 800-222-7820.

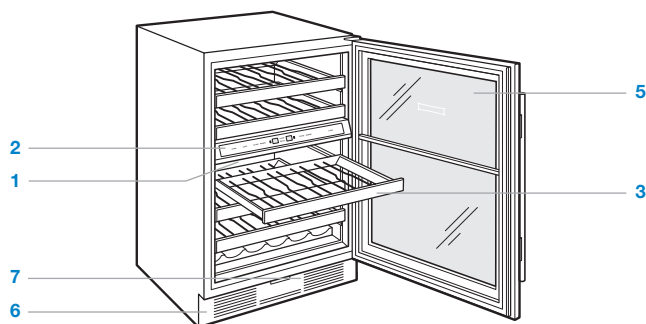
À titre de propriétaire Sub-Zero, vous pouvez compter sur un soutien continu, jour après jour. Notre centre de service à la clientèle est offert 24 heures par jour, sept jours par semaine et composé d'employés experts en produit bien informés dans notre usine de Madison au Wisconsin. En cas de besoin, composez simplement le 800-222-7820 et parlez avec un de nos experts en produit. Ils vous aideront à résoudre tout problème que vous pourriez avoir.

Nous sommes confiants que ce guide répondra à vos questions au sujet des caractéristiques, du fonctionnement et de l'entretien de votre Sub-Zero, mais si vous avez des questions supplémentaires, communiquez avec nous au 800-222-7820 ou visitez-nous en ligne à [subzero.com](http://subzero.com).

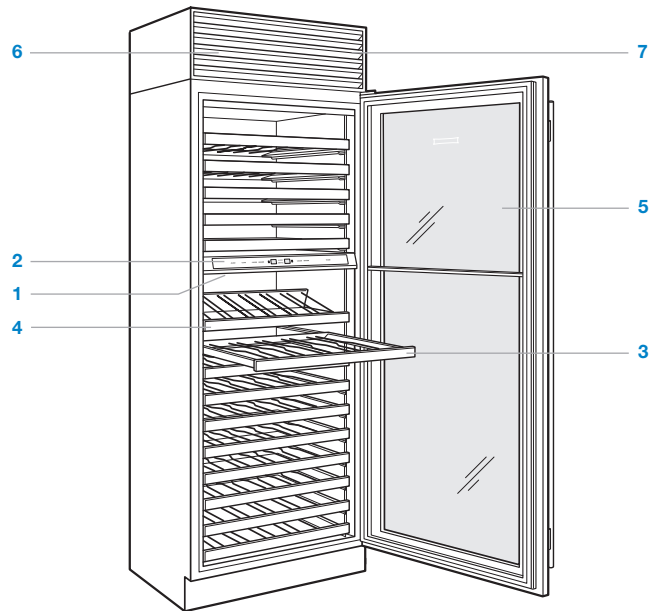


## Caractéristiques du cellier à vins

CARACTÉRISTIQUE	
1	Plaque signalétique du produit
2	Panneau de commande électronique et affichage
3	Porte-bouteilles du cellier à vins
4	Porte-bouteille de présentation (Modèle BW-30)
5	Porte en verre à vue complète
6	Système d'alarme résidentiel
7	Condensateur (derrière la plaque de protection ou la grille)





Modèle UW-24.

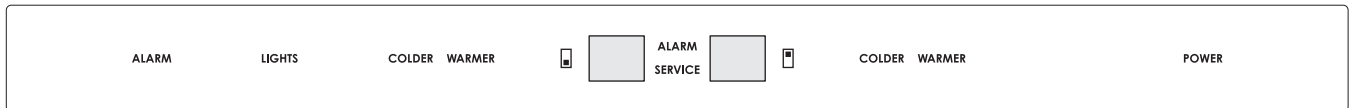


Modèle BW-30.



## Panneau de commande

FONCTION		INDICATEUR	
<b>ALARM (ALARME)</b>	Active ou désactive l'alarme de température. Un signal sonore indique si la température se trouve en dessous de 32 °F (0 °C) ou 15 °F (8 °C) au-dessus de la température réglée.		Indique la zone de température inférieure.
<b>LIGHTS (ÉCLAIRAGE)</b>	Met en marche ou arrête l'éclairage d'appoint.		Indique la zone de température supérieure.
<b>COLDER WARMER (PLUS FROID, PLUS CHAUD)</b>	Règle la température dans des incréments d'un degré. Les deux zones de température distinctes ont des commandes de température séparées. Les températures sont pré-réglées à 45 °F (7 °C) et 55 °F (13 °C).	<b>ALARM (ALARME)</b>	Allume lorsque l'alarme de température est activée.
<b>POWER (ALIMENTATION)</b>	Met en marche ou arrête l'unité. Couper l'alimentation au niveau du panneau de commande élimine le besoin de débrancher ou de couper le courant avec le disjoncteur pendant tout service ou des vacances prolongées.	<b>SERVICE</b>	Allume quand un problème de température a été détectée, ou si le condensateur doit être nettoyé.



Panneau de commande.

## Cellier à vins

### PORTE-BOUTEILLES

Les porte-bouteilles à extension complète (extension de trois-quarts pour le modèle UW-24) permettent d'accéder facilement aux bouteilles de 750 ml, aux demi-bouteilles et aux magnums. Reportez-vous à l'illustration ci-dessous pour connaître la bonne disposition des bouteilles. Lorsque vous rangez des magnums, le porte-bouteille au-dessus doit être enlevé.

Pour retirer un porte-bouteille, tirez-le complètement, inclinez-le vers le haut, puis soulevez-le vers l'extérieur. Reportez-vous à l'illustration ci-dessous.

La façade en cerisier naturel sur les porte-bouteilles peut être remplacée par du bois s'agencant aux armoires. Pour de plus amples renseignements, reportez-vous au guide de conception Sub-Zero, visitez notre site Web à [subzero.com](http://subzero.com) ou communiquez avec le service à la clientèle de Sub-Zero au 800-222-7820.

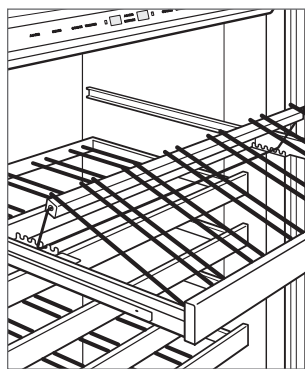
#### ▲ MISE EN GARDE

Retirez toutes les bouteilles de vin du porte-bouteilles avant d'enlever ce dernier.

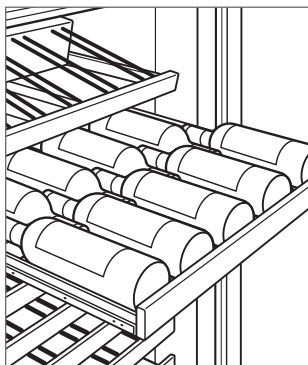
### PORTE-BOUTEILLES DE PRÉSENTATION (MODÈLE BW-30)

Le porte-bouteilles de présentation réglable est conçu pour que le vin demeure en contact avec le bouchon quelle que soit la position. Reportez-vous à l'illustration ci-dessous.

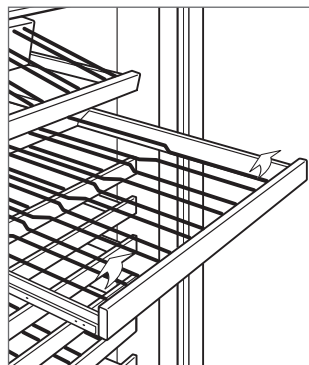
Pour retirer le porte-bouteilles de présentation, tirez-le complètement, inclinez-le vers le haut, puis soulevez-le vers l'extérieur.



Porte-bouteille de présentation.



Disposition des bouteilles.



Retrait d'un porte-bouteilles.



## Shabbat

Cet appareil est certifié par Star-K pour répondre à des règlements religieux rigoureux relativement à des directives précises se trouvant sur [www.star-k.org](http://www.star-k.org).

Pour initier le mode Shabbat, pendant que l'unité est en marche, touchez à POWER (alimentation) sur le panneau de commande. Touchez et tenez la touche POWER pendant 10 secondes. Cela remettra l'unité en marche et désactivera les lumières. Pour retourner aux conditions de fonctionnement normales, touchez à POWER.

## Nettoyage

### NETTOYAGE INTÉRIEUR

Pour nettoyer les surfaces intérieures et toutes les pièces amovibles, lavez avec une solution douce de savon, d'eau et de bicarbonate de soude. Rincez et séchez à fond. Évitez de mettre de l'eau sur les lumières, le panneau de commande et la façade en cerisier sur les porte-bouteilles.

Utilisez un nettoyant pour verre standard pour nettoyer la porte en verre résistant aux UV.

#### ▲ MISE EN GARDE

N'utilisez pas du vinaigre, de l'alcool à friction ou d'autres nettoyants à base d'alcool sur toute surface intérieure.

### EXTÉRIEUR EN ACIER INOXYDABLE

Utilisez un nettoyant non abrasif pour l'acier inoxydable et appliquez-le avec un chiffon doux non pelucheux. Pour faire ressortir le lustre naturel, essuyez légèrement la surface avec un chiffon en microfibrilles humecté d'eau suivi d'un chamois à polir sec. Suivez toujours le grain de l'acier inoxydable.

### NETTOYAGE DU CONDENSATEUR

#### ▲ MISE EN GARDE

Avant de nettoyer le condensateur, coupez l'alimentation sur le panneau de commande. Portez des gants pour éviter toute blessure causée par les ailettes tranchantes du condensateur.

**Modèles UW-24 et UW-24FS** | Le condensateur est situé au fond de l'unité, derrière la plaque de protection. Pour y accéder, retirez la plaque de protection. Reportez-vous à l'illustration ci-dessous.

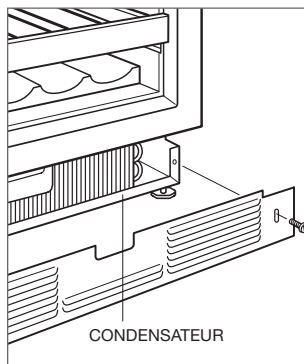
**Modèle BW-30** | Le condensateur est situé derrière la grille rabattable. Pour y accéder, tirez le rebord inférieur de la grille vers l'extérieur et tournez-le vers le haut. Reportez-vous à l'illustration ci-dessous.

Utilisez une brosse à soie souple et un aspirateur pour éliminer la poussière et les peluches de la zone du condensateur. Nettoyez le condensateur tous les trois à six mois.

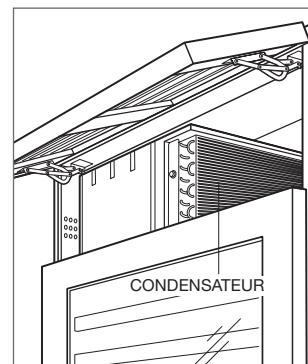
**REMARQUE IMPORTANTE :** pour éviter d'endommager le condensateur, passez l'aspirateur dans la direction des ailettes.

#### ▲ MISE EN GARDE

L'omission de nettoyer le condensateur pourrait entraîner une perte de température, une défaillance mécanique ou des dommages.



Modèles UW-24 et UW-24FS.



Modèle BW-30.

### Dépannage

#### INDICATEUR DE SERVICE

Le mot « SERVICE » clignote sur l'affichage du panneau de commande.

- Assurez-vous que le condensateur est propre.
- Éteignez l'unité sur le panneau de commande, puis remettez-la en marche. Si l'indicateur continue de clignoter, communiquez avec un centre de service certifié par l'usine Sub-Zero.

#### FONCTIONNEMENT DE L'UNITÉ

**Pas de lumière ou de refroidissement.**

- Assurez-vous que l'unité est sous tension.
- Vérifiez l'alimentation électrique vers l'unité et que le disjoncteur de la résidence est en marche.

**Pas de lumière.**

- La porte peut avoir été laissée entrouverte, ce qui a désactivé les lumières pour éliminer l'excédent de chaleur. Si les lumières sont éteintes, fermez la porte pendant une heure. Si les lumières sont toujours éteintes, communiquez avec le service certifié par l'usine Sub-Zero.
- L'éclairage de l'armoire doit être remplacé par le service certifié par l'usine Sub-Zero.

**De la condensation se forme à l'intérieur de l'unité.**

- Assurez-vous que le condensateur est propre.
- Assurez-vous que la porte se ferme correctement.
- Assurez-vous que la porte n'ait pas été laissée entrouverte.
- Vérifiez que le joint de la porte n'ait pas de coupures ou déchirures. Le cas échéant, communiquez avec le service certifié par l'usine Sub-Zero.

**Températures élevées, l'unité fonctionne de façon excessive ou émet trop de chaleur.**

- Assurez-vous que le condensateur est propre.
- Assurez-vous que la porte se ferme correctement.
- Assurez-vous que la porte n'ait pas été laissée entrouverte.
- Des températures ambiantes élevées peuvent faire fonctionner les compresseurs plus longtemps.
- Si l'affichage de température indique 45° et 55°, mais ne refroidit pas, l'unité peut se trouver en mode de salle d'exposition. Communiquez avec le service à la clientèle de Sub-Zero à 800-222-7820.

#### ODEUR

- L'unité doit être nettoyée avant de l'utiliser la première fois. Cela éliminera les odeurs qui ont pu être captées lors de l'expédition.

### Service

- Préservez la qualité intégrée dans votre produit en communiquant avec un service certifié par l'usine Sub-Zero. Pour obtenir le nom du centre de service Sub-Zero certifié par l'usine le plus près de chez vous, consultez la section Contact et assistance de notre site Web, [subzero.com](http://subzero.com) ou appelez le service à la clientèle de Sub-Zero au 800-222-7820.
- Avant d'appeler pour obtenir du service, ayez en main les numéros de modèle et de série de votre unité. Les deux numéros sont indiqués sur la plaque signalétique du produit. Reportez-vous à la page 4 pour connaître l'emplacement de la plaque signalétique.
- Pour les besoins de la garantie, vous devrez aussi avoir la date d'installation et le nom de votre dépositaire Sub-Zero autorisé. Ces renseignements doivent être notés à la page 2.

## Garantie limitée des produits Sub-Zero

POUR UNE UTILISATION RÉSIDENIELLE SEULEMENT

### GARANTIE COMPLÈTE DE DEUX ANS\*

Pendant deux ans à compter de la date d'installation originale, votre garantie de produit Sub-Zero couvre toutes les pièces et la main d'œuvre pour réparer ou remplacer, selon un usage résidentiel normal, toute partie du produit qui s'avèrerait défectueuse en vertu des matériaux ou de la fabrication. Le service fourni par Sub-Zero en vertu de la garantie ci-dessus doit être effectué par un centre de service Sub-Zero certifié par l'usine, à moins d'être précisé autrement par Sub-Zero, Inc. Le service sera fourni pendant les heures normales d'ouverture.

### GARANTIE COMPLÈTE DE CINQ ANS SUR LE SYSTÈME SCELLÉ

Pendant cinq ans à compter de la date d'installation originale, votre garantie de produit Sub-Zero couvre toutes les pièces et la main d'œuvre pour réparer ou remplacer, selon un usage résidentiel normal, le compresseur, le condensateur, l'évaporateur, le séchoir et tous les tuyaux de connexion qui s'avèreraient défectueux en vertu des matériaux ou de la fabrication. Le service fourni par Sub-Zero en vertu de la garantie ci-dessus doit être effectué par un centre de service Sub-Zero certifié par l'usine, à moins d'être précisé autrement par Sub-Zero, Inc. Le service sera fourni pendant les heures normales d'ouverture.

### GARANTIE LIMITÉE DE DOUZE ANS SUR LE SYSTÈME SCELLÉ

Pendant douze ans à compter de la date d'installation originale, votre garantie de produit Sub-Zero couvre toutes les pièces pour réparer ou remplacer, selon un usage résidentiel normal, le compresseur, le condensateur, l'évaporateur, le séchoir et tous les tuyaux de connexion qui s'avèreraient défectueux en vertu des matériaux ou de la fabrication.

### CONDITIONS S'APPLIQUANT À CHAQUE GARANTIE

La garantie s'applique uniquement aux produits installés pour un usage résidentiel normal. La garantie s'applique seulement aux produits installés dans l'un des cinquante états des États-Unis, dans le District of Columbia ou les dix provinces du Canada. Cette garantie ne couvre pas les pièces ou la main d'œuvre pour corriger tout défaut causé par de la négligence, un accident ou une utilisation, un entretien, une installation, un service ou une réparation inappropriés.

**LES REMÈDES DÉCRITS CI-DESSUS POUR CHAQUE GARANTIE SONT LES SEULS OFFERTS PAR SUB-ZERO, INC. EN VERTU DE CETTE GARANTIE OU DE TOUTE GARANTIE DÉCOULANT DE L'OPÉRATION DE LA LOI. SUB-ZERO, INC. NE SERA PAS RESPONSABLE DES DOMMAGES INDIRECTS OU CONSÉCUTIFS ISSUS DE LA VIOLATION DE CETTE GARANTIE OU DE TOUTE AUTRE GARANTIE, EXPRESSE, IMPLICITE OU LÉGALE.**

Certaines provinces ne permettent pas l'exclusion ou la restriction des dommages indirects ou consécutifs, par conséquent, la limite ou l'exclusion ci-dessus peut ne pas s'appliquer à votre cas. Cette garantie vous confère des droits légaux précis et vous pouvez aussi avoir d'autres droits légaux qui peuvent varier d'une province à l'autre.

Pour obtenir des pièces et/ou du service et le nom du centre de service Sub-Zero certifié par l'usine le plus près de chez vous, communiquez avec Sub-Zero, Inc., P.O. Box 44848, Madison Wisconsin, 53744 É.-U.; vérifiez la section Contact et assistance de notre site Web, [subzero.com](http://subzero.com), ou composez le 800-222-7820.

\*Les portes, les panneaux, les poignées, les cadres et les surfaces intérieures en acier inoxydable du produit sont couverts par une garantie limitée de 60 jours sur les pièces et la main d'œuvre pour toute défectuosité cosmétique.

\*Les cartouches du filtre à eau et de purification d'air de rechange ne sont pas couvertes par la garantie du produit.





SUB-ZERO, INC. P.O. BOX 44848 MADISON, WI 53744 SUBZERO.COM 800.222.7820

9006311 REV-A

8/2015

