

UW-24/O



FEATURES

Accepts custom panels for an integrated look within cabinetry or accessory handles to match other Sub-Zero, Wolf, and Cove products

Offers any-occasion-46-bottle capacity

Store reds and whites in separate temperature zones that keep wines at proper serving temperatures, within one degree of setpoint

Maintains constant, moderate humidity with dual evaporators so corks do not dry out

Shields wine from aging with UV-resistant glass door

Select the wine you want without agitating others with textured roller-glide shelves that do not vibrate

Locks in cold air to ensure freshness with magnetic door seals

Locate your favorite bottles easily with LED lighting

Organize your collection with our inventory tile system

Connects to your home security system

ACCESSORIES

Dessert Wine Rack

Dual Installation Kit

Lock Kit

Undercounter Black Dual Kickplate

Undercounter Door Lock Kit

Undercounter Dual Lock Kit

Undercounter Silver Dual Kickplate

Undercounter Silver Kickplate

Undercounter Solid Overlay Door

Wine Inventory Tiles

Wine Inventory Tiles - Writable

Accessories are available through an authorized dealer.

For local dealer information, visit subzero-wolf.com/locator.



HANDLE ACCESSORIES

PRO



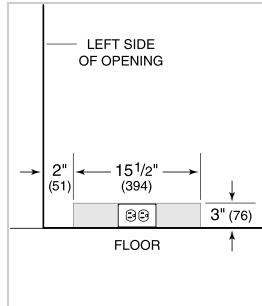
TUBULAR



PRODUCT SPECIFICATIONS

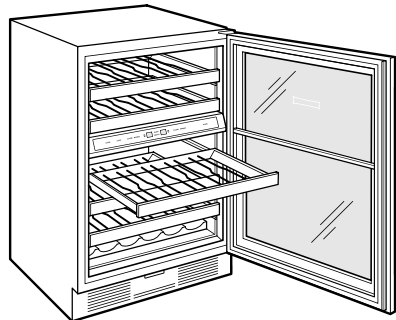
Model	UW-24/O
Dimensions	23 7/8"W x 34"H x 24"D
Door Clearance	25 3/8"
Electrical Supply	115 VAC, 60 Hz
Electrical Service	15 amp dedicated circuit
Wine Storage Capacity	46 Bottles

ELECTRICAL



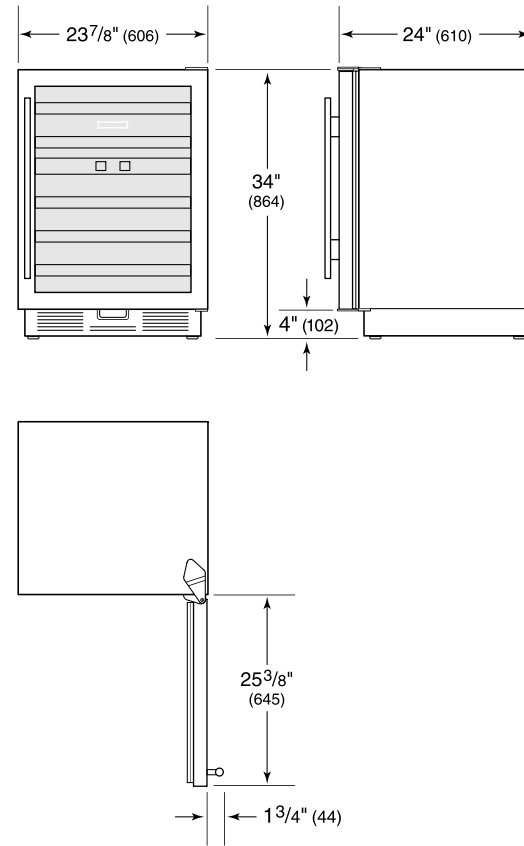
NOTE: Dimensions in parenthesis are in millimeters unless otherwise specified

INTERIOR VIEW

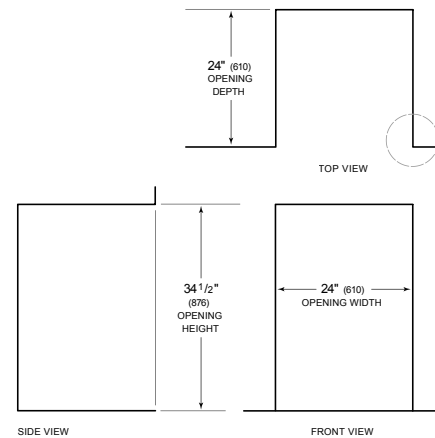


This illustration is intended for interior reference only and may not represent the exterior of the model being specified.

DIMENSIONS



STANDARD INSTALLATION



NOTE: 3 1/2" (89) finished returns will be visible and should be finished to match cabin

