

UC-24CI



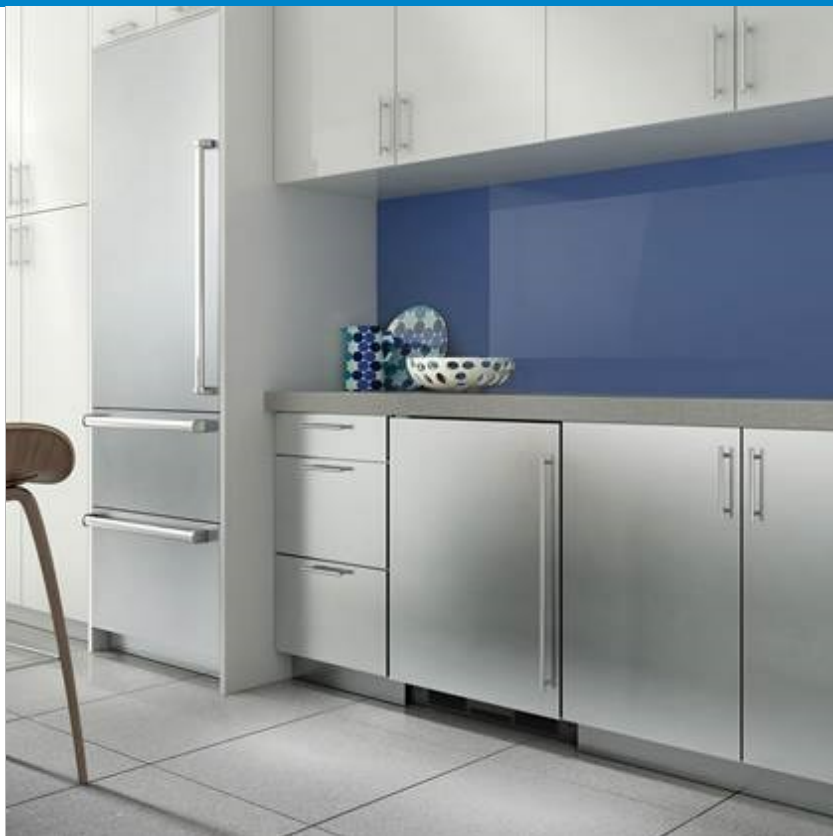
FEATURES

- Rigorously tested to ensure decades of use
- Exceptional support from Madison, WI-based Customer Care team
- Spill-proof glass shelves for easy clean-ups
- Easy-access touch control panel
- Bright interior lighting
- Roller-glide wine shelf holds seven 750 ml bottles
- Temperature range from 34° F to 45° F for refrigerator, -5° F to 5° F in freezer
- Two-liter bottle storage in door
- Automatic defrost

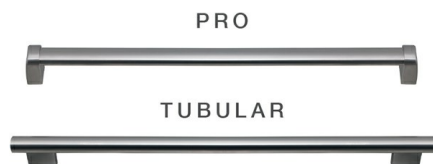
ACCESSORIES

- 7030527-Undercounter Dual Lock Kit
- 7030799-Undercounter Black Dual Kickplate
- 7030801-Undercounter Silver Kickplate
- 7030802-Undercounter Door Lock Kit
- Dual Installation Kit
- Stainless Steel Door Panel with Pro Handle
- Stainless Steel Door Panel with Tubular Handle
- Undercounter Silver Dual Kickplate
- Stainless Steel Pro Handles
- Stainless Steel Tubular Handles

Accessories are available through an authorized dealer. For local dealer information, visit subzero-wolf.com/locator.



HANDLE ACCESSORIES



PRODUCT DETAILS

REFRIGERATOR

- 1 Wine storage rack
- 1 Adjustable glass shelf
- 1 Stationary solid shelf

FREEZER

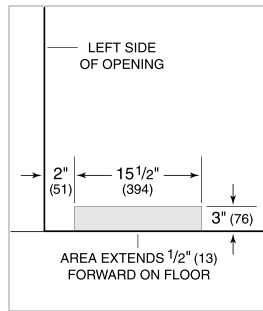
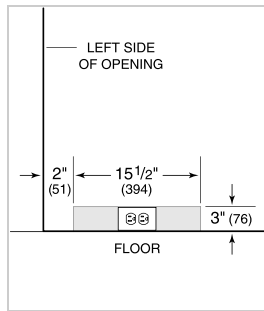
- Removable ice container

PRODUCT SPECIFICATIONS

Model	UC-24CI
Dimensions	23 7/8"W x 34"H x 24"D
Door Clearance	23 3/8"
Weight	130 lbs
Refrigerator Capacity	3.6 cu. ft.
Freezer Capacity	1.1 cu. ft.
Electrical Supply	115 VAC, 60 Hz
Electrical Service	15 amp dedicated circuit
Wine Storage Capacity	8 Bottles
Receptacle	3-prong grounding-type

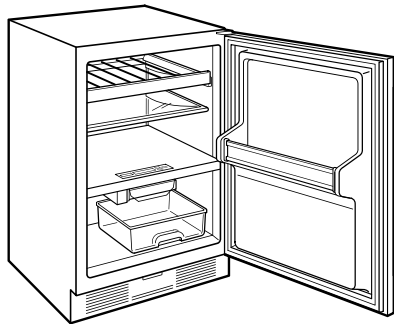
ELECTRICAL

PLUMBING



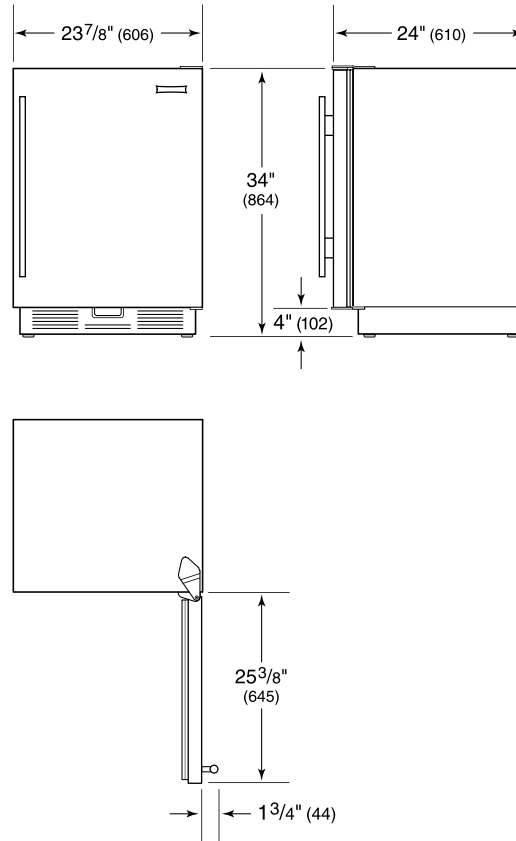
NOTE: Dimensions in parenthesis are in millimeters unless otherwise specified

INTERIOR VIEW

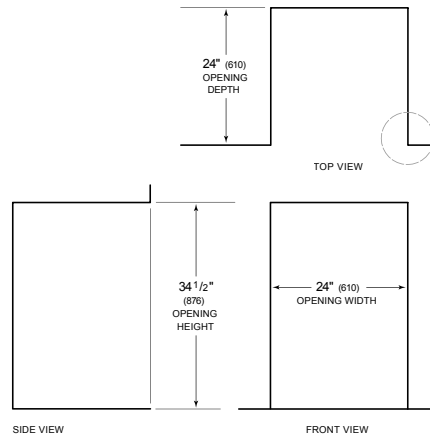


This illustration is intended for interior reference only and may not represent the exterior of the model being specified.

DIMENSIONS



STANDARD INSTALLATION



NOTE: 3 1/2\"/>

