

ID-30RP



FEATURES

Rigorously tested to ensure decades of use

Exceptional support from Madison, WI-based Customer Care team

Ready to be fitted with custom panels and handles to blend with cabinetry

Soft-on LED lights for varying degrees of brightness

Smart-touch controls for streamlined access to more settings

Soft-close doors and drawers

Crispers and deli drawers in low-temp, high-humidity zones for optimum freshness

Air purification system fights spoilage, odors

ACCESSORIES

Air Purification Cartridge

Crisper Cover

Dual Installation Kit

Egg Container

Reduced Toekick Divider

Stainless Steel 30" Drawer Panels with Pro Handles

Stainless Steel 30" Drawer Panels with Tubular Handles

Stainless Steel Pro Handles

Stainless Steel Tubular Handles

Stainless Steel Dual Installation Kickplates

Accessories are available through an authorized dealer.
For local dealer information, visit subzero-wolf.com/locator.



HANDLE ACCESSORIES

PRO



TUBULAR



PRODUCT DETAILS

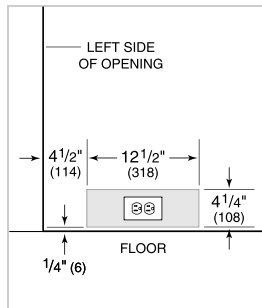
REFRIGERATOR

- Adjustable drawer dividers
- 1 Sliding Crisper Cover

PRODUCT SPECIFICATIONS

Model	ID-30RP
Dimensions	30"W x 34 1/2"H x 24"D
Drawer Clearance	18 3/8"
Weight	210 in.
Refrigerator Capacity	5.3 cu. ft.
Electrical Supply	115 VAC, 60 Hz
Electrical Service	15 amp dedicated circuit
Receptacle	3-prong grounding-type

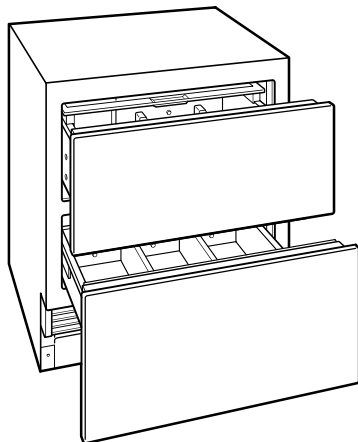
ELECTRICAL



PANEL SPECIFICATIONS For complete panels specifications including width/height, weight requirements and thickness requirements visit subzero-wolf.com/reveal.

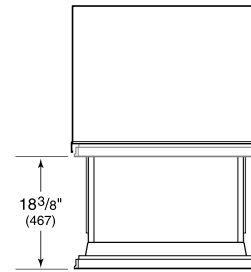
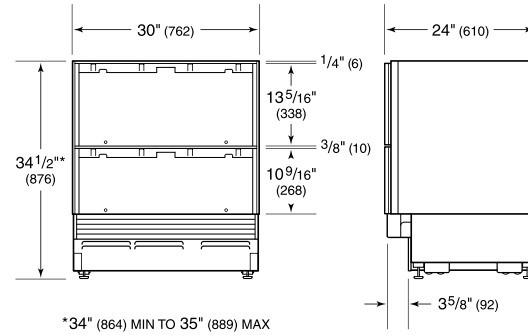
NOTE: Dimensions in parenthesis are in millimeters unless otherwise specified

INTERIOR VIEW

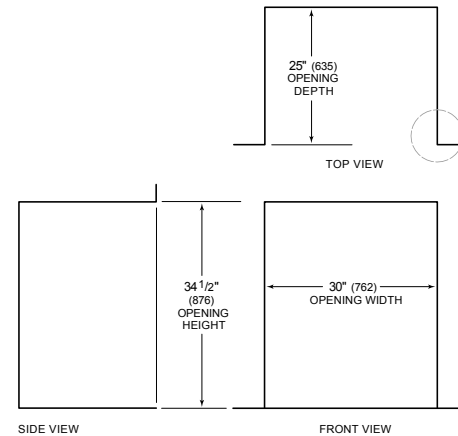


This illustration is intended for interior reference only and may not represent the exterior of the model being specified.

DIMENSIONS



STANDARD INSTALLATION



NOTE: 3 1/2" (89) finished returns will be visible and should be finished to match cabinetry

