

ID-30CI



## FEATURES

Rigorously tested to ensure decades of use

Exceptional support from Madison, WI-based Customer Care team

Ready to be fitted with custom panels and handles to blend with cabinetry

Soft-on LED lights for varying degrees of brightness

Smart-touch controls for streamlined access to more settings

Soft-close doors and drawers

Automatic ice maker with "max ice" feature

## ACCESSORIES

Dual Installation Kit

Egg Container

Reduced Toekick Divider

Stainless Steel 30" Drawer Panels with Pro Handles

Stainless Steel 30" Drawer Panels with Tubular Handles

Stainless Steel Pro Handles

Stainless Steel Tubular Handles

Stainless Steel Dual Installation Kickplates

Accessories are available through an authorized dealer.  
For local dealer information, visit [subzero-wolf.com/locator](https://subzero-wolf.com/locator).



## PRODUCT DETAILS

### REFRIGERATOR

- Adjustable drawer dividers

### FREEZER

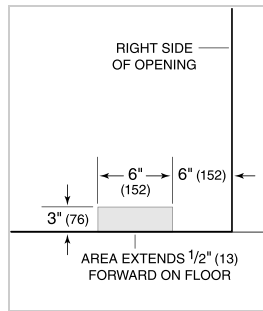
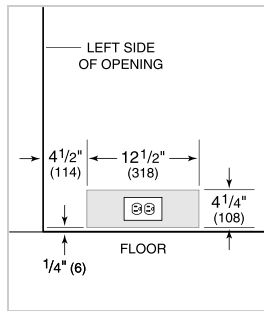
- Adjustable drawer dividers
- Automatic ice maker
- Removable ice container

**PRODUCT SPECIFICATIONS**

Model	ID-30CI
Dimensions	30"W x 34 1/2"H x 24"D
Drawer Clearance	18 3/8"
Weight	210 lbs
Refrigerator Capacity	3 cu. ft.
Freezer Capacity	2 cu. ft.
Electrical Supply	115 VAC, 60 Hz
Electrical Service	15 amp dedicated circuit
Receptacle	3-prong grounding-type

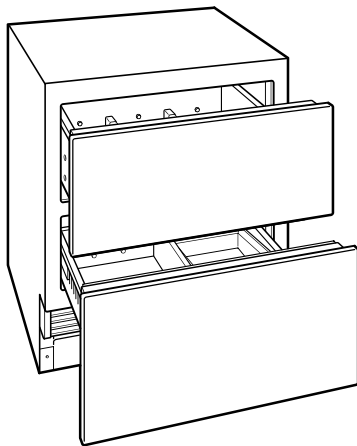
**ELECTRICAL**

**PLUMBING**



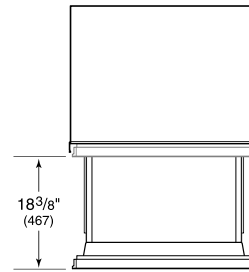
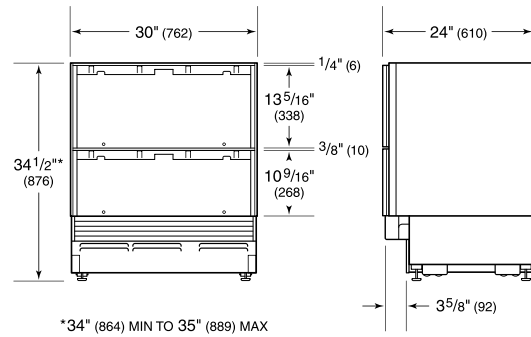
NOTE: Dimensions in parenthesis are in millimeters unless otherwise specified

**INTERIOR VIEW**

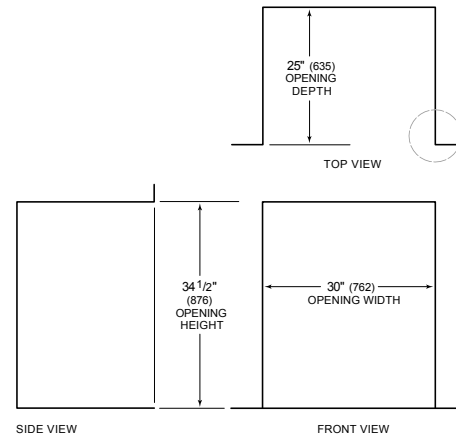


This illustration is intended for interior reference only and may not represent the exterior of the model being specified.

**DIMENSIONS**



**STANDARD INSTALLATION**



NOTE: 3 1/2" (89) finished returns will be visible and should be finished to match cabinetry

