

ID-24RO



FEATURES

Rigorously tested to ensure decades of use

Exceptional support from Madison, WI-based Customer Care team

Tight seal maintains low-temp, high-humidity for optimum freshness

Weather resistant stainless steel panel accessories protect against UV rays, salt, and moisture

Soft-on LED lights for varying degrees of brightness

Smart-touch controls for streamlined access to more settings

Soft-close drawers

ACCESSORIES

Dual Installation Kit

Egg Container

Outdoor Stainless Steel Drawer Panels With Pro Handle

Outdoor Stainless Steel Drawer Panels with Lock

Reduced Toekick Divider

Accessories are available through an authorized dealer.
For local dealer information, visit subzero-wolf.com/locator.



PRODUCT DETAILS

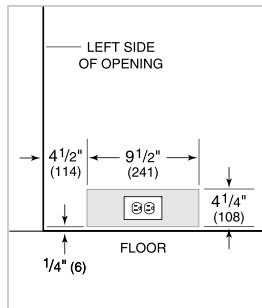
REFRIGERATOR

- Adjustable drawer dividers

PRODUCT SPECIFICATIONS

Model	ID-24RO
Dimensions	24"W x 34 1/2"H x 24"D
Drawer Clearance	18 3/8"
Weight	170 lbs
Refrigerator Capacity	4 cu. ft.
Electrical Supply	115 VAC, 60 Hz
Electrical Service	15 amp dedicated circuit
Receptacle	3-prong grounding-type, GFCI

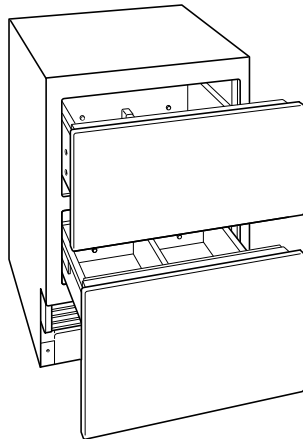
ELECTRICAL



PANEL SPECIFICATIONS For complete panels specifications including width/height, weight requirements and thickness requirements visit subzero-wolf.com/reveal.

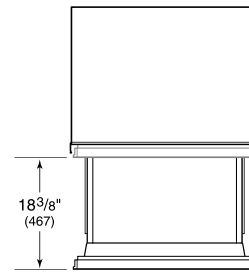
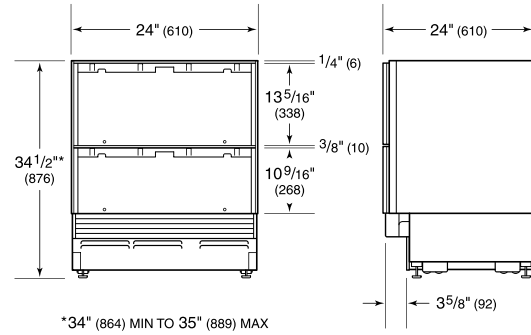
NOTE: Dimensions in parenthesis are in millimeters unless otherwise specified

INTERIOR VIEW

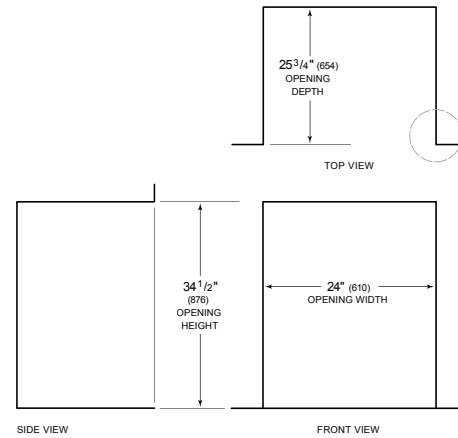


This illustration is intended for interior reference only and may not represent the exterior of the model being specified.

DIMENSIONS



STANDARD INSTALLATION



NOTE: 4 1/2" (114) finished returns will be visible and should be finished to match cabinet.

