

DEU2450CI



## FEATURES

Fully customizable exterior, accepting custom panels for an integrated look within cabinetry or stainless steel accessory panels and handles to coordinate other Sub-Zero, Wolf, and Cove appliances

Seamlessly integrating anywhere, undercounter refrigeration adds comfort to your master suite, creates a corner for libations in the study—the options are endless

On-door shelf easily accommodates a wide variety of condiments and beverages, with ample room for larger two-liter bottles

Stores fresh ice in a removable freezer storage bin, and yields extra cubes with Max Ice Mode

Intuitive, on-door touch control panel offers ergonomic, convenient access to settings

Cleanup is simple with nano-coated, spill-proof shelf

Offers precise temperature control within one degree of setpoint, preserving dairy, produce, craft beer, and other perishables at their optimal temperature

Soft-on LED lighting fully illuminates the interior when the door is open

Wi-Fi enabled features enable remote temperature and Max Ice Mode control, provide important door-ajar notifications, and assist with remote service diagnostic—all from your mobile device

## ACCESSORIES

Custom Panel Lock Kit

Dual Install Kit - Handle-to-Drawer

Dual Install Kit - Handle-to-Handle

Outdoor Stainless Steel Solid Door Panel With Lock - Pro Handle, Left Hinge

Outdoor Stainless Steel Solid Door Panel With Lock - Pro Handle, Right Hinge

Pro Handle

Stainless Steel Dual Kickplate

Tubular Handle

Stainless Steel Solid Door Panels

Accessories are available through an authorized dealer. For local dealer information, visit [subzero-wolf.com/locator](http://subzero-wolf.com/locator).



## HANDLE ACCESSORIES

PRO



TUBULAR



## PRODUCT DETAILS

### REFRIGERATOR

- One stationary and one adjustable shelf
- One on-door shelf

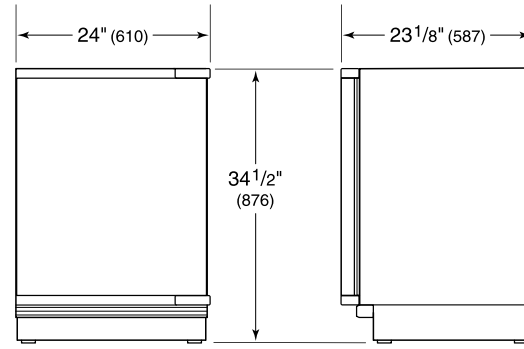
### FREEZER

- Removable ice container

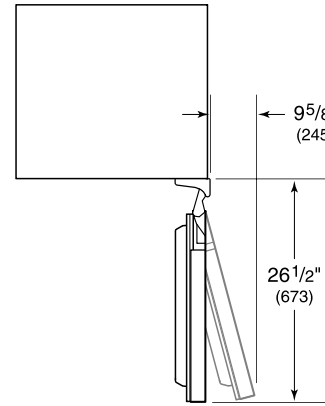
**PRODUCT SPECIFICATIONS**

Model	DEU2450CI
Dimensions	24"W x 34 1/2"H x 23 1/8"D
Door Clearance	26 1/2"
Refrigerator Capacity	3.0 cu. ft.
Freezer Capacity	1.7 cu. ft.
Electrical Supply	115 VAC, 60 Hz
Electrical Service	15 amp dedicated circuit
Wine Storage Capacity	8 Bottles
Receptacle	3-prong grounding-type

**DIMENSIONS**

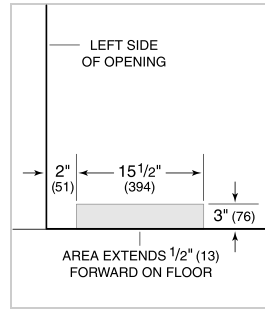
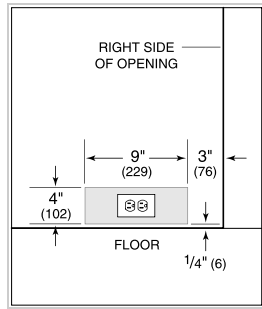


HEIGHT DIMENSIONS ± 1/2" (13)



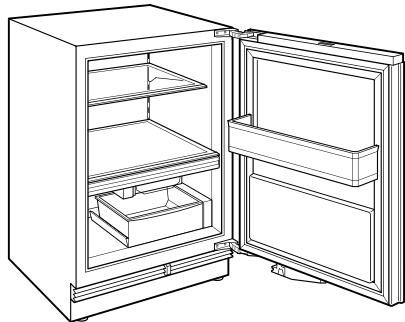
**ELECTRICAL**

**PLUMBING**



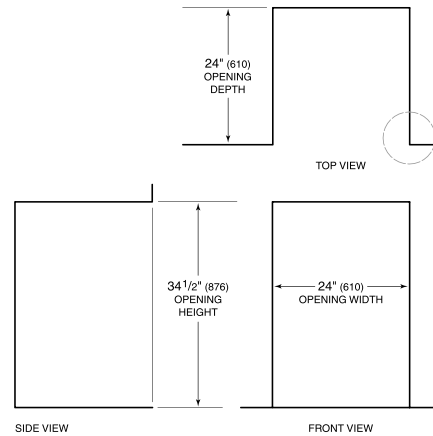
NOTE: Dimensions in parenthesis are in millimeters unless otherwise specified

**INTERIOR VIEW**



This illustration is intended for interior reference only and may not represent the exterior of the model being specified.

**STANDARD INSTALLATION**



NOTE: 3 1/2" (89) finished returns will be visible and should be finished to match cabinetry.

