

# Specification Sheet

## Model SU54

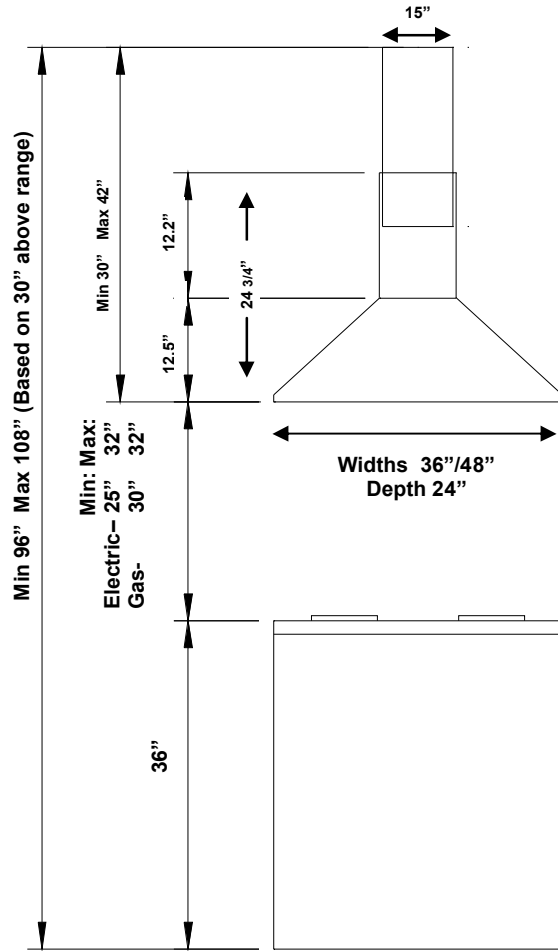
Professional Series Canopy wall mount range hood



**Sirius**  
Range Hoods



### Dimensions and installation measurements



#### Product Features:

- Wall mount hood
- For use over domestic cooking equipment
- 8" round vertical ducting - not supplied
- 1200 cfm die-cast aluminum squirrel cage blower
- Very quiet operation at 66DbA / 5.1 sones maximum
- Commercial style baffle filters
- Brushed stainless steel
- 4 speed push button settings
- 10 minute timer
- Dishwasher safe baffle filter
- 2 x 20W halogen lamps in 36" version
- 4 x 20W halogen lamps in 48" version
- Heat sensor overload protection
- Telescopic decorative flue fits variable heights
- Bracket mounting template for ease of installation

#### Optional Items:

- Replacement baffle filter - code BFSS
- Replacement halogen bulbs and lenses
- Flue extensions - SU 54-LX

#### Notes and comments:



**Sirius Range Hoods - USA and Canada**

Tel: +866 528-4987 Fax: +866 365-9204 email: [info@siriushoods.com](mailto:info@siriushoods.com)

# Specification Sheet

## Model SU 54

Professional Series Canopy wall mount range hood

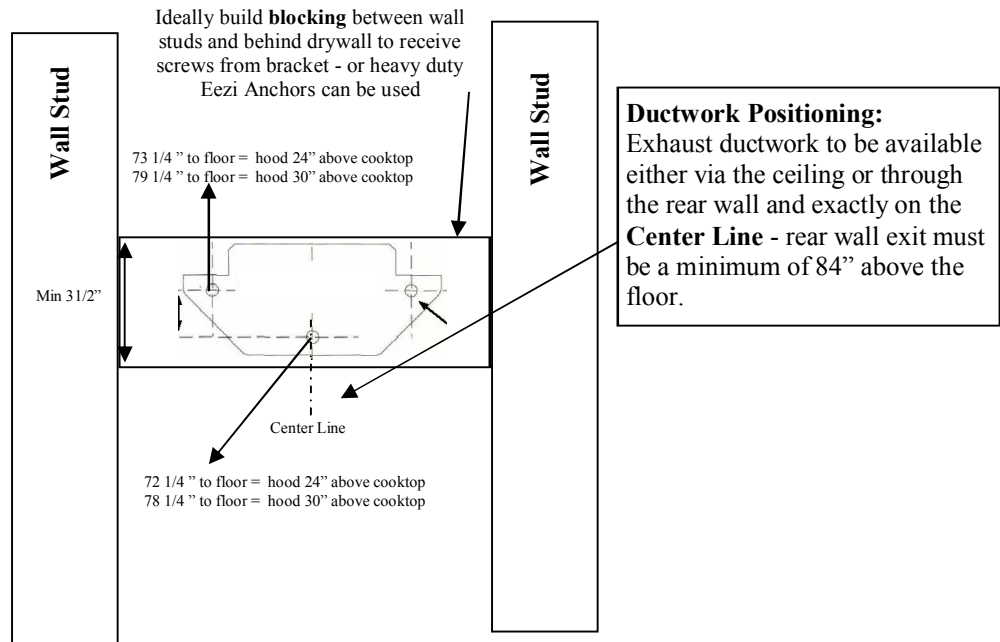


**Sirius**

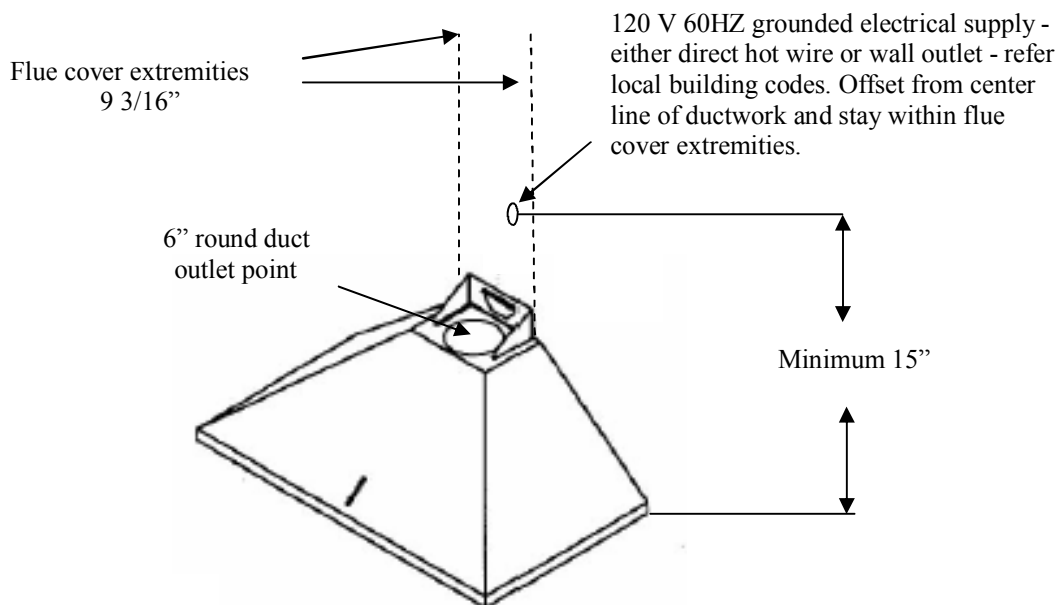
Range Hoods

**Sirius Range Hoods Ltd accepts no liability for any errors or omissions in this document and it is provided for guidance only - we reserve the right to change any information presented here in from time to time.**

### Preparation of wall structure to receive mounting bracket



### Preparation of Wiring location



**Sirius Range Hoods - USA and Canada**

Tel: +866 528-4987 Fax: +866 365-9204 email: [info@siriushoods.com](mailto:info@siriushoods.com)