



TAKE YOUR MICROWAVE TO A BETTER PLACE

It's your kitchen, your design and your lifestyle. Sharp's Microwave Drawer Oven allows you to focus on the design elements you prefer by removing the microwave from sightlines and enabling more design versatility. The Microwave Drawer offers flexible placement options below an island, peninsula, or standard cabinetry, and can also be installed adjacent to your wall oven. The Microwave Drawer allows you to showcase your design savvy and create a kitchen that flows with your lifestyle.

Sharp introduces the next generation of this successful appliance—model SMD3077ASC - a 30" microwave drawer with a simpler and a sleeker design than ever to match more built-in appliances.

Design Flexibility

Sharp's Microwave Drawer product expands the option for microwave placement in almost any kitchen plan— it's a perfect choice for open-plan kitchens, islands, peninsulas, and a great addition to wet bars, family rooms and home theatres.

Location and Counter Space Saving

You may place the drawer under a counter, cooktop or wall oven or above a warming drawer without a built-in kit, additional trim or venting. Sharp microwave drawer provides the best solution for a cleaner, uncluttered counter space.

Specifications

TECHNICAL SPECIFICATIONS

Size	30" wide
Microwave Capacity	1.2 cu.ft
Microwave Power	950 watts
Control Panel	Digital LCD Display
Control Type	Hidden Control Panel
Drawer Opening	AutoTouch™ System
Power Level	11
Sensor Cook, Reheat, Popcorn Settings	13
Reheat Auto Settings	2
Defrost Auto Settings	6
Keep Warm Setting	Yes, up to 30 min.
Melt / Soften / Settings	Yes
Beverage Setting	Yes
Programmable Stages	Yes, 4
Digital Clock	Yes
Kitchen Timer	Yes
Child Lock	Yes
+30 sec	Yes
Interior Oven Light	Yes

SHARP's Exclusive AutoTouch™ System

Sharp's exclusive AutoTouch™ system allows you to open and close the drawer automatically at one-finger operation by pressing a button on the control panel.

New Hidden Control Panel

The new SMD3077ASC model features a hidden control panel which gives a more integrated look and feel within the kitchen. The new tall control panel, angled at 45° degrees, is easy to see, easy to access and easy to use.

TECHNICAL SPECIFICATIONS CONTINUED

Demonstration Mode	Yes
Built-in Ready	Yes
Available Colour	Stainless Steel
Accessory	SKMD30FOAS
DIMENSIONS/WEIGHT(inches/lbs.)	
Cut-out Dimension	28 7/16" x 15 9/16" x 23 1/2"
Product Dimension	30" x 15 7/8" x 23 1/64"
Box Dimension	34.8" x 29.3" x 21.8"
Net Weight	79 lb.
Gross Weight	91 lb.

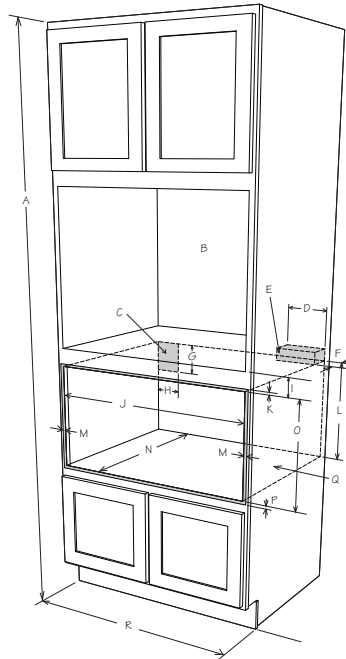
POWER/SAFETY

Power / Ratings	120V, 60Hz
Ratings	1.67Kw, 14.5Amps
Safety Compliance	FCC, DHHS, cUL

WARRANTY/UPC

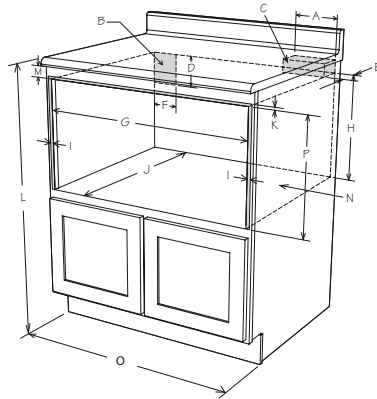
Warranty	1 year parts & labour with in-home service; 4 additional years for magnetron tube only
UPC	074000619951

Installation Guide



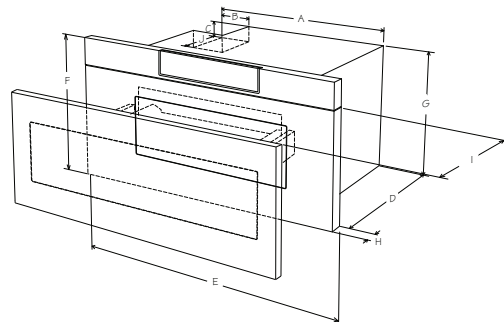
Cutout Dimension
28 7/16" x 15 9/16" (722.31 x 395.27 mm)

- A. 84" (2133.6 mm) wall cabinet
- B. Optional wall oven cutout illustrated in sketch
- C. Suggested electrical outlet location*
- D. 6" (152.40 mm)
- E. Anti-Tip block
- F. 3-1/2" (88.90 mm)
- G. 5" (127 mm)
- H. 4" (101.60 mm)
- I. 2" (50.8 mm) minimum
- J. 28-7/16" (722.3 mm) opening
- K. Allow 3/16" (4.76 mm) overlap
- L. 14-13/16" (376.24 mm) to bottom of Anti-Tip block
- M. Allow 3/4" (19.05 mm) overlap
- N. 23-1/2" (596.9 mm) minimum depth
- O. 15-9/16" (395.27 mm) opening
- P. Allow 7/16" (11.11 mm) overlap
- Q. Floor must support 100 lb (45.4 kg)
- R. 30" (762 mm) cabinet minimum



Cutout Dimension
28 7/16" x 15 9/16" (722.31 x 395.27 mm)

- A. 6" (152.40 mm)
- B. Suggested electrical outlet location*
- C. Anti-Tip block
- D. 5" (127 mm)
- E. 3-1/2" (88.90 mm)
- F. 4" (101.60 mm)
- G. 28-7/16" (722.31 mm) opening
- H. 14-13/16" (376.24 mm) to bottom of Anti-Tip block
- I. Allow 3/4" (19.05 mm) overlap
- J. 23-1/2" (596.9 mm) minimum depth
- K. Allow 3/16" (4.76 mm) overlap
- L. 36" (914.4 mm) countertop height
- M. Allow 7/16" (11.09 mm) overlap
- N. Floor must support 100 lb (45.4 kg)
- O. 30" (762 mm) cabinet minimum
- P. 15-9/16" (395.27 mm) opening



- A. 21-5/8" (549.28 mm)
- B. 4-11/16" (119.06 mm)
- C. 1-3/4" (44.45 mm)
- D. 21-7/8" (555.63 mm)
- E. 29-7/8" (759 mm)
- F. 15-7/8" (403 mm)
- G. 14-19/32" (370.68 mm)
- H. 1-9/64" (29 mm) door thickness
- I. 15" (381 mm) auto drawer opening
- J. 4" (101.6 mm)